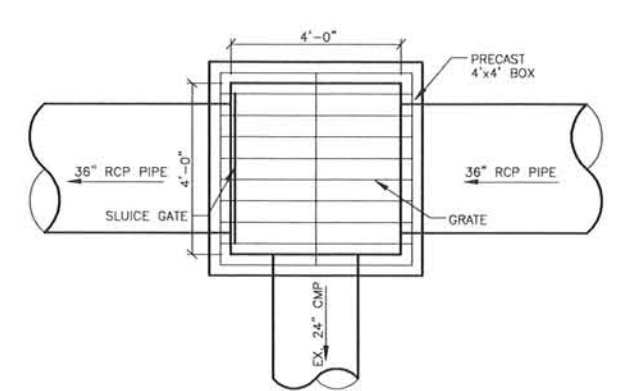
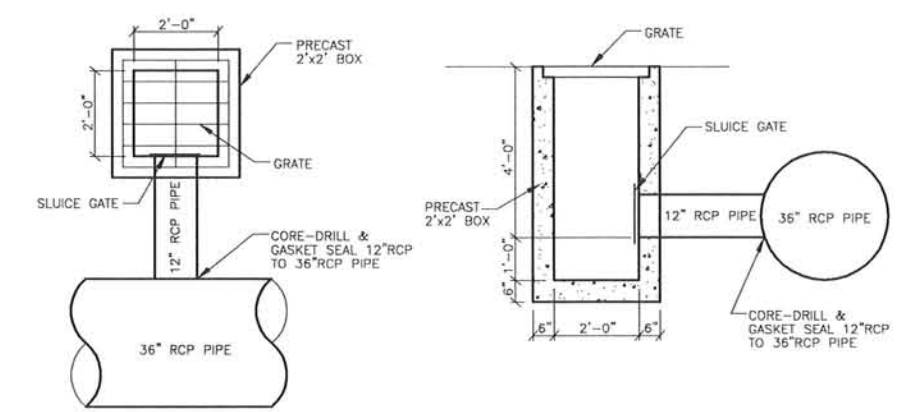
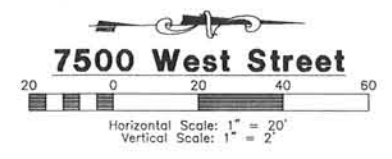


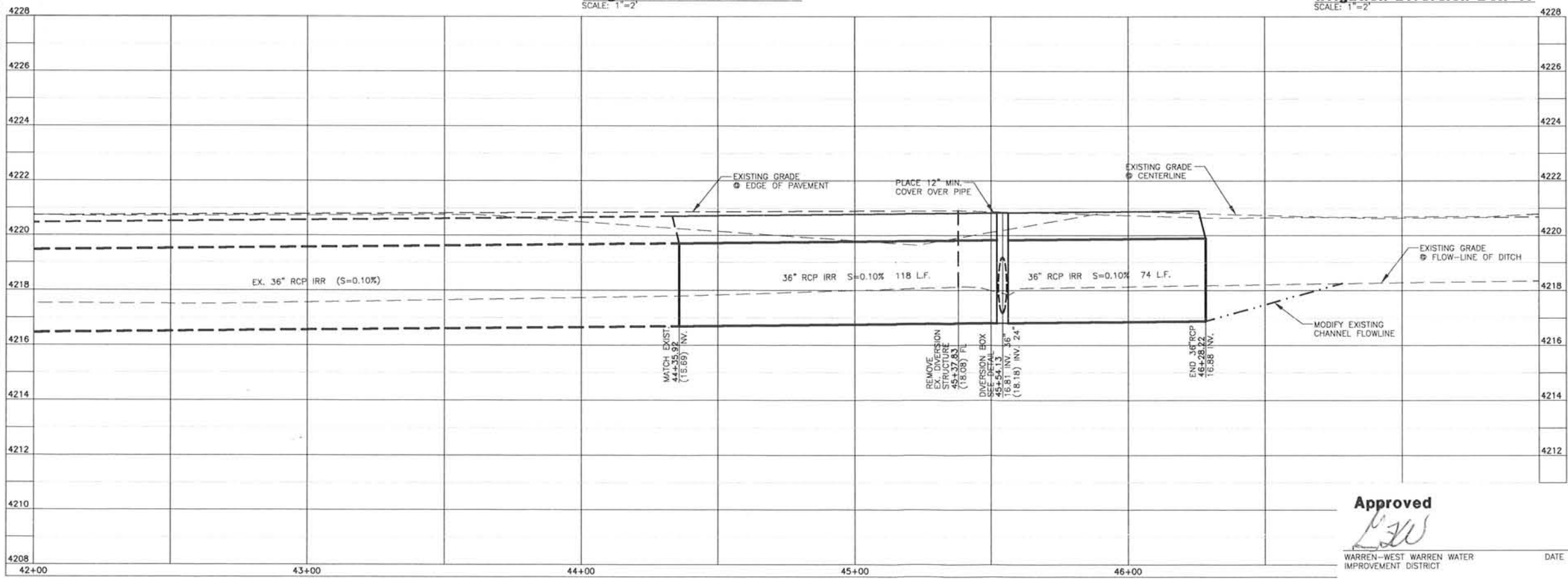
Typical Road Section
SCALE: NONE



Irrigation Diversion Box 'B'
SCALE: 1" = 2'



Irrigation Diversion Box 'A'
SCALE: 1" = 2'



Approved
[Signature]
WARREN-WEST WARREN WATER
IMPROVEMENT DISTRICT

Blue Stakes Location Center
Call Toll Free
1-800-662-4111
Two Working Days Before You Dig

Reeve & Associates, Inc.
RA

REVISIONS	DESCRIPTION
DATE	

Lindsley Ranch Subdivision
WEBER COUNTY, UTAH
7500 West Street
42+00.00 - 47+50.00



Project Info.
Engineer: J. NATE REEVE, P.E.
Draftsman: R. HANSEN
Begin Date: JULY 19, 2011
Name: LINDSLEY RANCH SUBDIVISION
Number: 5363-01

Sheet **1** of **1** Sheets