



Land Use Permit

Permit Number: LUP396-2016

Applicant

Name: Mark Meakins

Address: 448 S 8600 E

Phone:

Owner

Name:

Address:

Phone:

Parcel

Parcel Number: 210260089

Total Parcel Area: 5.43

Address: 448 S 8600 E

Huntsville 84317

SE 1/4 Section: 17

Township: 6N

Range: 2E

Subdivision: Mc Clurg Sub

Lot(s): 1

Zoning: AV-3

(*If Zoned S-1, See Specific Height Requirements)

****See Diagram on Back Side for Setbacks**

Proposed Structure: Agriculture Outbuilding

Structure Area Used: 154

Is Structure > 1,000 Sq. Ft.?

*If True, Need Certif. Statement

of Dwelling Units: 1

of Accessory Bldgs: 3

Off-Street Parking Req'd:



Permit Checklist:

Public by/Right of Use Road?

> 200 ft. from Paved Road?

< 4218 ft. above Sea Level?

Culvert Required?

***Any Work in the Right of Way requires an Excavation Permit**

Additional Frontage Req'd.?

Meet Zone Area & Frontage?

Culinary Water District:

Wetlands/Flood Zone?

If Yes, Culvert Size:

OR Special Exception?

Hillside Review Req'd.?

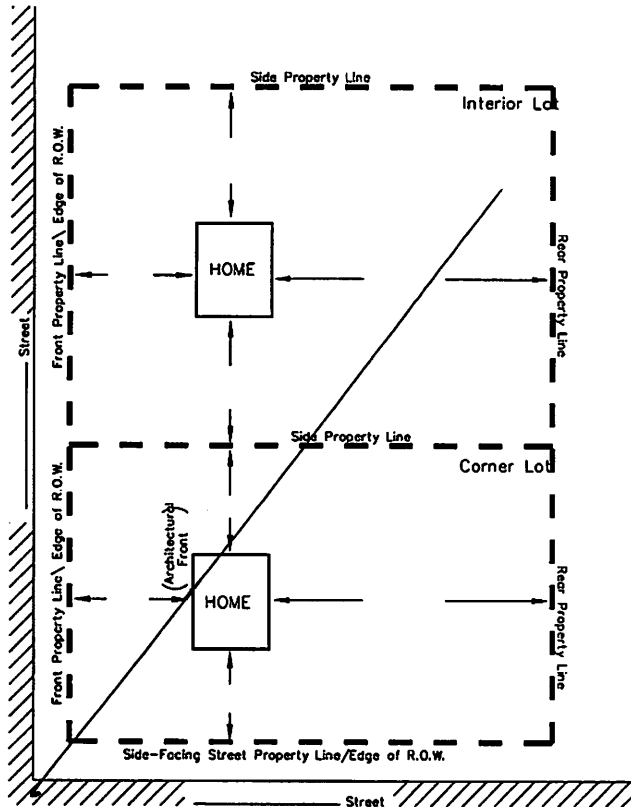
Waste Water System:

Case #

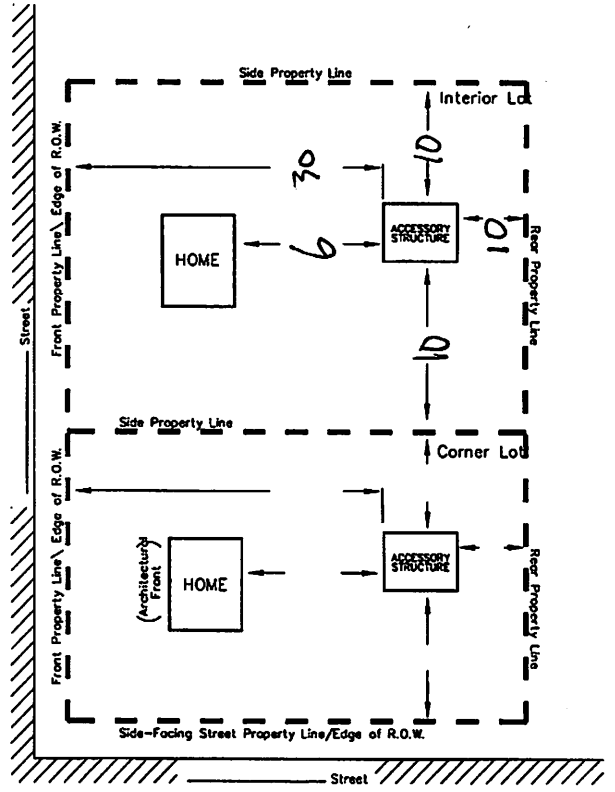
Case #

Comments: 154 sq ft storage grain mill bin structure for garden

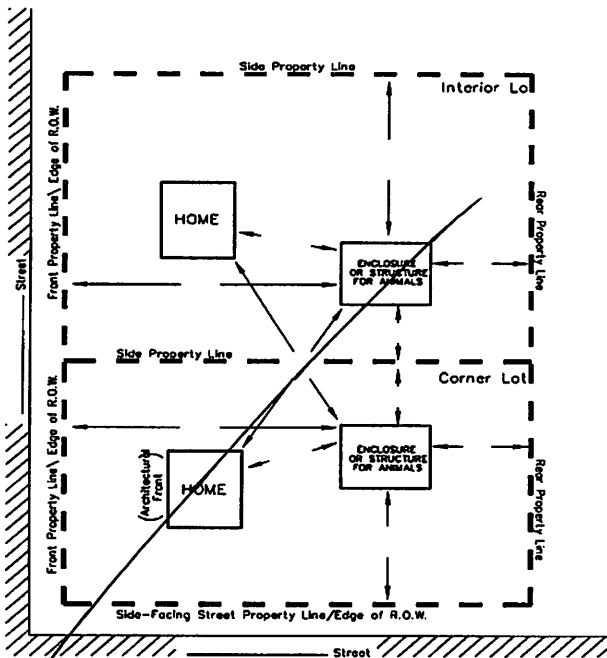
Structure Setback Graphic:



MINIMUM YARD SETBACKS
New Dwelling, Addition, Etc.



MINIMUM YARD SETBACKS
Storage Shed, Detached Garage, Etc.



MINIMUM YARD SETBACKS
Barn, Corral, or Stable

NOTICE FOR APPLICANT (Please Read Before Signing)

Proposals for the installation of an individual water supply and for a sanitary waste disposal system (septic tank) for any structure designed for human occupation must be approved by the Weber County Health Department prior to installation.

[Signature] 5-26-2016
 Planning Dept. Signature of Approval Date

This permit becomes null and void if use or construction authorized has not commenced within 180 days or if there is a zone change affecting this property. I hereby certify that I have read and examined this application and know the same to be true and correct. All provisions of laws and ordinances governing this land use will be complied with whether specified herein or not. I make this statement under penalty of perjury. I hereby agree to make the requirements as specified on this permit issued to the owner of land as signed below.

 Contractor/Owner Signature of Approval Date