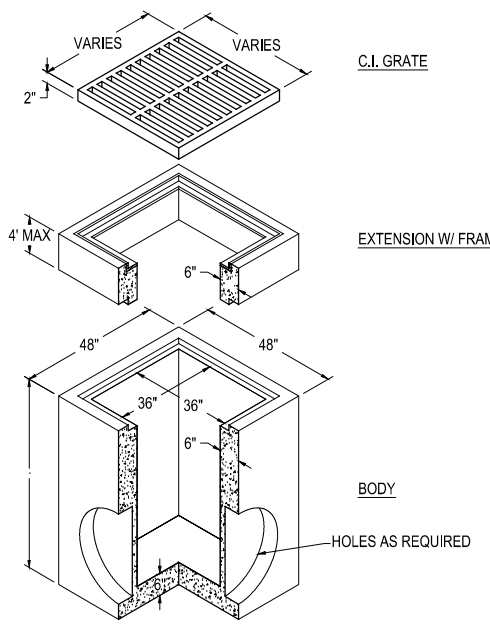
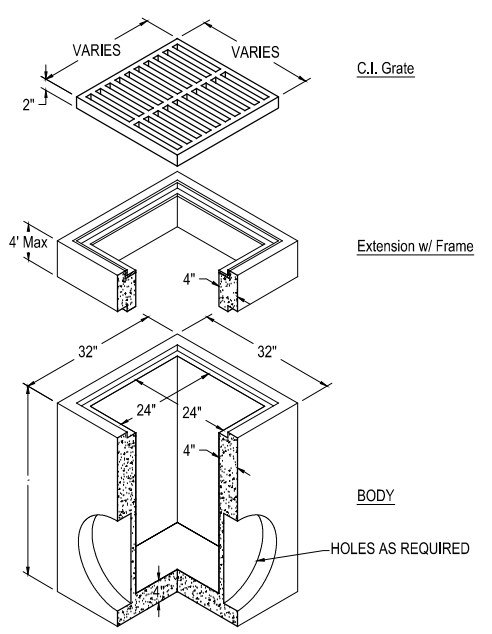


- NOTES:
- CATCH BASIN SHALL MEET ASTM C858 WITH AASHTO HS-20 LOADING.
 - INSTALL ON STABLE FOUNDATION AND 6" OF 1" MAX. CRUSHED ROCK.

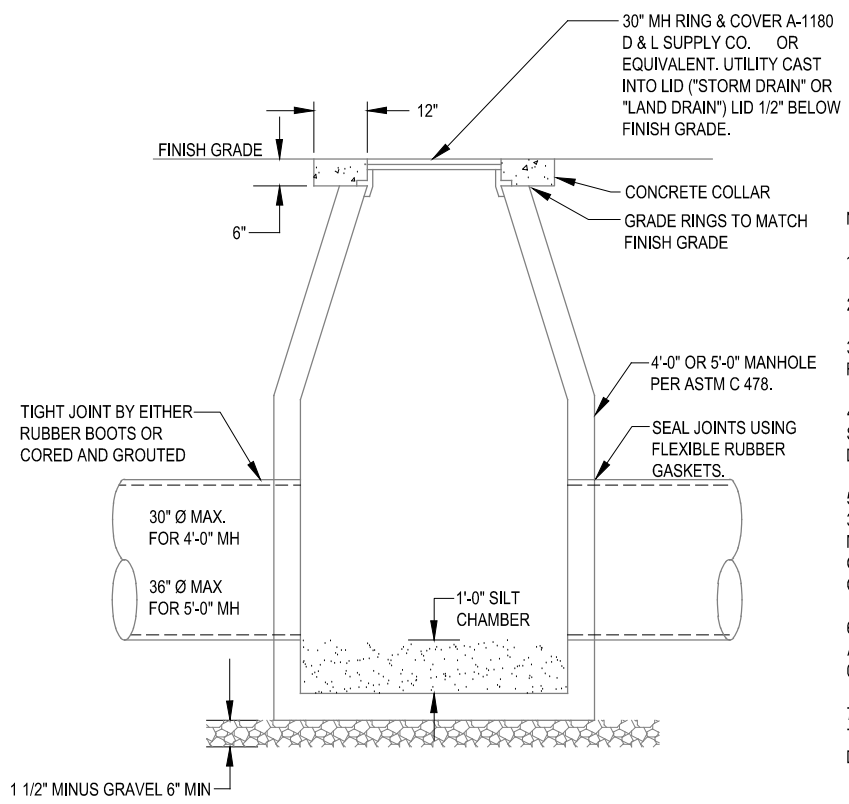
A 4' X 4' PRECAST CONCRETE STORM DRAIN BOX
CU506 / SCALE: NONE



B 3' x 3' CONCRETE CATCH BASIN
CU506 / SCALE: NONE

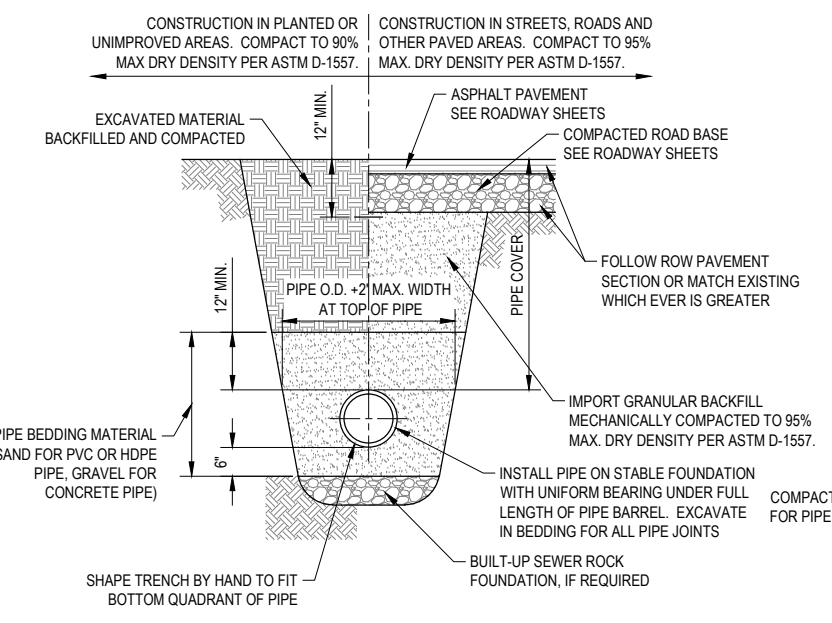


C 2' x 2' CONCRETE CATCH BASIN
CU506 / SCALE: NONE

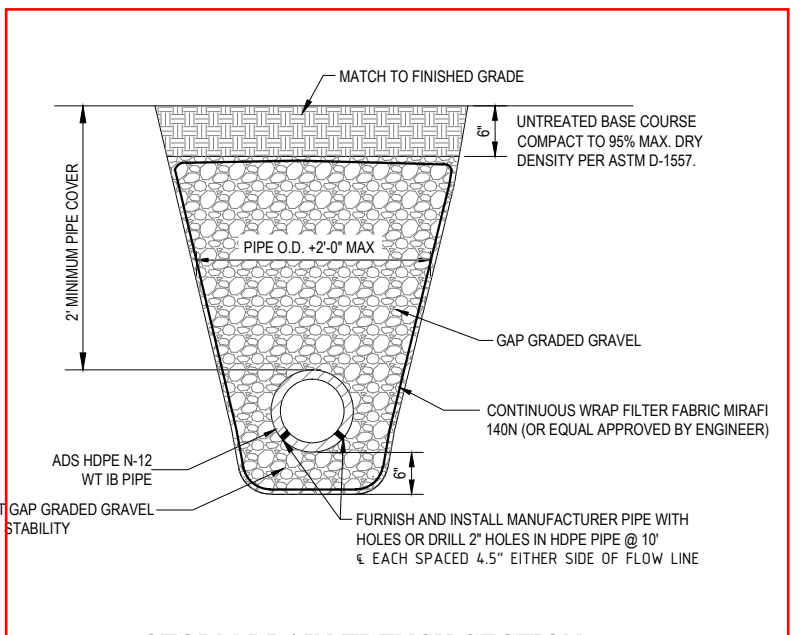


D STORM DRAIN MANHOLE
CU506 / SCALE: NONE

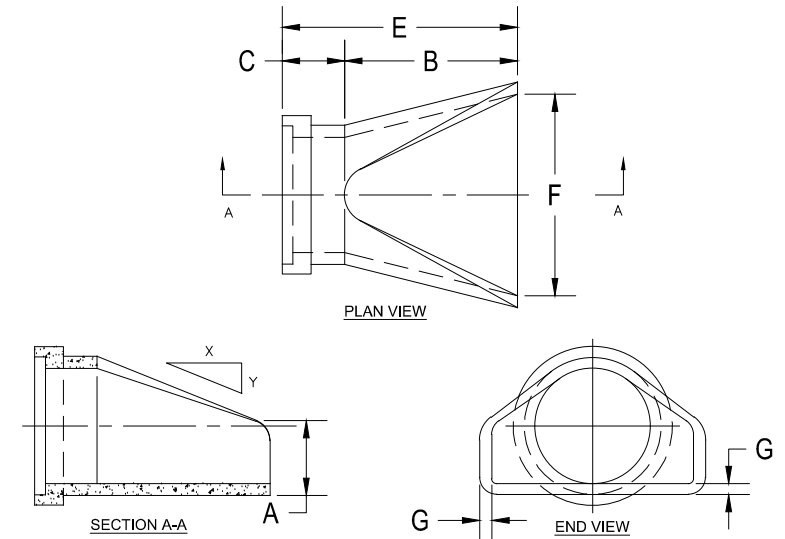
- NOTES:
- HEIGHT VARIES.
 - USE CONCENTRIC CONES.
 - FOR SHALLOW APPLICATIONS REPLACE CONES WITH FLAT LIDS AND GRADE RINGS (HS-20 TRAFFIC LOAD RATED.)
 - JUNCTION BOXES MAY BE SUBSTITUTED FOR MANHOLES. SUBMIT BOX DESIGN WITH STAMPED ENGINEERING LOAD DESIGN CALCULATION FOR HS-20 TRAFFIC LOAD.
 - BACKFILL: PROVIDE AND PLACE PER APWA SECTION 31 23 23. COMPACT PER APWA SECTION 31 23 26 TO A MODIFIED PROCTOR DENSITY OF 95-PERCENT OR GREATER. MAXIMUM LIFT THICKNESS IS 8-INCHES BEFORE COMPACTION.
 - CONCRETE: CLASS 4000 PER APWA 03 30 04. PLACE PER APWA SECTION 03 30 10. CURE PER APWA SECTION 03 39 00.
 - ALL MANHOLE LIDS ARE TO BE FLAT (WITH NO RIBS) WITH THE UTILITY NAME CAST INTO THE MANHOLE (I.E. "STORM DRAIN", "SEWER", "WATER", "LAND DRAIN" ETC.)



E TYPICAL TRENCH DETAIL
CU506 / SCALE: NONE

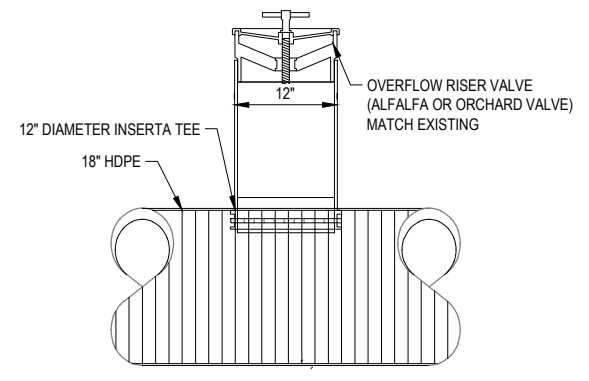


F STORM DRAIN TRENCH SECTION SHOULDER OF ROAD
CU506 / SCALE: NONE



DIMENSIONS							
DIAMETER	SLOPE - X:Y	A	B	C	E	F	G
12"	2.4:1	4"	24"	48 3/4"	72 3/4"	24"	2"
15"	2.4:1	6"	27"	46"	73"	30"	2 1/2"
24"	2.5:1	9 1/2"	43 1/2"	30"	73 1/2"	48"	3"

G FLARED END SECTION
CU506 / SCALE: NONE



H IRRIGATION RISER
CU506 / SCALE: NONE

NO.	REVISION	DATE

IF THE ABOVE SCALE BAR DOES NOT MEASURE 1-INCH IN LENGTH, DO NOT USE THIS DRAWING FOR SCALING PURPOSES. DIMENSIONS AND MEASUREMENTS SPECIFIED IN THE DRAWING TAKE PRECEDENCE TO SCALED MEASUREMENTS.

THE INFORMATION CONTAINED IN THIS DRAWING IS THE PROPERTY OF CRS ENGINEERS AND IS NOT TO BE REPRODUCED, MODIFIED OR USED FOR ANY OTHER PROJECT OR EXTENSION OF THIS PROJECT EXCEPT BY AGREEMENT WITH CRS ENGINEERS.

© 2015

PRINCIPAL: M. HIRST
PROJECT MANAGER: G. MYERS
CHECKED BY: M. PORTER
DRAWN BY: K. ACHTER
DRAWING SCALE: AS SHOWN
ISSUE DATE: 12-09-15

CRS CALDWELL RICHARDS SORENSEN
ANSWERS TO INFRASTRUCTURE

FARMINGTON OFFICE:
PO Box 280
160 S MAIN, STE. 200
FARMINGTON, UTAH 84025
PHONE: 801.939.5565
FAX: 801.359.4272
www.crsengineers.com

WEBER COUNTY
12TH STREET CORRIDOR DESIGN
SEGMENT 1
UTILITY DETAILS

SHEETS ARE DRAWN ON A 22X34 SHEET; ANY REPRODUCTIONS MADE NOT AT THIS SIZE SCALE SHOULD BE VERIFIED

OGDEN, UTAH

PROJECT NUMBER: 14132F
SHEET: 79 OF 95
SHEET NUMBER: CU506

P:14132F Weber County-Survey and ROW 1200 South OgdenDrawings\XR-C-DETAILS STORM DRAIN.dwg, 12/9/2015 8:05:25 AM, mporter