



**General Notes:**

- ALL CONSTRUCTION MUST STRICTLY FOLLOW THE STANDARDS AND SPECIFICATIONS SET FORTH BY: GOVERNING UTILITY MUNICIPALITY, GOVERNING CITY OR COUNTY (IF UNINCORPORATED), INDIVIDUAL PRODUCT MANUFACTURERS, AMERICAN PUBLIC WORKS ASSOCIATION (APWA), AND THE DESIGN ENGINEER. THE ORDER LISTED ABOVE IS ARRANGED BY SENIORITY. IF A CONSTRUCTION PRACTICE IS NOT SPECIFIED BY ANY OF THE LISTED SOURCES, CONTRACTOR MUST CONTACT DESIGN ENGINEER FOR DIRECTION.
- CONTRACTOR TO STRICTLY FOLLOW GEOTECHNICAL RECOMMENDATIONS FOR THIS PROJECT. ALL GRADING INCLUDING BUT NOT LIMITED TO CUT, FILL, COMPACTION, ASPHALT SECTION, SUBBASE, TRENCH EXCAVATION/BACKFILL, SITE GRUBBING, RETAINING WALLS AND FOOTINGS MUST BE COORDINATED DIRECTLY WITH THE PROJECT GEOTECHNICAL ENGINEER.
- TRAFFIC CONTROL, STRIPING & SIGNAGE TO CONFORM TO CURRENT GOVERNING AGENCIES TRANSPORTATION ENGINEER'S MANUAL AND MANUAL OF UNIFORM TRAFFIC CONTROL DEVICES.
- ANY AREA OUTSIDE THE LIMIT OF WORK THAT IS DISTURBED SHALL BE RESTORED TO ITS ORIGINAL CONDITION AT NO COST TO OWNER.
- CONSULT ALL OF THE DRAWINGS AND SPECIFICATIONS FOR COORDINATION REQUIREMENTS BEFORE COMMENCING CONSTRUCTION.
- AT ALL LOCATIONS WHERE EXISTING PAVEMENT ABUTS NEW CONSTRUCTION, THE EDGE OF THE EXISTING PAVEMENT SHALL BE SAWCUT TO A CLEAN, SMOOTH EDGE.
- ALL CONSTRUCTION AND MATERIALS SHALL BE IN ACCORDANCE WITH THE MOST RECENT, ADOPTED EDITION OF ADA ACCESSIBILITY GUIDELINES.
- PRIOR TO STARTING CONSTRUCTION, THE CONTRACTOR SHALL BE RESPONSIBLE FOR MAKING SURE THAT ALL REQUIRED PERMITS AND APPROVALS HAVE BEEN OBTAINED. NO CONSTRUCTION OR FABRICATION SHALL BEGIN UNTIL THE CONTRACTOR HAS RECEIVED THOROUGHLY REVIEWED PLANS AND OTHER DOCUMENTS APPROVED BY ALL OF THE PERMITTING AUTHORITIES.
- CONTRACTOR IS RESPONSIBLE FOR SCHEDULING AND NOTIFYING ENGINEER OR INSPECTING AUTHORITY 48 HOURS IN ADVANCE OF COVERING UP ANY PHASE OF CONSTRUCTION REQUIRING OBSERVATION.
- ANY WORK IN THE PUBLIC RIGHT-OF-WAY WILL REQUIRE PERMITS FROM THE APPROPRIATE CITY, COUNTY OR STATE AGENCY CONTROLLING THE ROAD, INCLUDING OBTAINING REQUIRED INSPECTIONS.
- ALL DIMENSIONS, GRADES & UTILITY DESIGNS SHOWN ON THE PLANS SHALL BE VERIFIED BY THE CONTRACTOR PRIOR TO CONSTRUCTION. CONTRACTOR SHALL NOTIFY ENGINEER OF ANY DISCREPANCIES PRIOR TO PROCEEDING WITH CONSTRUCTION FOR NECESSARY PLAN OR GRADE CHANGES.
- CONTRACTOR MUST VERIFY ALL EXISTING CONDITIONS BEFORE BIDDING AND BRING UP ANY QUESTIONS BEFOREHAND.
- SITE GRADING SHALL BE PERFORMED IN ACCORDANCE WITH THESE PLANS AND SPECIFICATIONS AND THE RECOMMENDATIONS SET FORTH BY THE GEOTECHNICAL ENGINEER.
- CATCH SLOPES SHALL BE GRADED AS SPECIFIED ON GRADING PLANS.
- CONTRACTOR SHALL BE RESPONSIBLE FOR ALL FLAGGING, CAUTION SIGNS, LIGHTS, BARRICADES, FLAGMEN, AND ALL OTHER DEVICES NECESSARY FOR PUBLIC SAFETY.
- CONTRACTOR SHALL, AT THE TIME OF BIDDING AND THROUGHOUT THE PERIOD OF THE CONTRACT, BE LICENSED IN THE STATE WHERE THE PROJECT IS LOCATED AND SHALL BE BONDABLE FOR AN AMOUNT EQUAL TO OR GREATER THAN THE AMOUNT BID AND TO DO THE TYPE OF WORK CONTEMPLATED IN THE PLANS AND SPECIFICATIONS. CONTRACTOR SHALL BE SKILLED AND REGULARLY ENGAGED IN THE GENERAL CLASS AND TYPE OF WORK CALLED FOR IN THE PLANS AND SPECIFICATIONS.
- CONTRACTOR SHALL INSPECT THE SITE OF THE WORK PRIOR TO BIDDING TO SATISFY HIMSELF BY PERSONAL EXAMINATION OR BY SUCH OTHER MEANS AS HE MAY PREFER OF THE LOCATIONS OF THE PROPOSED WORK AND OF THE ACTUAL CONDITIONS OF AND AT THE PLACE OF WORK. IF, DURING THE COURSE OF HIS EXAMINATION, A BIDDER FINDS FACTS OR CONDITIONS WHICH APPEAR TO HIM TO BE IN CONFLICT WITH THE LETTER OR SPIRIT OF THE PROJECT PLANS AND SPECIFICATIONS, HE SHALL CONTACT THE ENGINEER FOR ADDITIONAL INFORMATION AND EXPLANATION BEFORE SUBMITTING HIS BID. SUBMISSION OF A BID BY THE CONTRACTOR SHALL CONSTITUTE ACKNOWLEDGMENT THAT, IF AWARDED THE CONTRACT, HE HAS RELIED AND IS RELYING ON HIS OWN EXAMINATION OF (1) THE SITE OF THE WORK, (2) ACCESS TO THE SITE, AND (3) ALL OTHER DATA AND MATTERS REQUISITE TO THE FULFILLMENT OF THE WORK AND ON HIS OWN KNOWLEDGE OF EXISTING FACILITIES ON AND IN THE VICINITY OF THE SITE OF THE WORK TO BE CONSTRUCTED UNDER THIS CONTRACT. THE INFORMATION PROVIDED BY THE ENGINEER IS NOT INTENDED TO BE A SUBSTITUTE FOR, OR A SUPPLEMENT TO, THE INDEPENDENT VERIFICATION BY THE CONTRACTOR TO THE EXTENT SUCH INDEPENDENT INVESTIGATION OF SITE CONDITIONS IS DEEMED NECESSARY OR DESIRABLE BY THE CONTRACTOR. CONTRACTOR SHALL ACKNOWLEDGE THAT HE HAS NOT RELIED SOLELY UPON OWNER- OR ENGINEER-FURNISHED INFORMATION REGARDING SITE CONDITIONS IN PREPARING AND SUBMITTING HIS BID.
- CONTRACTOR SHALL BE RESPONSIBLE TO PROVIDE ALL WATER, POWER, SANITARY FACILITIES AND TELEPHONE SERVICES AS REQUIRED FOR THE CONTRACTOR'S USE DURING CONSTRUCTION.
- CONTRACTOR SHALL BE HELD RESPONSIBLE FOR ANY FIELD CHANGES MADE WITHOUT PRIOR WRITTEN AUTHORIZATION FROM THE OWNER, ENGINEER, AND/OR GOVERNING AGENCIES.
- CONTRACTOR SHALL EXERCISE DUE CAUTION AND SHALL CAREFULLY PRESERVE BENCH MARKS, CONTROL POINTS, REFERENCE POINTS AND ALL SURVEY STAKES, AND SHALL BEAR ALL EXPENSES FOR REPLACEMENT AND/OR ERRORS CAUSED BY THEIR UNNECESSARY LOSS OR DISTURBANCE.
- CONTRACTOR SHALL ASSUME SOLE AND COMPLETE RESPONSIBILITY FOR JOBSITE CONDITIONS DURING THE COURSE OF CONSTRUCTION OF THIS PROJECT, INCLUDING SAFETY OF ALL PERSONS AND PROPERTY. THIS REQUIREMENT SHALL APPLY CONTINUOUSLY AND NOT BE LIMITED TO NORMAL WORKING HOURS. THE CONTRACTOR SHALL DEFEND, INDEMNIFY AND HOLD THE OWNER AND ENGINEER HARMLESS FROM ANY AND ALL LIABILITY, REAL OR ALLEGED, IN CONNECTION WITH THE PERFORMANCE OF WORK ON THIS PROJECT, EXCEPTING FOR LIABILITY ARISING FROM THE SOLE NEGLIGENCE OF THE OWNER OR THE ENGINEER.
- CONTRACTOR SHALL BE RESPONSIBLE FOR ADEQUATELY SCHEDULING INSPECTION AND TESTING OF ALL FACILITIES CONSTRUCTED UNDER THIS CONTRACT. ALL TESTING SHALL CONFORM TO THE REGULATORY AGENCY'S STANDARD SPECIFICATIONS. ALL TESTING AND INSPECTION SHALL BE PAID FOR BY THE OWNER; ALL RE-TESTING AND/OR RE-INSPECTION SHALL BE PAID FOR BY THE CONTRACTOR.
- IF EXISTING IMPROVEMENTS NEED TO BE DISTURBED AND/OR REMOVED FOR THE PROPER PLACEMENT OF IMPROVEMENTS TO BE CONSTRUCTED BY THESE PLANS, THE CONTRACTOR SHALL BE RESPONSIBLE FOR PROTECTING EXISTING IMPROVEMENTS FROM DAMAGE. COST OF REPLACING OR REPAIRING EXISTING IMPROVEMENTS SHALL BE INCLUDED IN THE UNIT PRICE BID FOR ITEMS REQUIRING REMOVAL AND/OR REPLACEMENT. THERE WILL BE NO EXTRA COST DUE TO THE CONTRACTOR FOR REPLACING OR REPAIRING EXISTING IMPROVEMENTS.
- WHENEVER EXISTING FACILITIES ARE REMOVED, DAMAGED, BROKEN, OR CUT IN THE INSTALLATION OF THE WORK COVERED BY THESE PLANS OR SPECIFICATIONS, SAID FACILITIES SHALL BE REPLACED AT THE CONTRACTOR'S EXPENSE WITH MATERIALS EQUAL TO OR BETTER THAN THE MATERIALS USED IN THE ORIGINAL EXISTING FACILITIES. THE FINISHED PRODUCT SHALL BE SUBJECT TO THE APPROVAL OF THE OWNER, THE ENGINEER, AND THE RESPECTIVE REGULATORY AGENCY.
- CONTRACTOR SHALL MAINTAIN A NEATLY MARKED SET OF FULL-SIZE AS-BUILT RECORD DRAWINGS SHOWING THE FINAL LOCATION AND LAYOUT OF ALL STRUCTURES AND OTHER FACILITIES. AS-BUILT RECORD DRAWINGS SHALL REFLECT CHANGE ORDERS, ACCOMMODATIONS, AND ADJUSTMENTS TO ALL IMPROVEMENTS CONSTRUCTED, WHERE NECESSARY. SUPPLEMENTAL DRAWINGS SHALL BE PREPARED AND SUBMITTED BY THE CONTRACTOR. PRIOR TO ACCEPTANCE OF THE PROJECT, THE CONTRACTOR SHALL DELIVER TO THE ENGINEER ONE SET OF NEATLY MARKED AS-BUILT RECORD DRAWINGS SHOWING THE INFORMATION REQUIRED ABOVE. AS-BUILT RECORD DRAWINGS SHALL BE REVIEWED AND THE COMPLETE AS-BUILT RECORD DRAWING SET SHALL BE CURRENT WITH ALL CHANGES AND DEVIATIONS REDLINED AS A PRECONDITION TO THE FINAL PROGRESS PAYMENT APPROVAL AND/OR FINAL ACCEPTANCE.
- WHERE THE PLANS OR SPECIFICATIONS DESCRIBE PORTIONS OF THE WORK IN GENERAL TERMS BUT NOT IN COMPLETE DETAIL, IT IS UNDERSTOOD THAT ONLY THE BEST GENERAL PRACTICE IS TO PREVAIL AND THAT ONLY MATERIALS AND WORKMANSHIP OF THE HIGHEST QUALITY ARE TO BE USED.
- CONTRACTOR SHALL BE SKILLED AND REGULARLY ENGAGED IN THE GENERAL CLASS AND TYPE OF WORK CALLED FOR IN THE PROJECT PLANS AND SPECIFICATIONS. THEREFORE, THE OWNER IS RELYING UPON THE EXPERIENCE AND EXPERTISE OF THE CONTRACTOR. PRICES PROVIDED WITHIN THE CONTRACT DOCUMENTS SHALL INCLUDE ALL LABOR AND MATERIALS NECESSARY AND PROPER FOR THE WORK CONTEMPLATED AND THAT THE WORK BE COMPLETED IN ACCORDANCE WITH THE TRUE INTENT AND PURPOSE OF THESE PLANS AND SPECIFICATIONS. THE CONTRACTOR SHALL BE COMPETENT, KNOWLEDGEABLE AND HAVE SPECIAL SKILLS IN THE NATURE, EXTENT AND INHERENT CONDITIONS OF THE WORK TO BE PERFORMED. CONTRACTOR SHALL ALSO ACKNOWLEDGE THAT THERE ARE CERTAIN PECULIAR AND INHERENT CONDITIONS EXISTENT IN THE CONSTRUCTION OF THE PARTICULAR FACILITIES WHICH MAY CREATE, DURING THE CONSTRUCTION PROGRAM, UNUSUAL OR UNSAFE CONDITIONS HAZARDOUS TO PERSONS, PROPERTY AND THE ENVIRONMENT. CONTRACTOR SHALL BE AWARE OF SUCH PECULIAR RISKS AND HAVE THE SKILL AND EXPERIENCE TO FORESEE AND TO ADOPT PROTECTIVE MEASURES TO ADEQUATELY AND SAFELY PERFORM THE CONSTRUCTION WORK WITH RESPECT TO SUCH HAZARDS.
- CONTRACTOR SHALL BE RESPONSIBLE FOR THE REMOVAL OF ALL STRIPING AND/OR PAVEMENT MARKINGS NECESSARY TO THE EXISTING STRIPING INTO FUTURE STRIPING. METHOD OF REMOVAL SHALL BE BY GRINDING OR SANDBLASTING.
- CONTRACTOR SHALL PROVIDE ALL SHORING, BRACING, SLOPING OR OTHER PROVISIONS NECESSARY TO PROTECT WORKMEN FOR ALL AREAS TO BE EXCAVATED TO A DEPTH OF 4 FEET OR MORE. FOR EXCAVATIONS 4 FEET OR MORE IN DEPTH, THE CONTRACTOR SHALL COMPLY WITH LOCAL, STATE AND NATIONAL SAFETY CODES, ORDINANCES, OR REQUIREMENTS FOR EXCAVATION AND TRENCHES.
- ALL EXISTING GATES AND FENCES TO REMAIN UNLESS OTHERWISE NOTED ON PLANS. PROTECT ALL GATES AND FENCES FROM DAMAGE

**Utility Notes:**

- CONTRACTOR SHALL COORDINATE LOCATION OF NEW "DRY UTILITIES" WITH THE APPROPRIATE UTILITY COMPANY, INCLUDING BUT NOT LIMITED TO: TELEPHONE SERVICE, GAS SERVICE, CABLE, POWER, INTERNET.
- EXISTING UTILITIES HAVE BEEN SHOWN ON THE PLANS USING A COMBINATION OF ON-SITE SURVEYS (BY OTHERS), PRIOR TO COMMENCING ANY WORK, IT SHALL BE THE CONTRACTOR'S RESPONSIBILITY TO HAVE EACH UTILITY COMPANY LOCATE IN THE FIELD, THEIR MAIN AND SERVICE LINES 48 HOURS IN ADVANCE OF PERFORMING ANY EXCAVATION WORK. THE CONTRACTOR SHALL RECORD THE BLUE STAKES ORDER NUMBER AND FURNISH ORDER NUMBER TO OWNER AND ENGINEER PRIOR TO ANY EXCAVATION. IT WILL BE THE CONTRACTOR'S SOLE RESPONSIBILITY TO DIRECTLY CONTACT ANY OTHER UTILITY COMPANIES THAT ARE NOT MEMBERS OF BLUE STAKES. IT SHALL BE THE CONTRACTOR'S SOLE RESPONSIBILITY TO PROTECT ALL EXISTING UTILITIES SO THAT NO DAMAGE RESULTS TO THEM DURING THE PERFORMANCE OF THIS CONTRACT. ANY REPAIRS NECESSARY TO DAMAGED UTILITIES SHALL BE PAID FOR BY THE CONTRACTOR. THE CONTRACTOR SHALL BE REQUIRED TO COOPERATE WITH OTHER CONTRACTORS AND UTILITY COMPANIES INSTALLING NEW STRUCTURES, UTILITIES AND SERVICE TO THE PROJECT.
- CONTRACTOR SHALL POT HOLE ALL UTILITIES TO DETERMINE IF CONFLICTS EXIST PRIOR TO BEGINNING ANY EXCAVATION. NOTIFY ENGINEER OF ANY CONFLICTS. CONTRACTOR SHALL VERIFY LOCATION AND INVERTS OF EXISTING UTILITIES TO WHICH NEW UTILITIES WILL BE CONNECTED. PRIOR TO COMMENCING ANY EXCAVATION WORK THE CONTRACTOR SHALL NOTIFY ALL UTILITY COMPANIES IN ACCORDANCE WITH THE REQUIRED PROCEDURES.
- CARE SHOULD BE TAKEN IN ALL EXCAVATIONS DUE TO POSSIBLE EXISTENCE OF UNRECORDED UTILITY LINES. EXCAVATION REQUIRED WITHIN PROXIMITY OF EXISTING UTILITY LINES SHALL BE DONE BY HAND. CONTRACTOR SHALL REPAIR ANY DAMAGE TO EXISTING UTILITY LINES OR STRUCTURES INCURRED DURING CONSTRUCTION OPERATIONS AT HIS EXPENSE.
- ALL VALVES AND MANHOLE COVERS SHALL BE RAISED OR LOWERED TO MEET FINISHED GRADE.
- CONTRACTOR SHALL CUT PIPES OFF FLUSH WITH THE INSIDE WALL OF THE BOX OR MANHOLE.
- CONTRACTOR SHALL GROUT AT CONNECTION OF PIPE TO BOX WITH NON-SHRINKING GROUT, INCLUDING PIPE VOIDS LEFT BY CUTTING PROCESS, TO A SMOOTH FINISH.
- CONTRACTOR SHALL GROUT WITH NON-SHRINKING GROUT BETWEEN GRADE RINGS AND BETWEEN BOTTOM OF INLET LID FRAME AND TOP OF CONCRETE BOX.
- SILT AND DEBRIS IS TO BE CLEANED OUT OF ALL STORM DRAIN BOXES. CATCH BASINS ARE TO BE MAINTAINED IN A CLEANED CONDITION AS NEEDED UNTIL AFTER THE FINAL BOND RELEASE INSPECTION.
- CONTRACTOR SHALL CLEAN ASPHALT, TAR OR OTHER ADHESIVES OFF OF ALL MANHOLE LIDS AND INLET GRATES TO ALLOW ACCESS.
- EACH TRENCH SHALL BE EXCAVATED SO THAT THE PIPE CAN BE LAID TO THE ALIGNMENT AND GRADE AS REQUIRED. THE TRENCH WALL SHALL BE SO BRACED THAT THE WORKMEN MAY WORK SAFELY AND EASILY. ALL TRENCHES SHALL BE DRAINED SO THE PIPE LAYING MAY TAKE PLACE IN DE-WATERED CONDITIONS.
- CONTRACTOR SHALL PROVIDE AND MAINTAIN AT ALL TIMES AMPLE MEANS AND DEVICES WITH WHICH TO REMOVE PROMPTLY AND TO PROPERLY DISPOSE OF ALL WATER ENTERING THE TRENCH EXCAVATION.
- MAINTAIN A MINIMUM 18" VERTICAL SEPARATION DISTANCE BETWEEN ALL UTILITY CROSSINGS.
- CONTRACTOR SHALL START INSTALLATION AT LOW POINT OF ALL NEW GRAVITY UTILITY LINES.
- ALL BOLTED FITTINGS MUST BE GREASED AND WRAPPED.
- UNLESS SPECIFICALLY NOTED OTHERWISE, MAINTAIN AT LEAST 2 FEET OF COVER OVER ALL STORM DRAIN LINES AT ALL TIMES (INCLUDING DURING CONSTRUCTION).
- ALL WATER LINES SHALL BE INSTALLED A MINIMUM OF 60" BELOW FINISHED GRADE.
- ALL SEWER LINES AND SEWER SERVICES SHALL HAVE A MINIMUM SEPARATION OF 10 FEET, PIPE EDGE TO PIPE EDGE, FROM THE WATER LINES. IF A 10 FOOT SEPARATION CAN NOT BE MAINTAINED, THE SEWER LINE AND WATER LINE SHALL BE LAID IN SEPARATE TRENCHES AND THE BOTTOM OF THE WATER LINE SHALL BE AT LEAST 18" ABOVE THE TOP OF THE SEWER LINE.
- CONTRACTOR SHALL INSTALL THRUST BLOCKING AT ALL WATERLINE ANGLE POINTS AND TEES.
- ALL UNDERGROUND UTILITIES SHALL BE IN PLACE PRIOR TO INSTALLATION OF CURB, GUTTER, SIDEWALK AND STREET PAVING.
- CONTRACTOR SHALL INSTALL MAGNETIC LOCATING TAPE CONTINUOUSLY OVER ALL NONMETALLIC PIPE.

**Erosion Control General Notes:**

THE CONTRACTOR TO USE BEST MANAGEMENT PRACTICES FOR PROVIDING EROSION CONTROL FOR CONSTRUCTION OF THIS PROJECT. ALL MATERIAL AND WORKMANSHIP SHALL CONFORM TO GOVERNING AGENCIES ORDINANCES AND ALL WORK SHALL BE SUBJECT TO INSPECTION BY THE COUNTIES. ALSO, INSPECTORS WILL HAVE THE RIGHT TO CHANGE THE FACILITIES AS NEEDED.

CONTRACTOR SHALL KEEP THE SITE WATERED TO CONTROL DUST. CONTRACTOR TO LOCATE A NEARBY HYDRANT FOR USE AND TO INSTALL TEMPORARY METER. CONSTRUCTION WATER COST TO BE INCLUDED IN BID.

WHEN GRADING OPERATIONS ARE COMPLETED AND THE DISTURBED GROUND IS LEFT "OPEN" FOR 14 DAYS OR MORE, THE AREA SHALL BE FURROWED PARALLEL TO THE CONTOURS.

THE CONTRACTOR SHALL MODIFY EROSION CONTROL MEASURES TO ACCOMMODATE PROJECT PLANNING.

ALL ACCESS TO PROPERTY WILL BE FROM PUBLIC RIGHT-OF-WAYS. THE CONTRACTOR IS REQUIRED BY STATE AND FEDERAL REGULATIONS TO PREPARE A STORM WATER POLLUTION PREVENTION PLAN AND FILE A "NOTICE OF INTENT" WITH THE GOVERNING AGENCIES.

**Maintenance:**

ALL BEST MANAGEMENT PRACTICES (BMP'S) SHOWN ON THIS PLAN MUST BE MAINTAINED AT ALL TIMES UNTIL PROJECT CLOSE-OUT.

THE CONTRACTOR'S RESPONSIBILITY SHALL INCLUDE MAKING BI-WEEKLY CHECKS ON ALL EROSION CONTROL MEASURES TO DETERMINE IF REPAIR OR SEDIMENT REMOVAL IS NECESSARY. CHECKS SHALL BE DOCUMENTED AND COPIES OF THE INSPECTIONS KEPT ON SITE.

SEDIMENT DEPOSITS SHOULD BE REMOVED AFTER EACH RAINFALL. THEY MUST BE REMOVED WHEN THE LEVEL OF DEPOSITION REACHES APPROXIMATELY ONE-HALF THE HEIGHT OF BARRIER.

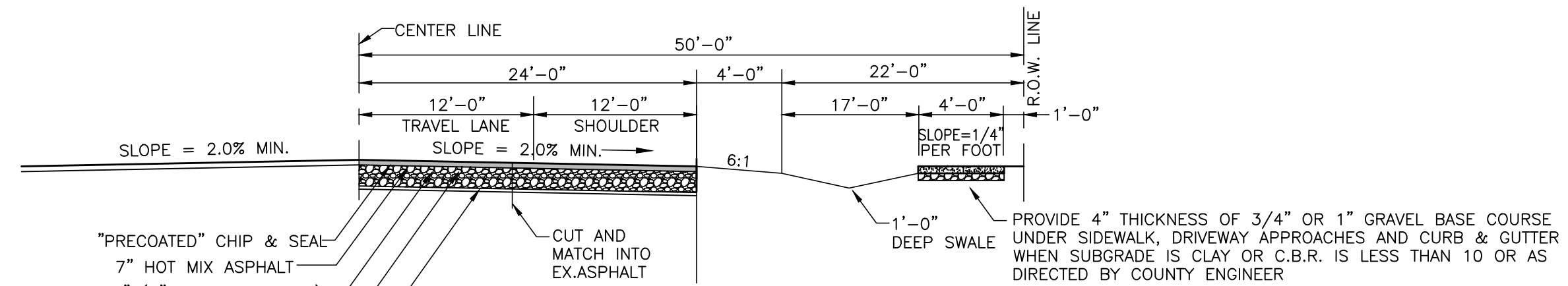
SEDIMENT TRACKED ONTO PAVED ROADS MUST BE CLEANED UP AS SOON AS PRACTICAL, BUT IN NO CASE LATER THAN THE END OF THE NORMAL WORK DAY. THE CLEAN UP WILL INCLUDE SWEEPING OF THE TRACKED MATERIAL, PICKING IT UP, AND DEPOSITING IT TO A CONTAINED AREA.

**EXPOSED SLOPES:**

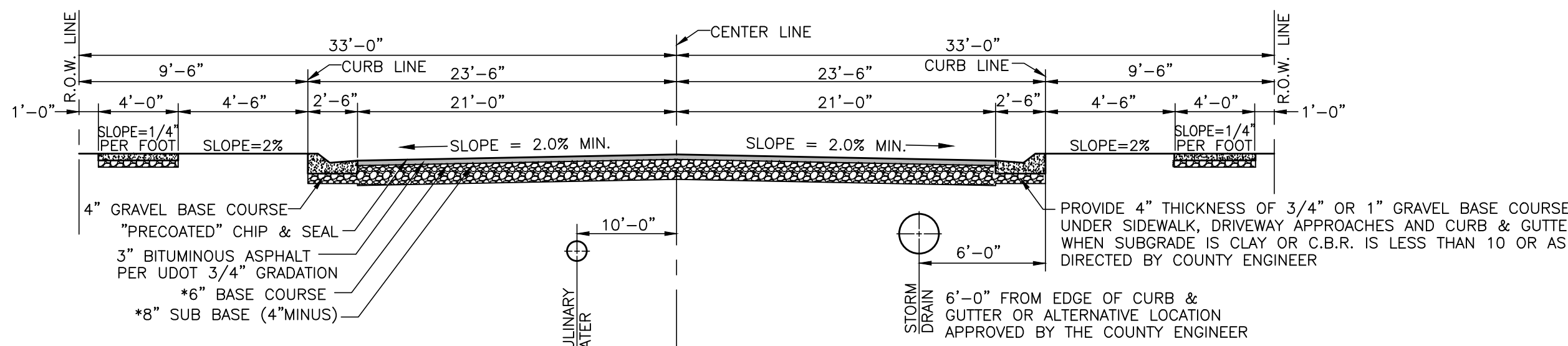
- ANY EXPOSED SLOPE THAT WILL REMAIN UNTOUCHED FOR LONGER THAN 14 DAYS MUST BE STABILIZED BY ONE OR MORE OF THE FOLLOWING METHODS:
- Spraying DISTURBED AREAS WITH A TACKIFIER VIA HYDROSEED
  - TRACKING STRAW PERPENDICULAR TO SLOPES
  - INSTALLING A LIGHT-WEIGHT, TEMPORARY EROSION CONTROL BLANKET

**Legend**

|          |                                |           |  |
|----------|--------------------------------|-----------|--|
| —W       | = PROPOSED CULINARY WATER LINE | FC        | = FENCE CORNER                                     |
| ---EX-W  | = EXISTING CULINARY WATER LINE | FF        | = FINISH FLOOR                                     |
| —SS      | = PROPOSED SANITARY SEWER LINE | FFE       | = FINISH FLOOR ELEVATION                           |
| ---EX.SS | = EXISTING SANITARY SEWER LINE | FG        | = FINISHED GRADE                                   |
| —SD      | = PROPOSED STORM DRAIN LINE    | FH        | = FIRE HYDRANT                                     |
| ---EX.SD | = EXISTING STORM DRAIN LINE    | FL        | = FLOW LINE  |
| —X       | = FENCE LINE                   | GB        | = GRADE BREAK                                      |
| ●        | = PROPOSED FIRE HYDRANT        | INV       | = INVERT   |
| ○        | = EXISTING FIRE HYDRANT        | L.F.      | = LINEAR FBET                                      |
| ●        | = PROPOSED MANHOLE             | NG        | = NATURAL GRADE                                    |
| ○        | = EXISTING MANHOLE             | PP        | = POWER/UTILITY POLE                               |
| ●        | = PROPOSED SEWER CLEAN-OUT     | P.U.E.    | = PUBLIC UTILITY BASEMENT                          |
| X        | = PROPOSED GATE VALVE          | RCP       | = REINFORCED CONCRETE PIPE                         |
| X        | = EXISTING GATE VALVE          | RIM       | = RIM OF MANHOLE                                   |
| ■        | = PROPOSED WATER METER         | R.O.W.    | = RIGHT-OF-WAY                                     |
| ■        | = EXISTING WATER METER         | SD        | = STORM DRAIN                                      |
| ■        | = PROPOSED CATCH BASIN         | SS        | = SANITARY SEWER                                   |
| ■        | = EXISTING CATCH BASIN         | TBC       | = TOP BACK OF CURB                                 |
| ■        | = PLUG W/ 2' BLOW-OFF          | TOA       | = TOP OF ASPHALT                                   |
| ■        | = PLUG & BLOCK                 | TOC       | = TOP OF CONCRETE                                  |
| ○        | = STREET LIGHT                 | TOFF      | = TOP OF FINISHED FLOOR                            |
| ■        | = SIGN                         | TOI       | = TOP OF PUMP ISLAND                               |
| BLDG     | = BUILDING                     | TSW       | = TOP OF SIDEWALK                                  |
| C&G      | = CURB & GUTTER                | W         | = CULINARY WATER                                   |
| CB       | = CATCH BASIN                  | WM        | = WATER METER                                      |
| C.F.     | = CUBIC FEET                   | [Pattern] | = EXISTING ASPHALT PAVEMENT                        |
| C.F.S.   | = CUBIC FEET PER SECOND        | [Pattern] | = PROPOSED ASPHALT PAVEMENT                        |
|          |                                | [Pattern] | = PROPOSED CONCRETE                                |
|          |                                | [Pattern] | = PROPOSED CONCRETE PAVING OR ALTERNATE BID PAVING |



**900 South Street**  
SCALE: NONE



**Street Section (66' R.O.W.)**  
SCALE: NONE

\*1. THESE PAVEMENT THICKNESS SHALL BE CONSIDERED AS MINIMUMS AND MAY BE INCREASED BY THE COUNTY ENGINEER WHEN THE SUBGRADE C.B.R. IS LESS THAN 10 OR WHEN A GREATER DEPTH IS NECESSARY TO PROVIDE SUFFICIENT STABILITY. DEVELOPER MAY SUBMIT AN ALTERNATIVE PAVEMENT DESIGN BASED ON A SOILS ANALYSIS FOR APPROVAL BY THE COUNTY ENGINEER. COMPACTION TESTS ON BOTH SUB-BASE AND BASE COURSES WILL BE REQUIRED.

1/4/2016 | E:\eche | 0:\B\32\01 - Perce | 100360013\Improvements\Borrow Imp 1.dwg

**Reeve & Associates, Inc.**  
920 CHAMBERS STREET, SUITE 14, OGDEN, UTAH 84403  
TEL: (801) 921-1100 FAX: (801) 921-2666 www.reeve-assoc.com  
LAND PLANNERS • CIVIL ENGINEERS • LAND SURVEYORS  
TRAFFIC ENGINEERS • STRUCTURAL ENGINEERS • LANDSCAPE ARCHITECTS

| REVISIONS | DATE     | DESCRIPTION        |
|-----------|----------|--------------------|
|           | 09-20-16 | CK County Comments |
|           | 12-13-16 | ER County Comments |

**Vaquero Village Subdivision Phase 1**  
WEBER COUNTY, UTAH

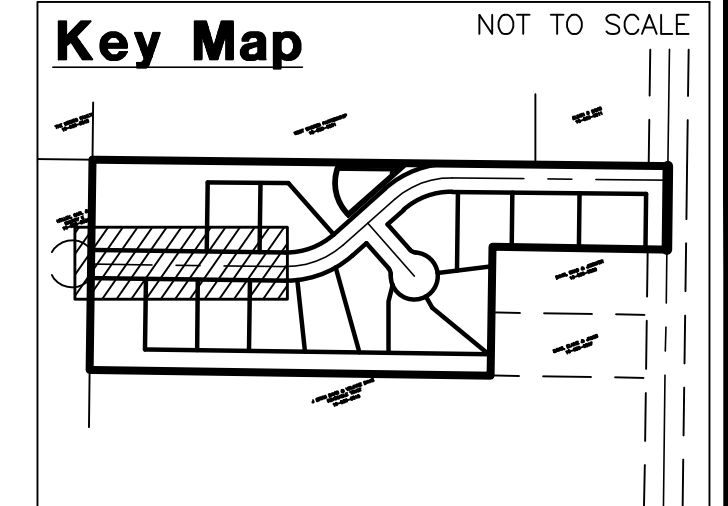
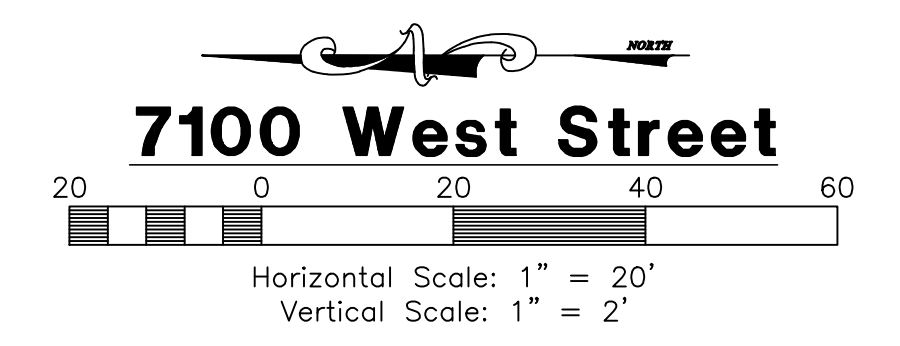
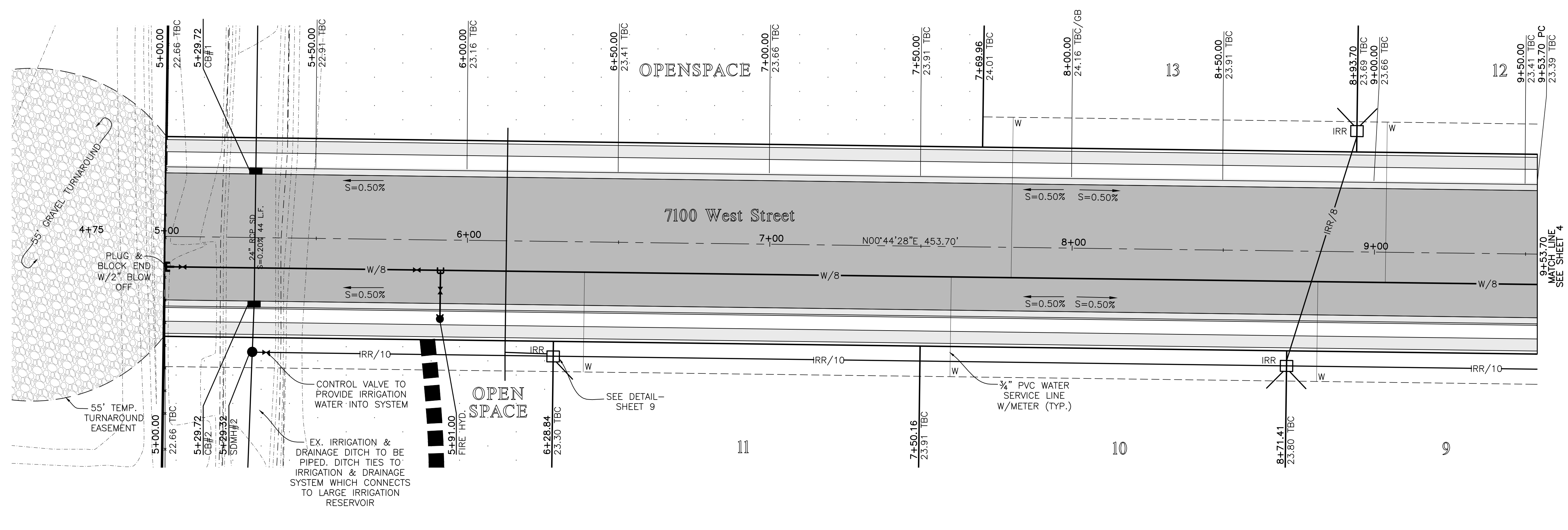
**Notes/Legend/ Street Cross-Section**

**Project Info.**

|             |                                     |
|-------------|-------------------------------------|
| Engineer:   | J. NATE REEVE                       |
| Drafter:    | C. KINGSLEY                         |
| Begin Date: | 4-4-16                              |
| Name:       | VAQUERO VILLAGE SUBDIVISION PHASE 1 |
| Number:     | 6352-01                             |

|          |           |
|----------|-----------|
| Sheet    | <b>11</b> |
| <b>2</b> | Sheets    |

**Revised: 12-13-16**



- Construction Notes:**
- ALL CONSTRUCTION IS TO CONFORM TO THE STANDARD DRAWINGS AND SPECIFICATIONS OF WEBER COUNTY.
  - CONSTRUCT HANDICAP RAMP PER ADA AND COUNTY REQUIREMENTS.
- CULINARY WATER**  
W/8 - 8" PVC C-900 CLASS 200 WATER  
W/10 - 10" PVC C-900 CLASS 200 WATER
- SANITARY SEWER**  
SS/8 - 8" PVC SDR-35 SEWER LINE  
SS/10 - 10" PVC SDR-35 SEWER LINE
- STORM DRAIN**  
SD/15 - 15" RCP STORM DRAIN  
SD/18 - 18" RCP STORM DRAIN
- IRRIGATION**  
IRR/6 - 6" PVC C-900 IRRIGATION LINE  
IRR/8 - 8" PVC C-900 IRRIGATION LINE  
IRR/10 - 10" PVC C-900 IRRIGATION LINE

**Reeve & Associates, Inc.**  
920 CHAMBERS STREET, SUITE 14, OGDEN, UTAH 84403  
TEL: (801) 621-3100 FAX: (801) 621-3666 www.reeve-assoc.com  
LAND PLANNERS • CIVIL ENGINEERS • LAND SURVEYORS  
TRAFFIC ENGINEERS • STRUCTURAL ENGINEERS • LANDSCAPE ARCHITECTS

**IRA**

| REVISIONS | DATE     | DESCRIPTION        |
|-----------|----------|--------------------|
|           | 09-20-16 | CK County Comments |
|           | 12-13-16 | ER County Comments |

**Vaquero Village Subdivision Phase 1**  
WEBER COUNTY, UTAH

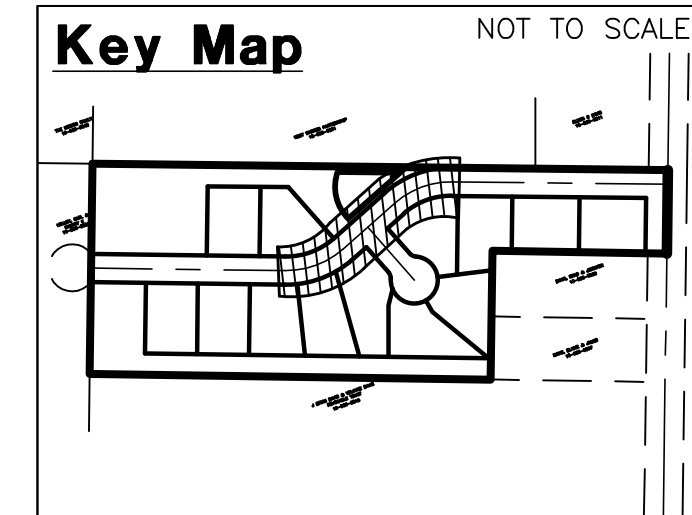
**7100 West Street**  
**5+00.00 - 9+53.70**

**Revised: 12-13-16**



**Project Info.**  
Engineer: J. NATE REEVE  
Drafted: C. KINGSLEY  
Begin Date: 4-4-16  
Name: VAQUERO VILLAGE SUBDIVISION PHASE 1  
Number: 6352-01

Blue Stakes Location Center  
**Call: Toll Free 1-800-662-4111**  
Two Working Days Before You Dig

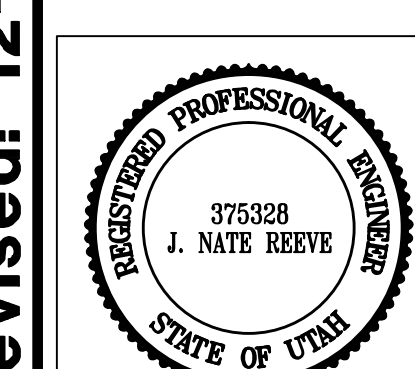


REVISIONS

| DATE     | DESCRIPTION        |
|----------|--------------------|
| 09-20-16 | CK County Comments |
| 12-13-16 | ER County Comments |

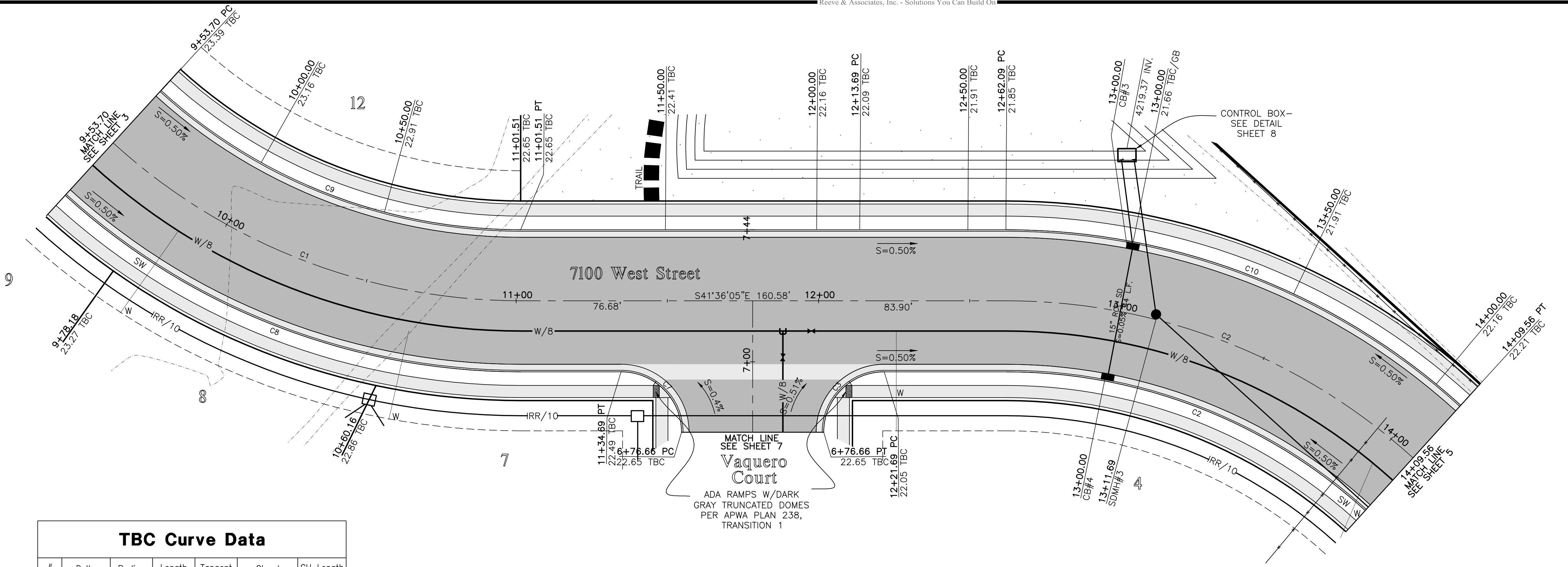
**Vaquero Village Subdivision**  
**Phase 1**  
 WEBER COUNTY, UTAH

**7100 West Street**  
**9+53.70 - 14+09.56**



**Project Info.**  
 Engineer: J. NATE REEVE  
 Drafter: C. KINGSLEY  
 Begin Date: 4-4-16  
 Name: VAQUERO VILLAGE SUBDIVISION PHASE 1  
 Number: 6352-01

Sheet **4** of **11** Sheets



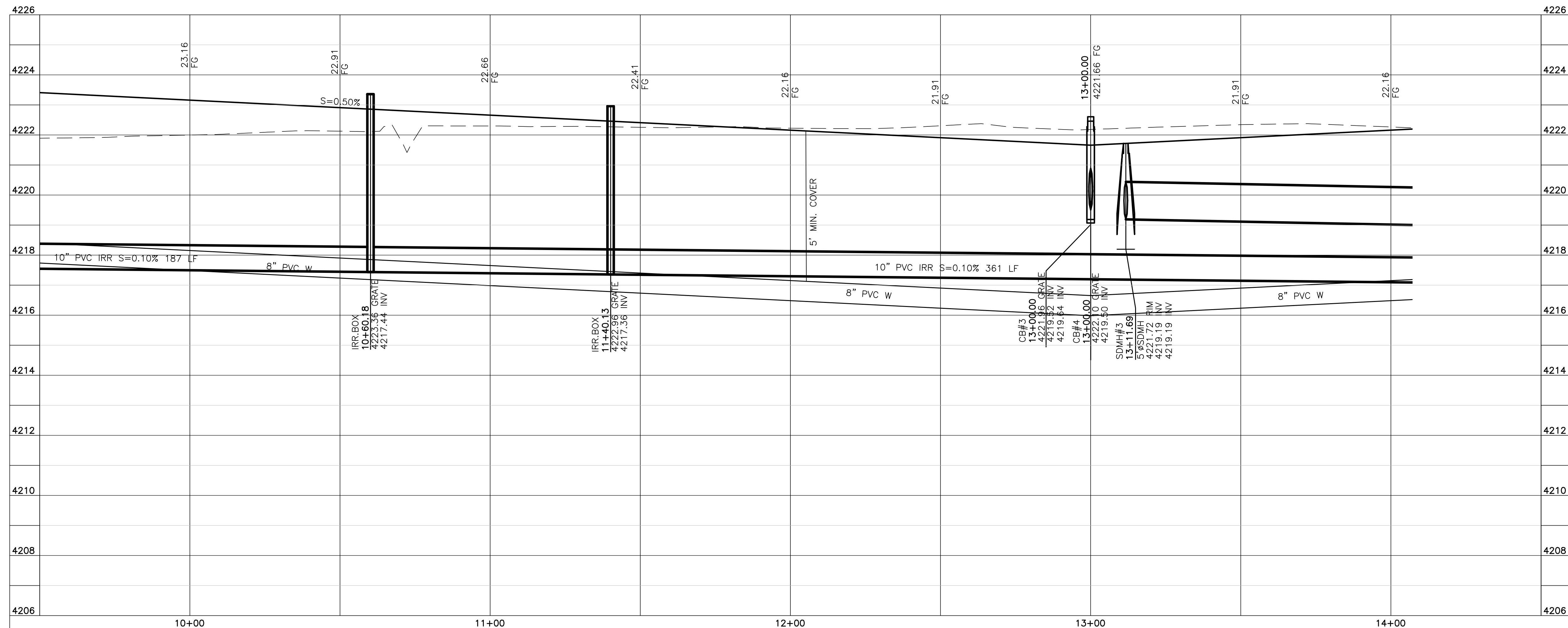
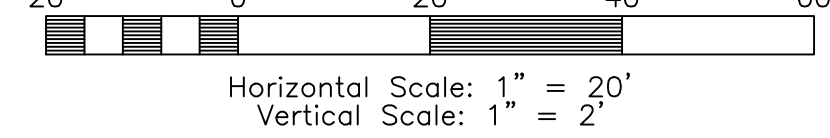
**TBC Curve Data**

| #   | Delta     | Radius  | Length  | Tangent | Chord       | CH Length |
|-----|-----------|---------|---------|---------|-------------|-----------|
| C2  | 42°14'48" | 176.50' | 130.14' | 68.19'  | S20°28'41"E | 127.21'   |
| C3  | 90°00'00" | 20.00'  | 31.42'  | 20.00'  | N86°36'05"W | 28.28'    |
| C7  | 90°00'00" | 20.00'  | 31.42'  | 20.00'  | N3°23'55"E  | 28.28'    |
| C8  | 42°20'33" | 223.50' | 165.17' | 86.56'  | S20°25'48"E | 161.44'   |
| C9  | 42°20'33" | 176.50' | 130.44' | 68.36'  | N20°28'41"W | 127.49'   |
| C10 | 42°14'48" | 223.50' | 164.80' | 86.35'  | N20°28'41"W | 161.09'   |

**Centerline Curve Data**

| #  | Delta     | Radius  | Length  | Tangent | Chord       | CH Length |
|----|-----------|---------|---------|---------|-------------|-----------|
| C1 | 42°20'33" | 200.00' | 147.80' | 77.46'  | S20°25'48"E | 144.46'   |
| C2 | 42°14'48" | 200.00' | 147.47' | 77.27'  | S20°28'41"E | 144.15'   |

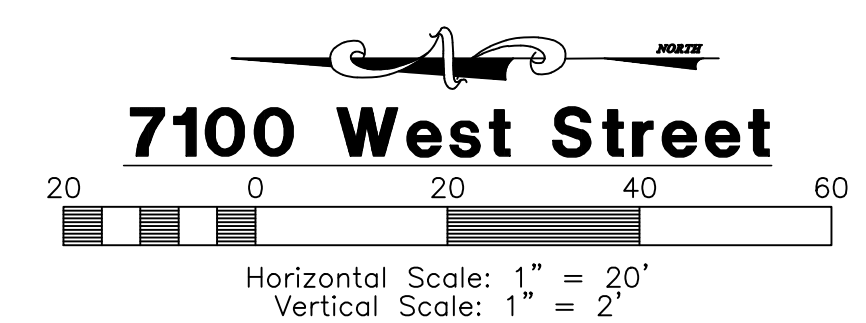
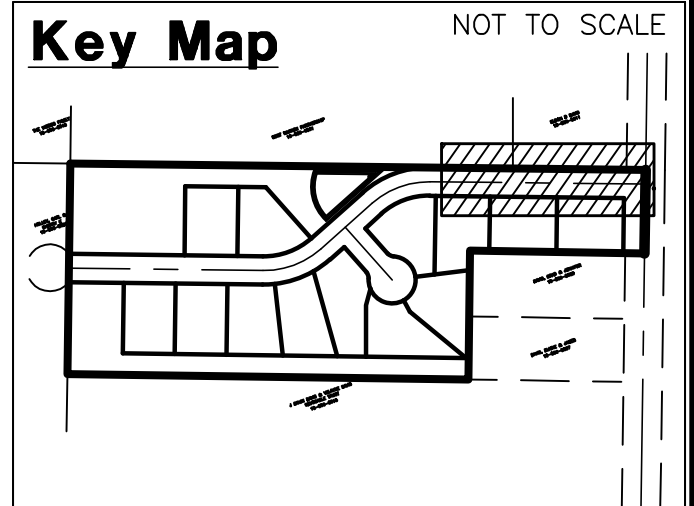
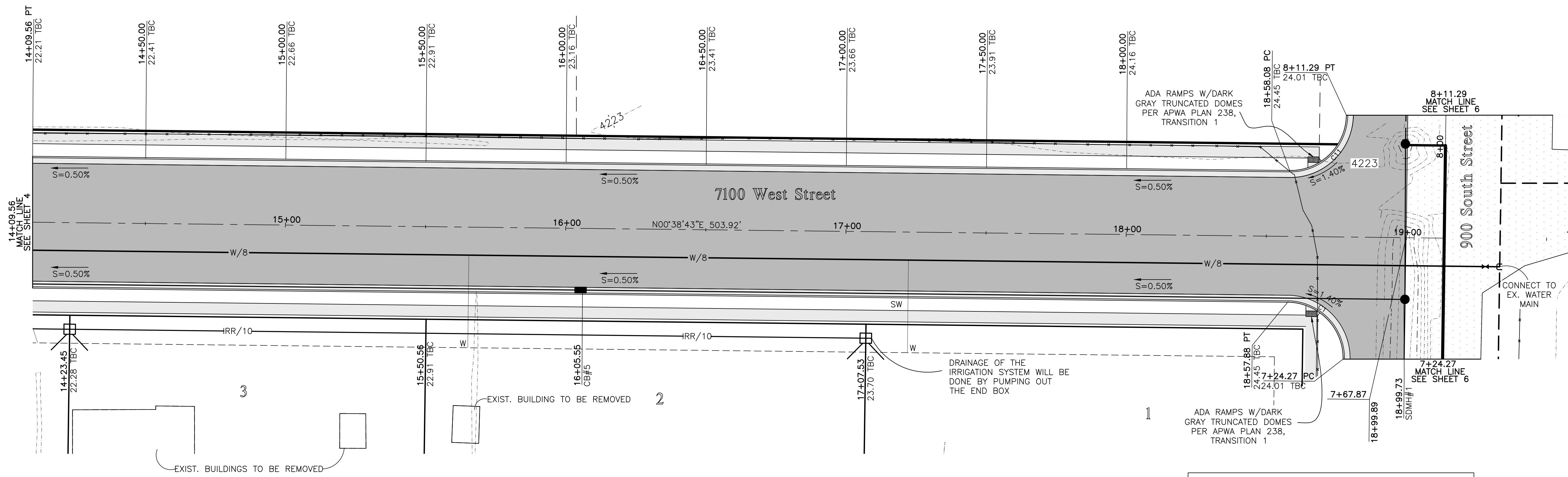
**7100 West Street**



Blue Stakes Location Center  
**Call: Toll Free**  
**1-800-662-4111**  
 Two Working Days Before You Dig

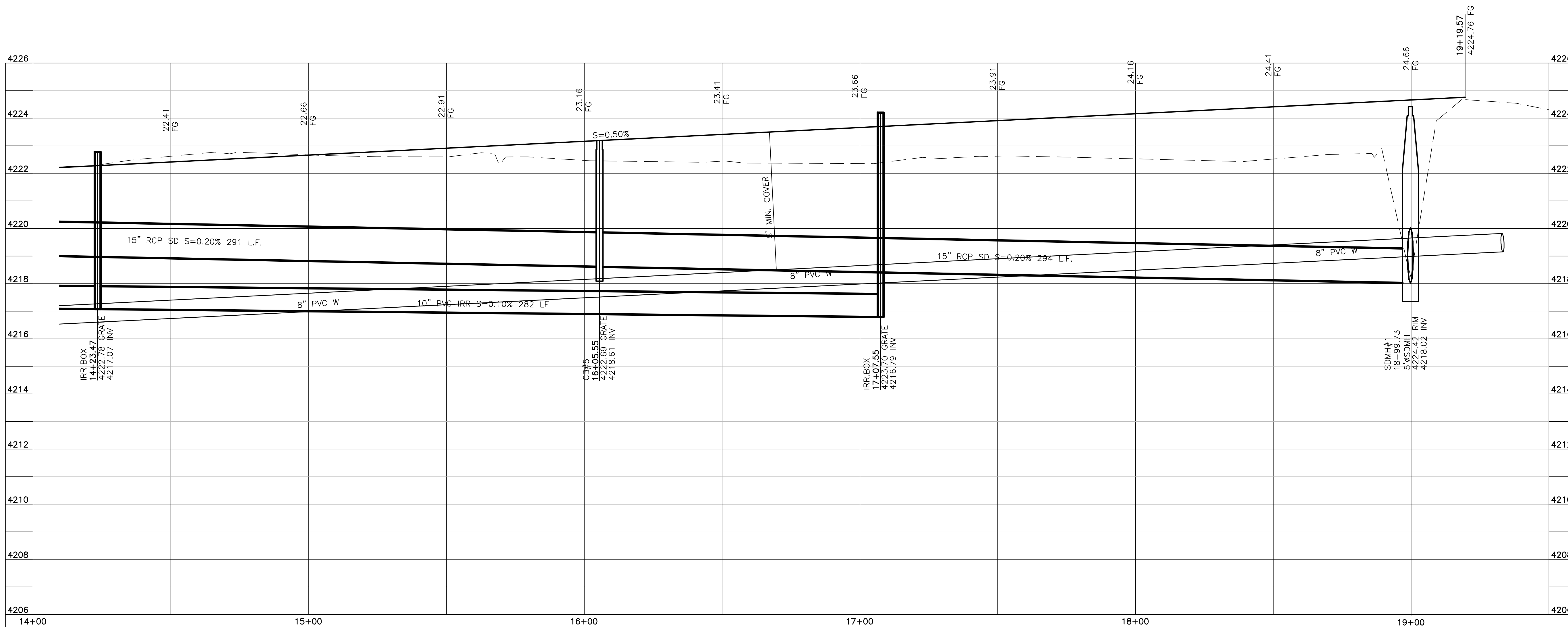
Revised: 12-13-16

1/4/2016 | E:\382\01 - Parcel 100360013\Improvements\Borrow Imp 1.dwg



**TBC Curve Data**

| #   | Delta     | Radius | Length | Tangent | Chord       | CH Length |
|-----|-----------|--------|--------|---------|-------------|-----------|
| C1  | 90°07'58" | 20.00' | 31.46' | 20.05'  | S45°42'42"W | 28.32'    |
| C11 | 89°52'55" | 20.00' | 31.37' | 19.96'  | N44°17'45"W | 28.26'    |



**Reeve & Associates, Inc.**  
 920 CHAMBERS STREET, SUITE 14, OGDEN, UTAH 84403  
 TEL: (801) 621-2100 FAX: (801) 621-2666 www.reeve-assoc.com  
 LAND PLANNERS • CIVIL ENGINEERS • LAND SURVEYORS  
 TRAFFIC ENGINEERS • STRUCTURAL ENGINEERS • LANDSCAPE ARCHITECTS



REVISIONS

| DATE     | DESCRIPTION        |
|----------|--------------------|
| 09-20-16 | CK County Comments |
| 12-13-16 | ER County Comments |

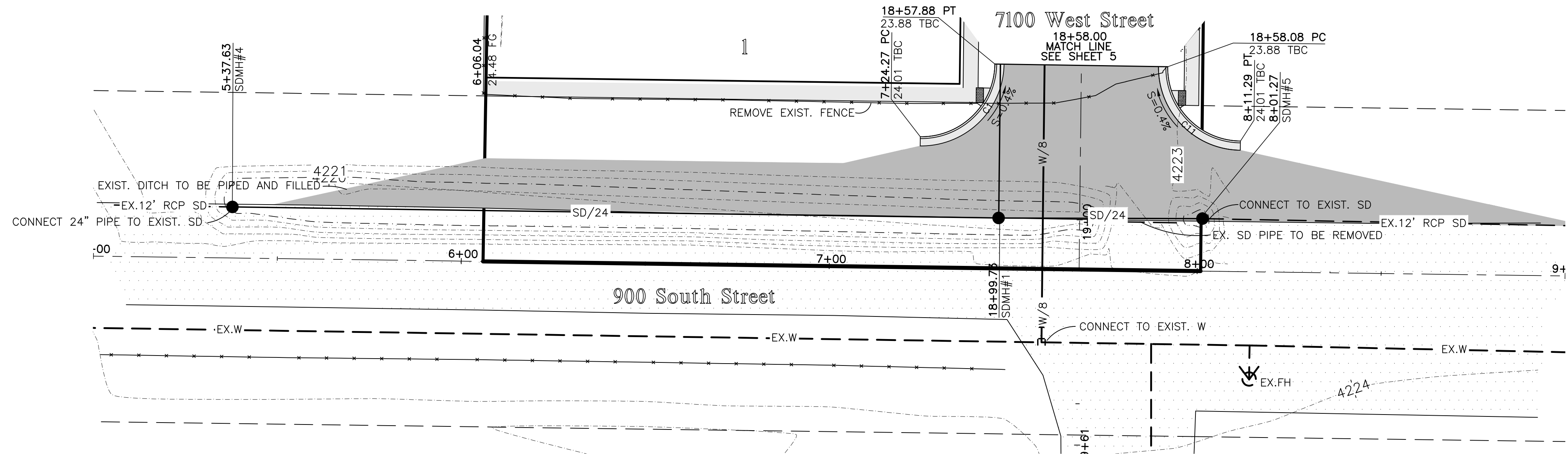
**Vaquero Village Subdivision**  
**Phase 1**  
 WEBER COUNTY, UTAH  
**7100 West Street**  
**14+09.56 - 19+50.00**

**Revised: 12-13-16**

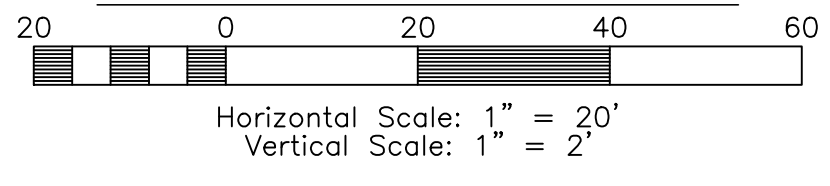


**Project Info.**  
 Engineer: J. NATE REEVE  
 Drafter: C. KINGSLEY  
 Begin Date: 4-4-16  
 Name: VAQUERO VILLAGE SUBDIVISION PHASE 1  
 Number: 6352-01

Blue Stakes Location Center  
**Call: Toll Free**  
**1-800-662-4111**  
 Two Working Days Before You Dig

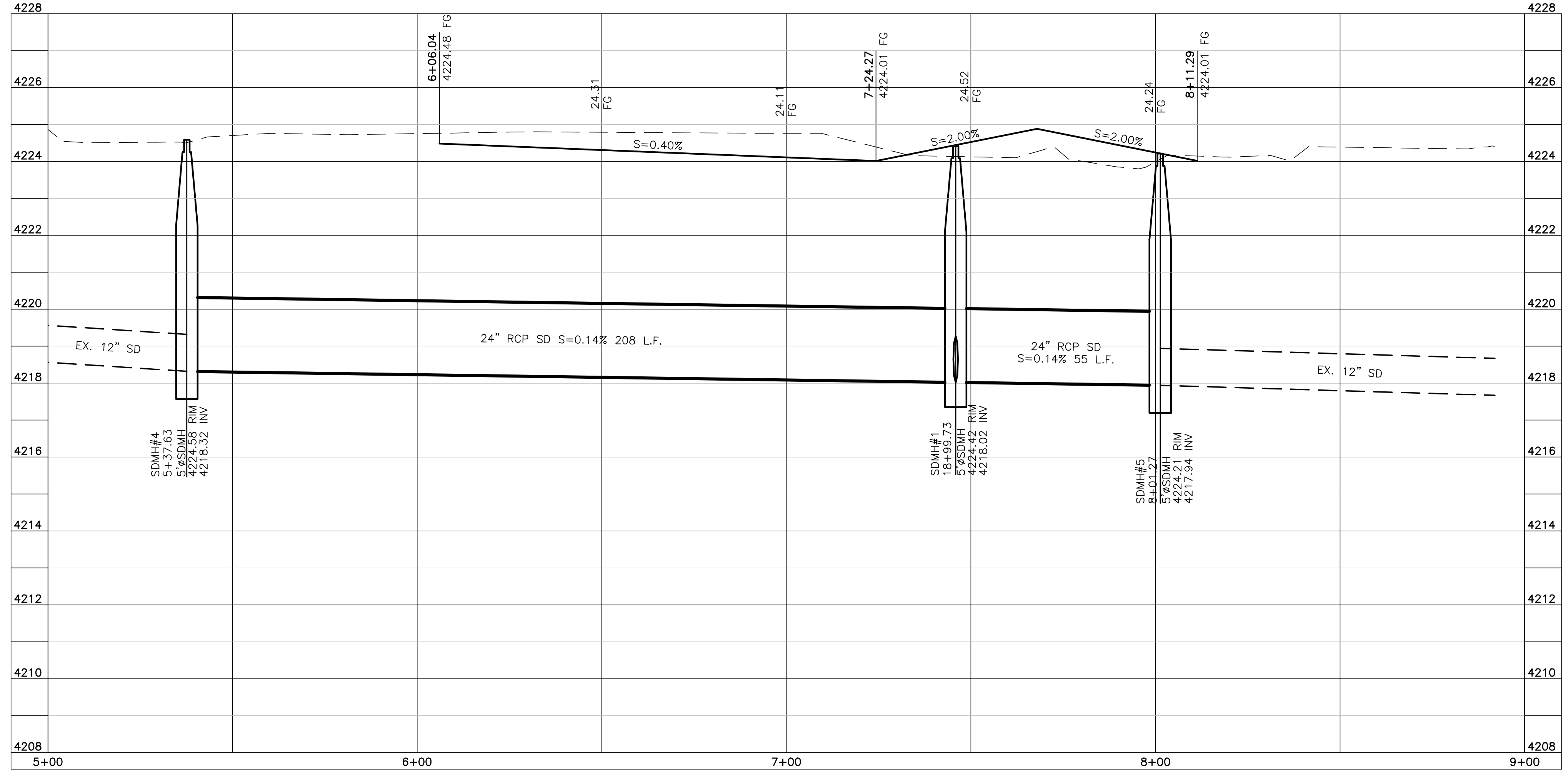
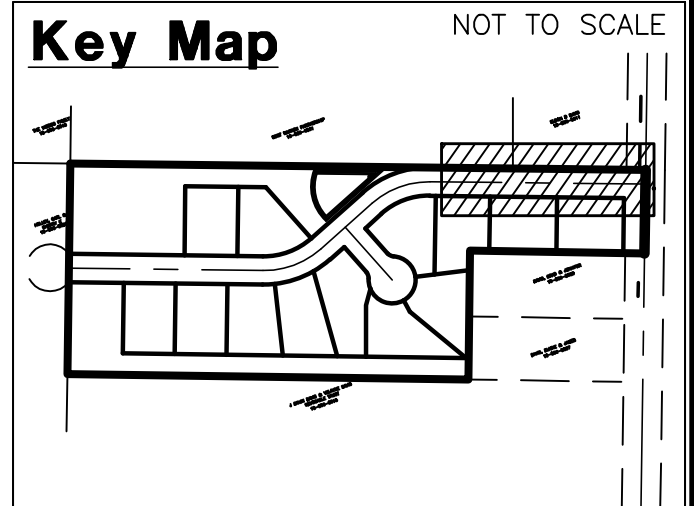


**900 South Street**



**TBC Curve Data**

| #   | Delta     | Radius | Length | Tangent | Chord       | CH Length |
|-----|-----------|--------|--------|---------|-------------|-----------|
| C1  | 90°07'58" | 20.00' | 31.46' | 20.05'  | S45°42'42"W | 28.32'    |
| C11 | 89°52'55" | 20.00' | 31.37' | 19.96'  | N44°17'45"W | 28.26'    |



Revised: 12-13-16

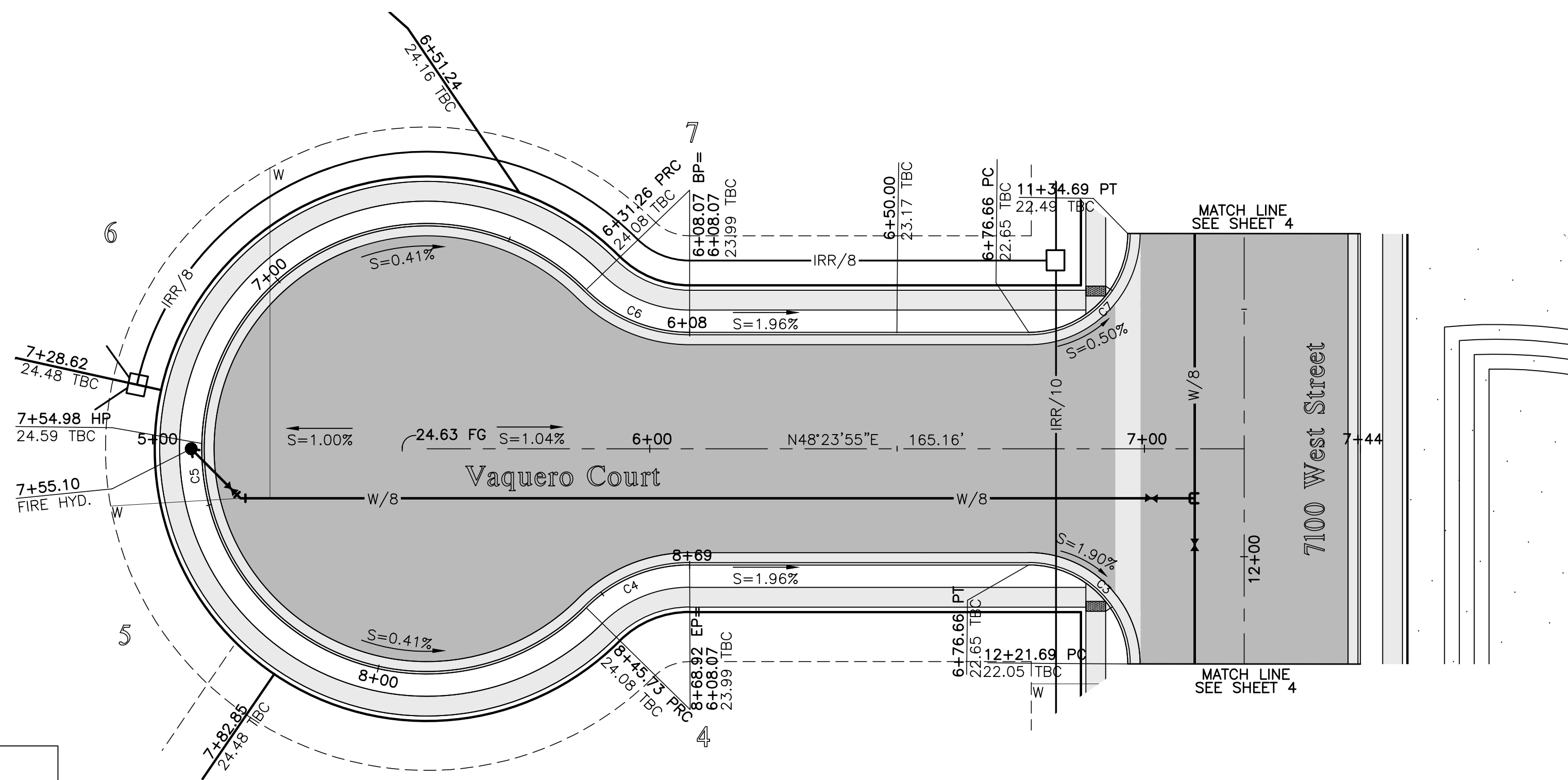
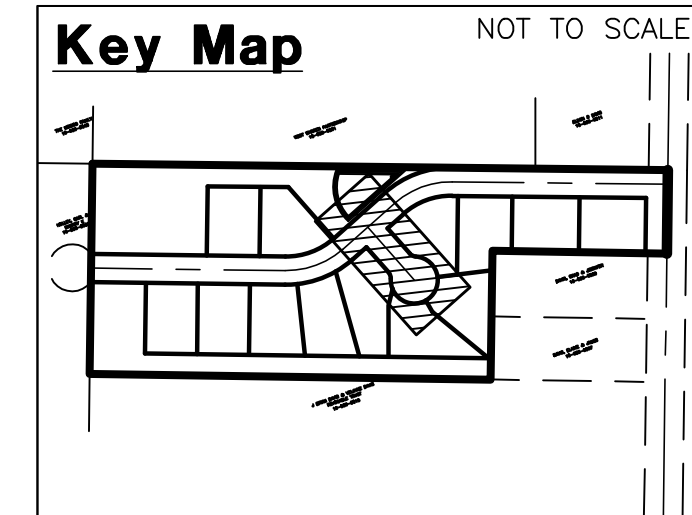
**Vaquero Village Subdivision  
Phase 1**  
WEBER COUNTY, UTAH  
**900 South Street  
6+00.00 - 8+50.00**



**Project Info.**  
Engineer: J. NATE REEVE  
Draftsman: C. KINGSLEY  
Begin Date: 4-4-16  
Name: VAQUERO VILLAGE SUBDIVISION PHASE 1  
Number: 6352-01

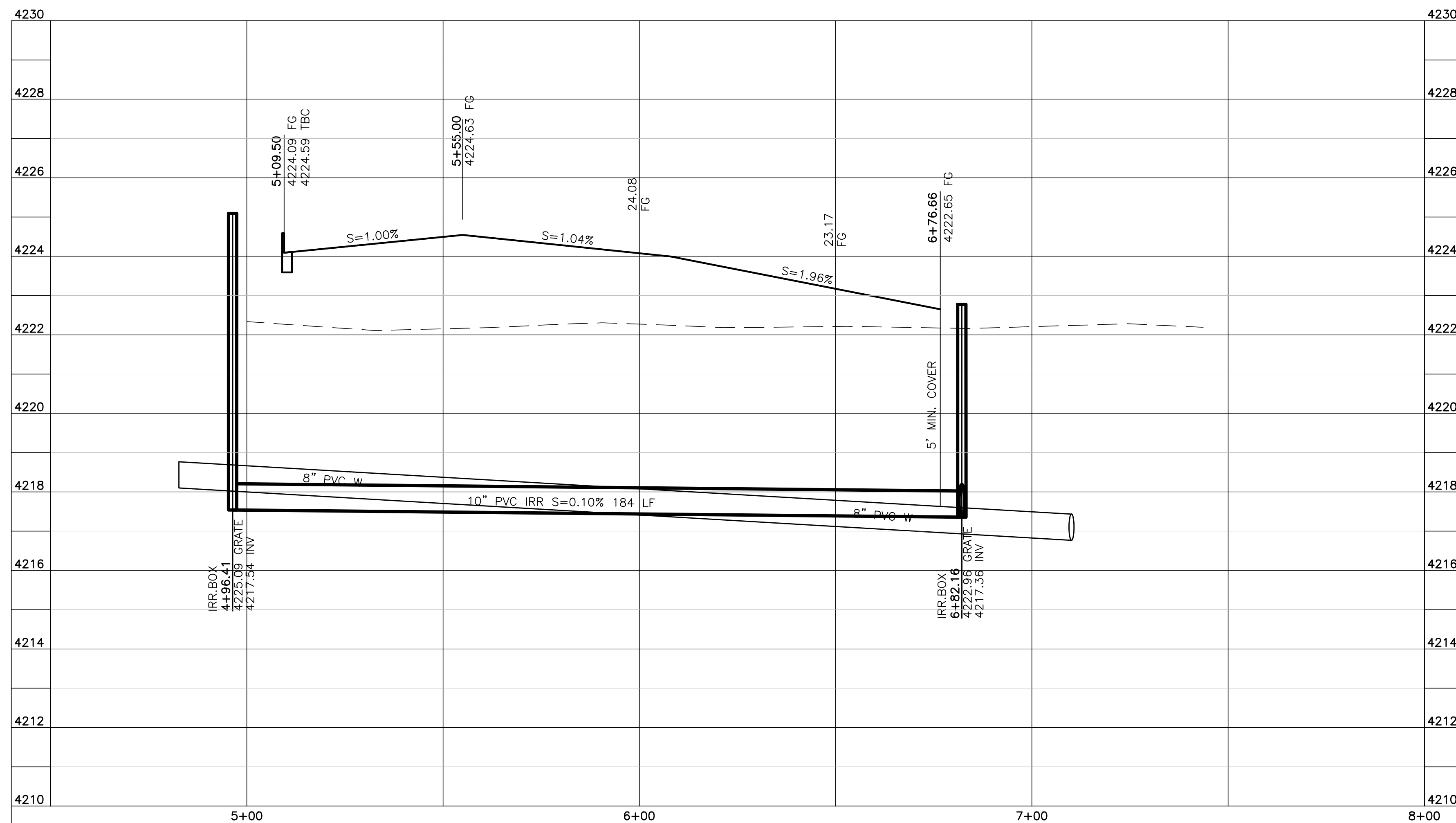
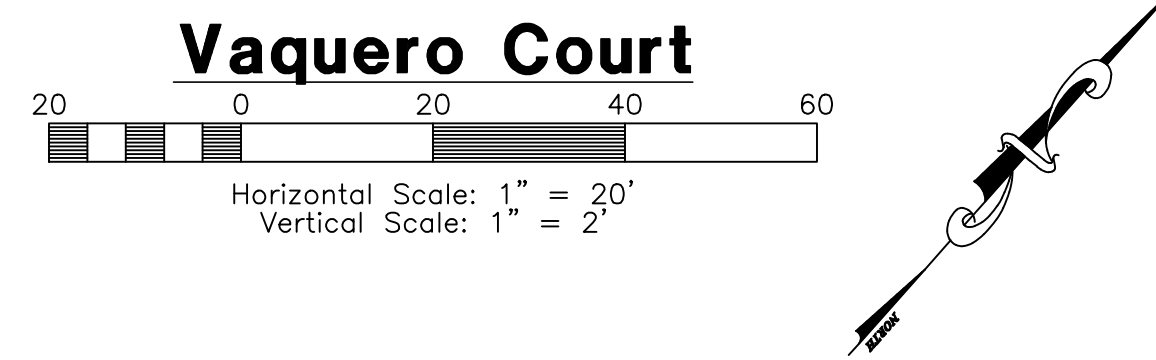
Blue Stakes Location Center  
**Call: Toll Free  
1-800-662-4111**  
Two Working Days Before You Dig

Sheet **11**  
**6** Sheets



**TBC Curve Data**

| #  | Delta      | Radius | Length  | Tangent | Chord       | CH Length |
|----|------------|--------|---------|---------|-------------|-----------|
| C3 | 90°00'00"  | 20.00' | 31.42'  | 20.00'  | N86°36'05"W | 28.28'    |
| C4 | 45°02'07"  | 29.50' | 23.19'  | 12.23'  | S25°52'51"W | 22.60'    |
| C5 | 270°04'18" | 45.50' | 214.47' | 45.44'  | S41°36'05"E | 64.31'    |
| C6 | 45°02'07"  | 29.50' | 23.19'  | 12.23'  | N70°54'59"E | 22.60'    |
| C7 | 90°00'00"  | 20.00' | 31.42'  | 20.00'  | N3°23'55"E  | 28.28'    |



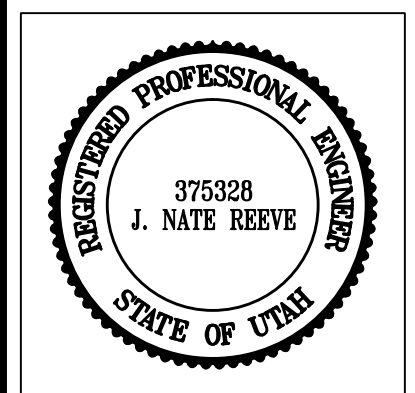
**Reeve & Associates, Inc.**  
 920 CHAMBERS STREET, SUITE 14, OGDEN, UTAH 84403  
 TEL: (801) 621-2100 FAX: (801) 621-2666 WWW.REEVE-ASSOC.COM  
 LAND PLANNERS • CIVIL ENGINEERS • LAND SURVEYORS  
 TRAFFIC ENGINEERS • STRUCTURAL ENGINEERS • LANDSCAPE ARCHITECTS

**REVISIONS**

| DATE     | DESCRIPTION        |
|----------|--------------------|
| 09-20-16 | CK County Comments |
| 12-13-16 | ER County Comments |

**Vaquero Village Subdivision**  
**Phase 1**  
 WEBER COUNTY, UTAH

**Vaquero Court**  
**5+00.00 - 7+50.00**



**Project Info.**

Engineer: J. NATE REEVE  
 Drafter: C. KINGSLEY  
 Begin Date: 4-4-16  
 Name: VAQUERO VILLAGE SUBDIVISION PHASE 1  
 Number: 6352-01

Blue Stakes Location Center  
**Call: Toll Free 1-800-662-4111**  
 Two Working Days Before You Dig

**Storm Runoff Calculations**

**Vaquero**  
9/19/2016

The following runoff calculations are based on the Rainfall - Intensity - Duration Frequency Curve for the Reese, UT area taken from NOAA Atlas 14 using a 10 year storm for collection and a 100 year storm for storage. Storage facilities have been designed per requirements provided by the City for a regional detention pond. A majority of water run off collected from the property will be diverted into a holding pond and released at a reduced rate as part of the detention pond. Design calculations here are presented for the overall property development.

The calculations are as follows:

**1. Drainage Area:**  
Total Area = 12.42 acres or 541,203 sq ft  
Total Collected Area = 6.63 acres or 288,888 sq ft

**Developed Runoff Coefficient**  
Runoff Coefficients  
Single Family Residence Paved Area = 94,005 sq ft C = 0.9  
Landscape Area = 164,883 sq ft C = 0.2  
Roof = 30,000 sq ft C = 0.9  
Weighted Runoff Coefficient C = 0.50

**2. Time of Concentration:**  
Use: Estimated from storm water runoff overland flow time = 30 min.

**3. Rainfall Intensity:**  
10-yr 30-min (conveyance) = 1.36 in/hr

**4. Peak Run-off:**  
Runoff Coefficient C = 0.50  
Rainfall Intensity I = 1.36 in/hr  
Area A = 6.83 ACRES  
Runoff Quantity Q = 288,888 ft<sup>3</sup>  
Q (max at pond internal) = 4.55 ft<sup>3</sup>/s

**5. Allowable Discharge:**  
Typical allowable discharge Q = (0.2 x acres) = 1.33 ft<sup>3</sup>/s

**6. Volume of Run-off for 100-year 24-Hour Storm Event:**  
C = 0.50  
A = 288,888 ft<sup>2</sup>  
Q(out) = 1.33 ft<sup>3</sup>/s

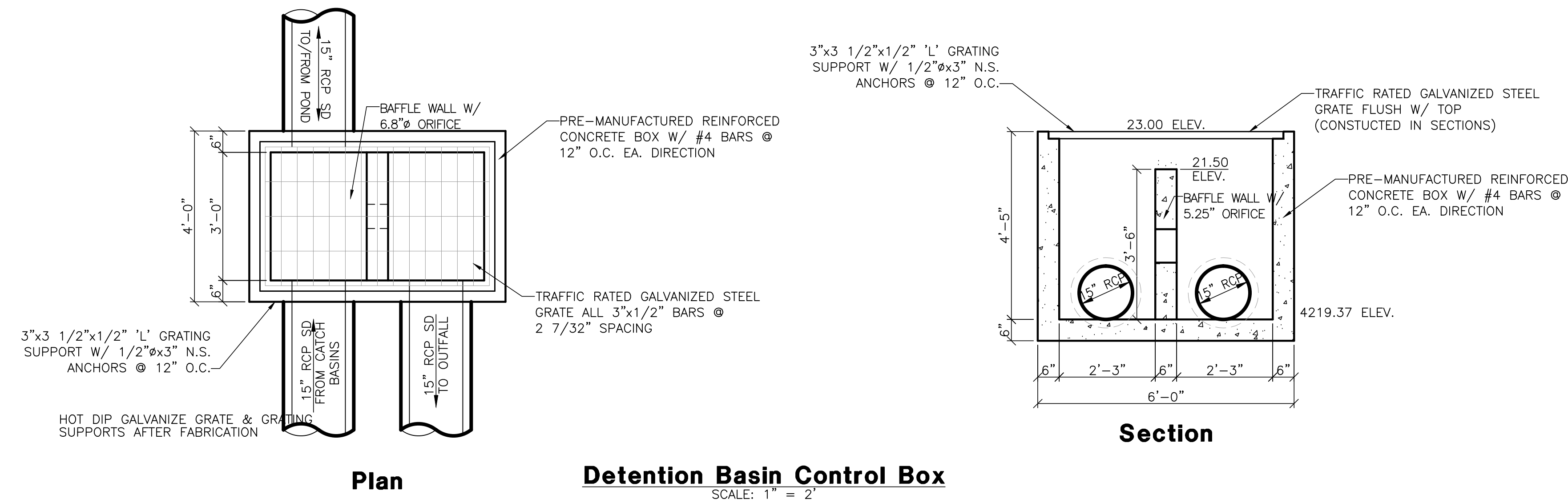
| time (min) | time (sec) | I (in/hr) | Q (cfs) | Vol. in (cf) | Vol. out (cf) | Difference (cf) |
|------------|------------|-----------|---------|--------------|---------------|-----------------|
| 0          | 0          | 0.00      | 0.00    | 0.00         | 0.00          | 0.00            |
| 5          | 300        | 6.43      | 21.52   | 6,456        | 396           | 6,058           |
| 10         | 600        | 4.89      | 16.37   | 9,819        | 796           | 9,024           |
| 15         | 900        | 4.04      | 13.52   | 12,169       | 1,194         | 10,975          |
| 30         | 1800       | 2.72      | 9.10    | 16,386       | 2,388         | 13,998          |
| 60         | 3600       | 1.68      | 5.62    | 20,241       | 4,775         | 15,466          |
| 120        | 7200       | 0.91      | 3.06    | 22,025       | 9,550         | 12,475          |
| 180        | 10800      | 0.62      | 2.09    | 22,550       | 14,325        | 8,225           |
| 360        | 21600      | 0.35      | 1.15    | 24,940       | 28,650        | -3,710          |
| 720        | 43200      | 0.21      | 0.70    | 30,073       | 57,300        | -27,227         |
| 1440       | 86400      | 0.11      | 0.38    | 32,964       | 114,600       | -81,636         |

**7. Orifice Sizing Area:**  
Given: Q = 1.33 cfs  
2g = 64.4 ft/s<sup>2</sup>  
H = 2.50 ft  
Cd = 0.7  
R = SQRT((Q/7.75)^(2/3) / (64.4 \* H^(1/3)))  
R = 0.22 feet  
R = 2.62 inches  
D = 5.23 inches

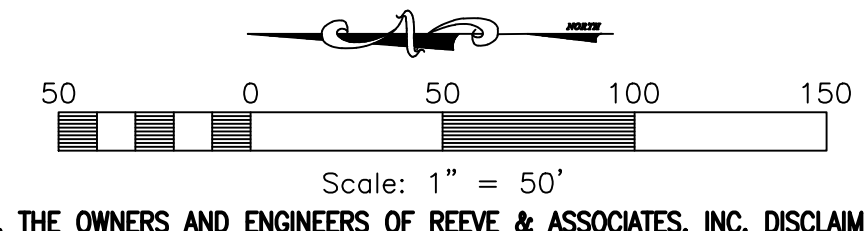
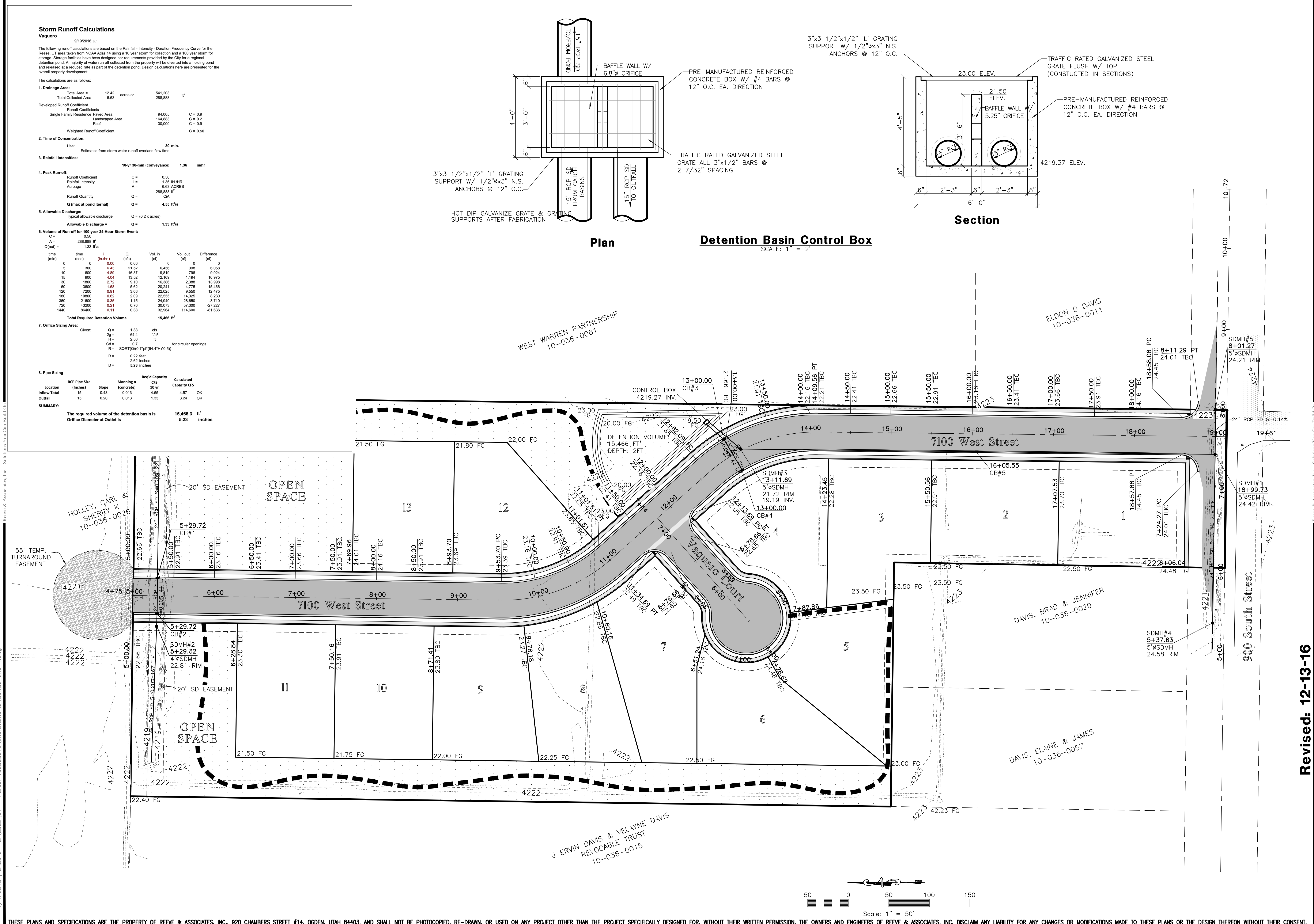
**8. Pipe Sizing**

| Location     | RCP Pipe Size (Inches) | Slope | Req'd Capacity CFS | Calculated Capacity CFS |
|--------------|------------------------|-------|--------------------|-------------------------|
| Inflow Total | 15                     | 0.45  | 4.57               | OK                      |
| Outfall      | 15                     | 0.20  | 3.24               | OK                      |

**SUMMARY:**  
The required volume of the detention basin is 15,466.3 ft<sup>3</sup>  
Orifice Diameter at Outlet is 5.23 inches



**Detention Basin Control Box**  
SCALE: 1" = 2'



**Reeve & Associates, Inc.**  
920 CHAMBERS STREET, SUITE 14, OGDEN, UTAH 84403  
TEL: (801) 621-2100 FAX: (801) 621-2666 www.reeve-assoc.com

**IRA**  
LAND PLANNERS • CIVIL ENGINEERS • LAND SURVEYORS  
TRAFFIC ENGINEERS • STRUCTURAL ENGINEERS • LANDSCAPE ARCHITECTS

**REVISIONS**

| DATE     | DESCRIPTION        |
|----------|--------------------|
| 09-20-16 | CK County Comments |
| 12-13-16 | ER County Comments |

**Vaquero Village Subdivision Phase 1**  
WEBER COUNTY, UTAH

**Grading & Drainage Plan**

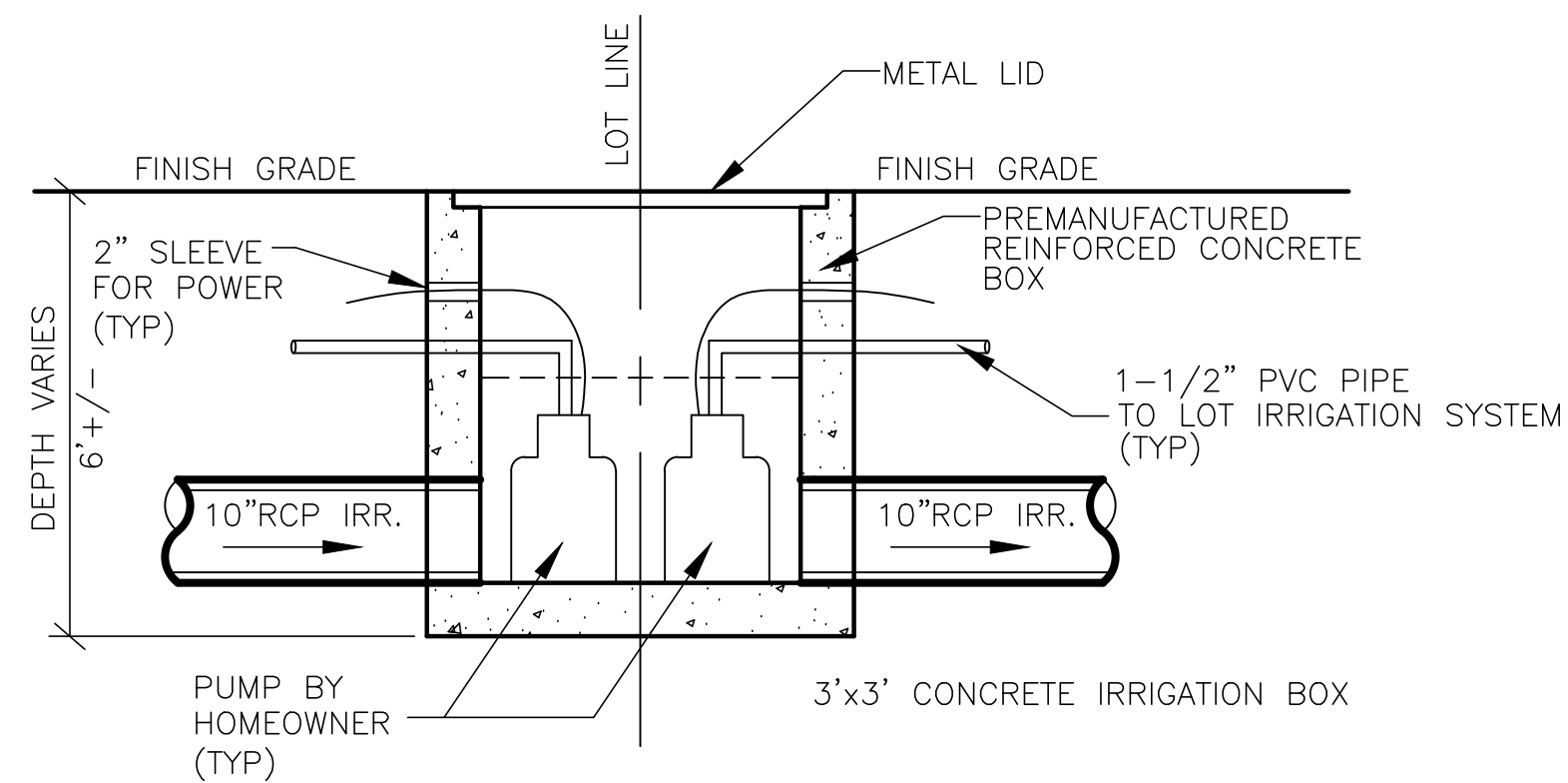
**Revised: 12-13-16**

REGISTERED PROFESSIONAL ENGINEER  
375328  
J. NATE REEVE  
STATE OF UTAH

**Project Info.**

Engineer: J. NATE REEVE  
Drafted: C. KINGSLEY  
Begin Date: 4-4-16  
Name: VAQUERO VILLAGE SUBDIVISION PHASE 1  
Number: 6352-01



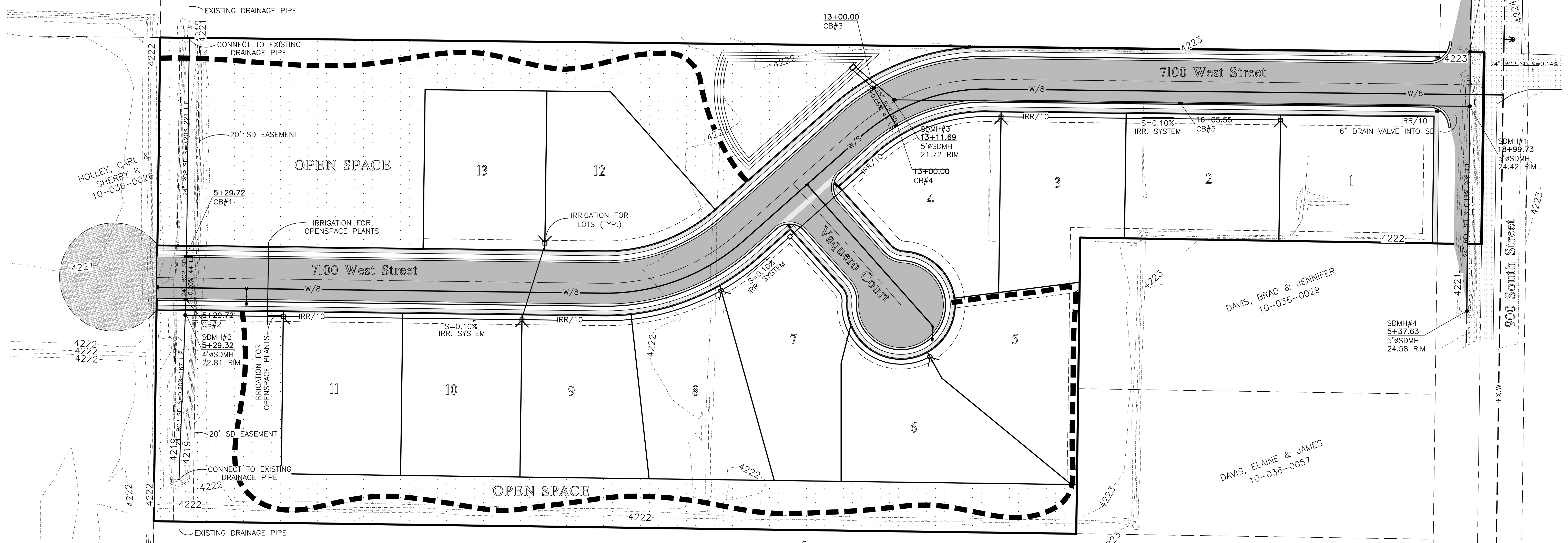


CROSS SECTION  
**Typical Irrigation Box**  
SCALE: NONE

THE MEIBOS FAMILY  
10-036-0043

WEST WARREN PARTNERSHIP  
10-036-0061

ELDON D DAVIS  
10-036-0011

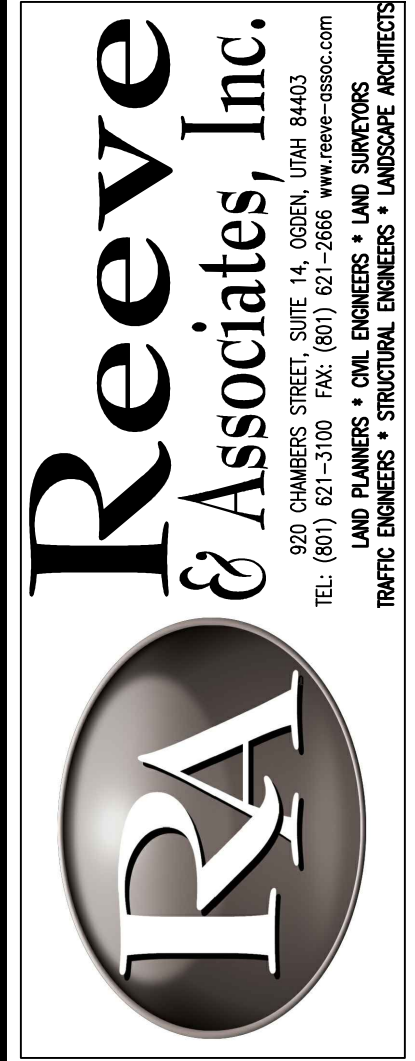
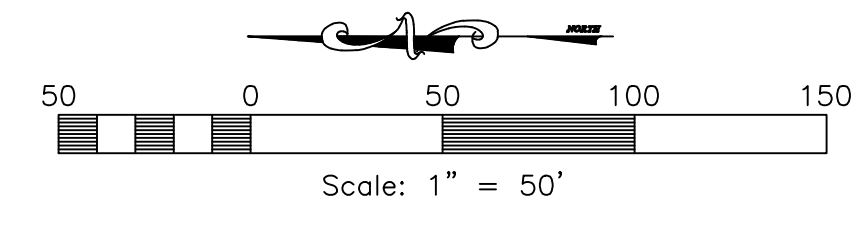


HOLLEY, CARL &  
SHERRY K  
10-036-0026

DAVIS, BRAD & JENNIFER  
10-036-0029

DAVIS, ELAINE & JAMES  
10-036-0057

J ERVIN DAVIS & VELAYNE DAVIS  
REVOCABLE TRUST  
10-036-0015

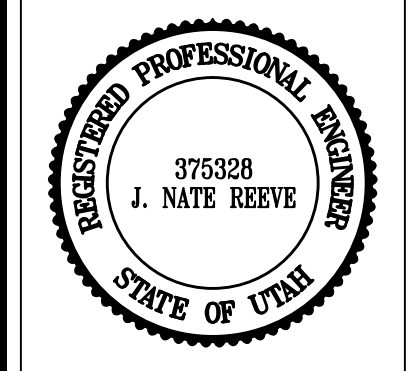


| REVISIONS | DATE     | DESCRIPTION        |
|-----------|----------|--------------------|
|           | 09-20-16 | CK County Comments |
|           | 12-13-16 | ER County Comments |

**Vaquero Village Subdivision  
Phase 1**  
WEBER COUNTY, UTAH

**Utility & Irrigation Plan**

Revised: 12-13-16



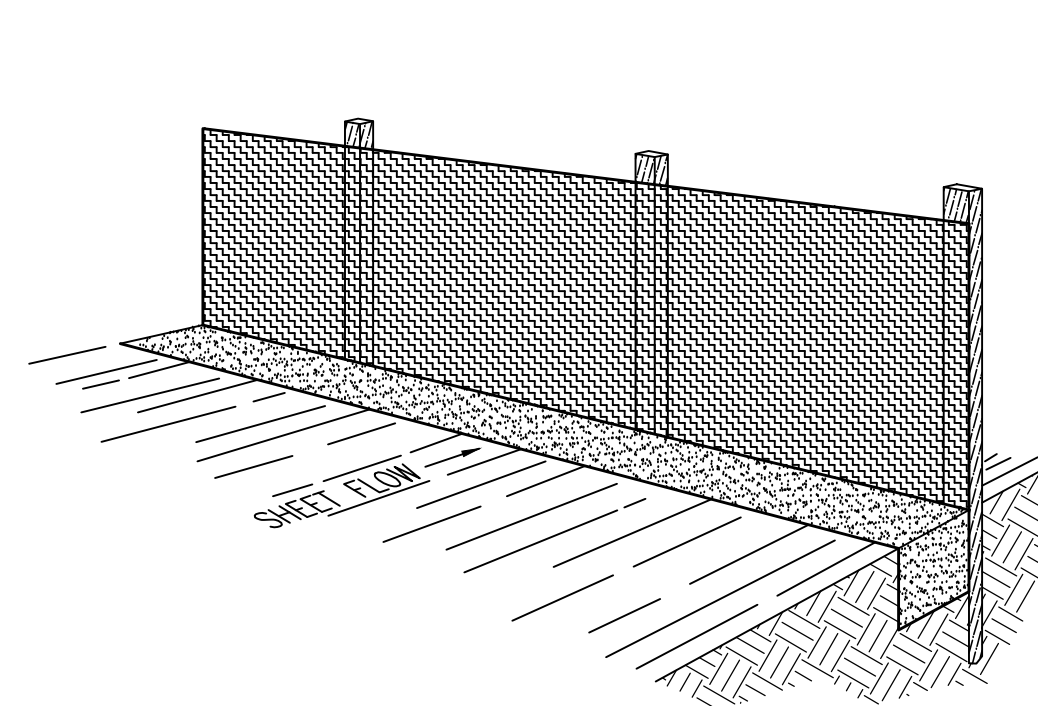
**Project Info.**

|             |   |
|-------------|---|
| Engineer:   | J. NATE REEVE                             |
| Drafter:    | C. KINGSLEY                               |
| Begin Date: | 4-4-16                                    |
| Name:       | VAQUERO VILLAGE<br>SUBDIVISION<br>PHASE 1 |
| Number:     | 6352-01                                   |

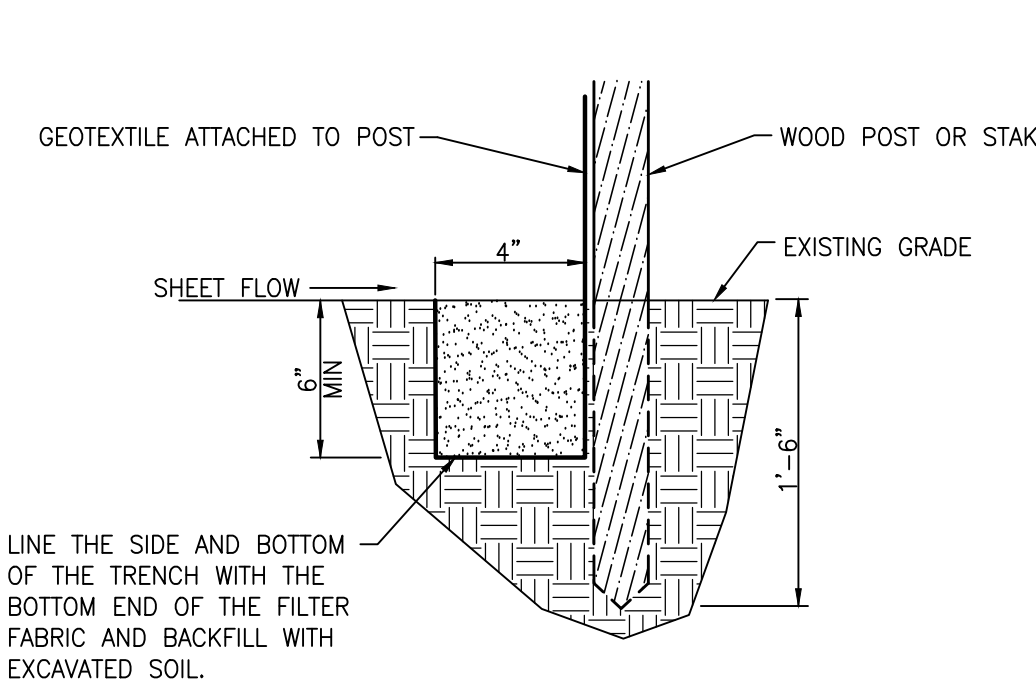


**Notes:**

- Describe all BMP's to protect storm water inlets:  
All storm water inlets to be protected by straw wattle barriers, or gravel bags (see detail).
- Describe BMP's to eliminate/reduce contamination of storm water from:
  - Equipment / building / concrete wash areas:  
To be performed in designated areas only and surrounded with silt fence barriers.
  - Soil contaminated by soil amendments:  
If any contaminants are found or generated, contact environmental engineer and contacts listed.
  - Areas of contaminated soil:  
If any contaminants are found or generated, contact environmental engineer and contacts listed.
  - Fueling area:  
To be performed in designated areas only and surrounded with silt fence.
  - Vehicle maintenance areas:  
To be performed in designated areas only and surrounded with silt fence.
  - Vehicle parking areas:  
To be performed in designated areas only and surrounded with silt fence.
  - Equipment storage areas:  
To be performed in designated areas only and surrounded with silt fence.
  - Materials storage areas:  
To be performed in designated areas only and surrounded with silt fence.
  - Waste containment areas:  
To be performed in designated areas only and surrounded with silt fence.
  - Service areas:  
To be performed in designated areas only and surrounded with silt fence.
- BMP's for wind erosion:  
Stockpiles and site as needed to be watered regularly to eliminate / control wind erosion
- Construction Vehicles and Equipment:
  - Maintenance
    - Maintain all construction equipment to prevent oil or other fluid leaks.
    - Keep vehicles and equipment clean, prevent excessive build-up of oil and grease.
    - Regularly inspect on-site vehicles and equipment for leaks, and repair immediately.
    - Check incoming vehicles and equipment (including delivery trucks, and employee and subcontractor vehicles) for leaking oil and fluids. Do not allow leaking vehicles or equipment on-site.
    - Segregate and recycle wastes, such as greases, used oil or oil filters, antifreeze, cleaning solutions, automotive batteries, hydraulic, and transmission fluids.
  - Fueling
    - If fueling must occur on-site, use designated areas away from drainage.
    - Locate on-site fuel storage tanks within a bermed area designed to hold the tank volume.
    - Cover retention area with an impervious material and install in a manner to ensure that any spills will be contained in the retention area. To catch spills or leaks when removing or changing fluids.
    - Use drip pans for any oil or fluid changes.
  - Washing
    - Use as little water as possible to avoid installing erosion and sediment controls for the wash area.
    - If washing must occur on-site, use designated, bermed wash areas to prevent waste water discharge into storm water, creeks, rivers, and other water bodies.
    - Use phosphate-free, biodegradable soaps.
    - Do not permit steam cleaning on-site.
- Spill Prevention and Control
  - Minor Spills:  
Minor spills are those which are likely to be controlled by on-site personnel. After contacting local emergency response agencies, the following actions should occur upon discovery of a minor spill:
    - Contain the spread of the spill.
    - If the spill occurs on paved or impermeable surfaces, clean up using "dry" methods (i.e. absorbent materials, cat litter, and / or rags).
    - If the spill occurs in dirt areas, immediately contain the spill by constructing an earth dike. Dig up property dispose of contaminated soil.
    - If the spill occurs during rain, cover the impacted area to avoid runoff.
    - Record all steps taken to report and contain spill.
  - Major Spills:  
On-site personnel should not attempt to control major spills until the appropriate and qualified emergency response staff have arrived at the site. For spills of federal reportable quantities, also notify the National Response Center at (800) 424-8802. A written report should be sent to all notified authorities. Failure to report major spills can result in significant fines and penalties.
- Post Roadway / Utility Construction
  - Maintain good housekeeping practices.
  - Enclose or cover building material storage areas.
  - Properly store materials such as paints and solvents.
  - Store dry and wet materials under cover, away from drainage areas.
  - Avoid mixing excess amounts of fresh concrete or cement on-site.
  - Perform washout of concrete trucks offsite or in designated areas only.
  - Do not wash out concrete trucks into storm drains, open ditches, streets or streams.
  - Do not place material or debris into streams, gutters or catch basins that stop or reduce the flow of runoff water.
  - All public streets and storm drain facilities shall be maintained free of building materials, mud and debris caused by grading or construction operations. Roads will be swept within 1000' of construction entrance daily, if necessary.
  - Install straw wattle around all inlets contained within the development and all others that receive runoff from the development.
- Erosion Control Plan Notes
  - The contractor will designate an emergency contact that can be reached 24 hours a day 7 days a week.
  - A stand-by crew for emergency work shall be available at all times during potential rain or snow runoff events. Necessary materials shall be available on site and stockpiled at convenient locations to facilitate rapid construction of emergency devices when rain or runoff is eminent.
  - Erosion control devices shown on the plans and approved for the project may not be removed without approval of the engineer of record. If devices are removed, no work may continue that have the potential of erosion without consulting the engineer of record. If deemed necessary erosion control should be reestablished before this work begins.
  - Graded areas adjacent to fill slopes located at the site perimeter must drain away from the top of the slope at the conclusion of each working day. This should be confirmed by survey or other means acceptable to the engineer of record.
  - All silt and debris shall be removed from all devices within 24 hours after each rain or runoff event.
  - Except as otherwise approved by the inspector, all removable protective devices shown shall be in place at the end of each working day and through weekends until removal of the system is approved.
  - All loose soil and debris, which may create a potential hazard to offsite property, shall be removed from the site as directed by the Engineer of record of the governing agency.
  - The placement of additional devices to reduce erosion damage within the site is left to the discretion of the Engineer of record.
  - Desilting basins may not be removed or made inoperable without the approval of the engineer of record and the governing agency.
  - Erosion control devices will be modified as need as the project progresses, and plans of these changes submitted for approval by the engineer of record and the governing agency.
- Conduct a minimum of one inspection of the erosion and sediment controls every two weeks. Maintain documentation on site.
  - Part III.D.4 of general permit UTR300000 identifies the minimum inspection requirements.
  - Part II.D.4.C identifies the minimum inspection report requirements.
  - Failure to complete and/or document storm water inspections is a violation of part III.D.4 of Utah General Permit UTR 300000.



**Perspective View**



**Section**

**INSTALLATION**

The silt fence should be installed prior to major soil disturbances in the drainage area. The fence should be placed across the slope along a line of uniform elevation wherever flow of sediment is anticipated. Table 1 shows generally-recommended maximum slope lengths (slope spacing between fences) at various site grades for most silt fence applications.

| TABLE 1:<br>Recommended Maximum Slope Lengths<br>for Silt Fence<br>(Richardson & Middlebrooks, 1991) |                             |
|--|-----------------------------|
| Slope Steepness (%)  | Max. Slope Length<br>m (ft) |
| <2%  | 30.5m (100ft)               |
| 2-5%   | 22.9m (75ft)                |
| 5-10%  | 15.2m (50ft)                |
| 10-20%   | 7.6m (25ft)                 |
| >20%   | 4.5m (15ft)                 |

**PREFABRICATED SILT FENCE ROLLS**

- Excavate a minimum 15.2cm x 15.2cm (6"x6") trench at the desired location.
- Unroll the silt fence, positioning the post against the downstream wall of the trench.
- Adjacent rolls of silt fence should be joined by nesting the end post of one fence into the other. Before nesting the end posts, rotate each post until the geotextile is wrapped completely around the post, then abut the end posts to create a tight seal as shown in Figure 1.
- Drive posts into the ground until the required fence height and/or anchorage depth is obtained.
- Bury the loose geotextile at the bottom of the trench in the upstream trench and backfill with natural soil, tamping the backfill to provide good compaction and anchorage. Figure 2 illustrates a typical silt fence installation and anchor trench placement.

should generally be less than three (3) times the height of the fence.

- If a steel or plastic mesh is required to reinforce the geotextile, it shall have a minimum mesh opening of 15.2cm (6").
- Fasten the mesh to the upslope side of the posts using heavy duty wire staples, tie wires or hog strings. Extend the mesh into the bottom of the trench.
- The geotextile shall then be stapled or wired to the posts. An extra 20-50cm (8-20") of geotextile shall extend into the trench.

**INSPECTION**

- Inspect the silt fence daily during periods of rainfall, immediately after significant rainfall event and weekly during periods of no rainfall. Make any repairs immediately.
- When sediment deposits behind the silt fence are one-third of the fence height, remove and properly dispose of the silt accumulations. Avoid damage to the fabric during cleanout.

**REMOVAL**

- Silt fence should not be removed until construction ceases and the upslope area has been properly stabilized and/or revegetated.

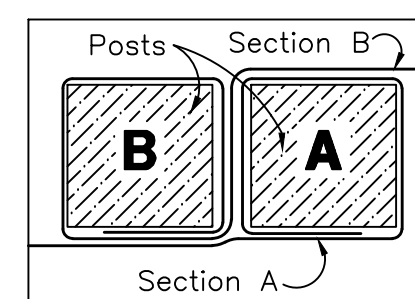
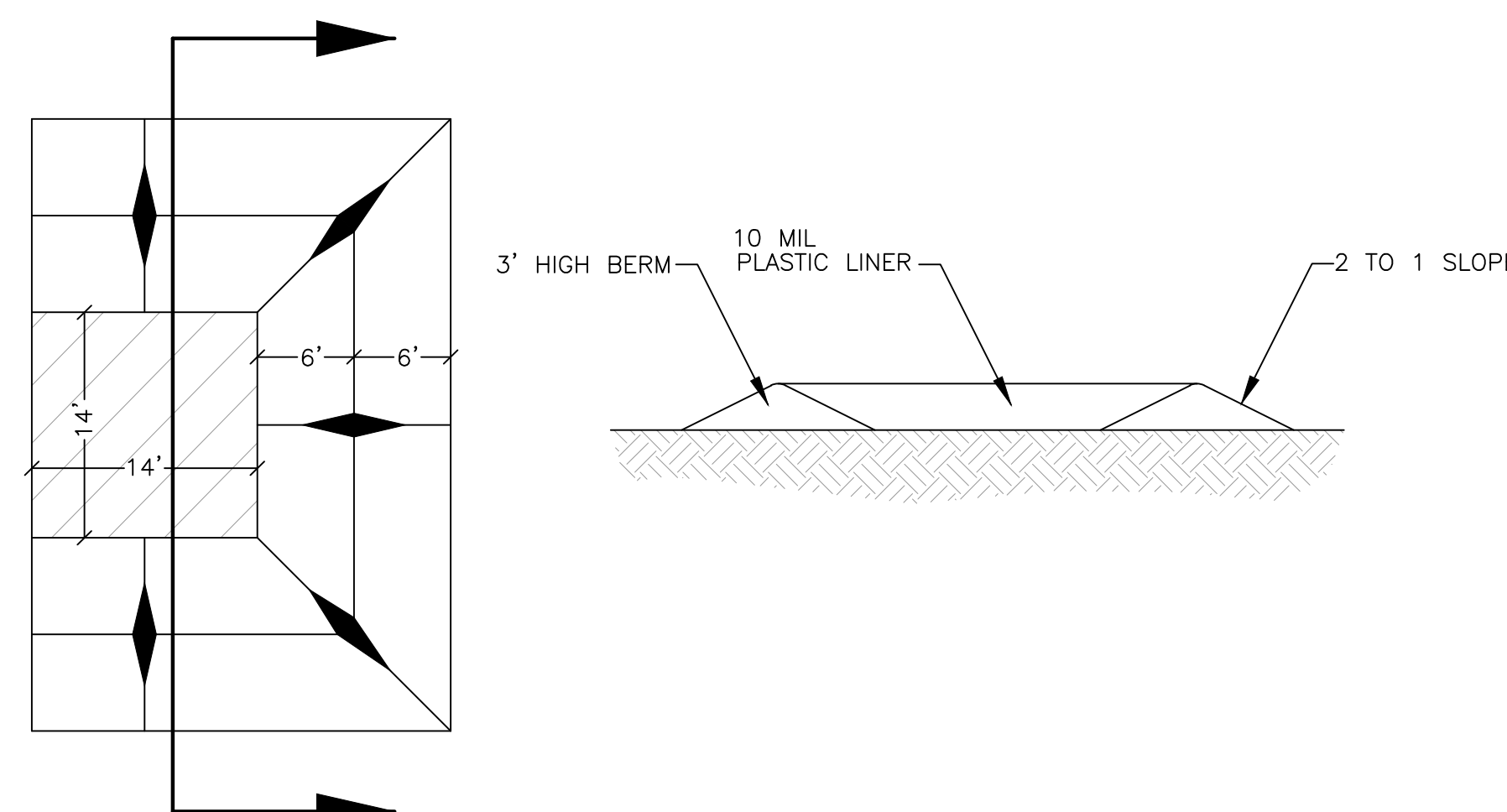


Figure 1:  
Top View of  
Roll-to-Roll Connection

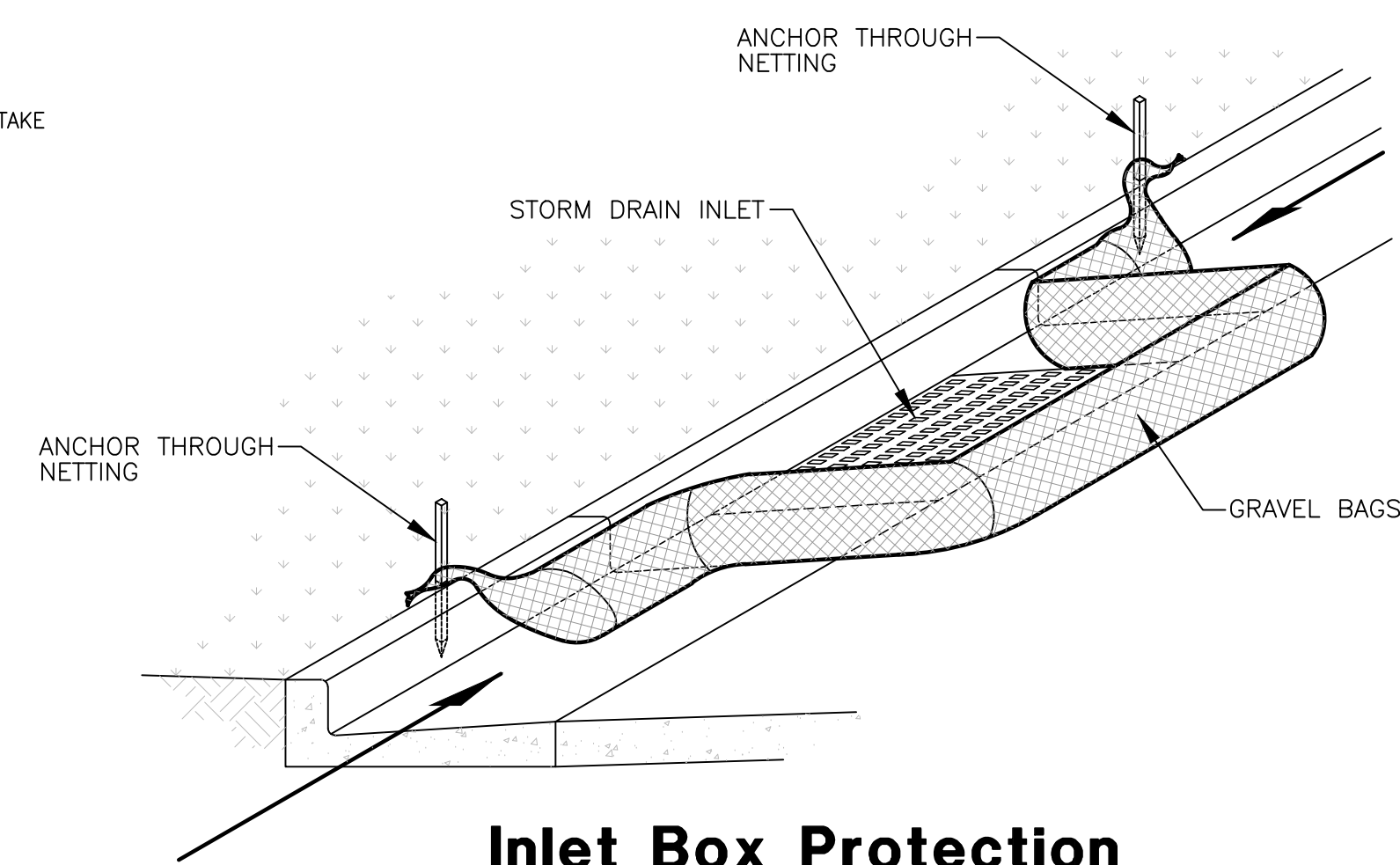
**Silt Fence Detail**

SCALE: NONE

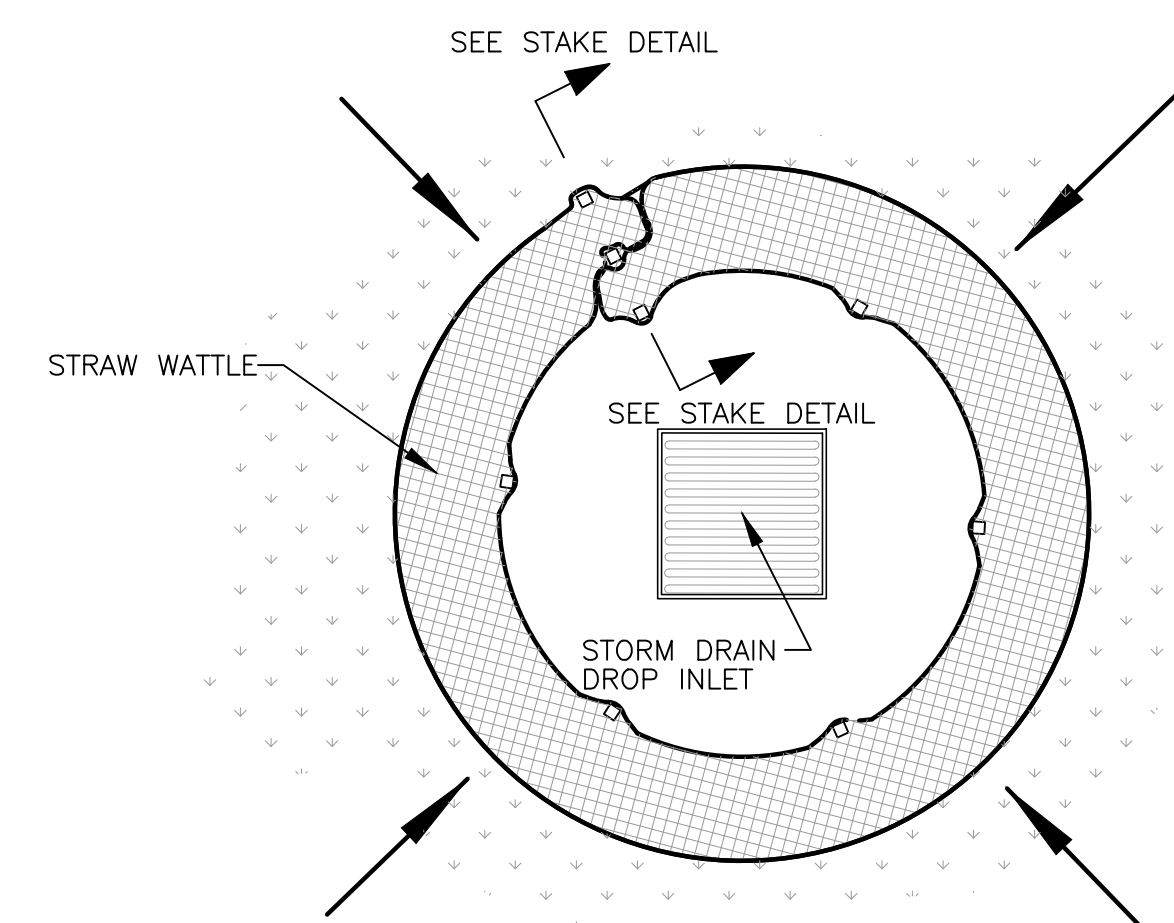


**Concrete Washout Area w/ 10 mil Plastic Liner**

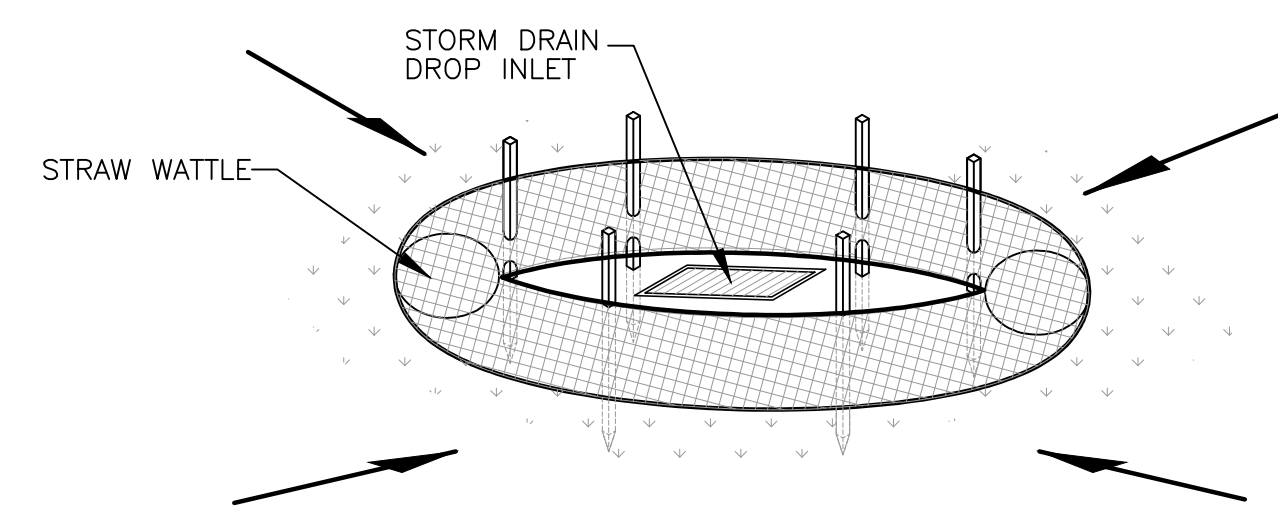
SCALE: NONE



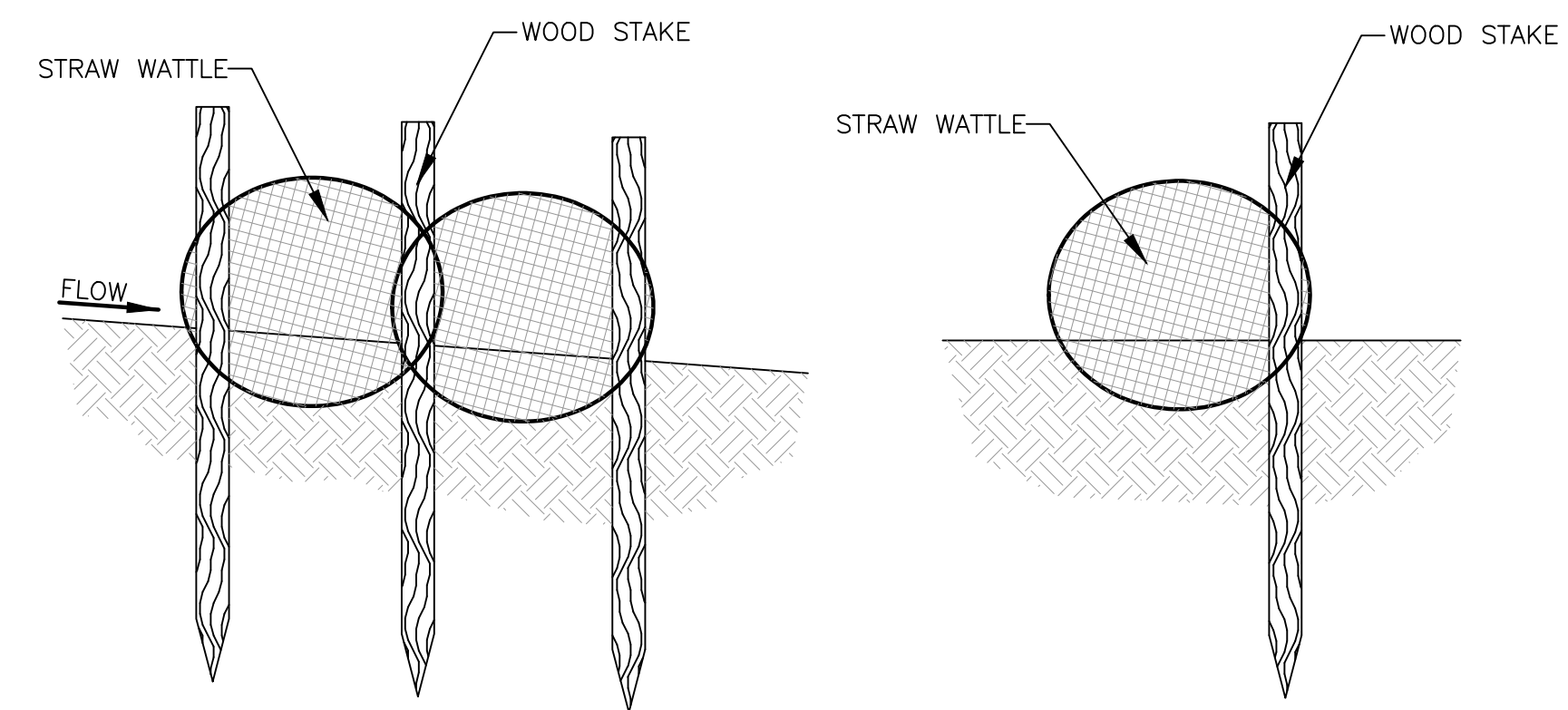
**Inlet Box Protection**



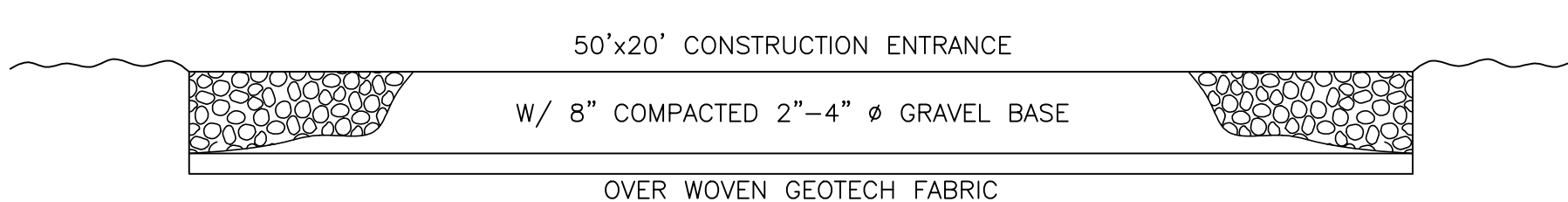
**Plan View**



**Drop Inlet Protection**



**Stake Detail**



**Cross Section 50' x 20' Construction Entrance**

**Reeve & Associates, Inc.**  
920 CHAMBERS STREET, SUITE 14, OGDEN, UTAH 84403  
TEL: (801) 621-2100 FAX: (801) 621-2666 www.reeve-assoc.com  
**IRA**  
LAND PLANNERS • CIVIL ENGINEERS • LAND SURVEYORS  
TRAFFIC ENGINEERS • STRUCTURAL ENGINEERS • LANDSCAPE ARCHITECTS

| REVISIONS | DATE     | DESCRIPTION        |
|-----------|----------|--------------------|
|           | 09-20-16 | CK County Comments |
|           | 12-13-16 | ER County Comments |

**Vaquero Village Subdivision Phase 1**  
WEBER COUNTY, UTAH  
**Storm Water Pollution Prevention Plan Details**

**REGISTERED PROFESSIONAL ENGINEER**  
375328  
J. NATE REEVE  
STATE OF UTAH

**Project Info.**  
Engineer: J. NATE REEVE  
Drafted: C. KINGSLEY  
Begin Date: 4-4-16  
Name: VAQUERO VILLAGE SUBDIVISION PHASE 1  
Number: 6352-01

Sheet **11**  
**M** Sheets

1/4/2016 1:03:32 PM E:\Projects\100360013\Improvements\Borrow Imp 1.dwg



