

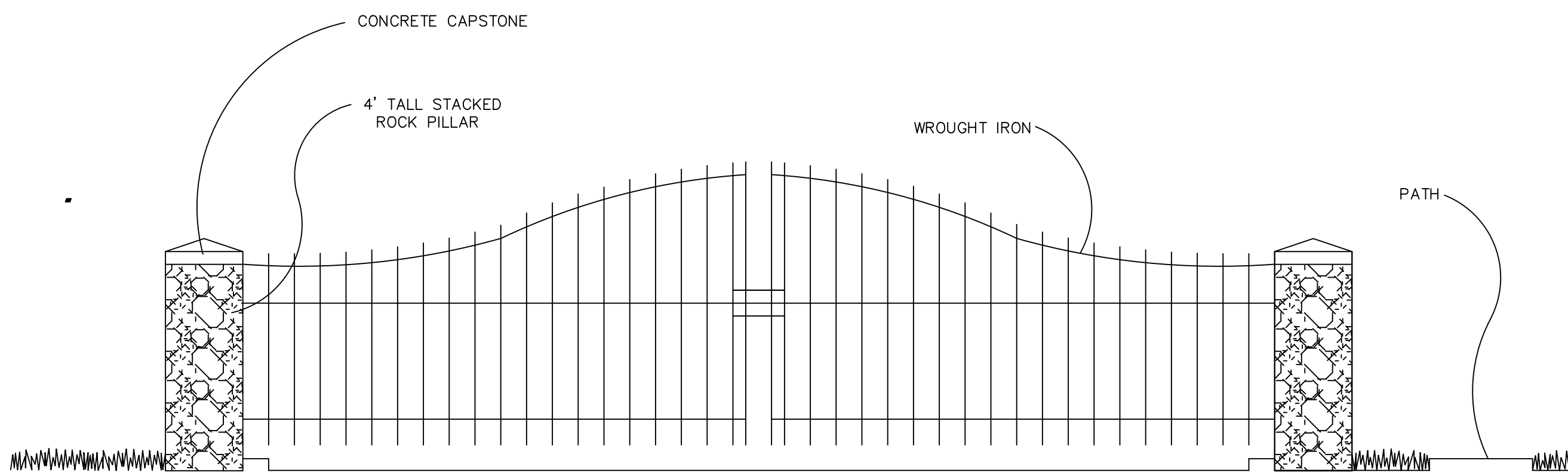
PLANT LEGEND - Total Plants

Code	Botanical Name	Common Name	Planting Size/Condition	Number
TREES				
	<i>Acer glabrum</i>	Rocky Mountain Maple	2" cal./B&B	5
	<i>Acer grandidentatum (clump)</i>	Big Tooth Maple (clump)	2" cal./B&B	9
	<i>Picea pungens</i>	Blue Spruce	8' Height/cont.	6
	<i>Populus x canadensis 'Robusta'</i>	Robusta Poplar	2" cal./B&B	21
	<i>Populus tremuloides</i>	Quaking Aspen	2" cal./B&B	19
	<i>Prunus padus</i>	Mayday Tree	2" cal./B&B	9
	<i>Prunus virginiana 'Shubert'</i>	Canadian Chokecherry	2" cal./B&B	14

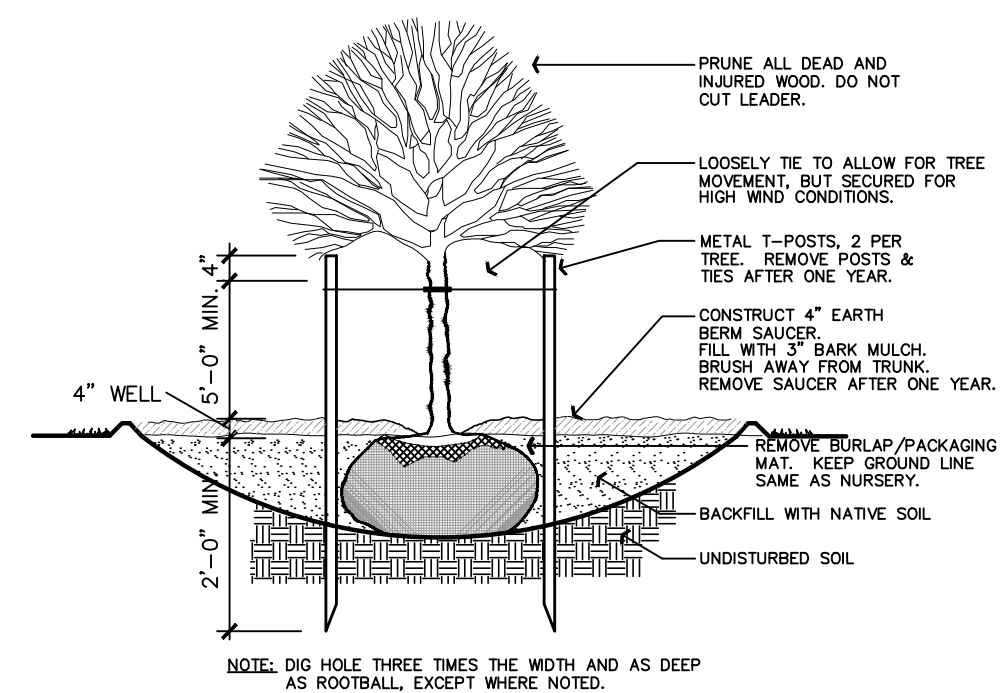
NOTE: Irrigation shall be designed by owner's licensed landscape contractor.
 NOTE: Landscape shall be maintained by home owner's association.

Legend

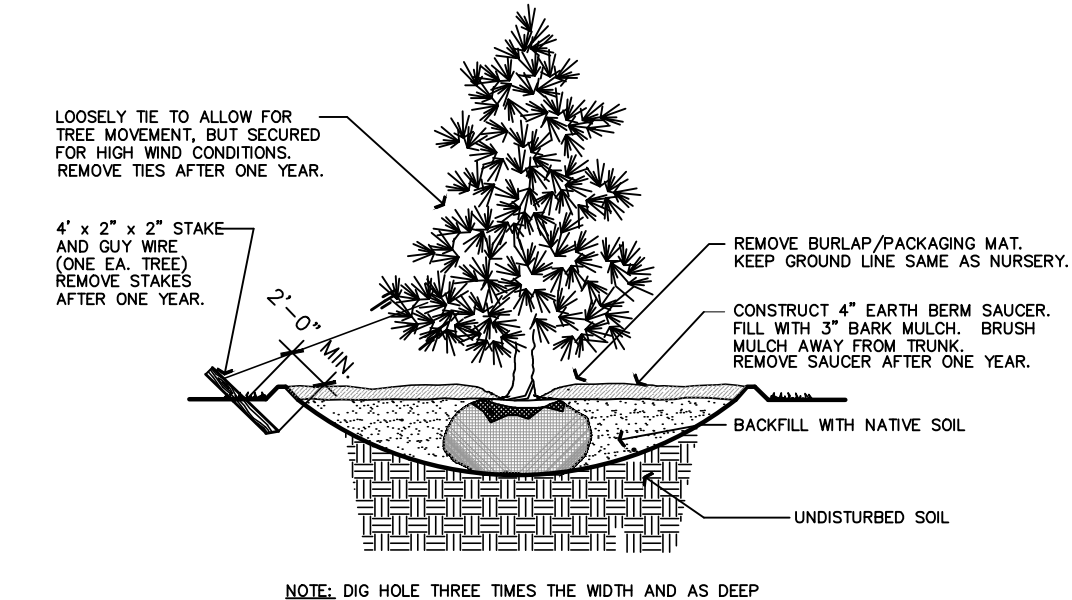
- Benches along walking path
- Gravel Walking Path
- Gravel Bike/Walking Path
- Existing Vegetation - Keep as many trees as possible.



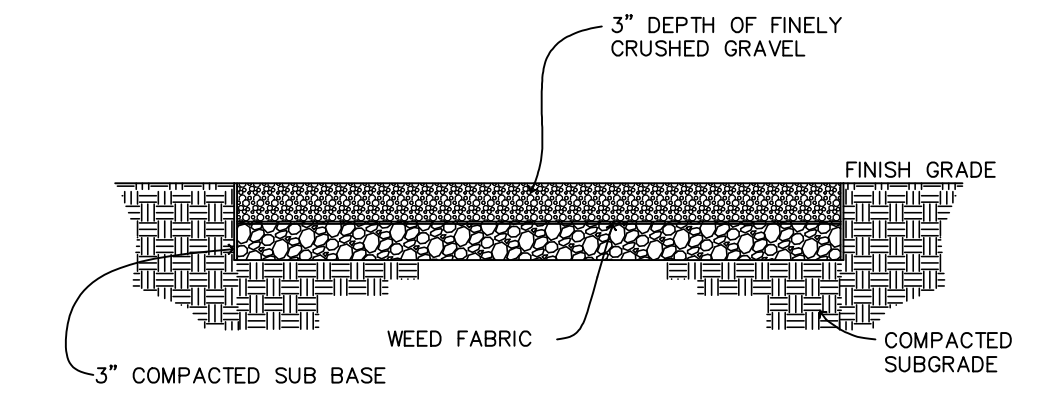
ENTRY GATE CONCEPT
N.T.S.



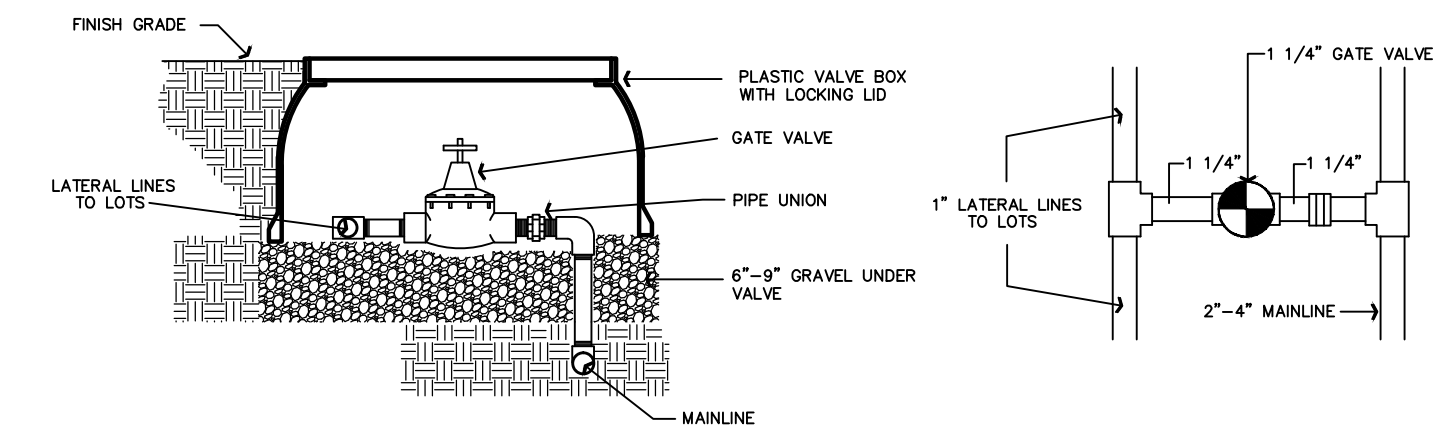
DECIDUOUS TREE PLANTING
SCALE: NOT TO SCALE



CONIFEROUS TREE PLANTING
SCALE: N.T.S.



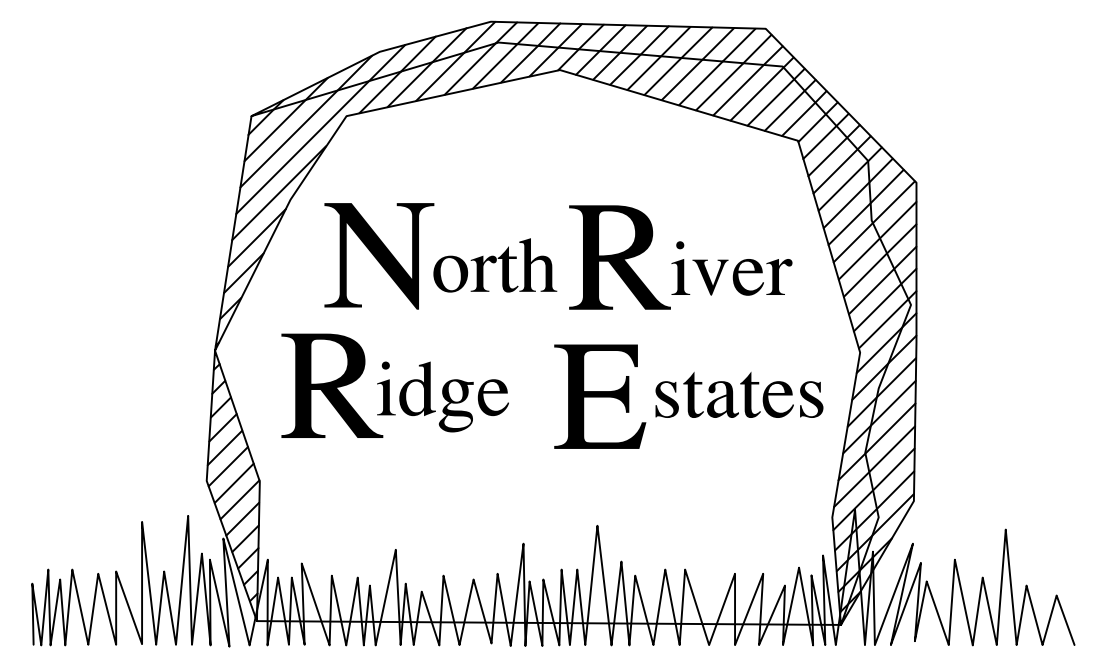
6' WIDE GRAVEL WALK
N.T.S.



TYPICAL LOT IRRIGATION CONNECTION
SCALE: NOT TO SCALE

IRRIGATION SCHEDULE

SYMBOL	MANUFACTURER	CATALOG NUMBER	DESCRIPTION
	RAINBIRD	XERIBUG EMITTERS	2 GALLONS PER HOUR, THREE EMITTERS PER TREE MINIMUM. (EMITTER LOCATIONS NOT SHOWN ON PLAN.)
	RAINBIRD	PGA SERIES	PRESSURE REGULATING PLASTIC REMOTE CONTROL VALVE
	VALVE NO & CONTROLLER		VALVE ID BOX
			1-1/2" MAINLINE - CLASS 40 PVC
			LATERAL LINE - CLASS 200 PVC
	RAINBIRD	MODEL ESP-7	OUTDOOR MOUNT 7 STATION CONTROLLER, MOUNTED ON PEDESTAL
	RAINBIRD	MODEL ESP-4i	INDOOR MOUNT 4 STATION CONTROLLER
			SLEEVING - CLASS 40 PVC, 2 SIZES GREATER THAN INTERIOR PIPE
			GATE VALVE - SIZE PER PIPE - PLACE SLEEVE OVER VALVE



MONUMENT SIGN CONCEPT
N.T.S.

North River Ridge Estates

Weber County, Utah

Reeve & Associates, Inc.
 4155 S. HARRISON BLVD., SUITE 310, OGDEN, UTAH 84403
 TEL: (801) 621-3100 FAX: (801) 621-2666 www.reeve-assoc.com

IRA

REVISIONS	DATE	DESCRIPTION
1	1-17-07	Change to Landscape & Irr.

North River Ridge Estates
 Weber County, Utah

Detail Sheet

Preliminary
 INFORMATION CONTAINED HEREIN HAS NOT BEEN FINAL CHECKED. IT IS PROVIDED AT THIS TIME FOR PRELIMINARY REVIEW ONLY AND THE DATA SHOWN HEREON SHOULD NOT BE RELIED UPON FOR FINAL APPROVAL, DOCUMENTATION, DESIGN, AND/OR CONSTRUCTION.

Project Info.
 Engineer: J. Reeve
 Landscape Architect: D. Reynolds
 Begin Date: May 6, 2006
 Name: North River Ridge Estates
 Number: 5265-01

Sheet **3**
 3 Sheets

Revised: January 17, 2007