

HEWARD SUBDIVISION

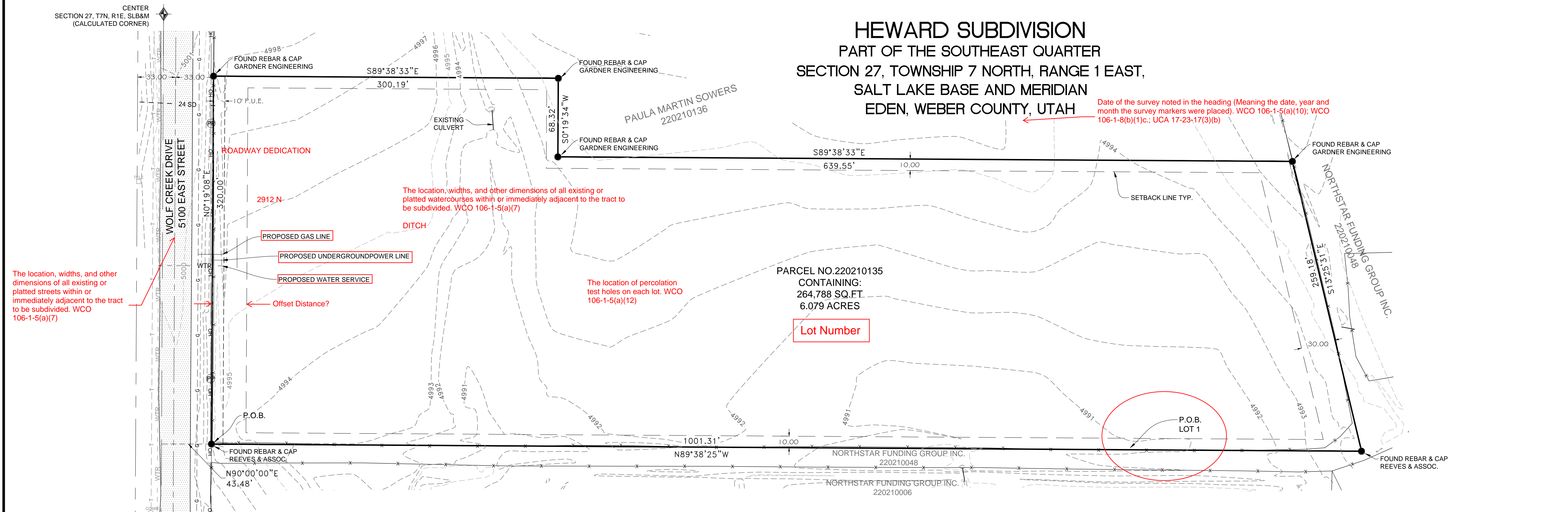
PART OF THE SOUTHEAST QUARTER

SECTION 27, TOWNSHIP 7 NORTH, RANGE 1 EAST,

SALT LAKE BASE AND MERIDIAN

EDEN, WEBER COUNTY, UTAH

Date of the survey noted in the heading (Meaning the date, year and month the survey markers were placed). WCO 106-1-5(a)(10); WCO 106-1-8(b)(1)c; UCA 17-23-17(3)(b)



The location, widths, and other dimensions of all existing or platted streets within or immediately adjacent to the tract to be subdivided. WCO 106-1-5(a)(7)

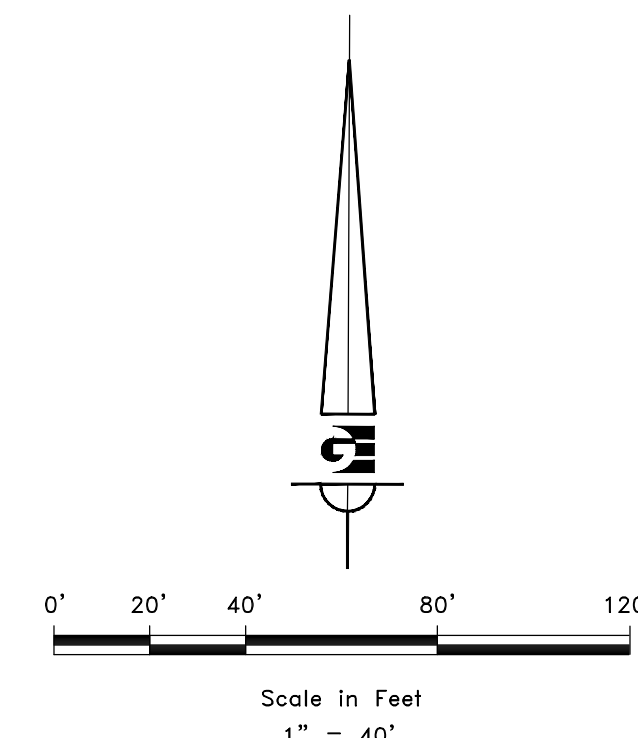
The location, widths, and other dimensions of all existing or platted watercourses within or immediately adjacent to the tract to be subdivided. WCO 106-1-5(a)(7)

The location of percolation test holes on each lot. WCO 106-1-5(a)(12)

Offset Distance?

LEGEND

- WEBER COUNTY MONUMENT AS NOTED
- SET 24" REBAR AND CAP MARKED GARDNER ENGINEERING
- PROPERTY LINE
- ADJACENT PARCEL
- SECTION LINE
- PUBLIC UTILITY EASEMENT (P.U.E.)
- EXISTING FENCE
- OH EXISTING OVERHEAD POWER
- G EXISTING GAS LINE
- WTR EXISTING WATER LINE
- T EXISTING TELEPHONE LINE
- SD EXISTING STORM DRAIN
- EXISTING ASPHALT
- PP POWER POLE
- WATER VALVE



NARRATIVE:

THE PURPOSE OF THIS SURVEY WAS TO CREATE A ONE LOT SUBDIVISION ON THE PROPERTY NO. 220210135 AS SHOWN AND DESCRIBED HEREON. THE SURVEY WAS ORDERED BY PAULA HEWARD, THE BASIS OF BEARING IS THE SOUTH LINE OF THE SOUTHWEST QUARTER OF SECTION 27, TOWNSHIP 7 NORTH, RANGE 1 EAST, OF THE SALT LAKE BASE AND MERIDIAN WHICH BEARS SOUTH 89°35'03" EAST WEBER COUNTY, UTAH NORTH, NAD 83 STATE PLANE GRID BEARING. THE BOUNDARY WAS ESTABLISHED BY HONORING THE DEED AND THE SOWERS SUBDIVISION TO THE NORTH. THE CENTERLINE OF 5100 EAST STREET WAS ESTABLISHED BY HONORING THE SOWERS SUBDIVISION TO THE NORTH.

ACKNOWLEDGMENT

STATE OF UTAH)
 COUNTY OF WEBER) S.S.
 On this _____ day of _____, A.D. 2015, before me _____, a notary public, personally appeared Charles W. Heward and Barbara J. Heward, joint tenants, the signers of the above Owner's Dedication, provided on the basis of satisfactory evidence to be the persons whose names are subscribed to this instrument, and acknowledged they executed the same. Witness my hand and official seal.

NOTARY PUBLIC

OWNER'S DEDICATION

WE THE UNDERSIGNED OWNERS OF THE HEREIN DESCRIBED TRACT OF LAND, DO HEREBY SET APART AND SUBDIVIDE THE SAME IN A LOTS AND STREETS, AS SHOWN HEREON AND NAME SAID TRACT, HEWARD SUBDIVISION AND HEREBY GRANT, DEDICATE AND CONVEY TO WEBER COUNTY, UTAH ALL THOSE PARTS OR PORTIONS OF SAID TRACT OF LAND DESIGNATED AS PUBLIC UTILITY, THE SAME TO BE USED FOR THE INSTALLATION MAINTENANCE AND OPERATION OF PUBLIC UTILITY SERVICE LINE, STORM DRAINAGE FACILITIES, IRRIGATION CANALS OR THE PERPETUAL PRESERVATION OF WATER CHANNELS IN THEIR NATURAL STATE WHICHEVER IS APPLICABLE AS MAY BE AUTHORIZED BY THE GOVERNING AUTHORITY, WITH NO BUILDINGS OR STRUCTURES BEING ERECTED WITHIN SUCH EASEMENTS.

On this _____ day of _____, 2015

CHARLES W. HEWARD, JOINT TENANT

BARBARA J. HEWARD, JOINT TENANT

BOUNDARY DESCRIPTION

A PART OF THE SOUTHEAST QUARTER OF SECTION 27, TOWNSHIP 7 NORTH, RANGE 1 EAST, OF THE SALT LAKE BASE AND MERIDIAN, MORE PARTICULARLY DESCRIBED AS FOLLOWS: BEGINNING AT A POINT ON THE EASTERLY RIGHT-OF-WAY LINE OF 5100 EAST STREET AT AN EXISTING FENCE CORNER BEING LOCATED NORTH 0°16'28" EAST 1167.32 FEET ALONG THE WEST LINE OF THE SOUTHEAST QUARTER OF SAID SECTION, AND NORTH 90°00'00" EAST 43.48 FEET FROM THE SOUTH QUARTER CORNER OF SAID SECTION; RUNNING THENCE ALONG SAID RIGHT-OF-WAY LINE NORTH 0°19'08" EAST 320.00 FEET; THENCE SOUTH 89°38'33" EAST 300.19 FEET; THENCE SOUTH 0°19'34" WEST 68.32 FEET; THENCE SOUTH 89°38'33" EAST 639.55 FEET TO AN EXISTING FENCE LINE; THENCE ALONG SAID FENCE LINE SOUTH 132°25'34" WEST 309.18 FEET; THENCE NORTH 89°38'25" WEST 1001.31 FEET TO THE POINT OF BEGINNING, CONTAINING 264,788 SQ. FT. OR 6.079 ACRES, MORE OR LESS.

Doesn't match map

SURVEYOR'S CERTIFICATE

I, KLINT H. WHITNEY DO HEREBY CERTIFY THAT I AM A REGISTERED PROFESSIONAL LAND SURVEYOR IN THE STATE OF UTAH IN ACCORDANCE WITH TITLE 58, CHAPTER 22 PROFESSIONAL ENGINEERS AND LAND SURVEYORS ACT; AND THAT I HAVE COMPLETED A SURVEY OF THE PROPERTY DESCRIBED ON THIS PLAT IN ACCORDANCE WITH SECTION 17-23-17 AND HAVE VERIFIED ALL MEASUREMENTS, AND HAVE PLACED MONUMENT AS REPRESENTED ON THIS PLAT, AND THIS PLAT OF HEWARD SUBDIVISION IN WEBER COUNTY, UTAH, HAS BEEN DRAWN CORRECTLY TO THE DESIGNATED SCALE AND IS A TRUE AND CORRECT REPRESENTATION OF THE HEREIN DESCRIBED LANDS INCLUDED IN SAID SUBDIVISION, BASED UPON DATA COMPILED FROM RECORDS IN THE WEBER COUNTY RECORDERS OFFICE AND FROM SAID SURVEY MADE BY ME ON THE GROUND, I FURTHER CERTIFY THAT THE REQUIREMENTS OF ALL APPLICABLE STATUTES AND ORDINANCES OF WEBER COUNTY CONCERNING ZONING REQUIREMENTS REGARDING LOT MEASUREMENTS HAVE BEEN COMPLIED WITH.

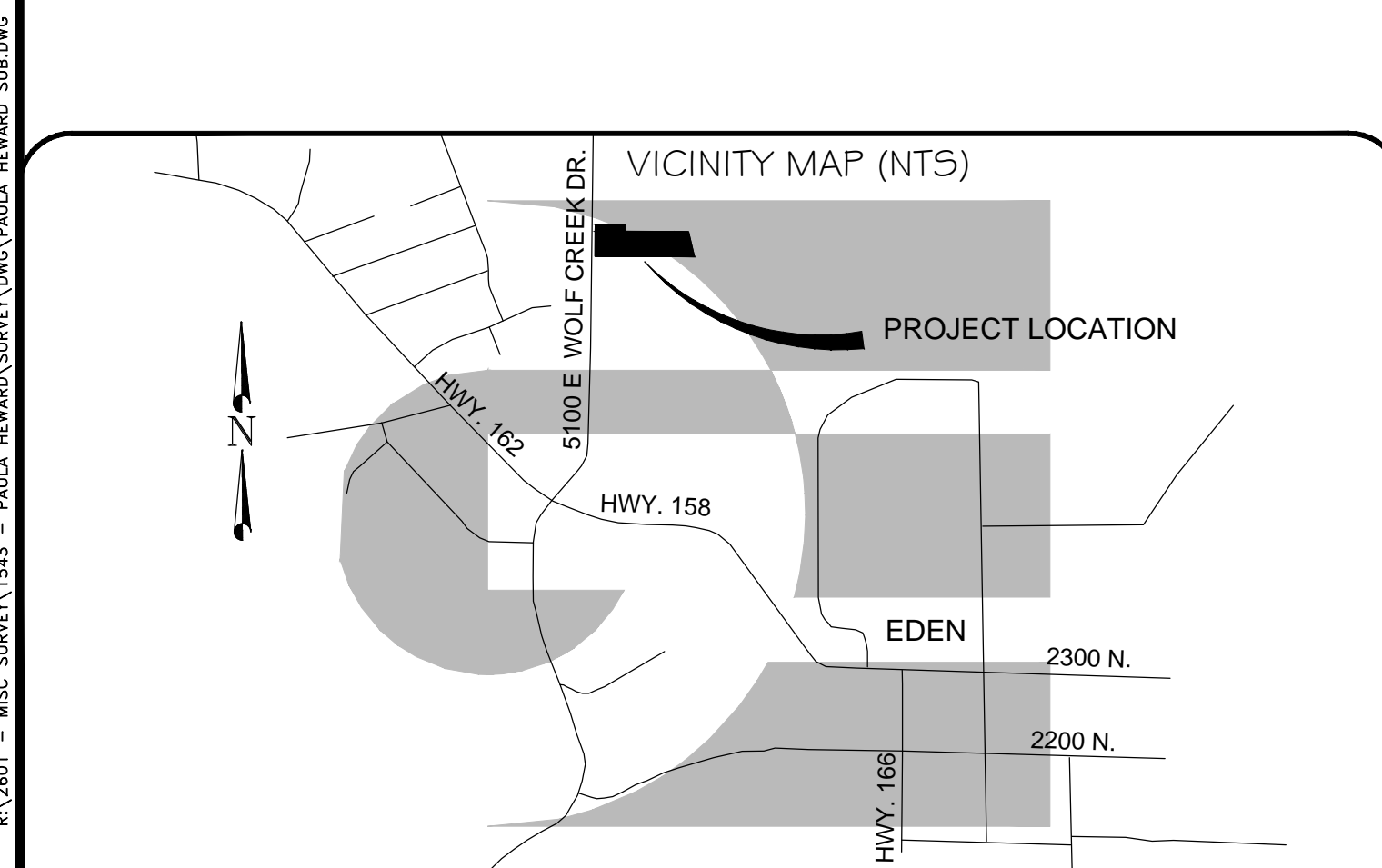
SIGNED THIS _____ DAY OF _____, 2015



SOUTHWEST CORNER
SECTION 27, T7N, R1E, SLB&M
FOUND WEBER CO. BRASS CAP-1988
(FAIR CONDITION)

2667.67'
S89°35'03"E
(BASIS OF BEARING)

SOUTH QUARTER CORNER
SECTION 27, T7N, R1E, SLB&M
FOUND WEBER CO. BRASS CAP-1994
(GOOD CONDITION)



Weber COUNTY Commission Acceptance
This is to certify that this subdivision plat, the dedication of streets and other public ways and financial guarantee of public improvements associated with this subdivision, thereon are hereby approved and accepted by the Commissioners of Weber County, Utah this _____ day of _____, 2015

Chairman, Weber COUNTY Commission

 Attest: _____

 Title: _____

Weber COUNTY Surveyor
I hereby certify that the Weber County Surveyor's Office has reviewed this plat for mathematical correctness, section corner data, and for harmony with lines and monuments on record in COUNTY offices. The approval of this plat by the Weber County Surveyor does not relieve the Licensed Land Surveyor who execute this plat from the responsibilities and/or liabilities associated therewith.

Signed this _____ day of _____, 2015

 Signature

Weber COUNTY Planning Commission Approval
This is to certify that this subdivision plat was duly approved by the Weber COUNTY Planning Commission on the _____ day of _____, 2015

Chairman, Weber COUNTY Planning Commission

Weber COUNTY Attorney
I have examined the financial guarantee and other documents associated with this subdivision plat and in my opinion they conform with the COUNTY Ordinance applicable thereto and now in force and affect.

Signed this _____ day of _____, 2015

 Signature

Weber COUNTY Engineer
I hereby certify that the required public improvement standards and drawings for this subdivision conform with COUNTY standards and the amount of the financial guarantee is sufficient for the installation of these improvements.

Signed this _____ day of _____, 2015

 Signature

Add Phone number or remove

DEVELOPER:
PAULA HEWARD
3089 N WOLF CREEK DR
EDEN, UTAH 84301
801.XXX.XXXX

GARDNER ENGINEERING

CIVIL • LAND PLANNING
MUNICIPAL • LAND SURVEYING

5150 SOUTH 375 EAST OGDEN, UT
OFFICE: 801.476.0202 FAX: 801.476.0066

WEBER - MORGAN HEALTH DEPARTMENT

I do hereby certify that the soils, percolation rates, and site condition for this subdivision have been investigated by this office and are approved for on-site wastewater disposal systems.

This _____ day of _____, 2015

Director Weber-Morgan Health Department

COUNTY RECORDER

ENTRY NO. _____ FEE PAID
 _____ FILED FOR RECORD AND
 RECORDED _____, AT
 IN _____ BOOK _____ OF OFFICIAL
 RECORDS, PAGE _____, RECORDED
 FOR _____
 _____ COUNTY RECORDER
 BY: _____ DEPUTY