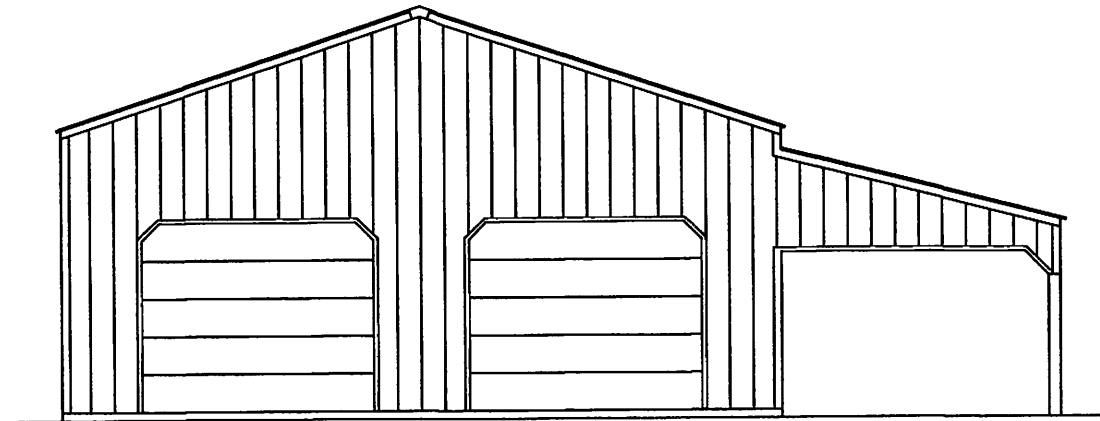


ROPER BUILDINGS

FARRELL BUILDING



BUILDING INFORMATION


SITE INFORMATION:
 ADDRESS:
 6223 W 1950 N
 WARREN, UTAH

BUILDING INFORMATION:
 DIMENSIONS: 30' x 42'
 TOTAL SQUARE FOOTAGE: 1764 S.F.
 MAIN BUILDING: 1260 S.F.
 LEANS: 504 S.F.

CONTACTS

CONTRACTOR:
 ROPER BUILDINGS
 CONTACT: DAN SCARBROUGH
 PHONE: 801-540-5586

DRAFTING:
 WILDING ENGINEERING, INC.
 CONTACT: DEREK LLOYD
 PHONE: 801-553-8112



14751 SOUTH HERITAGE CREEK WAY
 BLUFFDALE, UTAH 84005
 801.553.8112
 WWW.WILDINGENGINEERING.COM

DRAWING INDEX

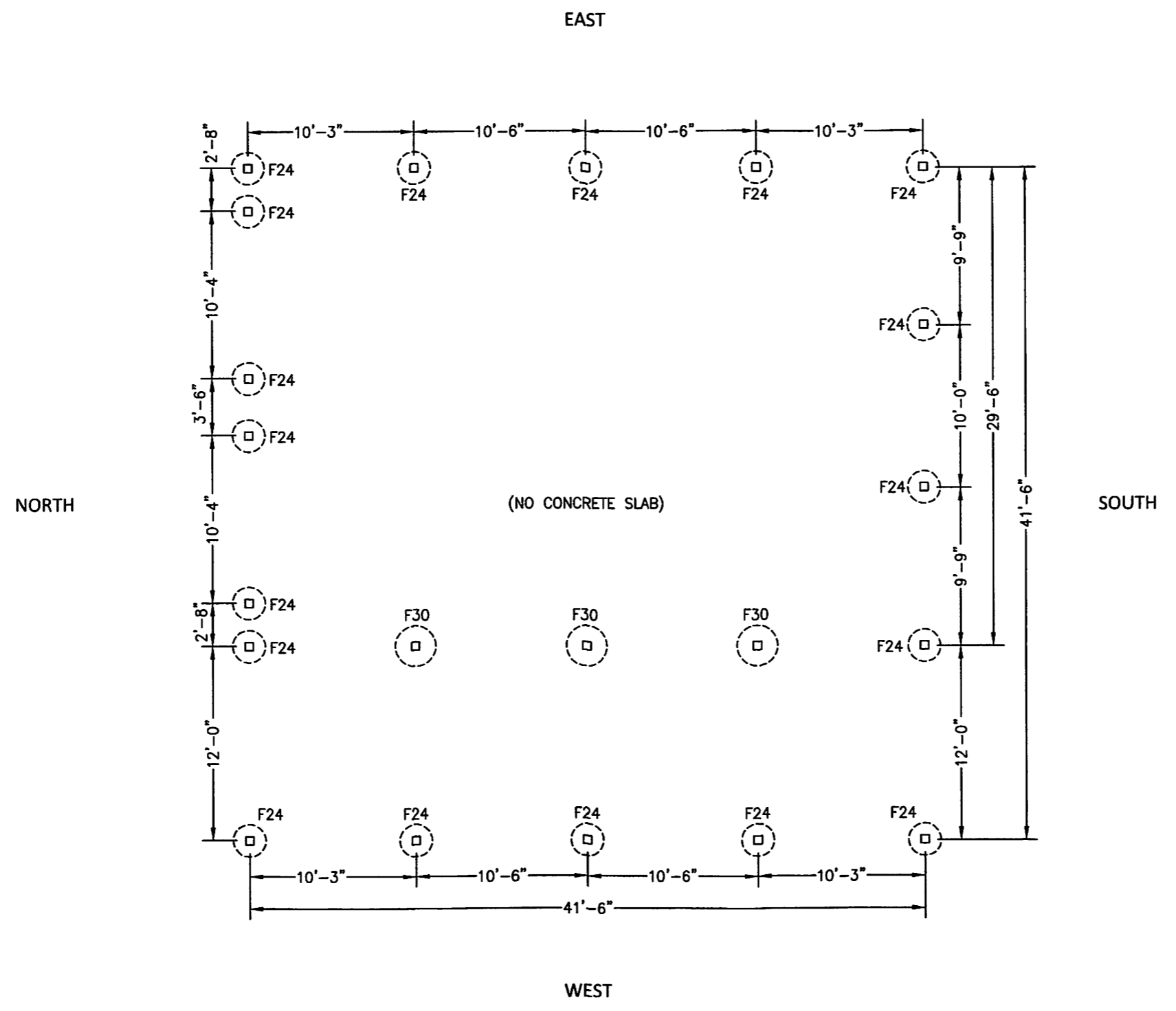
SHEET	DESCRIPTION
00	COVER SHEET
01	FOUNDATION PLAN
02	FLOOR PLAN
03	ROOF PLAN
04	GIRT PLAN
05	ELEVATIONS
06	PANEL LAYOUT
07-09	DETAIL SHEET

DATE
03/03/16

FOUNDATION PLAN



- PIERS:
1. F24: 24" DIA x 36" DEEP CONCRETE PIER
 2. F30: 30" DIA X 36" DEEP CONCRETE PIER



△	RELEASE TO CLIENT	03/03/16
NO.	REVISION	DATE

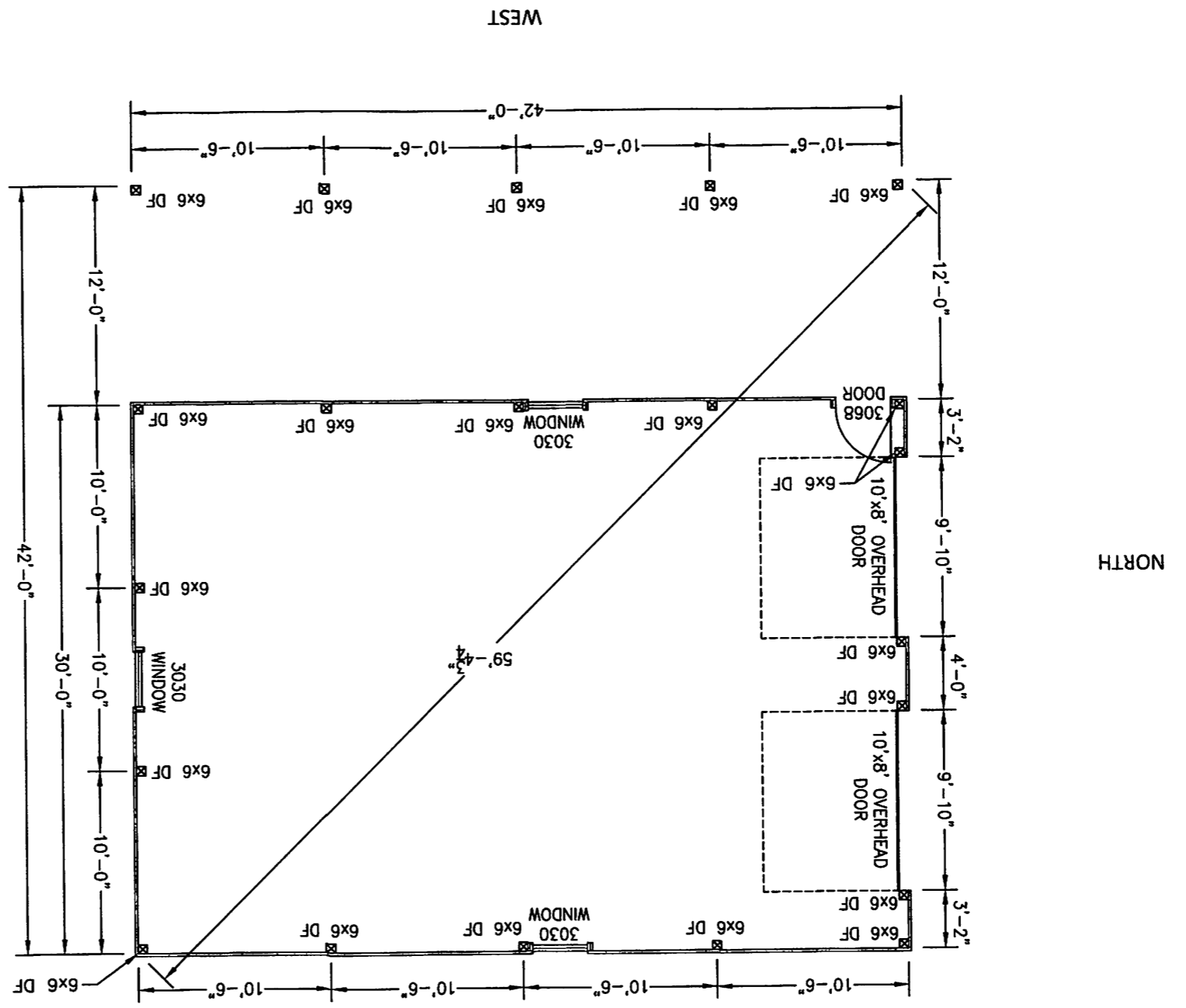
PROJECT INFORMATION	
FARRELL BUILDING	
FOUNDATION PLAN	
WARREN, UTAH	

DRAWN KRH	DATE 03/03/2016
CHECKED JDL	SCALE 1/8" = 1'-0"
PROJECT # 15109	SHEET 01

PROJECT # 15109	SHEET 02
CHECKED JDL	SCALE 1/8" = 1'-0"
DRAWN KRH	DATE 03/03/2016

FARRELL BUILDING
 FLOOR PLAN
 WARREN, UTAH

NO.	REVISION	DATE
0	RELEASE TO CLIENT	03/03/16



FLOOR PLAN

- NOTES:
- FLOOR AREA: 1260 SQ FT
 - 6X6 DF: 6X6 DF-L #2 TREATED POST. EMBED POST INTO CONCRETE PIER. SEE DETAIL ON SHEET 8.



ROOF PLAN

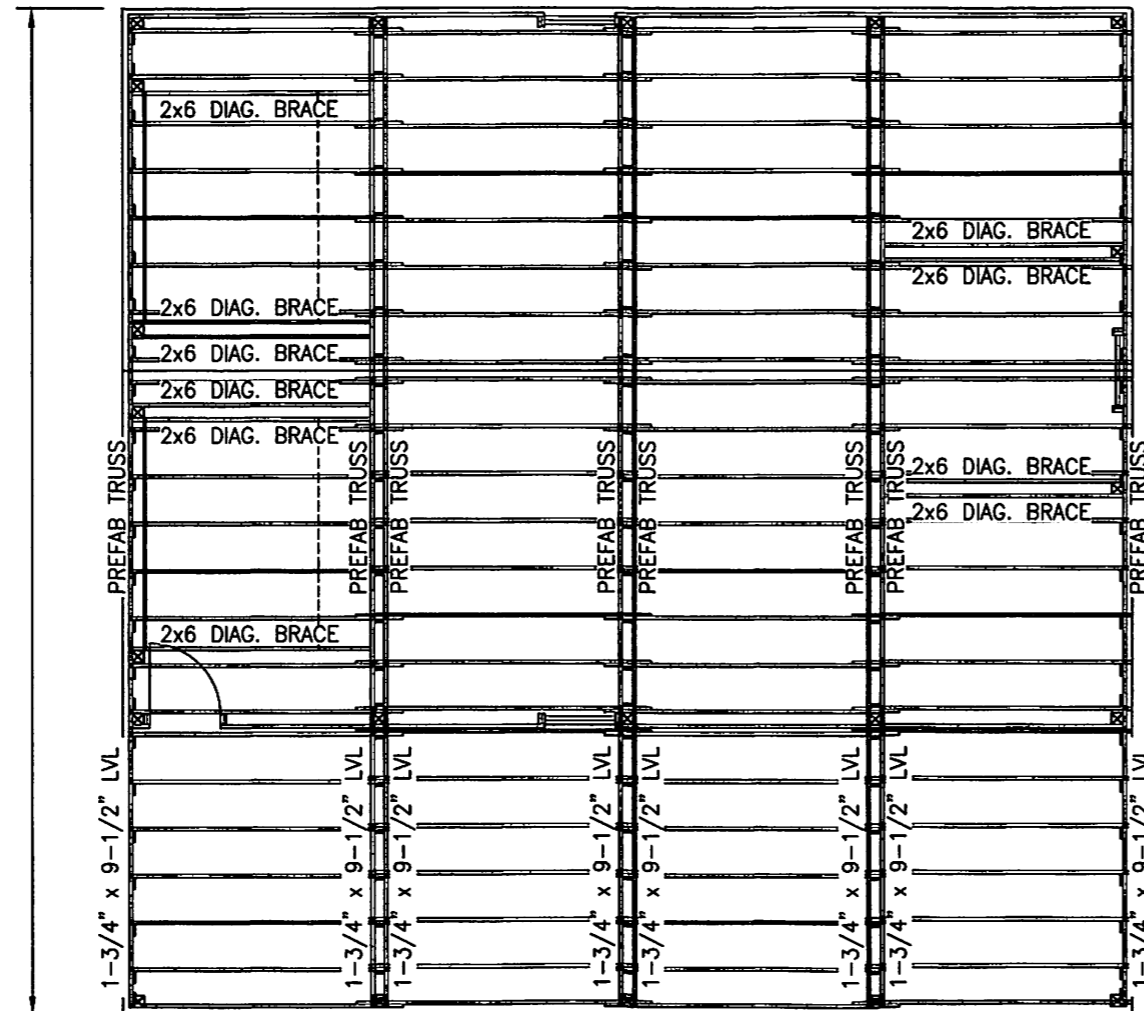


EAST

NORTH

SOUTH

2x6 DF-L #2 ROOF PURLINS AT 24" ON CENTER
OVERLAPPED 10" MIN (TYP.)
STARTING AT 5" MAX FROM RIDGE LINE



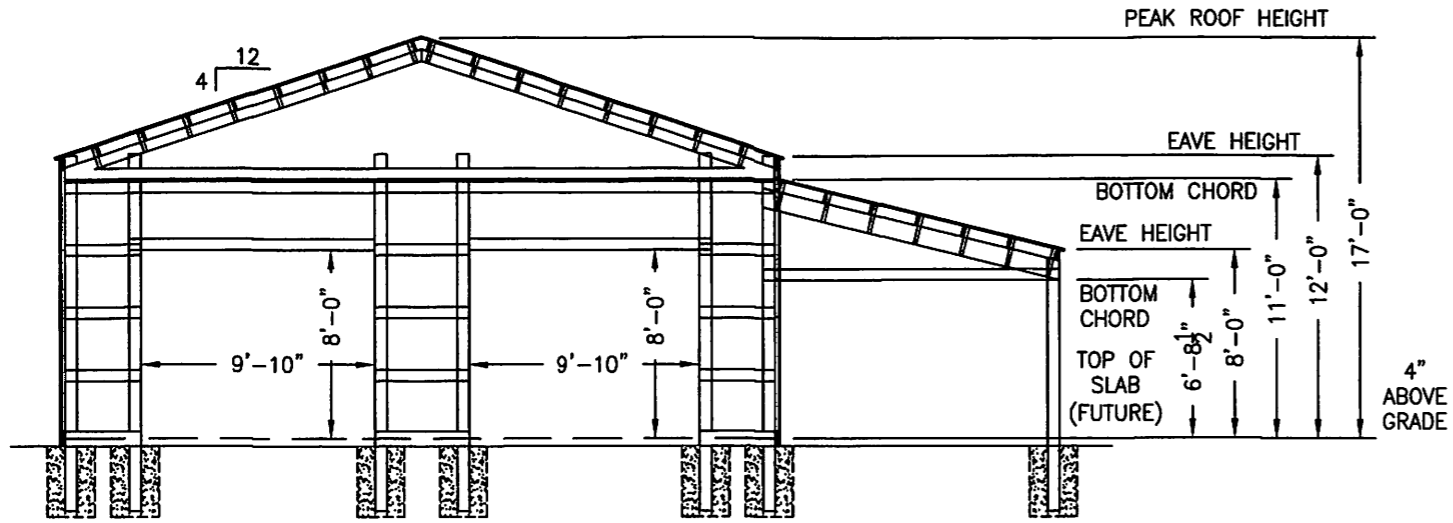
WEST

△	RELEASE TO CLIENT	03/03/16
NO.	REVISION	DATE

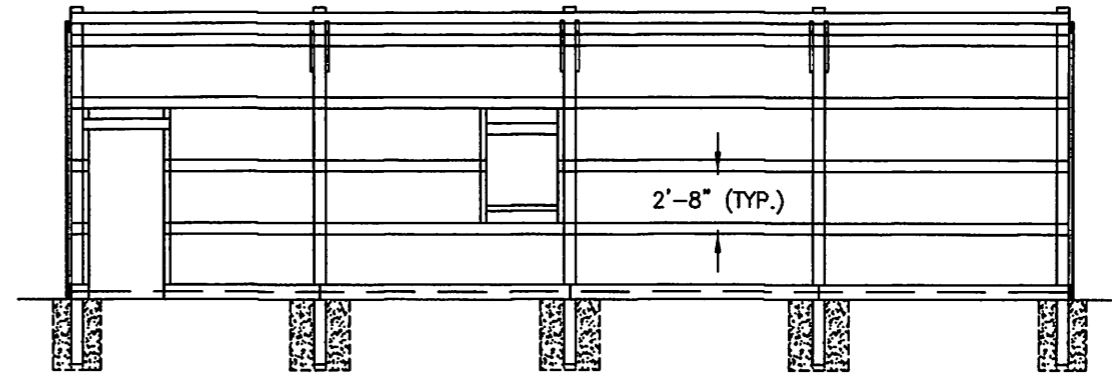
PROJECT INFORMATION	
FARRELL BUILDING	
ROOF PLAN	
WARREN, UTAH	

DRAWN	DATE
KRH	03/03/2016
CHECKED	SCALE
JDL	1/8" = 1'-0"
PROJECT #	SHEET
15109	03

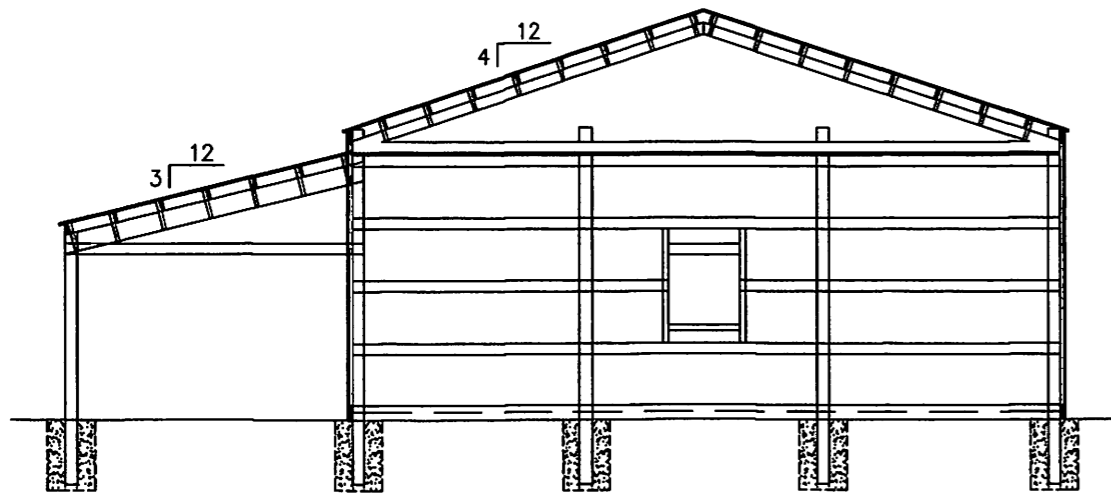
GIRT PLAN



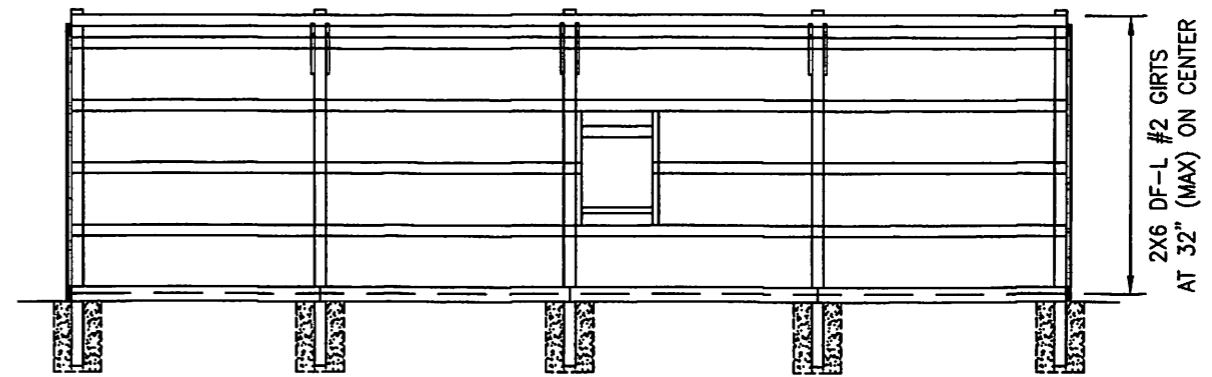
GABLE END GIRT WALL - NORTH



SIDE GIRT WALL - WEST



GABLE END GIRT WALL - SOUTH



SIDE GIRT WALL - EAST

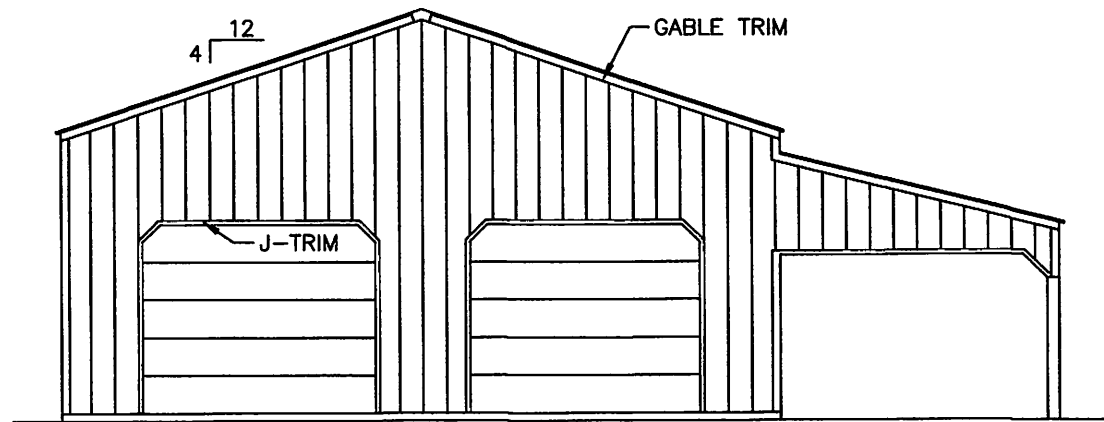


△	RELEASE TO CLIENT	03/03/16
NO.	REVISION	DATE

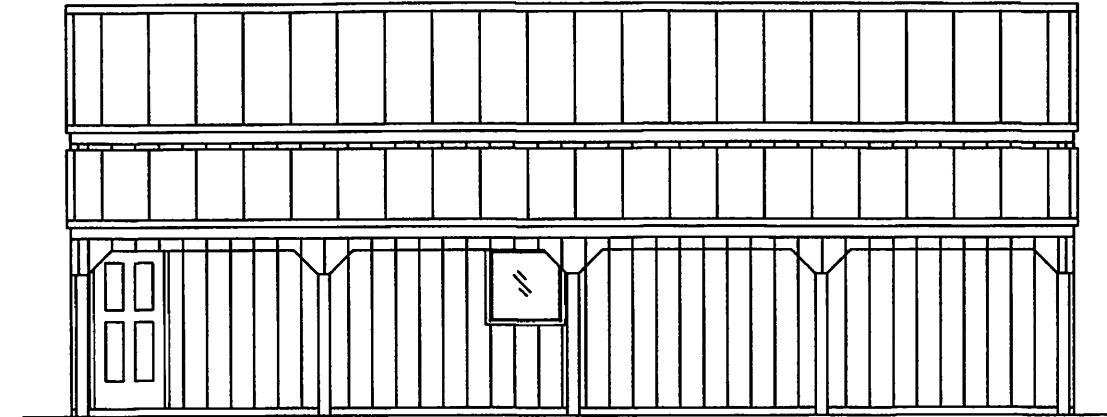
PROJECT INFORMATION		
FARRELL BUILDING		
GIRT PLAN		
WARREN, UTAH		

DRAWN	DATE
KRH	03/03/2016
CHECKED	SCALE
JDL	1/8" = 1'-0"
PROJECT #	SHEET
15109	04

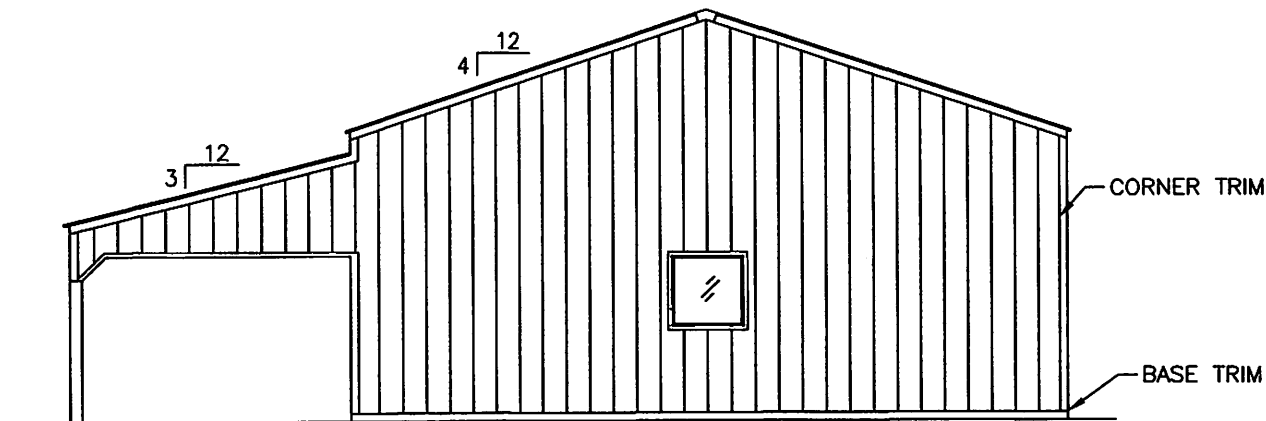
ELEVATIONS



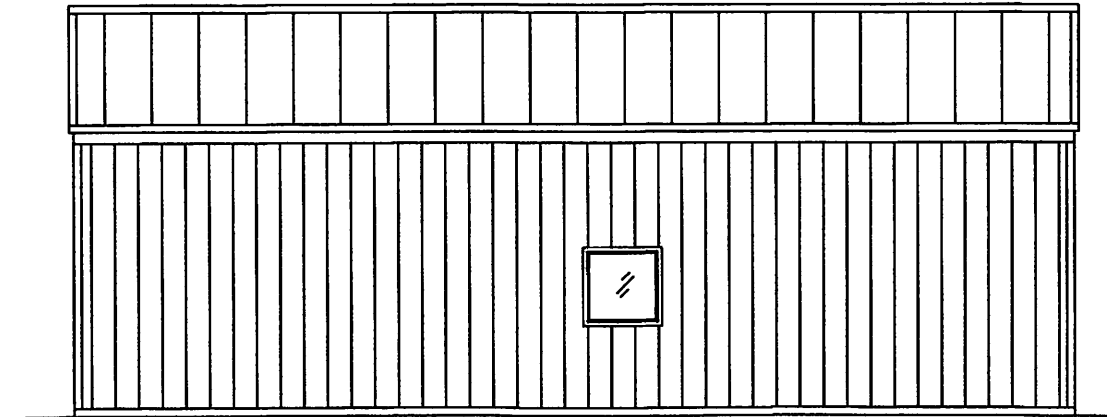
GABLE END ELEVATION - NORTH



ELEVATION - WEST



GABLE END ELEVATION - SOUTH



ELEVATION - EAST

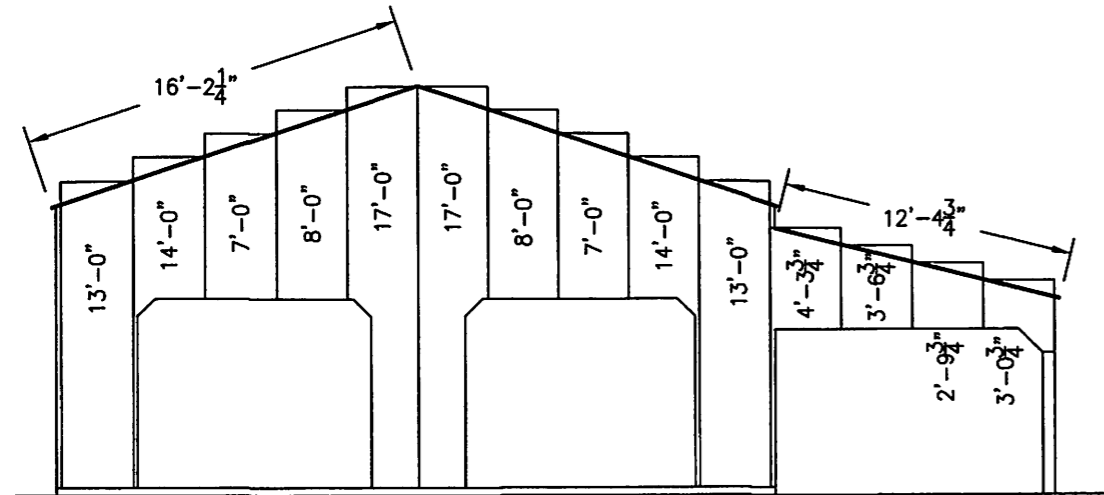


△	RELEASE TO CLIENT	03/03/16
NO.	REVISION	DATE

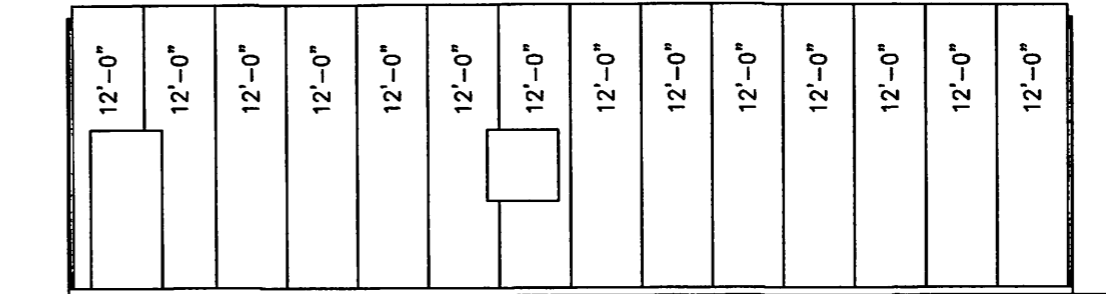
PROJECT INFORMATION	
FARRELL BUILDING	
ELEVATIONS	
WARREN, UTAH	

DRAWN	KRH	DATE	03/03/2016
CHECKED	JDL	SCALE	1/8" = 1'-0"
PROJECT #	15109	SHEET	05

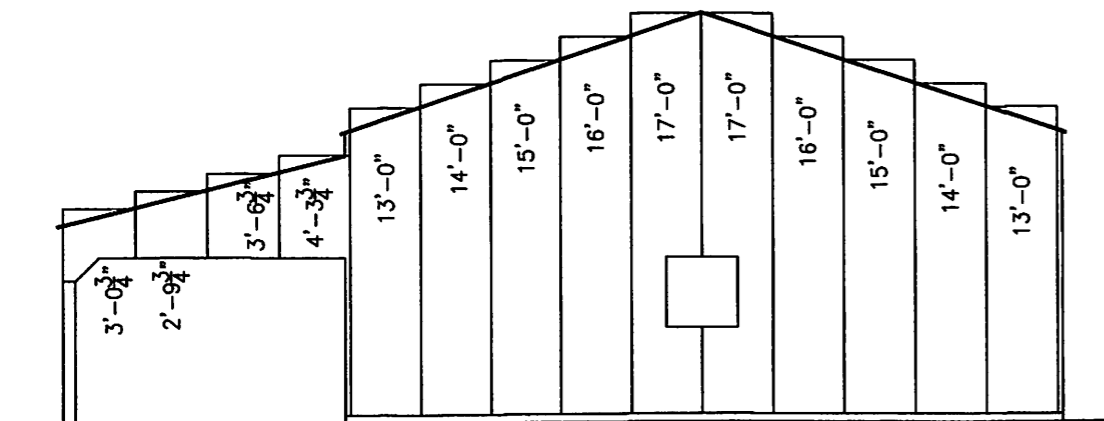
PANEL LAYOUT



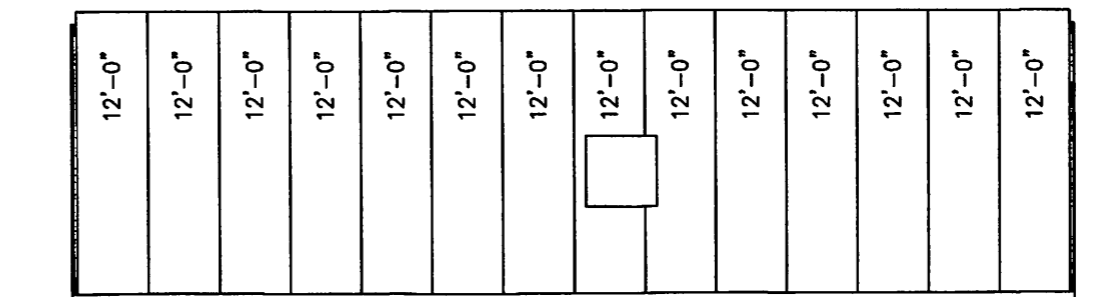
END PANEL - NORTH



SIDE PANEL - WEST



END PANEL - SOUTH



SIDE PANEL - EAST

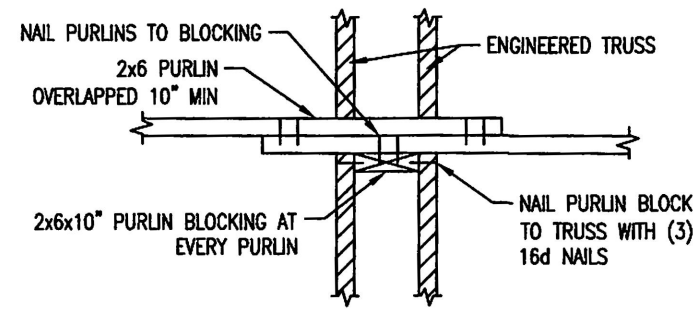


△	RELEASE TO CLIENT	03/03/16
NO.	REVISION	DATE

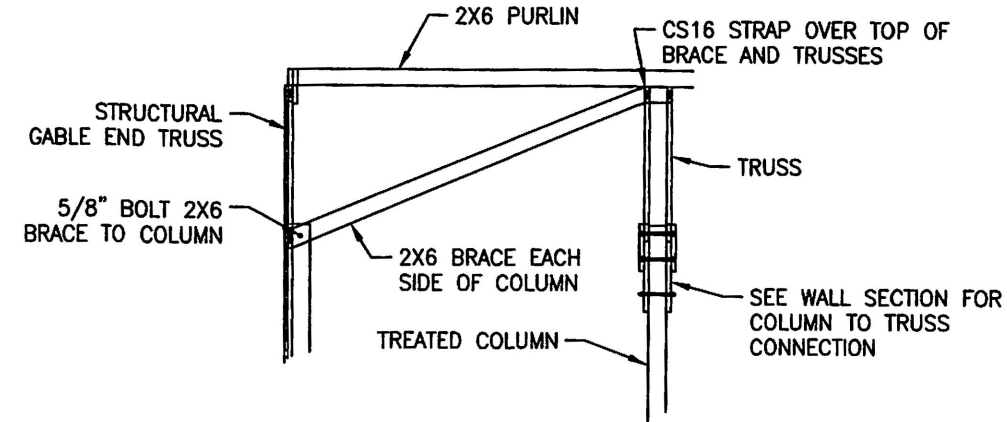
PROJECT INFORMATION	
FARRELL BUILDING	
PANEL LAYOUT	
WARREN, UTAH	

DRAWN	DATE
KRH	03/03/2016
CHECKED	SCALE
JDL	1/8" = 1'-0"
PROJECT #	SHEET
15109	06

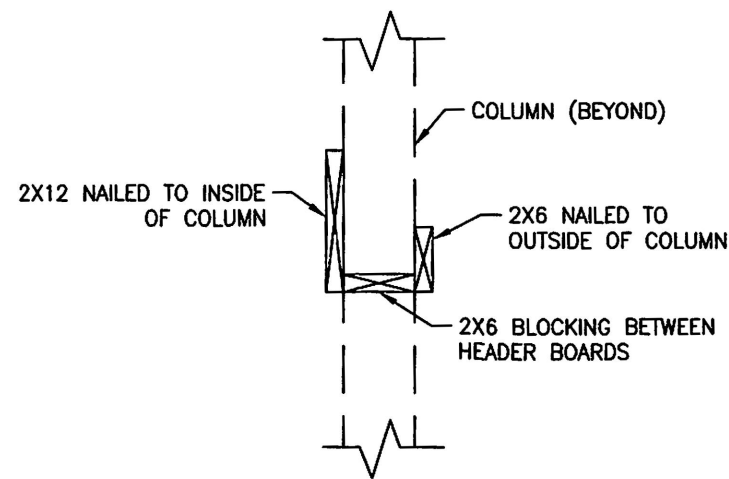
DETAIL SHEET



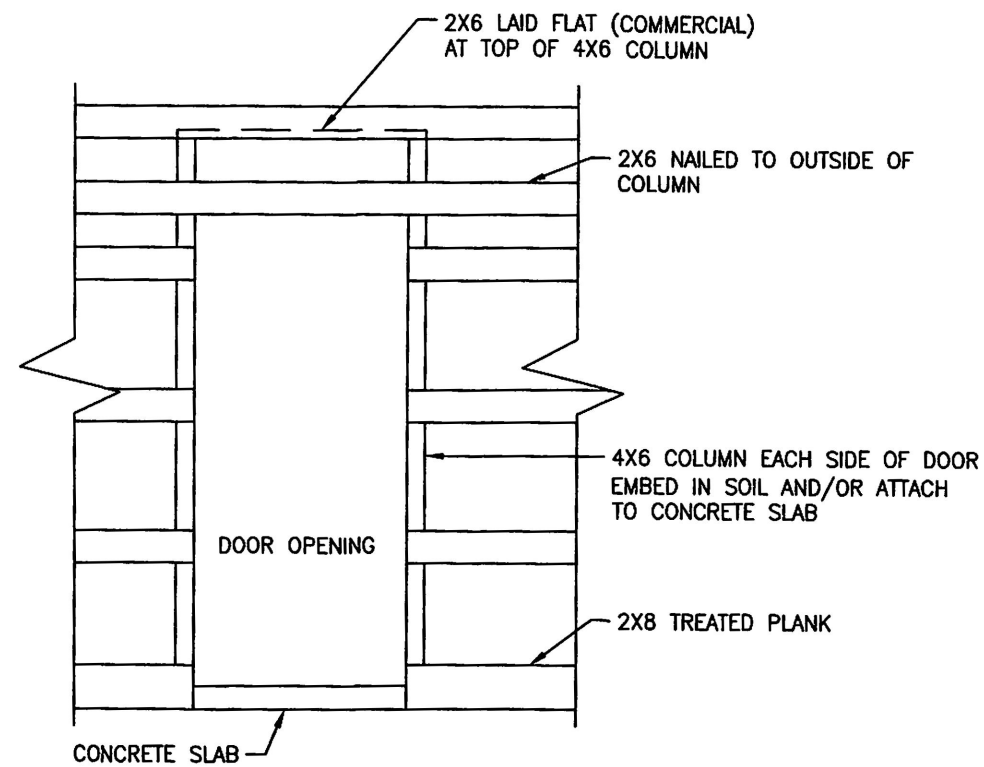
PURLIN CONNECTION
NOT TO SCALE



COLUMN TO TRUSS BRACE
NOT TO SCALE



OVERHEAD DOOR HEADER
NOT TO SCALE



MAN DOOR OPENING
NOT TO SCALE

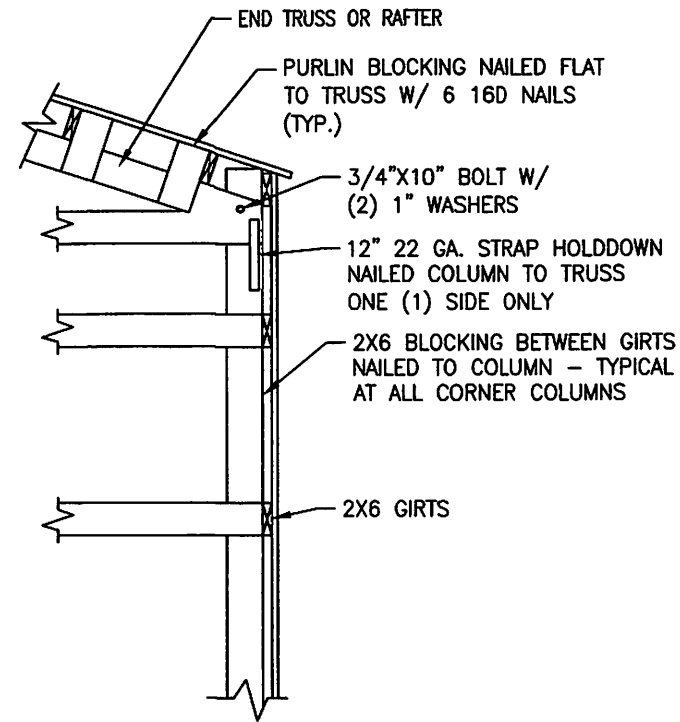


△	RELEASE TO CLIENT	03/03/16
NO.	REVISION	DATE

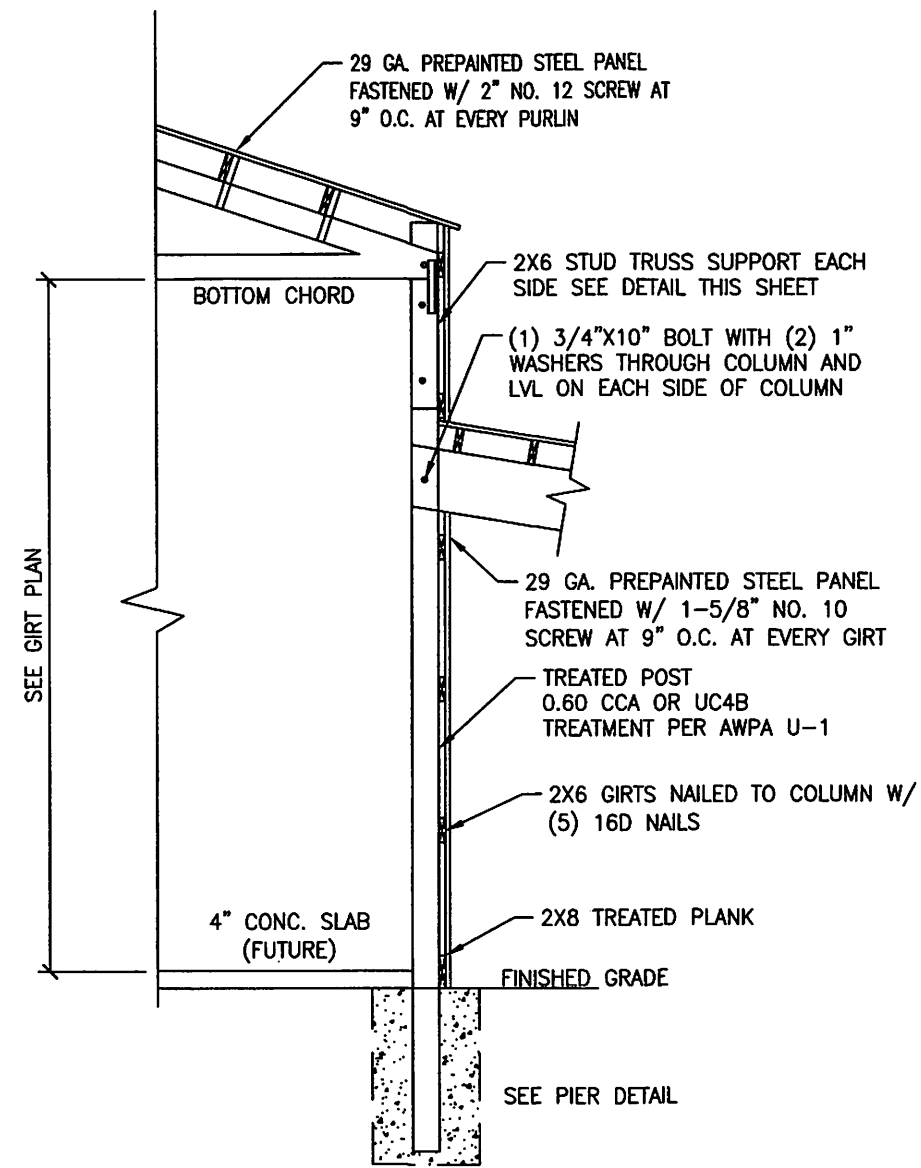
PROJECT INFORMATION	
FARRELL BUILDING	
DETAIL SHEET	
WARREN, UTAH	

DRAWN KRH	DATE 03/03/2016
CHECKED JDL	SCALE 1/8" = 1'-0"
PROJECT # 15109	SHEET 07

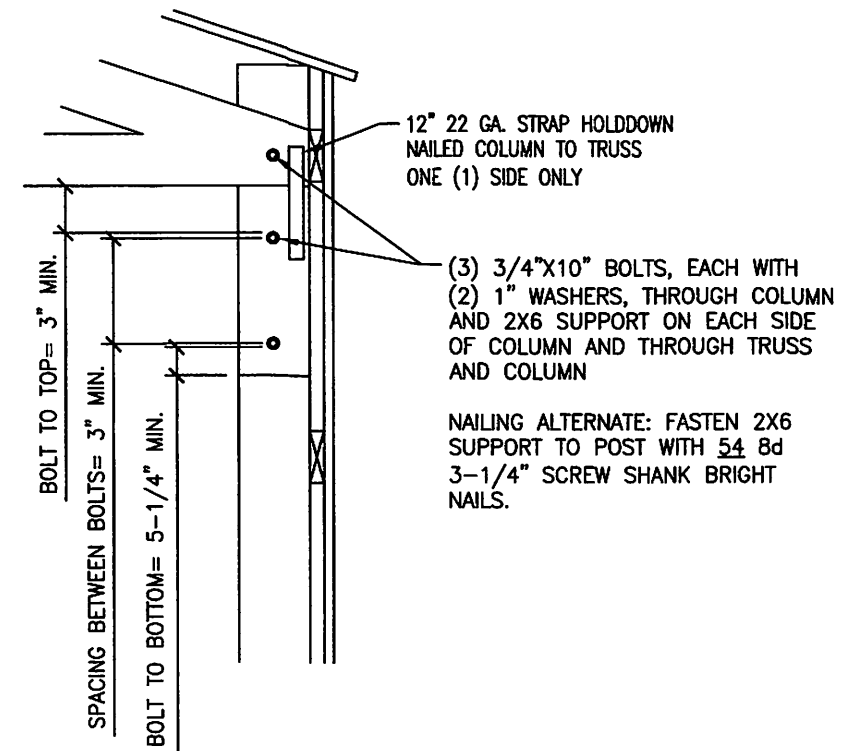
DETAIL SHEET



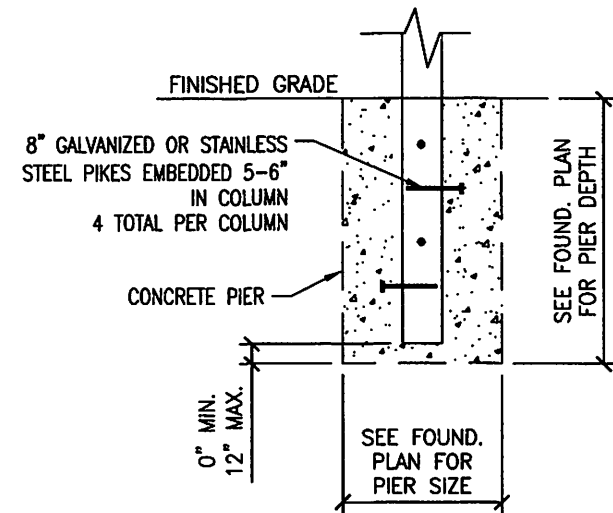
CORNER BLOCKING
NOT TO SCALE



TYPICAL WALL SECTION
NOT TO SCALE



TRUSS SUPPORT TO POST CONNECTION DETAIL
NOT TO SCALE



PIER DETAIL
NOT TO SCALE

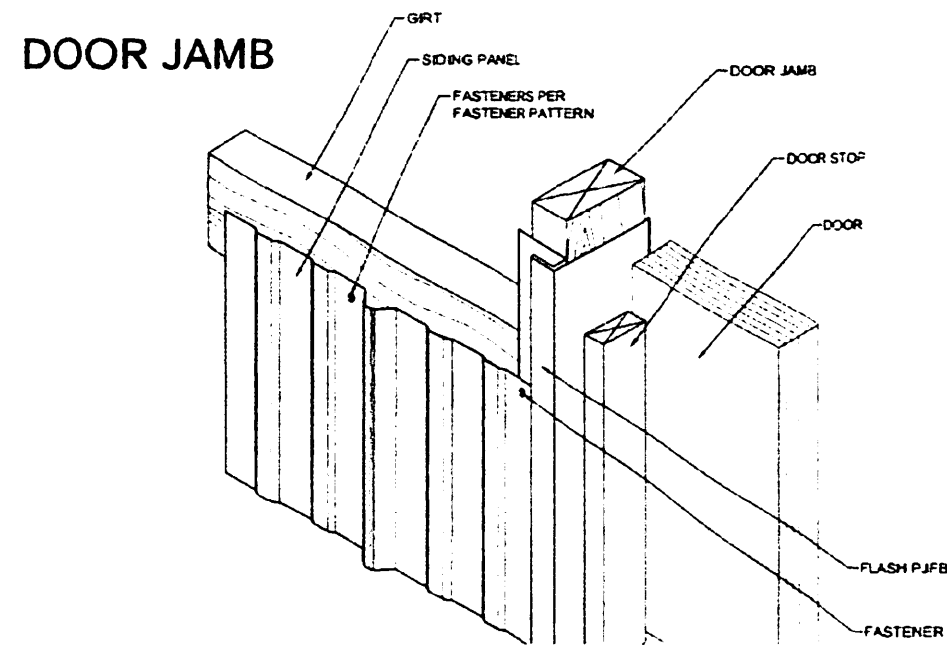


△	RELEASE TO CLIENT	03/03/16
NO.	REVISION	DATE

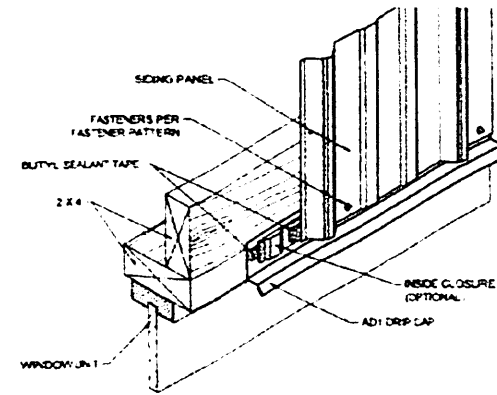
PROJECT INFORMATION	
FARRELL BUILDING	
DETAIL SHEET	
WARREN, UTAH	

DRAWN	DATE
KRH	03/03/2016
CHECKED	SCALE
JDL	1/8" = 1'-0"
PROJECT #	SHEET
15109	08

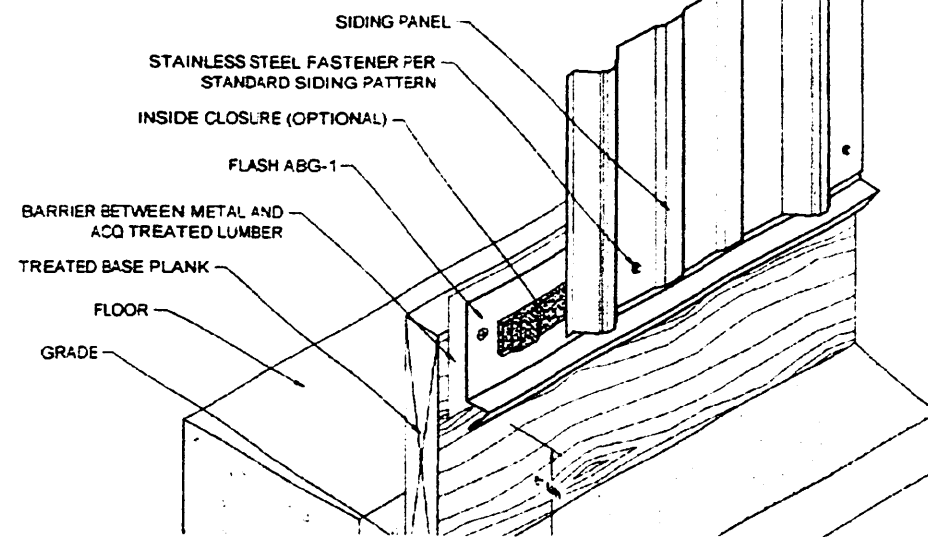
DETAIL SHEET



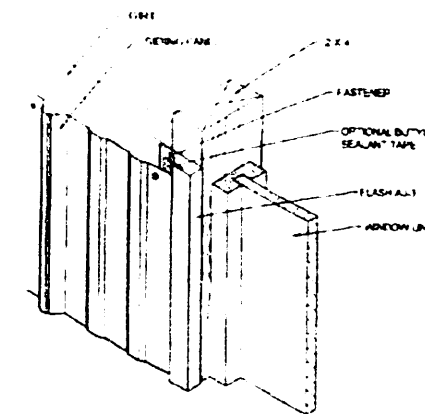
WINDOW / DOOR HEADER



BASE GUARD



WINDOW JAMB



△	RELEASE TO CLIENT	03/03/16
NO.	REVISION	DATE

PROJECT INFORMATION		
FARRELL BUILDING		
DETAIL SHEET		
WARREN, UTAH		

DRAWN	DATE
KRH	03/03/2016
CHECKED	SCALE
JDL	1/8" = 1'-0"
PROJECT #	SHEET
15109	09