

STRUCTURAL NOTES

BUILDER / CONTRACTOR IS RESPONSIBLE FOR ENSURING THAT PLANS AND SPECIFICATIONS COMPLY WITH APPLICABLE REQUIREMENTS OF ANY GOVERNING BUILDING AUTHORITY.
 METAL BUILDING STRUCTURE DESIGNED PER THE FOLLOWING LOADING:
 CODE: IBC 2012
 WIND: 115 MPH EXPOSURE C WINDLOAD
 ROOF LOAD: 20 PSF ROOF LIVE LOAD
 SEISMIC: N/A
 SNOW LOAD: 35 PSF (MAX) ROOF SNOW LOAD
 DESIGN LOADS DESIGNATED WITHIN CONTRACT AND DRAWINGS DO NOT ALLOW FOR ANY TYPE OF SUSPENDED SYSTEM (E.G. LIGHTS, INSULATION, DUCT WORK, PIPING, ETC.) SUSPENSION OF ANY LOAD INDUCING SYSTEM IS EXPLICITLY PROHIBITED UNLESS A CORRESPONDING REDUCTION IN CERTIFIED LIVE/SNOW LOADS CAN BE PERMITTED BY CODE.
 DESIGN AND SPECIFICATION OF BASE STEEL TO CONCRETE SLAB ANCHORING IS NOT THE RESPONSIBILITY OF THE BUILDING MANUFACTURER.
 BUILDING MANUFACTURER ASSUMES NO RESPONSIBILITY FOR CONCRETE SLAB FOUNDATION DESIGN, THICKNESS, MATERIALS, SITE SOIL CONDITIONS OR OTHER CONCRETE/MASONRY CONSTRUCTION.
 ALL STRUCTURAL CONNECTIONS ARE TO BE MADE PER FASTENING DETAILS PRESENTED HEREIN. ALL STEEL FRAMING AND SHEETING MATERIALS MUST BE INSTALLED TO VERTICAL PLUMB AND HORIZONTALLY LEVEL.
 THE BUILDING MANUFACTURER AND THE PROFESSIONAL ENGINEER SEALING THESE DRAWINGS ARE NOT THE PROFESSIONAL ENGINEER OF RECORD FOR THE ENTIRE PROJECT. THE PROFESSIONAL ENGINEER'S SEAL PERTAINS ONLY TO THE STRUCTURAL DESIGN OF THE METAL BUILDING SYSTEM. IT DOES NOT APPLY TO THE FOUNDATION SYSTEM, MASONRY DESIGN OR ANY OTHER ASPECT OF THE PROJECT UNLESS SPECIFICALLY STATED IN THESE DOCUMENTS.

JOBSITE / FIELD CONDITIONS NOTES:

BUILDING MANUFACTURER ASSUMES NO RESPONSIBILITY FOR ANY LOADS TO STRUCTURE NOT INDICATED AT THE TIME OF PURCHASE. ANY ALTERATIONS TO THE STRUCTURAL SYSTEM, REMOVAL OF ANY COMPONENT PARTS OR THE ADDITION OF OTHER CONSTRUCTION MATERIALS OR LOADS MUST BE DONE UNDER THE DIRECTION OF REGISTERED ARCHITECT, CIVIL OR STRUCTURAL ENGINEER.
 ALL CONCRETE AND MASONRY CONSTRUCTION MUST BE FLAT, LEVEL AND SQUARE PER THE SLAB PLAN DIMENSIONS HEREIN.
 ALL JOBSITE DIMENSIONS AND CONDITIONS SHALL BE FIELD VERIFIED BEFORE ERECTION OF BUILDING STRUCTURE.
 ALL OMISSIONS, CONFLICTS AND DISCREPANCIES SHALL BE REPORTED TO THE BUILDING MANUFACTURER BEFORE PROCEEDING WITH PROJECT WORK.
 ALL TEMPORARY SUPPORTS SUCH AS GUYS, BRACES, FALSEWORK, CRIBBING, WINDBRACES OR OTHER ELEMENTS REQUIRED FOR THE BUILDING ERECTION ARE TO BE DETERMINED BY AND SUPPLIED BY BUILDER/CONTRACTOR.
 BUILDING MANUFACTURER HAS MADE A COMMITMENT TO MANUFACTURE QUALITY BUILDING COMPONENTS THAT CAN BE SAFELY ERECTED. JOB SITE SAFETY INSTRUCTION, SAFETY EQUIPMENT AND CONDITIONS ARE THE RESPONSIBILITY OF THE BUILDER/CONTRACTOR.
 ALL COMPONENTS SHIPPED SHALL BE THOROUGHLY INSPECTED AND ACCOUNTED FOR AT THE TIME OF DELIVERY. ALL MATERIAL SHORTAGES OR DEFECTS MUST BE REPORTED WITHIN FIVE (5) WORKING DAYS OF MATERIAL DELIVERY TO THE BUILDING MANUFACTURER.
 DIAPHRAGM ACTION OF THE METAL PANELS AT INTERIOR PARTITION WALLS IS UTILIZED FOR THE STABILITY OF THIS BUILDING. ANY MODIFICATION OR UNAUTHORIZED CUTTING OF INTERIOR PARTITION PANELS IS EXPRESSLY PROHIBITED BY THE BUILDING MANUFACTURER.
 PARTITION PANELS HAVE BEEN SUPPLIED TO REACH ROOF LINE. THE TOP PARTITION PANEL CAN BE NOTCHED TO MATCH ROOF LINE AND CLEAR PURLIN LEG TO CLOSE IN THE UNIT AS DESIRED.

INSTALLATION NOTES:

FIELD CUTTING OF STRUCTURAL, SHEETING AND TRIMS FOR SPLICE AND FINAL FITTING OF COMPONENTS IS REQUIRED.
 ALL ROOF PANEL LAPS SHALL BE SEALED WITH 3/8" (MINIMUM) WIDTH MASTIC TAPE AS PROVIDED FOR PROJECT. ALL SHEET PROFILE FOAM CLOSURES AT EAVE, WALL AND RIDGE CONDITIONS AS PROVIDED FOR PROJECT MUST BE INSTALLED AS SHOWN HEREIN.
 WALL PANELS AND WALL TRIMS, AT INTERIOR AND EXTERIOR, ARE TO BE SET WITH 1/4" CLEARANCE ABOVE CONCRETE SURFACES AND AT ANY LOCATIONS WHICH MAY BE SUBJECT TO CONTACT WITH STANDING WATER.
 LAP ALL FLASHINGS 2" MINIMUM AND SEAL AS REQUIRED FOR WATER TIGHTNESS
 ALLOW 1/4" TOLERANCE AT EACH END FOR PURLINS, HEADERS AND GIRTS.

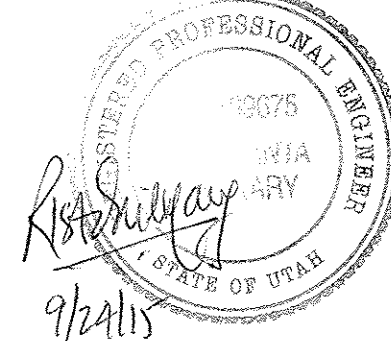
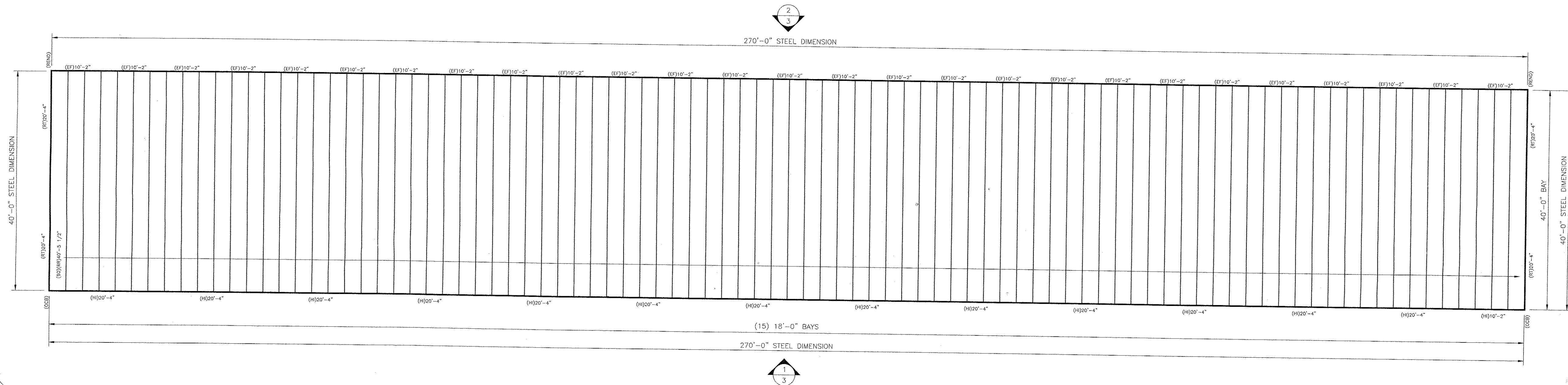
DRAWING INDEX

1	LEAD SHEET, GENERAL NOTES, SCHEDULES, KEY PLAN
2	SLAB PLAN, ELEVATIONS
3	FLOOR PLAN, FRAMING PLAN
4	PARTITION PLAN, ROOF PLAN
5	DETAILS
6	DETAILS
7	DETAILS

DATE
 9/16/15
 BY
 DSU
 FOR
 CONSTRUCTION
 PRINTS ISSUED

CONFIDENTIAL AND PROPRIETARY INFORMATION
 THESE DRAWINGS ARE THE SOLE AND EXCLUSIVE PROPERTY OF ARMSTRONG STEEL CORPORATION AND ARE NOT TO BE REPRODUCED, COPIED, CLONED, OR OTHERWISE TRANSMITTED IN ANY FORM OR BY ANY MEANS, ELECTRONIC OR MECHANICAL, INCLUDING PHOTOCOPYING, RECORDING, OR BY ANY INFORMATION STORAGE AND RETRIEVAL SYSTEM. ANY UNAUTHORIZED USE, REPRODUCTION, OR DISSEMINATION OF THESE DRAWINGS IS STRICTLY PROHIBITED. THESE DRAWINGS ARE PROVIDED AS A SERVICE TO THE PROJECT WITHOUT WRITTEN PERMISSION FROM THE BUILDING MANUFACTURER. THIS DOCUMENT AND ALL COPIES MUST BE RETURNED UPON DEMAND.

PROJECT:
 40 X 270 X 16-0 HS
LOCATION:
 OGDEN, UT 84404



CLOSURE NOTE:
 (90) INSIDE CLOSURES INCLUDED FOR LOW EAVE. INSTALL BTR TAPE ON TOP AND BOTTOM OF INSIDE CLOSURE (SEE DETAILS AND INSTALLATION GUIDE)
 (14B) INSIDE CLOSURES INCLUDED FOR BASE OF EXTERIOR WALL PANELS.
 (28) OUTSIDE CLOSURES INCLUDED FOR RAKE.
 (180) OUTSIDE CLOSURES INCLUDED FOR ROOF AND WALL OF HIGH EAVE.

ERECTOR NOTE:
 A DETAILED INSTALLATION GUIDE IS AVAILABLE AND SHOULD BE CONSULTED DURING THE ERECTION OF THIS BUILDING PACKAGE. PLEASE CONTACT US IF YOU HAVE NOT RECEIVED A COPY OF THE INSTALLATION GUIDE AND ONE WILL BE PROVIDED TO YOU.

STANDARD ABBREVIATIONS			
AFF	APPROX	BLDGC	BLK
BM	BOT	BLKG	C/L
CJ	CLO	COL	CONC
CTR	DBL	DET	DIA
DWG	DIM	DR	EA
EA	ET	EJ	EL
EXIST	EXP	EKT	EFS
EOS	EXPANSION	EXT	EIFS
EXP	EXT	EIFS	EOS
FB	FDN	FF	FOB
FB	FDN	FF	FOB
FB	FDN	FF	FOB
FB	FDN	FF	FOB
FB	FDN	FF	FOB

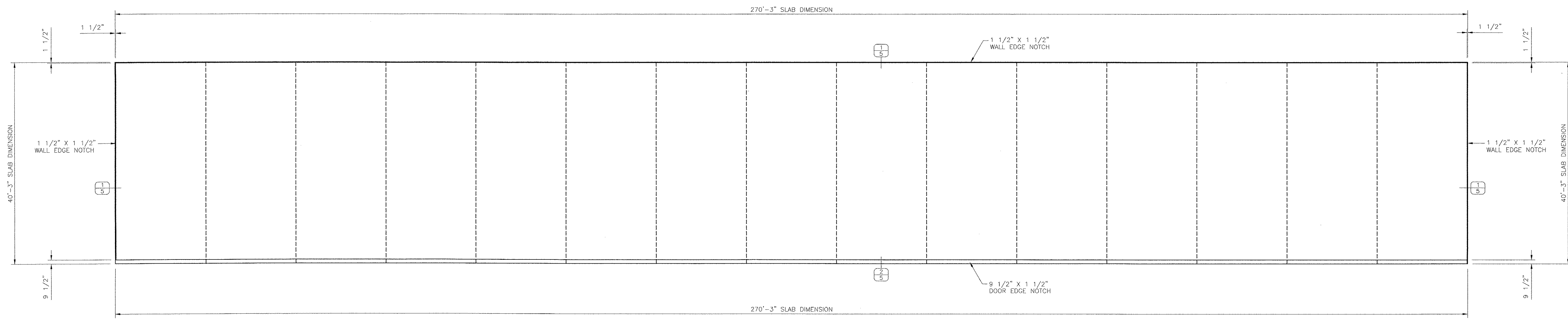
STRUCTURE ABBREVIATIONS			
(BA)	-	B4216R	4 X 2 X 16GA. ANGLE (5.9)
(BC)	-	U42516Z	4 1/8 X 2 7/8 X 16GA. CHANNEL (9.9)
(C4)	-	C4216R	4 X 2 X 16GA. CEE (8.9)
(C6)	-	C62516R	6 X 2 1/2 X 16GA. CEE (11.9)
(DH)	-	C4216R	4 X 2 X 16GA. CEE (8.9)
(DJ)	-	C43516R	4 X 3 1/2 X 16GA. CEE (11.9)
(EC)	-	U4216R	4 1/8 X 2 3/8 X 16GA. CHANNEL (8.9)
(ES)	-	E64316LR	4 X 6 X 3 X 16GA. STRUT (13.9)
(FO)	-	AS MANUFACTURED	
(G)	-	C4216R	4 X 2 X 16GA. CEE (8.9)
(HA)	-	B4216R	4 X 2 X 16GA. ANGLE (5.9)
(HR)	-	C4216R	4 X 2 X 16GA. CEE (8.9)
(JR)	-	C62516R	6 X 2 1/2 X 16GA. CEE (11.9)
(M)	-	C12416R	12 X 4 X 16GA. CEE (20.9)
(MC)	-	B4216R	4 X 2 X 2" LONG 16GA. ANGLE (5.9)
(P4)	-	Z42516R	2 1/2 X 4 X 2 1/2 X 16GA. ZEE (9.9)
(P6)	-	Z62516R	2 1/2 X 6 X 2 1/2 X 16GA. ZEE (11.9)
(P10)	-	Z102512R	2 1/2 X 10 X 2 1/2 X 16GA. ZEE (15.9)
(PA)	-	B4216R	4 X 2 X 16GA. ANGLE (5.9)
(RA)	-	B4216R	4 X 2 X 16GA. ANGLE (5.9)
(RS)	-	E64316LR	4 X 6 X 3 X 16GA. STRUT (13.9)

SHEETING ABBREVIATIONS	
(ML)	- 29GA. M-LOC WALL PANEL
(RL)	- 29GA. R-LOC WALL PANEL
(PL)	- 29GA. PANEL-LOC WALL PANEL
(RR)	- 26GA. PBR ROOF PANEL
(RW)	- 26GA. PBR WALL PANEL

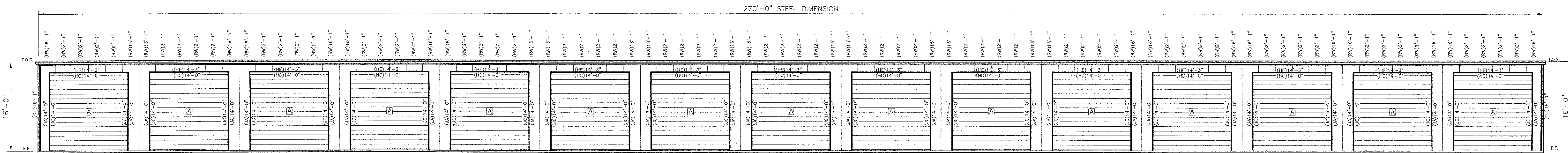
FASTENER ABBREVIATIONS			
(F1)	-	1/2" X 2 3/4" CONC. EXPANSION ANCHOR	- BASE TO SLAB CONNECTIONS
(F2)	-	12 X 1 SELF-DRILLING TEK (PLTD)	- STRUCTURAL STEEL CONNECTIONS
(F3)	-	12 X 1 SELF-DRILLING TEK (PLTD)	- PARTITION SHEETING
(F4)	-	12 X 2 SELF-DRILLING TEK (PLTD)	- PARTITION ANGLE CONNECTIONS
(F5)	-	12 X 1 1/4 WASHER TEK (PTD)	- EXTERIOR WALL SHEETING
(F6)	-	12 X 1 1/4 WASHER ZAC (PTD)(PLTD)	- ROOF SHEETING
(F7)	-	12 X 1 1/4 WASHER TEK (PTD)	- EXTERIOR TRIM DRILLER
(F8)	-	12 X 7/8 WASHER TEK (PTD)	- EXTERIOR WALL PANEL LAP
(F9)	-	12 X 7/8 WASHER ZAC (PTD)(PLTD)	- ROOF PANEL LAP
(F10)	-	12 X 7/8 WASHER TEK (PTD)	- EXTERIOR TRIM LAP
(F11)	-	1/8 POP RIVET	- EXTERIOR TRIM
(F12)	-	12 X 1 1/4 WASHER TEK (PTD)	- EXTERIOR WALL SHEETING
(F13)	-	12 X 1 1/4 WASHER TEK (PTD)	- INTERIOR TRIM DRILLER
(F14)	-	12 X 7/8 WASHER TEK (PTD)	- INTERIOR WALL PANEL LAP
(F15)	-	12 X 7/8 WASHER TEK (PTD)(PLTD)	- INTERIOR TRIM LAP

TRIM ABBREVIATIONS					
(BTR)	-	7/8" ROLL MASTIC	(ICB)	-	INSIDE CORNER BOX
(CLIN)	-	R PANEL INSIDE FOAM CLOSURE	(JA)	-	DOOR JAMB TRIM
(CLOUT)	-	R PANEL OUTSIDE FOAM CLOSURE	(JC)	-	DOOR JAMB COVER TRIM
(GEOCEL)	-	GUTTER SEAL	(MC)	-	DOOR MULLION COVER TRIM
(IN)	-	R PANEL INSIDE CORNER TRIM	(OCB)	-	OUTSIDE CORNER BOX
(OU)	-	R PANEL OUTSIDE CORNER TRIM	(PB)	-	PEAK BOX
(CM)	-	DOOR CORNER MULLION TRIM	(REND)	-	RAKE TRIM END CAP
(DK)	-	DOWNSPOUT WITH KICK OUT	(RT)	-	RAKE TRIM
(DSS)	-	DOWNSPOUT STRAP	(SA)	-	HALL TOP TRIM
(EF)	-	EAVE FLASHING	(TI)	-	ROOF TIE IN TRIM
(FRC)	-	FORMED RIDGE CAP	(TR)	-	ROOF STEP TRANSITION FLASHING
(GE)	-	GUTTER END CAP	(4SP)	-	40Z TOUCH UP SPRAY PAINT
(GS)	-	GUTTER HANGER STRAP			
(GU)	-	GUTTER			
(HC)	-	DOOR HEAD COVER TRIM			
(HE)	-	DOOR HEAD TRIM			
(HI)	-	HIGH EAVE TRIM			

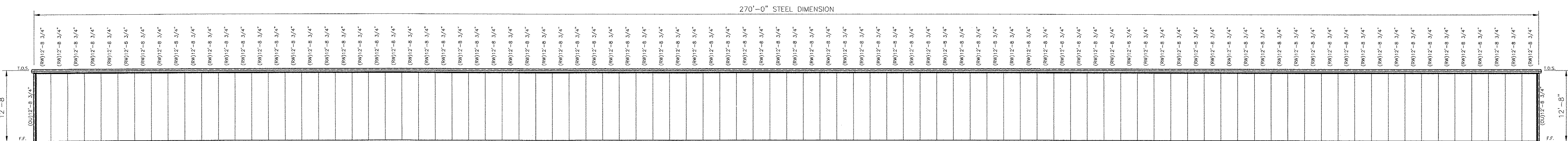
ARMSTRONG STEEL CORPORATION
 5619 DTC Parkway
 Greenwood Village, CO 80111
 Phone: 800-345-4610
 Fax: 720-230-7266



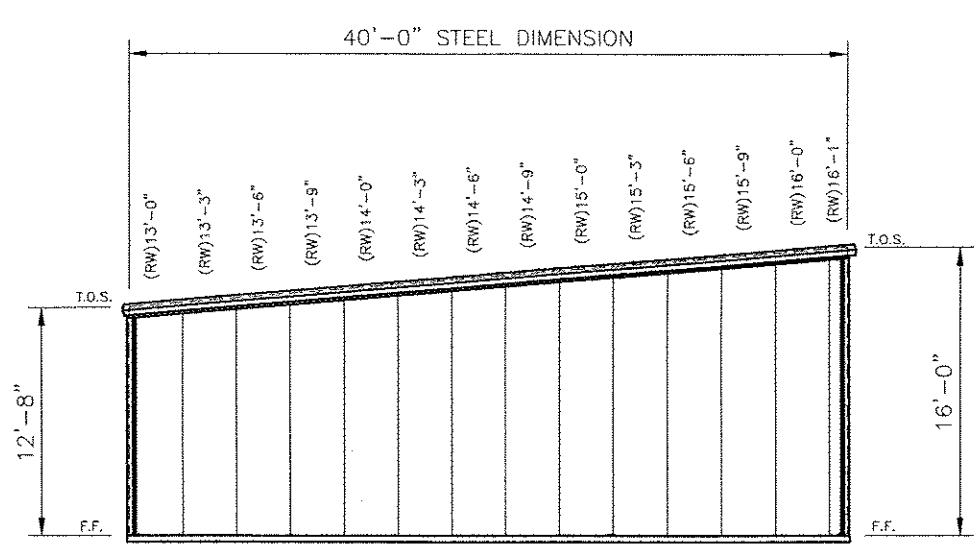
SLAB PLAN
scale - 3/32" = 1'-0"



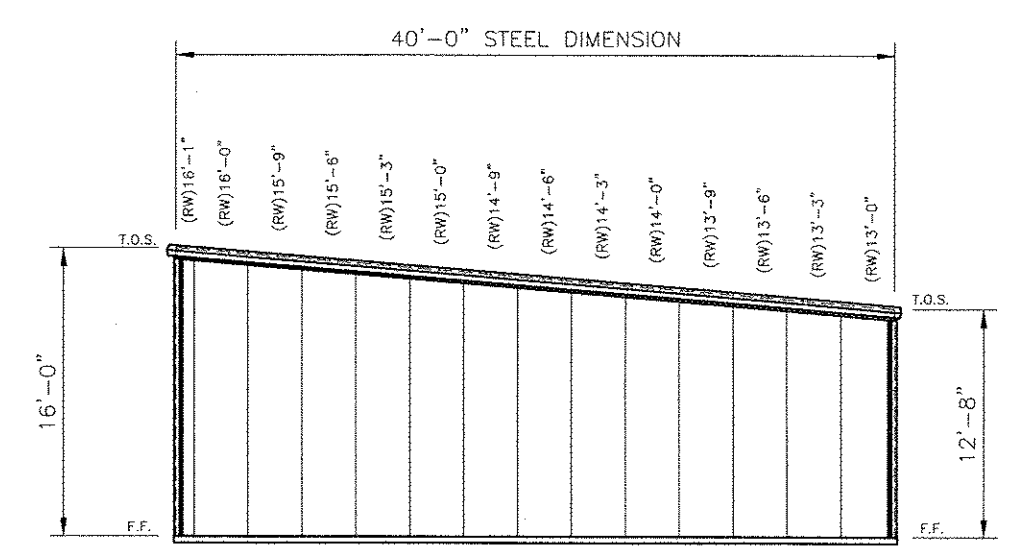
FRONT ELEVATION
scale - 3/32" = 1'-0"



REAR ELEVATION
scale - 3/32" = 1'-0"

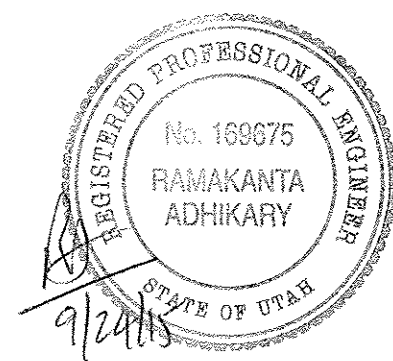
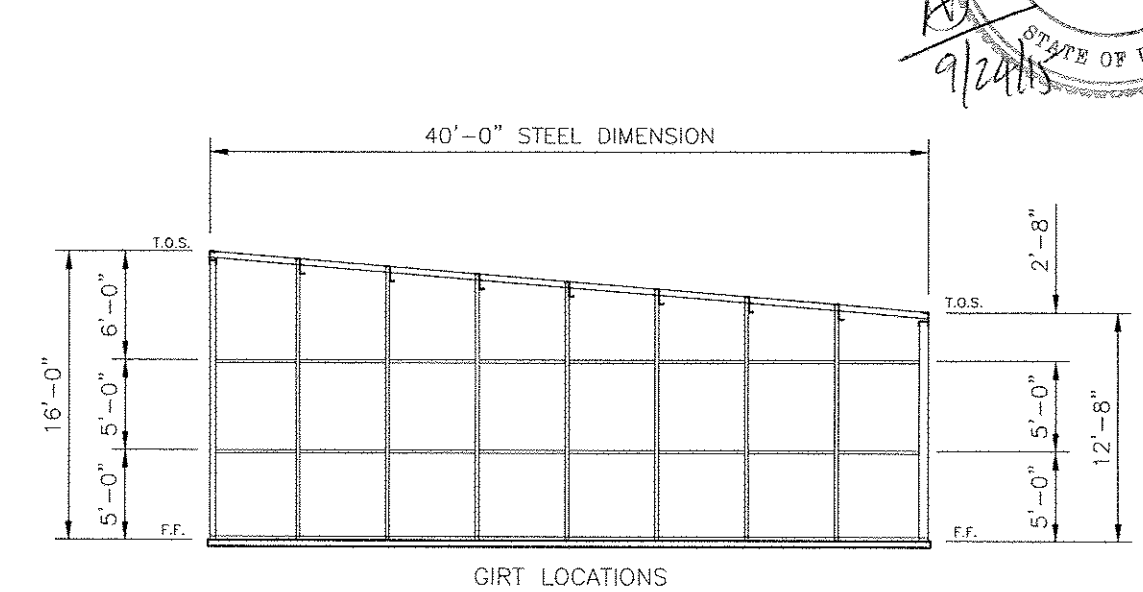


LEFT ELEVATION
scale - 3/32" = 1'-0"



RIGHT ELEVATION
scale - 3/32" = 1'-0"

DOOR SCHEDULE	
ⓐ	(15) EACH 14'-0" X 14'-0" ROLLUP DOOR



CONSTRUCTION FOR	BY	DATE
DSJ		9/16/15

CONFIDENTIAL AND PROPRIETARY INFORMATION
 THESE DRAWINGS ARE THE SOLE AND EXCLUSIVE PROPERTY OF THE BUILDING MANUFACTURER. SENSITIVE, PRIVILEGED, AND CONFIDENTIAL INFORMATION CONTAINED HEREIN IS THE PROPERTY OF ARMSTRONG STEEL CORPORATION AND IS NOT TO BE USED, REPRODUCED, COPIED, OR TRANSMITTED IN ANY MANNER WITHOUT THE WRITTEN PERMISSION OF THE BUILDING MANUFACTURER. UNAUTHORIZED PERSONS ARE STRICTLY PROHIBITED FROM THE PROJECTS WITHOUT WRITTEN PERMISSION FROM THE BUILDING MANUFACTURER. THIS DOCUMENT AND ALL COPIES MUST BE RETURNED UPON DEMAND.

PROJECT: 40 X 270 X 16-0 HS
 LOCATION: OGDEN, UT 84404

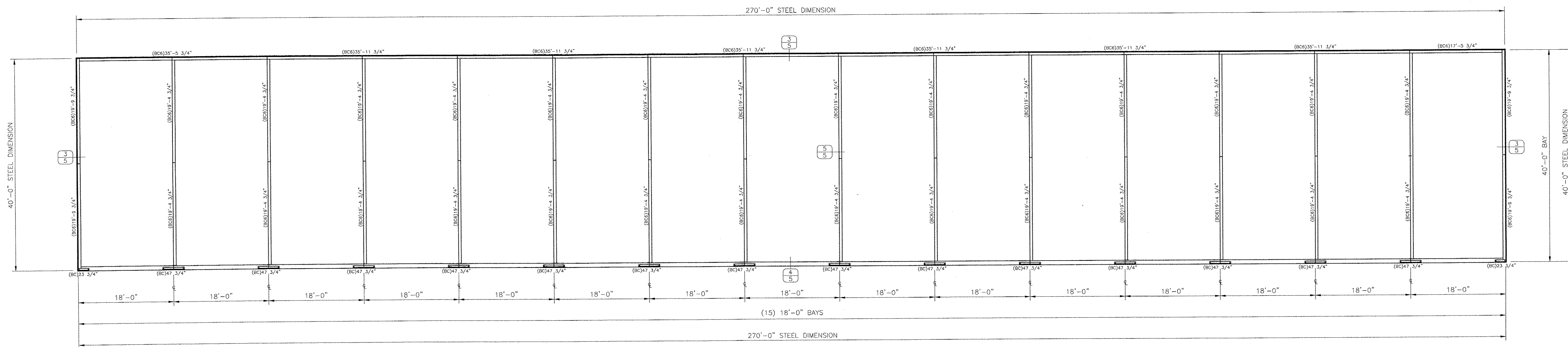
ARMSTRONG STEEL CORPORATION
 5619 DTC Parkway
 Greenwood Village, CO 80111
 Phone: 800-345-4610
 Fax: 720-230-7266



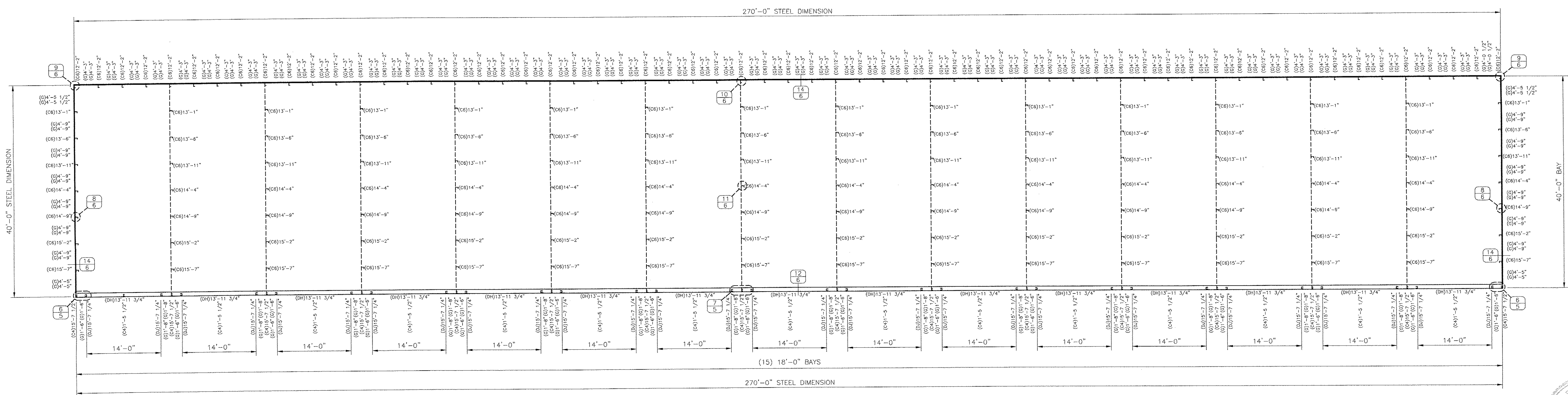
DWC #15-1407JVE

Sheet

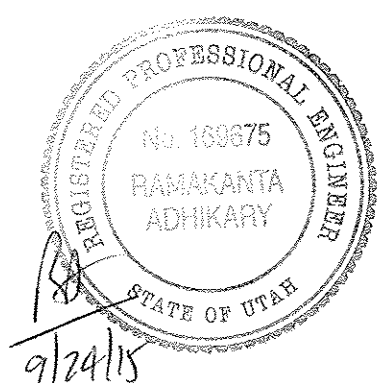
2 of 7



FLOOR PLAN
scale - 3/32" = 1'-0"



FRAMING PLAN
scale - 3/32" = 1'-0"



CONFIDENTIAL AND PROPRIETARY INFORMATION
 THESE DRAWINGS ARE THE SOLE AND EXCLUSIVE PROPERTY OF THE BUILDING MANUFACTURER, SENSITIVE, PRIVILEGED, AND CONFIDENTIAL INFORMATION CONTAINED HEREIN IS NOT TO BE DISCLOSED OR REPRODUCED WITHOUT THE WRITTEN PERMISSION OF THE BUILDING MANUFACTURER. UNAUTHORIZED PERSONS IS STRICTLY PROHIBITED. THESE DRAWINGS MAY NOT BE USED TO CONSTRUCT LIKE PROJECTS WITHOUT WRITTEN PERMISSION FROM THE BUILDING MANUFACTURER. ALL COPIES MUST BE RETURNED UPON DEMAND.

PROJECT:
40 X 270 X 16-0 HS
 LOCATION:
OGDEN, UT 84404

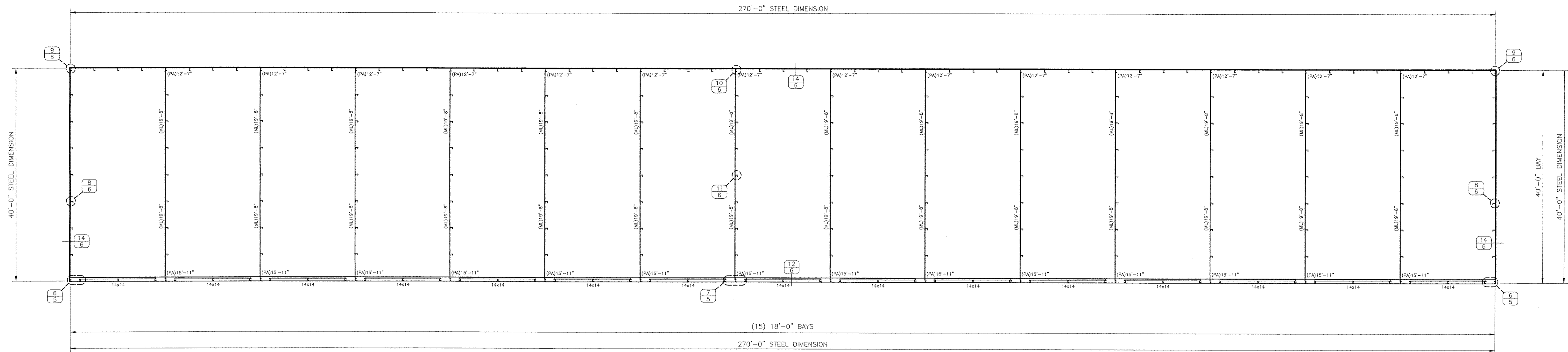
ARMSTRONG STEEL CORPORATION
 5619 DTC Parkway
 Greenwood Village, CO 80111
 Phone: 800-345-4610
 Fax: 720-230-7266

DWG #15-1407JVE

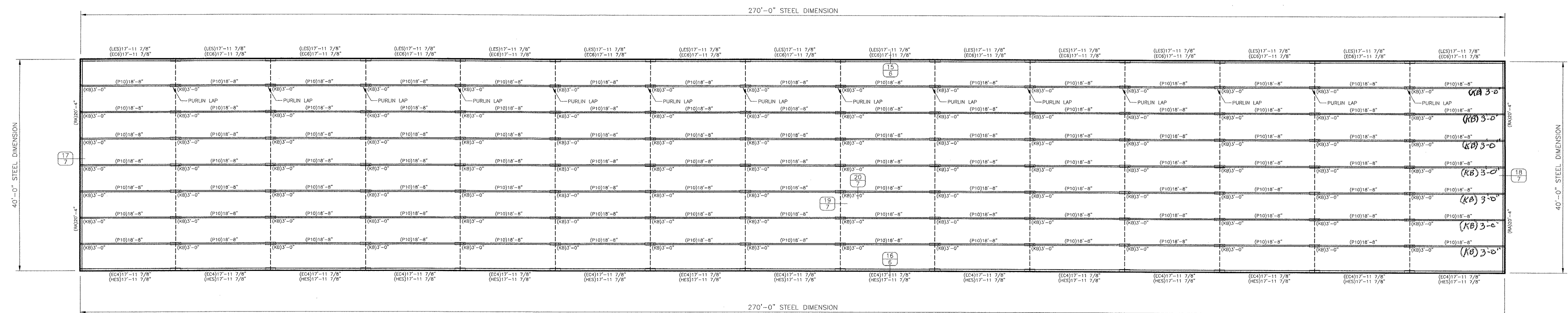
Sheet

3 of 7

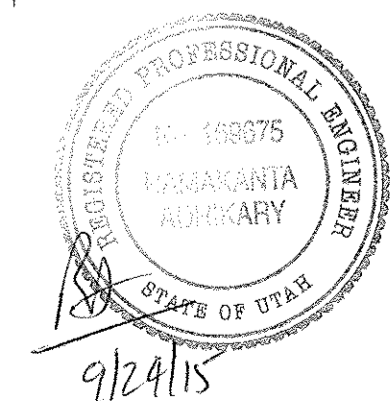
DATE	9/16/15
BY	DSJ
FOR	CONSTRUCTION
ISSUED	PRINTS



PARTITION PLAN
scale - 3/32" = 1'-0"



ROOF PLAN
scale - 3/32" = 1'-0"



PRINTS ISSUED FOR	CONSTRUCTION	DSJ	9/16/15
BY			DATE

CONFIDENTIAL AND PROPRIETARY INFORMATION
 THESE DRAWINGS ARE THE SOLE AND EXCLUSIVE PROPERTY OF THE BUILDING MANUFACTURER, SENSITIVE, PRIVILEGED, AND CONFIDENTIAL INFORMATION CONTAINED HEREIN IS NOT TO BE DISCLOSED OR REPRODUCED IN ANY MANNER WITHOUT THE WRITTEN PERMISSION FROM THE BUILDING MANUFACTURER. ALL COPIES MUST BE RETURNED UPON DEMAND.

PROJECT:
40 X 270 X 16-0 HS

LOCATION:
OGDEN, UT 84404

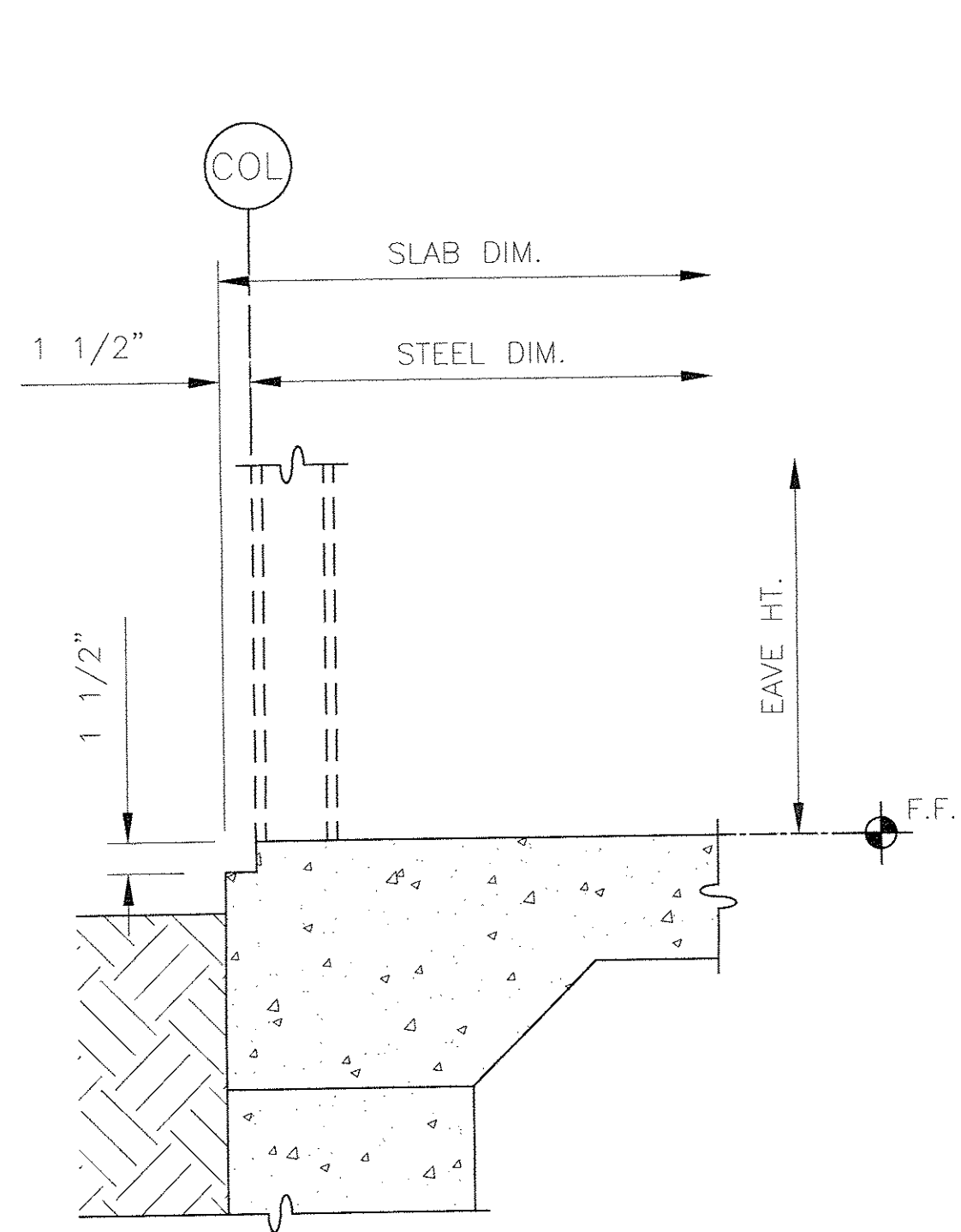
ARMSTRONG STEEL CORPORATION
 5619 DTC Parkway
 Greenwood Village, CO 80111
 Phone: 800-345-4610
 Fax: 720-230-7266



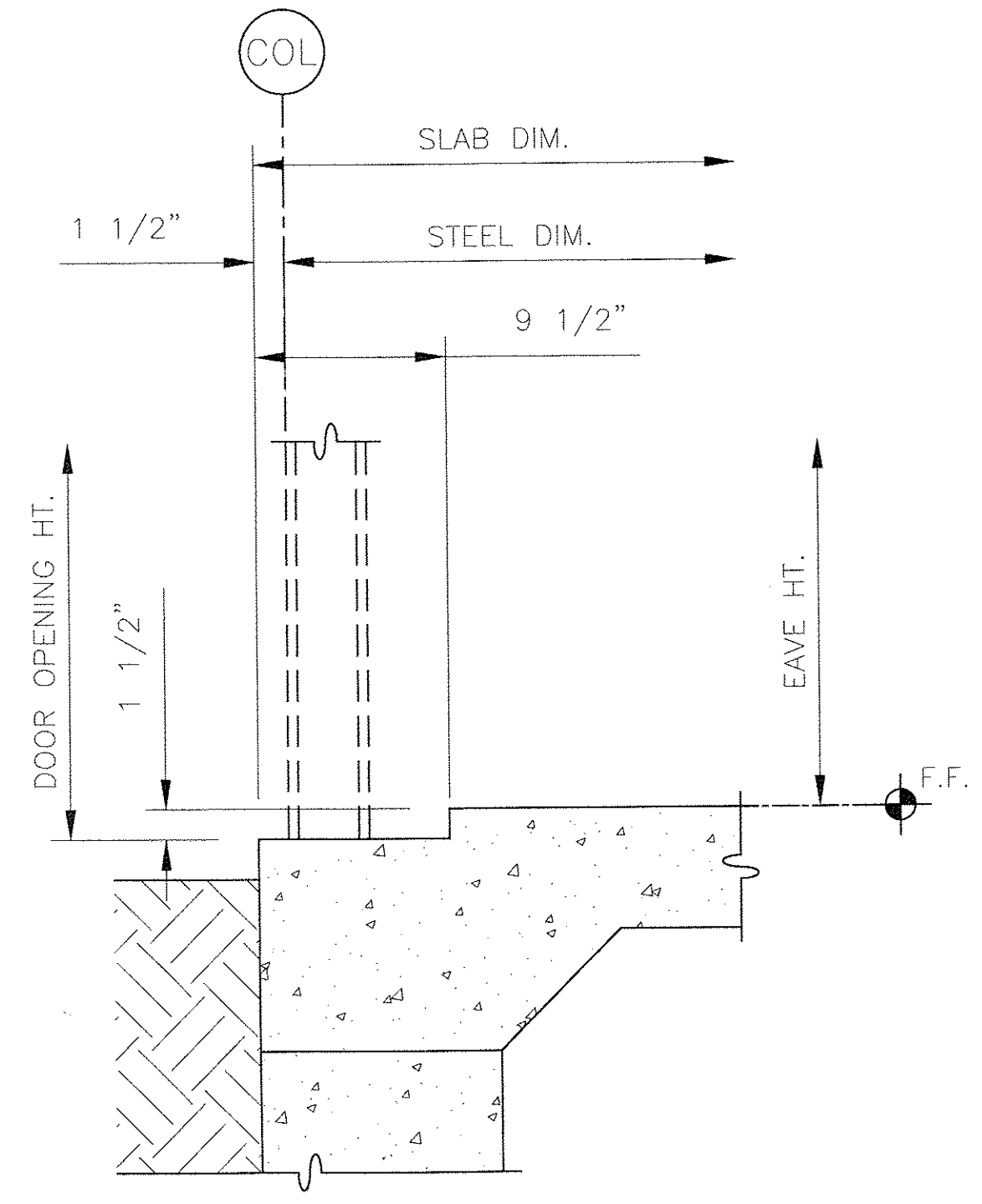
DWG #15-1407JVE

Sheet

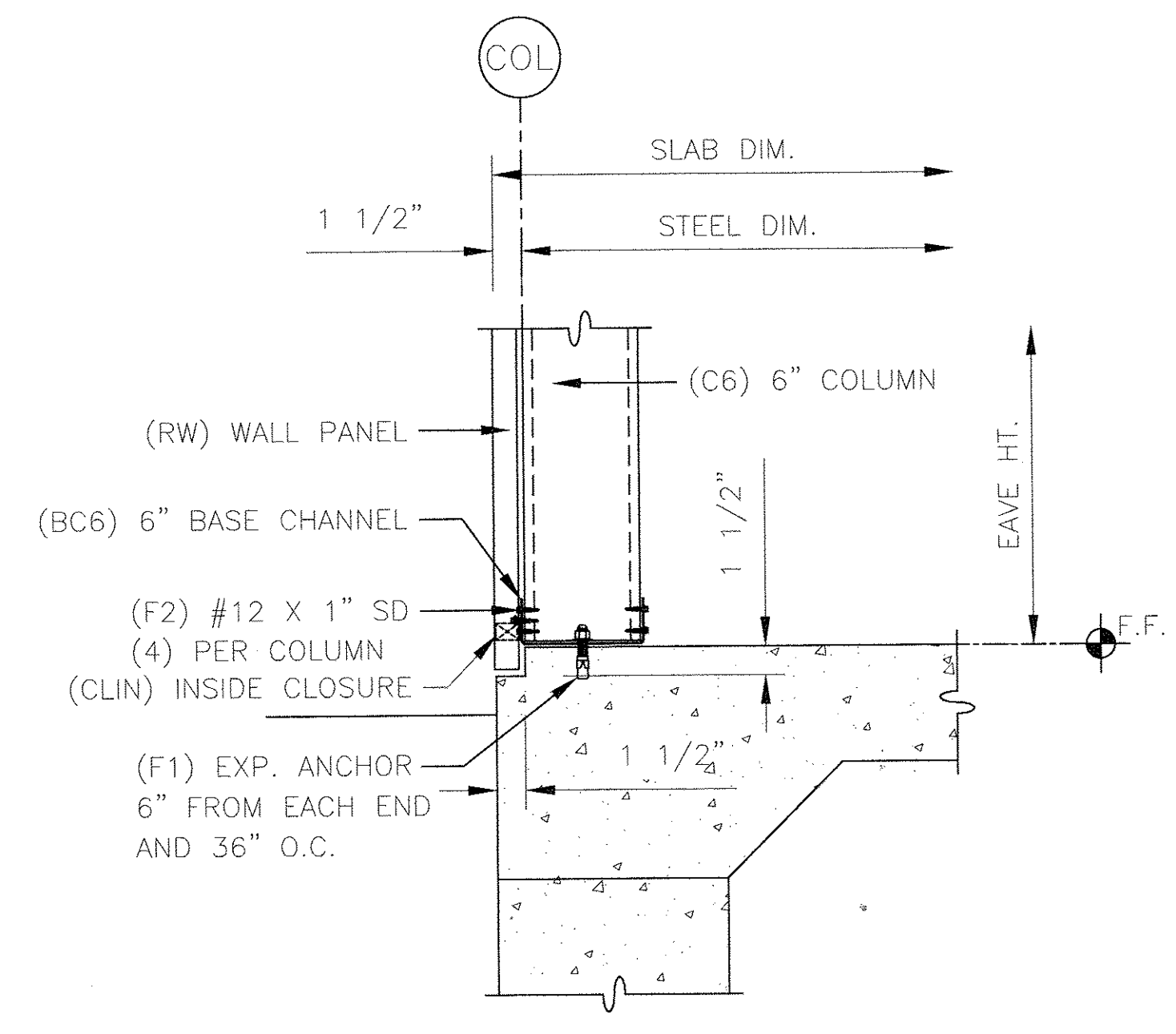
4 of 7



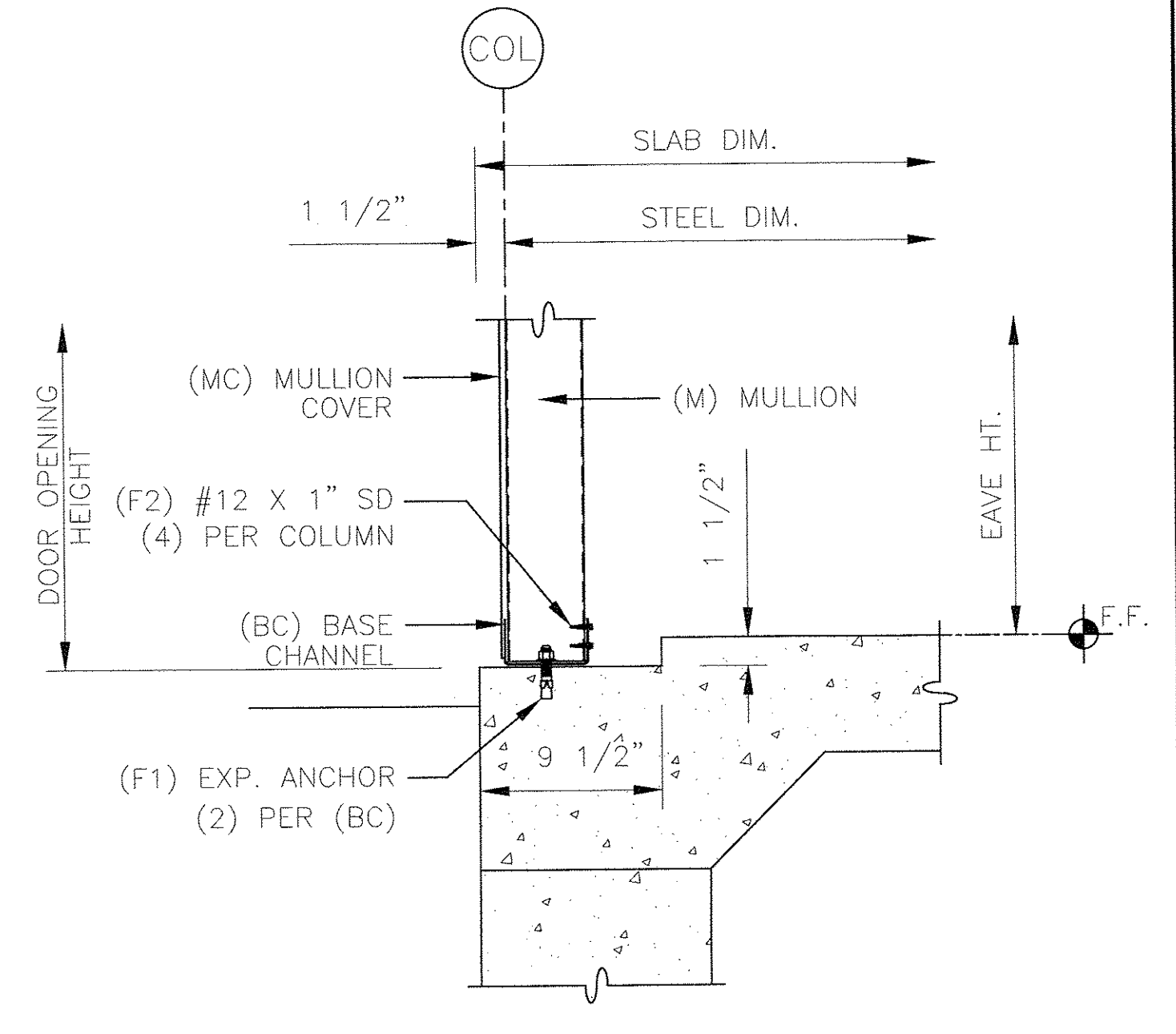
1 WALL EDGE SLAB NOTCH
1 1/2" X 1 1/2" NOTCH



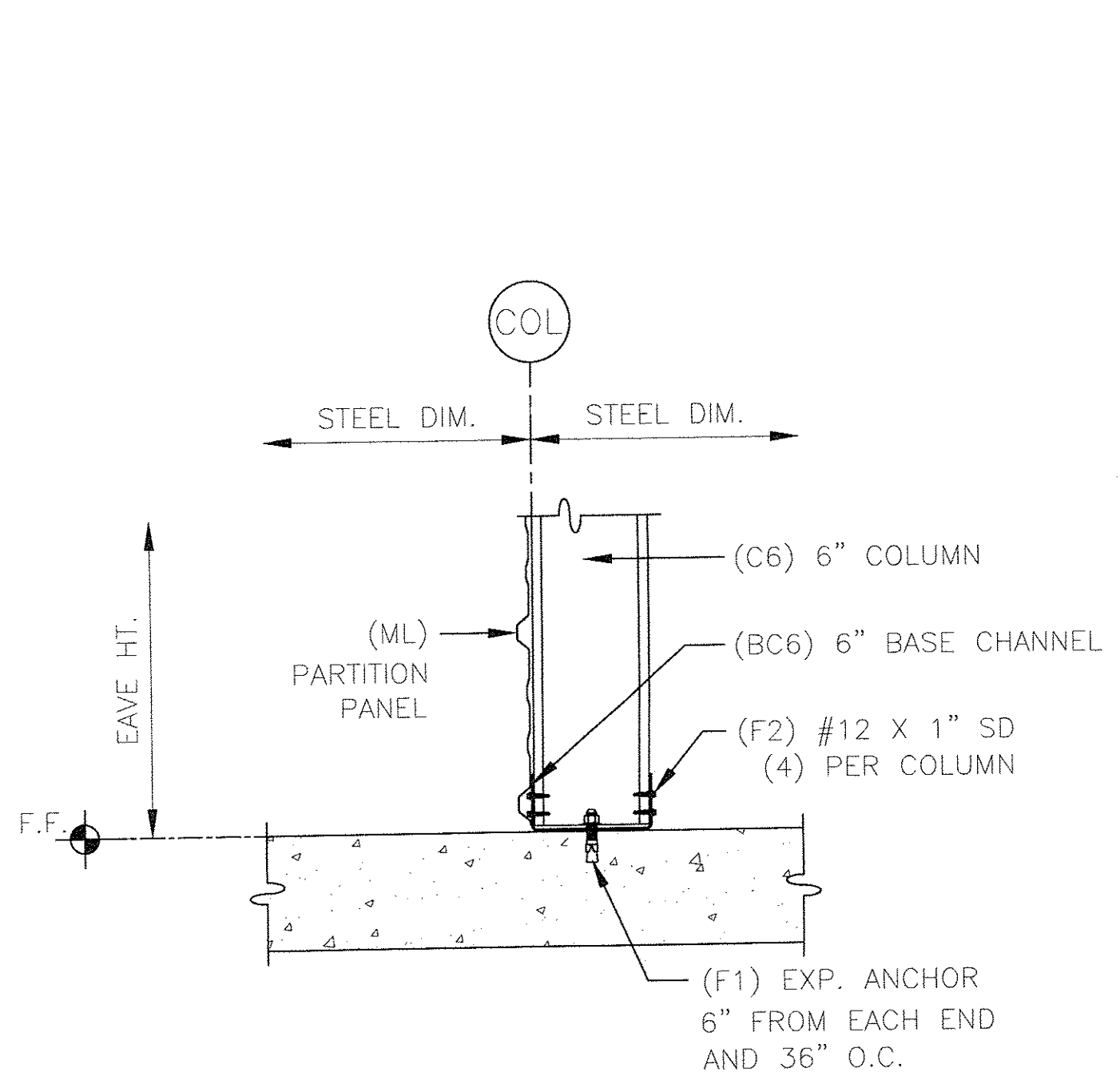
2 DOOR EDGE SLAB NOTCH
9 1/2" X 1 1/2" NOTCH



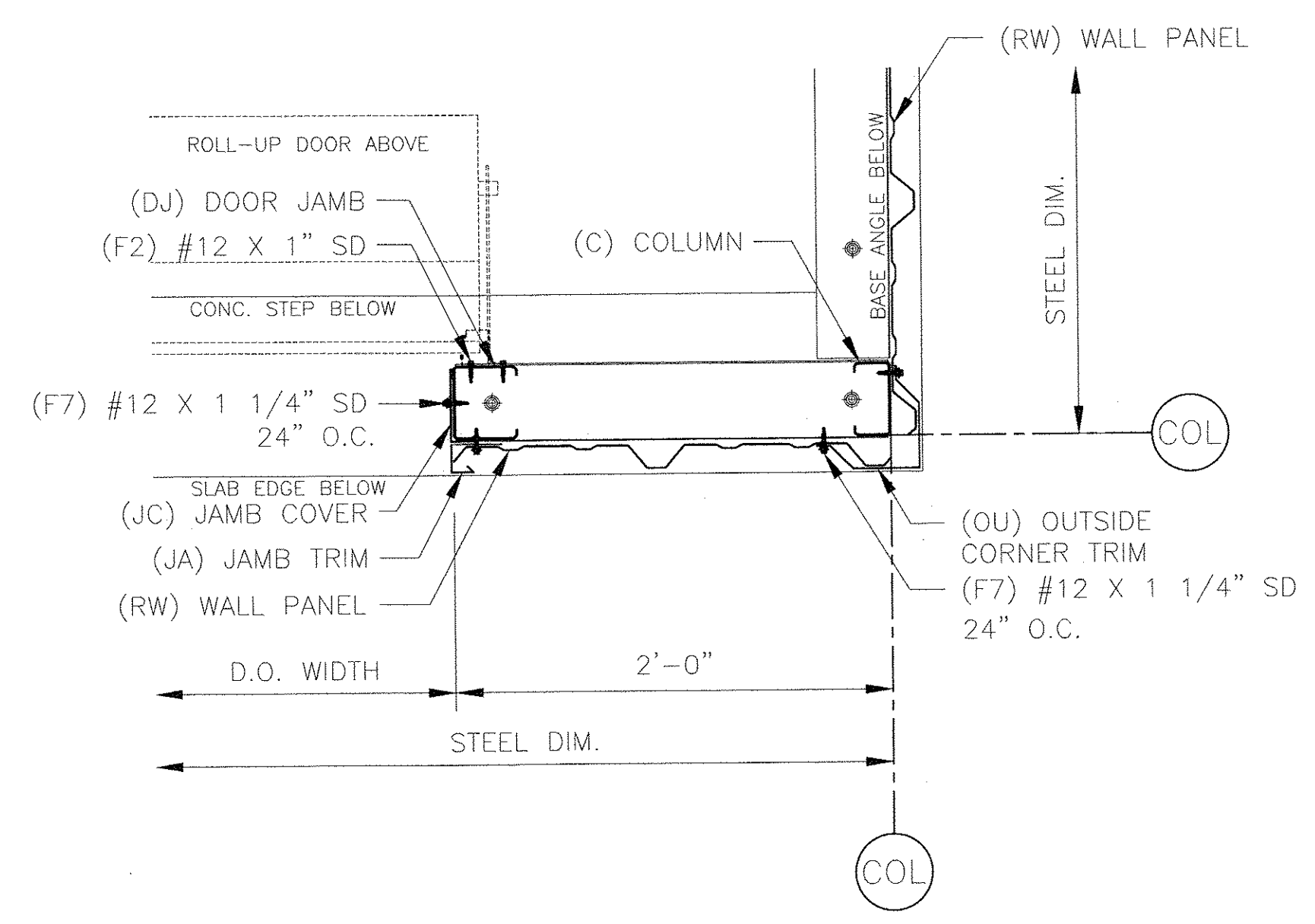
3 WALL EDGE BASE CHANNEL



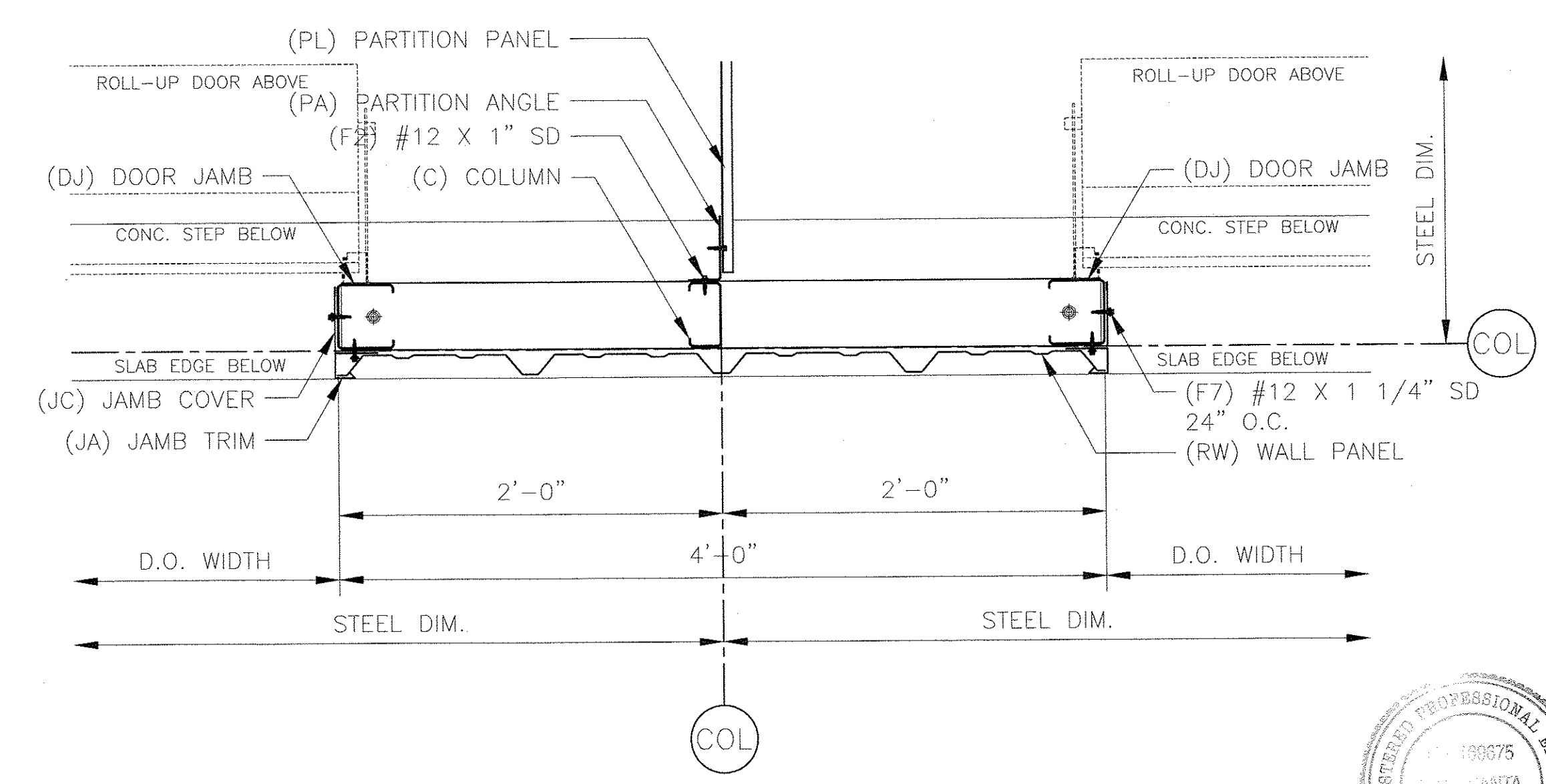
4 DOOR EDGE BASE



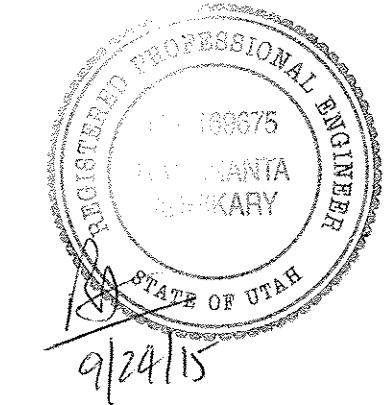
5 COLUMN FLOOR BASE CHANNEL



6 DOOR JAMB - 24" CORNER



7 48" R-PANEL DOOR MULLION



CONSTRUCTION	FOR	BY	DATE
DSJ			9/16/15

CONFIDENTIAL AND PROPRIETARY INFORMATION
 THESE DRAWINGS ARE THE SOLE AND EXCLUSIVE PROPERTY OF THE BUILDING MANUFACTURER, SENSITIVE, PRIVILEGED, AND CONFIDENTIAL INFORMATION CONTAINED HEREIN IS NOT TO BE DISCLOSED OR REPRODUCED IN ANY MANNER WITHOUT THE WRITTEN PERMISSION OF THE BUILDING MANUFACTURER. THESE DRAWINGS MAY NOT BE USED TO CONSTRUCT LIKE PROJECTS WITHOUT WRITTEN PERMISSION FROM THE BUILDING MANUFACTURER. ALL COPIES MUST BE RETURNED UPON DEMAND.

PROJECT:
40 X 270 X 16-0 HS
 LOCATION:
OGDEN, UT 84404

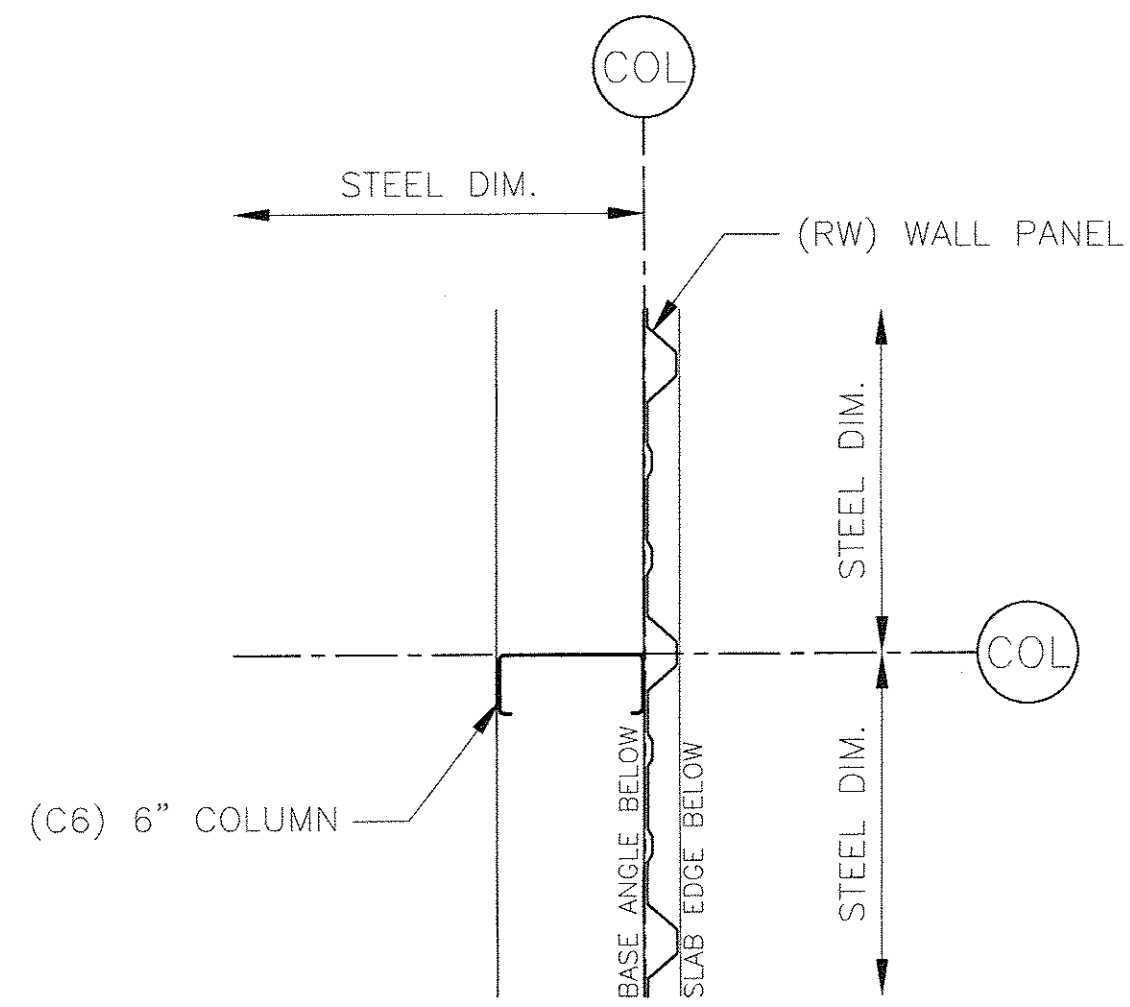
ARMSTRONG STEEL CORPORATION
 5619 DTC Parkway
 Greenwood Village, CO 80111
 Phone: 800-345-4610
 Fax: 720-230-7266



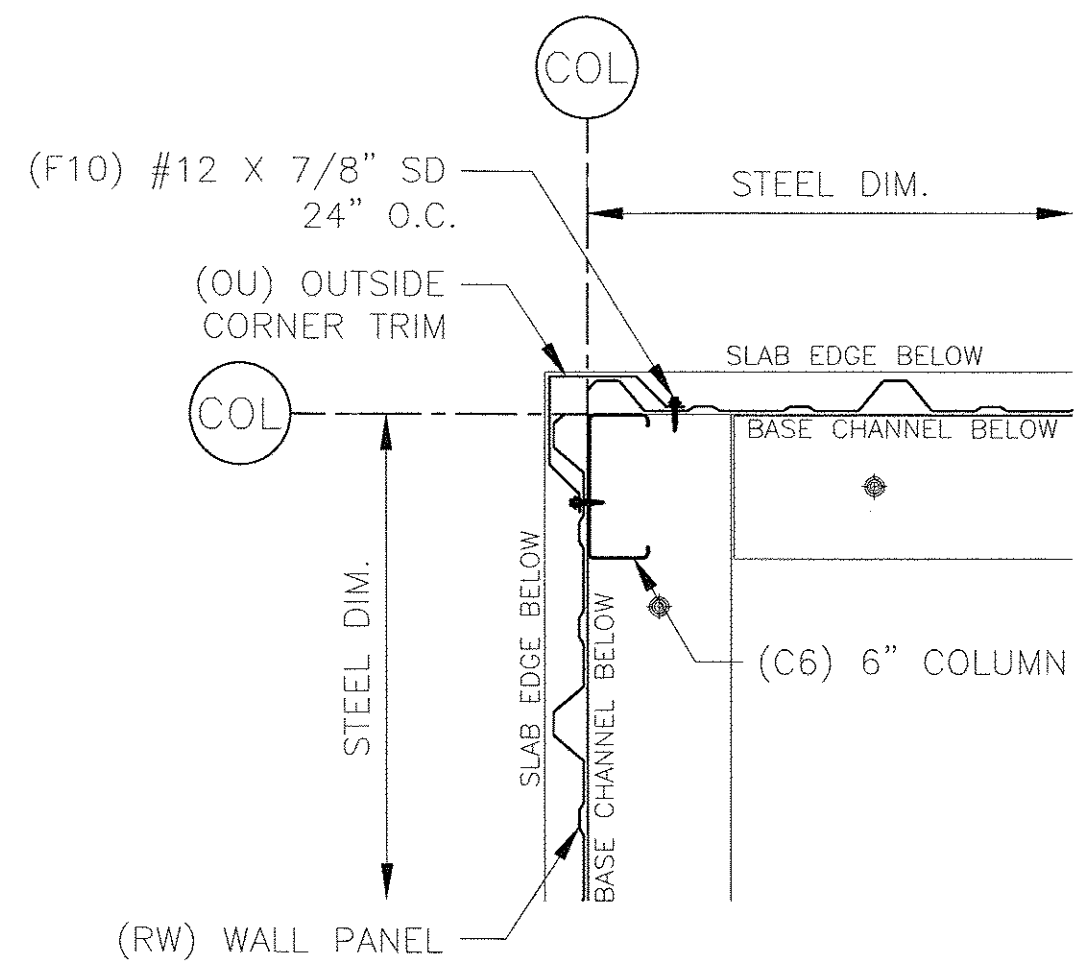
DWG #15-1407JVE

Sheet

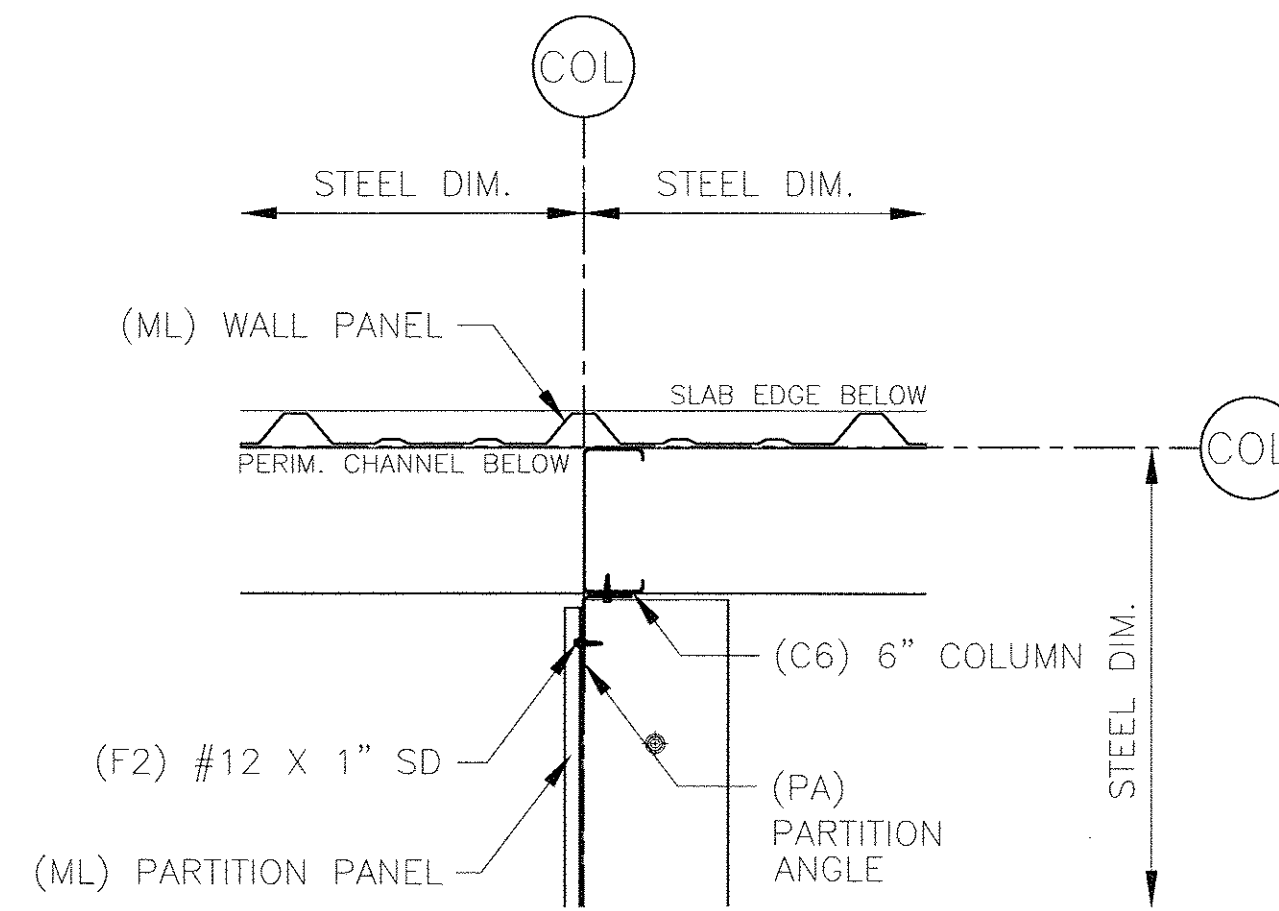
5 of 7



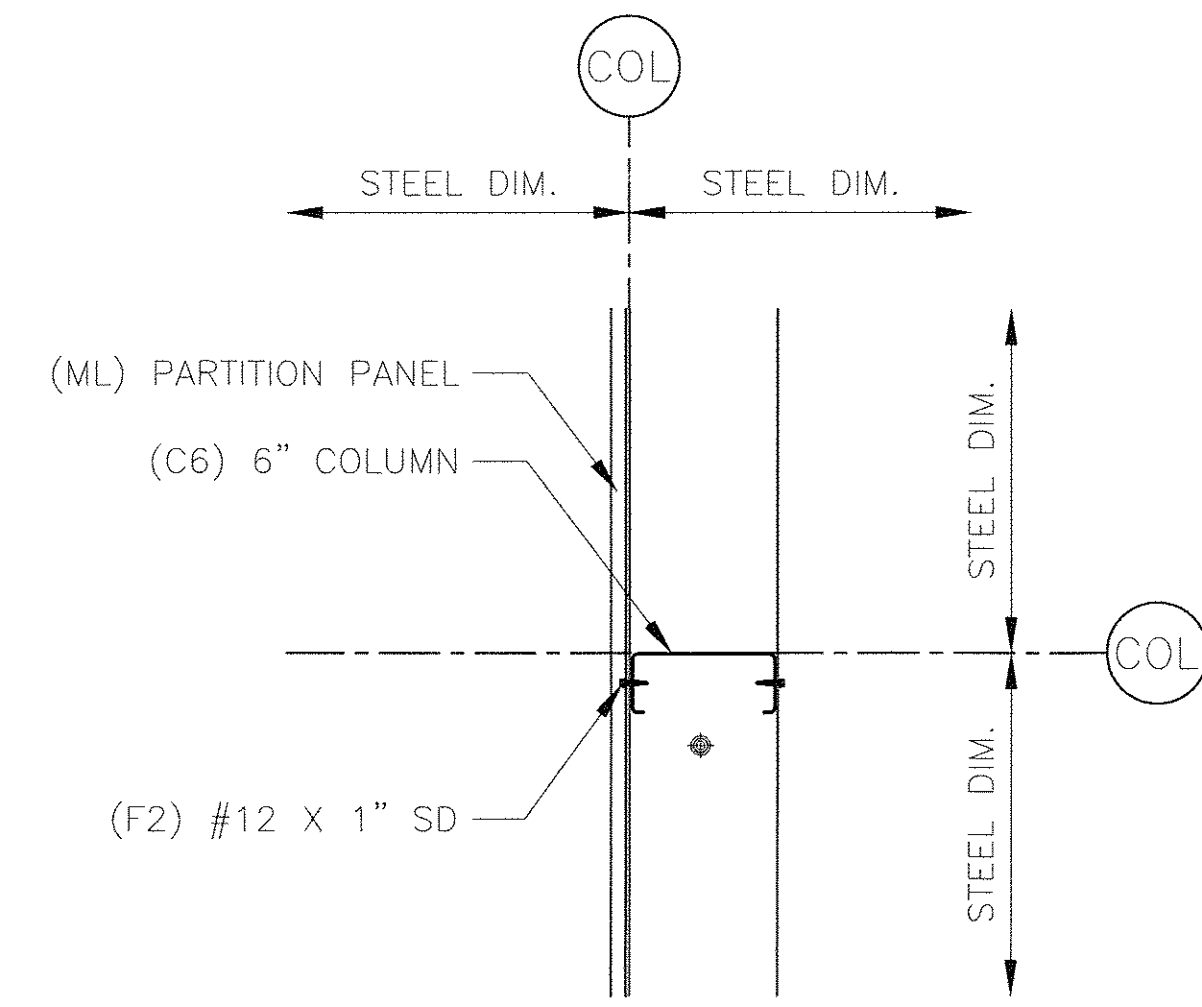
8 WALL



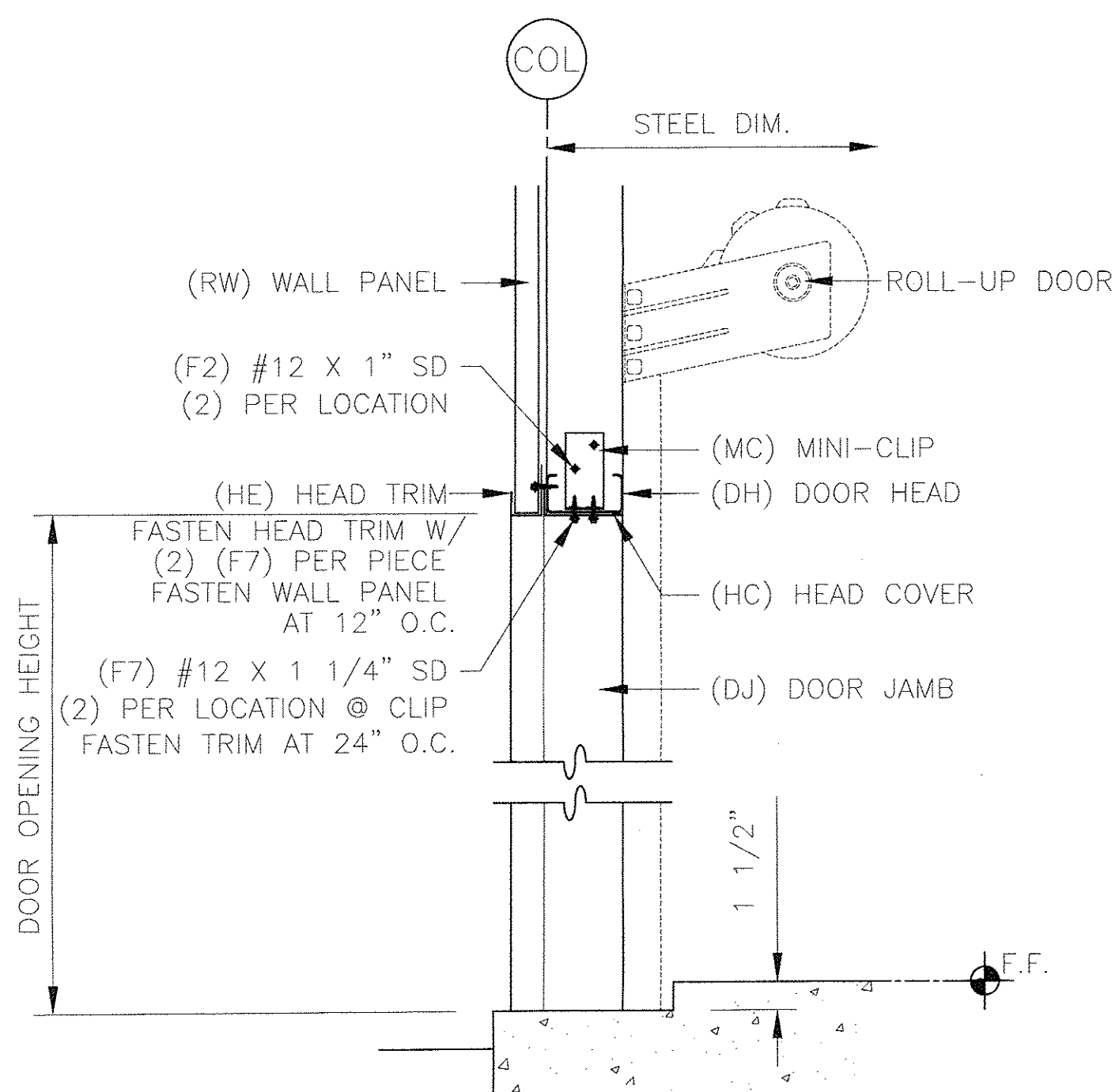
9 OUTSIDE CORNER



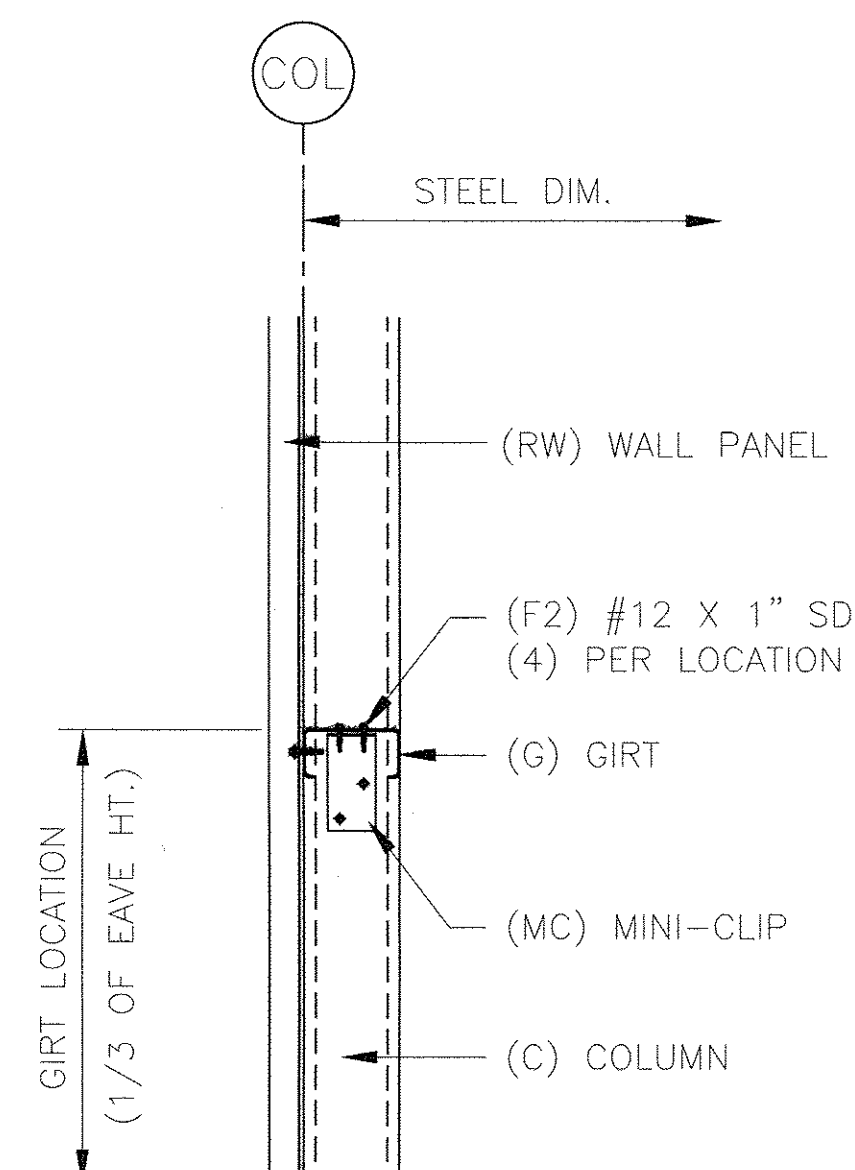
10 WALL WITH PARTITION



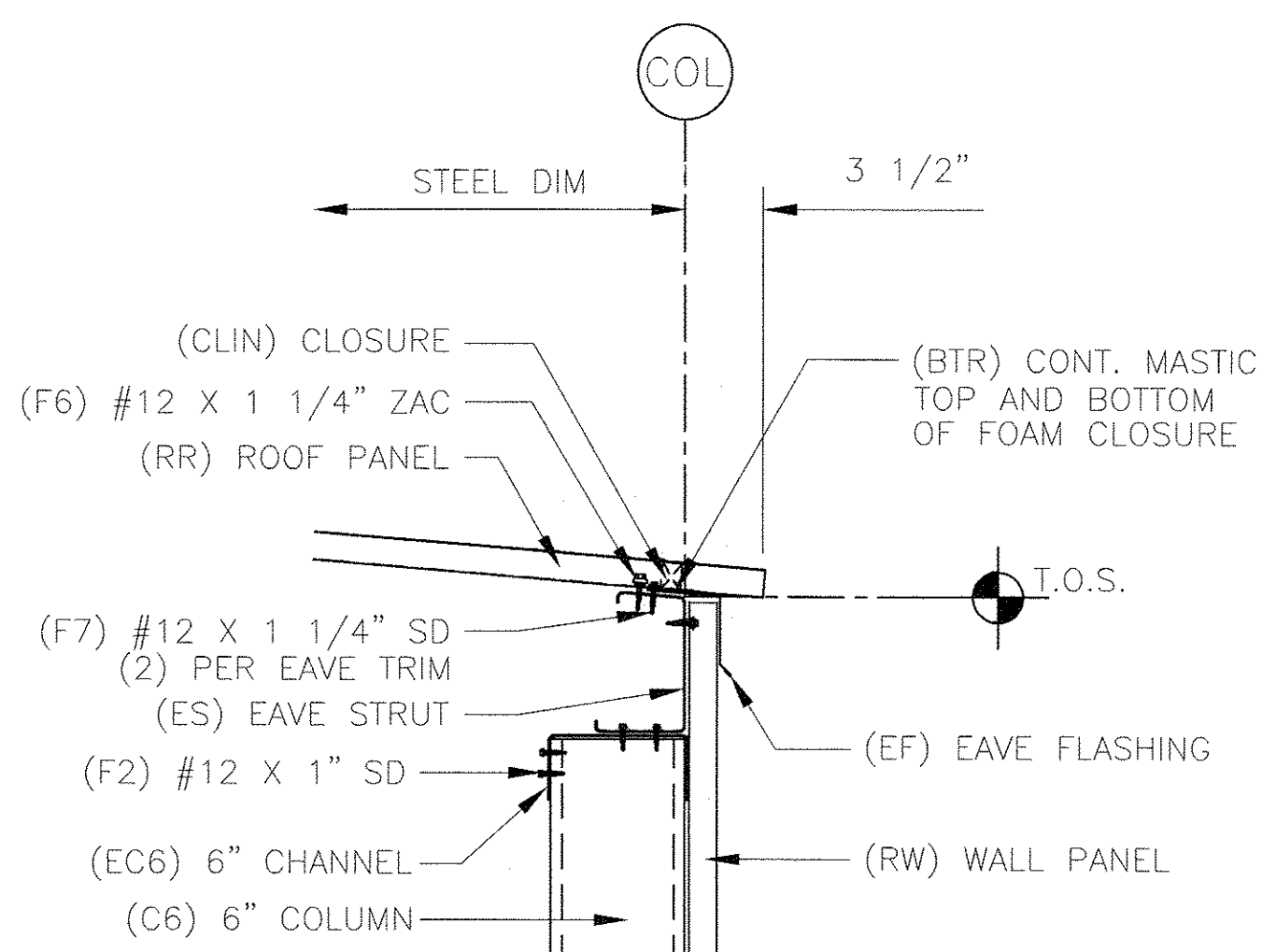
11 6" COLUMN



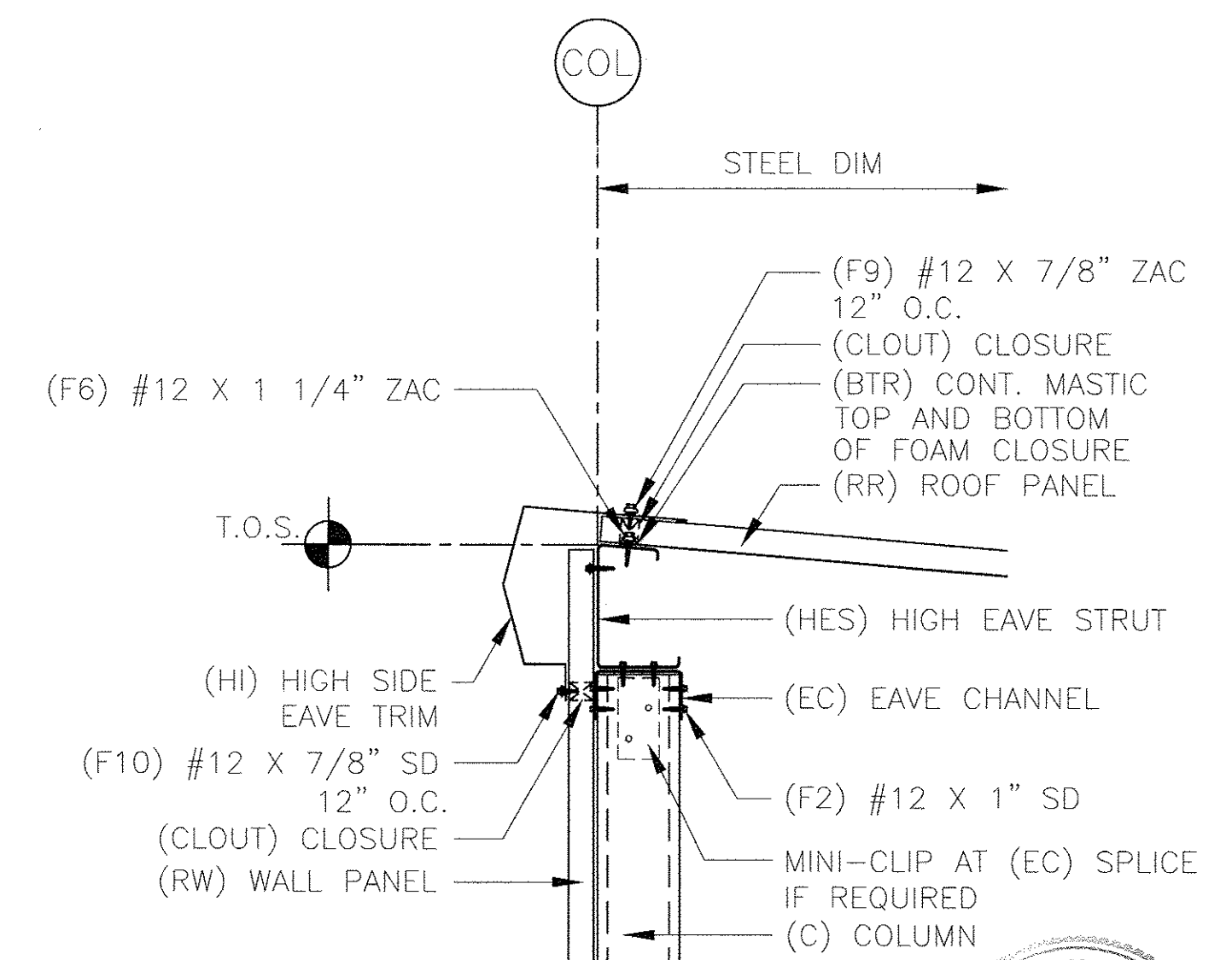
12 DOOR HEAD



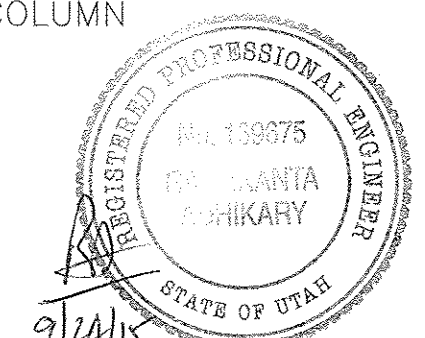
14 TYPICAL GIRT



15 LOW EAVE STRUT



16 HIGH EAVE



CONSTRUCTION	DSJ	9/16/15
PRINTS ISSUED FOR	BY	DATE

CONFIDENTIAL AND PROPRIETARY INFORMATION
 THESE DRAWINGS ARE THE SOLE AND EXCLUSIVE PROPERTY OF THE BUILDING MANUFACTURER. SENSITIVE, PRIVILEGED, AND CONFIDENTIAL INFORMATION CONTAINED IN THESE DRAWINGS MAY ONLY BE USED FOR ITS BENEFIT. THE DISCLOSURE OF THESE DRAWINGS TO UNAUTHORIZED PERSONS OR FOR ANY OTHER PROJECTS WITHOUT WRITTEN PERMISSION FROM THE BUILDING MANUFACTURER, THIS DOCUMENT AND ALL COPIES MUST BE RETURNED UPON DEMAND.

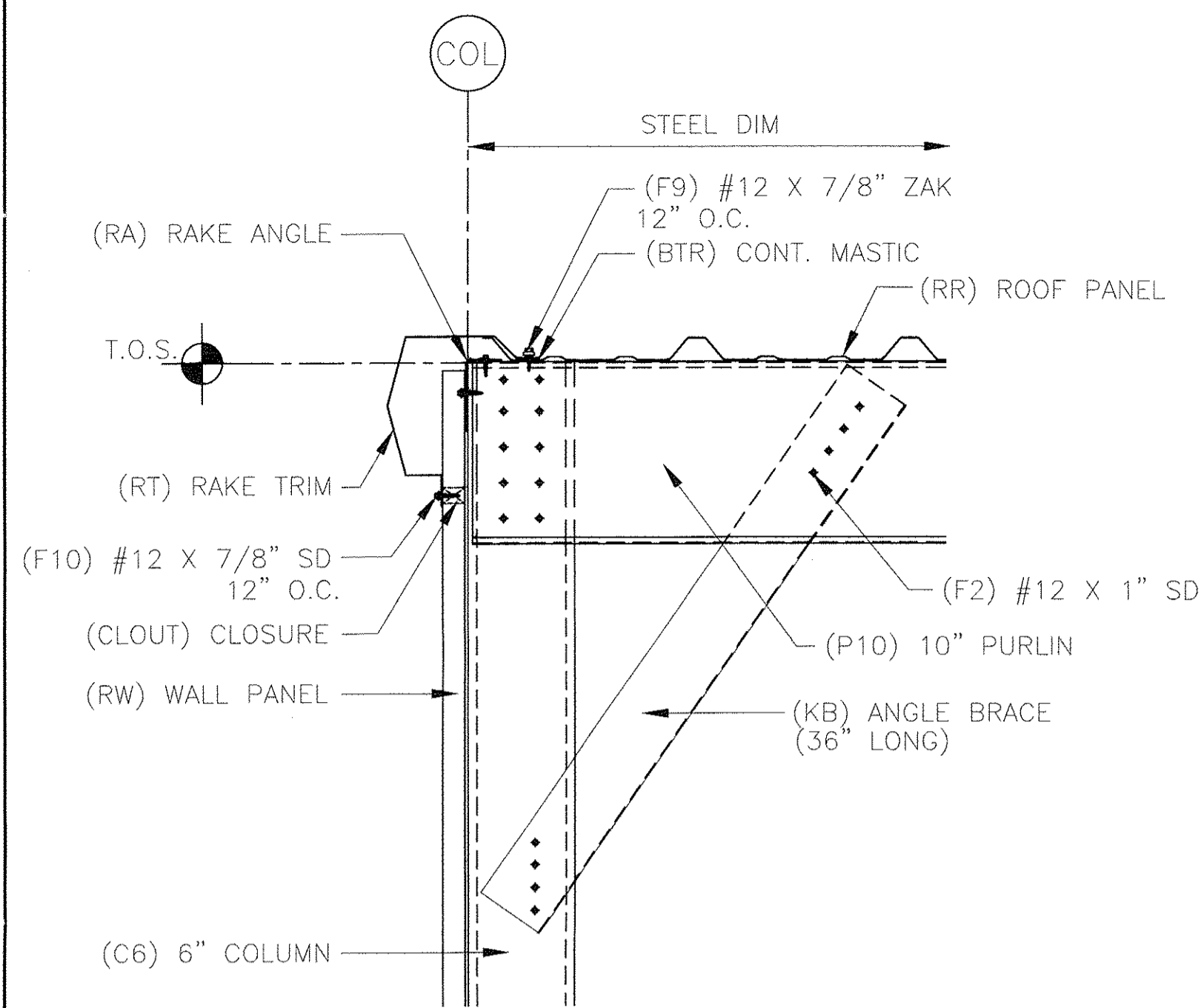
PROJECT: 40 X 270 X 16-0 HS
 LOCATION: OGDEN, UT 84404

ARMSTRONG STEEL CORPORATION
 5619 DTC Parkway
 Greenwood Village, CO 80111
 Phone: 800-345-4610
 Fax: 720-230-7266

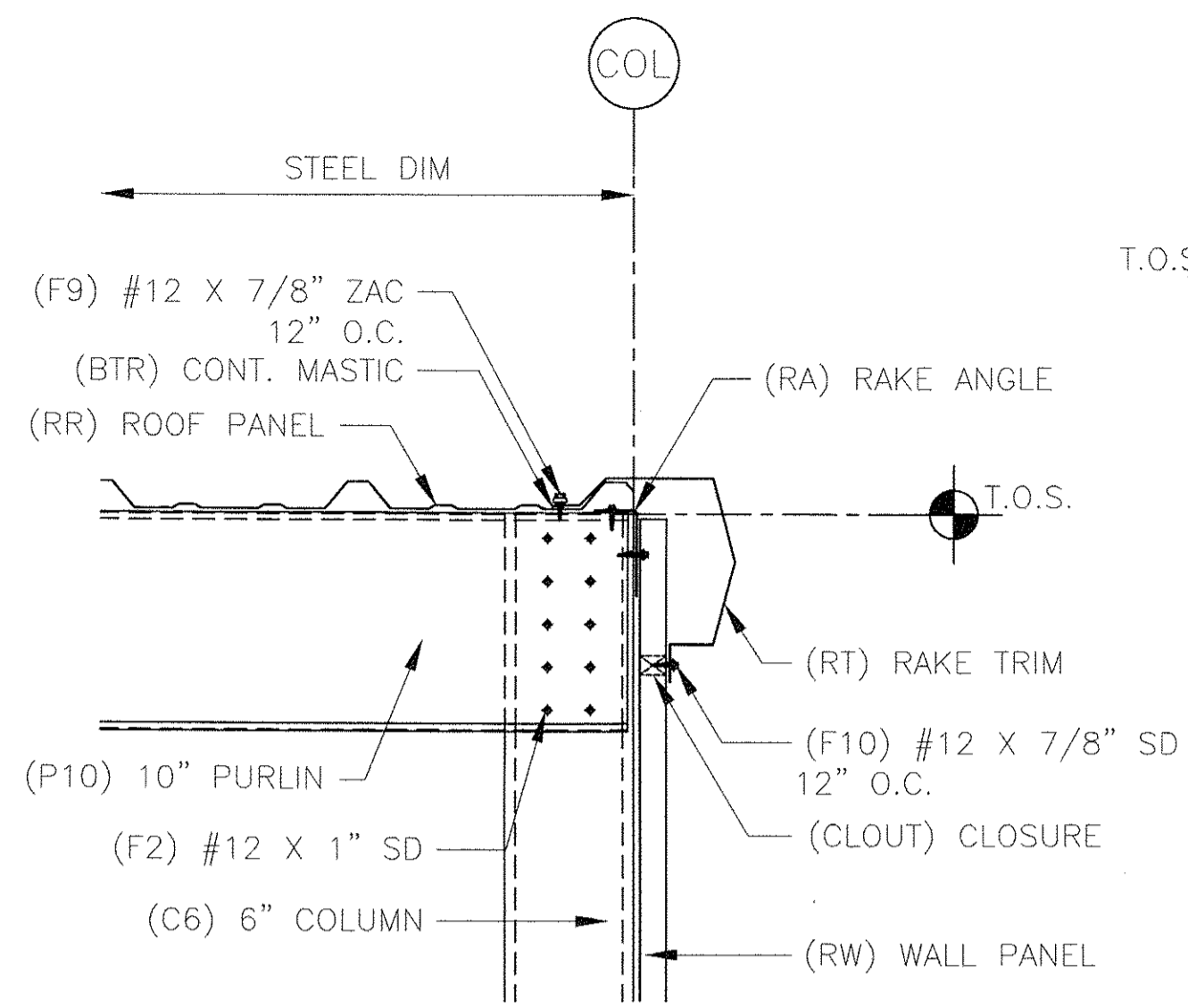
DWG #15-1407JVE

Sheet

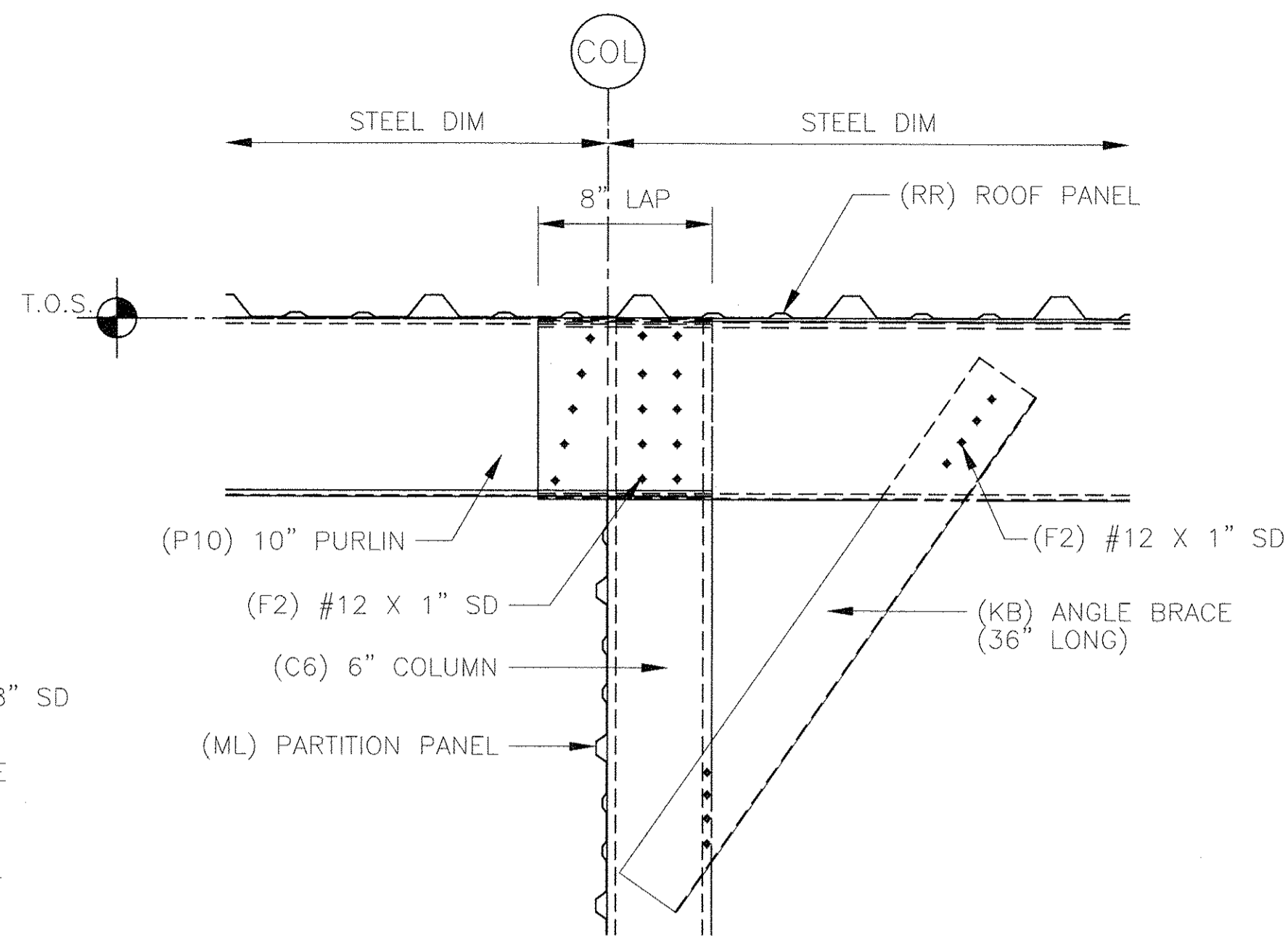
6 of 7



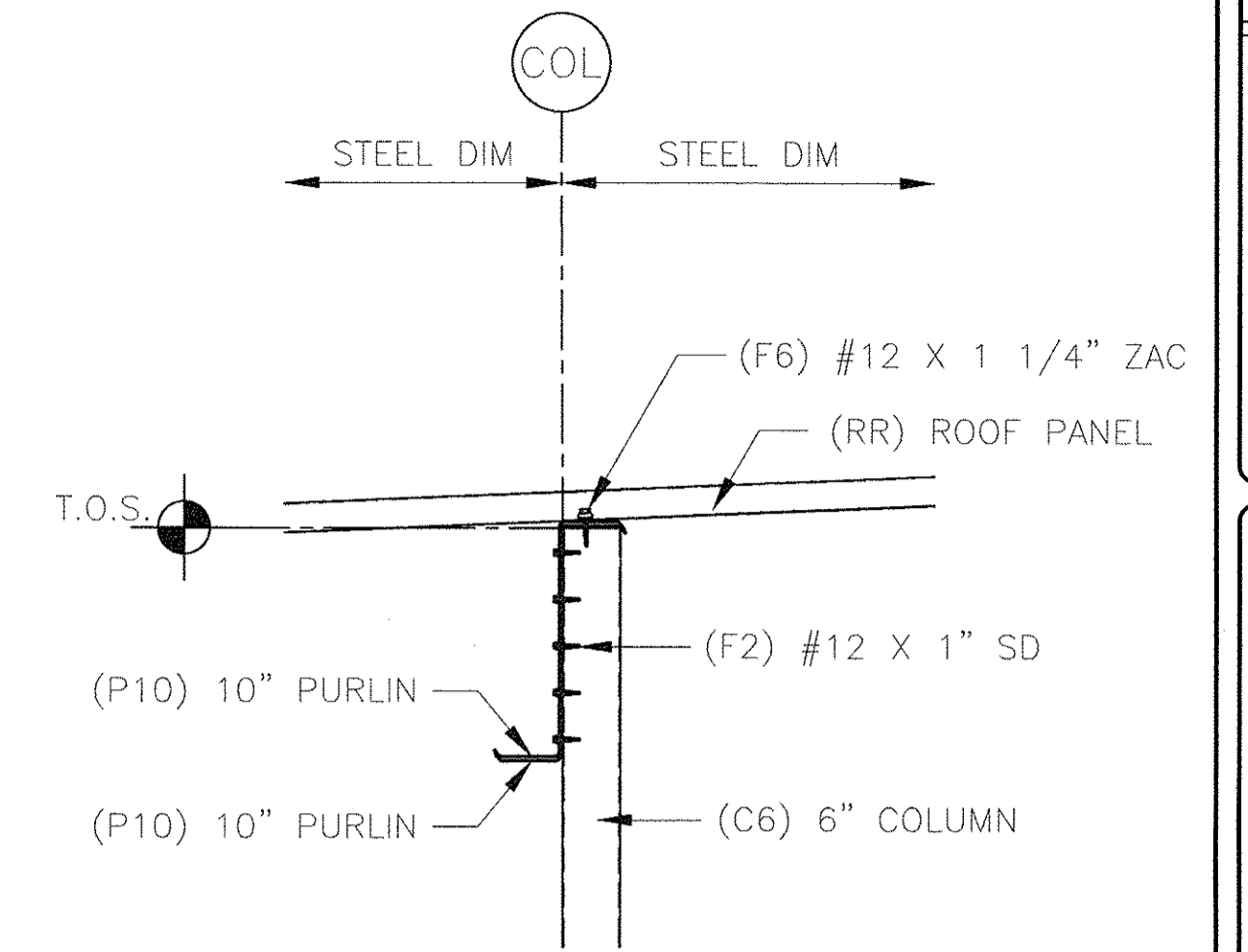
17 RAKE W/ KNEE BRACE



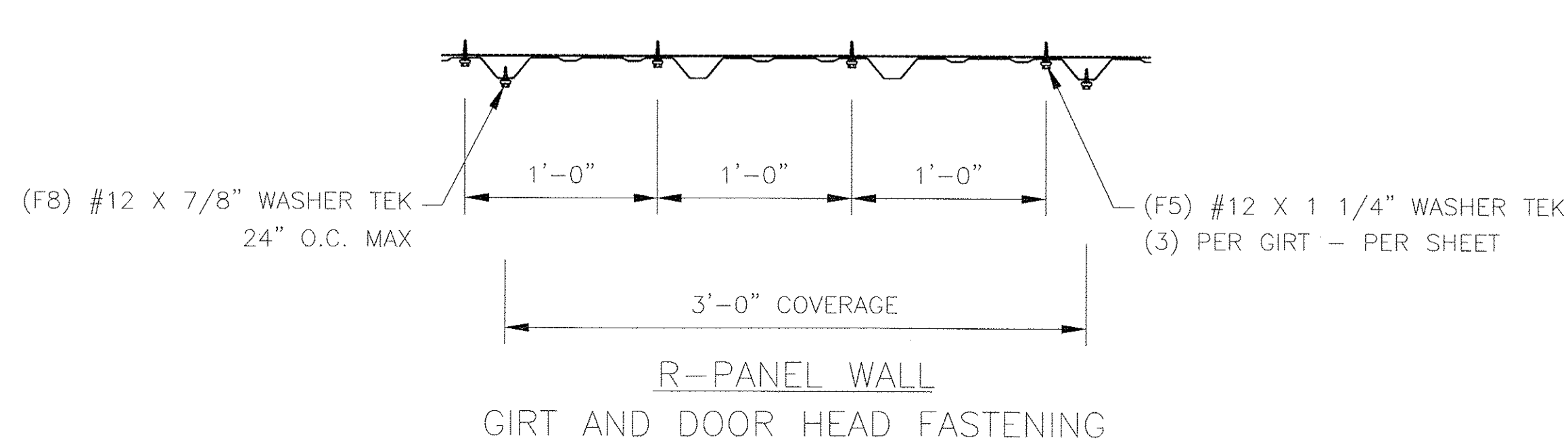
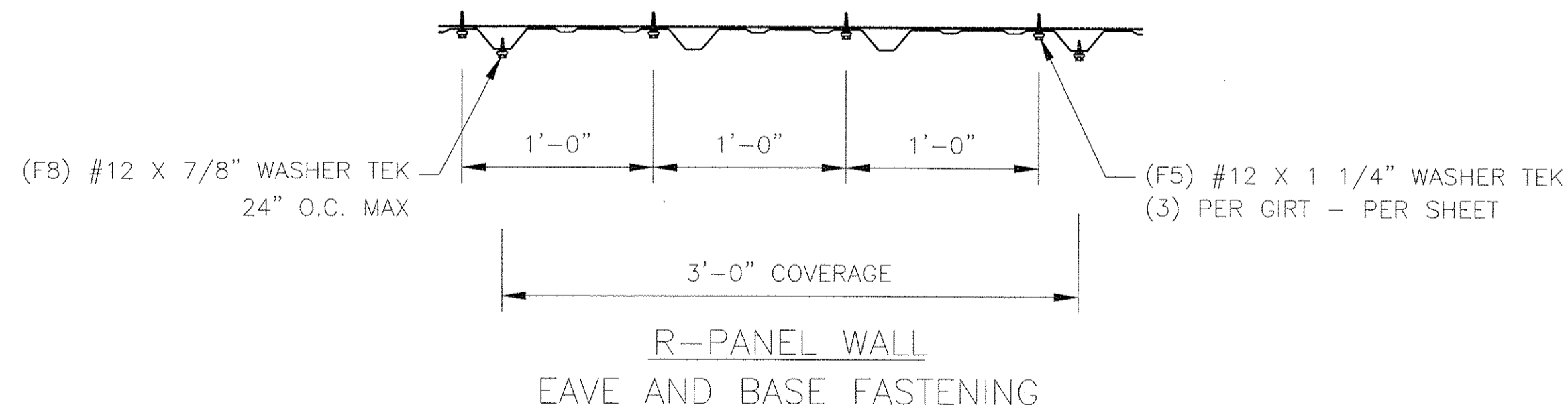
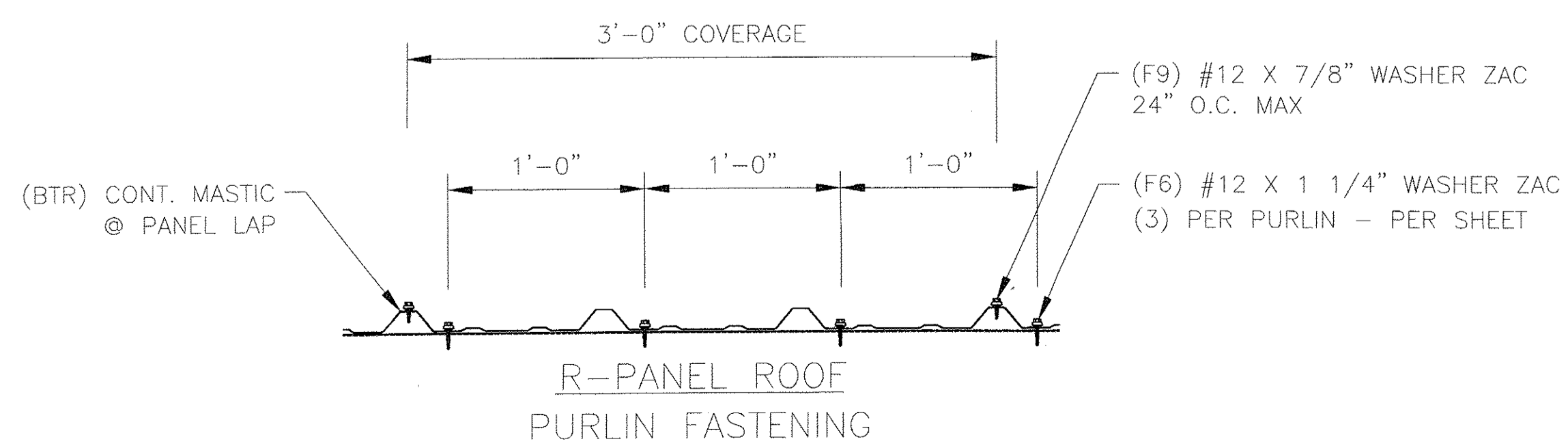
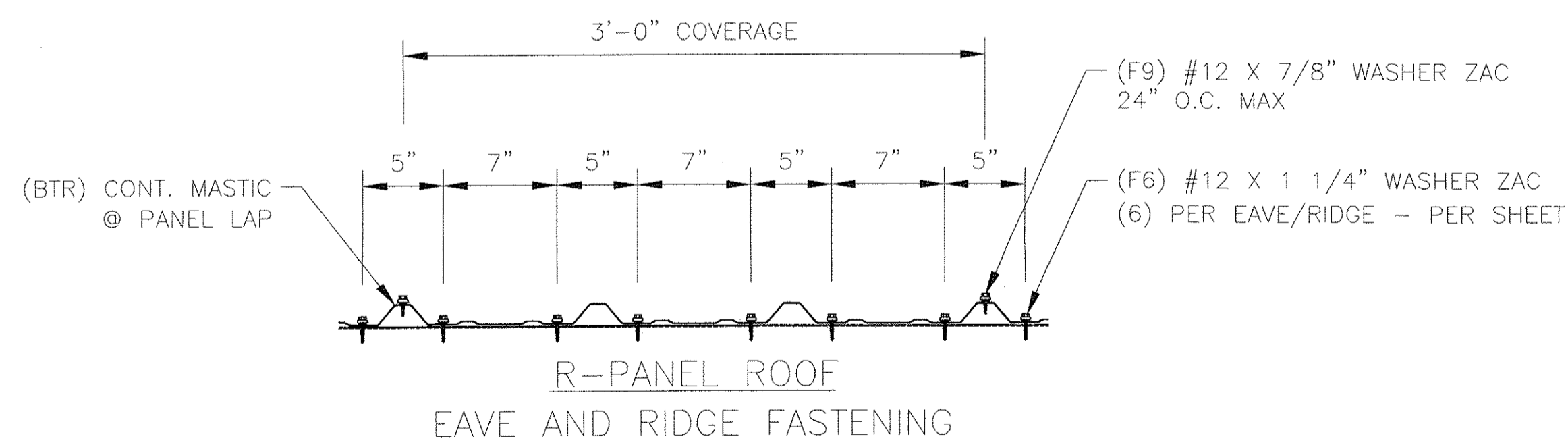
18 RAKE - 10" PURLIN



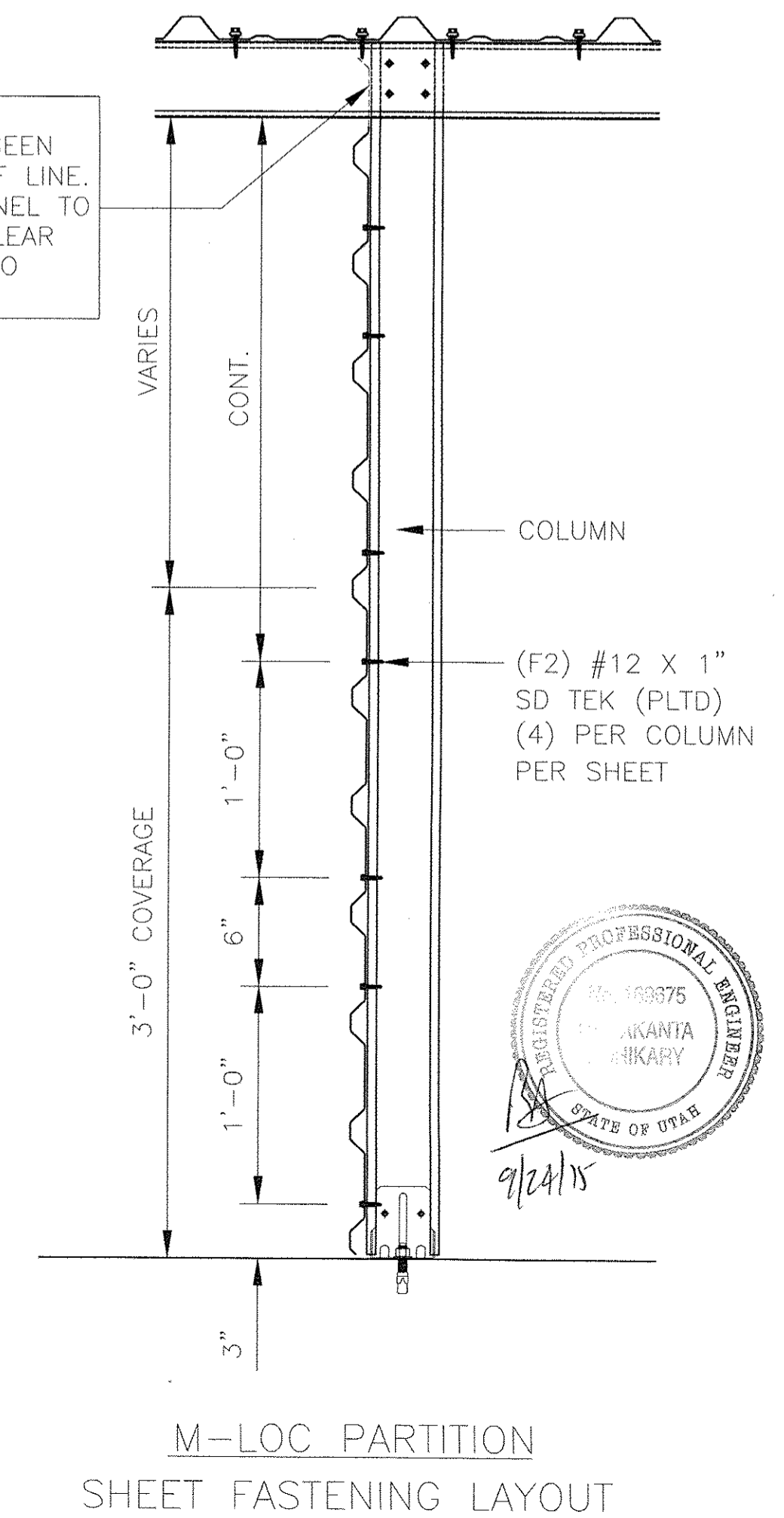
19 KNEE BRACE AT 10" PURLIN LAP



20 10" PURLIN LAP SECTION



ERECTOR NOTE:
PARTITION PANELS HAVE BEEN SUPPLIED TO REACH ROOF LINE. NOTCH TOP PARTITION PANEL TO MATCH ROOF LINE AND CLEAR PURLIN LEG AS NEEDED TO CLOSE IN THE UNIT.



DATE	9/16/15
BY	DSJ
FOR	CONSTRUCTION

CONFIDENTIAL AND PROPRIETARY INFORMATION
THESE DRAWINGS ARE THE SOLE AND EXCLUSIVE PROPERTY OF THE BUILDING MANUFACTURER. SENSITIVE, PRIVILEGED, AND CONFIDENTIAL INFORMATION CONTAINED IN THESE DRAWINGS MAY ONLY BE USED FOR ITS INTENDED PURPOSE AND IS STRICTLY PROHIBITED FROM BEING REPRODUCED OR TRANSMITTED IN ANY FORM OR BY ANY MEANS, ELECTRONIC OR MECHANICAL, INCLUDING PHOTOCOPYING, RECORDING, OR BY ANY INFORMATION STORAGE AND RETRIEVAL SYSTEM. UNAUTHORIZED PERSONS STRICTLY PROHIBITED FROM THESE DRAWINGS MAY NOT BE USED TO CONSTRUCT LIKE PROJECTS WITHOUT WRITTEN PERMISSION FROM THE BUILDING MANUFACTURER. THIS DOCUMENT AND ALL COPIES MUST BE RETURNED UPON DEMAND.

PROJECT:
40 X 270 X 16-0 HS
LOCATION:
OGDEN, UT 84404

ARMSTRONG STEEL CORPORATION
5619 DTC Parkway
Greenwood Village, CO 80111
Phone: 800-345-4610
Fax: 720-230-7266

DWG #15-1407JVE
Sheet
7 of 7