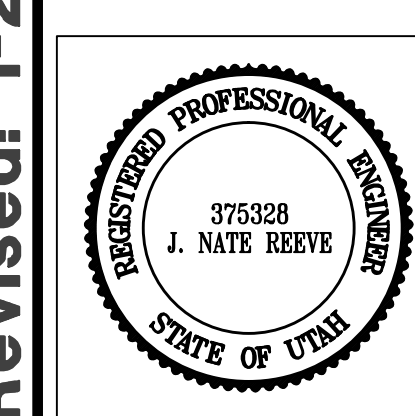


Reeve & Associates, Inc.
920 CHAMBERS STREET, SUITE 14, OGDEN, UTAH 84403
TEL: (801) 621-2100 FAX: (801) 621-2668 www.reeve-assoc.com
LAND PLANNERS • CIVIL ENGINEERS • LAND SURVEYORS
TRAFFIC ENGINEERS • STRUCTURAL ENGINEERS • LANDSCAPE ARCHITECTS

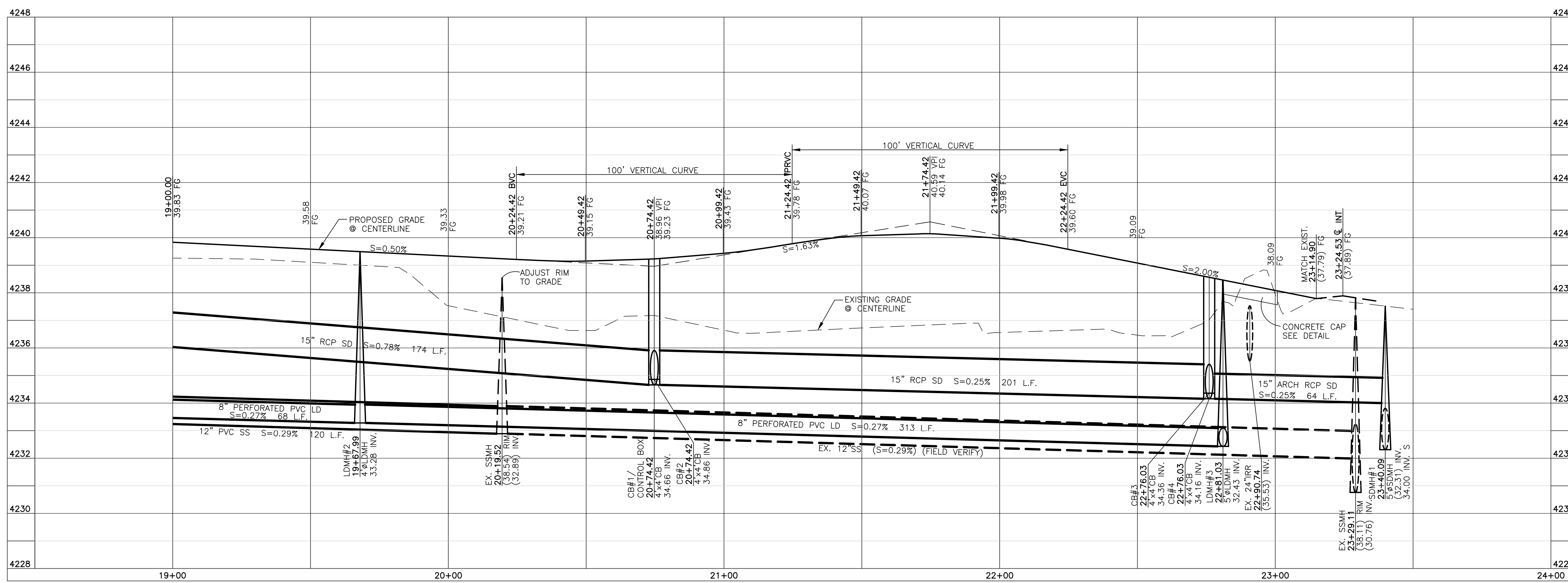
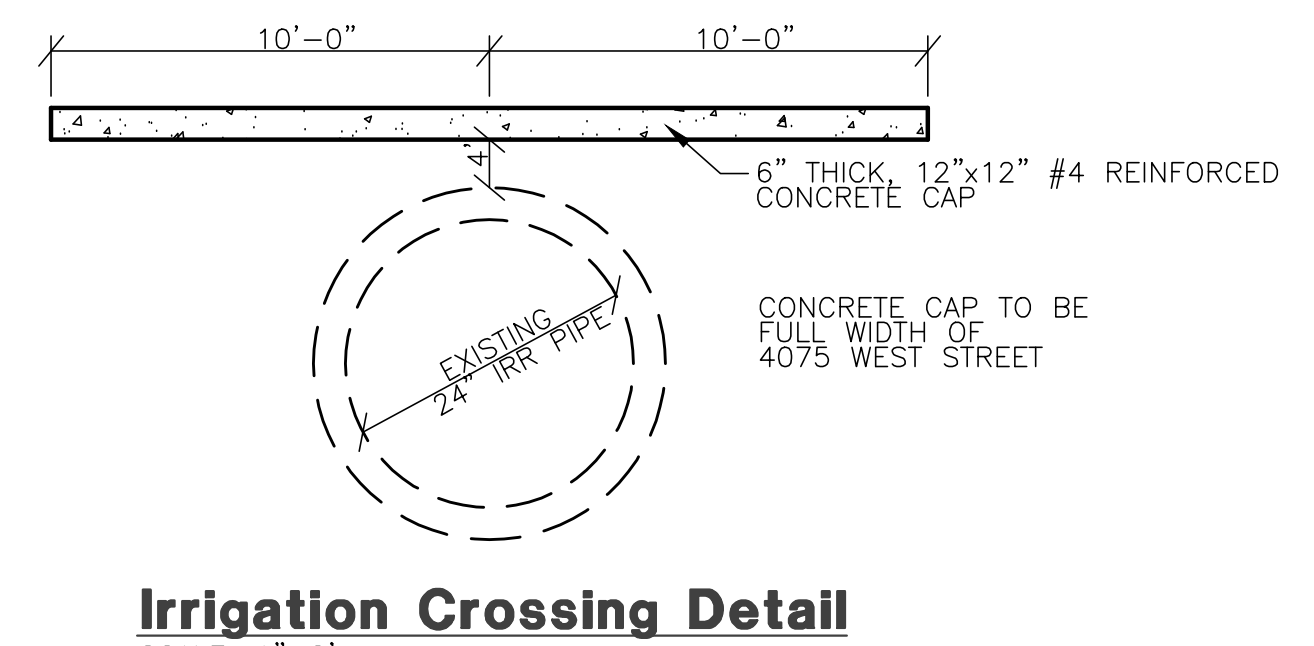
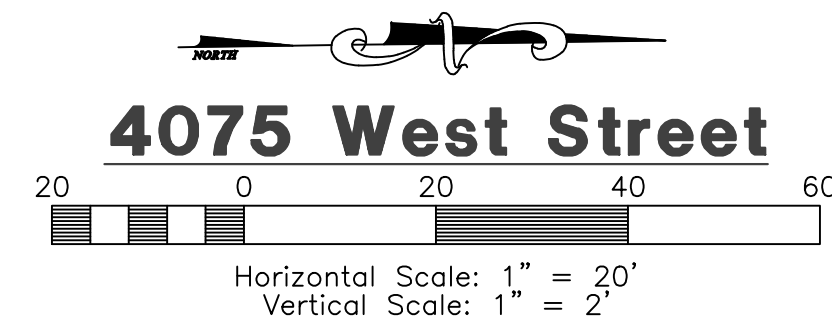
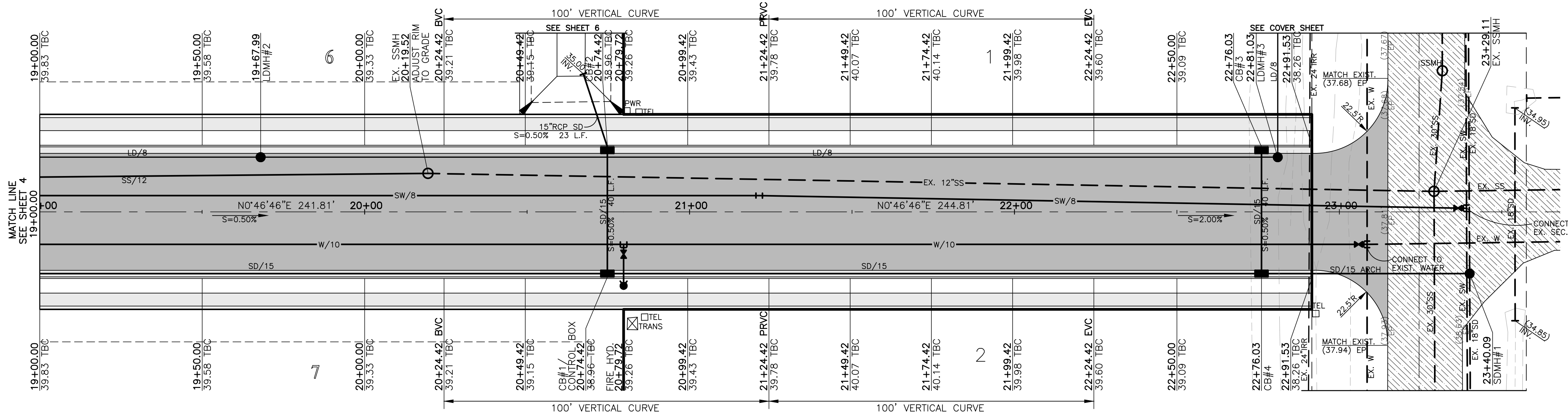
REVISIONS	DATE	DESCRIPTION
9-3-14	RH	Client Changes
1-12-15	RH	County Comments
1-20-15	RH	County Comments

Blue Acres Subdivision Phase-4
WEBER COUNTY, UTAH

4075 West Street
19+00.00 - 23+50.00



Project Info.
Engineer: J. NATE REEVE, P.E.
Drafted: R. HANSEN
Begin Date: JUNE 10, 2014
Name: BLUE ACRES SUBDIVISION PHASE-4
Number: 5036-01



Blue Stakes Location Center
Call: Toll Free 1-800-662-4111
Two Working Days Before You Dig