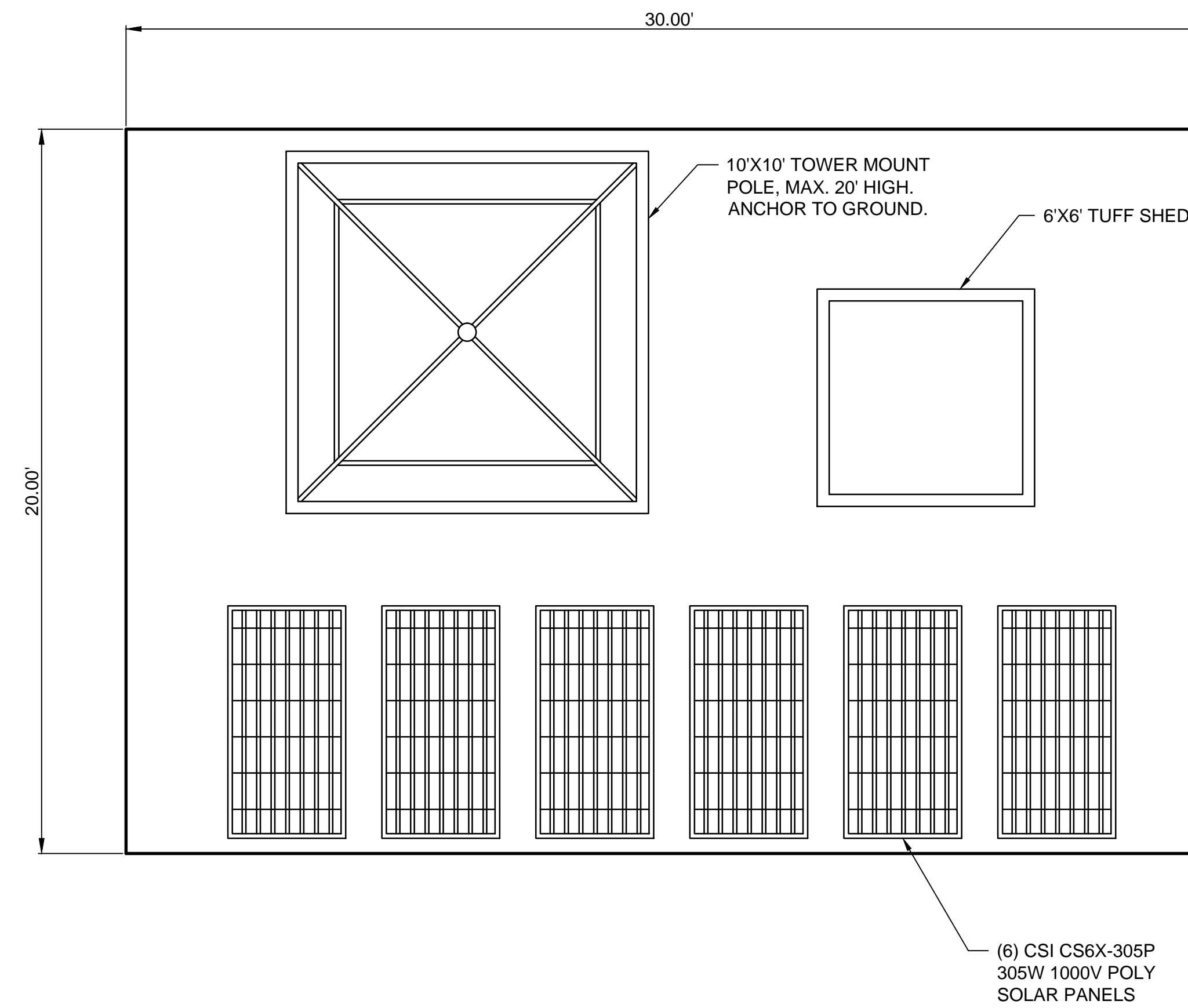
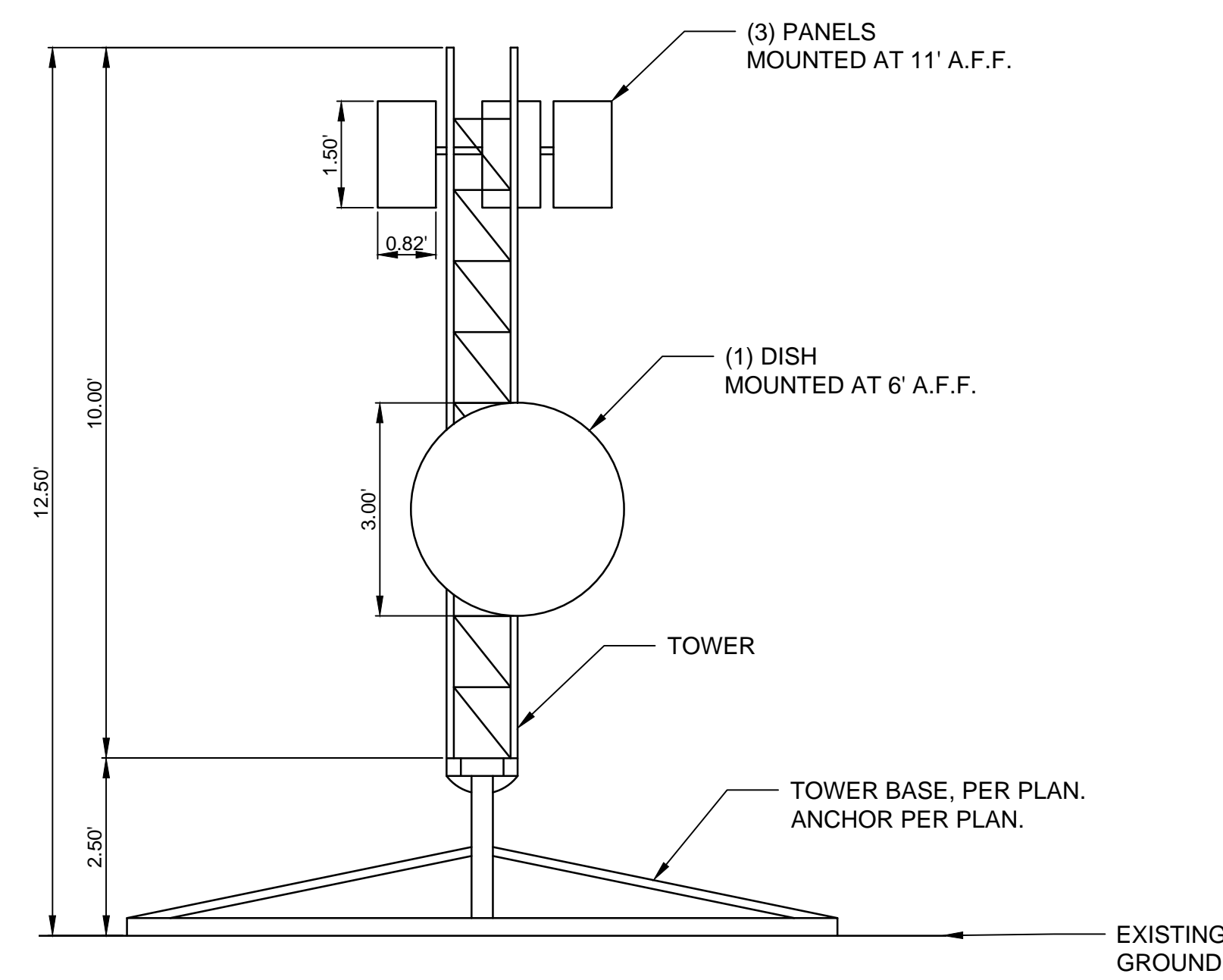


O:\2014\PC-931-1406 Digis Eagle Mountain Site Plan\Project Data\Design\Right\_of\_Way\Digis Site.dwg



**PROCESS:**

- PLACE WEED MATS ON GROUND SPACE
- PLACE GRAVEL ROCK 2" DEEP ON WEED MATS
- PLACE TOWER MOUNT ON GRAVEL ROCK
- PLACE 20+ MASONRY BLOCKS ON BASE OF TOWER MOUNT
- PLACE TUFF SHED ON GRAVEL ROCK
- PLACE SOLAR PANELS ON PRE-MADE ANGLE IRON MOUNT
- PLACE EQUIPMENT ON TOWER MOUNT

**NOTES:**

- SOLAR POWER WILL GO TO SOLAR CONTROLLER IN TUFF SHED
- SOLAR CONTROLLER WILL OUTPUT 24V DC TO EQUIPMENT
- SELF CONTAINED ELECTRICAL POWER - NO ELECTRICAL METER
- NO DIGGING - NO TRENCHING
- TOWER MOUNT REQUIRES NO FOUNDATION
- THIS IS NOT A CELL TOWER



**WARNING**

0 1 2

IF THIS BAR DOES NOT MEASURE 2" THEN DRAWING IS NOT TO SCALE



2162 West Grove Parkway  
Suite 400  
Pleasant Grove, UT 84062  
(801) 763-5100

**DIGIS EDEN SITE DETAIL**

EDEN, WEBER COUNTY, UTAH

SHEET NO. 1 OF 1