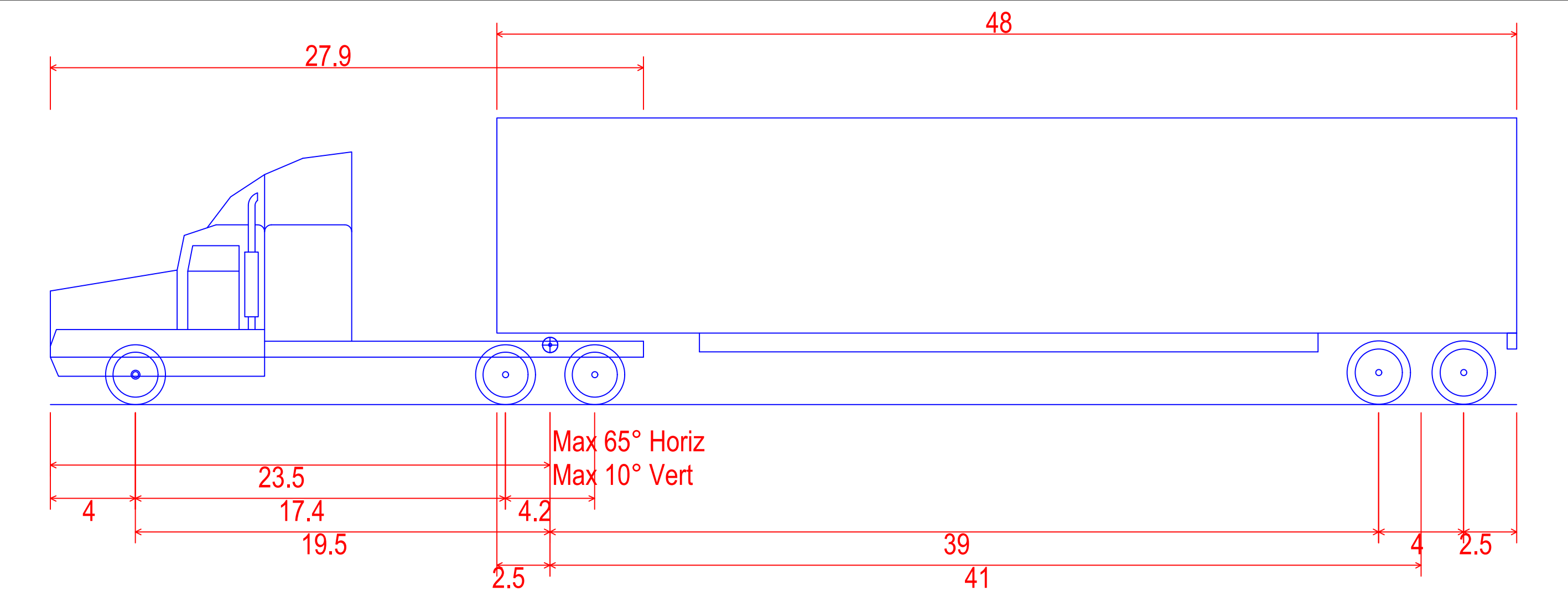
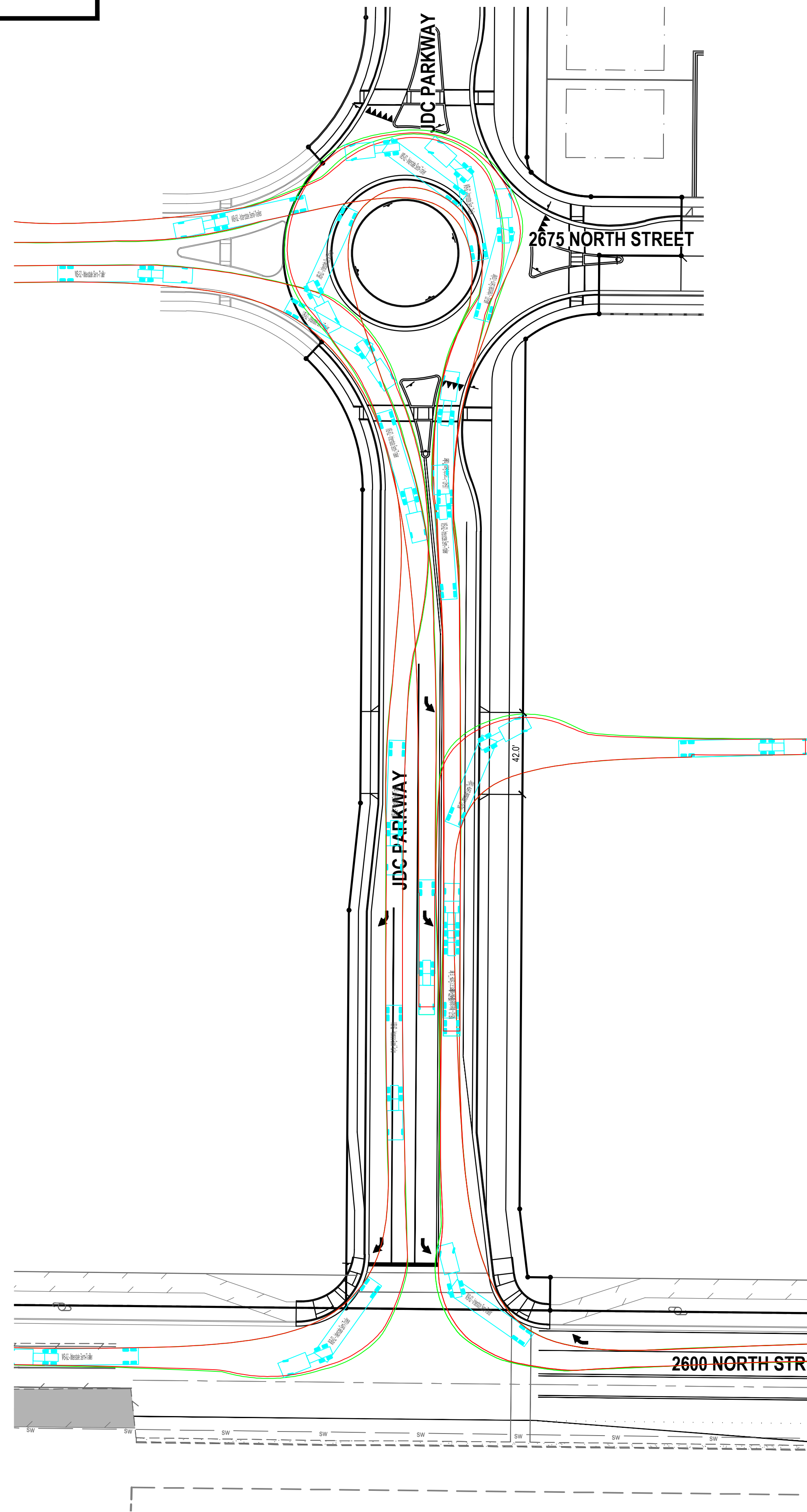


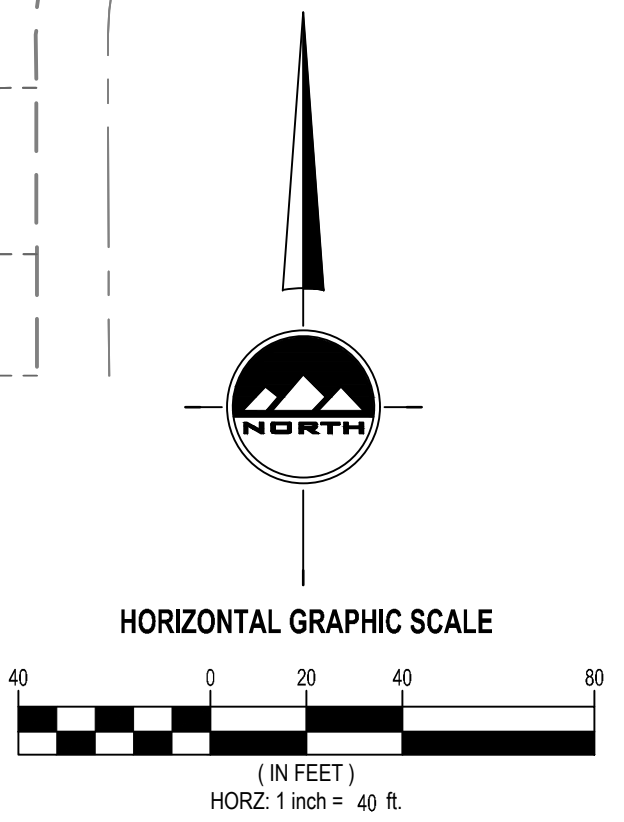
811
Know what's below.
Call before you dig.

BENCHMARK
NORTHWEST CORNER OF SECTION 27
TOWNSHIP 7 NORTH, RANGE 2 WEST
SALT LAKE BASE AND MERIDIAN
ELEV = 4231.00'



WB-62 - Interstate Semi-Trailer

Overall Length	69.00ft
Overall Width	8.50ft
Overall Body Height	13.50ft
Min Body Ground Clearance	1.334ft
Max Track Width	8.50ft
Lock-to-lock time	6.00s
Max Steering Angle (Virtual)	28.40°



ENSIGN
THE STANDARD IN ENGINEERING

LAYTON
919 North 400 West
Layton, UT 84041
Phone: 801.547.1100

SANDY
Phone: 801.255.0529

TOOELE
Phone: 435.843.3590

CEDAR CITY
Phone: 435.865.1453

RICHFIELD
Phone: 435.896.2983

WWW.ENSIGNENG.COM

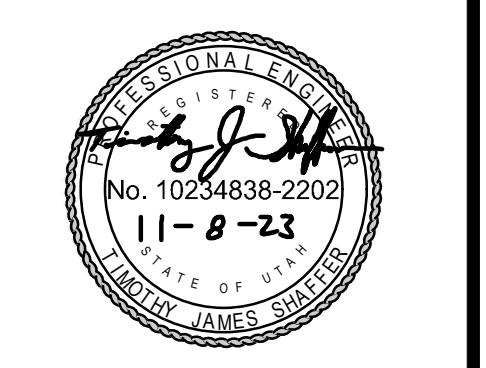
FOR:
NILSON HOMES
1740 COMBE RD, SUITE 2
SOUTH OGDEN, UT 84403

CONTACT:
STEVE ANDERSON
PHONE: 801.392.8100

JDC PARKWAY

2800 WEST 2600 NORTH STREET

WEBER COUNTY, UTAH



NO. DATE REVISION FOR REVIEW

**WB-62 SEMI TRUCK
VEHICLE TRACKING
EXHIBIT**

PROJECT NUMBER 9872
PROJECT MANAGER CP

PRINT DATE 2023-11-08
DESIGNED BY TS

EX-2