

WASHINGTON HEIGHTS CHURCH

CONSTRUCTION DOCUMENTS OGDEN, WEBER COUNTY, UTAH

TRAFFIC CONTROL & SAFETY NOTES

1. BARRICADING AND DETOURING SHALL BE IN CONFORMANCE WITH THE REQUIREMENTS OF THE CURRENT STATE OF UTAH DEPARTMENT OF TRANSPORTATION MANUAL OF TRAFFIC CONTROLS FOR CONSTRUCTION AND MAINTENANCE WORK ZONES, AND THE WEBER STANDARD DRAWING, AND SHALL BE APPROVED BY THE WEBER COUNTY ENGINEER PRIOR TO ANY WORK. COUNTY
2. NO STREET SHALL BE CLOSED TO TRAFFIC WITHOUT WRITTEN PERMISSION FROM THE WEBER COUNTY TRAFFIC ENGINEER, EXCEPT WHEN DIRECTED BY LAW ENFORCEMENT OR FIRE OFFICIALS.
3. THE CONTRACTOR SHALL MAKE EVERY EFFORT TO PROVIDE FOR SMOOTH TRAFFIC FLOW AND SAFETY. ACCESS SHALL BE MAINTAINED FOR ALL PROPERTIES ADJACENT TO THE WORK.
4. DETOURING OPERATIONS FOR A PERIOD OF SIX CONSECUTIVE CALENDAR DAYS, OR MORE, REQUIRE THE INSTALLATION OF TEMPORARY STREET STRIPING AND REMOVAL OF INTERFERING STRIPING BY SANDBLASTING. THE DETOURING STRIPING PLAN OR CONSTRUCTION TRAFFIC CONTROL PLAN MUST BE SUBMITTED TO THE WEBER COUNTY TRAFFIC ENGINEER FOR REVIEW AND APPROVAL.
5. ALL TRAFFIC CONTROL DEVICES SHALL BE RESTORED TO THEIR ORIGINAL CONDITION AT THE END OF THE WORK TO THE SATISFACTION OF THE WEBER COUNTY TRAFFIC ENGINEER
6. TRAFFIC CONTROL DEVICES (TCDs) SHALL REMAIN VISIBLE AND OPERATIONAL AT ALL TIMES.

UTILITY DISCLAIMER

THE CONTRACTOR IS SPECIFICALLY CAUTIONED THAT EXISTING UNDERGROUND UTILITIES AND IMPROVEMENTS ARE SHOWN IN THEIR APPROXIMATE LOCATIONS BASED UPON RECORD INFORMATION AVAILABLE AT THE TIME OF PREPARATION OF PLANS. LOCATIONS MAY NOT HAVE BEEN VERIFIED IN THE FIELD AND NO GUARANTEE IS MADE AS TO ACCURACY OR COMPLETENESS OF THE INFORMATION SHOWN. IT SHALL BE RESPONSIBILITY OF THE CONTRACTOR TO DETERMINE THE EXISTENCE AND LOCATION OF THOSE UTILITIES SHOWN ON THESE PLANS OR INDICATED IN THE FIELD BY LOCATING SERVICES. ANY ADDITIONAL COSTS INCURRED AS A RESULT OF CONTRACTOR'S FAILURE TO VERIFY LOCATIONS OF EXISTING UTILITIES PRIOR TO BEGINNING OF CONSTRUCTION IN THEIR VICINITY SHALL BE BORNE BY THE CONTRACTOR AND ASSUMED INCLUDED IN THE CONTRACT.

NOTICE TO CONTRACTOR

ALL CONTRACTORS AND SUBCONTRACTORS PERFORMING WORK SHOWN ON OR RELATED TO THESE PLANS SHALL CONDUCT THEIR OPERATIONS SO THAT ALL EMPLOYEES ARE PROVIDED A SAFE PLACE TO WORK AND THE PUBLIC IS PROTECTED. ALL CONTRACTORS AND SUBCONTRACTORS SHALL COMPLY WITH THE OCCUPATIONAL SAFETY AND HEALTH REGULATIONS OF THE U.S. DEPARTMENT OF LABOR AND THE STATE OF UTAH DEPARTMENT OF INDUSTRIAL RELATIONS CONSTRUCTION SAFETY ORDERS. THE CIVIL ENGINEER SHALL NOT BE RESPONSIBLE IN ANY WAY FOR CONTRACTORS AND SUBCONTRACTORS COMPLIANCE WITH SAID REGULATIONS AND ORDERS.

CONTRACTOR FURTHER AGREES THAT HE SHALL ASSUME SOLE AND COMPLETE RESPONSIBILITY FOR JOB-SITE CONDITIONS DURING THE COURSE OF CONSTRUCTION OF THIS PROJECT, INCLUDING SAFETY OF ALL PERSONS AND PROPERTY, THAT THIS REQUIREMENT SHALL APPLY CONTINUOUSLY AND NOT BE LIMITED TO NORMAL WORKING HOURS, AND THAT THE CONTRACTOR SHALL DEFEND, INDEMNIFY AND HOLD THE OWNER AND THE CIVIL ENGINEER HARMLESS FROM ANY AND ALL LIABILITY, REAL OR ALLEGED IN CONNECTION WITH THE PERFORMANCE OF WORK ON THIS PROJECT, EXCEPTING FOR LIABILITY ARISING FROM THE SOLE NEGLIGENCE OF THE OWNER OR ENGINEER.

SANITARY SEWER GENERAL NOTES

1. ALL SANITARY SEWER CONSTRUCTION SHALL BE IN CONFORMANCE WITH WEBER COUNTY STANDARDS AND SPECIFICATIONS.
2. ALL GRAVITY SANITARY SEWER LINES SHALL BE SDR-35 PVC MATERIAL. SEWER LINE CONSTRUCTION AND MATERIALS SHALL CONFORM TO ASTM STANDARDS AND SPECIFICATIONS.
3. DISTANCES SHOWN ON PLANS ARE APPROXIMATE AND COULD VARY DUE TO VERTICAL ALIGNMENT.
4. RIM ELEVATIONS SHOWN ARE APPROXIMATE ONLY AND ARE NOT TO BE TAKEN AS FINAL ELEVATION. PIPELINE CONTRACTOR SHALL USE PRECAST CONCRETE ADJUSTMENT RINGS, GROUT AND STEEL SHIMS TO ADJUST THE MANHOLE FRAME TO THE REQUIRED FINAL GRADE IN CONFORMANCE WITH THE STANDARD SPECIFICATIONS. ALL FRAMES SHALL BE ADJUSTED TO FINAL GRADE.
5. ALL SANITARY SEWER MAIN TESTING SHALL BE IN ACCORDANCE WITH WEBER COUNTY STANDARDS AND SPECIFICATIONS. COPIES OF ALL TEST RESULTS SHALL BE PROVIDED TO THE PUBLIC WORKS SANITARY SEWER DEPARTMENT HEAD PRIOR TO FINAL ACCEPTANCE.
6. COMPACTION TESTING OF ALL TRENCHES WITH THE PROJECT SITE MUST BE ATTAINED AND RESULTS SUBMITTED TO THE WEBER COUNTY ENGINEER PRIOR TO FINAL ACCEPTANCE.
7. CONTRACTOR IS RESPONSIBLE TO PROTECT ALL EXISTING STRUCTURES AND IMPROVEMENTS DURING INSTALLATION OF SANITARY SEWER LINE.
8. WHERE CONNECTION TO EXISTING UTILITY IS PROPOSED, CONTRACTOR SHALL VERIFY LOCATION AND ELEVATION AND NOTIFY OWNER/ENGINEER IF LOCATION AND ELEVATION OF EXISTING UTILITY VARIES FROM THE DESIGN.
9. CAMERA TESTING AND PRESSURE TESTING PER WEBER COUNTY STANDARD.

SITE DATA

FLOOD INFORMATION:

FEMA MAP ZONE X (PANELS 0441 E AND 0443F)

BENCHMARK INFORMATION

UTAH STATE PLANE COORDINATE SYSTEM, CENTRAL ZONE, NAD 83
ELEVATION DATA NAVD 88
DISTANCES IN US SURVEY FEET (GRID)

GENERAL NOTES

1. ALL MATERIALS, WORKMANSHIP AND CONSTRUCTION OF SITE IMPROVEMENTS SHALL MEET OR EXCEED THE STANDARDS AND SPECIFICATIONS SET FORTH BY THE WEBER COUNTY ENGINEER, PLANNING, CODES AND SPECIFICATIONS AND APPLICABLE STATE AND FEDERAL REGULATIONS. WHERE THERE IS CONFLICT BETWEEN THESE PLANS AND SPECIFICATIONS, OR ANY APPLICABLE STANDARDS, THE HIGHER QUALITY STANDARD SHALL APPLY.
2. THE CONTRACTOR IS SPECIFICALLY CAUTIONED THAT THE LOCATION AND OR ELEVATION OF EXISTING UTILITIES, AS SHOWN ON THESE PLANS IS BASED ON RECORDS OF THE VARIOUS UTILITY COMPANIES AND WHERE POSSIBLE, MEASUREMENTS TAKEN IN THE FIELD. THE INFORMATION IS NOT TO BE RELIED UPON AS BEING EXACT OR COMPLETE. THE CONTRACTOR MUST CALL THE LOCAL UTILITY LOCATION CENTER AT LEAST 48 HOURS BEFORE ANY EXCAVATION TO REQUEST EXACT FIELD LOCATIONS OF THE UTILITIES. PRIOR TO CONSTRUCTION, THE CONTRACTOR SHALL VERIFY PERTINENT LOCATIONS AND ELEVATIONS, ESPECIALLY AT THE CONNECTION POINTS AND AT POTENTIAL UTILITY CONFLICTS. IT SHALL BE THE RESPONSIBILITY OF THE CONTRACTOR TO RELOCATE ALL EXISTING UTILITIES THAT CONFLICT WITH THE PROPOSED IMPROVEMENTS SHOWN ON THESE PLANS.
3. THE CONTRACTOR IS RESPONSIBLE FOR OBTAINING ALL NECESSARY PERMITS FROM ALL APPLICABLE AGENCIES. THE CONTRACTOR SHALL NOTIFY THE DESIGNATED PUBLIC WORKS INSPECTOR AT LEAST 48 HOURS PRIOR TO THE START OF ANY EARTH DISTURBING ACTIVITY, OR CONSTRUCTION ON ANY AND ALL PUBLIC IMPROVEMENTS.
4. THE CONTRACTOR SHALL COORDINATE AND COOPERATE WITH WEBER COUNTY AND ALL UTILITY COMPANIES INVOLVED WITH REGARD TO RELOCATIONS OR ADJUSTMENTS OF EXISTING UTILITIES DURING CONSTRUCTION AND TO ASSURE THAT THE WORK IS ACCOMPLISHED IN A TIMELY FASHION AND WITH A MINIMUM DISRUPTION OF SERVICE.
5. THE CONTRACTOR SHALL HAVE ONE (1) COPY OF APPROVED PLANS, AND ONE (1) COPY OF THE APPROPRIATE STANDARDS AND SPECIFICATIONS AND A COPY OF ANY PERMITS AND EXTENSION AGREEMENTS NEEDED FOR THE JOB, ON SITE AT ALL TIMES.
6. THE CONTRACTOR SHALL BE RESPONSIBLE FOR ALL ASPECTS OF SAFETY INCLUDING BUT NOT LIMITED TO, EXCAVATION, TRENCHING, SHORING, TRAFFIC CONTROL, AND SECURITY.
7. IF DURING THE CONSTRUCTION PROCESS CONDITIONS ARE ENCOUNTERED BY THE CONTRACTOR, HIS SUBCONTRACTORS, OR OTHER AFFECTED PARTIES, WHICH COULD INDICATE A SITUATION THAT IS NOT IDENTIFIED IN THE PLANS OR SPECIFICATIONS, THE CONTRACTOR SHALL CONTACT THE ENGINEER IMMEDIATELY.
8. THE CONTRACTOR IS RESPONSIBLE FOR PROVIDING ALL LABOR AND MATERIALS NECESSARY FOR THE COMPLETION OF THE INTENDED IMPROVEMENTS SHOWN ON THESE DRAWINGS OR DESIGNATED TO BE PROVIDED, INSTALLED, CONSTRUCTED, REMOVED AND RELOCATED UNLESS SPECIFICALLY NOTED OTHERWISE.
9. THE CONTRACTOR SHALL BE RESPONSIBLE FOR KEEPING ROADWAYS FREE AND CLEAR OF ALL CONSTRUCTION DEBRIS AND DIRT TRACKED FROM THE SITE.
10. THE CONTRACTOR SHALL BE RESPONSIBLE FOR RECORDING AS-BUILT DRAWINGS ON A SET OF RECORD DRAWINGS KEPT AT THE CONSTRUCTION SITE, AND AVAILABLE TO THE CITY INSPECTOR AT ALL TIMES.
11. THE CONTRACTOR SHALL SEQUENCE INSTALLATION OF UTILITIES IN SUCH A MANNER AS TO MINIMIZE POTENTIAL UTILITY CONFLICTS. IN GENERAL, STORM SEWER AND SANITARY SEWER SHOULD BE CONSTRUCTED PRIOR TO INSTALLATION OF WATER LINES AND DRY UTILITIES.
12. IT SHALL BE THE RESPONSIBILITY OF THE CONTRACTOR TO COORDINATE ALL UTILITY RELOCATIONS CONSISTENT WITH THE CONTRACTORS SCHEDULE FOR THIS PROJECT, WHETHER SHOWN OR NOT SHOWN AS IT RELATES TO THE CONSTRUCTION ACTIVITIES CONTEMPLATED IN THESE PLANS.

SWPPP GENERAL NOTES

1. CONTRACTOR SHALL OBTAIN ALL NECESSARY PERMITS AS REQUIRED BY WEBER COUNTY AND STATE OF UTAH.
2. ALL STRUCTURAL EROSION MEASURES SHALL BE INSTALLED AS SHOWN ON THE SWPPP PLAN, PRIOR TO ANY OTHER GROUND-DISTURBING ACTIVITY. ALL EROSION CONTROL MEASURES SHALL BE MAINTAINED IN GOOD REPAIR BY THE CONTRACTOR, UNTIL SUCH TIME AS THE ENTIRE DISTURBED AREAS ARE STABILIZED WITH HARD SURFACE OR LANDSCAPING.

STORM SEWER GENERAL NOTES

1. THE CONTRACTOR SHALL BE RESPONSIBLE FOR THE FOLLOWING:
 - A) OBTAIN ALL REQUIRED PERMITS FROM WEBER COUNTY OR REGULATORY AGENCIES, INCLUDING PERMITS TO WORK IN THE RIGHT-OF-WAY.
 - B) RESTORATION OF EXISTING IMPROVEMENTS INCLUDING BUT NOT LIMITED TO FENCES, SOD, LANDSCAPING, PAVEMENT, SPRINKLER SYSTEM.
 - C) VERIFICATION AND PROTECTION OF ALL EXISTING IMPROVEMENTS WITHIN THE LIMITS OF CONSTRUCTION.
 - D) PROVIDING AS-BUILT DRAWINGS TO WEBER COUNTY AND THE ENGINEER.
 - E) ALL PERMITTING, DEVELOPMENT, LOCATION, CONNECTION AND SCHEDULING FOR SUCH.
2. ALL STORM SEWER CONNECTIONS SHALL BE IN CONFORMANCE WITH WEBER COUNTY STANDARDS AND SPECIFICATIONS.
3. RIM ELEVATIONS SHOWN ARE APPROXIMATE ONLY AND ARE NOT TO BE TAKEN AS FINAL ELEVATION. PIPELINE CONTRACTOR SHALL USE PRECAST CONCRETE ADJUSTMENT RINGS, GROUT, AND STEEL SHIMS TO ADJUST THE MANHOLE FRAME TO THE REQUIRED FINAL GRADE IN CONFORMANCE WITH WEBER COUNTY STANDARDS AND SPECIFICATIONS AND PLANS. ALL FRAMES SHALL BE ADJUSTED TO FINAL GRADE PRIOR TO PLACEMENT OF ASPHALT PAVING.
4. COMPACTION OF ALL TRENCHES WITHIN THE PROJECT SITE MUST BE ATTAINED AND COMPACTION RESULTS SUBMITTED TO THE ENGINEER AND WEBER COUNTY PRIOR TO FINAL ACCEPTANCE.
5. ALL STORM DRAIN PIPES IN THE WEBER COUNTY RIGHT-OF-WAY SHALL BE RCP CL III.
6. ALL STORM SEWER MANHOLES IN PAVED AREAS SHALL BE FLUSH WITH THE PAVEMENT AND SHALL HAVE TRAFFIC BEARING LIDS. ALL STORM SEWER LIDS SHALL BE LABELED "STORM DRAIN".
7. WHERE CONNECTION TO EXISTING UTILITY IS PROPOSED, CONTRACTOR SHALL VERIFY LOCATION AND ELEVATION AND NOTIFY OWNER/ENGINEER IF LOCATION AND ELEVATION OF EXISTING UTILITY VARIES FROM THE DESIGN.

GENERAL GRADING NOTES

1. ALL WORK SHALL BE IN ACCORDANCE WITH THE LATEST APWA STANDARDS AND SPECIFICATION FOR PUBLIC WORKS AND WEBER COUNTY STANDARDS. CONTRACTOR SHALL ENSURE POSITIVE DRAINAGE AWAY FROM BUILDING FOUNDATIONS AND ENTRIES. FINISHED GRADE AT FOUNDATION FOR WOOD FRAMED STRUCTURES SHALL BE 8 INCHES BELOW TOP OF FOUNDATION AND DRAINAGE SHALL BE A MINIMUM OF 5% WITHIN 10 FEET FROM THE BUILDING.
2. MAXIMUM SLOPES SHALL BE 3:1 FOR CUT AND FILL UNLESS OTHERWISE NOTED.
3. COMPACTION REQUIREMENTS AND TESTING SHALL BE PERFORMED TO MEET WEBER COUNTY STANDARDS.
4. NO FILL SHALL BE PLACED UNTIL VEGETATION HAS BEEN REMOVED AND SUB-GRADE PREPARED PER THE SOILS REPORT.
5. DUST SHALL BE CONTROLLED BY WATERING OR OTHER APPROVED METHODS.
6. CONTRACTOR SHALL COMPLY WITH STORM WATER POLLUTION PREVENTION PLAN BY INSTALLING BMP'S PRIOR TO COMMENCEMENT OF EXCAVATION ACTIVITIES. CONTACT THE WEBER COUNTY INSPECTOR FOR INSPECTION.
7. ALL RECOMMENDATIONS OF THE GEOTECHNICAL REPORT AND ALL SUBSEQUENT REPORTS, ADDENDUM ETC. SHALL BE CONSIDERED A PART OF THIS GRADING PLAN AND SHALL BE COMPLIED WITH.
8. THE CONTRACTOR SHALL CONTACT BLUE STAKES FOR LOCATION MARKING PRIOR TO COMMENCING EXCAVATION ACTIVITIES.
9. WEBER COUNTY MAY REQUIRE A PRE-CONSTRUCTION MEETING BEFORE A PERMIT IS ISSUED.
10. STREETS ADJACENT TO THE PROJECT SHALL BE CLEAN AT ALL TIMES.
11. CONTRACTOR IS RESPONSIBLE FOR ARRANGING FOR ALL REQUIRED INSPECTIONS.
12. PRIOR TO TAKING WATER FROM A WEBER COUNTY FIRE HYDRANT, THE CONTRACTOR SHALL MAKE ARRANGEMENTS WITH THE WATER UTILITY TO OBTAIN A WATER METER.

CULINARY WATER GENERAL NOTES

1. ALL INSTALLATION AND MATERIALS SHALL CONFORM TO ##### STANDARDS, SPECIFICATIONS AND PLANS.
2. THRUST BLOCKING IS REQUIRED AT ALL BENDS AND FITTINGS. THE RODS SHALL BE USED AT ALL BENDS AND FITTINGS WHERE THRUST BLOCKS DO NOT BEAR AGAINST UNDISTURBED SOIL.
3. ALL WATERLINES AT SEWER CROSSINGS SHALL BE LOCATED ABOVE AND HAVE AN 18-INCH VERTICAL SEPARATION FROM THE SEWER PIPE. IF THIS IS NOT PROVIDED, THE WATERLINE SHALL BE INSTALLED WITH 20 L.F. OF CONCRETE CASING CENTERED OVER THE SEWER PIPE.
4. DISINFECTION TESTS SHALL BE PERFORMED BY THE WATER UTILITY WITH COOPERATION FROM THE CONTRACTOR IN PERFORMING ANY NECESSARY EXCAVATION AND SUBSEQUENT BACKFILLING AT NO COST TO WEBER COUNTY.
5. CHLORINATION OF COMPLETED WATER LINE. THE NEW WATER LINES SHALL BE DISINFECTED BY CHLORINATION. THE CONTRACTOR WILL BE RESPONSIBLE FOR ALL RELATED COSTS AND FEES RELATED TO THE CHLORINATION OF THE COMPLETED WATER LINE. THIS TEST SHALL BE PERFORMED PRIOR TO CONNECTION OF THE NEW WATER LINES TO THE EXISTING WATER SYSTEM. THE CONTRACTOR SHALL NOTIFY ##### AT LEAST 24 HOURS BEFORE THE CHLORINATION IS DESIRED.
6. A MINIMUM HORIZONTAL CLEARANCE OF 10 FEET SHALL BE MAINTAINED FROM SANITARY SEWER MAINS.
7. UNLESS OTHERWISE SPECIFIED, ALL WATERLINES SHALL BE AWWA C900 PVC CLASS 150, PER ASTM D2241.
8. CONTRACTOR SHALL LOCATE VALVES PRIOR TO CONNECTION WITH EXISTING SYSTEM, BUT SHALL NOT OPERATE ANY VALVE WITHOUT PERMISSION FROM #####.
9. ALL WATER MAINS, VALVES, FIRE HYDRANTS, SERVICES AND APPURTENANCES SHALL BE INSTALLED, TESTED, AND APPROVED PRIOR TO PAVING.
10. THERE SHALL BE A WATER SUPPLY TO THE DEVELOPMENT BEFORE ANY WOOD CONSTRUCTION STARTS.
11. ##### REQUIRES THE USE OF CORROSION RESISTANT MATERIALS FOR ALL CULINARY WATER IMPROVEMENTS. SPECIFICALLY, ROMAC BLUE BOLTS OR STAINLESS STEEL BOLTS MUST BE USED ON ALL FITTINGS. FURTHER, ALL METAL FITTINGS SHALL BE POLY WRAPPED.

SHEET INDEX	
COVER SHEET	CE0-01
DEMOLITION PLAN	CE1-01
STORM WATER POLLUTION PREVENTION PLAN (SWPPP)	CE1-02
CIVIL SITE PLAN	CE2-01
SITE GRADING PLAN	CE3-01
DETENTION CALCS	CE3-02
DETENTION EXHIBIT	CE3-03
CIVIL UTILITY PLAN	CE4-01
CIVIL SITE DETAILS	CE5-01
CIVIL SITE DETAILS	CE5-02
CIVIL UTILITY DETAILS	CE5-03
CIVIL UTILITY DETAILS	CE5-04
CIVIL UTILITY DETAILS	CE5-05

Know what's below. 811
Call 811 before you dig.
BLUE STAKES OF UTAH
 UTILITY NOTIFICATION CENTER, INC.
www.bluestakes.org
 1-800-662-4111

ALL IMPROVEMENTS TO CONFORM TO WEBER COUNTY STANDARDS AND SPECIFICATIONS
 CULINARY WATER IMPROVEMENTS TO CONFORM TO THE ##### STANDARDS AND SPECIFICATIONS
 SECONDARY WATER IMPROVEMENTS TO CONFORM TO THE SECONDARY WATER UTILITY'S STANDARDS AND SPECIFICATIONS

GARDNER ENGINEERING
 CIVIL • LAND PLANNING
 MUNICIPAL • LAND SURVEYING
 1880 W 2100S, WEST HAVEN, UT 84405
 P 801.476.0202 F 801.476.0066

MOUNTAIN WEST ARCHITECTURE

PROFESSIONAL STRUCTURAL ENGINEER
 10/3/2023
 No. 4859845
 TYLER M. NIELSON
 LICENSED
 STATE OF UTAH

REV#	DATE	DESCRIPTION

PROJECT: A Sanctuary Expansion for
Washington Heights Church
 1770 E 6200 S
 Ogden, UT, 84405

PROJECT: AC-161

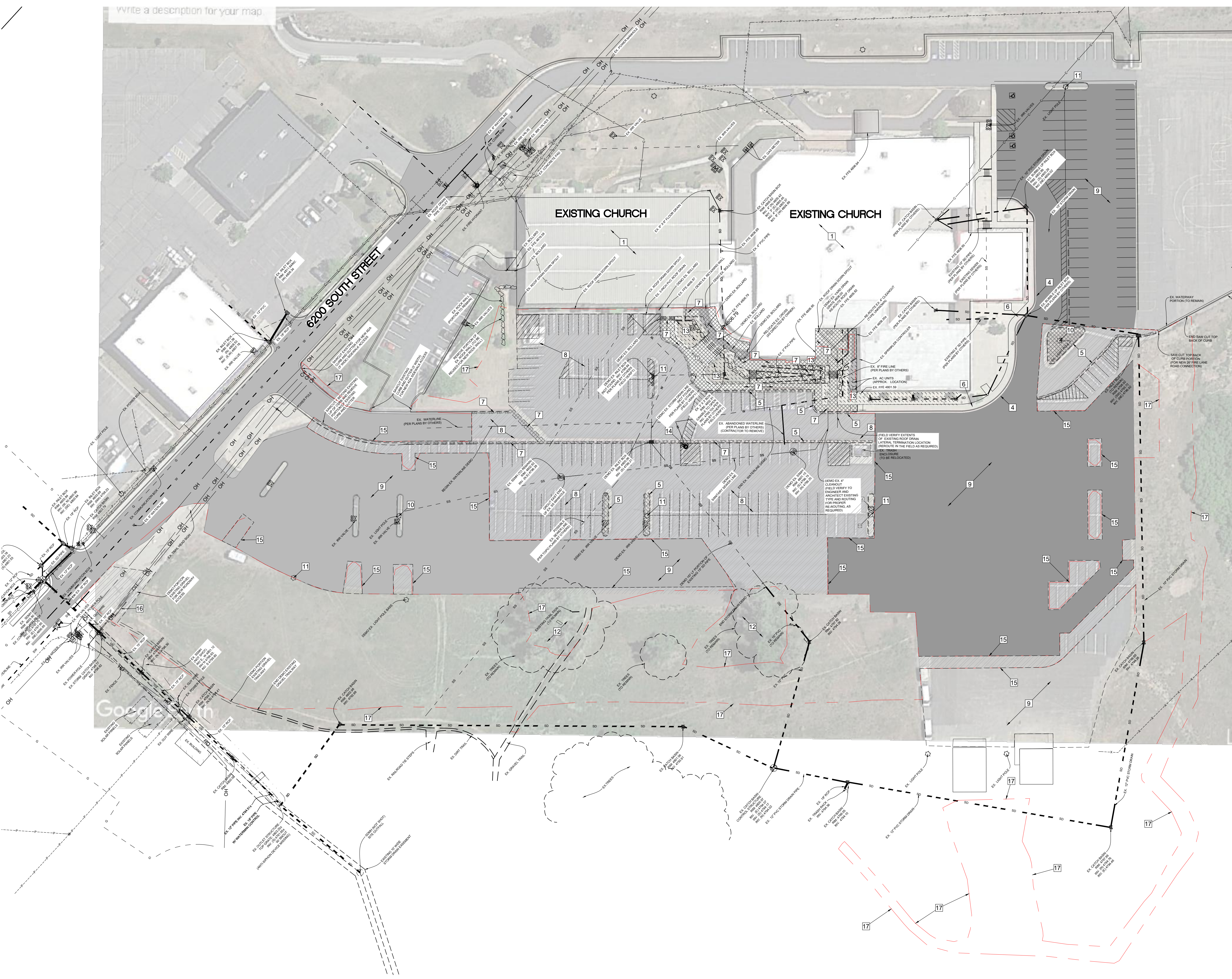
ISSUE DATE: 9/28/2023

COVER SHEET

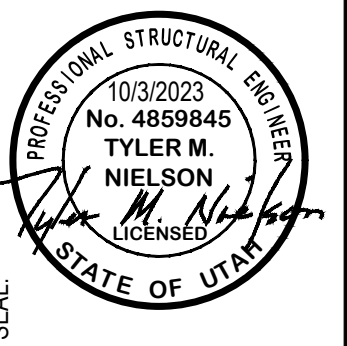
SHEET NUMBER:
CE0-01

DO NOT SCALE DRAWING

Write a description for your map



Know what's below. 811
Call 811 before you dig.
BLUE STAKES OF UTAH
 UTILITY NOTIFICATION CENTER, INC.
 www.bluestakes.org
 1-800-662-4111



- DEMOLITION PLAN KEY NOTES**
- EXISTING BUILDING TO REMAIN
 - EXISTING FENCE TO BE REMOVED
 - EXISTING FENCE TO BE REMAIN
 - EXISTING CURB AND GUTTER TO REMAIN
 - EXISTING CURB OR CURB AND GUTTER TO BE REMOVED
 - EXISTING SIDEWALK TO REMAIN
 - EXISTING SIDEWALK / CONCRETE TO BE REMOVED
 - EXISTING ASPHALT PAVEMENT TO BE REMOVED
 - EXISTING ASPHALT PAVEMENT TO REMAIN
 - EXISTING LIGHT POLE TO REMAIN
 - EXISTING LIGHT POLE TO BE REMOVED
 - EXISTING LANDSCAPE AREA/TREES TO REMAIN
 - EXISTING LANDSCAPE AREA/PLAY FIELD SHALL BE REMOVED. EXISTING SPRINKLERS SHALL BE CAPPED AND EXISTING IRRIGATION BOXES TO BE REMOVED.
 - EXISTING FIRE HYDRANT ASSEMBLY TO BE RELOCATED SAWCUT EXISTING ASPHALT
 - EXISTING SIGN TO BE RELOCATED (SEE CIVIL SITE PLAN)
 - LIMITS OF DISTURBANCE

- DEMOLITION PLAN GENERAL NOTES:**
- EXISTING ASPHALT OR CONCRETE SHALL BE SAWCUT PRIOR TO REMOVAL FOR REMOVAL ADJACENT TO ASPHALT OR CONCRETE THAT WILL REMAIN IN PLACE.
 - ALL UTILITIES THAT WILL REMAIN SHALL BE PROTECTED IN PLACE TO PREVENT DAMAGE OR DEBRIS FROM ENTERING BOXES OR MANHOLES.

LEGEND

- [Cross-hatched pattern] EXISTING SITE IMPROVEMENTS TO BE DEMOLISHED
- [Diagonal line pattern] EXISTING LANDSCAPE / FIELD AREA TO BE DEMOLISHED
- [Horizontal line pattern] EXISTING ASPHALT PAVING TO BE DEMOLISHED

Scale in Feet
 1" = 40'

0' 20' 40' 80' 120'

↑

REV	DATE	DESCRIPTION

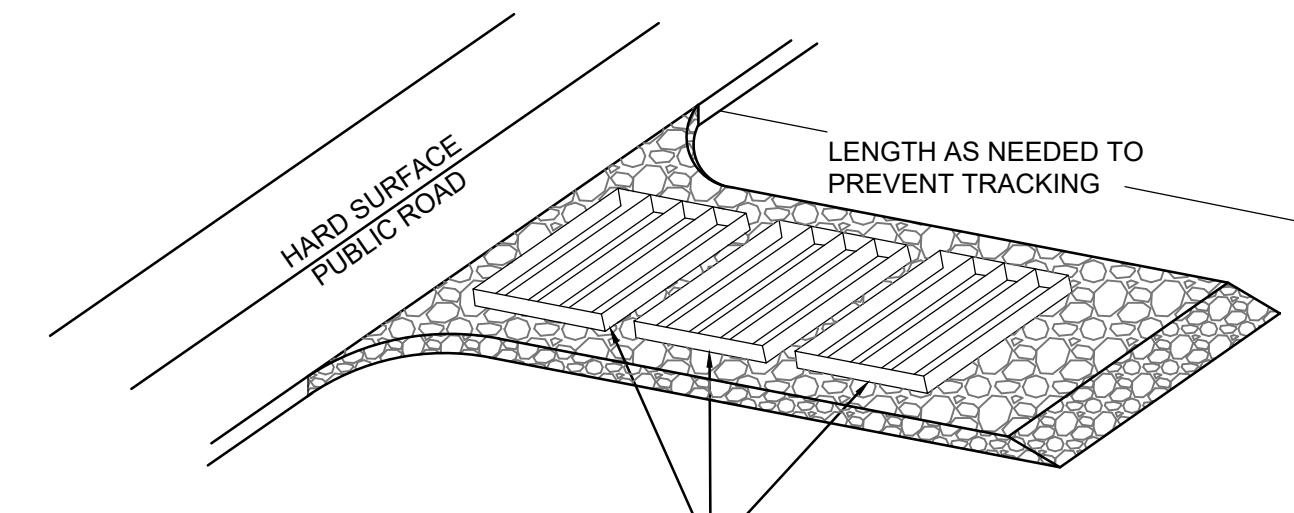
A Sanctuary Expansion for
Washington Heights Church
 1770 E 6200 S
 Ogden, UT, 84405

ISSUE DATE: 9/28/2023
 SHEET TITLE:
DEMOLITION PLAN
 PROJECT: AC-161
 SHEET NUMBER:
CE1-01
 DO NOT SCALE DRAWING

GARDNER ENGINEERING
 CIVIL • LAND PLANNING
 MUNICIPAL • LAND SURVEYING
 1880 W 2100S, WEST HAVEN, UT 84405
 P 801.476.0202 F 801.476.0066

EROSION CONTROL NOTES:

1. SANDBAGS WILL BE PLACED AT DISCHARGE LOCATIONS TO CONTAIN AND DIVERT STORM WATER THROUGH THE INLET PROTECTION.
2. AN EARTHEN BERM 6" HIGH WILL BE CONSTRUCTED TO CONTAIN THE STORM WATER AND DIVERT IT TO DISCHARGE AREAS.
3. STORM WATER WILL BE DISCHARGED INTO AN EXISTING DRAINAGE SYSTEM. EXISTING LINES SHALL BE INSPECTED PRIOR TO CERTIFICATE OF OCCUPANCY AND CLEANED IF NECESSARY.
4. THE STORM WATER POLLUTION PREVENTION PLAN SHALL CONFORM TO ALL STATE DIVISION OF ENVIRONMENTAL PROTECTION REGULATIONS.



A SERIES OF STEEL PLATES (3 OR MORE) WITH RUMBLE STRIPS OR MIN. 3" COARSE AGGREGATE.

ENTRANCE STABILIZATION NOTES:

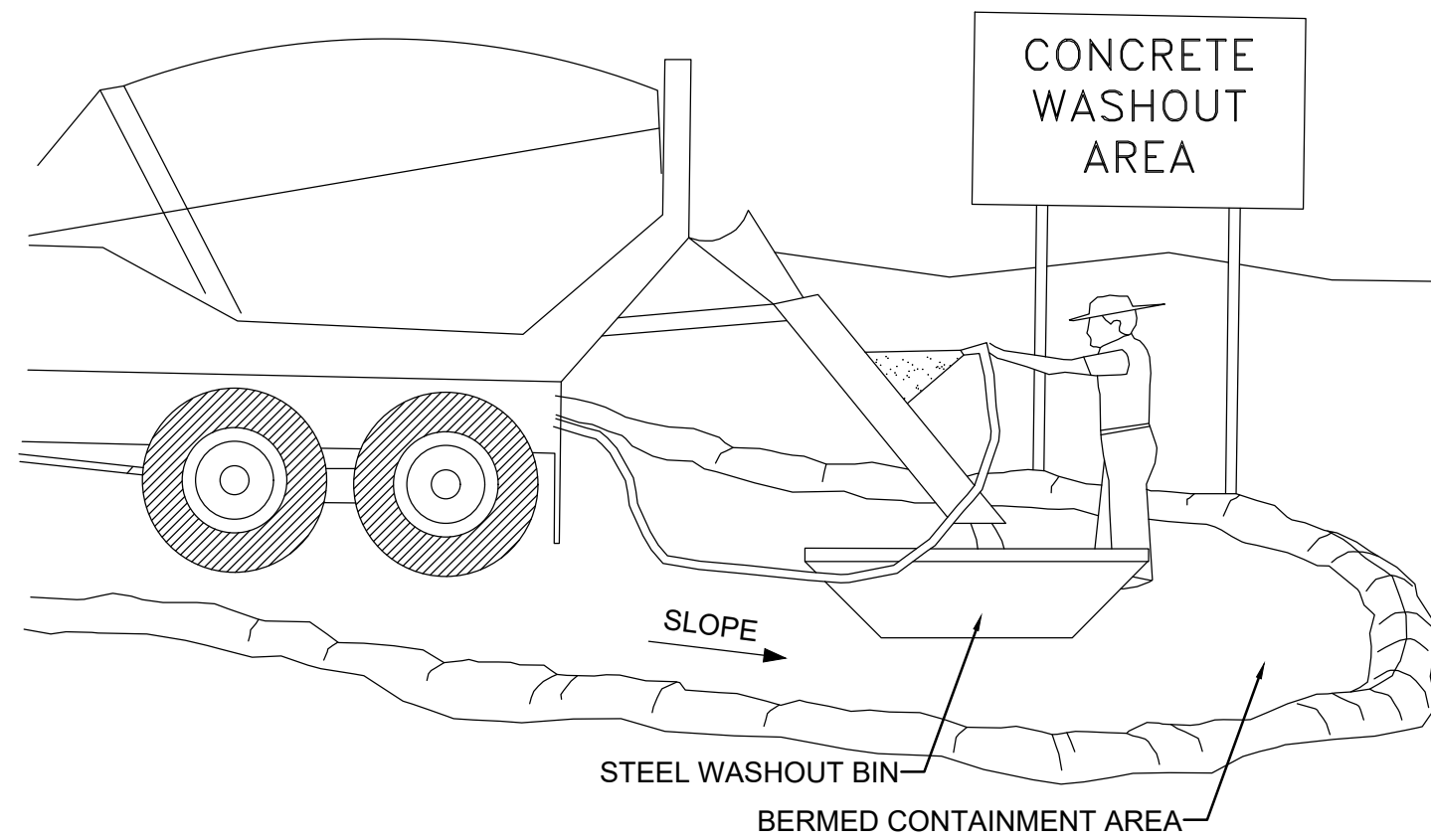
1. SEDIMENTS AND OTHER MATERIALS SHALL NOT BE TRACKED FROM THE SITE BY VEHICLE TRAFFIC. THE CONSTRUCTION ENTRANCE ROADWAYS SHALL BE STABILIZED SO AS TO PREVENT SEDIMENTS FROM BEING DEPOSITED INTO THE STORM DRAIN SYSTEMS. DEPOSITIONS MUST BE SWEEPED UP IMMEDIATELY AND MAY NOT BE WASHED DOWN BY RAIN OR OTHER MEANS INTO THE STORM DRAIN SYSTEM.
2. STABILIZED CONSTRUCTION ENTRANCE SHALL BE:
 - a. LOCATED AT ANY POINT WHERE TRAFFIC WILL BE ENTERING OR LEAVING A CONSTRUCTION SITE TO OR FROM A PUBLIC RIGHT-OF-WAY, STREET, ALLEY AND SIDEWALK OR PARKING AREA.
 - b. A SERIES OF STEEL PLATES WITH "RUMBLE STRIPS", AND/OR MIN. 3" COARSE AGGREGATE WITH LENGTH, WIDTH AND THICKNESS AS NEEDED TO ADEQUATELY PREVENT ANY TRACKING ONTO PAVED SURFACES.
3. ADDING A WASH RACK WITH A SEDIMENT TRAP LARGE ENOUGH TO COLLECT ALL WASH WATER CAN GREATLY IMPROVE EFFICIENCY.
4. ALL VEHICLES ACCESSING THE CONSTRUCTION SITE SHALL UTILIZE THE STABILIZED CONSTRUCTION ENTRANCE SITES.

STREET MAINTENANCE NOTES:

1. REMOVE ALL SEDIMENT DEPOSITED ON PAVED ROADWAYS IMMEDIATELY.
2. SWEEP PAVED AREAS THAT RECEIVE CONSTRUCTION TRAFFIC WHENEVER SEDIMENT BECOMES VISIBLE.
3. PAVEMENT WASHING WITH WATER IS PROHIBITED IF IT RESULTS IN A DISCHARGE TO THE STORM DRAIN SYSTEM.

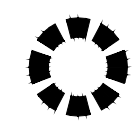
NOTE:

CONTRACTOR SHALL COMPLETE AND SUBMIT A STATE NOTICE OF INTENT (NOI) AND A STORM WATER POLLUTION PREVENTION PLAN BOOKLET



NOTES:

1. EXCESS AND WASTE CONCRETE SHALL BE DISPOSED OF OFF SITE OR AT DESIGNATED AREAS ONLY.
2. EXCESS AND WASTE CONCRETE SHALL NOT BE WASHED INTO THE STREET OR INTO A DRAINAGE SYSTEM.
3. FOR WASHOUT OF CONCRETE AND MORTAR PRODUCTS ONSITE, A DESIGNATED CONTAINMENT FACILITY OF SUFFICIENT CAPACITY TO RETAIN LIQUID AND SOLID WASTE SHALL BE PROVIDED.
4. ONSITE CONCRETE WASHOUT CONTAINMENT FACILITY SHALL BE A STEEL BIN OR APPROVED ALTERNATE.
5. SLURRY FROM CONCRETE AND ASPHALT SAW CUTTING SHALL BE VACUUMED OR CONTAINED, DRIED, PICKED UP AND DISPOSED OF PROPERLY.



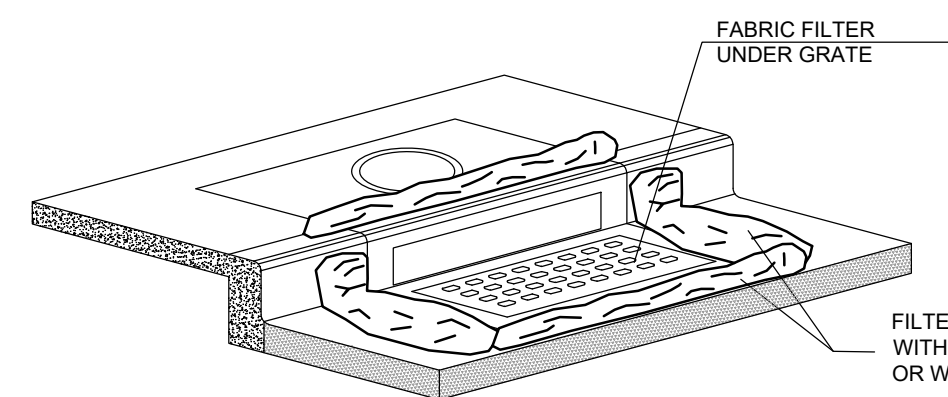
INLET PROTECTION (EITHER OPTION)



SILT FENCE

1A INLET PROTECTION - OPTION 1

Scale: NTS

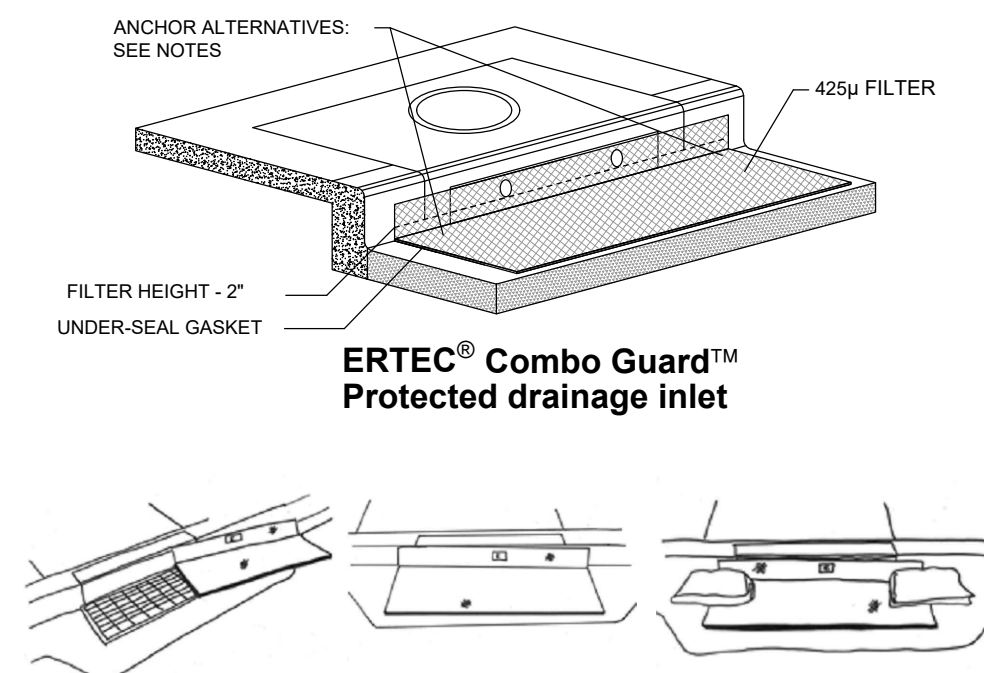


1B INLET PROTECTION - OPTION 2

Scale: NTS

INSTALLATION NOTES

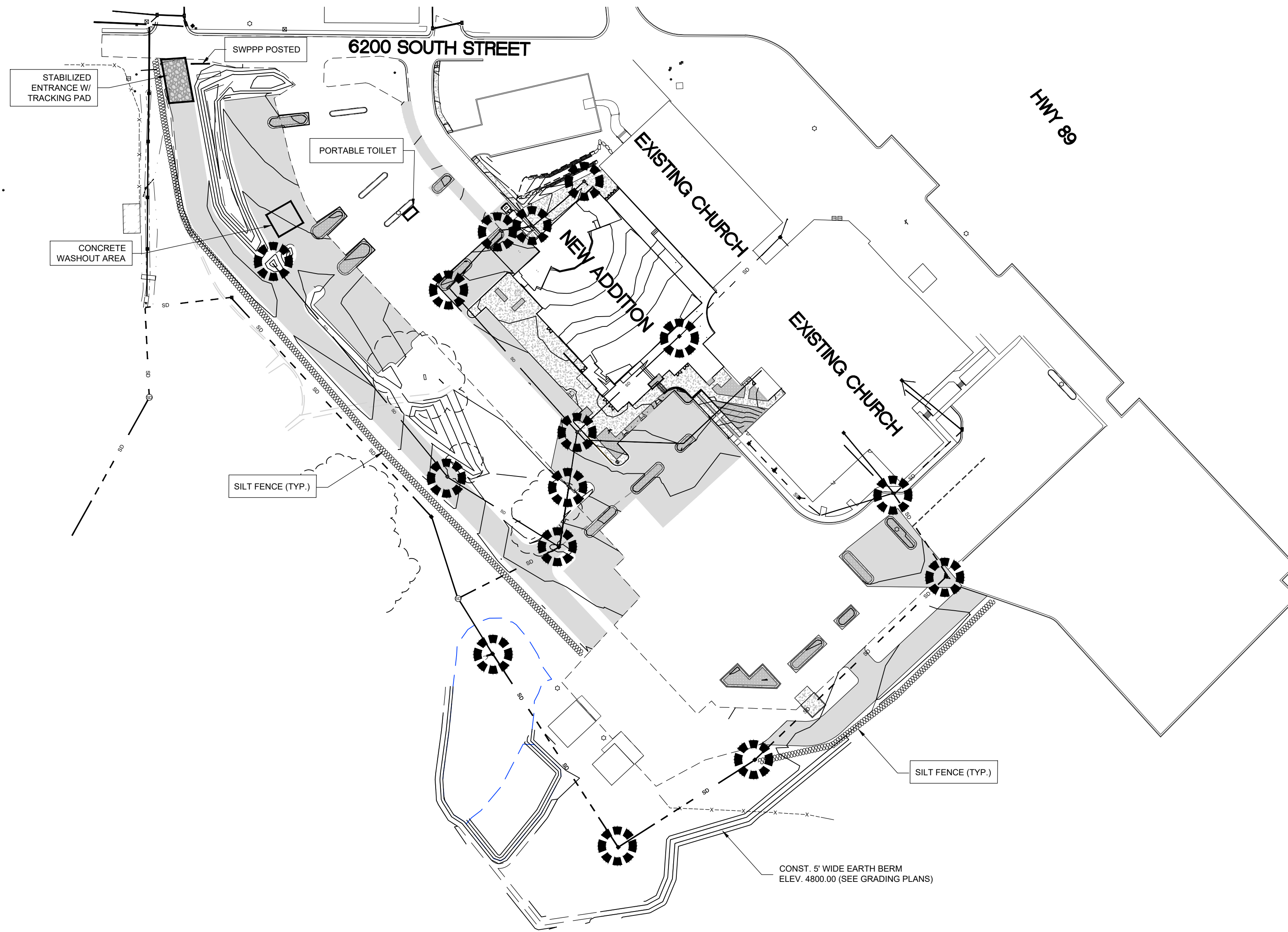
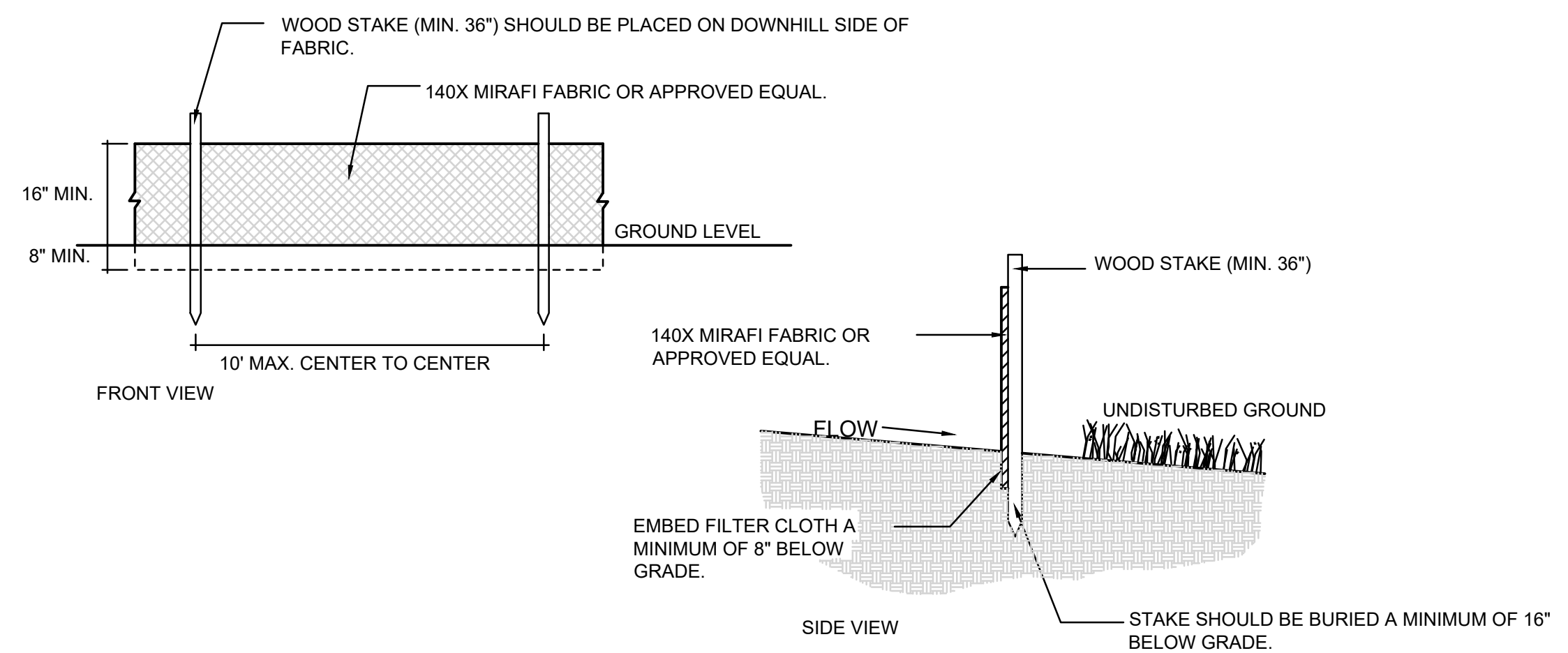
1. PLACEMENT: PLACE CG TIGHTLY AGAINST CURB OPENING AND COVER ENTIRE GRATE. CG SHOULD EXTEND AT LEAST 2 INCHES PAST GRATE TOWARDS STREET.
2. OVERLAP FOR LONG OPENINGS: OVERLAP CG UNITS AT LONGER OPENINGS.
3. ANCHOR: ANCHOR CG SO THAT WATER CANNOT FLOW BEHIND IT.
4. ALTERNATE ANCHOR METHODS: A) INSTALL GRAVEL BAGS AT EACH SIDE OF CG - HALF-ON AND HALF-OFF THE EDGES. USE HALF-FILLED GRAVEL BAGS (15 OR 20 LBS). ROUND ROCK IS RECOMMENDED. OR B) ATTACH WITH 16 GAUGE TIE-WIRE. CUT WIRE TO 18" LENGTH. AT EACH CORNER OF CG, FEED ONE END OF WIRE DOWN THROUGH CG, AROUND GRATE BAR, AND BACK UP THRU CG. ABOVE GROUND, TWIST WIRES SEVERAL TIMES. CUT-OFF EXCESS. OR C) FASTEN WITH CONCRETE ANCHORS/NAILS AT THE OUTSIDE EDGES OF CG.



ERTEC® Combo Guard™ Protected drainage inlet

2 SILT FENCE

Scale: NTS



MOUNTAIN WEST ARCHITECTURE

PROFESSIONAL STRUCTURAL ENGINEER
 10/3/2023
 No. 4859845
 TYLER M. NIELSON
 LICENSED
 STATE OF UTAH

REV.	DATE	DESCRIPTION

PROJECT: A Sanctuary Expansion for
Washington Heights Church
 1770 E 6200 S
 Ogden, UT, 84405

MOUNTAIN WEST ARCHITECTURE | 1542 25TH STREET - OGDEN, UTAH 84401 | PH: 801-388-6052 | www.mountainwestarchitecture.com

ISSUE DATE: 9/28/2023

SHEET TITLE: SWPPP

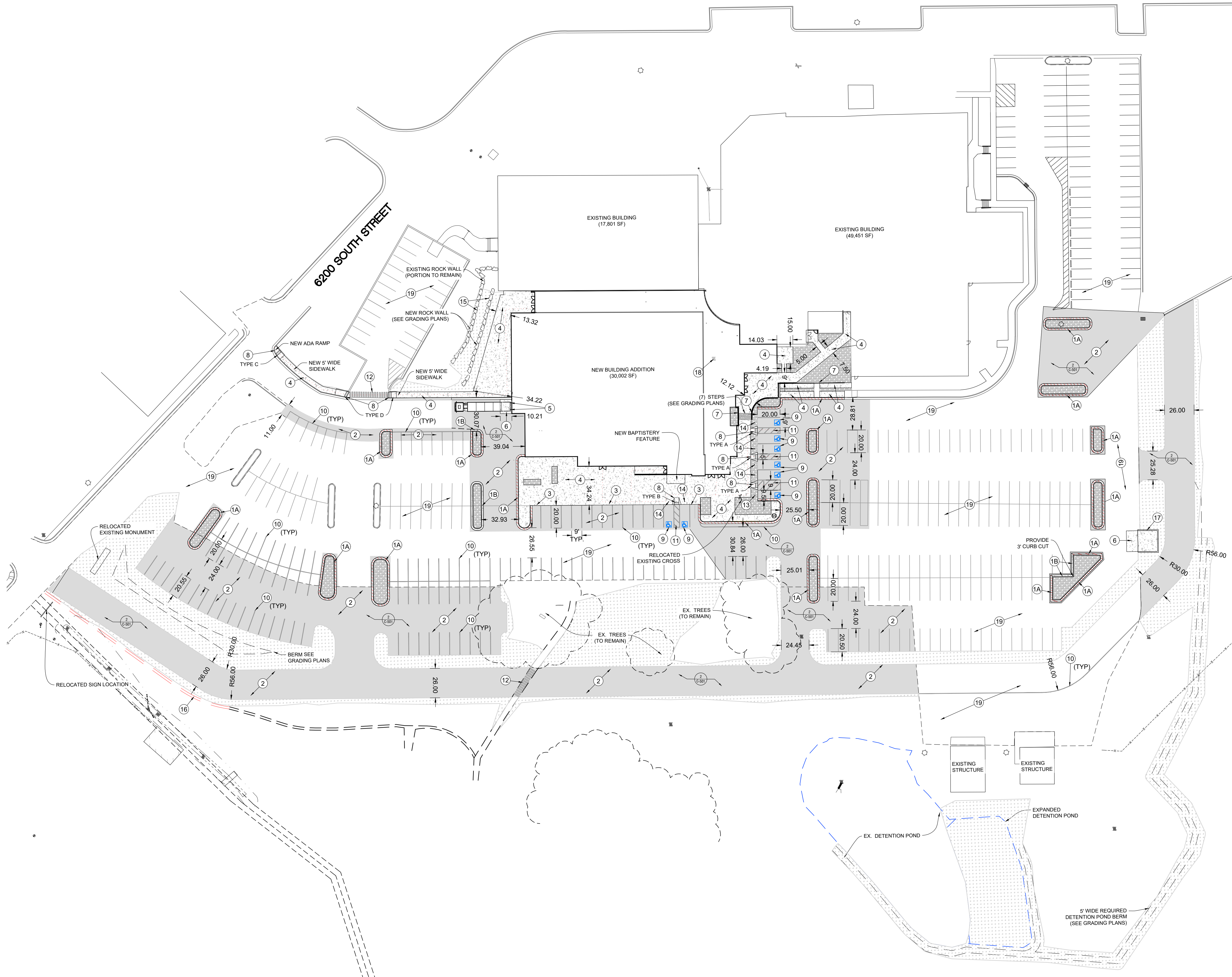
PROJECT: AC-161

SHEET NUMBER: **CE1-02**

DO NOT SCALE DRAWING

DEVELOPER:
 DEVELOPER COMPANY
 DEVELOPER ADDRESS
 DEVELOPER CITY
 DEVELOPER TELEPHONE

GARDNER ENGINEERING
 CIVIL • LAND PLANNING
 MUNICIPAL • LAND SURVEYING
 1880 W 2100S, WEST HAVEN, UT 84405
 P 801.476.0202 F 801.476.0066

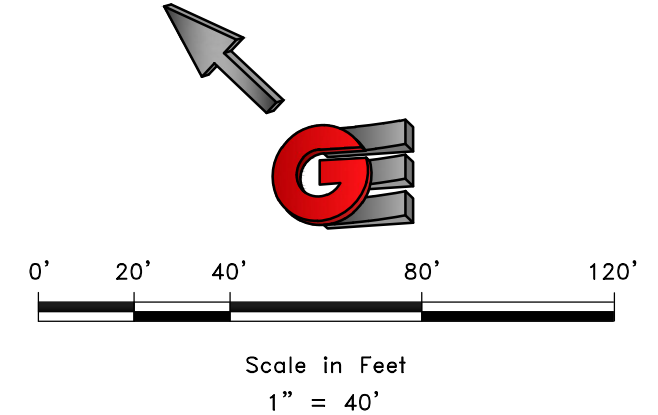


SITE PLAN KEY NOTES

- 1A 24" OPEN FACED CURB AND GUTTER. SEE DETAIL 1A SHEET CE5-01.
- 1B 24" STANDARD (CLOSED) CURB AND GUTTER. SEE DETAIL 1B SHEET CE5-01.
- 2 ASPHALT PAVING - SEE DETAIL SHEET FOR SPECIFIC PAVEMENT SECTION CALLED OUT ON THESE PLANS.
- 3 THICKENED EDGE CONCRETE SIDEWALK. (SEE DETAIL 3 ON SHEET CE5-01)
- 4 TYPICAL CONCRETE SIDEWALK. (SEE DETAIL 4 ON SHEET CE5-01)
- 5 CONCRETE BOLLARD. (SEE DETAIL 5 ON SHEET CE5-01)
- 6 CONCRETE PAVEMENT (SEE DETAIL 6 ON SHEET CE5-01)
- 7 RETAINING WALL (SEE STRUCTURAL PLANS)
- 8 NEW ADA RAMP (SEE DETAIL 7 ON SHEET CE5-01)
- 9 ADA PARKING SYMBOL. (SEE DETAIL 8 ON SHEET CE5-02)
- 10 TYPICAL PARKING STRIPING TO BE 4" WHITE. (SEE DETAIL 9 ON SHEET CE5-02)
- 11 TYPICAL NO PARKING STRIPING (SEE DETAIL 10 ON SHEET CE5-02)
- 12 CROSSWALK STRIPING (SEE DETAIL 11 ON SHEET CE5-02)
- 13 VAN ACCESSIBLE ADA PARKING SIGN (SEE DETAIL 12 ON SHEET CE5-02)
- 14 ADA PARKING SIGN (SEE DETAIL 12 ON SHEET CE5-02)
- 15 ROCK WALL (SEE DETAIL SHEET CE5-02)
- 16 RELOCATED 2' WIDE GRAVEL TRAIL WITH 4" THICK GRAVEL
- 17 DUMPSTER ENCLOSURE. (SEE ARCHITECTURAL PLANS)
- 18 EXISTING UTILITY STRUCTURE (TYPE UNKNOWN. NOTIFY CIVIL ENGINEER AND ARCHITECT OF EXISTING UTILITIES FOR POSSIBLE RE-ROUTING)
- 19 EXISTING ASPHALT (TO REMAIN)

LEGEND
(NOTE: ALL LINES OR SYMBOLS MAY NOT APPEAR ON EACH SHEET)

	BOUNDARY LINE
	STANDARD ASPHALT PAVING
	CONCRETE SIDEWALK
	LANDSCAPE AREA (SEE LANDSCAPE PLANS)
	NEW 24" CURB AND GUTTER
	NEW 24" OPEN FACE CURB AND GUTTER
	ADA ACCESSIBLE ROUTE (SEE GRADING PLANS)
	2' WIDE, 4" THICK GRAVEL TRAIL



MOUNTAIN WEST ARCHITECTURE

PROFESSIONAL STRUCTURAL ENGINEER
10/3/2023
No. 4859845
TYLER M. NIELSON
LICENSED
STATE OF UTAH

REV.	DATE	DESCRIPTION

PROJECT TITLE:
A Sanctuary Expansion for Washington Heights Church
1770 E 6200 S
Ogden, UT, 84405

PROJECT:
MOUNTAIN WEST ARCHITECTURE 1542 25TH STREET - OGDEN, UTAH 84401 | PH: 801-388-6052 | www.mountainwestarchitecture.com

GARDNER ENGINEERING
CIVIL • LAND PLANNING
MUNICIPAL • LAND SURVEYING
1880 W 2100S, WEST HAVEN, UT 84405
P 801.476.0202 F 801.476.0066

ISSUE DATE: 9/28/2023

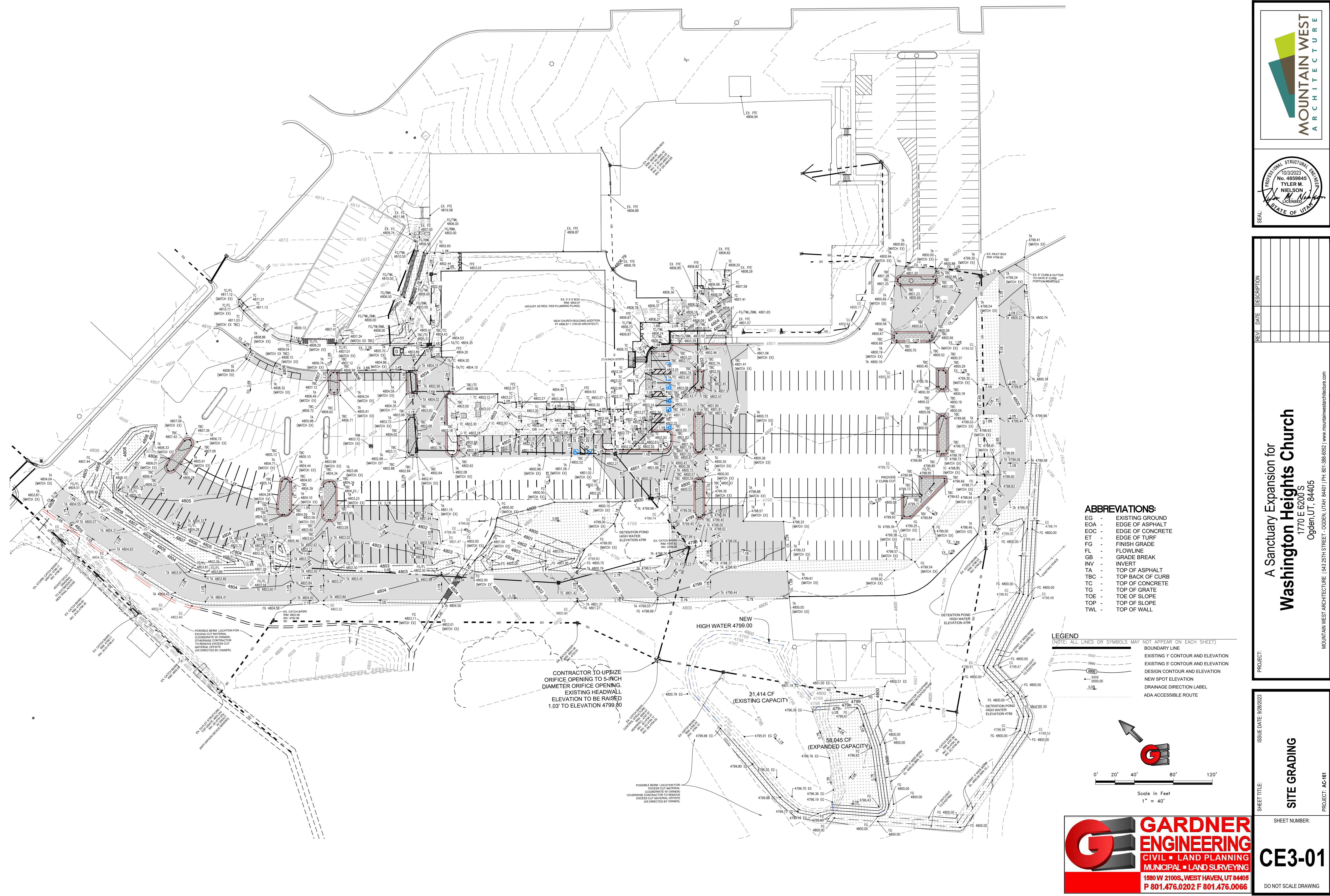
SHEET TITLE:
CIVIL SITE PLAN

PROJECT: AC-161

SHEET NUMBER:
CE2-01

DO NOT SCALE DRAWING

REV	DATE	DESCRIPTION



- ABBREVIATIONS:**
- EG - EXISTING GROUND
 - EOA - EDGE OF ASPHALT
 - EOC - EDGE OF CONCRETE
 - ET - EDGE OF TURF
 - FG - FINISH GRADE
 - FL - FLOWLINE
 - GB - GRADE BREAK
 - INV - INVERT
 - TA - TOP OF ASPHALT
 - TBC - TOP BACK OF CURB
 - TC - TOP OF CONCRETE
 - TG - TOP OF GRATE
 - TOE - TOE OF SLOPE
 - TOP - TOP OF SLOPE
 - TWL - TOP OF WALL

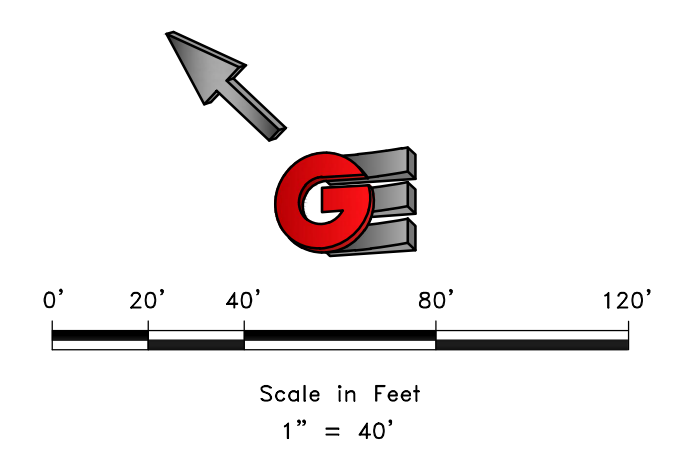
- LEGEND**
 (NOTE: ALL LINES OR SYMBOLS MAY NOT APPEAR ON EACH SHEET)
- BOUNDARY LINE
 - EXISTING 1' CONTOUR AND ELEVATION
 - EXISTING 5' CONTOUR AND ELEVATION
 - DESIGN CONTOUR AND ELEVATION
 - NEW SPOT ELEVATION
 - DRAINAGE DIRECTION LABEL
 - ADA ACCESSIBLE ROUTE

CONTRACTOR TO UPSIZE ORIFICE OPENING TO 5-INCH DIAMETER ORIFICE OPENING. EXISTING HEADWALL ELEVATION TO BE RAISED 1.03' TO ELEVATION 4799.00

NEW HIGH WATER 4799.00

21,416 CF (EXISTING CAPACITY)

58,045 CF (EXPANDED CAPACITY)



A Sanctuary Expansion for
Washington Heights Church
 1770 E 6200 S
 Ogden, UT, 84405

PROJECT: MOUNTAIN WEST ARCHITECTURE 1542 25TH STREET - OGDEN, UTAH 84401 | PH: 801-388-6052 | WWW.MOUNTAINWESTARCHITECTURE.COM

ISSUE DATE: 9/28/2023
SITE GRADING
 SHEET TITLE:
 SHEET NUMBER:
CE3-01

DO NOT SCALE DRAWING

GARDNER ENGINEERING
 CIVIL • LAND PLANNING
 MUNICIPAL • LAND SURVEYING
 1880 W 2100S, WEST HAVEN, UT 84405
 P 801.476.0202 F 801.476.0066

Washington Heights Baptist Church
1170 E 6200 S
Weber County, Utah



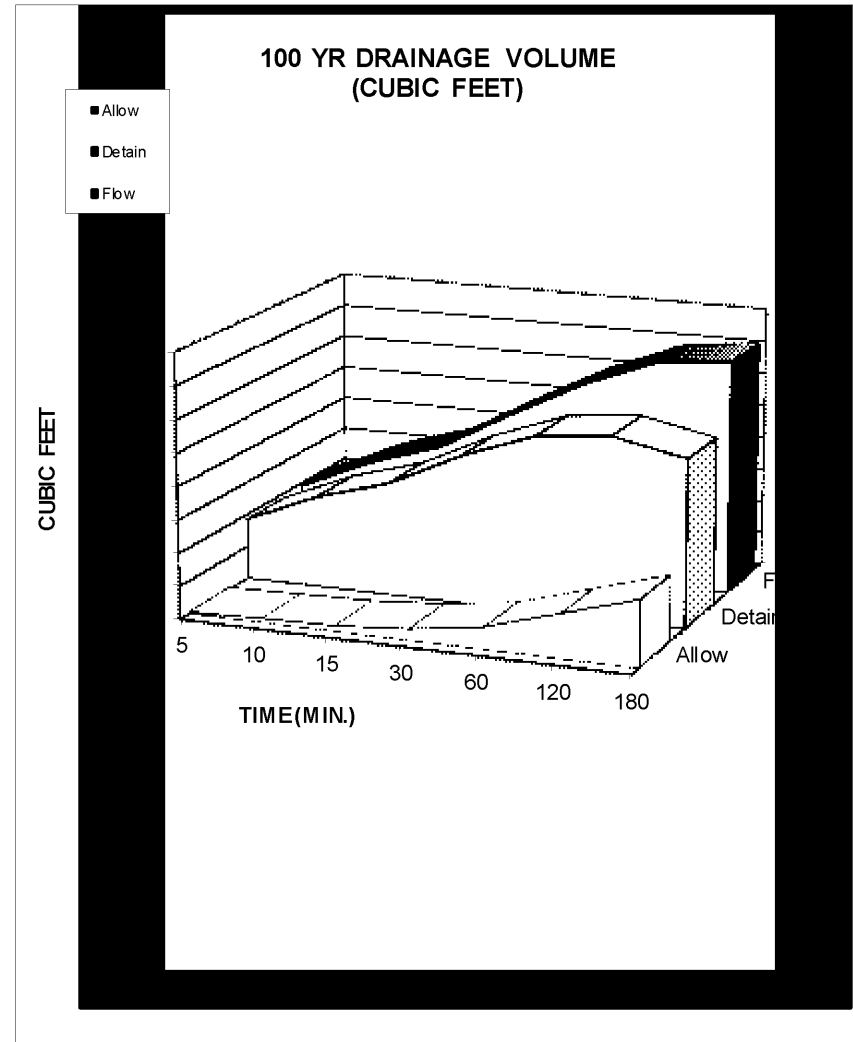
Existing unimproved Areas	Total Site		
	Sq. Ft.	Acre	C
Hard Surface	76,179	1.7488	0.85
Gravel Areas	7,104	0.1631	0.50
Landscape	77,641	1.7824	0.10
Total/Weighted	160,924	3.6943	0.47

Allow Release Rate (cfs/acre)	0.100
Q Allowable (cfs)	0.37
Total Allowed Release	0.37 cfs
Effective Release Rate per Acre	0.10 cfs/Acre

	FEET	YARDS
100 YEAR STORM RECOMMENDED MIN. VOLUME DETAINED	11,045	409

100 yr	Runoff Vol (cf) Allowable	*Inch / Hr i100	Total Vol (cf) 100 YEAR	Detain Vol (cf) Difference
MIN				
5	111	7.25	3,798	3,687
10	222	5.51	5,773	5,552
15	332	4.56	7,167	6,834
30	665	3.07	9,650	8,985
60	1,330	1.9	11,945	10,615
120	2,660	1.09	13,705	11,045
180	3,990	0.75	14,145	10,155
360	7,980	0.418	15,767	7,787
720	15,959	0.259	19,539	3,579
1440	22,028	0.146	22,028	0

NOAA - Atlas 14



Washington Heights Baptist Church
1170 E 6200 S
Weber County, Utah



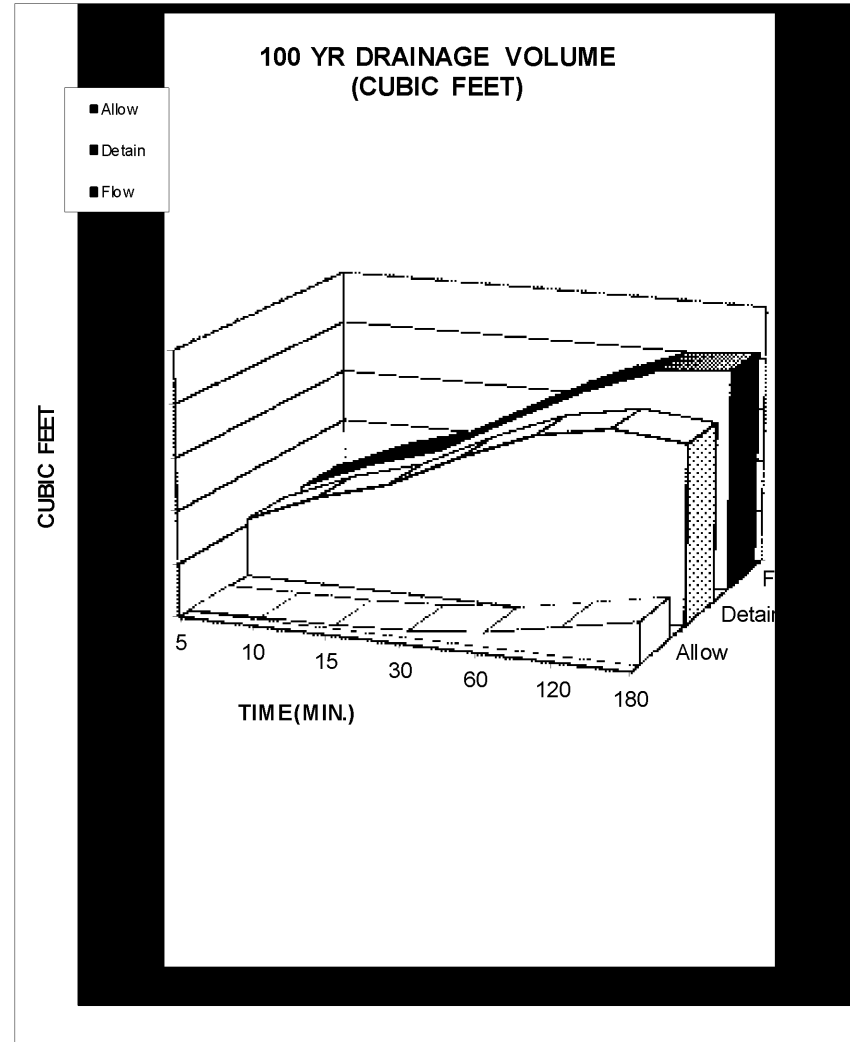
Improved Areas	Total Site		
	Sq. Ft.	Acre	C
Hard Surface	125,866	2.8895	0.85
Gravel Areas	6,885	0.1581	0.50
Landscape	28,173	0.6468	0.10
Total/Weighted	160,924	3.6943	0.70

Allow Release Rate (cfs/acre)	0.100
Q Allowable (cfs)	0.37
Total Allowed Release	0.37 cfs
Effective Release Rate per Acre	0.10 cfs/Acre

	FEET	YARDS
100 YEAR STORM RECOMMENDED MIN. VOLUME DETAINED	17,743	657

100 yr	Runoff Vol (cf) Allowable	*Inch / Hr i100	Total Vol (cf) 100 YEAR	Detain Vol (cf) Difference
MIN				
5	111	7.25	5,654	5,544
10	222	5.51	8,595	8,373
15	332	4.56	10,669	10,337
30	665	3.07	14,366	13,701
60	1,330	1.9	17,782	16,452
120	2,660	1.09	20,403	17,743
180	3,990	0.75	21,058	17,068
360	7,980	0.418	23,473	15,493
720	15,959	0.259	29,088	13,129
1440	31,919	0.146	32,794	876

NOAA - Atlas 14



Pipe Storage (CF) =	287 CF	Pipe Diameter (inches)	15	Pipe Length (feet)	234
Pipe Storage (CF) =	373 CF	Pipe Diameter (inches)	12	Pipe Length (feet)	475
Pipe Storage (CF) =	111 CF	Pipe Diameter (inches)	10	Pipe Length (feet)	203
Pipe Storage (CF) =	84 CF	Pipe Diameter (inches)	8	Pipe Length (feet)	241
Pipe Storage (CF) =	31 CF	Pipe Diameter (inches)	6	Pipe Length (feet)	160
TOTAL PIPE STORAGE (CF)	886 CF				

Provided Parking Lot Surface and Detention Pond Volume =	57,159 CF
Total Provided Detention Storage	= 58,045 CF

Washington Heights Baptist Church
1170 E 6200 S
Weber County, Utah



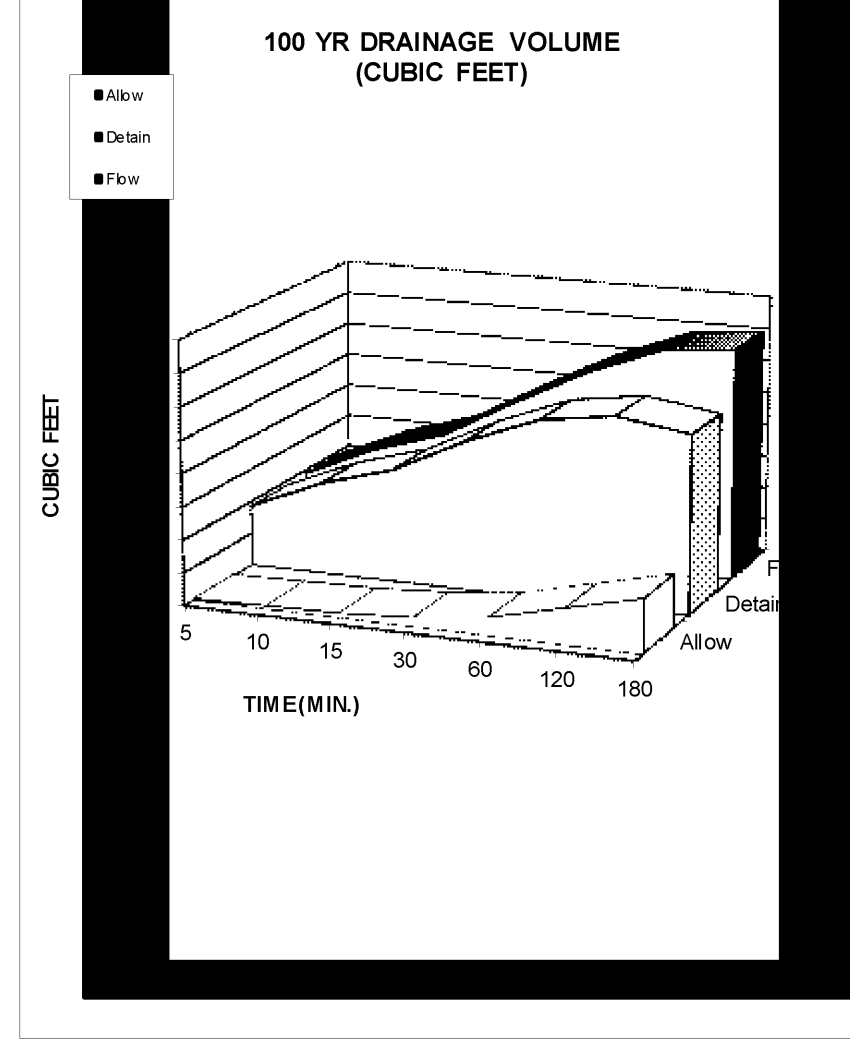
Entire Site	Total Site		
	Sq. Ft.	Acre	C
Improved Areas	413,842	9.5005	0.85
Hard Surface	6,885	0.1581	0.50
Gravel Areas	237,447	5.4510	0.10
Landscape			
Total/Weighted	658,174	15.1095	0.58

63% Allow Release Rate (cfs/acre)	0.100
1% Q Allowable (cfs)	1.51
36% Total Allowed Release	1.51 cfs
Effective Release Rate per Acre	0.10 cfs/Acre

	FEET	YARDS
100 YEAR STORM RECOMMENDED MIN. VOLUME DETAINED	57,395	2,126

100 yr	Runoff Vol (cf) Allowable	*Inch / Hr i100	Total Vol (cf) 100 YEAR	Detain Vol (cf) Difference
MIN				
5	453	7.25	18,921	18,468
10	907	5.51	28,761	27,854
15	1,360	4.56	35,703	34,343
30	2,720	3.07	48,074	45,354
60	5,439	1.9	59,505	54,065
120	10,879	1.09	68,274	57,395
180	16,318	0.75	70,466	54,148
360	32,637	0.418	78,546	45,910
720	65,273	0.259	97,337	32,064
1440	109,739	0.146	109,739	0

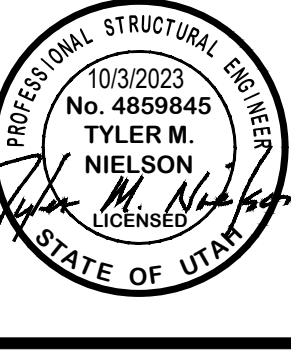
NOAA - Atlas 14



Orifice Calculation

H =	4.69	Maximum water height (ft)
Q =	1.51	Flowrate out of orifice (cfs)
Cc =	0.62	Coefficient of Contraction
Cv =	0.98	Coefficient of Velocity
Area =	0.143	Orifice Area (ft ²)
π =	3.14	
g =	32.17	Gravitational Constant
d =	5.12	Orifice Diameter (in)
d =	5 1/8	Orifice
Provided Detention Volume =	58,045	

UPSIZED ORIFICE AT CONTROL STRUCTURE TO 5-1/8 INCH DIAMETER.



REV	DATE	DESCRIPTION

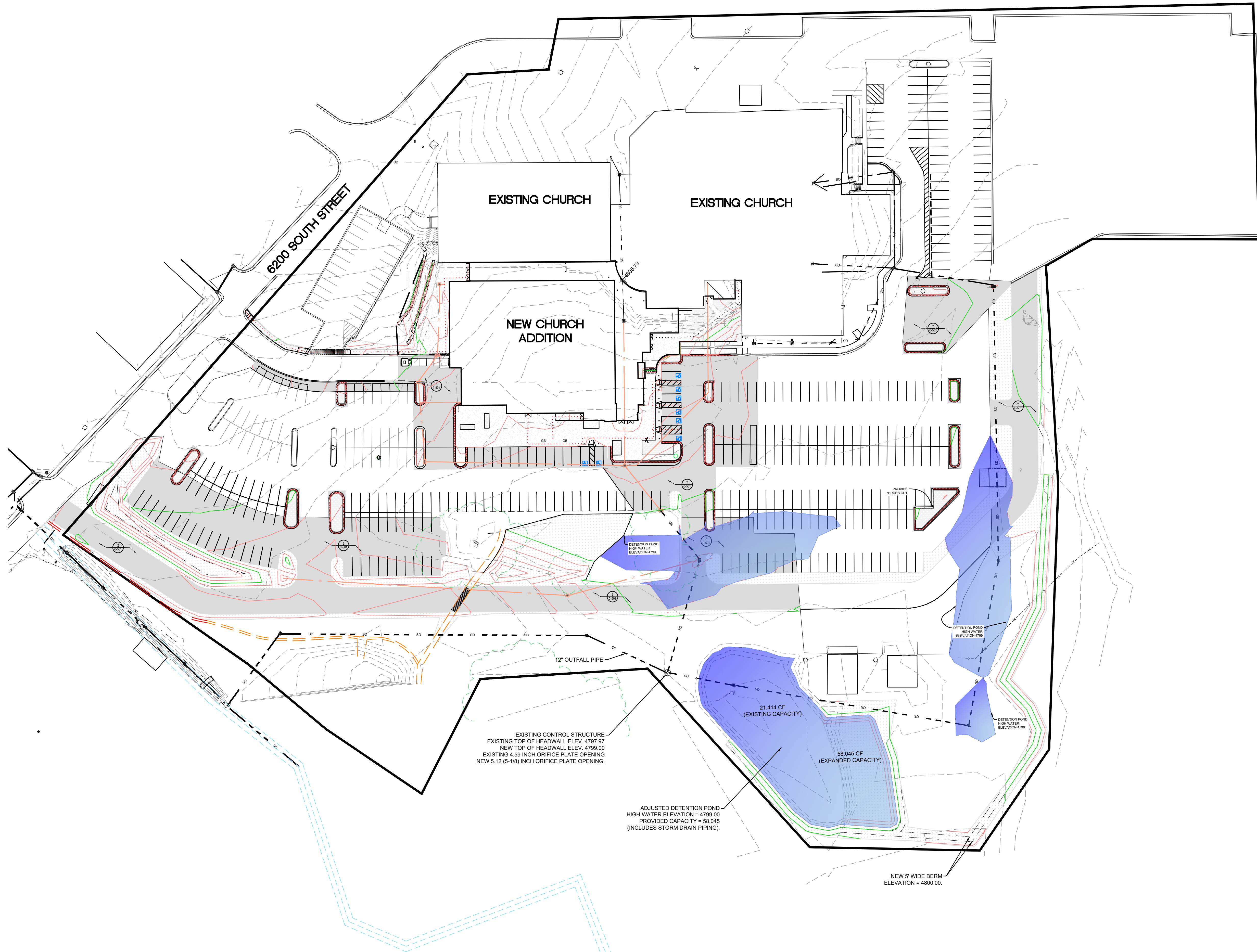
A Sanctuary Expansion for
Washington Heights Church
 1170 E 6200 S
 Ogden, UT, 84405
 PROJECT: MOUNTAIN WEST ARCHITECTURE 1542 25TH STREET - OGDEN, UTAH 84401 | PH: 801-388-6052 | www.mountainwestarchitecture.com

ISSUE DATE: 9/28/2023
 SHEET TITLE: **DETENTION CALCULATIONS**
 PROJECT: AC-161

SHEET NUMBER:
CE3-02
 DO NOT SCALE DRAWING



HIGHWAY 89



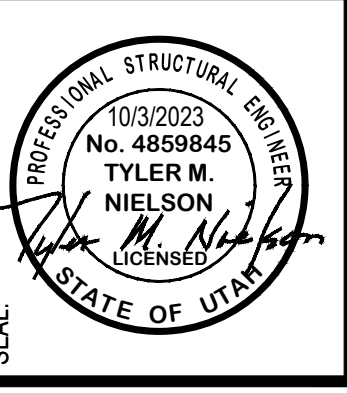
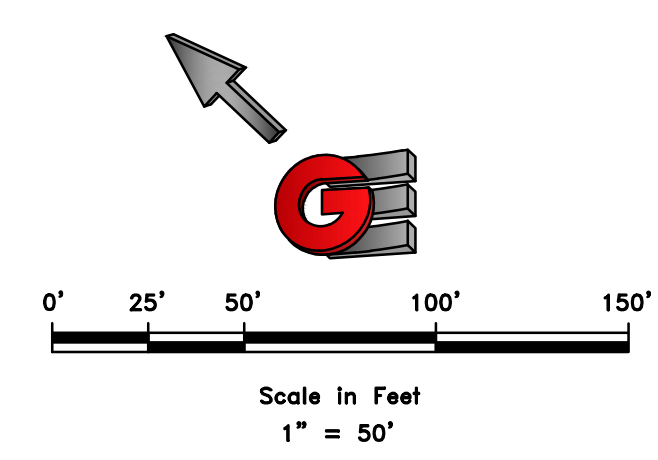
EXISTING CONTROL STRUCTURE
 EXISTING TOP OF HEADWALL ELEV. 4797.97
 NEW TOP OF HEADWALL ELEV. 4799.00
 EXISTING 4.59 INCH ORIFICE PLATE OPENING
 NEW 5.12 (5-1/8) INCH ORIFICE PLATE OPENING.

ADJUSTED DETENTION POND
 HIGH WATER ELEVATION = 4799.00
 PROVIDED CAPACITY = 58,045
 (INCLUDES STORM DRAIN PIPING).

21,414 CF
 (EXISTING CAPACITY)

58,045 CF
 (EXPANDED CAPACITY)

NEW 5' WIDE BERM
 ELEVATION = 4800.00.



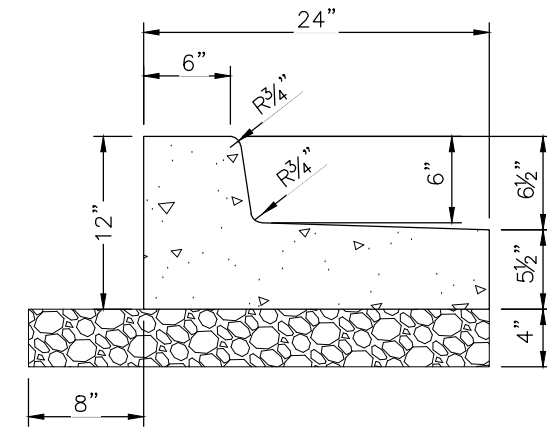
REV.	DATE	DESCRIPTION

PROJECT: A Sanctuary Expansion for
Washington Heights Church
 1770 E 6200 S
 Ogden, UT, 84405

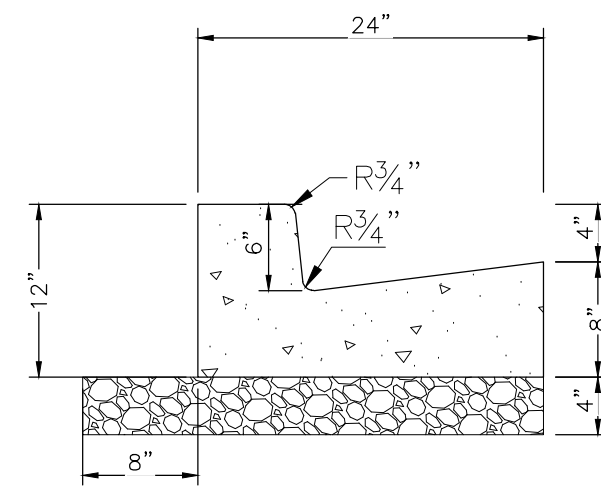
ISSUE DATE: 9/28/2023
 SHEET TITLE: **DRAINAGE EXHIBIT**
 PROJECT: AC-161

GARDNER ENGINEERING
 CIVIL • LAND PLANNING
 MUNICIPAL • LAND SURVEYING
 1880 W 2100S, WEST HAVEN, UT 84405
 P 801.476.0202 F 801.476.0066

SHEET NUMBER:
CE3-03
 DO NOT SCALE DRAWING



1A 24" OPEN FACED CURB AND GUTTER
Scale: (NOT TO SCALE)

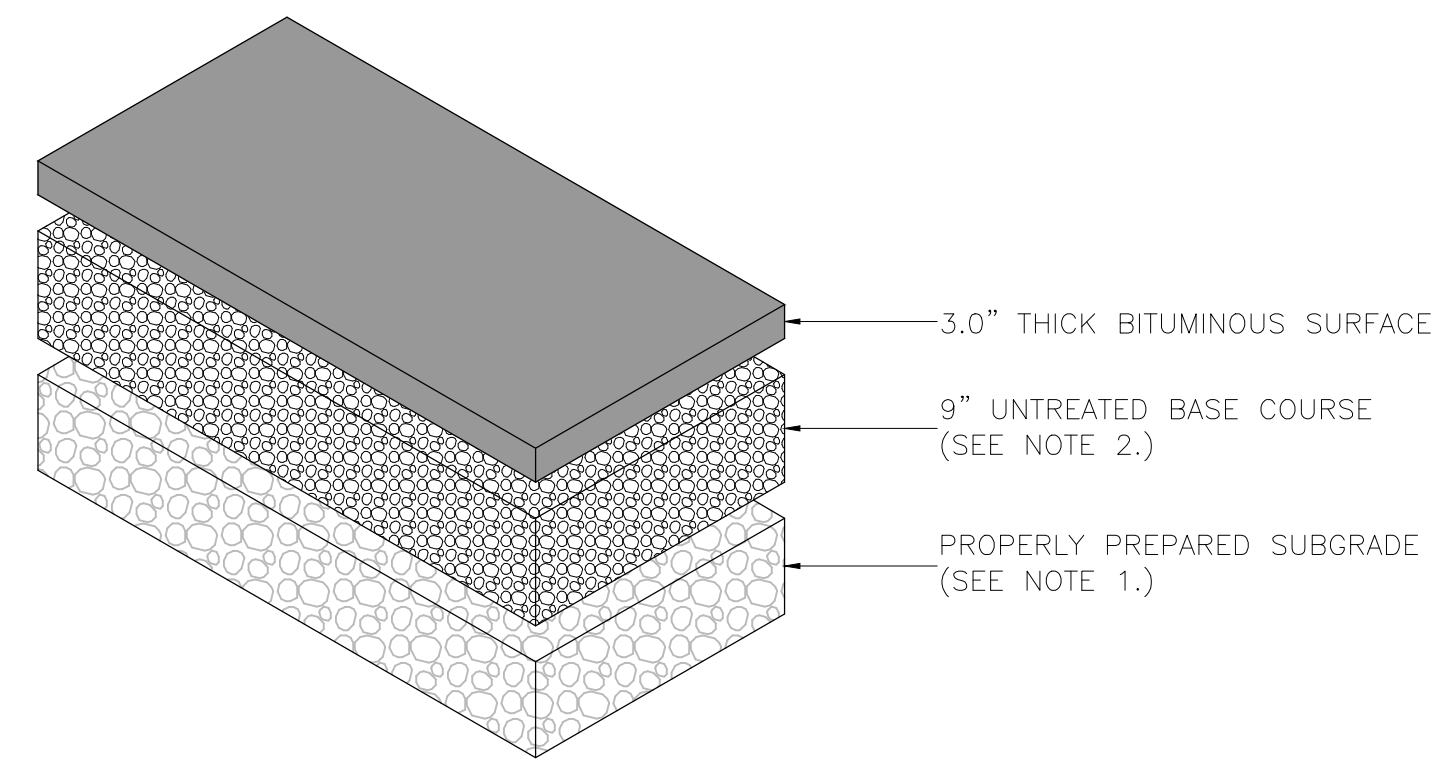


1B 24" STANDARD (CLOSED) CURB AND GUTTER
Scale: (NOT TO SCALE)

CURB AND GUTTER CONSTRUCTION NOTES:

1. OPEN FACE GUTTER SHALL BE CONSTRUCTED WHERE DRAINAGE IS DIRECTED AWAY FROM CURB.
2. OPEN FACE CURB & GUTTER LOCATIONS ARE INDICATED BY HATCHING AND NOTES ON THE GRADING PLAN.
3. IT IS THE RESPONSIBILITY OF THE CONTRACTOR/SURVEYOR TO ADJUST TOP OF CURB GRADES AT THE TIME OF CONSTRUCTION STAKING.
4. REFER TO THE TYPICAL DETAILS FOR STANDARD (CLOSED) AND OPEN FACE CURB AND GUTTER FOR DIMENSIONS.
5. TRANSITIONS BETWEEN OPEN FACE AND STANDARD (CLOSED) CURB AND GUTTER ARE TO BE SMOOTH. HAND FORM THESE AREAS IF NECESSARY.
6. CRUSHED GRAVEL BASE COURSE SHALL BE PLACED UNDER CURB AT MINIMUM DEPTH SHOWN AND EXTENDED BEYOND THE TOP BACK OF CURB AS SHOWN.
7. PROVIDE PROPERLY PREPARED SUBGRADE A MINIMUM OF 18 INCHES BEYOND THE TBC (OR AS DIRECTED BY GEOTECH REPORT) WHICH EVER IS GREATER.

GEOTECHNICAL NOTE:
REFER TO GEOTECHNICAL RECOMMENDATIONS
(IF AVAILABLE).

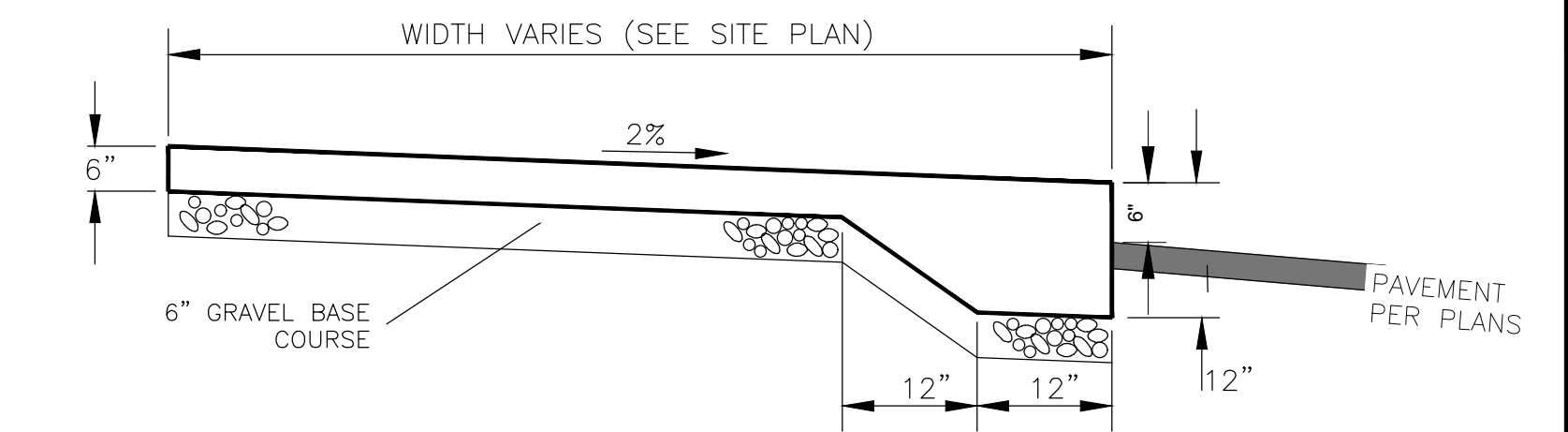


2 TYPICAL LIGHT DUTY ASPHALT PAVING SECTION
Scale: (NOT TO SCALE)

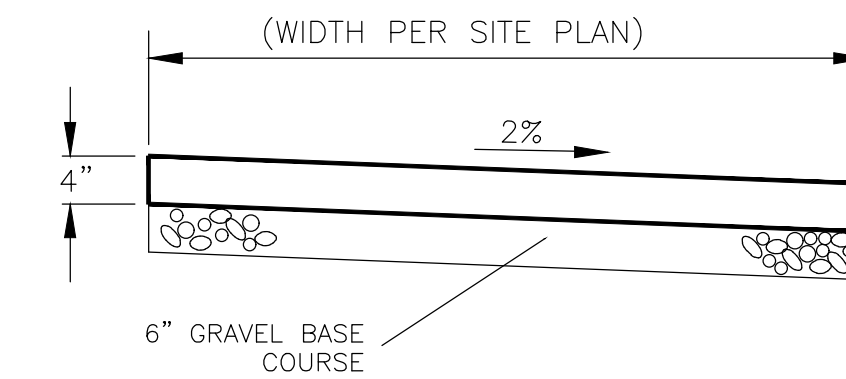
ASPHALT PAVEMENT NOTES:

1. IN AREAS WHERE ASPHALT IS NOT NEXT TO CURB & GUTTER, EXTEND PROPERLY PREPARED SUBGRADE A MINIMUM OF 18 INCHES BEYOND EDGE OF ASPHALT.
2. IN AREAS WHERE ASPHALT IS NOT NEXT TO CURB & GUTTER, EXTEND COMPACTED BASE COURSE A MINIMUM OF 12 INCHES BEYOND EDGE OF ASPHALT.

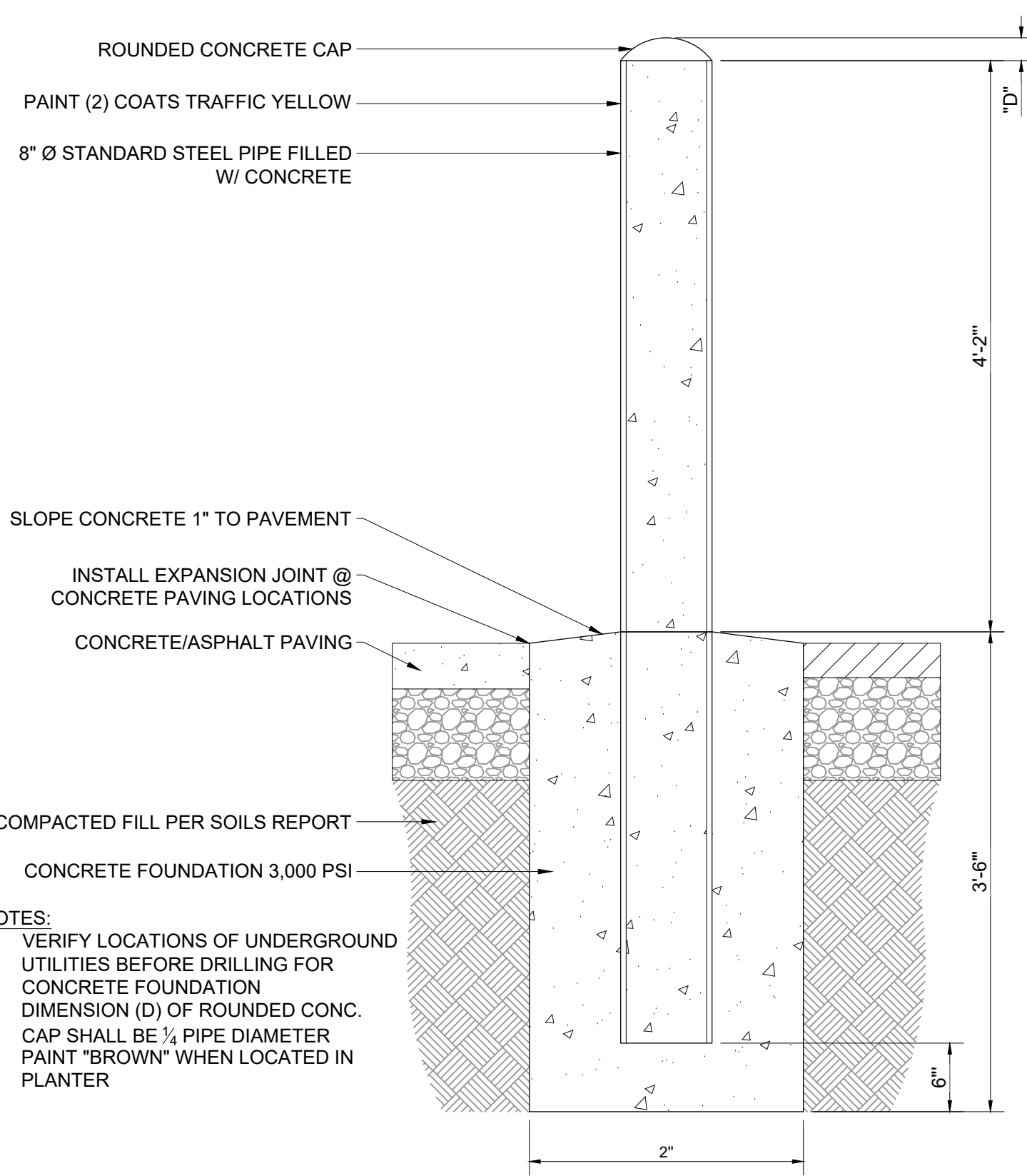
GEOTECHNICAL NOTE:
REFER TO GEOTECHNICAL RECOMMENDATIONS
(IF AVAILABLE).



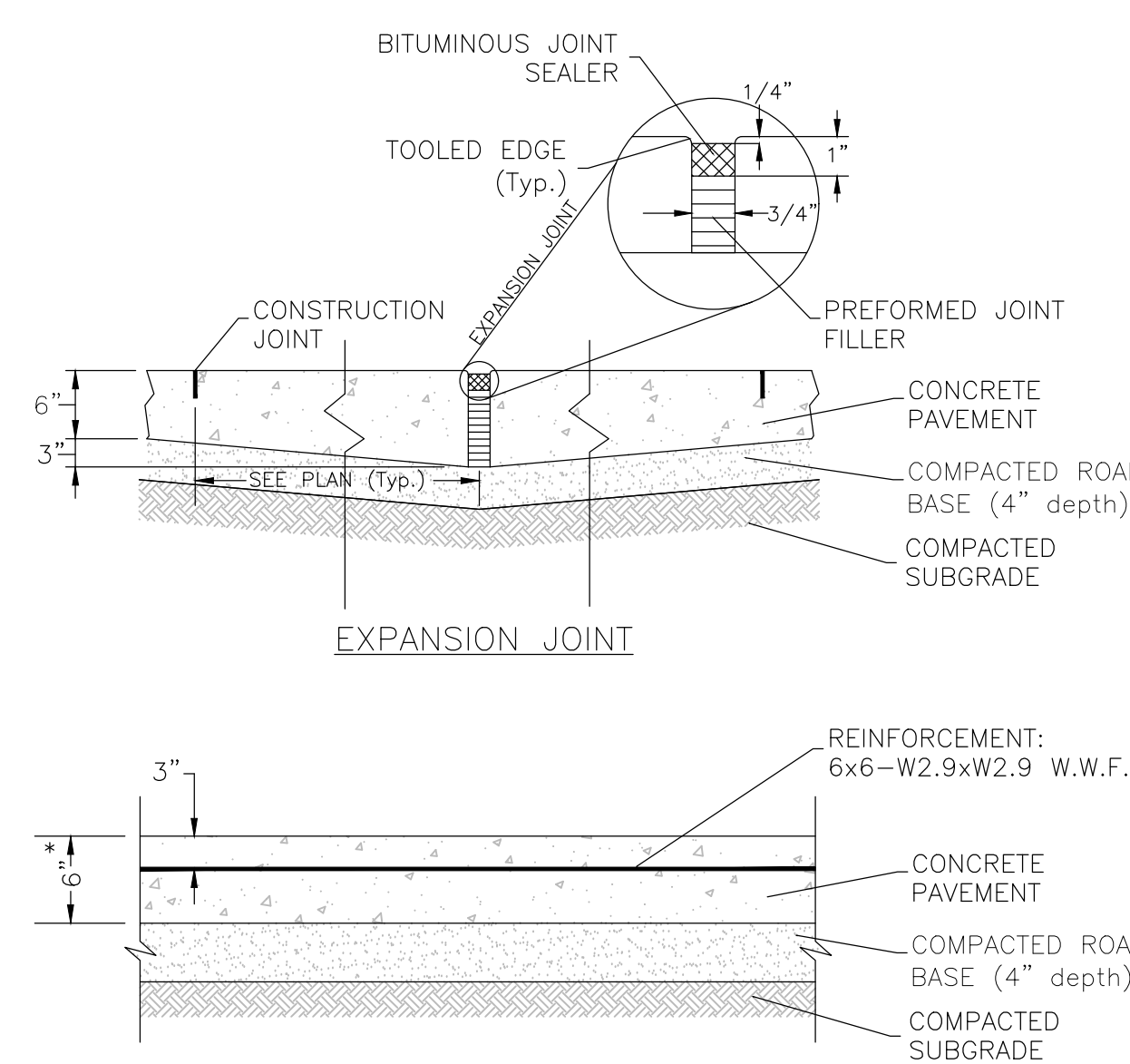
3 THICKENED EDGE SIDEWALK ADJACENT TO PARKING DETAIL
Scale: NTS



4 SIDEWALK DETAIL
Scale: NTS

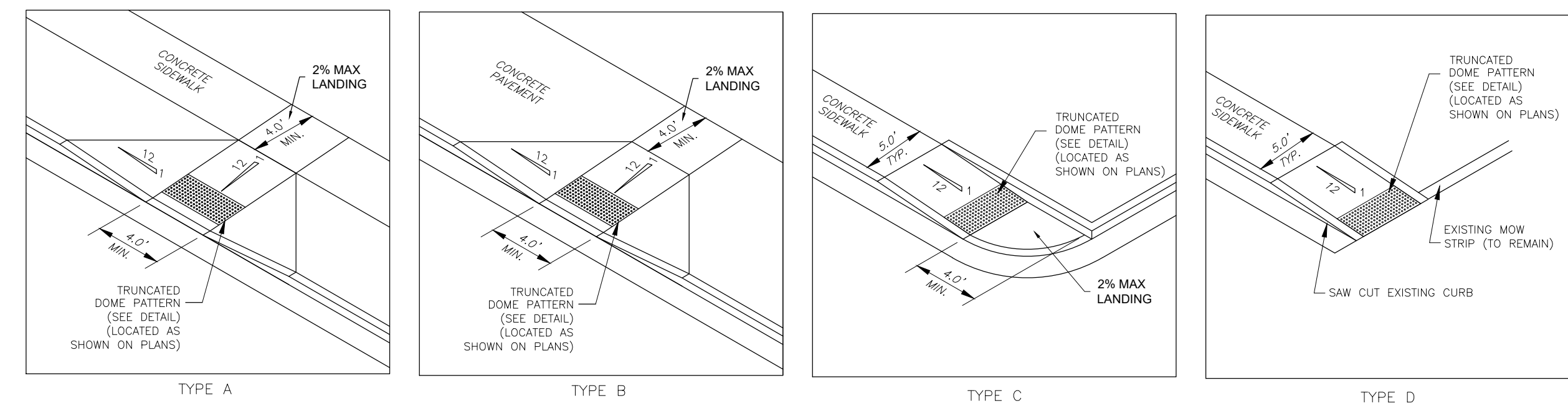


5 BOLLARD DETAIL
Scale: NTS



*NOTE: USE 6.5" THICKNESS FOR DUMPSTER PAD

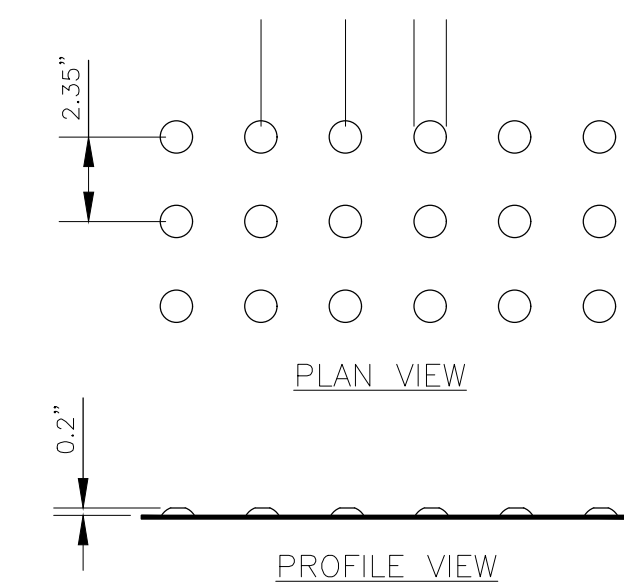
6 CONCRETE PAVEMENT DETAIL
Scale: (NOT TO SCALE)



- NOTES:**
1. SEE APWA PLAN NO. 236 FOR ADA RAMP REQUIREMENTS.
 2. CURB SHOULD HAVE A TEXTURED NON-SLIP SURFACE AS BROOM FINISH CONCRETE.

7 ADA RAMP DETAIL
Scale: NTS

- NOTE:**
TRUNCATED DOME PATTERN SHALL:
1. SHALL BE LOCATED 6 TO 8 INCHES FROM CURB OR HAZARD
 2. EXTEND THE FULL WIDTH OF THE RAMP
 3. BE IN-LINE WITH DIRECTION OF TRAVEL
 4. NOT EXCEED A 1:12 SLOPE



8 TYPICAL TRUNCATED DOME DETAIL
Scale: NTS

MOUNTAIN WEST ARCHITECTURE

PROFESSIONAL STRUCTURAL ENGINEER
10/3/2022
No. 4859845
TYLER M. NELSON
LICENSED
STATE OF UTAH

REV.	DATE	DESCRIPTION

**A Sanctuary Expansion for
Washington Heights Church**
1770 E 6200 S
Ogden, UT, 84405

MOUNTAIN WEST ARCHITECTURE | 542 25TH STREET - OGDEN, UTAH 84401 | PH: 801-388-6052 | WWW.MOUNTAINWESTARCHITECTURE.COM

ISSUE DATE: 9/28/2023

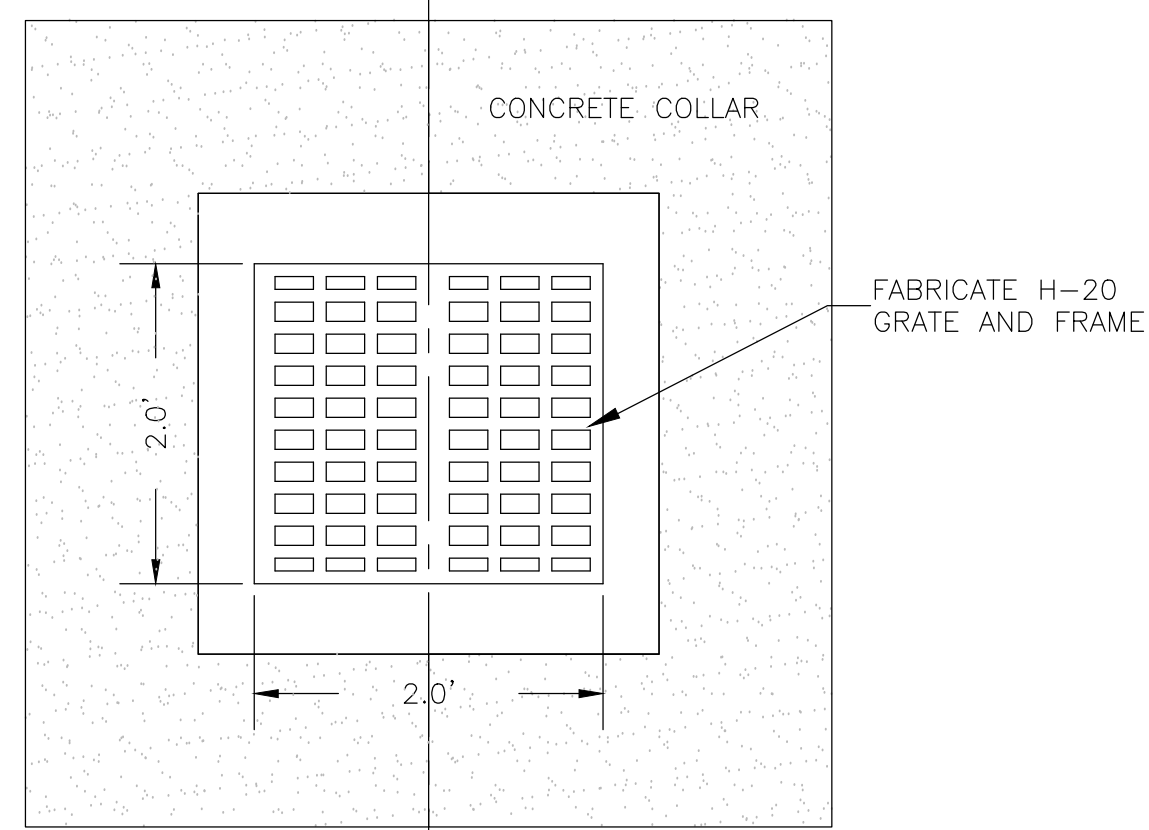
SHEET TITLE:
CIVIL SITE DETAILS

PROJECT: AC-181

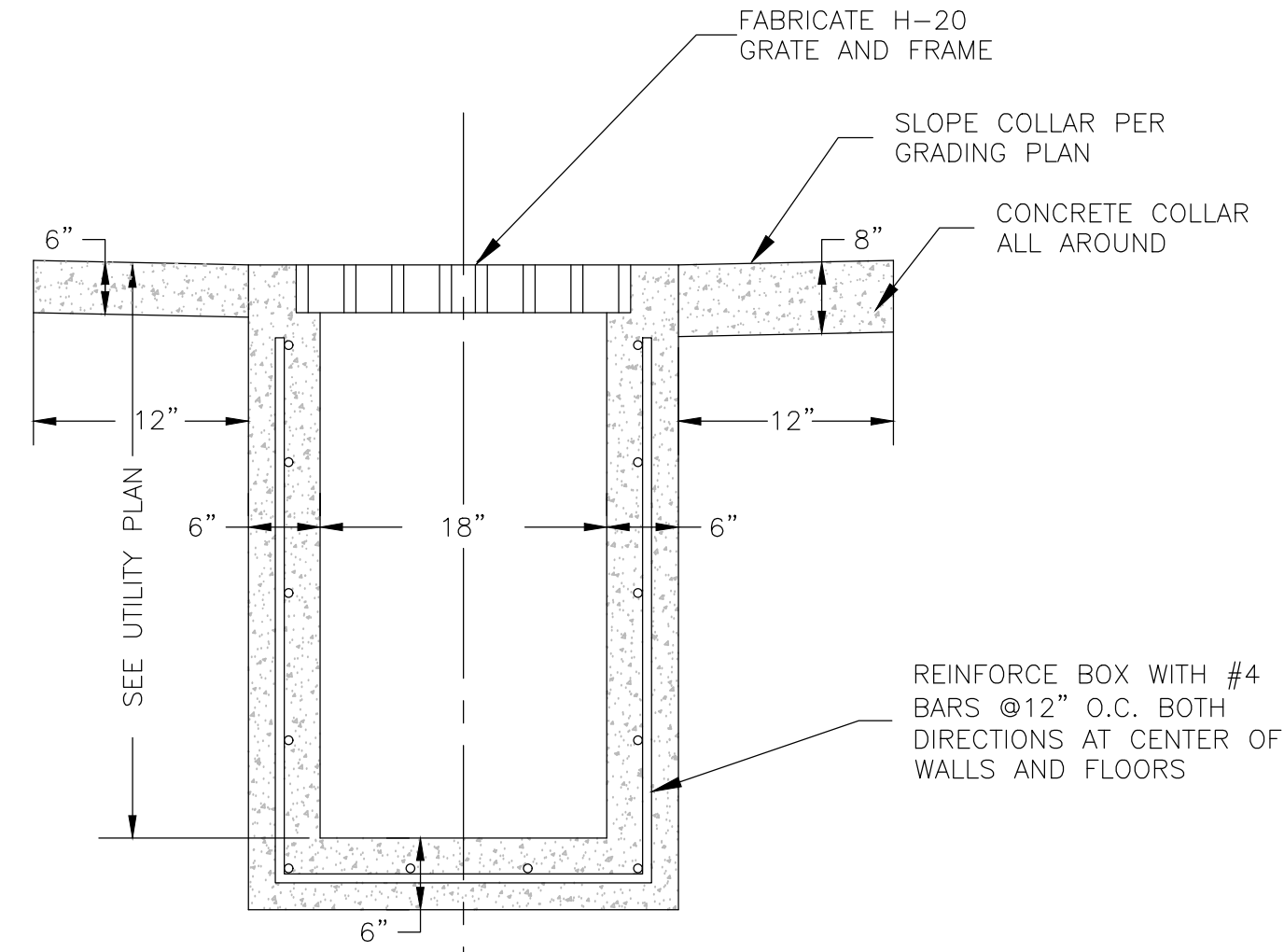
SHEET NUMBER:
CE5-01

DO NOT SCALE DRAWING

GARDNER ENGINEERING
CIVIL • LAND PLANNING
MUNICIPAL • LAND SURVEYING
1800 W 2100S, WEST HAVEN, UT 84405
P 801.476.0202 F 801.476.0066

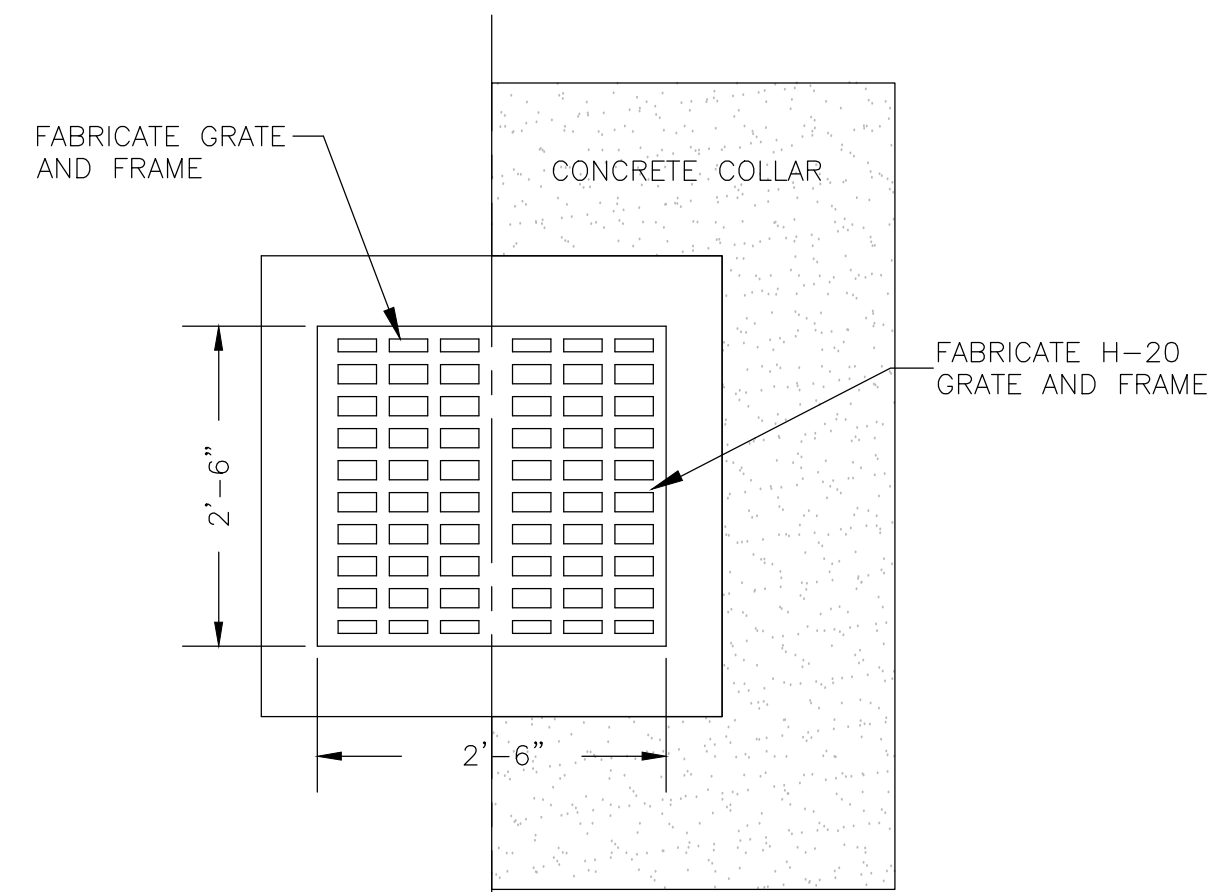


PLAN VIEW

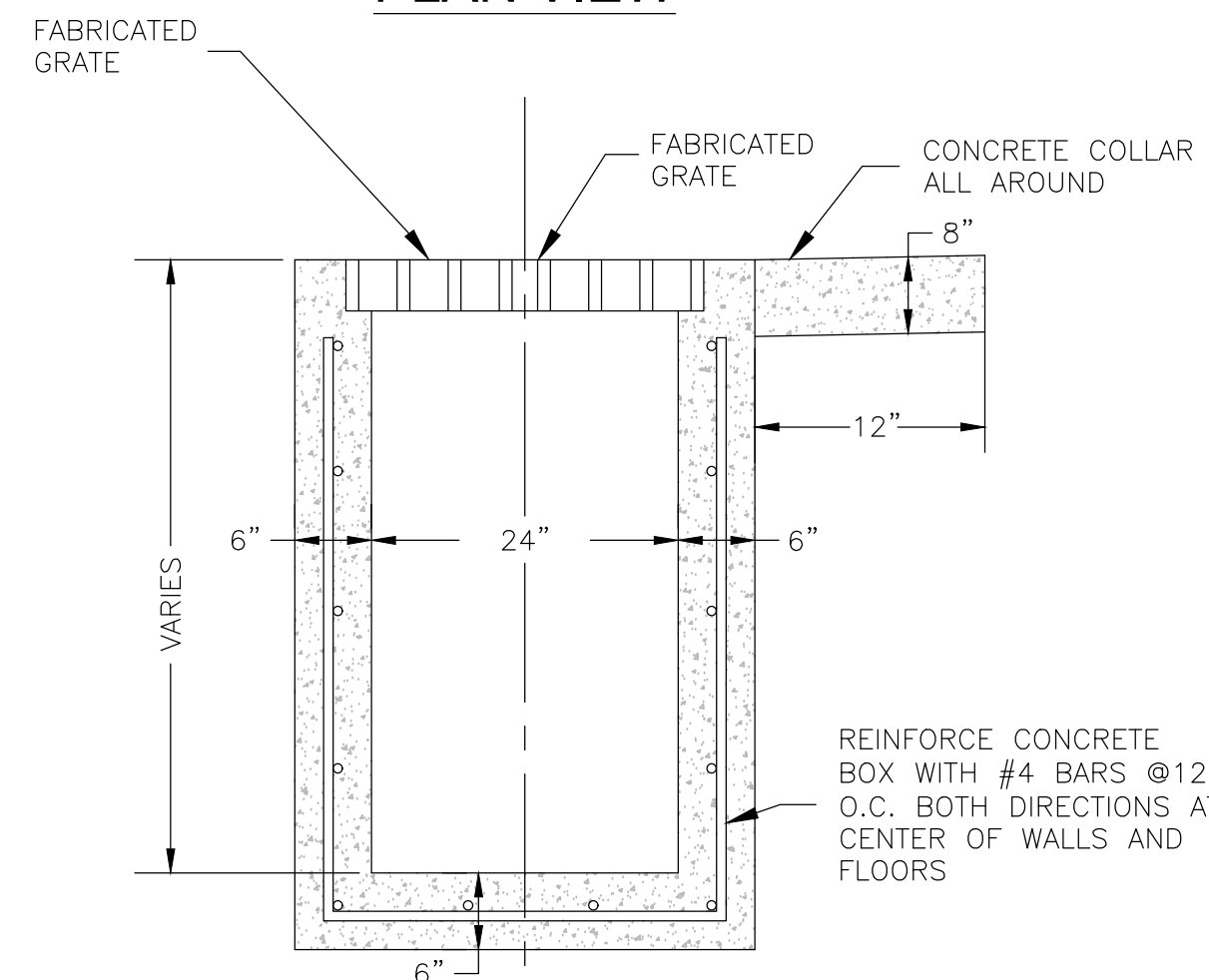


SECTION VIEW

1 18" CATCH BASIN BOX
Scale: (NOT TO SCALE)

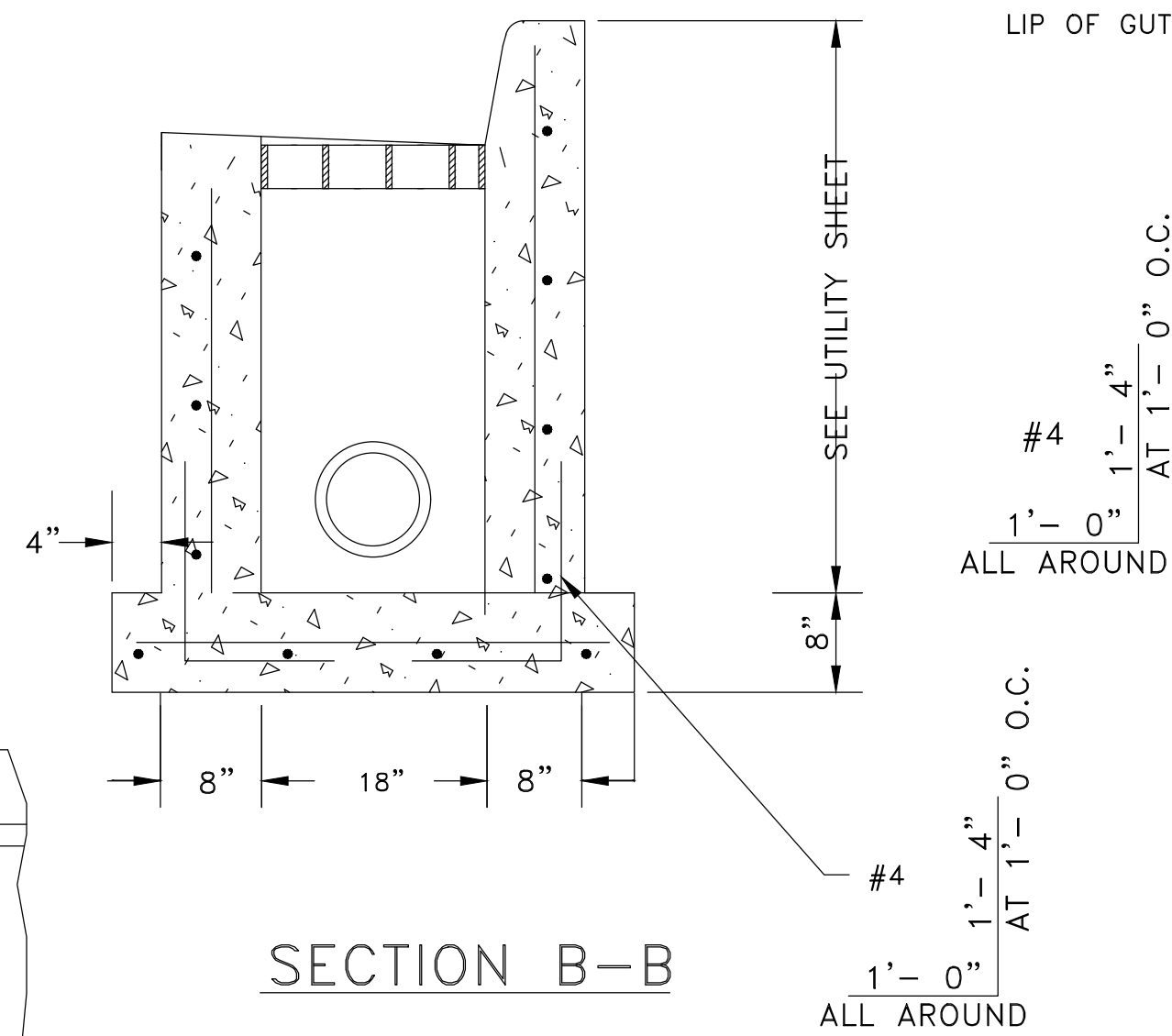
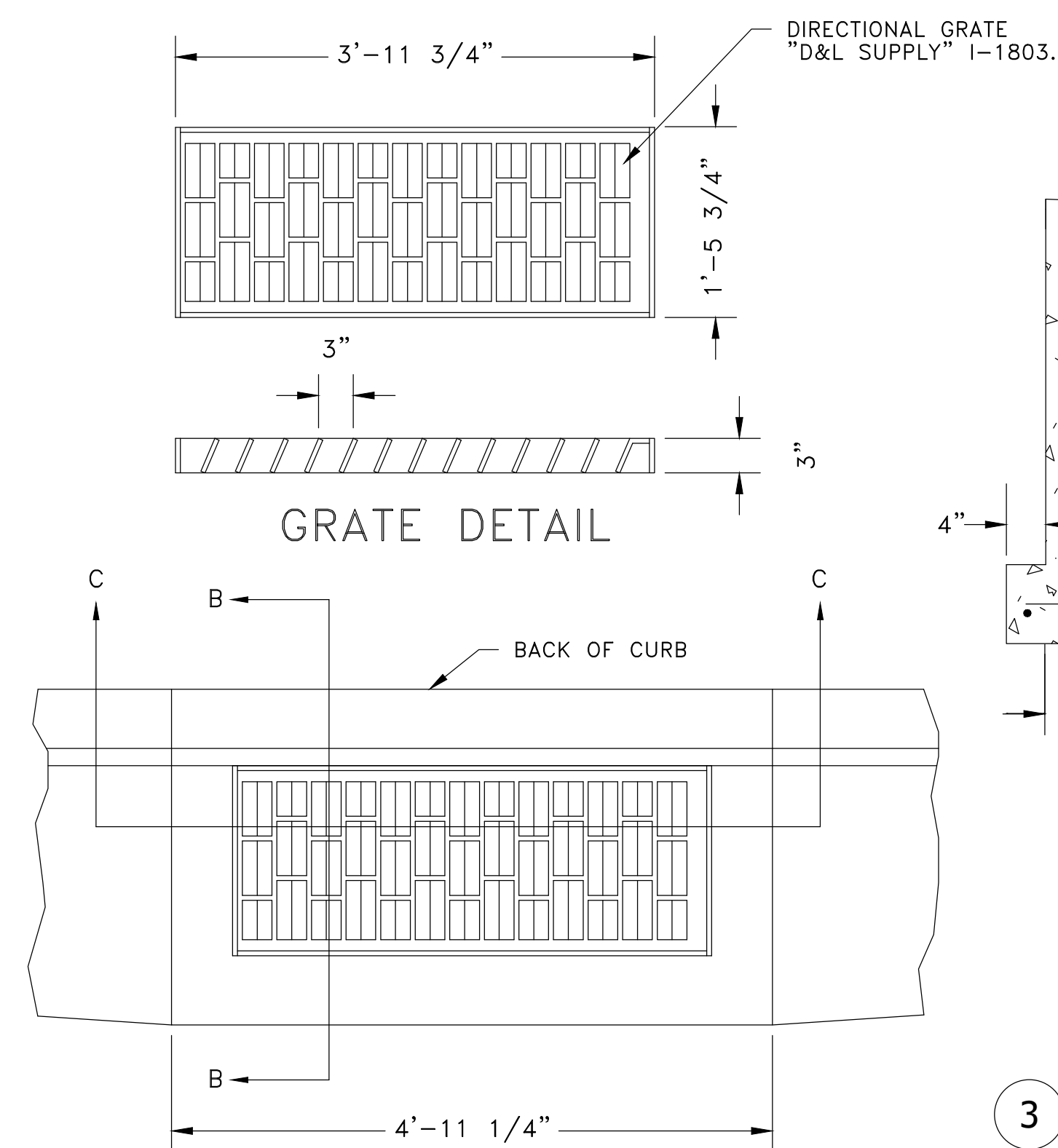
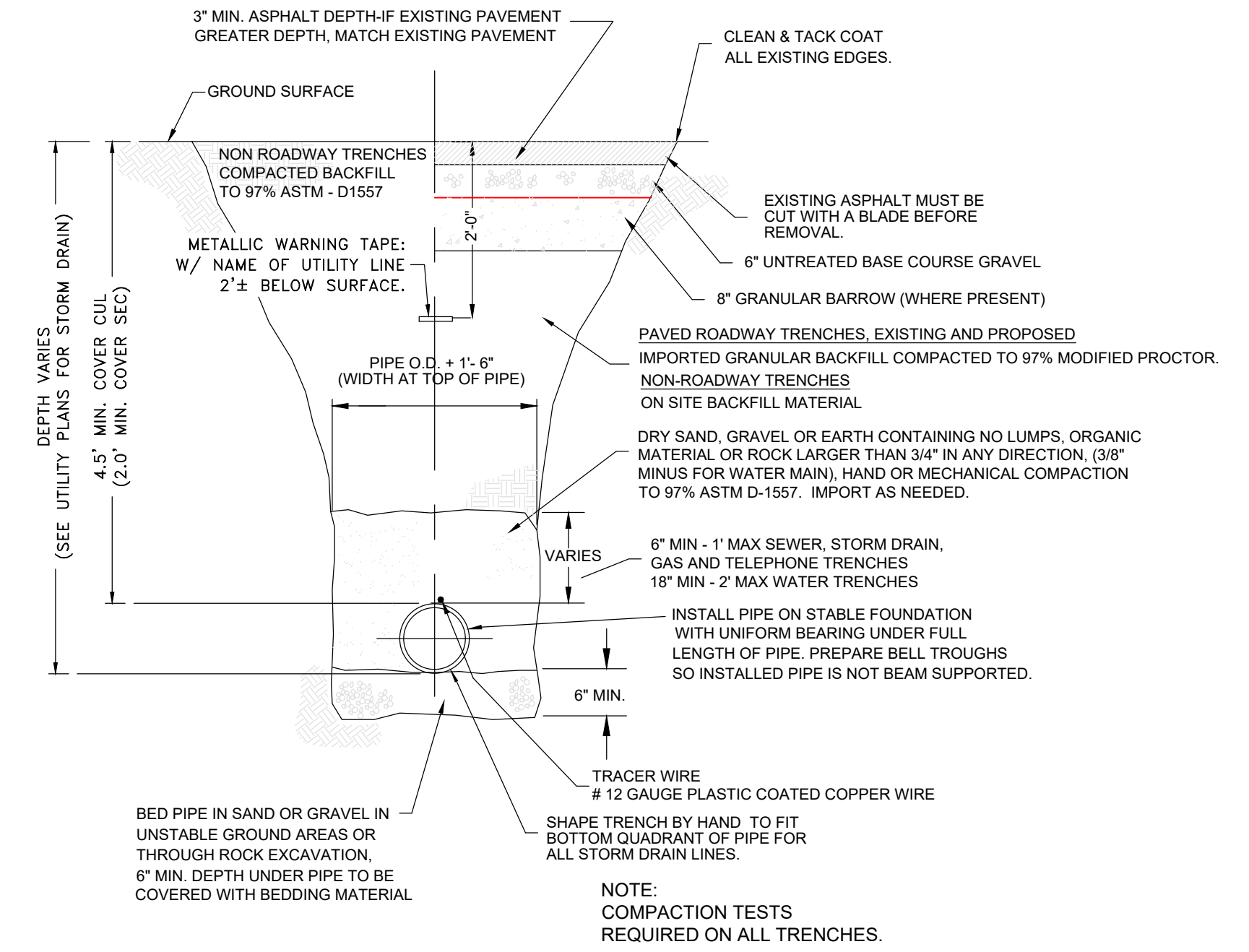


PLAN VIEW

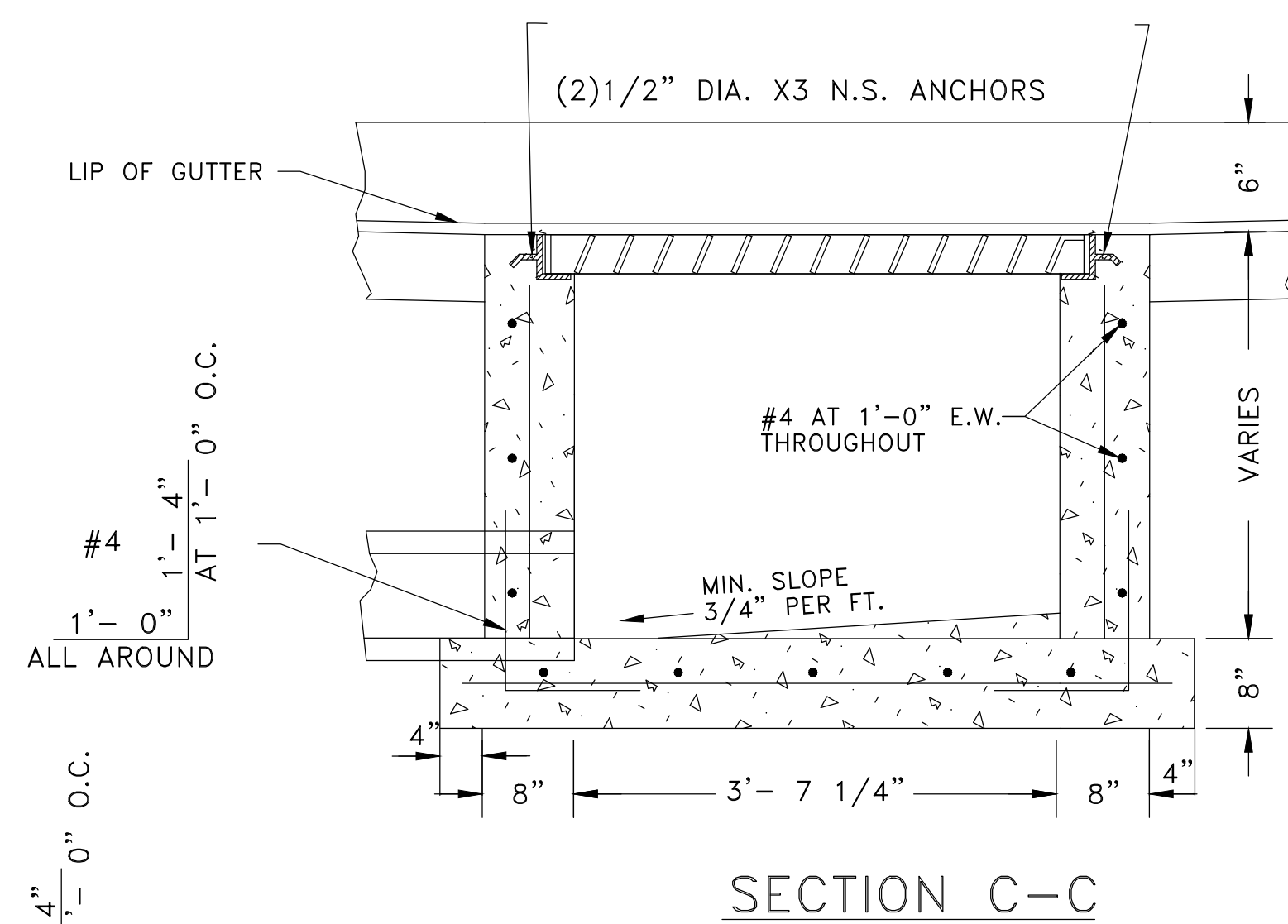


SECTION VIEW

2 24-INCH CATCH BASIN BOX
Scale: (NOT TO SCALE)



3 18-INCH CURB INLET BOX
Scale: (NOT TO SCALE)



GARDNER ENGINEERING
CIVIL • LAND PLANNING
MUNICIPAL • LAND SURVEYING
1590 W 2100S, WEST HAVEN, UT 84405
P 801.476.0202 F 801.476.0066

MOUNTAIN WEST ARCHITECTURE

PROFESSIONAL STRUCTURAL ENGINEER
10/3/2022
No. 4859845
TYLER M. NIELSON
LICENSE
STATE OF UTAH

REV.	DATE	DESCRIPTION

PROJECT: A Sanctuary Expansion for
Washington Heights Church
1770 E 6200 S
Ogden, UT, 84405

MOUNTAIN WEST ARCHITECTURE | 542 25TH STREET - OGDEN, UTAH 84401 | PH: 801-388-6052 | WWW.MOUNTAINWESTARCHITECTURE.COM

ISSUE DATE: 9/28/2023

SHEET TITLE:
CIVIL UTILITY DETAILS

PROJECT: AC-161

SHEET NUMBER:
CE5-03

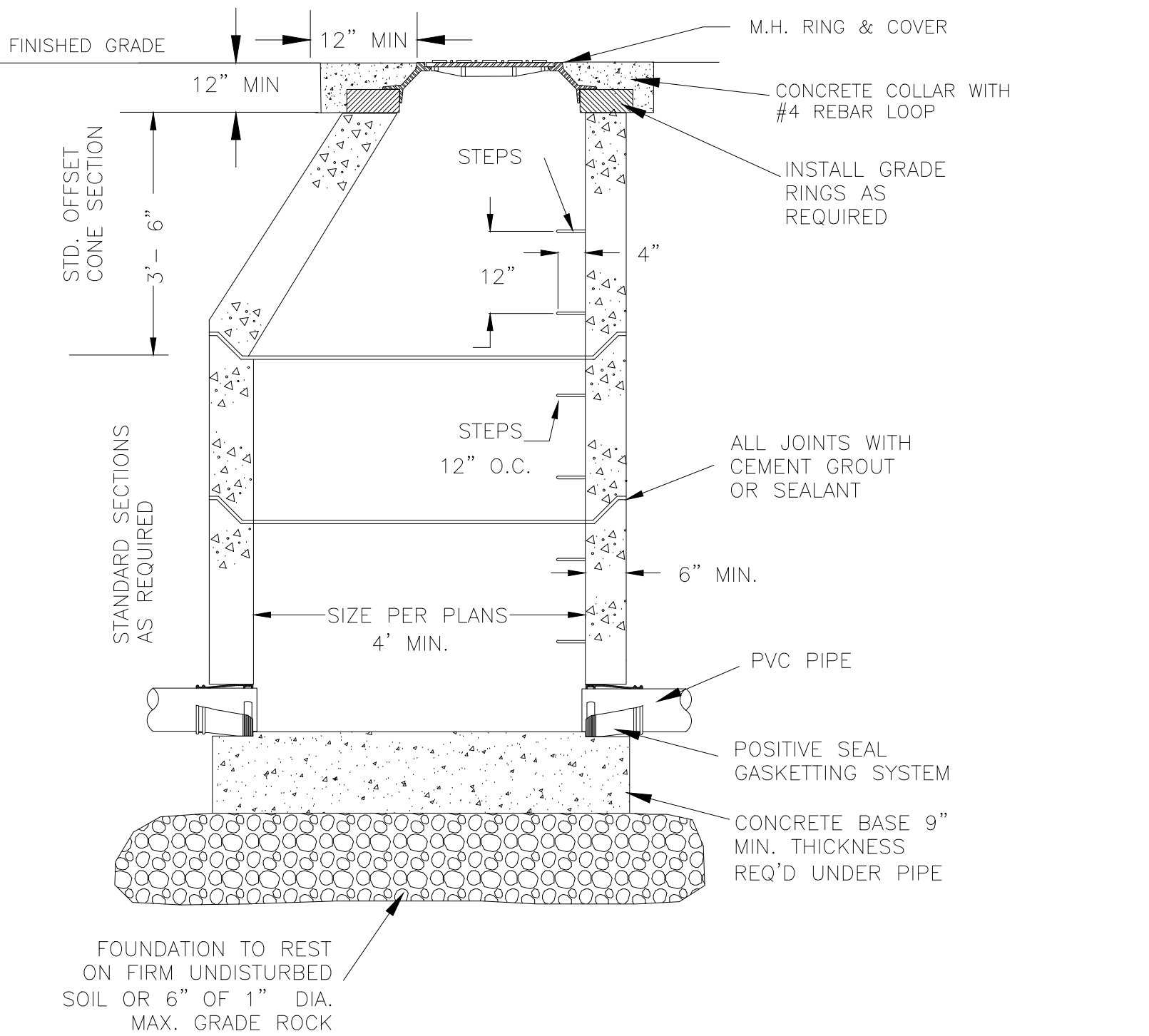
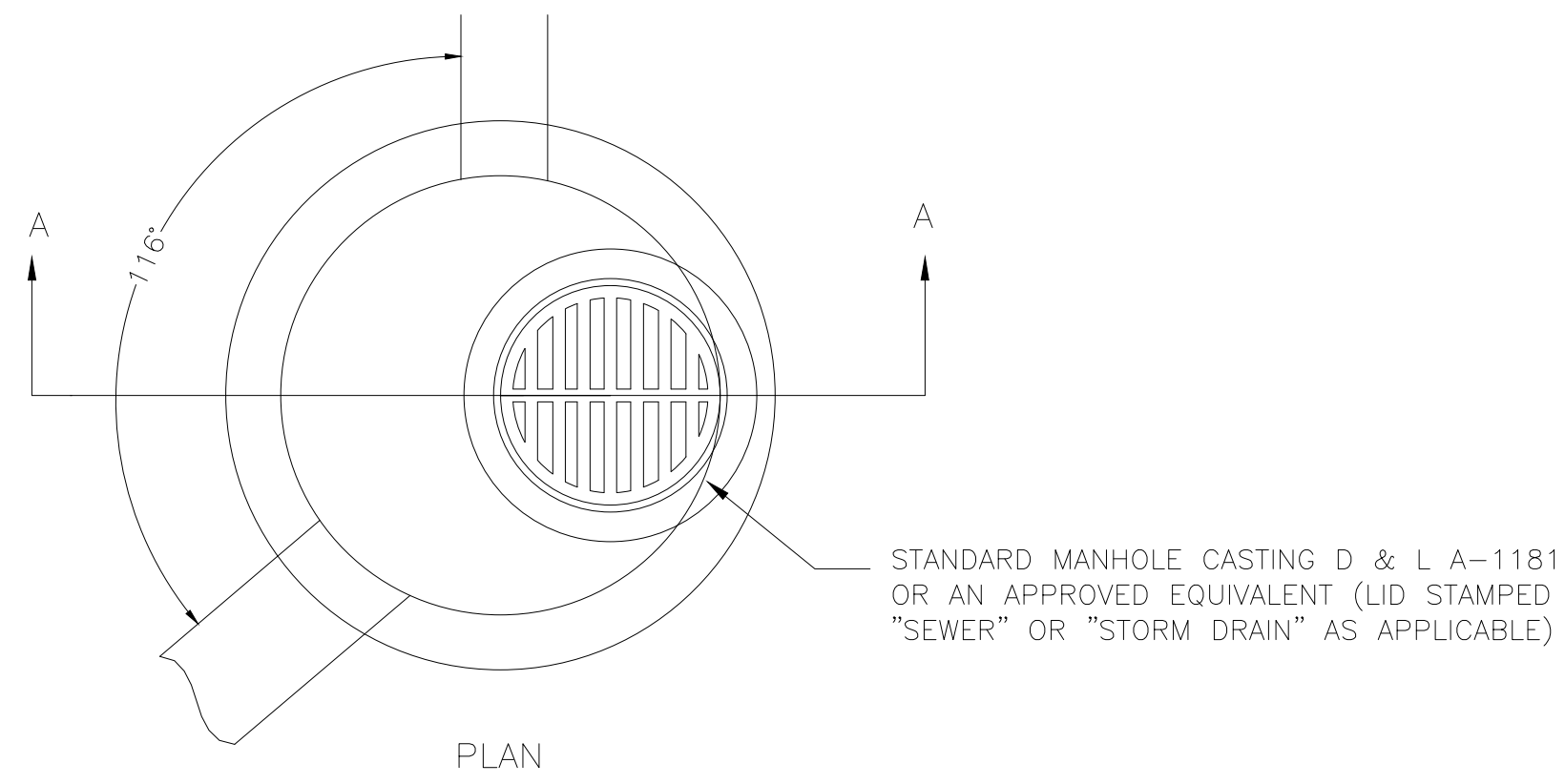
DO NOT SCALE DRAWING

REV#	DATE	DESCRIPTION

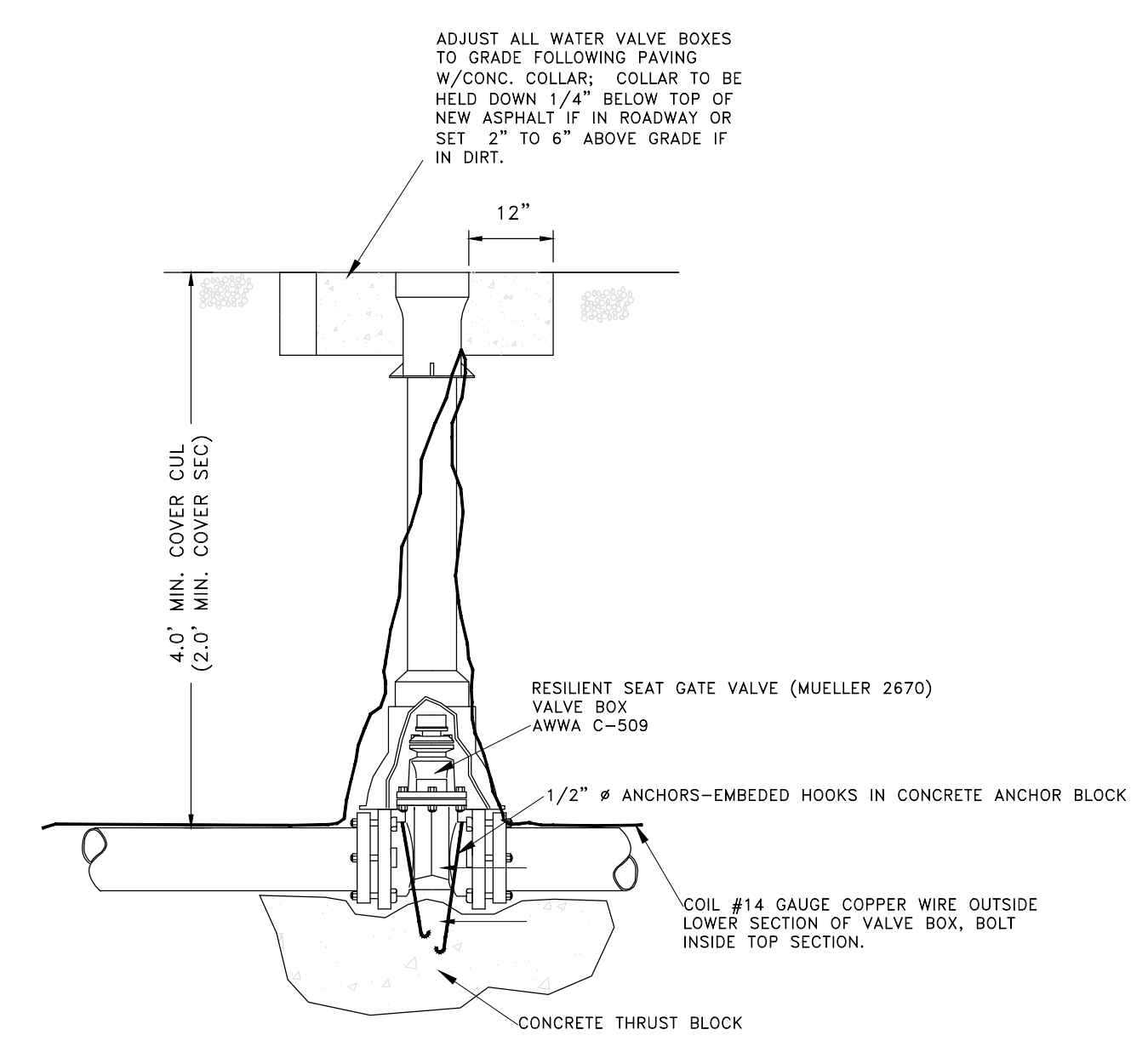
PROJECT: A Sanctuary Expansion for
Washington Heights Church
1770 E 6200 S
Ogden, UT, 84405
MOUNTAIN WEST ARCHITECTURE | 543 25TH STREET - OGDEN, UTAH 84401 | PH: 801-388-6052 | WWW.MOUNTAINWESTARCHITECTURE.COM

SHEET TITLE: CIVIL UTILITY DETAILS
PROJECT: AC-161
SHEET NUMBER: CE5-04

ISSUE DATE: 9/28/2023
DO NOT SCALE DRAWING

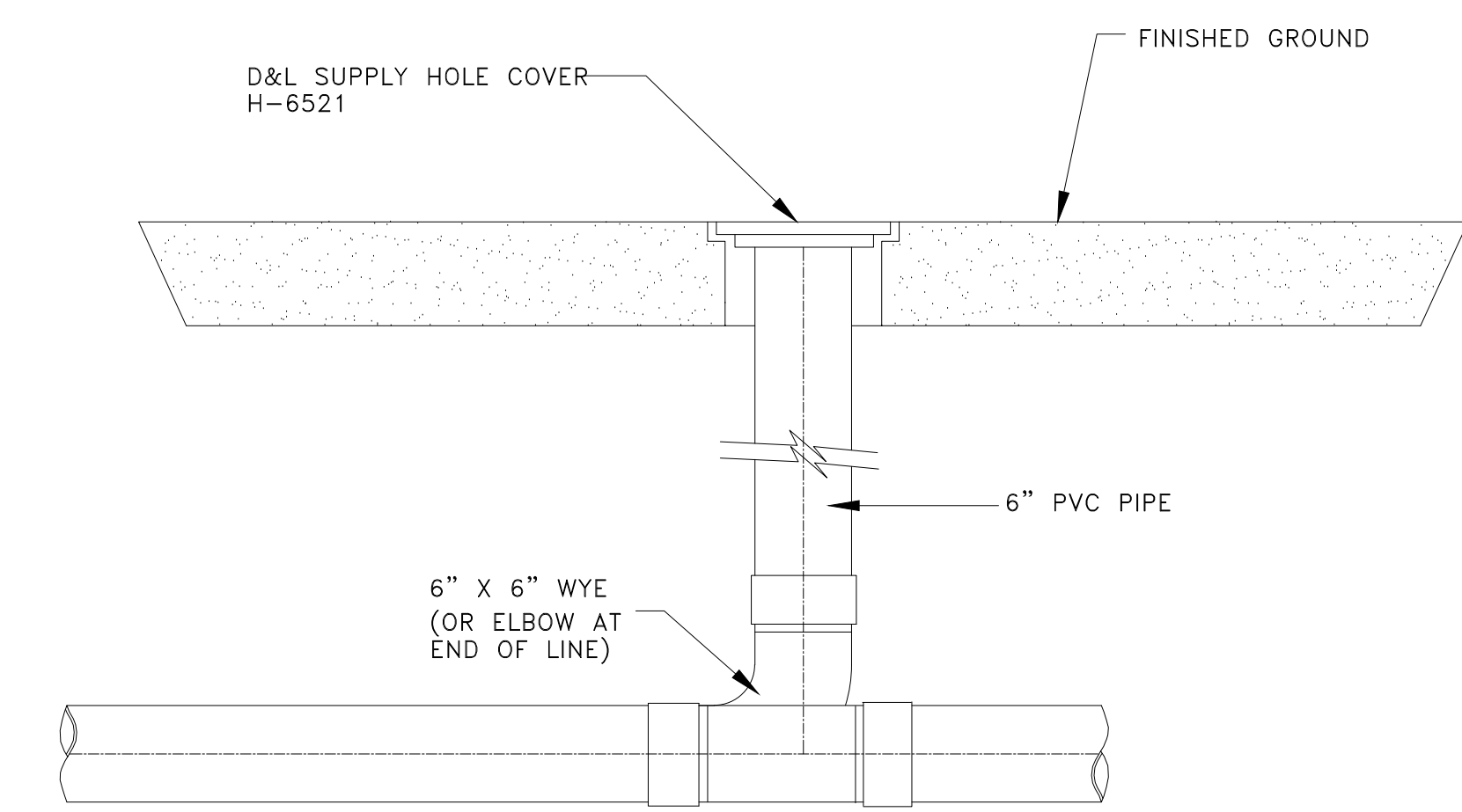


1 SEWER OR STORM DRAIN MANHOLE
Scale: (NOT TO SCALE)

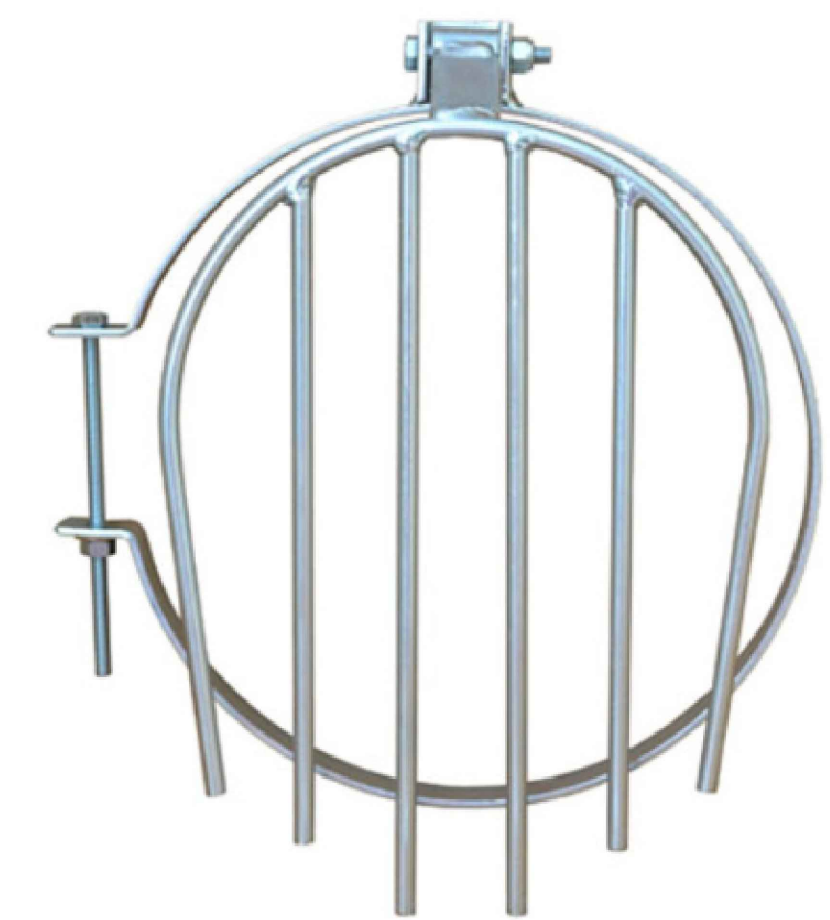


4 TYPICAL VALVE DETAIL
Scale: (NOT TO SCALE)

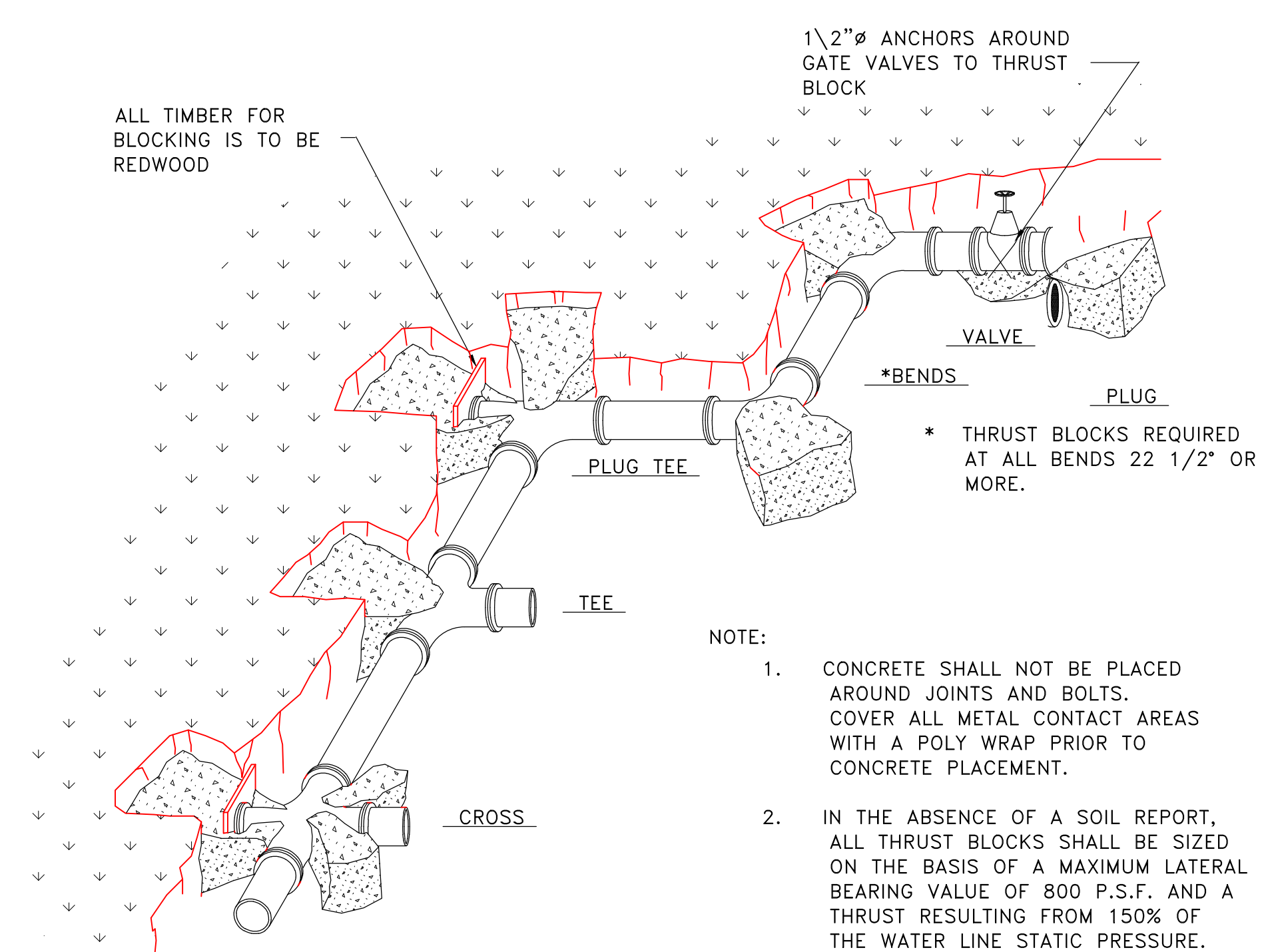
(CULINARY OR SECONDARY
SEE INDIVIDUAL WATER COMPANY
OR DISTRICT STANDARDS)



2 CLEANOUT DETAIL
Scale: (NOT TO SCALE)



3 AGRI-DRAIN 8 - INCH ANIMAL GUARD
Scale: (NOT TO SCALE)



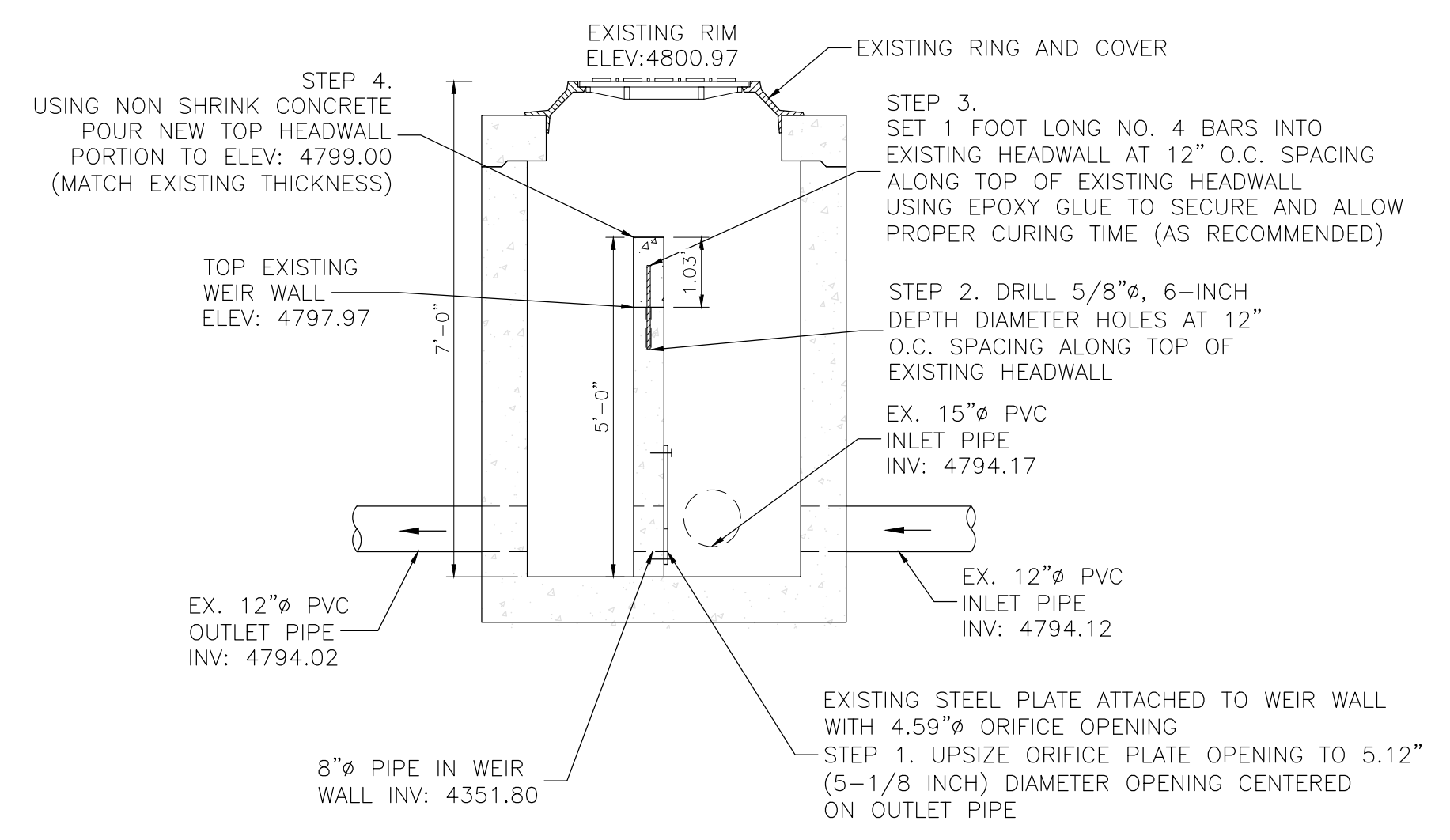
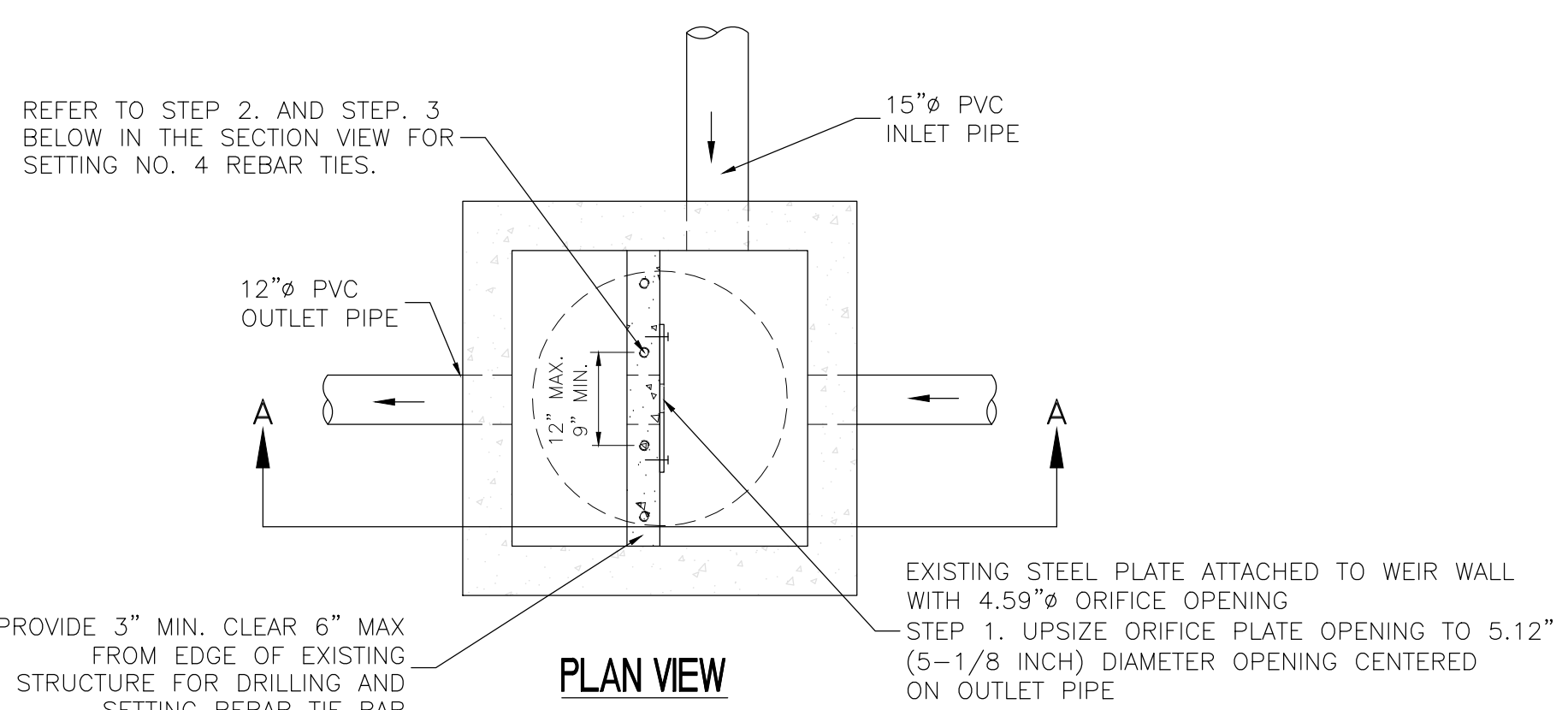
- NOTE:
- CONCRETE SHALL NOT BE PLACED AROUND JOINTS AND BOLTS. COVER ALL METAL CONTACT AREAS WITH A POLY WRAP PRIOR TO CONCRETE PLACEMENT.
 - IN THE ABSENCE OF A SOIL REPORT, ALL THRUST BLOCKS SHALL BE SIZED ON THE BASIS OF A MAXIMUM LATERAL BEARING VALUE OF 800 P.S.F. AND A THRUST RESULTING FROM 150% OF THE WATER LINE STATIC PRESSURE.

IMPORTANT:

THIS DETAIL SHEET IS A MINIMUM REQUIREMENT STANDARD FOR CULINARY WATER SUPPLY UTILITIES AND IMPROVEMENTS IN WEST HAVEN CITY. IN DEVELOPMENT AREAS WHERE NO STANDARDS EXIST, ALL CULINARY WATER FACILITIES AND IMPROVEMENTS SHALL BE CONSTRUCTED TO THE CITY STANDARD.

INDIVIDUAL DISTRICT/COMPANY STANDARDS SUPERSEDE THE WEST HAVEN CITY STANDARD. CONSULT WITH THE CONTROLLING WATER DISTRICT/COMPANY FOR CONSTRUCTION DETAILS AND REQUIREMENTS PRIOR TO DESIGN AND CONSTRUCTION.

NOTE
TRENCH BACK FILL, INSTALLATION, TESTING AND DISINFECTING REQUIREMENTS:
ALL IMPORT MATERIAL AND BACKFILL TO BE COMPACTED TO 97% ASTM D-1557 IN ROADWAYS OR ANY LOAD BEARING SURFACE AND 90% IN LANDSCAPED AREAS OR NON LOAD BEARING SURFACES.
ALL BACKFILL AND COMPACTION SHALL TAKE PLACE IN 24" MAXIMUM DEPTH LIFTS WITH COMPACTION TESTING ON EACH LIFT. ALL COMPACTION TESTING SHALL BE PROVIDED AT THE EXPENSE OF THE CONTRACTOR PERFORMING THE WORK. THE CITY SHALL REVIEW AND INSPECT COMPACTION PROCEDURES AND TEST RESULTS FOR COMPLIANCE WITH CITY REQUIREMENTS.
ALL PRESSURE PIPE SYSTEMS TO BE FLUSHED AND PRESSURE TESTED AT A MINIMUM OF 1.5 TIMES THE MAXIMUM STATIC PRESSURE FOR 2 HOURS OR AS REQUIRED BY THE CONTROLLING WATER COMPANY OR DISTRICT.
CULINARY PIPE SYSTEMS TO BE DISINFECTED AND TESTED TO THE CONTROLLING COMPANY OR DISTRICT STANDARDS. IF THE SYSTEM IS TO BE OWNED OR OPERATED BY WEST HAVEN CITY THEN THE SYSTEM SHALL BE TESTED USING CURRENT STATE STANDARDS



SECTION A-A

1 EXISTING OUTLET CONTROL STRUCTURE RETROFIT
Scale: NOT TO SCALE

MOUNTAIN WEST ARCHITECTURE
ARCHITECTURE

PROFESSIONAL STRUCTURAL ENGINEER
10/3/2022
No. 4859845
TYLER M. NIELSON
LICENSE
STATE OF UTAH

REV.	DATE	DESCRIPTION

PROJECT: A Sanctuary Expansion for
Washington Heights Church
1770 E 6200 S
Ogden, UT, 84405

MOUNTAIN WEST ARCHITECTURE | 542 25TH STREET | OGDEN, UTAH 84401 | PH: 801-388-6052 | www.mountainwestarchitecture.com

ISSUE DATE: 9/28/2023

SHEET TITLE: CIVIL UTILITY DETAILS

PROJECT: AC-161

SHEET NUMBER: CE5-05

DO NOT SCALE DRAWING

GARDNER ENGINEERING
CIVIL • LAND PLANNING
MUNICIPAL • LAND SURVEYING
1800 W 2100S, WEST HAVEN, UT 84405
P 801.476.0202 F 801.476.0066