

TAYLOR SUBSTATION

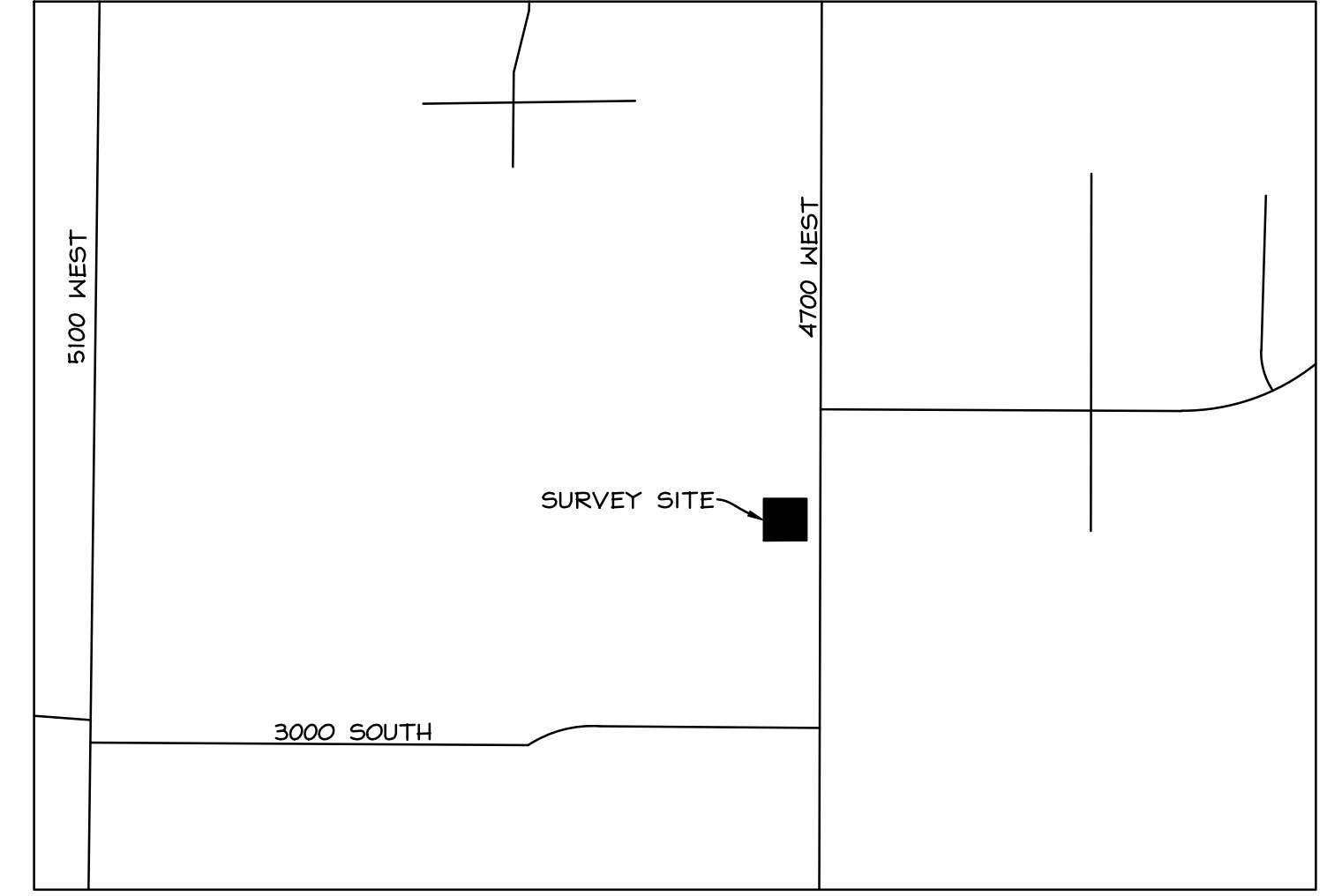
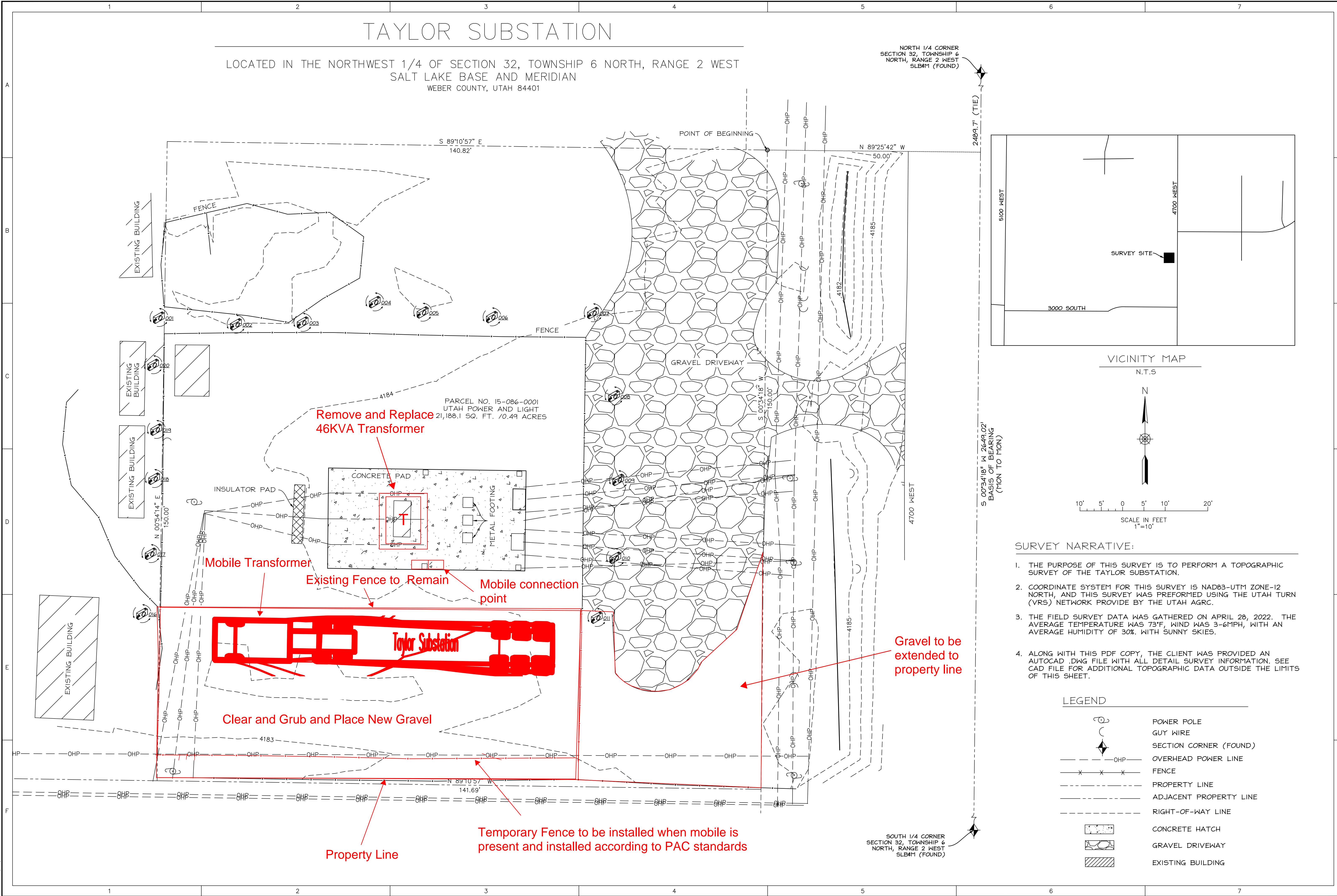
LOCATED IN THE NORTHWEST 1/4 OF SECTION 32, TOWNSHIP 6 NORTH, RANGE 2 WEST
SALT LAKE BASE AND MERIDIAN
WEBER COUNTY, UTAH 84401

NORTH 1/4 CORNER
SECTION 32, TOWNSHIP 6
NORTH, RANGE 2 WEST
SLB&M (FOUND)

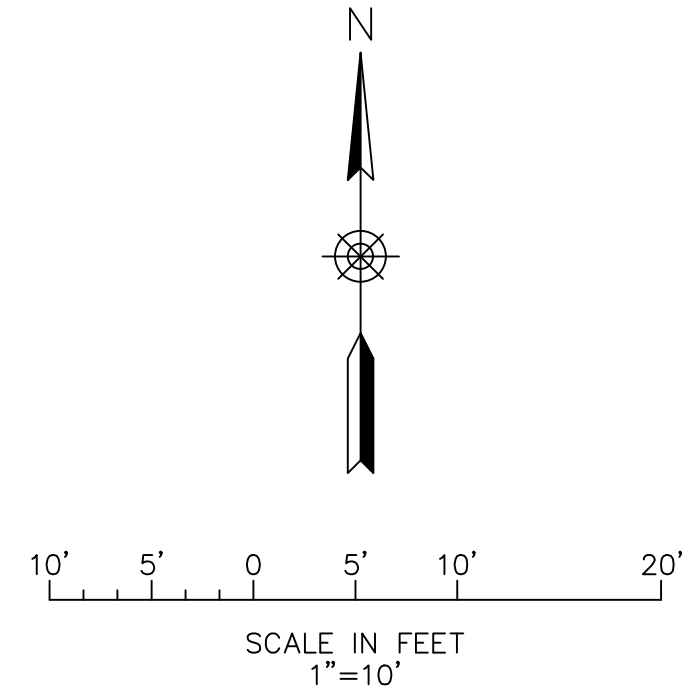
2489.71' (TIE)

S 00°34'18" W 2649.02'
BASIS OF BEARING
(TIE TO TIE)

SOUTH 1/4 CORNER
SECTION 32, TOWNSHIP 6
NORTH, RANGE 2 WEST
SLB&M (FOUND)



VICINITY MAP
N.T.S.



SURVEY NARRATIVE:

1. THE PURPOSE OF THIS SURVEY IS TO PERFORM A TOPOGRAPHIC SURVEY OF THE TAYLOR SUBSTATION.
2. COORDINATE SYSTEM FOR THIS SURVEY IS NAD83-UTM ZONE-12 NORTH, AND THIS SURVEY WAS PERFORMED USING THE UTAH TURN (VRS) NETWORK PROVIDED BY THE UTAH AGRC.
3. THE FIELD SURVEY DATA WAS GATHERED ON APRIL 28, 2022. THE AVERAGE TEMPERATURE WAS 73°F, WIND WAS 3-6MPH, WITH AN AVERAGE HUMIDITY OF 30%. WITH SUNNY SKIES.
4. ALONG WITH THIS PDF COPY, THE CLIENT WAS PROVIDED AN AUTOCAD .DWG FILE WITH ALL DETAIL SURVEY INFORMATION. SEE CAD FILE FOR ADDITIONAL TOPOGRAPHIC DATA OUTSIDE THE LIMITS OF THIS SHEET.

LEGEND

	POWER POLE
	GUY WIRE
	SECTION CORNER (FOUND)
	OVERHEAD POWER LINE
	FENCE
	PROPERTY LINE
	ADJACENT PROPERTY LINE
	RIGHT-OF-WAY LINE
	CONCRETE HATCH
	GRAVEL DRIVEWAY
	EXISTING BUILDING

NO.	DATE	REVISIONS	ENGINEER	DES./DR.	CHECKED	APPROVED
TOPOGRAPHIC SURVEY						
PROJECT NO.	23-075	DISCIPLINE	ENG.	PROJECT	ENG.	APPROVAL
DATE	2023-06-21	DES.	DR.	CH	CH	SCALE
TAYLOR SUBSTATION WEBER COUNTY, UTAH TOPOGRAPHIC SURVEY N.W. 1/4 SEC. 32, T.6N., R.2W. SLB&M						SHEET 1 OF 1 SCALE 1:10
REVISION						

REVISED 05/02/14 D. HURLEY