

# THE RIDGE TOWNHOMES PHASE 1

PART OF THE NORTHEAST 1/4 OF SECTION 27  
T7N, R1E, SLB & M, U.S. SURVEY  
WEBER COUNTY, UTAH

MARCH 2014



UNITS 1 - 4

*Put your BEARINGS  
CLOCKWISE THROUGHOUT  
YOUR LINE TABLE  
FOR BOTH UNITS 1-4 AND UNITS 5-8*

UNITS 5 - 8

LINE #	LENGTH	BEARING
L1	6.208	S18° 08' 52" W
L2	2.000	S71° 51' 08" W
L3	17.704	S18° 08' 52" W
L4	8.290	N76° 51' 08" W
L5	12.321	N76° 51' 08" W
L6	5.322	S13° 08' 52" W
L7	2.963	S76° 51' 08" E
L8	12.980	S13° 08' 52" W
L9	6.838	N76° 51' 08" W
L10	12.459	S13° 08' 52" W
L11	13.839	N76° 51' 08" W
L12	0.999	S13° 08' 52" W
L13	7.740	N76° 51' 08" W
L14	1.000	N13° 08' 52" E
L15	2.837	N76° 51' 08" W
L16	12.458	N13° 08' 52" E
L17	2.500	N76° 51' 08" W
L18	3.327	N13° 08' 52" E
L19	9.173	N13° 08' 52" E
L20	21.384	N76° 51' 08" W
L21	6.314	N76° 51' 08" W
L22	9.227	S13° 08' 52" W
L23	2.589	N76° 51' 08" W
L24	12.354	S13° 08' 52" W
L25	4.562	N76° 51' 08" W
L26	2.000	S13° 08' 52" W
L27	10.208	N76° 51' 08" W
L28	1.917	N13° 08' 52" E
L29	9.542	N76° 51' 08" W
L30	6.250	N13° 08' 52" E
L31	2.250	S76° 51' 08" E
L32	7.894	N13° 08' 52" E
L33	10.268	S71° 51' 08" E
L34	15.288	S71° 51' 08" E
L35	0.667	S13° 08' 52" W
L36	15.713	S76° 51' 08" E
L37	5.000	S13° 08' 52" W
L38	13.667	S76° 51' 08" E
L39	2.146	N13° 08' 52" E
L40	2.833	S76° 51' 08" E
L41	2.146	S13° 08' 52" W
L42	13.906	S76° 51' 08" E
L43	3.792	N13° 08' 52" E
L44	2.635	S76° 51' 08" E
L45	1.792	S13° 08' 52" W

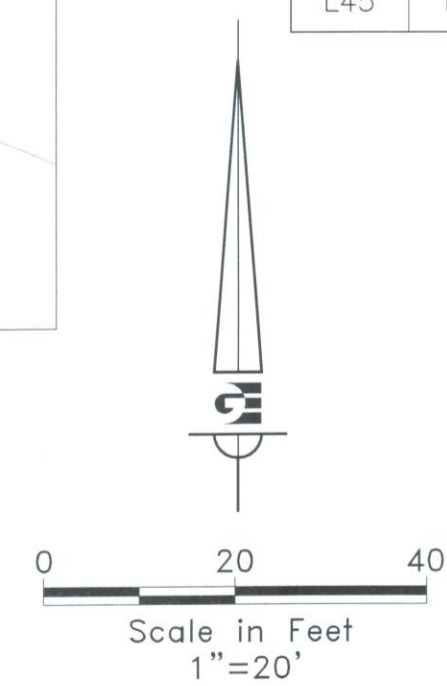
LINE #	LENGTH	BEARING
L46	13.830	S76° 51' 08" E
L47	3.000	N13° 08' 52" E
L48	14.917	S76° 51' 08" E
L49	5.042	S13° 08' 52" W
L50	29.303	S76° 51' 08" E
L51	5.546	S18° 08' 52" W
L52	2.208	S71° 51' 08" E
L53	0.667	S13° 08' 52" W
L54	16.916	S76° 51' 08" E
L55	49.042	S13° 08' 52" W
L56	0.458	S76° 51' 08" E
L57	15.715	S13° 08' 52" W
L58	7.229	N76° 51' 08" W
L59	4.375	S13° 08' 52" W
L60	7.229	N76° 51' 08" W
L61	15.119	S13° 09' 33" W
L62	44.436	N12° 55' 58" E
L63	17.438	S76° 51' 08" E
L67	9.310	S76° 51' 08" E
L68	7.758	S13° 08' 52" W
L69	20.010	S76° 41' 09" E
L70	1.818	S12° 52' 07" W
L71	16.453	S76° 41' 09" E
L72	3.074	N13° 12' 22" E
L73	2.762	S11° 02' 40" W
L74	16.399	S76° 31' 26" E
L76	9.706	N76° 51' 08" W
L77	7.971	S13° 18' 51" W
L78	25.037	S71° 41' 09" E
L79	7.640	S12° 49' 20" W
L80	17.129	S76° 02' 53" E
L81	27.699	S76° 57' 45" E
L82	9.342	S76° 16' 44" E
L83	5.416	S13° 18' 51" W
L167	2.774	N12° 48' 13" E
L168	8.226	N13° 18' 51" E
L316	12.437	N13° 08' 52" E
L317	6.937	N76° 51' 08" W
L318	12.958	N13° 08' 52" E
L319	2.558	S76° 51' 08" E
L320	7.880	N13° 08' 52" E
L321	19.729	N76° 51' 08" W
L322	17.347	N13° 08' 52" E
L323	2.042	N76° 51' 08" W

LINE #	LENGTH	BEARING
L84	6.208	S28° 52' 55" W
L85	2.000	S61° 07' 05" W
L86	17.704	S28° 52' 55" W
L87	8.308	N66° 07' 05" W
L88	12.303	N66° 07' 05" W
L89	5.322	S23° 52' 55" W
L90	2.963	S66° 07' 05" E
L91	12.980	S23° 52' 55" W
L92	6.838	N66° 07' 05" W
L93	12.459	S23° 52' 55" W
L94	13.839	N66° 07' 05" W
L95	0.999	S23° 52' 55" W
L96	7.740	N66° 07' 05" W
L97	1.000	N23° 52' 55" E
L98	2.837	N66° 07' 05" W
L99	12.458	N23° 52' 55" E
L100	2.500	N66° 07' 05" W
L101	3.447	N25° 00' 53" E
L102	9.054	N23° 27' 02" E
L103	21.384	N66° 07' 05" W
L104	6.314	N66° 07' 05" W
L105	9.227	S23° 52' 55" W
L106	2.589	N66° 07' 05" W
L107	12.354	S23° 52' 55" W
L108	4.563	N66° 07' 05" W
L109	2.000	S23° 52' 55" W
L110	10.208	N66° 07' 05" W
L111	1.917	N23° 52' 55" E
L112	9.542	N66° 07' 05" W
L113	2.042	N66° 07' 05" W
L114	6.250	N23° 52' 55" E
L115	2.250	S66° 07' 05" E
L116	7.894	N23° 52' 55" E
L117	25.556	S61° 07' 05" E
L118	0.667	S23° 52' 55" W
L119	15.713	S66° 07' 05" E
L120	5.000	S23° 52' 55" W
L121	13.667	S66° 07' 05" E
L122	2.146	N23° 52' 55" E
L123	2.833	S66° 07' 05" E
L124	2.146	S23° 52' 55" W
L125	13.906	S66° 07' 05" E
L126	3.792	N23° 52' 55" E
L127	2.635	S66° 07' 05" E
L128	1.792	S23° 52' 55" W

LINE #	LENGTH	BEARING
L129	13.830	S66° 07' 05" E
L130	3.000	N23° 52' 55" E
L131	14.917	S66° 07' 05" E
L132	5.042	S23° 52' 55" W
L133	29.303	S66° 07' 05" E
L134	5.546	S28° 52' 55" W
L135	2.208	S61° 07' 05" E
L136	0.667	S23° 52' 55" W
L137	16.916	S66° 07' 05" E
L138	49.042	S23° 52' 55" W
L139	0.458	S66° 07' 05" E
L140	15.715	S23° 52' 55" W
L141	7.229	N66° 07' 05" W
L142	4.375	S23° 52' 55" W
L143	7.229	N66° 07' 05" W
L144	15.119	S23° 53' 36" W
L147	17.438	S66° 07' 05" E
L148	44.436	N23° 40' 01" E
L149	7.981	S23° 52' 55" W
L150	19.889	S66° 05' 07" E
L151	2.951	N23° 52' 55" E
L152	1.959	S23° 52' 55" W
L153	16.564	S66° 05' 08" E
L154	3.179	N22° 05' 35" E
L155	2.831	S23° 52' 55" W
L156	16.500	S66° 02' 15" E
L157	7.990	S23° 54' 53" W
L158	25.037	S61° 05' 07" E
L159	8.188	N23° 54' 53" E
L160	7.704	N23° 39' 29" E
L161	17.142	N65° 31' 40" W
L162	27.767	S66° 28' 31" E
L163	9.337	S66° 53' 43" E
L164	5.195	S23° 54' 53" W
L165	9.414	N66° 07' 05" W
L169	9.608	S66° 07' 05" E
L324	12.437	N23° 52' 55" E
L325	6.937	N66° 07' 05" W
L326	12.958	N23° 52' 55" E
L327	2.558	S66° 07' 05" E
L328	7.880	N23° 52' 55" E
L329	19.729	N66° 07' 05" W
L330	17.347	N23° 52' 55" E
L331	10.166	S61° 03' 45" E

**LEGEND**

- SECTION LINE
- CENTERLINE
- RIGHT-OF-WAY LINE
- PROPERTY BOUNDARY
- PUBLIC UTILITY EASEMENT (PUE)
- BUILDING TIES
- PRIVATE
- LIMITED COMMON AREA
- COMMON AREA



Prepared By:

CIVIL • LAND PLANNING  
MUNICIPAL • LAND SURVEYING  
5150 SOUTH 375 EAST OGDEN, UT  
OFFICE: 801.476.0202 FAX: 801.476.0066

www.gardnerengineering.net

**COUNTY RECORDER**

ENTRY NO. \_\_\_\_\_ FEE PAID \_\_\_\_\_

RECORDED \_\_\_\_\_ AT \_\_\_\_\_

IN \_\_\_\_\_ BOOK OF OFFICIAL RECORDS, PAGE \_\_\_\_\_, RECORDED \_\_\_\_\_

FOR \_\_\_\_\_

BY: \_\_\_\_\_ COUNTY RECORDER

DEPUTY \_\_\_\_\_