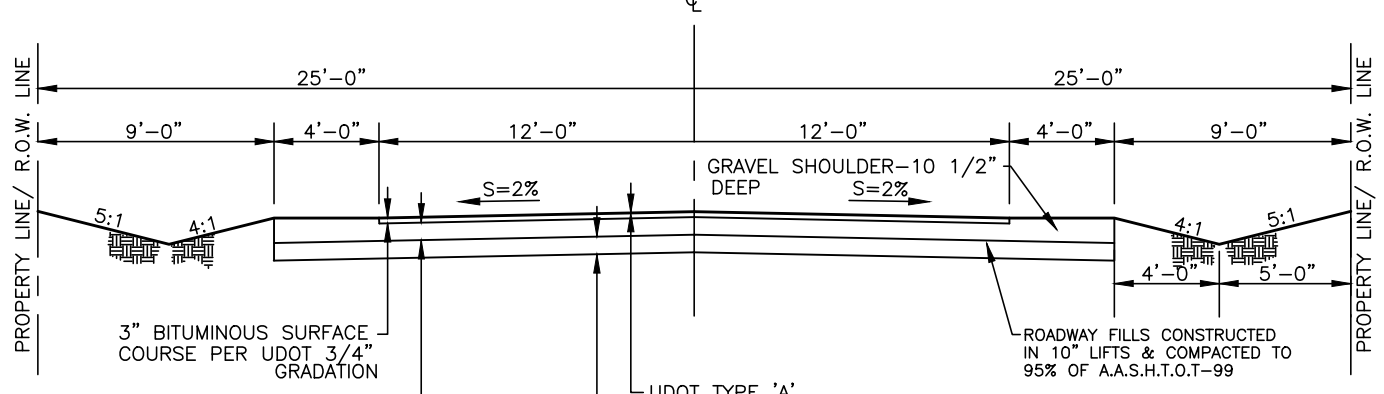
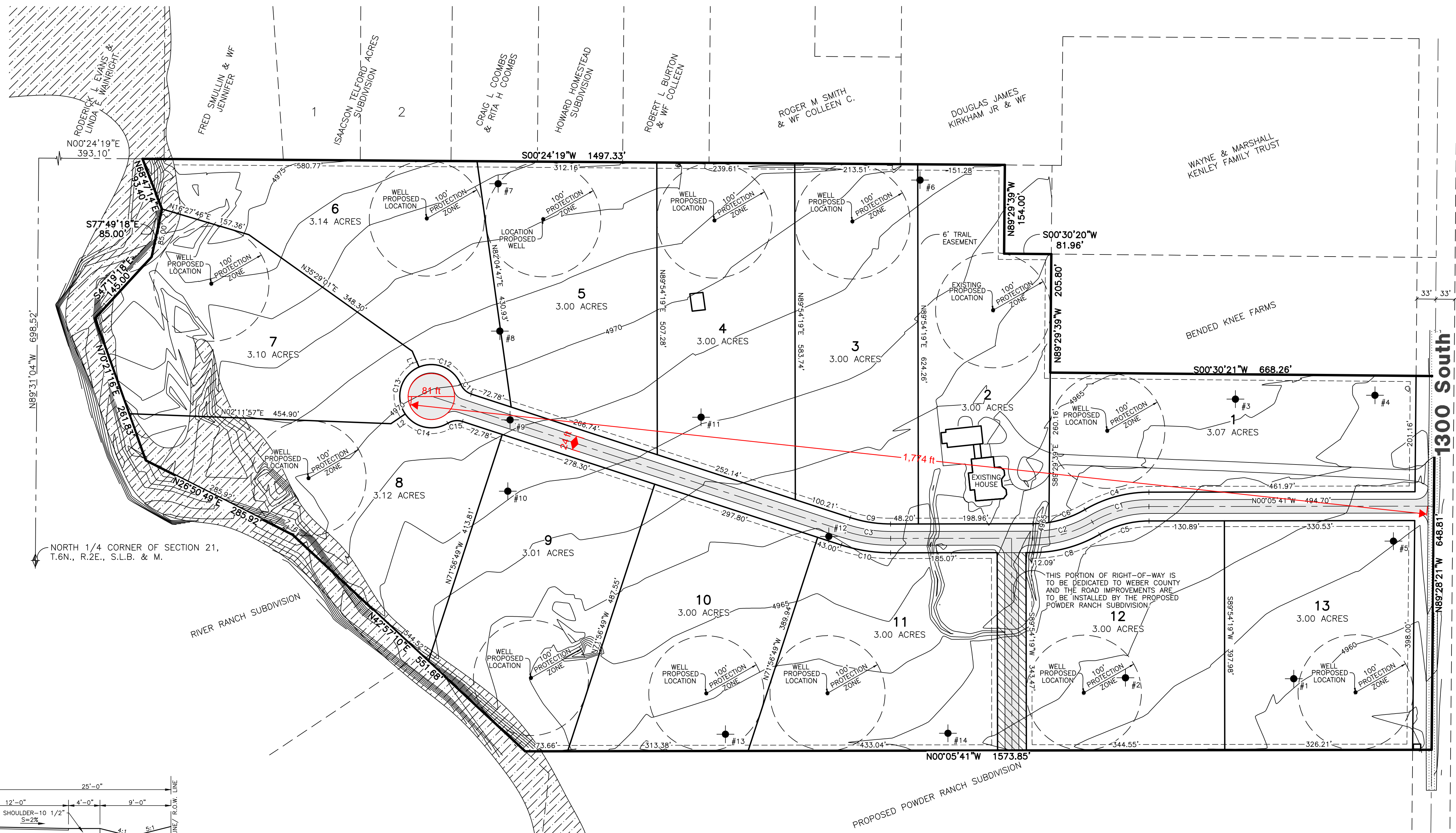




Vicinity Map

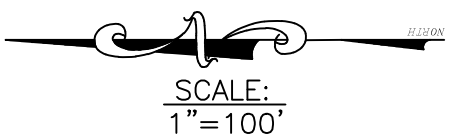


Street Section (50' R.O.W.)

- Legend**
- = TEST PIT LOCATION
 - = PROPOSED FEMA FLOOD PLAIN
 - = EXISTING ASPHALT SURFACE
 - = PROPOSED ASPHALT SURFACE

Line Data

LINE	BEARING	DISTANCE
L1	N66°57'31"E	30.00'
L2	S34°09'06"E	30.00'



Curve Data

#	RADIUS	ARC LENGTH	CHD LENGTH	TANGENT	CHD BEARING	DELTA
C1	195.00'	102.99'	101.80'	52.73'	N15°13'30"W	30°15'38"
C2	205.00'	108.27'	107.02'	55.43'	S15°13'30"E	30°15'38"
C3	250.00'	79.19'	78.86'	39.93'	S08°58'45"W	18°08'53"
C4	220.00'	116.19'	114.85'	59.49'	N15°13'30"W	30°15'38"
C5	170.00'	89.78'	88.74'	45.97'	N15°13'30"W	30°15'38"
C6	180.00'	67.18'	66.79'	33.99'	S19°39'47"E	21°23'05"
C7	180.00'	27.88'	27.86'	13.97'	S04°31'58"E	8°52'33"
C8	230.00'	121.47'	120.07'	62.19'	S15°13'30"E	30°15'38"
C9	225.00'	71.27'	70.97'	35.93'	S08°58'45"W	18°08'53"
C10	275.00'	87.10'	86.74'	43.92'	S08°58'45"W	18°08'53"
C11	30.00'	26.01'	25.21'	13.89'	S42°53'35"W	49°40'47"
C12	55.00'	87.14'	78.31'	55.75'	N22°20'45"E	90°46'28"
C13	55.00'	97.06'	84.95'	66.85'	N73°35'48"W	101°06'37"
C14	55.00'	83.97'	76.05'	52.63'	S12°06'39"W	87°28'30"
C15	30.00'	26.01'	25.21'	13.89'	N06°47'12"W	49°40'47"

APPROVED WITH CONDITIONS
WEBER FIRE DISTRICT
 11/14/2013 12:33:46 PM

1. For structures over 5000 square feet in area, the water supply must meet the requirements for fire flow and duration OR they must be provided with an NFPA 13D or 13R fire suppression system.

Developer:
 Matt Lowe
 6028 S. Ridgeline Dr., Ste. 100
 South Ogden, UT. 84405
 (801) 645-1044

Silver Summit Estates

Weber County, Utah

NOTES:
 1. CONTOURS ARE SHOWN WITH A ONE FOOT INTERVAL.



REVISIONS

DATE	DESCRIPTION
9-27-13	REDESIGN LAYOUT FOR STUB

Silver Summit Estates
 WEBER COUNTY, UTAH
Preliminary Plan



Project Info.
 Engineer: N. Reeve
 Designer: C. Cave
 Begin Date: September 18, 2013
 Name: Silver Summit Estates
 Number: 4825-08

Revised: November 4, 2013