

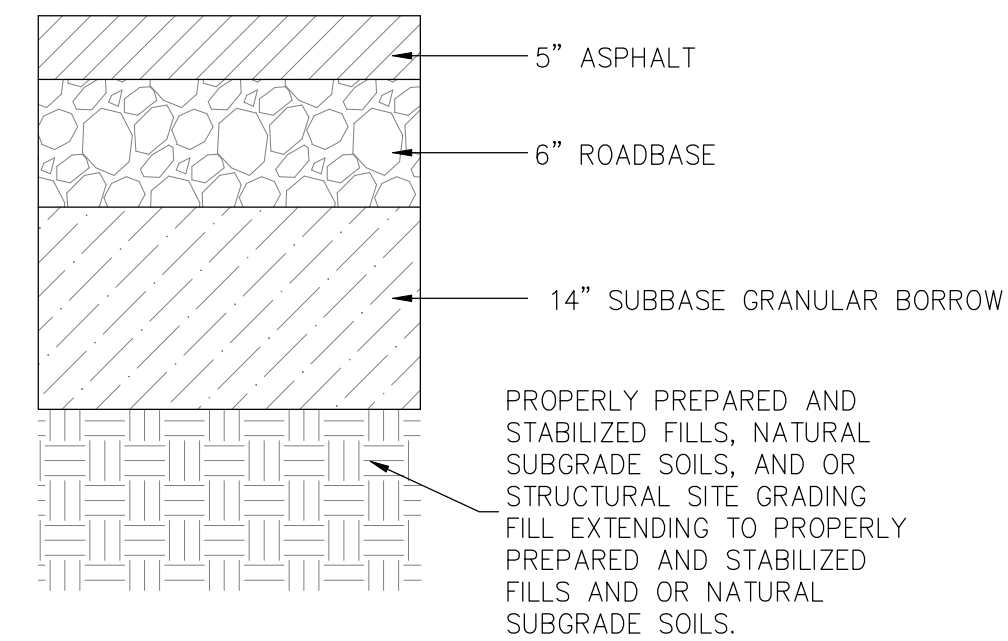


HOWARD INDUSTRIAL
DETAILS
WEBER COUNTY, UTAH

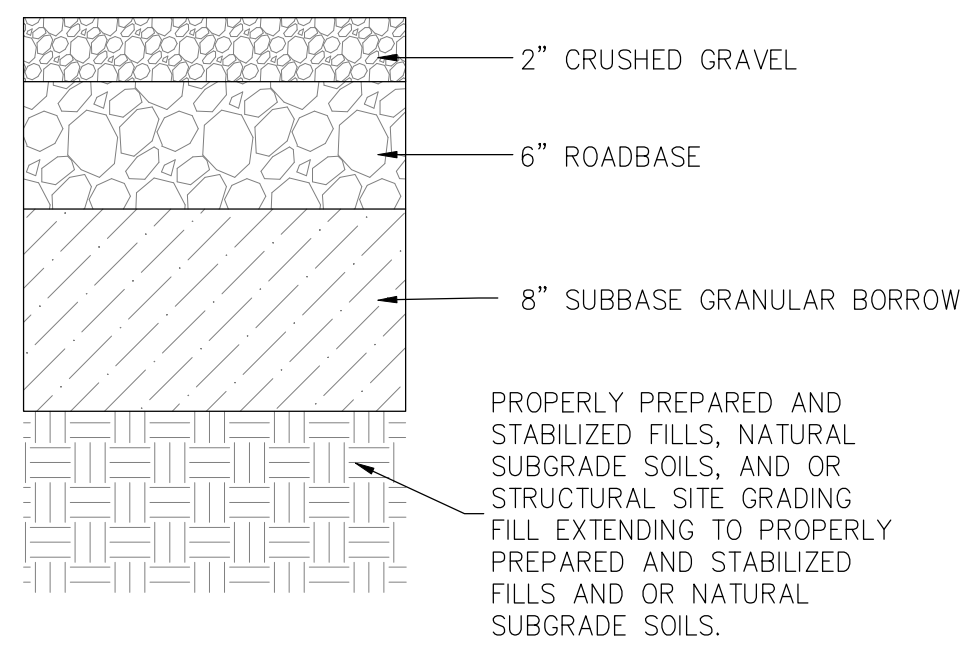
TWIN PEAKS
Engineering & Land Surveying
2264 NORTH 1450 EAST LEHI, UTAH 84043
(801) 450-3511

DWG DATE: April 2023
PLOT DATE: 25 April 2023

SHEET
5

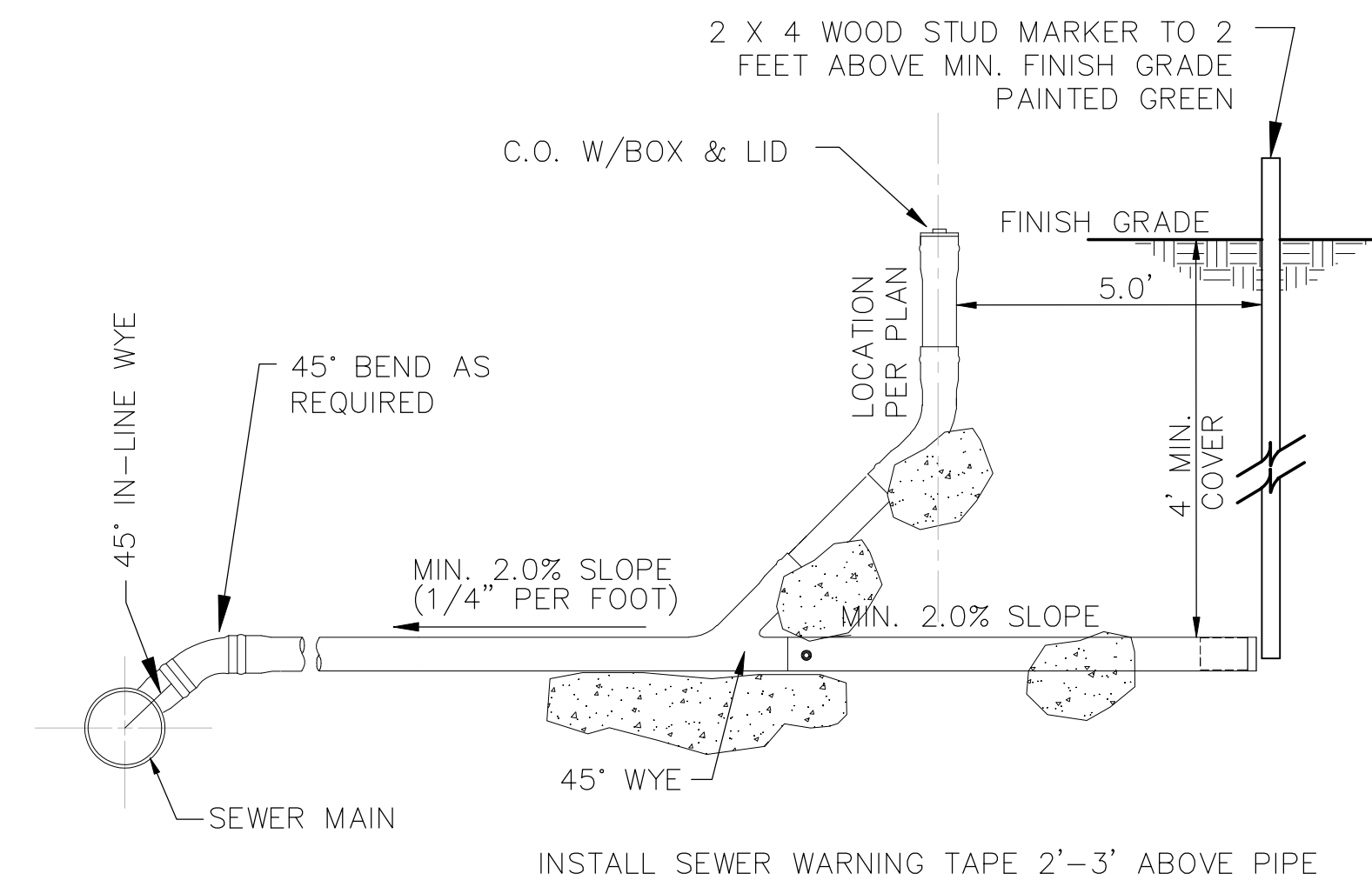


SECTION ONE

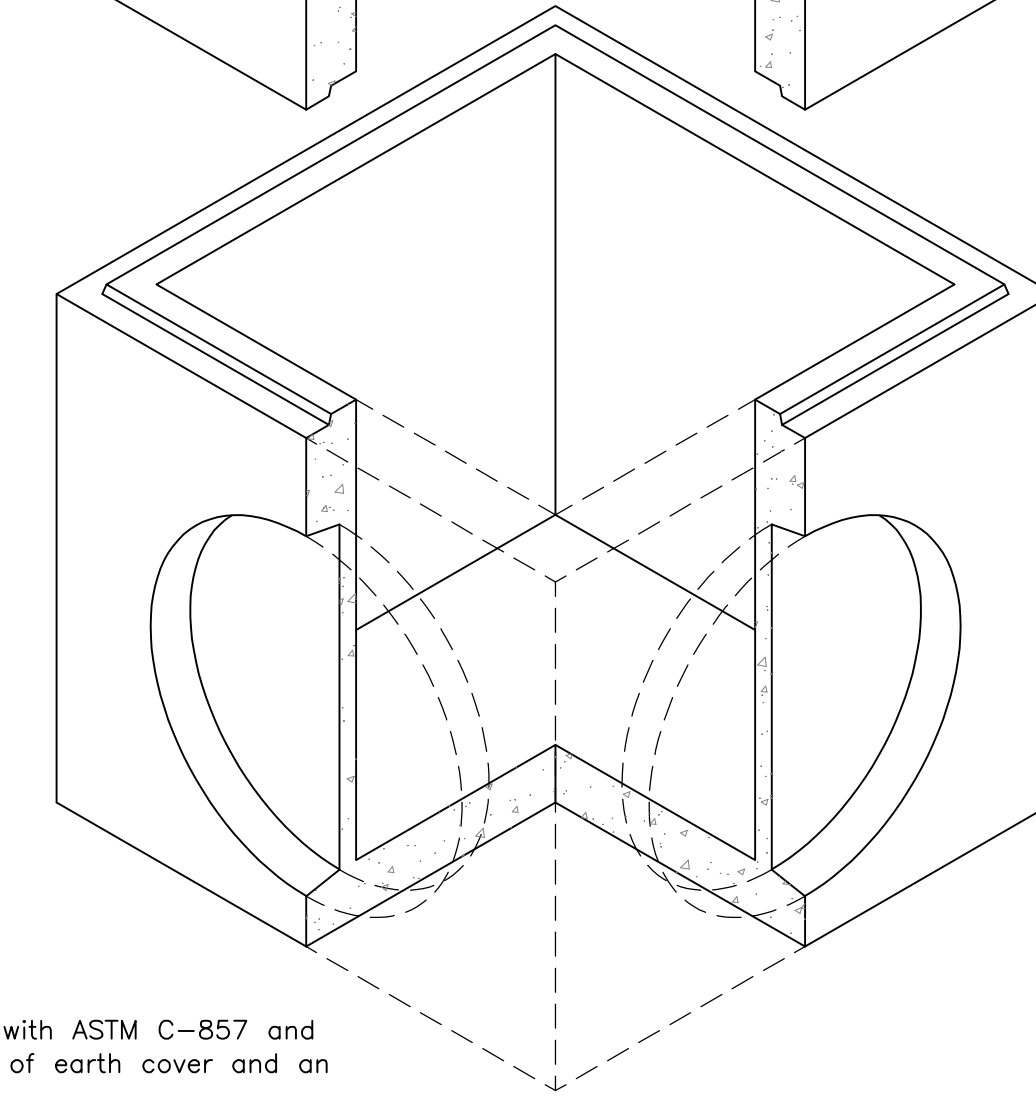
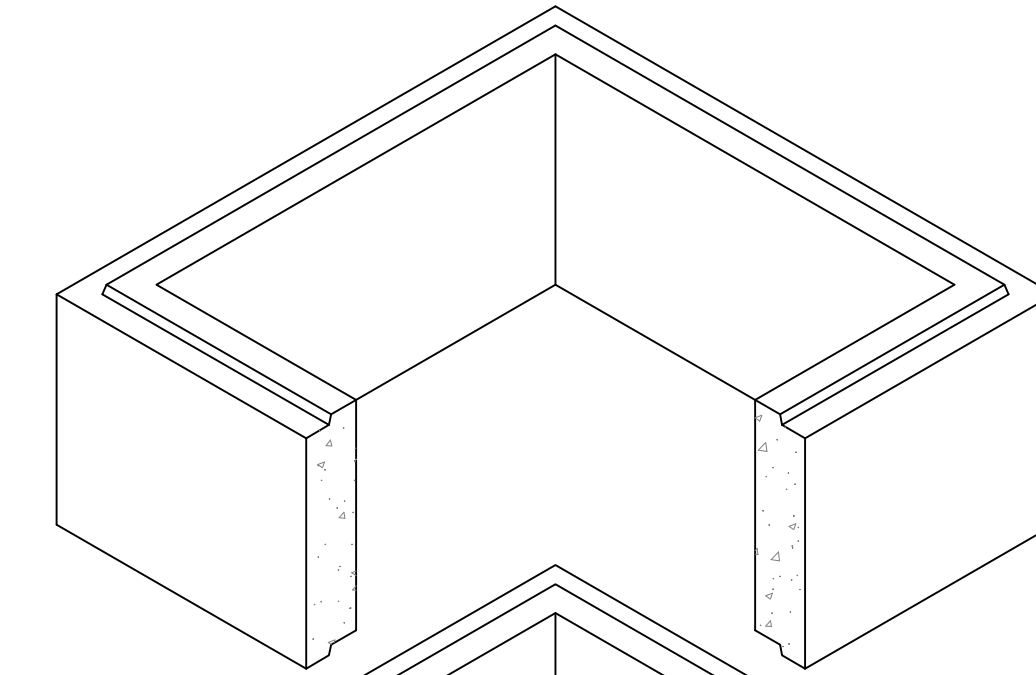
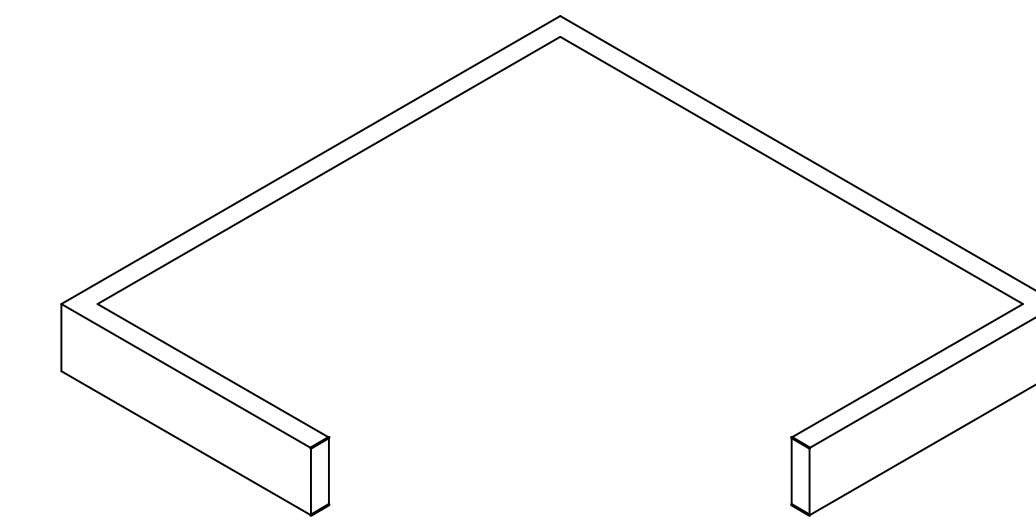


SECTION TWO

ROAD STRUCTURAL SECTION
N.T.S.

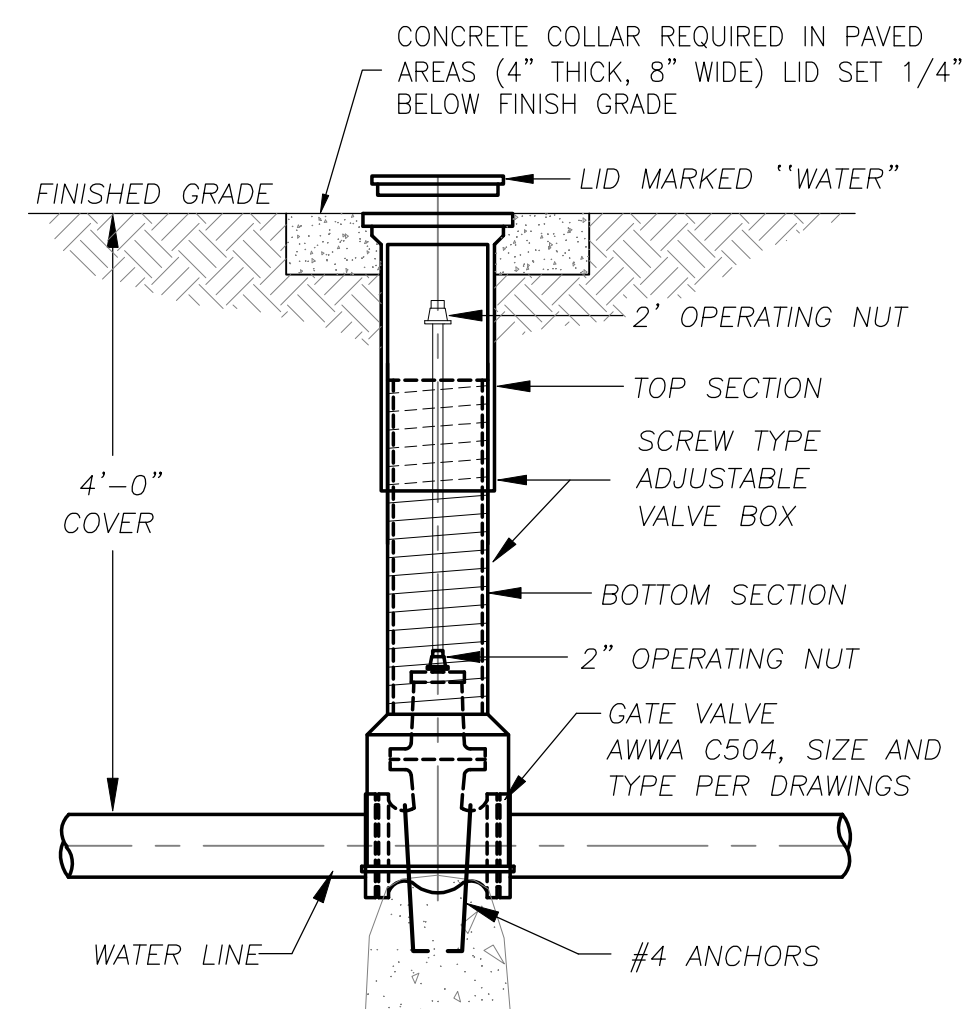


SERVICE CONNECTION TO EXISTING SEWER MAIN
NOT TO SCALE

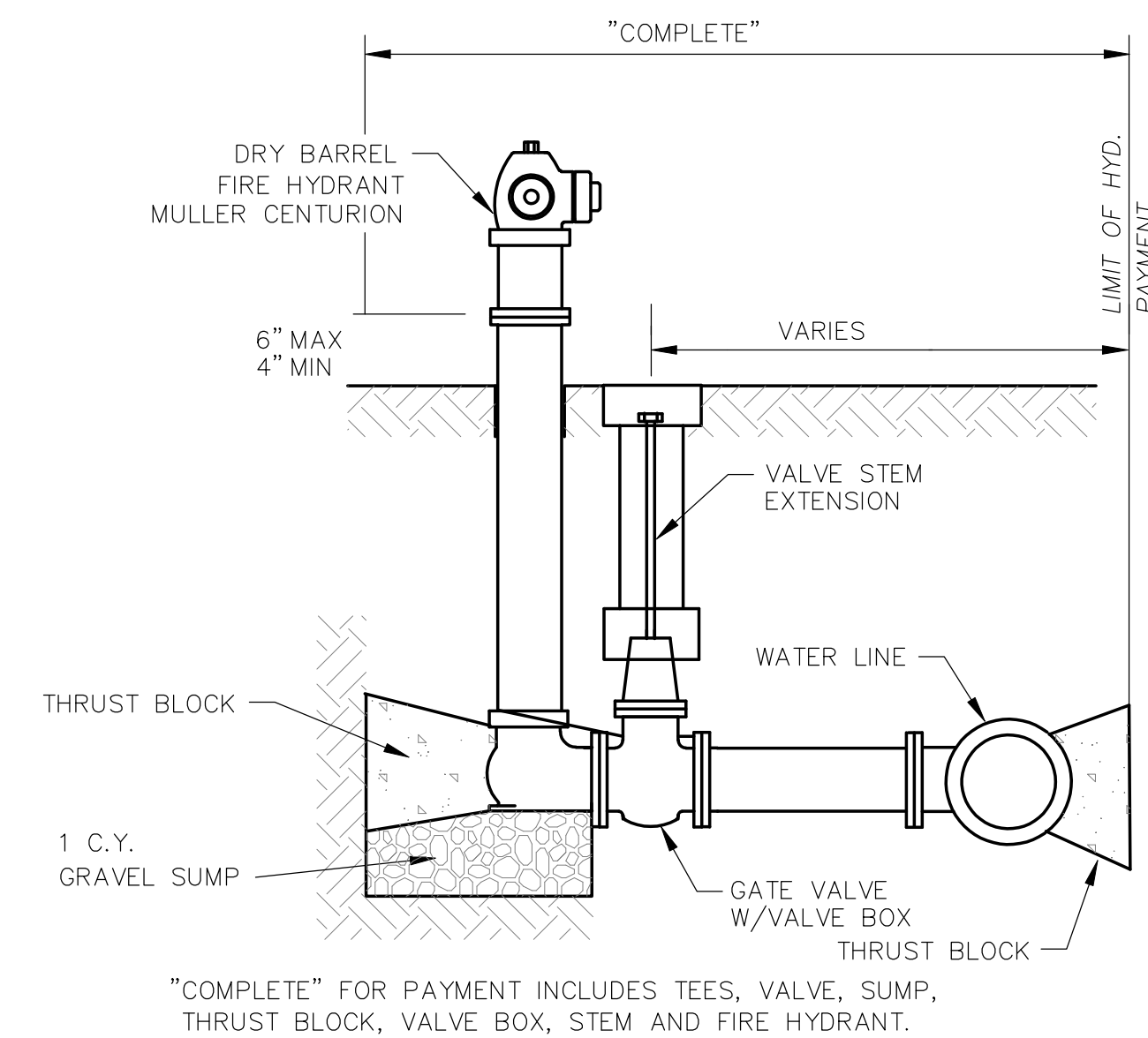


NOTES:
1. Vault design complies with ASTM C-857 and C-858 with less than 2' of earth cover and an AASHTO HS-20 loading.
2. Lifting insert type and location may change without notice.

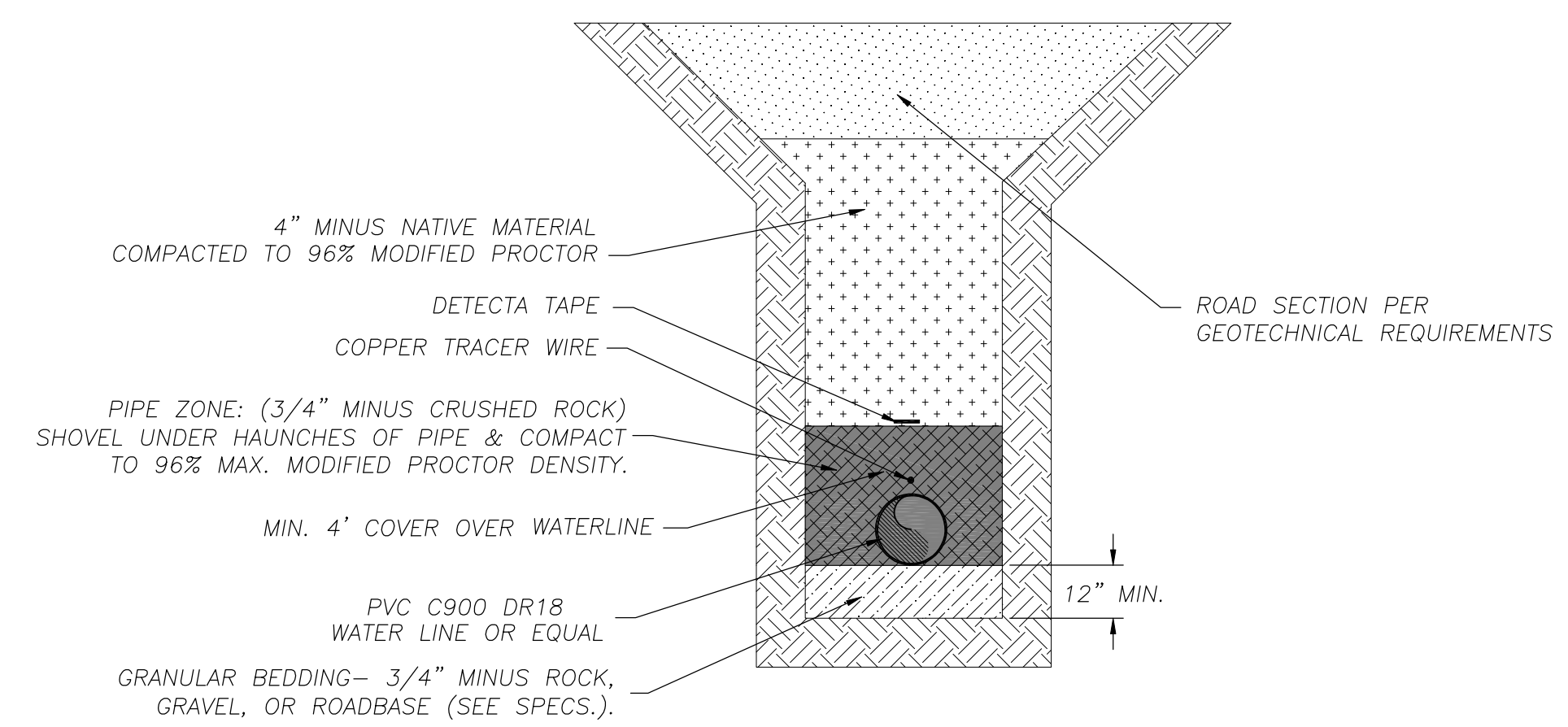
4x4 or 3x3 CATCH BASIN DETAIL
NOT TO SCALE



TYPICAL VALVE BOX DETAIL
N.T.S.



TYPICAL FIRE HYDRANT INSTALLATION
NOT TO SCALE



TYPICAL WATER TRENCH DETAIL
NOT TO SCALE