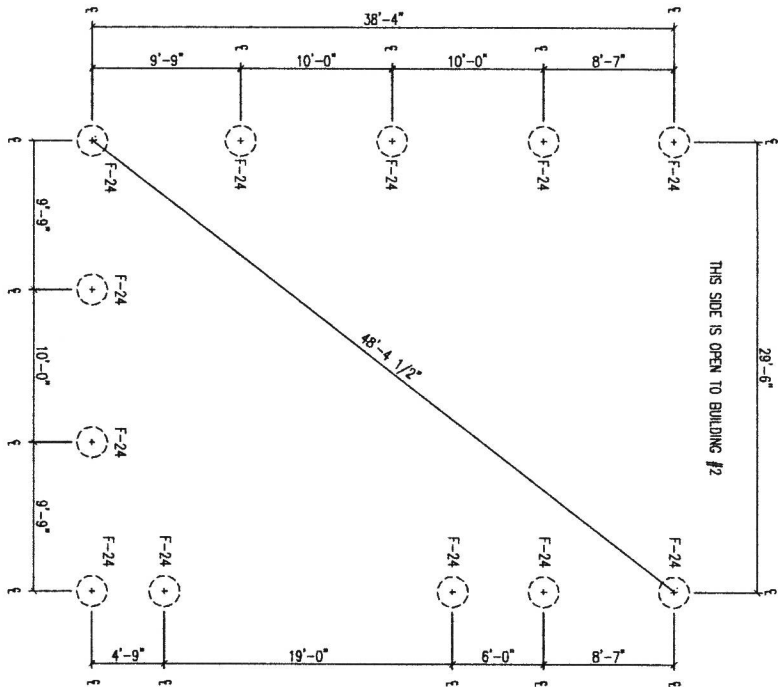


FOUNDATION PLAN

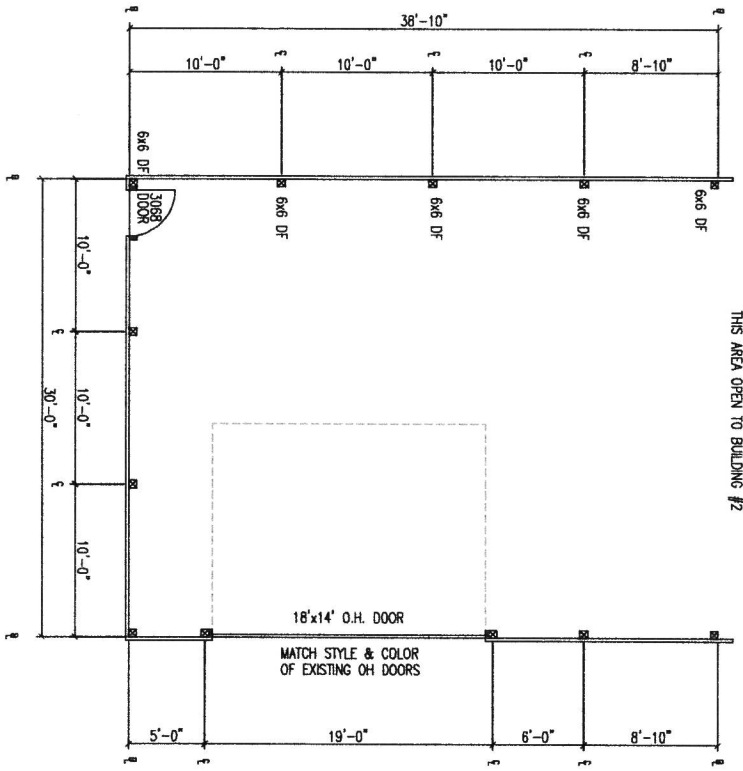


F-24:
 24" DIA. X 40" DEEP CONCRETE FOOTING.
 EMBED COLUMN INTO FOOTING.
 SEE DETAIL 4 ON SHEET 6

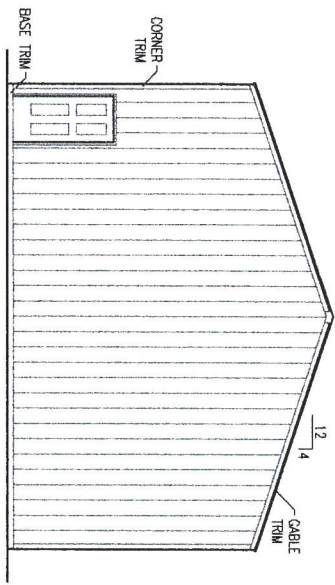
F-305:
 30" DIA. X 48" DEEP CONCRETE FOOTING.
 EMBED COLUMN INTO FOOTING.
 SEE DETAIL 4 ON SHEET 6

SKIDMORE3 BUILDING 2139 SOUTH 4300 WEST TAYLOR, UTAH	ROPER BUILDINGS DAN SCARBROUGH (801) 540-5586	WILDING ENGINEERING 14721 HERITAGE CREST WAY BLUFFDALE, UTAH (801) 533-8112
DATE: 11-18-13 SCALE: 1/8"=1'-0" JOB: SKIDMORE3 SHEET:	01	

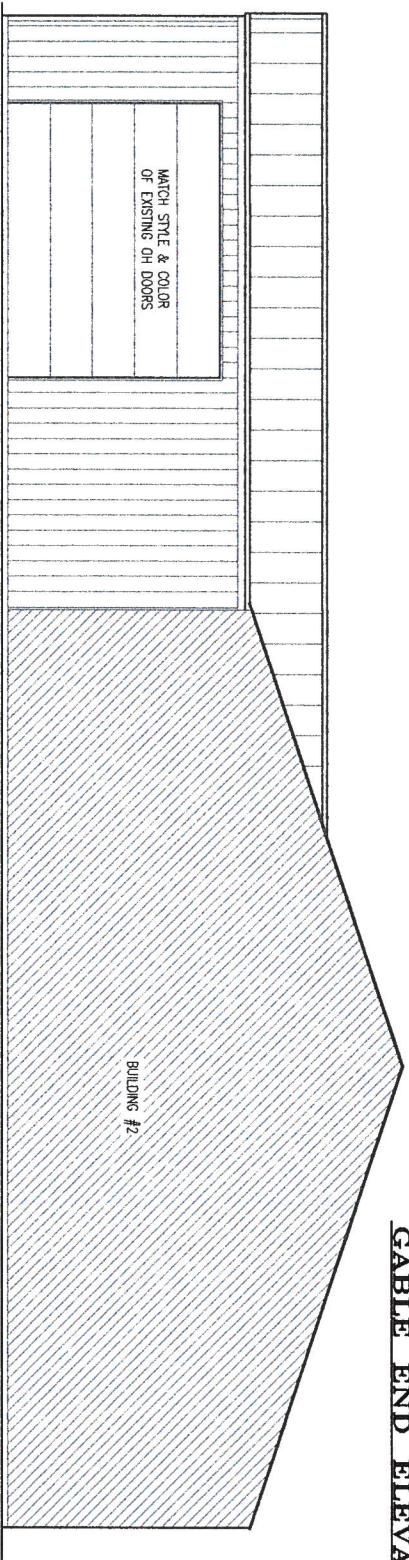
FLOOR PLAN
1200 COVERED SQ. FT.



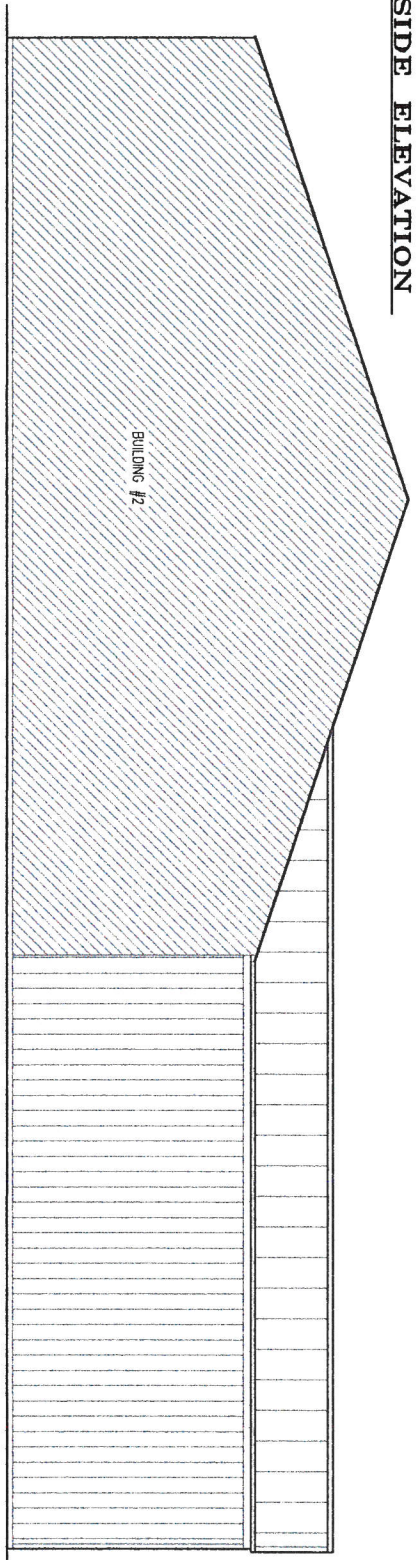
6x6 DF: 6x6 DF FULL DIMENSION F/ISS TREATED W/ST. EMBED IN CONCRETE PER. SEE DETAIL 4 ON SHEET 6.
 6x8 DF: 6x8 DF FULL DIMENSION F/ISS TREATED W/ST. EMBED IN CONCRETE PER. SEE DETAIL 4 ON SHEET 6.
 ALL TREATED WOOD TO BE RATED PER APPROPRIATE PERMANENT FOUNDATION USE W/ A O4 OR O3 T&S SPEC.



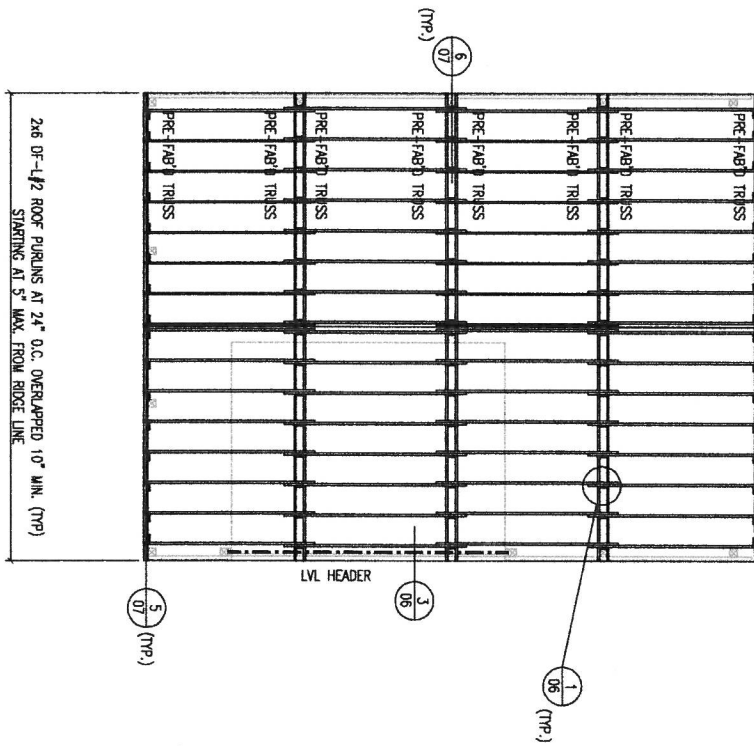
GABLE END ELEVATION



SIDE ELEVATION



SIDE ELEVATION



ROOF PLAN