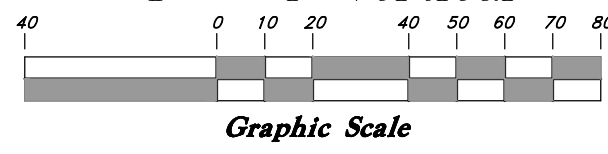


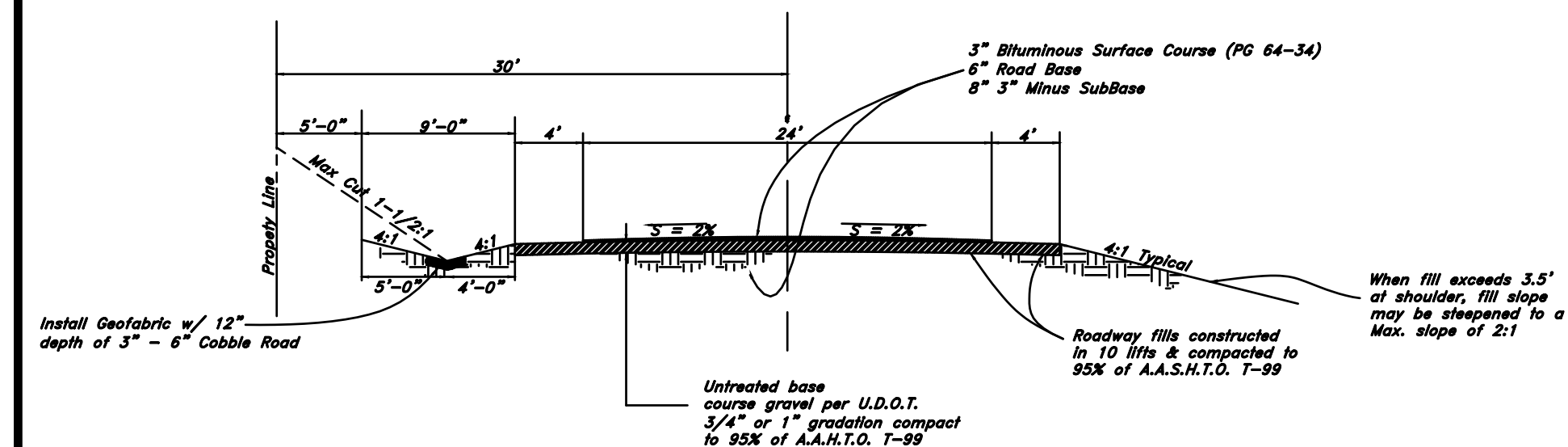
Scale:  
1" = 40' Horiz.  
1" = 4' Vertical



### Legend

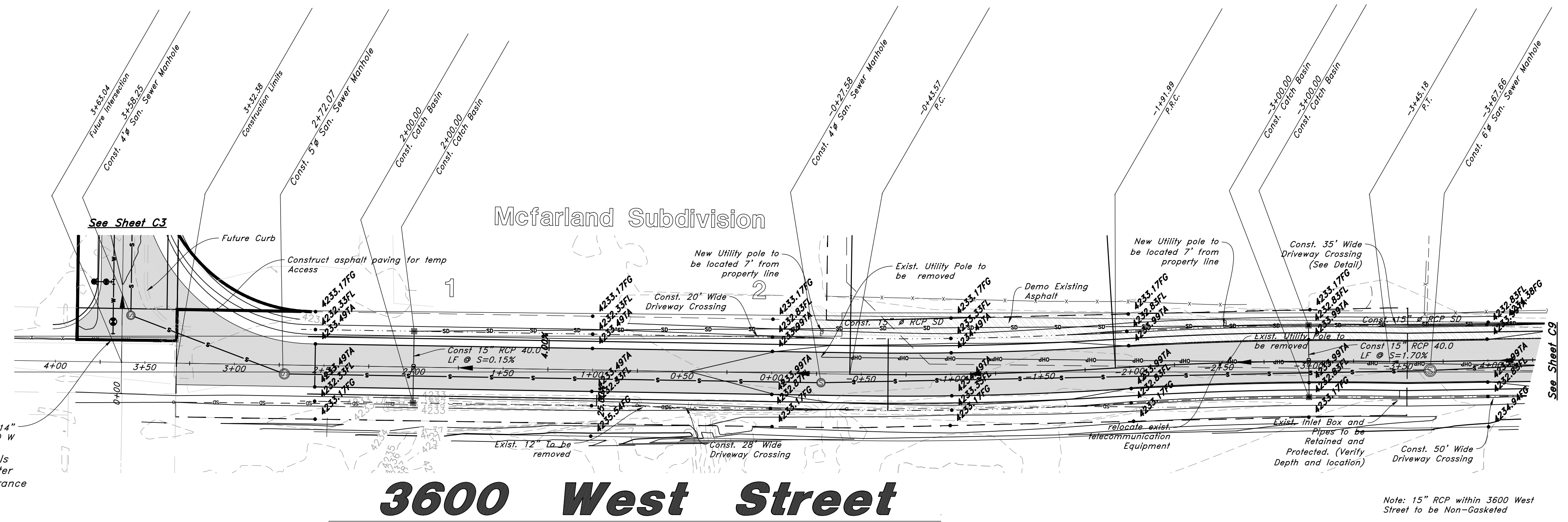
(Note: All items may not appear on drawing)

- San. Sewer Manhole
- Water Manhole
- Storm Drain Manhole
- Cleanout
- Electrical Manhole
- Catch Basins
- Exist. Fire Hydrant
- Exist. Water Valve
- Water Valve
- Sanitary Sewer
- Culinary Water
- Gas Line
- Irrigation Line
- Storm Drain
- Telephone Line
- Secondary Waterline
- Power Line
- Fire Line
- Land Drain
- Power pole
- Power pole w/guy
- Light Pole
- Fence
- Flowline of ditch
- Overhead Power line
- Corrugated Metal Pipe
- Concrete Pipe
- Reinforced Concrete Pipe
- Ductile Iron
- PVC
- Top of Asphalt
- Edge of Asphalt
- Centerline
- Flowline
- Finish Floor
- Top of Curb
- Top of Wall
- Top of Walk
- Top of Concrete
- Natural Ground
- Finish Grade
- Match, Existing
- Fire Department Connection
- Finish Contour
- Exist. Contour
- Finish Grade
- Exist. Grade
- Ridge Line
- Existing Asphalt
- New Asphalt
- Heavy Duty Asphalt
- Existing Concrete
- New Concrete
- Spill Curb & Gutter
- Existing Gravel

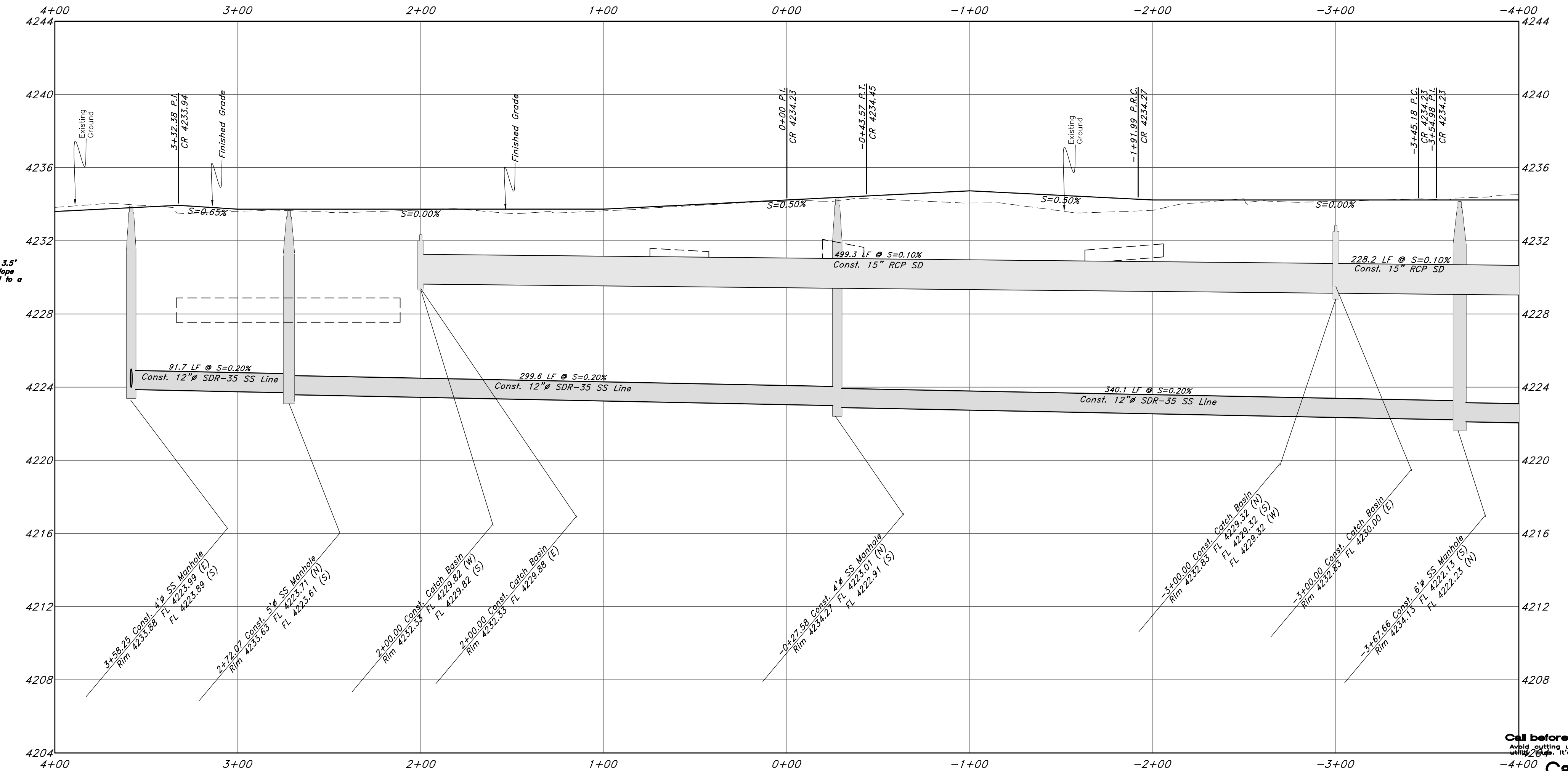


### Standard Rural Roadway Section

Not to Scale



NOTES:  
1. All sewer mains and laterals crossing under culinary water with less than 18" of clearance shall be sleeved per TWW standard drawings



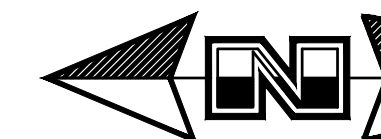
Call before you Dig  
Avoid cutting underground utilities.



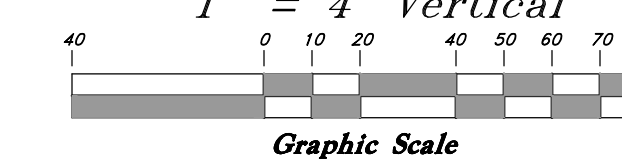
**GREAT BASIN ENGINEERING**  
 574 SOUTH 1475 EAST, BOONVILLE, UTAH 84403  
 801-392-7544  
 WWW.GREATBASINENGINEERING.COM

**Plan & Profile**  
**Terakee Farm PRUD No. 1**  
 Approximately 1000 North 3600 West  
 Weber County, Utah  
 A part of Section 9, T6N, R2W, SLB&M, U.S. Survey

June 2022  
 SHEET NO. **C8**  
 of 11  
 16N704 - AM-1



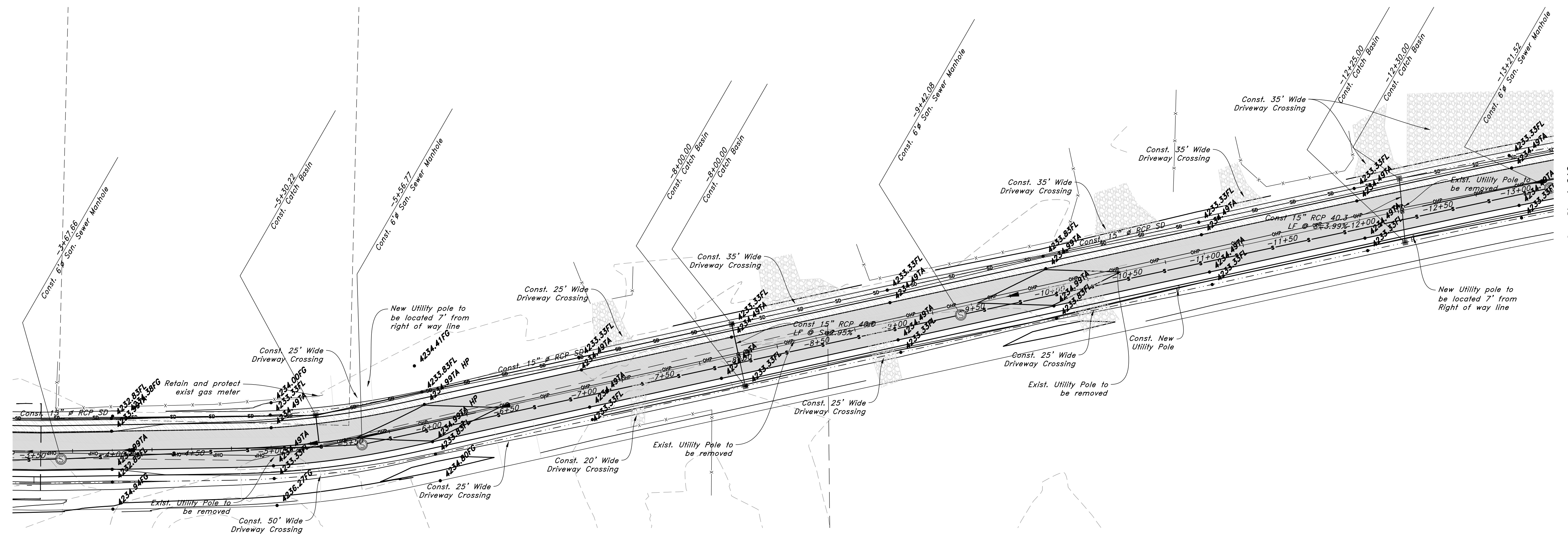
Scale:  
1" = 40' Horiz.  
1" = 4' Vertical



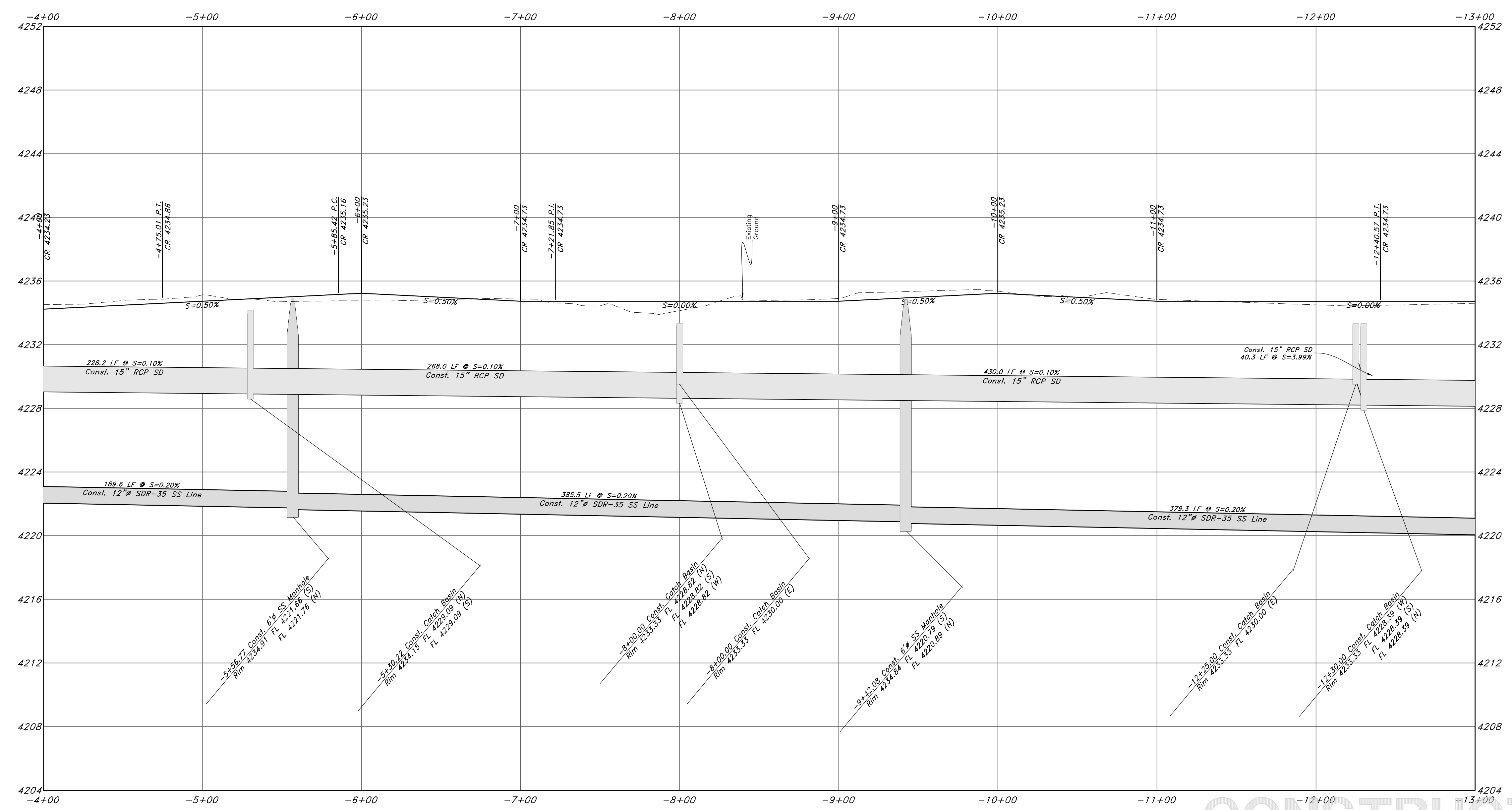
### Legend

(Note: All items may not appear on drawing)

- San. Sewer Manhole
- Water Manhole
- Storm Drain Manhole
- Cleanout
- Electrical Manhole
- Catch Basins
- Exist. Fire Hydrant
- Fire Hydrant
- Exist. Water Valve
- Water Valve
- Sanitary Sewer
- Culinary Water
- Gas Line
- Irrigation Line
- Storm Drain
- Telephone Line
- Secondary Waterline
- Power Line
- Fire Line
- Land Drain
- Power pole
- Power pole w/guy
- Light Pole
- Fence
- Flowline of ditch
- Overhead Power line
- Corrugated Metal Pipe
- Concrete Pipe
- Reinforced Concrete Pipe
- Ductile Iron
- Polyvinyl Chloride
- Top of Asphalt
- Edge of Asphalt
- Centerline
- Flowline
- Finish Floor
- Top of Curb
- Top of Wall
- Top of Walk
- Top of Concrete
- Natural Ground
- Finish Grade
- Match Existing
- Fire Department Connection
- Finish Contour
- Exist. Contour
- Finish Grade
- Exist. Grade
- Ridge Line



## 3600 West Street

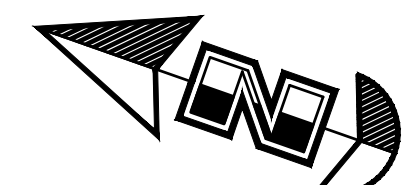


**GREAT BASIN ENGINEERING**  
 574 SOUTH 1475 EAST, SUITE 100, SALT LAKE CITY, UTAH 84143  
 WWW.GREATBASINENGINEERING.COM

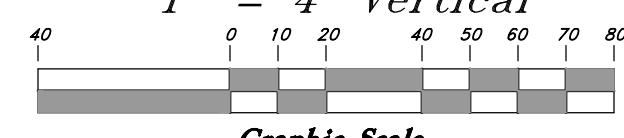
**Plan & Profile**  
**Terakee Farm PRUD No. 1**  
 Approximately 1000 North 3600 West  
 Weber County, Utah  
 A part of Section 9, T6N, R2W, SLB&M, U.S. Survey

June 2022  
 SHEET NO. **C9**  
 of 11  
 16N704 - AM-1

CONSTRUCTION SERVICES  
 Call before you Dig  
 Avoid cutting underground utility lines. It's the easy way.



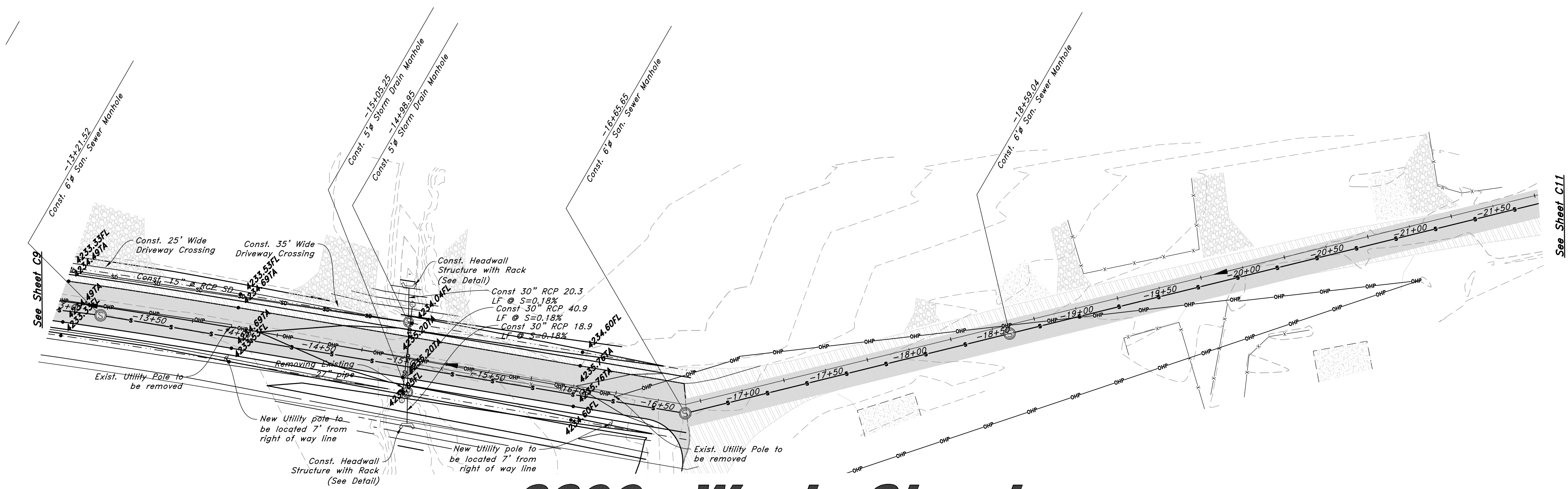
Scale:  
1" = 40' Horiz.  
1" = 4' Vertical



### Legend

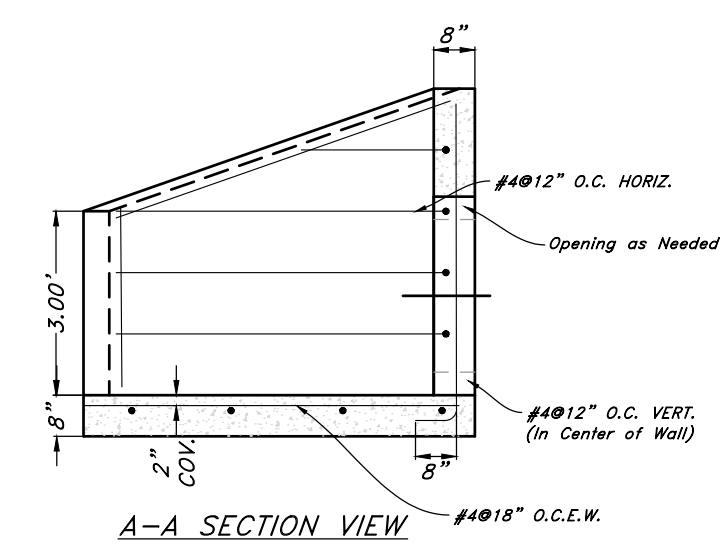
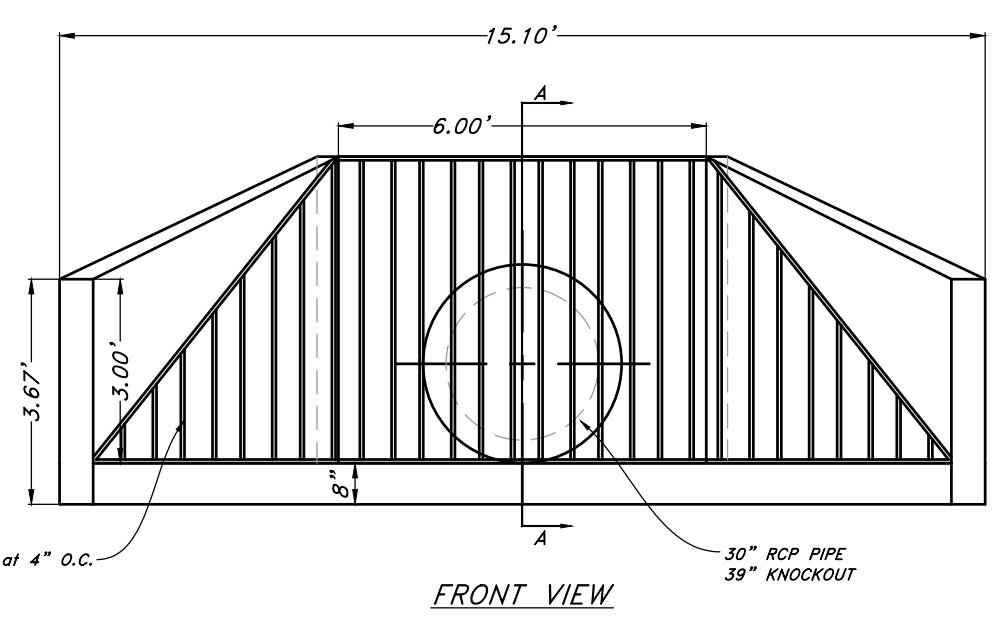
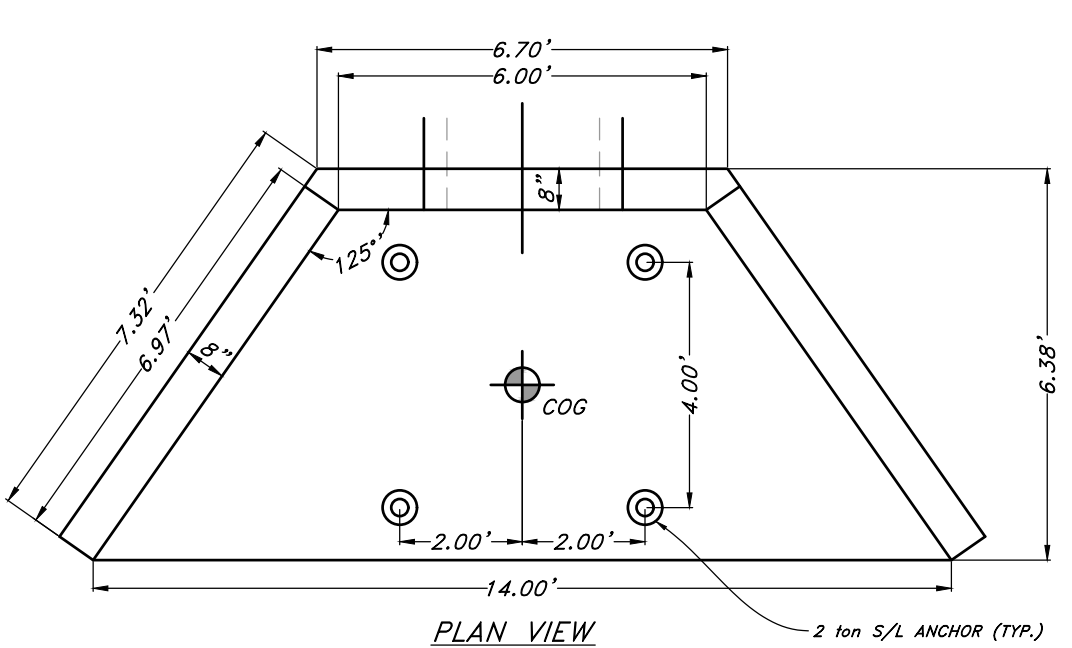
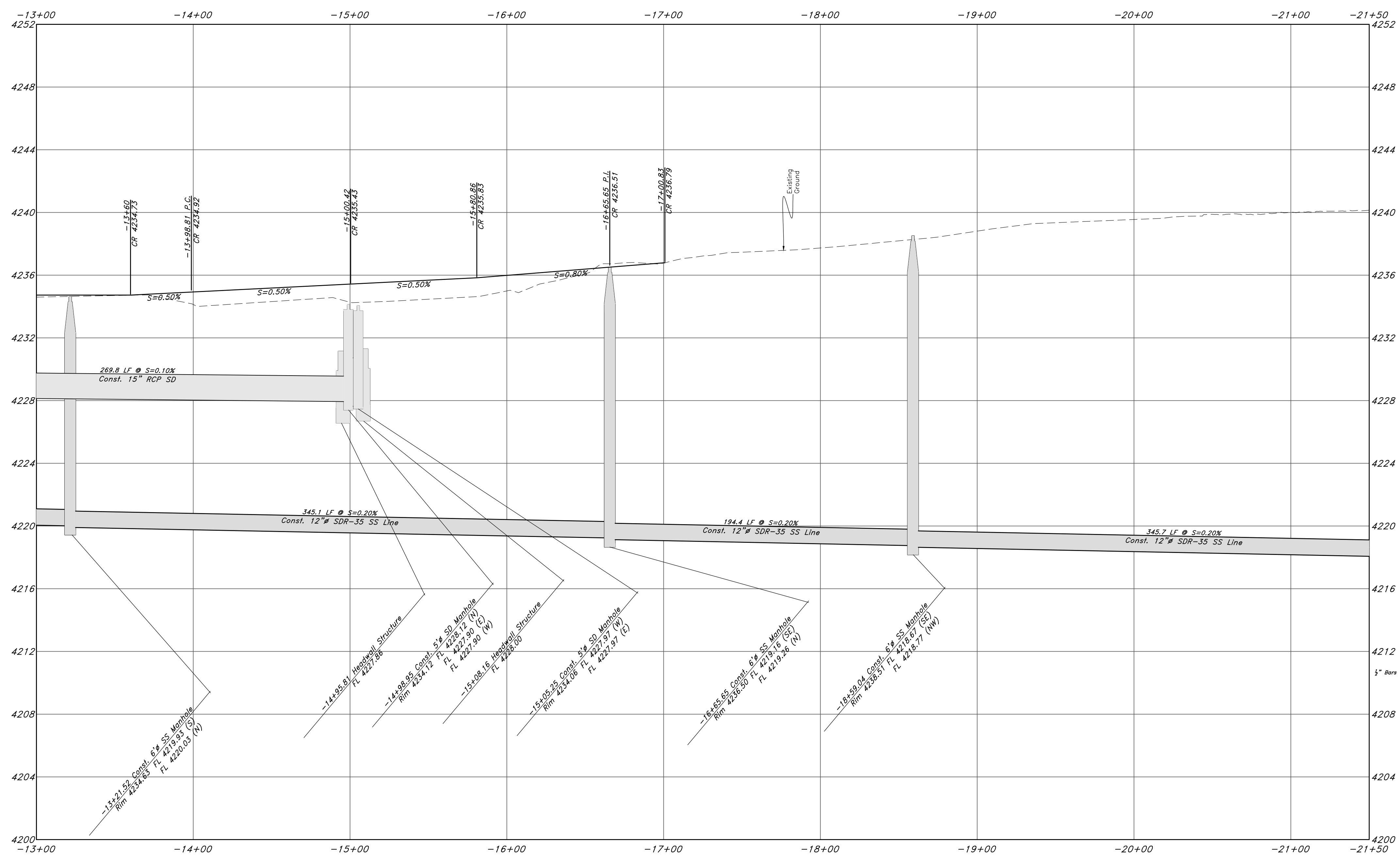
(Note: All items may not appear on drawing)

- San. Sewer Manhole
- Water Manhole
- Storm Drain Manhole
- Cleanout
- Electrical Manhole
- Catch Basins
- Exist. Fire Hydrant
- Fire Hydrant
- Exist. Water Valve
- Water Valve
- Sanitary Sewer
- Culinary Water
- Gas Line
- Irrigation Line
- Storm Drain
- Telephone Line
- Secondary Waterline
- Power Line
- Fire Line
- Land Drain
- Power pole
- Power pole w/guy
- Light Pole
- Fence
- Flowline of ditch
- Overhead Power line
- Corrugated Metal Pipe
- Concrete Pipe
- Reinforced Concrete Pipe
- Ductile Iron
- Polyvinyl Chloride
- Top of Asphalt
- Edge of Asphalt
- Centerline
- Flowline
- Finish Floor
- Top of Curb
- Top of Wall
- Top of Walk
- Top of Concrete
- Natural Ground
- Finish Grade
- Match Existing
- Fire Department Connection
- Finish Contour
- Exist. Contour
- Finish Grade
- Exist. Grade
- Ridge Line



## 3600 West Street

Note: 15" RCP within 3600 West Street to be Non-Gasketed



HEADWALL STRUCTURE WITH TRASHRACK

Call before you Dig  
Avoid cutting underground utility lines. It's the easy way.



**GREAT BASIN ENGINEERING**  
574 SOUTH 1475 EAST, SUITE 100, BOULDER, UTAH 84103  
WWW.GREATBASINENGINEERING.COM

**Plan & Profile**  
**Terakee Farm PRUD No. 1**  
Approximately 1000 North 3600 West  
Weber County, Utah  
A part of Section 9, T6N, R2W, SLB&M, U.S. Survey

June 2022  
SHEET NO.  
**C10**  
of 11  
16N704 - AM-1

CONSTRUCTION SERVICES