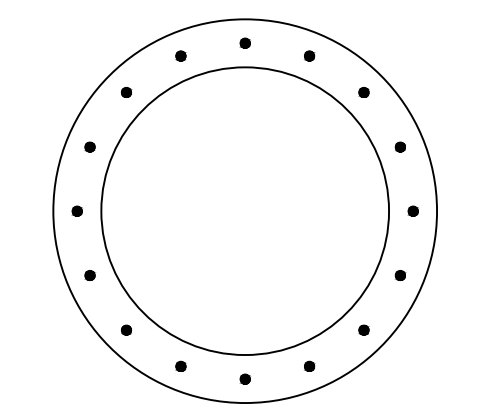


1246 E Driggs Ave
SLC, UT 84106
isaac@recivil.com (801) 860-2191

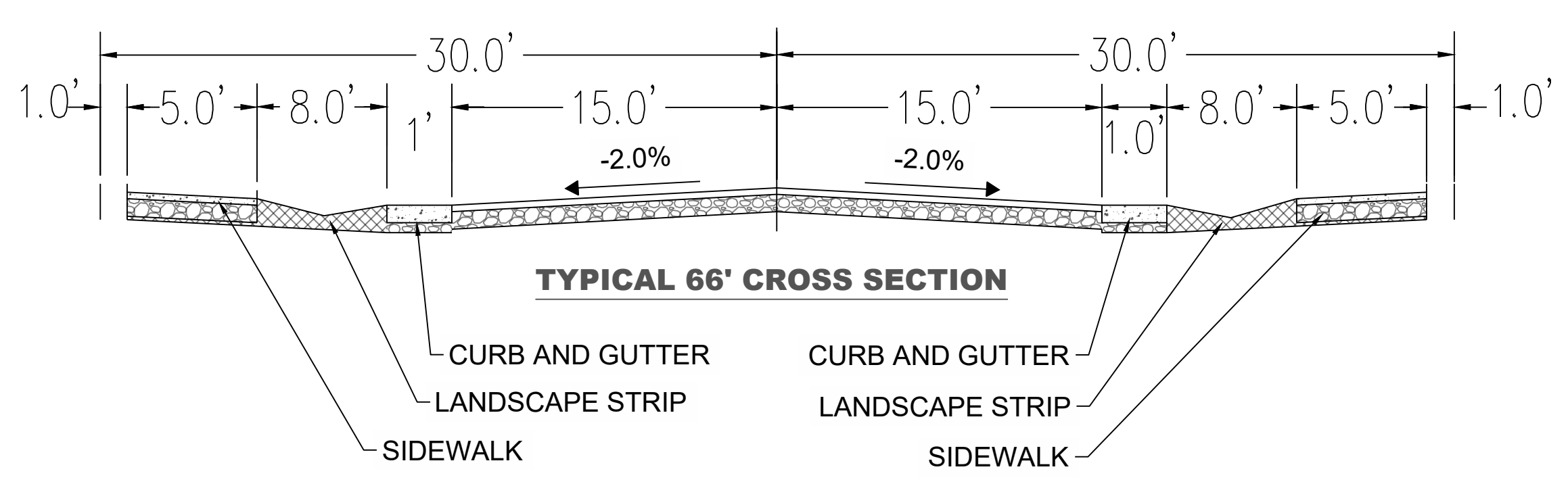


SINGLETREE ACRES
2205 SOUTH 4520 WEST
TAYLOR, UTAH

TYP. PUE & SETBACKS

PARCEL ID: 15-080-0008
CURRENT PROPERTY ZONE: A-1
PROPOSED PROPERTY ZONE: MEDIUM DENSITY

FRONT SETBACK 30.0 FT
SIDE SETBACK 12.0 FT
REAR SETBACK 30.0 FT
FRONT PUE & DE 10 Ft



LOT AREAS			
LOT #	AREA	LOT #	AREA
LOT 1	16,780.30 SQ FT (0.39 ACRES)	LOT 14	13,639.32 SQ FT (0.31 ACRES)
LOT 2	34,648.30 SQ FT (0.80 ACRES)	LOT 15	14,927.49 SQ FT (0.34 ACRES)
LOT 3	13,950.90 SQ FT (0.32 ACRES)	LOT 16	11,329.82 SQ FT (0.26 ACRES)
LOT 4	12,349.75 SQ FT (0.28 ACRES)	LOT 17	11,330.62 SQ FT (0.26 ACRES)
LOT 5	12,348.80 SQ FT (0.28 ACRES)	LOT 18	11,331.41 SQ FT (0.26 ACRES)
LOT 6	12,825.42 SQ FT (0.29 ACRES)	LOT 19	11,332.22 SQ FT (0.26 ACRES)
LOT 7	12,821.37 SQ FT (0.29 ACRES)	LOT 20	11,333.10 SQ FT (0.26 ACRES)
LOT 8	11,315.18 SQ FT (0.26 ACRES)	LOT 21	11,334.01 SQ FT (0.26 ACRES)
LOT 9	11,319.41 SQ FT (0.26 ACRES)	LOT 22	11,334.90 SQ FT (0.26 ACRES)
LOT 10	11,323.33 SQ FT (0.26 ACRES)	LOT 23	11,335.70 SQ FT (0.26 ACRES)
LOT 11	11,327.25 SQ FT (0.26 ACRES)	LOT 24	11,336.49 SQ FT (0.26 ACRES)
LOT 12	11,326.45 SQ FT (0.26 ACRES)	LOT 25	16,317.28 SQ FT (0.37 ACRES)
LOT 13	13,697.81 SQ FT (0.31 ACRES)		

CLIENT CONTACT
NAME: CHAD BUCK
ADDRESS: 2205 SOUTH 4520 WEST
TAYLOR, UTAH
PHONE: (801) 725-3511
EMAIL: CTBHOMES19@GMAIL.COM

REV	COMMENT

SHEET NO.

C300
CONCEPT
SITE PLAN

DEVELOPER
SINGLETREE ACRES LLC
2205 SOUTH 4520 WEETS
TAYLOR, UTAH
801-725-3511