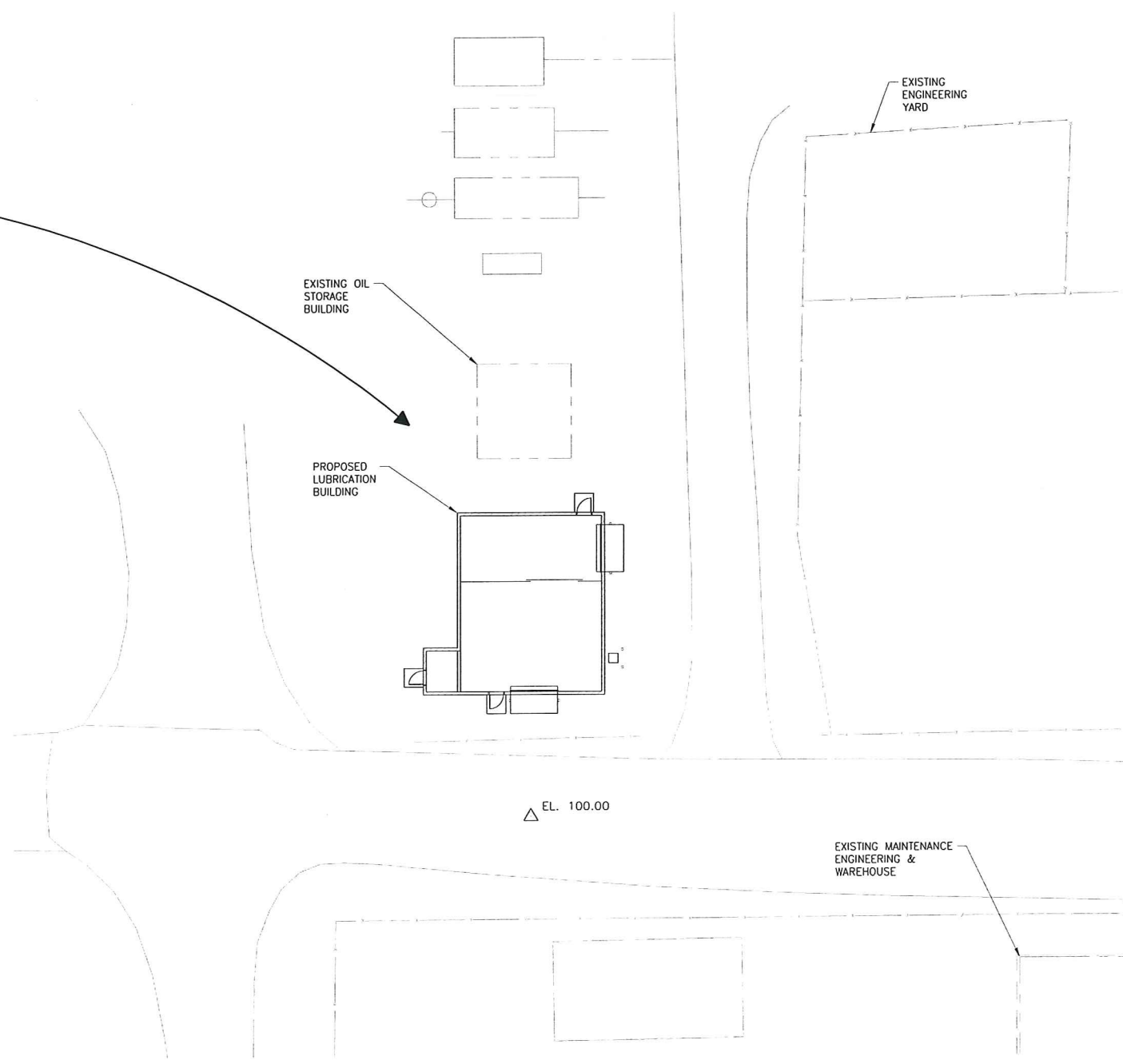


REVISION HISTORY				
REV	ZONE	DESCRIPTION	DATE	APPROVED
0		ISSUED FOR CONSTRUCTION	9/11/2013	

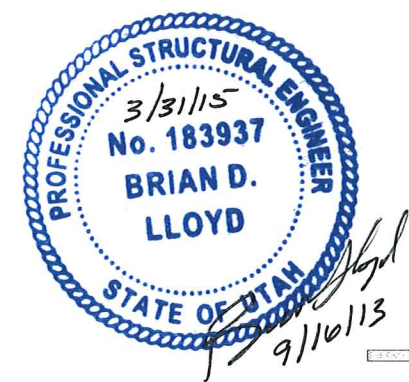


SITE PLAN



DRAWING INDEX	
DWG NO.	TITLE
G-001	GENERAL ARRANGEMENT SITE PLAN
G-002	GENERAL ARRANGEMENT PLAN
C-001	SITE & UTILITIES PLAN
C-002	SITE GRADING PLAN
C-004	UPDES PLAN, NOTES AND DETAILS
A-001	ARCHITECTURAL FLOOR PLAN
A-002	ARCHITECTURAL ELEVATIONS
A-003	REFLECTED CEILING PLAN, DOOR/FINISH SCHEDULES & DETAILS
A-004	ARCHITECTURAL SECTIONS & DETAILS
E-001	ELECTRICAL PLAN
E-002	ELECTRICAL SCHEDULES, ONELINE & HAZARDOUS AREA CLASSIFICATION
E-003	ELECTRICAL GROUNDING LAYOUT
E-004	ELECTRICAL GROUNDING DETAILS
M-001	MECHANICAL PLAN
S-001	GENERAL STRUCTURAL NOTES
S-002	FOOTING & FOUNDATION PLAN
S-003	ROOF FRAMING PLAN
S-004	STRUCTURAL ELEVATIONS
S-005	FOOTING & FOUNDATION SECTIONS
S-006	FOOTING & FOUNDATION SECTIONS & DETAILS
S-007	FOOTING & FOUNDATION SCHEDULES

Code Analysis		
Project Name	GSLM - Lube Building	
Job Number	120213T	
Item	Properties	Notes
Building Code	IBC 2009	Weber County Utah and State of Utah
Electrical Code	NEC 2008	
Mechanical Code	IMC 2009	
Plumbing Code	IPC 2009	
Area	Actual area 1180	
Building Classification		
Type >13,200 gal storage	S-2 (Table 307.1 IBC 2009)	Lube Flash point +200 degrees Combustible Liquid type IIIB CMU with Metal roof trusses >39,000 sqft No sprinkling system required
Construction Type	IIIB	
ELECTRICAL	UNCLASSIFIED	
Location		
Lube Building Location	Lat: 41.281376 Long: -112.232010	GSLM Plant locations Elev. 4218 FT
Fire Resistive Requirements		
Fire Sprinkler System	not required	
Exterior Walls	2 hour	
Interior Walls	not rated	
Roof Frame	not rated	
Roof Ceiling assembly	not rated	
Occupant Load Calculation		
S-2 Area /100 sqft per occupant	12	Industrial building
Building Exit Load		
S-2 Area	2 Exit Doors (1 from each space)	Occupant load less than 29 (Table 10.15.1)



ISSUED FOR CONSTRUCTION

DATUM ELEV.
ELEV. 100' = 4218'-0"

THIS DRAWING IS THE PROPERTY OF GREAT SALT LAKE MINERALS, A DIVISION OF COMPASS MINERALS INTERNATIONAL, INC. MAY NOT BE COPIED OR DISTRIBUTED WITHOUT WRITTEN PERMISSION FROM COMPASS MINERALS.

NEXT HIGHER ASSEMBLY	TOLERANCE UNLESS OTHERWISE INDICATED	DRAWN BY	DATE
	FRACTIONS: ± 1/16	C. TEMBY	6/7/2012
	.X = ± .1	CHECKED BY	DATE
	.XX = ± .05	B. LLOYD	9/11/2013
	.XXX = ± .010	ENGINEER	DATE
	.XXXX = ± .0005	J. JORGENSEN	9/11/2013
	ANGLES: ± .5	SUPERVISOR	DATE
		MFG ENGINEER	DATE

RISUN TECHNOLOGIES
357 WEST 6160 SOUTH
SALT LAKE CITY, UTAH 84107 Ph (801)281-2029

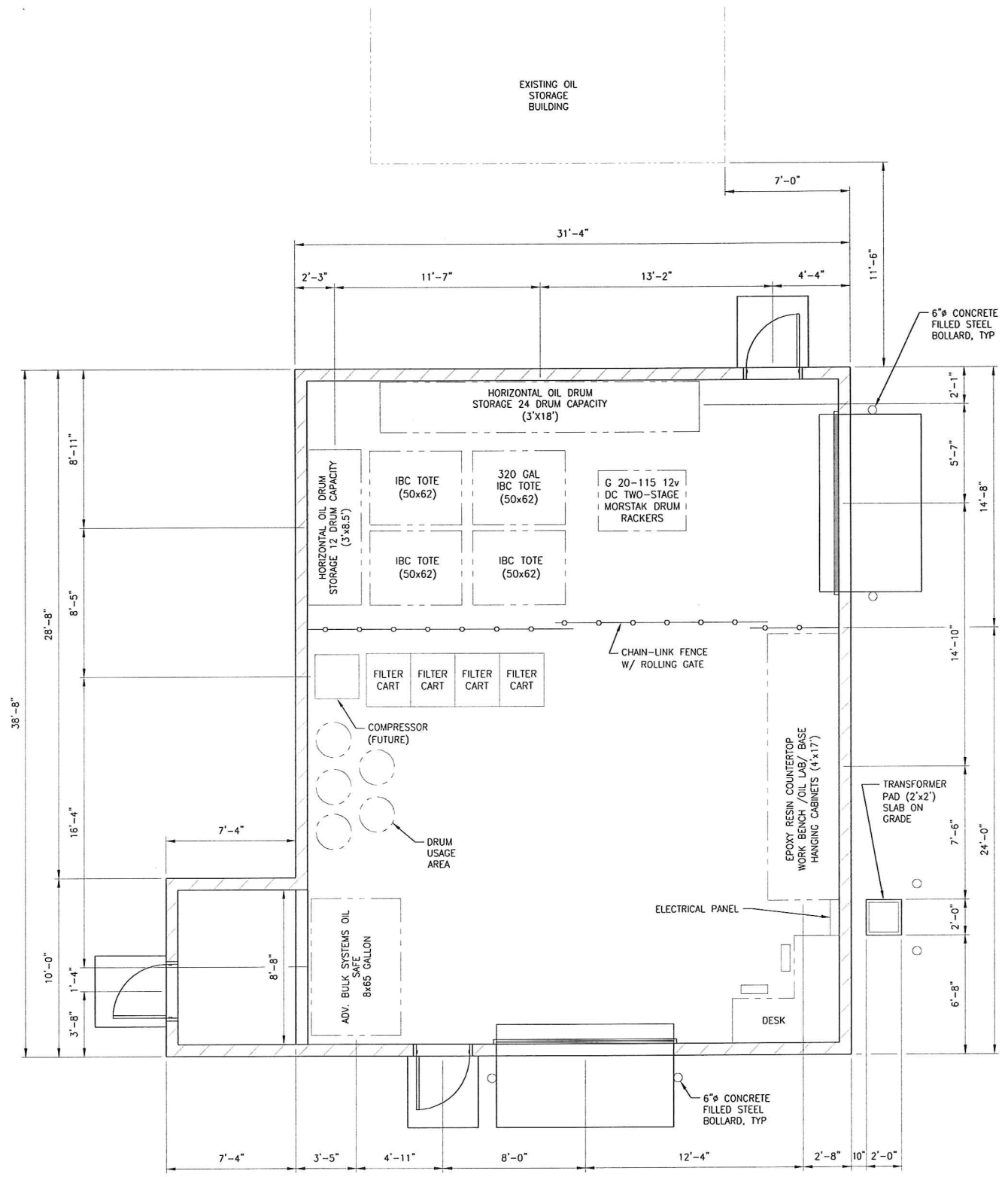
Great Salt Lake Minerals Corporation
763 NORTH 10500 WEST, OGDEN UT 84404
PH (801) 731-3100 FX (801) 731-4551

TITLE: LUBRICATIONS BUILDING GENERAL ARRANGEMENT SITE PLAN

SIZE DWG NO: D 120213-G-001 REV 0

SCALE SHEET 1 OF 1

REVISION HISTORY				
REV	ZONE	DESCRIPTION	DATE	APPROVED
0		ISSUED FOR CONSTRUCTION	9/11/2013	



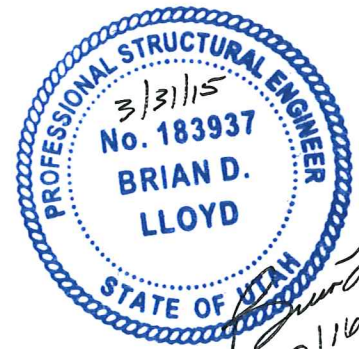
GENERAL ARRANGEMENT PLAN
SCALE: 1/4" = 1'-0"

GENERAL NOTES

- CONSTRUCTION NOT SPECIFICALLY INDICATED SHALL BE ACCOMPLISHED PER MINIMUM REQUIREMENTS OF THE 2009 INTERNATIONAL BUILDING CODE, OR THE LATEST EDITION AND ALL OTHER CODES AS REQUIRED FOR THE SYSTEMS CONSTRUCTED IN THIS PROJECT. ALL WORK SHALL BE COMPLETED IN ACCORDANCE WITH MANUFACTURER RECOMMENDATIONS AND INDUSTRY STANDARDS, UNLESS MORE STRINGENT REQUIREMENTS ARE INDICATED.
- IF THERE ARE ANY CONFLICTS BETWEEN ITEMS ON DRAWINGS AND GENERAL NOTES OR WITH SPECIFICATIONS, THE MOST STRINGENT REQUIREMENT GOVERNS.
- CONTRACTOR TO VISIT SITE PRIOR TO BIDDING TO FIELD DETERMINE ACTUAL SITE CONDITIONS AND NOTIFY THE DESIGNER OF ANY DISCREPANCIES.
- ACTUAL SITE DIMENSIONS COULD VARY. THE CONTRACTOR SHALL VERIFY ALL DIMENSIONS BEFORE STARTING WORK, AND NOTIFY THE DESIGNER IMMEDIATELY OF ANY DISCREPANCIES FOUND. THESE DRAWINGS ARE NOT TO BE SCALED FOR CONSTRUCTION.
- ALL CHANGE ORDERS TO BE APPROVED IN WRITING PRIOR TO CONSTRUCTION.
- CLEAN ALL DEBRIS FROM CONSTRUCTION AREA AT COMPLETION OF PROJECT. GENERAL CLEAN UP OF ALL AREAS UNDER CONSTRUCTION IS REQUIRED.
- PROVIDE FIRE RESISTANT BLOCKING OR BRACING FOR PROPER SUPPORT AT ALL WALL LOCATIONS WHERE MILLWORK OR OTHER ELEMENTS ARE TO BE HUNG OR ATTACHED.
- PROVIDE ALL ADDITIONAL METAL FURRING AS REQUIRED FOR CONDUITS, PIPES, ETC. PROVIDE GYPSUM BOARD AND FINISH AS SPECIFIED FOR ADJACENT SURFACES.
- WITHIN THE PROJECT SCOPE OF WORK, PROVIDE SIGNS TO MEET THE REQUIREMENTS OF I.B.C. SECTION 110.
- THE "GENERAL CONDITIONS OF THE CONTRACT FOR CONSTRUCTION OF A SMALL PROJECT", AIA A205-1993 ARE PART OF THE CONSTRUCTION DOCUMENTS, AS AMENDED BY THE AGREEMENT BETWEEN THE OWNER AND CONTRACTOR.

LEGEND

DENOTES DOOR NUMBER, SEE DOOR SCHEDULE ON SHEET 120213-A-003 FOR DETAILS.



ISSUED FOR CONSTRUCTION

NEXT HIGHER ASSEMBLY	TOLERANCE UNLESS OTHERWISE INDICATED	DRAWN BY	DATE
	FRACTIONS: ± 1/16 .X = ± .1 .XX = ± .05 .XXX = ± .010 .XXXX = ± .0005	C. TEMBY	5/31/2012
	ANGLES: ± .5	CHECKED BY	DATE
		J. PARKER	9/11/2013
		ENGINEER	DATE
		J. JORGENSEN	9/11/2013
		SUPERVISOR	DATE
		MFG ENGINEER	DATE

RISUN TECHNOLOGIES
357 WEST 8180 SOUTH
SALT LAKE CITY, UTAH 84107 Ph (801)281-2929

Great Salt Lake Minerals Corporation A Division of Compass Minerals International, Inc.		765 NORTH 10300 WEST, OGDEN UT 84404 PH (501) 731-3100 FX (501) 731-4551	
TITLE: LUBRICATIONS BUILDING GENERAL ARRANGEMENT PLAN			
SIZE: D	DWG NO: 120213-G-002	REV: 0	
SCALE:	SHEET 1 OF 1		

THIS DRAWING IS THE PROPERTY OF GREAT SALT LAKE MINERALS, A DIVISION OF COMPASS MINERALS INTERNATIONAL, INC. MAY NOT BE COPIED OR DISTRIBUTED WITHOUT WRITTEN PERMISSION FROM COMPASS MINERALS.

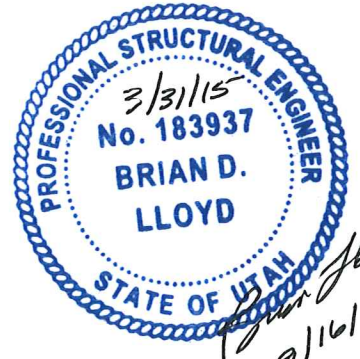
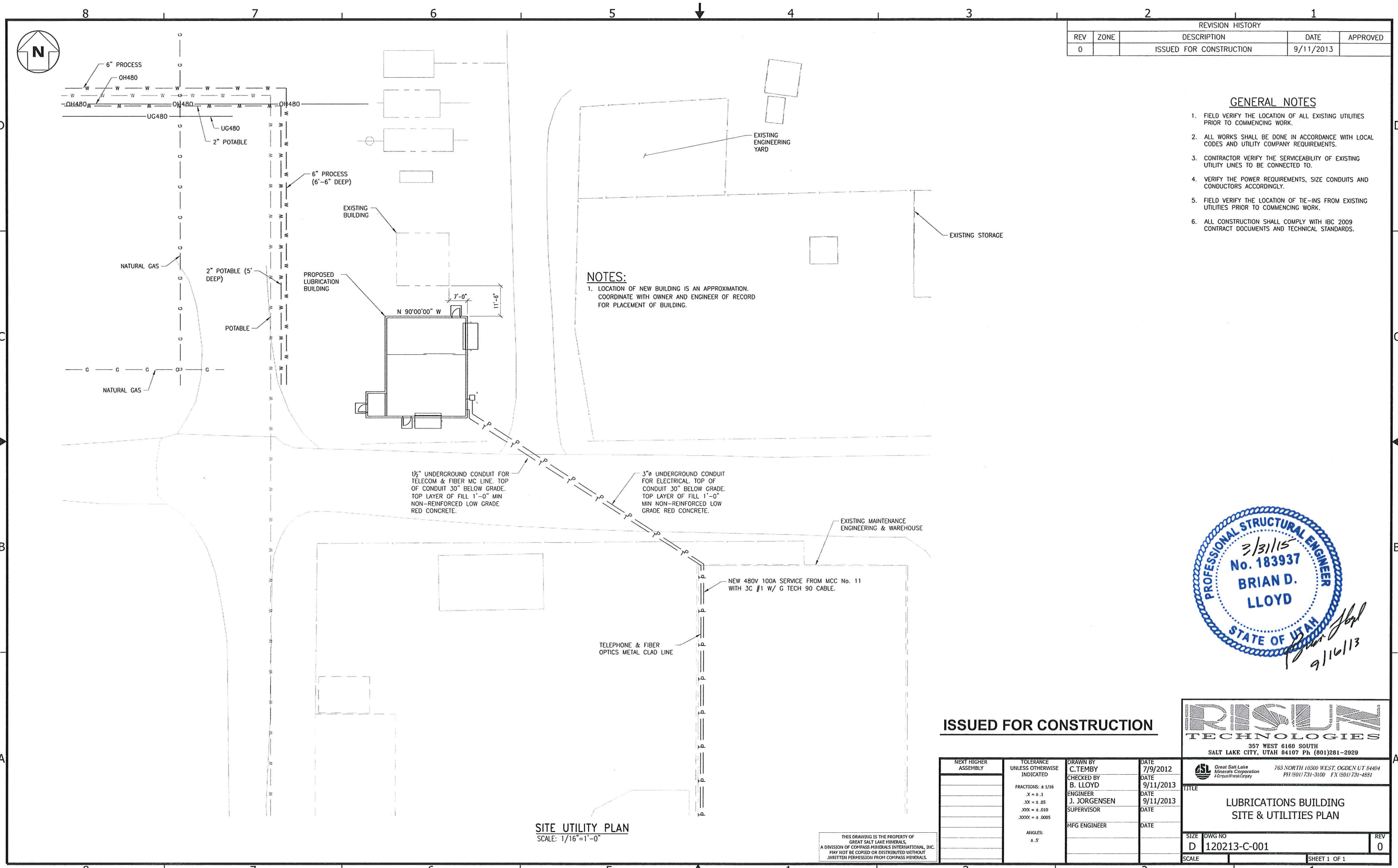
REVISION HISTORY				
REV	ZONE	DESCRIPTION	DATE	APPROVED
0		ISSUED FOR CONSTRUCTION	9/11/2013	

GENERAL NOTES

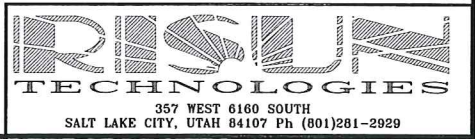
1. FIELD VERIFY THE LOCATION OF ALL EXISTING UTILITIES PRIOR TO COMMENCING WORK.
2. ALL WORKS SHALL BE DONE IN ACCORDANCE WITH LOCAL CODES AND UTILITY COMPANY REQUIREMENTS.
3. CONTRACTOR VERIFY THE SERVICEABILITY OF EXISTING UTILITY LINES TO BE CONNECTED TO.
4. VERIFY THE POWER REQUIREMENTS, SIZE CONDUITS AND CONDUCTORS ACCORDINGLY.
5. FIELD VERIFY THE LOCATION OF TIE-INS FROM EXISTING UTILITIES PRIOR TO COMMENCING WORK.
6. ALL CONSTRUCTION SHALL COMPLY WITH IBC 2009 CONTRACT DOCUMENTS AND TECHNICAL STANDARDS.

NOTES:

1. LOCATION OF NEW BUILDING IS AN APPROXIMATION. COORDINATE WITH OWNER AND ENGINEER OF RECORD FOR PLACEMENT OF BUILDING.



ISSUED FOR CONSTRUCTION



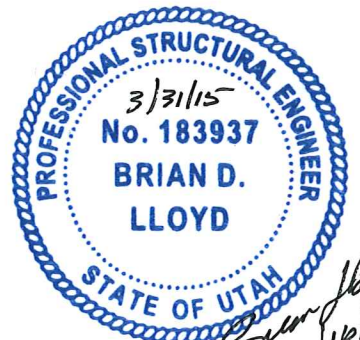
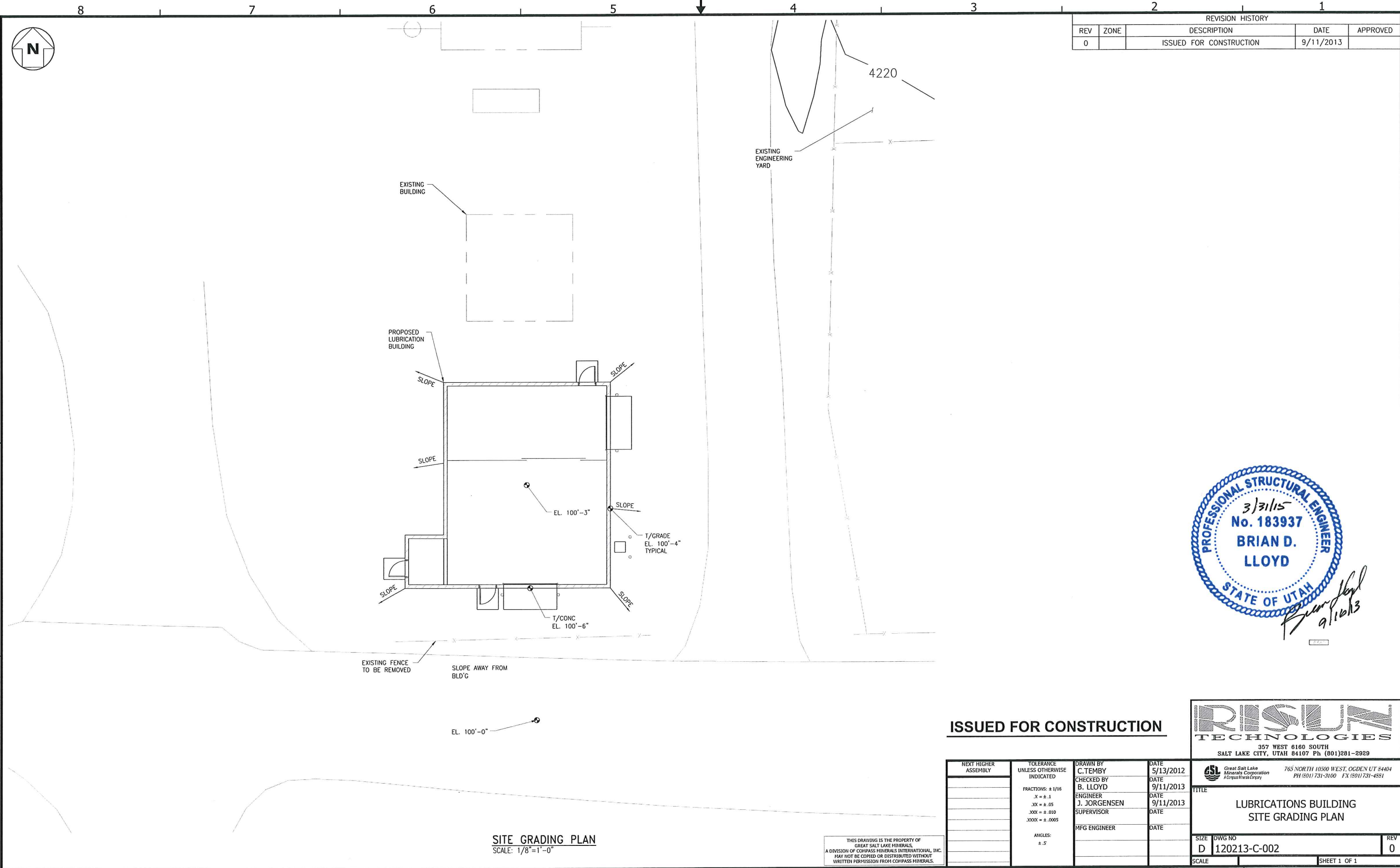
NEXT HIGHER ASSEMBLY	TOLERANCE UNLESS OTHERWISE INDICATED	DRAWN BY	DATE
	FRACTIONS: ± 1/16	C. TEMBY	7/9/2012
	.X = ± .1	CHECKED BY	DATE
	.XX = ± .05	B. LLOYD	9/11/2013
	.XXX = ± .010	ENGINEER	DATE
	.XXXX = ± .0005	J. JORGENSEN	9/11/2013
	ANGLES: ± .5°	SUPERVISOR	DATE
		MFG ENGINEER	DATE

		765 NORTH 10500 WEST, OGDEN UT 84404 PH (501) 731-3100 FX (501) 731-4591
TITLE LUBRICATIONS BUILDING SITE & UTILITIES PLAN		
SIZE D	DWG NO 120213-C-001	REV 0
SCALE		SHEET 1 OF 1

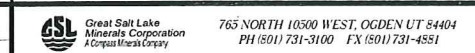
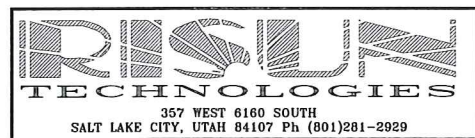
SITE UTILITY PLAN
SCALE: 1/16" = 1'-0"

THIS DRAWING IS THE PROPERTY OF GREAT SALT LAKE MINERALS, A DIVISION OF COMPASS MINERALS INTERNATIONAL, INC. MAY NOT BE COPIED OR DISTRIBUTED WITHOUT WRITTEN PERMISSION FROM COMPASS MINERALS.

REVISION HISTORY				
REV	ZONE	DESCRIPTION	DATE	APPROVED
0		ISSUED FOR CONSTRUCTION	9/11/2013	



ISSUED FOR CONSTRUCTION



NEXT HIGHER ASSEMBLY	TOLERANCE UNLESS OTHERWISE INDICATED	DRAWN BY	DATE
	FRACTIONS: ± 1/16	C. TEMBY	5/13/2012
	.X = ± .1	CHECKED BY	DATE
	.XX = ± .05	B. LLOYD	9/11/2013
	.XXX = ± .010	ENGINEER	DATE
	.XXXX = ± .0005	J. JORGENSEN	9/11/2013
	ANGLES: ± .5	SUPERVISOR	DATE
		MFG ENGINEER	DATE

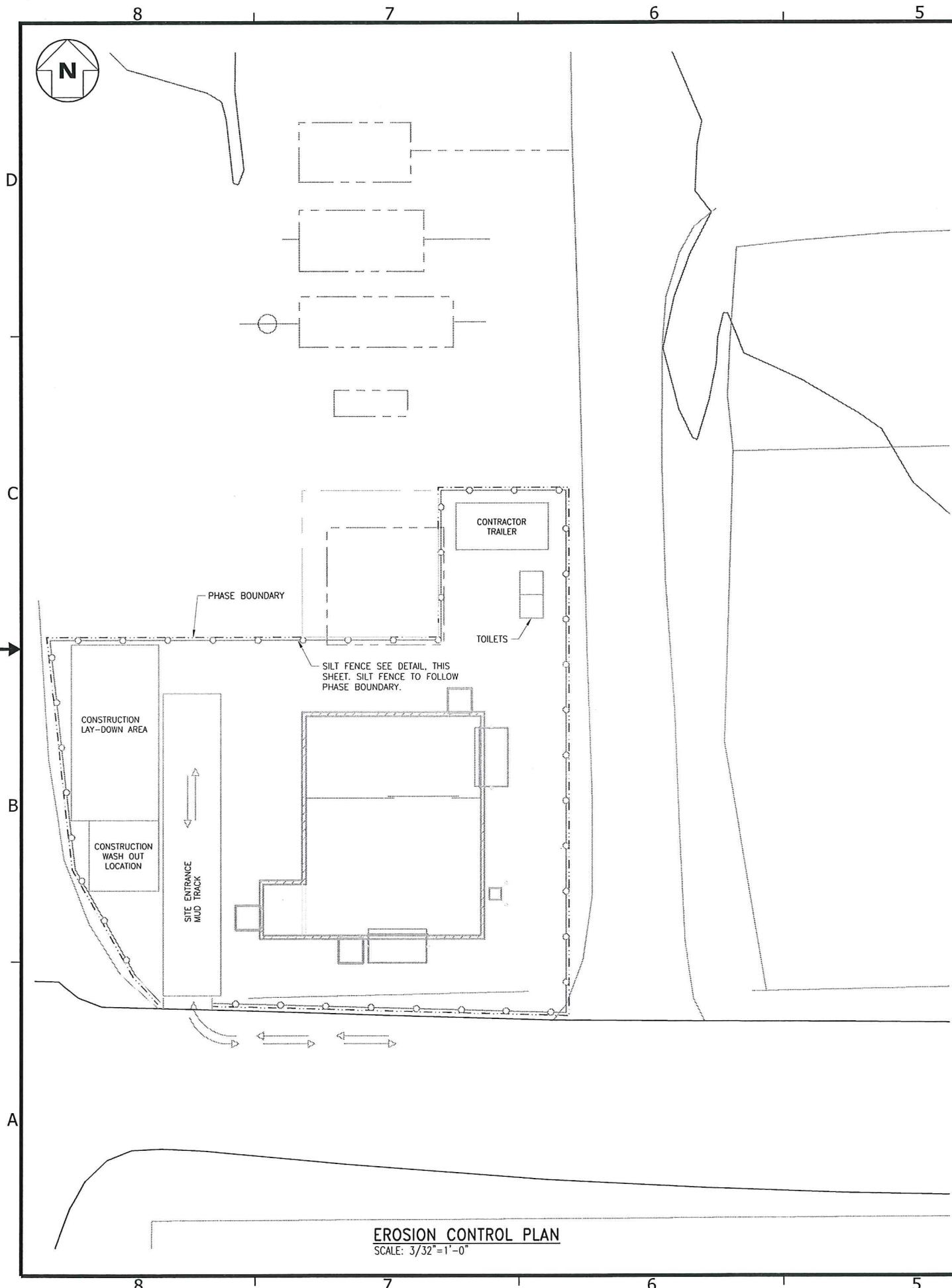
TITLE
**LUBRICATIONS BUILDING
SITE GRADING PLAN**

SIZE	DWG NO	REV
D	120213-C-002	0

SITE GRADING PLAN
SCALE: 1/8" = 1'-0"

THIS DRAWING IS THE PROPERTY OF GREAT SALT LAKE MINERALS, A DIVISION OF COMPASS MINERALS INTERNATIONAL, INC. MAY NOT BE COPIED OR DISTRIBUTED WITHOUT WRITTEN PERMISSION FROM COMPASS MINERALS.

REVISION HISTORY				
REV	ZONE	DESCRIPTION	DATE	APPROVED
0		ISSUED FOR CONSTRUCTION	9/11/2013	



CONSTRUCTION SWPP NOTES:

1. THE PURPOSE OF THIS DOCUMENT IS TO OUTLINE THE STEPS TAKEN TO PREVENT STORM WATER POLLUTION DURING THE CONSTRUCTION OF THE NEW LUBE STORAGE BUILDING. GREAT SALT LAKE MINERALS (GSLM) AND ITS TO BE DETERMINED CONTRACTOR WILL JOINTLY ENSURE THAT THE CONDITIONS OF THIS PLAN ARE FOLLOWED DURING THE CONSTRUCTION PROCESS.
2. **PROJECT SCOPE:**
THE PROJECT CONSISTS OF INSTALLING A 1180 SQ. FT. CMU BLOCK BUILDING WITHIN THE EXISTING PRODUCTION FACILITY LOCATED AT 765 NORTH 10500 WEST, OGDEN, UTAH. THE BUILDING WILL STORE LUBRICATION PRODUCTS. THE FINISHED CONSTRUCTION WILL BE COMPRISED OF CMU BLOCK WALLS WITH FRP ROOFING, PERMANENT BELOW GRADE CONCRETE FOUNDATIONS AND A CONCRETE STORAGE AREA SURFACE. TYPICAL CONSTRUCTION HAND TOOLS AND EQUIPMENT WILL BE EMPLOYED TO ACCOMPLISH THIS SCOPE. CONSTRUCTION SITE AREA = 5,925 SF (0.14 AC).
3. **PLAN ACTION LIST:**
A. A COPY OF GSLM'S FACILITY SWPPP IS AVAILABLE ON SITE. SINCE THE CONSTRUCTION WILL TAKE PLACE IN THE EXISTING FACILITY, THE CURRENT FACILITY SWPPP WILL BE FOLLOWED ALONG WITH THE FOLLOWING SPECIFIC BEST MANAGEMENT PRACTICE ITEMS.
A. THE PROJECT SHOULD HAVE LITTLE EFFECT ON NEIGHBORING FACILITIES DUE TO THE DISTANCE FROM THE GSLM PROPERTY LINES. THE PROJECT SITE IS LOCATED 4,600 FEET NORTH OF THE SOUTHERN PROPERTY LINE, 3,200 FEET SOUTH OF THE NORTHERN PROPERTY LINE, 1,870 FEET EAST OF THE WESTERN PROPERTY LINE, AND 1,900 FEET WEST OF THE EASTERN PROPERTY LINE.
B. EXCAVATED MATERIALS WILL BE USED AS BACKFILL WHERE APPROPRIATE AND THE REMAINING OR INADEQUATE MATERIALS WILL BE DISPOSED OF OFFSITE AT AN APPROPRIATE FACILITY.
C. CONCRETE TRUCK WASHOUT WILL BE HELD ON SITE UNTIL SET AND THEN WILL BE PROPERLY DISPOSED OF.
D. THE CONSTRUCTION ENTRANCE IS ACTUALLY THE PLANT SITE ENTRANCE AND IS LOCATED APPROXIMATELY 1,800 FEET FROM THE BUILDING SITE. DUE TO THIS LENGTH OF TRAVEL, NO CONSTRUCTION MATERIALS WILL LEAVE THE PLANT SITE.
E. CONSTRUCTION DUST WILL BE CONTAINED ON THE PLANT SITE DUE TO THE DISTANCES EXPRESSED IN ITEM NUMBER "A" ABOVE.
F. ALL ROADS INTO THE CONSTRUCTION SITE ARE MAINTAINED BY GSLM PLANT PERSONNEL. DIRT AND MUD ARE WASHED INTO THE FACILITY DRAINAGE DITCHES AND DISPOSED OF ACCORDINGLY TO THE SITE SWPPP.
G. STORM WATER THAT MAY REACH THE BUILDING SITE WILL CONTINUE TO FOLLOW ALONG THE PATH IT CURRENTLY FOLLOWS. EXISTING FLOW IS CONTROLLED BY THE SITE SWPPP. PRE/POST RUNOFF CAR THROW T/SOIL DESCRIPTION DOES NOT CHANGE FOR THE OVERALL SITE DUE TO THE LARGE PLANT SITE AREA COMPOUND TO THE BUILDING SITE. STORM WATER OUTFLOW IS THE GREAT SALT LAKE.
4. THE GSLM LUBE STORAGE CONSTRUCTION PROJECT SWPP WILL BE EFFECTIVE FOR THE DURATION OF THE PROJECT AND DOES NOT APPLY TO ANY OTHER PART OF THE GSLM FACILITY OR OTHER CONSTRUCTION PROJECTS ON SITE.
5. THE GSLM LUBE STORAGE CONSTRUCTION SWPPP DOES NOT SUPERSEDE THE CURRENT SWPPP ON FILE WITH THE STATE OF UTAH, BUT, IS SUBJECT TO THE CONDITIONS OF THAT PLAN.

SILT FENCE:

CONSTRUCTION SPECIFICATIONS:
THE HEIGHT OF A SILT FENCE SHALL NOT EXCEED 36 INCHES. STORAGE HEIGHT SHALL NEVER EXCEED 18". THE FENCE LINE SHALL FOLLOW THE CONTOUR AS CLOSELY AS POSSIBLE. IF POSSIBLE, THE FILTER FABRIC SHALL BE CUT FROM A CONTINUOUS ROLL TO AVOID THE USE OF JOINTS. WHEN JOINTS ARE NECESSARY, FILTER CLOTH SHALL BE SPLICED ONLY AT A SUPPORT POST, WITH A MINIMUM 6-INCH OVERLAP AND BOTH END SECURELY FASTENED TO THE POST.

POSTS SHALL BE SPACED A MAXIMUM OF 10 FEET APART AND ANCHORED SECURELY TO THE GROUND. WHEN EXTRA STRENGTH FABRIC IS USED WITHOUT THE WIRE SUPPORT FENCE, POST SPACING SHALL NOT EXCEED 6 FEET. TURN THE ENDS OF THE FENCE UPHILL.

WHEN STANDARD-STRENGTH FILTER FABRIC IS USED, A WIRE MESH SUPPORT FENCE SHALL BE FASTENED SECURELY TO THE UPSLOPE SIDE OF THE POSTS USING HEAVY DUTY WIRE STAPLES AT LEAST 1 INCH LONG, TIE WIRES OR HOG RINGS. THE WIRE SHALL EXTEND INTO THE TRENCH A MINIMUM OF 2 INCHES AND SHALL NOT EXTEND MORE THAN 36 INCHES ABOVE THE ORIGINAL GROUND SURFACE.

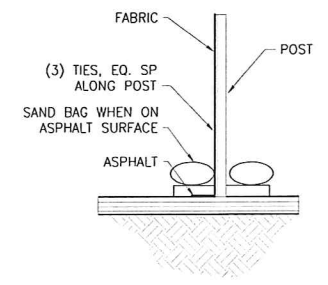
THE STANDARD-STRENGTH FILTER FABRIC SHALL BE STAPLED OR WIRED TO THE FENCE, AND 6 INCHES OF THE FABRIC SHALL EXTEND INTO THE TRENCH. THE FABRIC SHALL NOT EXTEND MORE THAN 36 INCHES ABOVE THE ORIGINAL GROUND SURFACE. FILTER FABRIC SHALL NOT BE STAPLED TO EXISTING TREES.

WHEN EXTRA-STRENGTH FILTER FABRIC AND CLOSER POST SPACING ARE USED, THE WIRE MESH SUPPORT FENCE MAY BE ELIMINATED. IN SUCH A CASE, THE FILTER FABRIC IS STAPLED OR WIRED DIRECTLY TO THE POSTS.

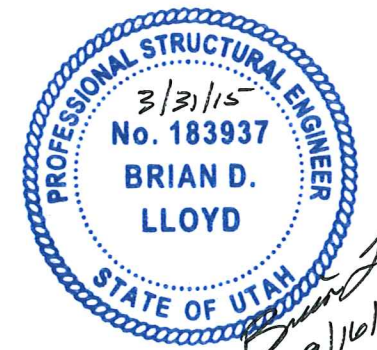
THE SOIL SHALL BE BACKFILLED AND COMPACTED OVER THE TOE OF THE FILTER FABRIC.

SILT FENCES PLACED AT THE TOE OF A SLOPE SHALL BE SET AT LEAST 6 FEET FROM THE TOE IN ORDER TO INCREASE PONDING VOLUME. SILT FENCES SHALL BE REMOVED WHEN THEY HAVE SERVED THEIR USEFUL PURPOSE, BUT NOT BEFORE THE UPSLOPE AREA HAS BEEN PERMANENTLY STABILIZED, AND ANY SEDIMENT STORED BEHIND THE SILT FENCE HAS BEEN REMOVED.

INSPECTION AND MAINTENANCE:
SILT FENCES AND FILTER BARRIERS SHALL BE INSPECTED WEEKLY AND AFTER EACH SIGNIFICANT STORM (1" IN 24 HR). ANY REQUIRED REPAIRS SHALL BE MADE IMMEDIATELY. SEDIMENT SHALL BE REMOVED WHEN IT REACHES 1/3 HEIGHT OF THE FENCE OR 9 INCHES MAXIMUM.



SILT FENCE DETAIL
SCALE: 3/4"=1'-0"



ISSUED FOR CONSTRUCTION

NEXT HIGHER ASSEMBLY	TOLERANCE UNLESS OTHERWISE INDICATED	DRAWN BY	DATE
	FRACTIONS: ± 1/16 X = ± 1 .XX = ± .05 .XXX = ± .010 .XXXX = ± .0005	C. TEMBY	5/31/2012
	ANGLES: ± .5	CHECKED BY	DATE
		B. LLOYD	9/11/2013
		ENGINEER	DATE
		J. JORGENSEN	9/11/2013
		SUPERVISOR	DATE
		MFG ENGINEER	DATE

RISUN TECHNOLOGIES
357 WEST 6160 SOUTH
SALT LAKE CITY, UTAH 84107 Ph (801)281-2920

GSL Great Salt Lake Minerals Corporation
765 NORTH 10500 WEST, OGDEN UT 84404
PH (801) 731-3100 FX (801) 731-4531

LUBRICATIONS BUILDING UPDES PLAN, NOTES AND DETAILS

SIZE	DWG NO	REV
D	120213-C-004	0
SCALE	SHEET 1 OF 1	

THIS DRAWING IS THE PROPERTY OF GREAT SALT LAKE MINERALS, INC. MAY NOT BE COPIED OR DISTRIBUTED WITHOUT WRITTEN PERMISSION FROM COMPASS MINERALS.

EROSION CONTROL PLAN
SCALE: 3/32"=1'-0"

REVISION HISTORY		
0	ISSUED FOR CONSTRUCTION	9/11/2013

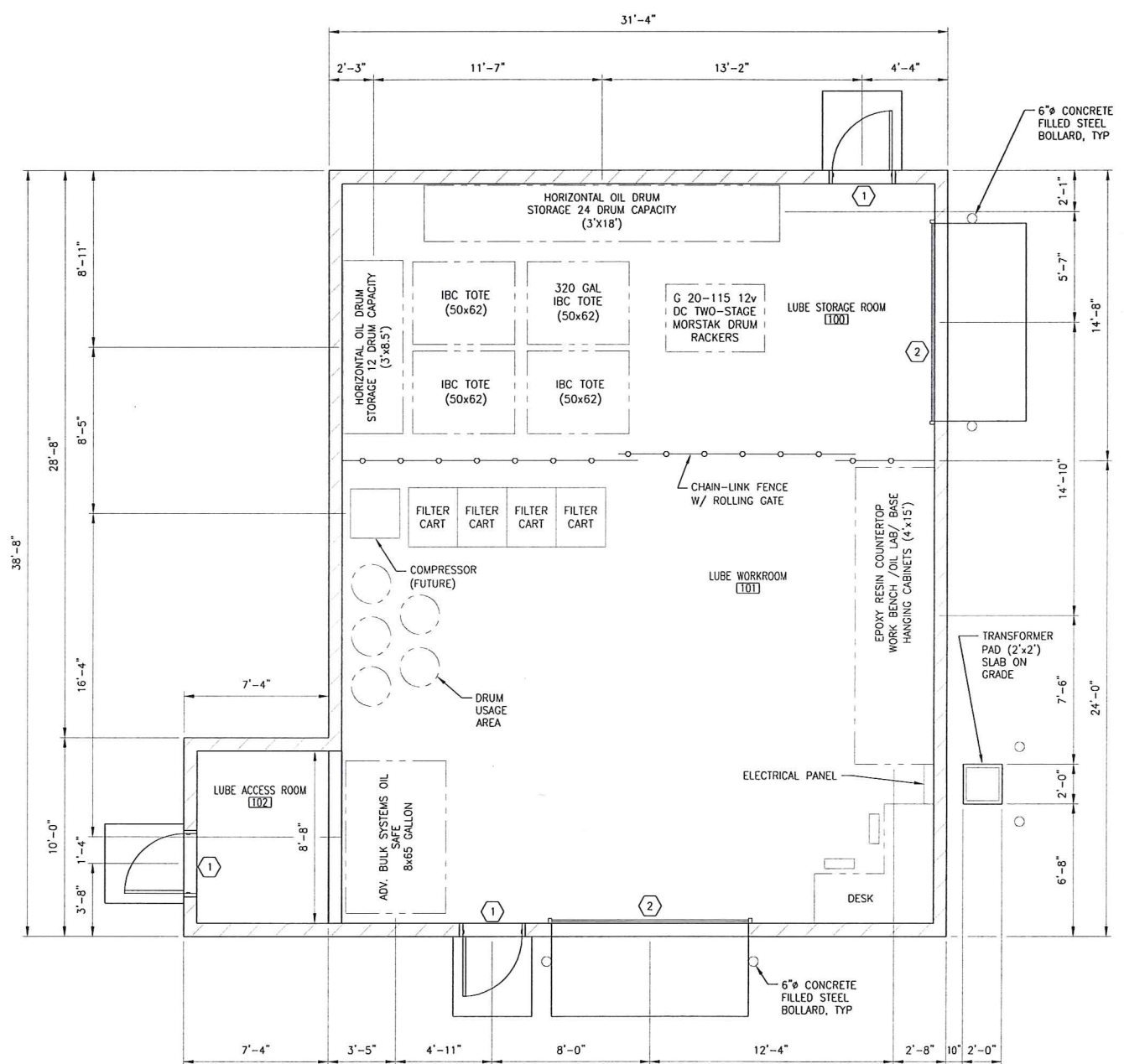
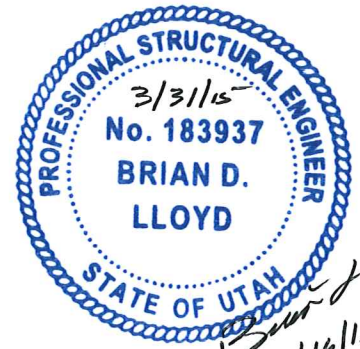


GENERAL NOTES

- CONSTRUCTION NOT SPECIFICALLY INDICATED SHALL BE ACCOMPLISHED PER MINIMUM REQUIREMENTS OF THE 2009 INTERNATIONAL BUILDING CODE, OR THE LATEST EDITION AND ALL OTHER CODES AS REQUIRED FOR THE SYSTEMS CONSTRUCTED IN THIS PROJECT. ALL WORK SHALL BE COMPLETED IN ACCORDANCE WITH MANUFACTURER RECOMMENDATIONS AND INDUSTRY STANDARDS, UNLESS MORE STRINGENT REQUIREMENTS ARE INDICATED.
- IF THERE ARE ANY CONFLICTS BETWEEN ITEMS ON DRAWINGS AND GENERAL NOTES OR WITH SPECIFICATIONS, THE MOST STRINGENT REQUIREMENT GOVERNS.
- CONTRACTOR TO VISIT SITE PRIOR TO BIDDING TO FIELD DETERMINE ACTUAL SITE CONDITIONS AND NOTIFY THE DESIGNER OF ANY DISCREPANCIES.
- ACTUAL SITE DIMENSIONS COULD VARY. THE CONTRACTOR SHALL VERIFY ALL DIMENSIONS BEFORE STARTING WORK, AND NOTIFY THE DESIGNER IMMEDIATELY OF ANY DISCREPANCIES FOUND. THESE DRAWINGS ARE NOT TO BE SCALED FOR CONSTRUCTION.
- ALL CHANGE ORDERS TO BE APPROVED IN WRITING PRIOR TO CONSTRUCTION.
- CLEAN ALL DEBRIS FROM CONSTRUCTION AREA AT COMPLETION OF PROJECT. GENERAL CLEAN UP OF ALL AREAS UNDER CONSTRUCTION IS REQUIRED.
- PROVIDE FIRE RESISTANT BLOCKING OR BRACING FOR PROPER SUPPORT AT ALL WALL LOCATIONS WHERE MILLWORK OR OTHER ELEMENTS ARE TO BE HUNG OR ATTACHED.
- PROVIDE ALL ADDITIONAL METAL FURRING AS REQUIRED FOR CONDUITS, PIPES, ETC. PROVIDE GYPSUM BOARD AND FINISH AS SPECIFIED FOR ADJACENT SURFACES.
- WITHIN THE PROJECT SCOPE OF WORK, PROVIDE SIGNS TO MEET THE REQUIREMENTS OF I.B.C. SECTION 110.
- THE "GENERAL CONDITIONS OF THE CONTRACT FOR CONSTRUCTION OF A SMALL PROJECT", AIA A205-1993 ARE PART OF THE CONSTRUCTION DOCUMENTS, AS AMENDED BY THE AGREEMENT BETWEEN THE OWNER AND CONTRACTOR.

LEGEND

DENOTES DOOR NUMBER, SEE DOOR SCHEDULE ON SHEET 120213-A-003 FOR DETAILS.



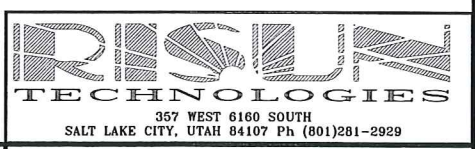
ARCHITECTURAL FLOOR PLAN
SCALE: 1/4" = 1'-0"

FLOOR PLAN
SCALE: 3/32" = 1'-0"

THIS DRAWING IS THE PROPERTY OF GREAT SALT LAKE MINERALS, A DIVISION OF COMPASS MINERALS INTERNATIONAL, INC. MAY NOT BE COPIED OR DISTRIBUTED WITHOUT WRITTEN PERMISSION FROM COMPASS MINERALS.

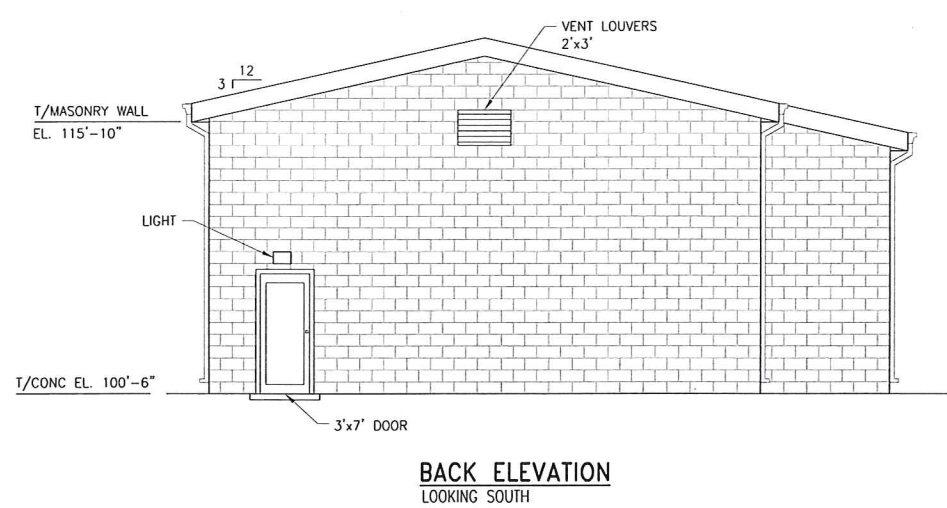
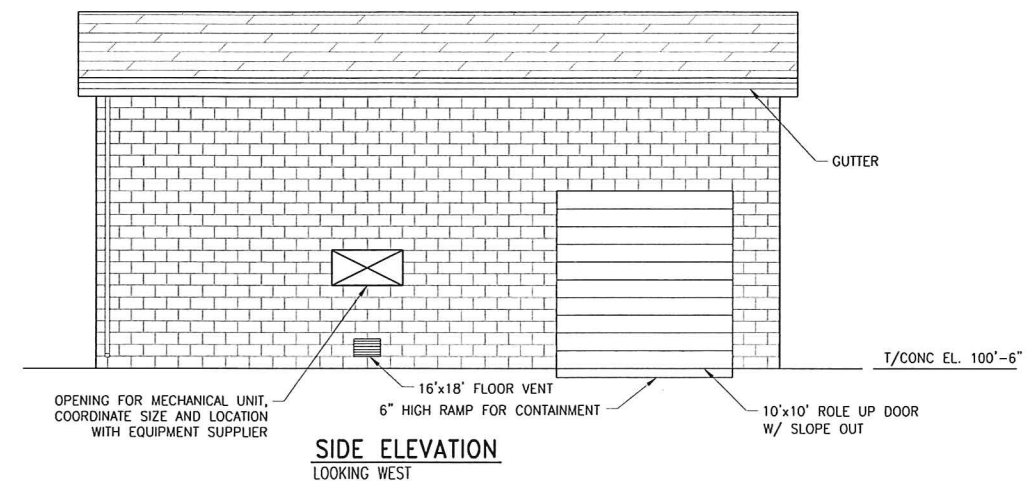
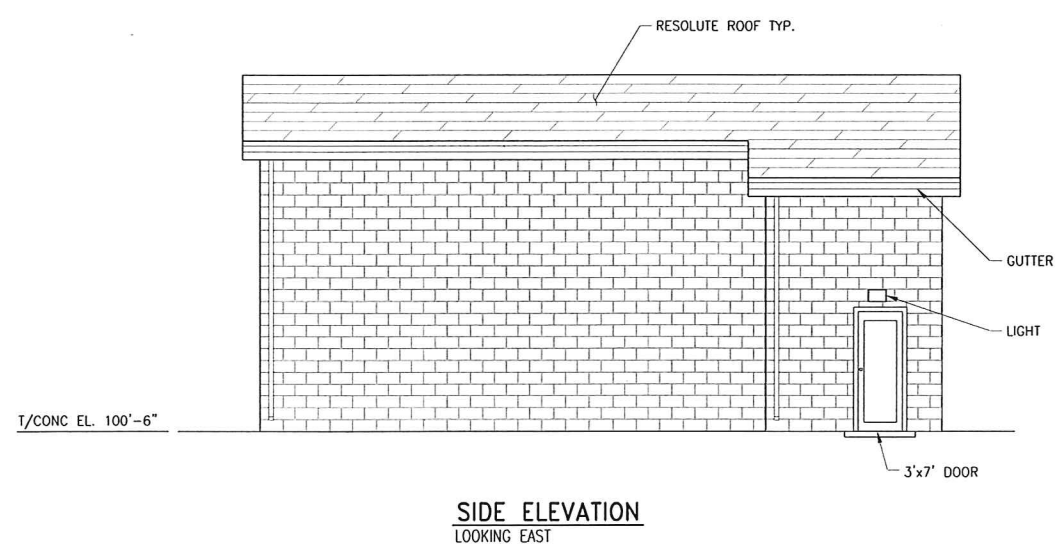
ISSUED FOR CONSTRUCTION

NEXT HIGHER ASSEMBLY	TOLERANCE UNLESS OTHERWISE INDICATED	DRAWN BY	DATE
	FRACTIONS: ± 1/16 .X = ± .1 .XX = ± .05 .XXX = ± .010 .XXXX = ± .0005	C. TEMBY	6/14/2012
	ANGLES: ± .5°	CHECKED BY J. PARKER	9/11/2013
		ENGINEER J. JORGENSEN	9/11/2013
		SUPERVISOR	
		MFG ENGINEER	

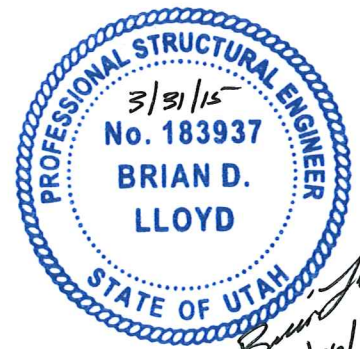
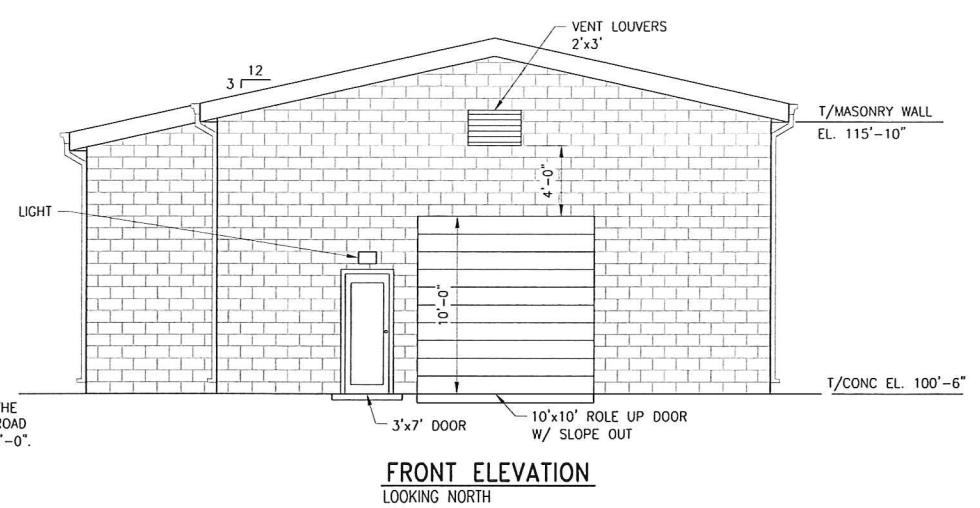


DATE	TITLE	SCALE	DWG NO	REV
6/14/2012	LUBRICATIONS BUILDING ARCHITECTURAL FLOOR PLAN	D	120213-A-001	0
9/11/2013				
9/11/2013				

REVISION HISTORY				
REV	ZONE	DESCRIPTION	DATE	APPROVED
0		ISSUED FOR CONSTRUCTION	9/11/2013	



NOTE: GRADE ELEVATION BASED ON THE ASSUMPTION THAT CROWN OF MAIN ROAD ADJACENT TO STRUCTURE IS EL. 100'-0\"/>



Brian D. Lloyd
9/16/13

ISSUED FOR CONSTRUCTION

RISUN TECHNOLOGIES
357 WEST 6160 SOUTH
SALT LAKE CITY, UTAH 84107 Ph (801)281-2929

Great Salt Lake Minerals Corporation
765 NORTH 10500 WEST, OGDEN UT 84404
PH (501) 731-3100 FX (501) 731-8531

TITLE
LUBRICATIONS BUILDING ARCHETECTURAL ELEVATIONS

SIZE DWG NO
D 120213-A-002

SCALE SHEET 1 OF 1

NEXT HIGHER ASSEMBLY	TOLERANCE UNLESS OTHERWISE INDICATED	DRAWN BY	DATE
	FRACTIONS: ± 1/16	C. TEMBY	6/14/2012
	.X = ± .1	CHECKED BY	DATE
	.XX = ± .05	B. LLOYD	9/11/2013
	.XXX = ± .010	ENGINEER	DATE
	.XXXX = ± .0005	J. JORGENSEN	9/11/2013
	ANGLES: ± .5°	SUPERVISOR	DATE
		MFG ENGINEER	DATE

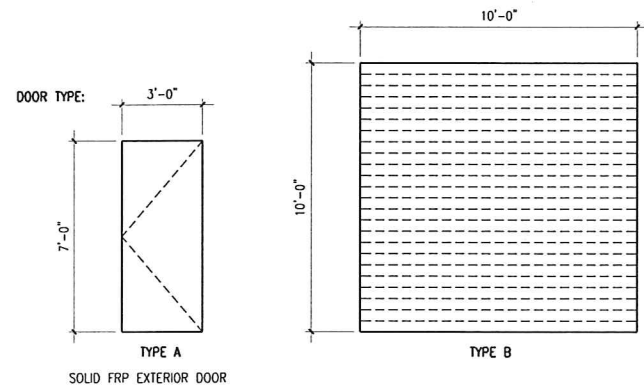
THIS DRAWING IS THE PROPERTY OF GREAT SALT LAKE MINERALS, A DIVISION OF COMPASS MINERALS INTERNATIONAL, INC. MAY NOT BE COPIED OR DISTRIBUTED WITHOUT WRITTEN PERMISSION FROM COMPASS MINERALS.

REVISION HISTORY				
REV	ZONE	DESCRIPTION	DATE	APPROVED
0		ISSUED FOR CONSTRUCTION	9/11/2013	

FINISH SCHEDULE									
ROOM NO.	ROOM NAME	FLOOR	BASE	WALLS				CEILING	REMARKS
				NORTH	SOUTH	EAST	WEST		
100	LUBE STORAGE ROOM	F-1	B-1	W-1	W-1	W-1	W-1	C-1	
101	LUBE WORKROOM	F-1	B-1	W-1	W-1	W-1	W-1	C-1	
102	LUBE ACCESS ROOM	F-1	B-1	W-1	W-1	W-1	W-1	C-1	

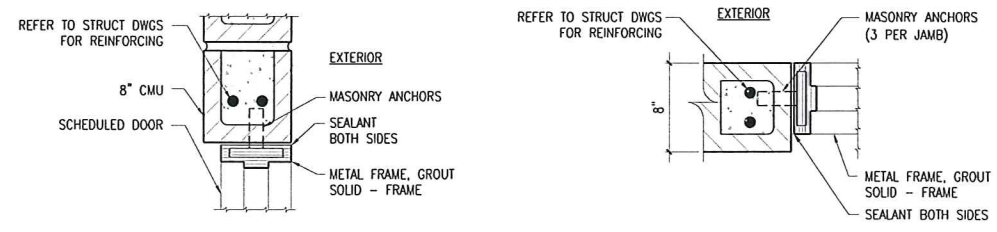
FINISH LEGEND			
FLOOR	MARK No.	DESCRIPTION	NOTES
	F-1	TROWEL FINISHED, SEALED	-
BASE	MARK No.	DESCRIPTION	NOTES
	B-1	NO BASE REQUIRED	-
WALLS	MARK No.	DESCRIPTION	NOTES
	W-1	CMU - PAINTED	1
	W-2	GYPSUM BOARD - PAINTED	-
	W-3	GYPSUM BOARD - TAPED & SEALED	-
	W-4	UNPAINTED, EXPOSED CONCRETE	-
	W-6	NO FINISH - OPEN TO STRUCTURE	-
CEILINGS	MARK No.	DESCRIPTION	NOTES
	C-1	GYPSUM BOARD - PAINTED	-
	C-2	GYPSUM BOARD - TAPED & SEALED	-
	C-3	2'-0"X4'-0" LAY-IN ACOUSTICAL TILE	-
	C-4	NO CEILING REQ'D - OPEN TO STRUCTURE	-

NOTE:
1. PRIMER: DEVCO BAR RUST 235.
FINISH COAT: DEVIRAN 224HS, COLOR AS SPECIFIED BY OWNER.



DOOR SCHEDULE											
DOOR NO.	DOOR SIZE	DOOR TYPE	DOOR FINISH	FRAME TYPE	FRAME FINISH	DETAILS			HRDWR GROUP	FIRE RATING	NOTES
						HEAD	JAMB	SILL			
(1)	1 3/4" X 3'-0" X 7'-0"	A	FRP	HOLLOW METAL	PAINTED	1	2	3	1	-	CARD READER ON MAIN
(2)	10'-0" X 10'-0"	B	-	HOLLOW METAL	PAINTED	-	-	-	-	-	

NOTES:
1. DOOR TO HAVE A 24" HIGH X DOOR WIDTH, REMOVABLE TRANSOM FOR EQUIPMENT LOADING.

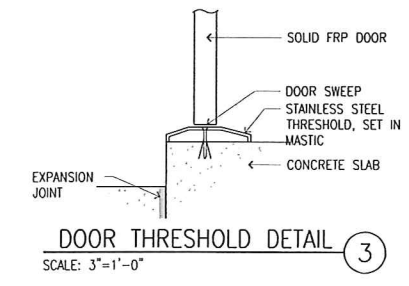


HEAD DETAIL ①
SCALE: 1 1/2" = 1'-0"

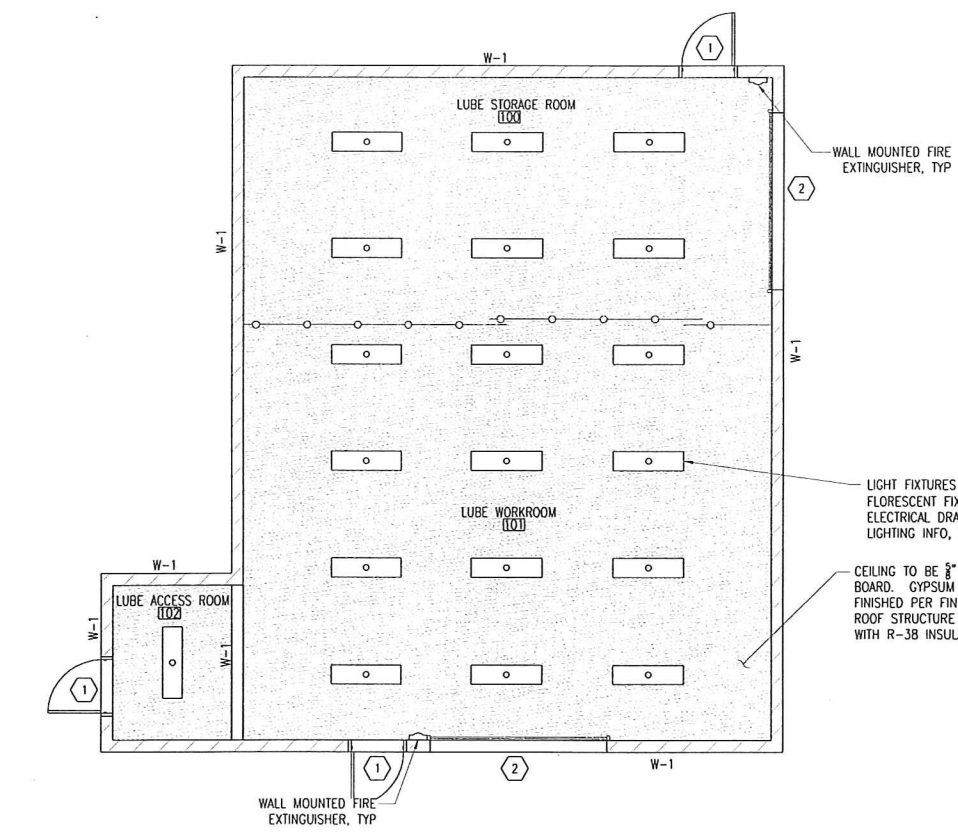
JAMB DETAIL ②
SCALE: 1 1/2" = 1'-0"

HARDWARE GROUPS	
GROUP ONE:	<ul style="list-style-type: none"> 1 PAIR STAINLESS STEEL BUTT HINGES 1 EA 36" STAINLESS STEEL THRESHOLD - MRF'S STD. ADA APPROVED 1 EA STAINLESS STEEL DOOR STOP 1 SET WEATHERSTRIP 1 EA PANIC DEVICE 1 EA STAINLESS STEEL CLOSER
GROUP TWO:	<ul style="list-style-type: none"> 2 PAIR STAINLESS STEEL BUTT HINGES 1 EA 48" STAINLESS STEEL THRESHOLD - MRF'S STD. ADA APPROVED 2 EA STAINLESS STEEL DOOR STOP 1 SET WEATHERSTRIP 2 EA STAINLESS STEEL CLOSER 1 EA PANIC DEVICE 1 SET AUTO FLUSH BOLTS CYLINDER

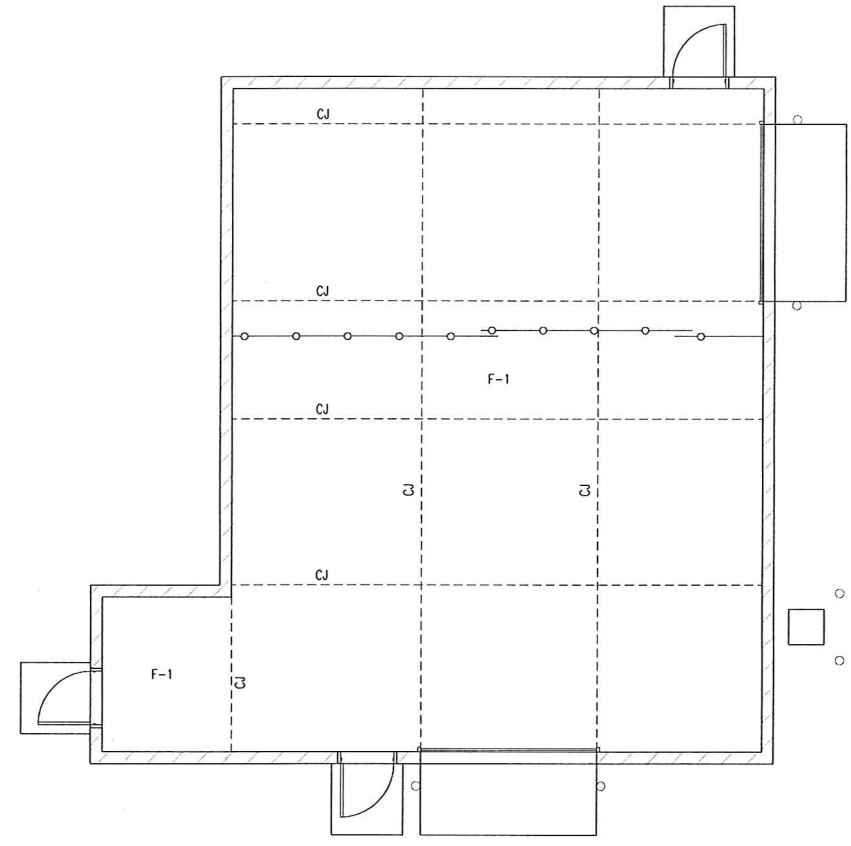
- EXIT ACCESS DOORWAYS SHALL BE OPERABLE FROM THE INSIDE WITHOUT THE USE OF A KEY, SPECIAL KNOWLEDGE OR EFFORT. BUILDING EXIT DOORS SHALL HAVE PANIC EXIT DEVICE HARDWARE MEETING THIS REQUIREMENT. MANUAL FLUSH BOLTS SHALL BE PROHIBITED ON DOUBLE DOORS.
- ALL THRESHOLDS AT THE DOORWAYS SHALL BE NO MORE THAN 1/2" HIGHER THAN THE FLOOR ON BOTH SIDES OF THE DOORS.
- MATERIAL: EXTERIOR FRAME: FRP
- HARDWARE GROUPS: CORBIN RUSSWIN ML2000 SERIES.
- NON REMOVABLE PINS ARE REQUIRED ON DOORS WITH BUTTS THAT ARE EXTERIOR OUTWARD SWINGING
- NO KEYING REQ'D EXCEPT CARD READER MAIN ACCESS MANWAY.
- FINISH OF NEW CLOSERS TO MATCH LEVERS AND OTHER HARDWARE. CORBIN RUSSWIN DC2200
- PROVIDE MANEUVERING CLEARANCES AT DOORS TO MEET ICC/ANSI A117.1-1998 404.2.4.1 AS SHOWN.
- SUBMIT PAINT COLORS TO OWNER FOR APPROVAL.
- OTHER HARDWARE MANUF. APPROVED IF EQUAL AND OF HEAVIER DUTY, EXCEPT LEVER LOCKSETS: CORBIN RUSSWIN & SCHLAGE ONLY APPROVED EQUALS. AMWELD DOORS AND/OR FRAMES ARE NOT APPROVED.
- CAULK BOTH SIDES OF ALL DOOR FRAMES. SOLID GROUT EXTERIOR HOLLOW METAL FRAMES. HOLLOW METAL FRAMES ARE 3/4" FROM EXTERIOR FACE OF BRICK.



DOOR THRESHOLD DETAIL ③
SCALE: 3" = 1'-0"



REFLECTED CEILING / FINISH PLAN
SCALE: 3/16" = 1'-0"

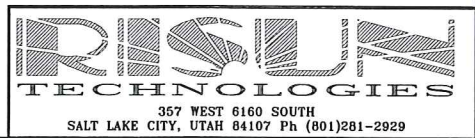


CONCRETE FINISH PLAN
SCALE: 3/16" = 1'-0"



ISSUED FOR CONSTRUCTION

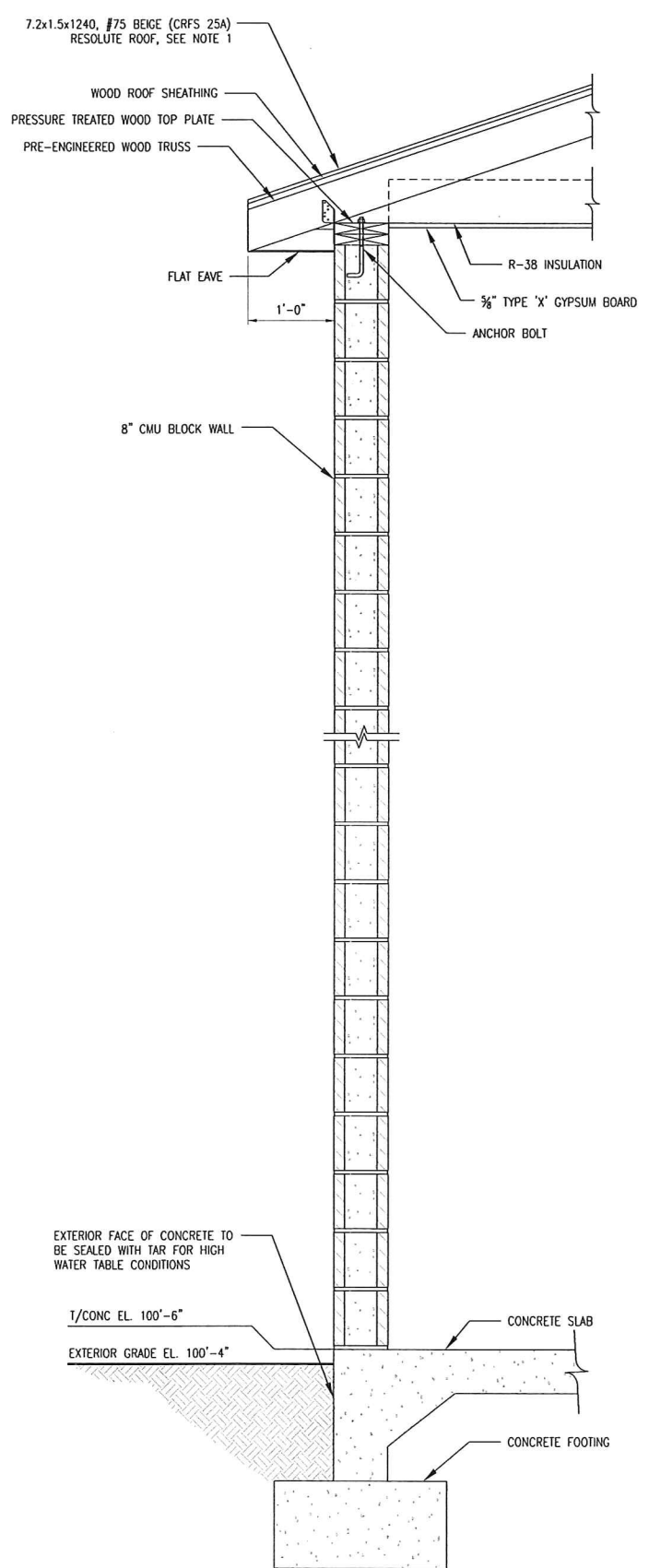
NEXT HIGHER ASSEMBLY	TOLERANCE UNLESS OTHERWISE INDICATED	DRAWN BY	DATE
	FRACTIONS: ± 1/16	C. TEMBY	6/14/2012
	X = ± .1	CHECKED BY	DATE
	.XX = ± .05	B. LLOYD	9/11/2013
	.XXX = ± .010	ENGINEER	DATE
	.XXXX = ± .0005	J. JORGENSEN	9/11/2013
	ANGLES: ± .5	SUPERVISOR	DATE
		MFG ENGINEER	DATE



TITLE	
LUBRICATIONS BUILDING REFLECTED CEILING PLAN, DOOR/FINISH SCHEDULES & DETAILS	
SIZE DWG NO	REV
D 120213-A-003	0
SCALE AS NOTED	SHEET 1 OF 1

THIS DRAWING IS THE PROPERTY OF GREAT SALT LAKE MINERALS, A DIVISION OF COMPASS MINERALS INTERNATIONAL, INC. MAY NOT BE COPIED OR DISTRIBUTED WITHOUT WRITTEN PERMISSION FROM COMPASS MINERALS.

REVISION HISTORY				
REV	ZONE	DESCRIPTION	DATE	APPROVED
0		ISSUED FOR CONSTRUCTION	9/11/2013	



TYPICAL WALL SECTION (1)
SCALE: NOT TO SCALE

NOTES:
1. PROVIDE ROOF FLASHING, CLOSURE, TRIM, RAKE, STAINLESS STEEL SCREWS, ETC... FOR COMPLETING FRP ROOF PACKAGE.



ISSUED FOR CONSTRUCTION

IRISUN
TECHNOLOGIES
357 WEST 6160 SOUTH
SALT LAKE CITY, UTAH 84107 Ph (801)281-2929

GSL Great Salt Lake Minerals Corporation
765 NORTH 10500 WEST, OGDEN UT 84404
PH (501) 731-3100 FX (501) 731-4551

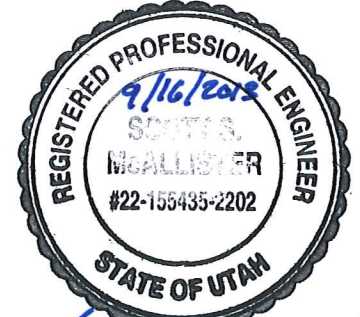
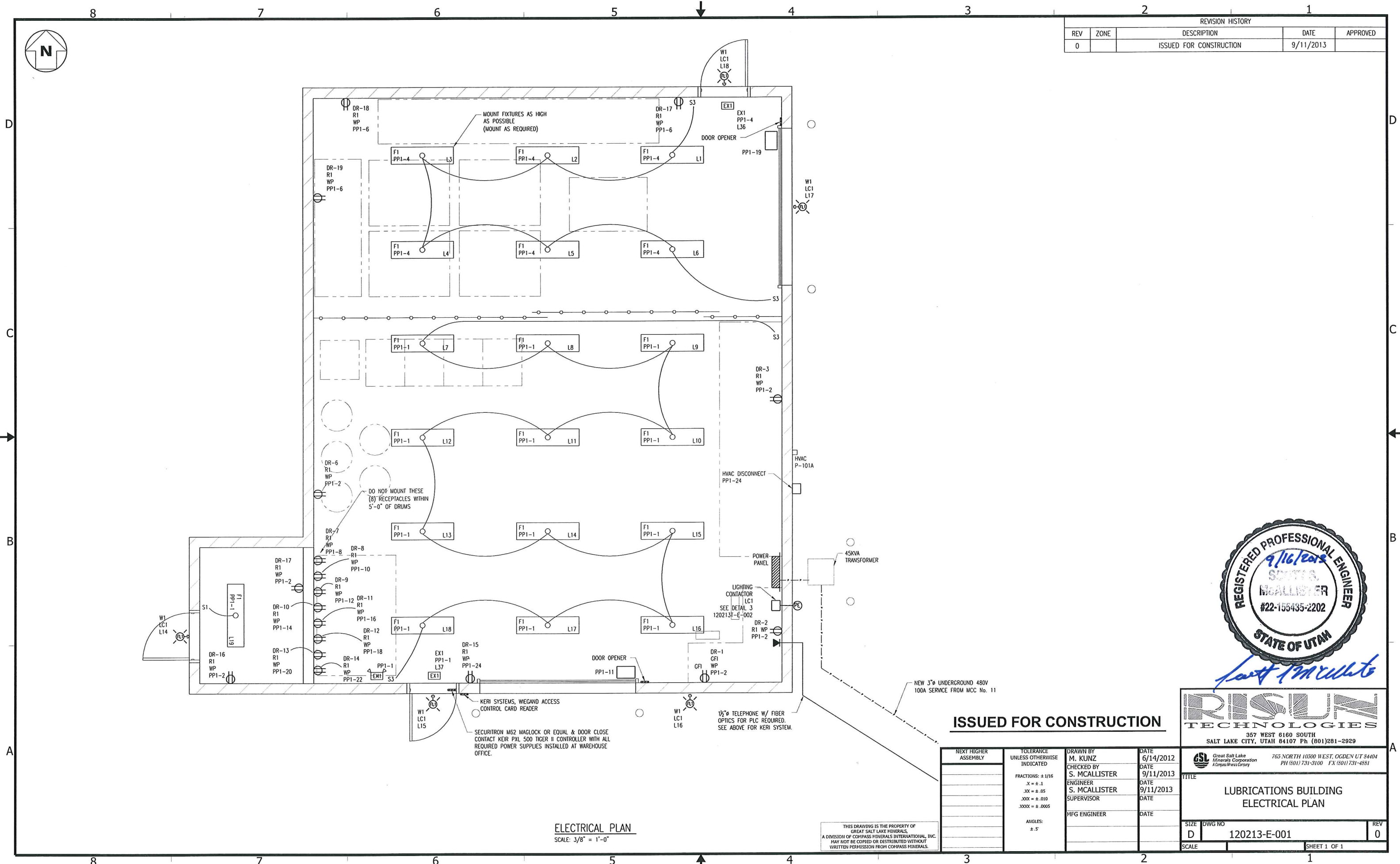
NEXT HIGHER ASSEMBLY	TOLERANCE UNLESS OTHERWISE INDICATED	DRAWN BY	DATE
	FRACTIONS: ± 1/16	C. TEMBY	6/14/2012
	.X = ± .1	CHECKED BY	DATE
	.XX = ± .05	B. LLOYD	9/11/2013
	.XXX = ± .010	ENGINEER	DATE
	.XXXX = ± .0005	J. JORGENSEN	9/11/2013
	ANGLES: ± .5°	SUPERVISOR	DATE
		MFG ENGINEER	DATE

TITLE
LUBRICATIONS BUILDING
ARCHITECTURAL SECTIONS & DETAILS

SIZE	DWG NO	REV
D	120213-A-004	0
SCALE AS NOTED	SHEET 1 OF 1	

THIS DRAWING IS THE PROPERTY OF GREAT SALT LAKE MINERALS, A DIVISION OF COMPASS MINERALS INTERNATIONAL, INC. MAY NOT BE COPIED OR DISTRIBUTED WITHOUT WRITTEN PERMISSION FROM COMPASS MINERALS.

REVISION HISTORY				
REV	ZONE	DESCRIPTION	DATE	APPROVED
0		ISSUED FOR CONSTRUCTION	9/11/2013	



RISUN TECHNOLOGIES
 357 WEST 8100 SOUTH
 SALT LAKE CITY, UTAH 84107 Ph (801)281-2929

Great Salt Lake Minerals Corporation
 765 NORTH 10300 WEST, OGDEN UT 84404
 PH (501) 731-3100 FX (501) 731-4551

TITLE
LUBRICATIONS BUILDING ELECTRICAL PLAN

SIZE DWG NO
D 120213-E-001

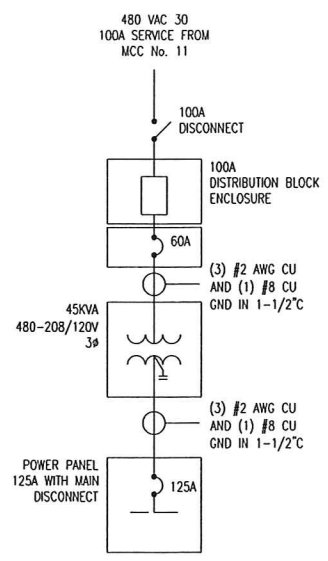
DATE	BY	DESCRIPTION
6/14/2012	M. KUNZ	DRAWN BY
9/11/2013	S. MCALLISTER	CHECKED BY
9/11/2013	S. MCALLISTER	ENGINEER
	S. MCALLISTER	SUPERVISOR
		MFG ENGINEER

ISSUED FOR CONSTRUCTION

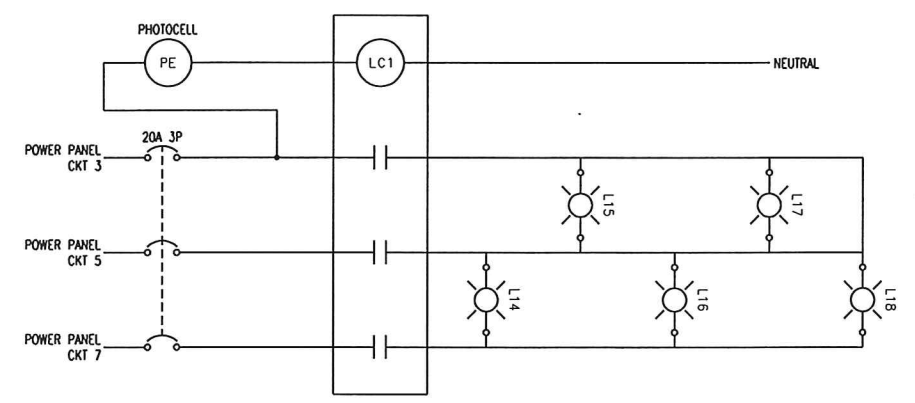
ELECTRICAL PLAN
 SCALE: 3/8" = 1'-0"

THIS DRAWING IS THE PROPERTY OF GREAT SALT LAKE MINERALS, A DIVISION OF COMPASS MINERALS INTERNATIONAL, INC. MAY NOT BE COPIED OR DISTRIBUTED WITHOUT WRITTEN PERMISSION FROM COMPASS MINERALS.

REVISION HISTORY				
REV	ZONE	DESCRIPTION	DATE	APPROVED
0		ISSUED FOR CONSTRUCTION	9/11/2013	



ELECTRICAL ONE LINE DIAGRAM 1
SCALE: NOT TO SCALE E-002

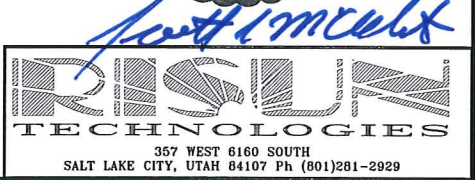


ELECTRICAL LIGHTING CONTROL WIRING DIAGRAM 2
SCALE: NOT TO SCALE E-002

Panel Name:		POWER PANEL		Panel Amperage:		125A	
Voltage & Phase:		120/208Y-3Ø		Panel A.I.C. Rating:		10kAIC	
Mouting:	Surface			MCB /			
Description	Brk	Phase	Brk	Description	Brk	Phase	Description
LIGHTING	20	1	A	2	15	RECEP. (DR-1,DR-2,DR-6,DR-16,DR-17)	
LIGHTING CONTROL PANEL (LC)	20	3	B	4	15	LIGHTING	
-	-	5	C	6	15	RECEP. (DR-17,DR-18,DR-19)	
-	-	7	A	8	15	RECEP. (DR-7)	
SPARE		9	B	10	15	RECEP. (DR-8)	
DOOR OPENER	20	11	C	12	15	RECEP. (DR-9)	
SPARE		13	A	14	15	RECEP. (DR-10)	
SPARE		15	B	16	15	RECEP. (DR-11)	
SPARE		17	C	18	15	RECEP. (DR-12)	
DOOR OPENER	20	19	A	20	15	RECEP. (DR-13)	
SPARE		21	B	22	15	RECEP. (DR-14)	
SPARE		23	C	24	15	RECEP. (DR-15)	
HVAC P-101A	60	25	A	26		SPARE	
-	-	27	B	28		SPARE	
-	-	29	C	30		SPARE	
		A	B	C			
Load Totals	8911	5904	6796				
Total VA Loads	9558	6274	7004				
Load Balance	125.6%	82.4%	92.0%				
VA Load This Panel			22836.5				
Amperage This Panel Per Largest Phase VA			79.7				

LIGHT FIXTURE SCHEDULE		
PPC2		PANEL & CIRCUIT NUMBER
PI		FIXTURE TYPE
AB		PHASE (IF REQUIRED)
10'-0"		MOUNTING HEIGHT
		FIXTURE LEGEND:
C		CEILING
P		PENDANT
S		STANCHION
W		WALL
FL		FLOOD
F		FLUORESCENT
E		EMERGENCY
EX		EXIT
DWG SYMBOL	MOUNTING DETAIL &	
(W1)	X	WALL MOUNT FIXTURE 120V 175W MH USE PLANT STANDARD FIXTURE
(FL)	X	FLOODLIGHT INDUSTRIAL FIXTURE 208V 400W MH WALL MOUNT WIDELITE MFP-400C-208-LQ-M-WB1M-WB5M, QUARTZ RESTRIKE
(R1)	X	20A, 120 VAC, DUPLEX RECEPTACLE, (WP)WEATHER TIGHT COVER USE PLANT STANDARD FIXTURE
(GF1)	X	20A, 120 VAC, CFI RECEPTACLE, (WP)WEATHER TIGHT COVER USE PLANT STANDARD FIXTURE
(F1)	X	FLUORESCENT FIXTURE 1' X 4' INDUSTRIAL 2 LAMP WITH HOOD HOLOPHANE HB14254TSHO
(EM1)	X	EMERGENCY LIGHT BATTERY 2 LIGHT HOLOPHANE CORTEZ A4 #C4-CT-50-W-HT12-2-A1
(EX1)	X	EXIT SIGN USE PLANT STANDARD FIXTURE
(PE)	X	PHOTO CELL USE PLANT STANDARD UNIT
(P)	X	WALL MOUNT FIXTURE, COMMUNICATIONS USE PLANT STANDARD FIXTURE

NOTE: PROVIDE GROUNDING PER GREAT SALT LAKE MINERALS STANDARD.



ISSUED FOR CONSTRUCTION

NEXT HIGHER ASSEMBLY	TOLERANCE UNLESS OTHERWISE INDICATED	DRAWN BY	DATE
	FRACTIONS: ± 1/16	M. KUNZ	9/10/2013
	.X = ± .1	CHECKED BY	DATE
	.XX = ± .05	S. MCALLISTER	9/11/2013
	.XXX = ± .010	ENGINEER	DATE
	.XXXX = ± .0005	S. MCALLISTER	9/11/2013
	ANGLES: ± .5	SUPERVISOR	DATE
		MFG ENGINEER	DATE

		765 NORTH 10500 WEST, OGDEN UT 84404 PH (801) 731-3100 FX (801) 731-4851
TITLE LUBRICATIONS BUILDING ELECTRICAL SCHEDULES, ONELINE & HAZARDOUS AREA CLASSIFICATION		
SIZE	DWG NO	REV
D	120213-E-002	0
SCALE	SHEET 1 OF 2	

THIS DRAWING IS THE PROPERTY OF GREAT SALT LAKE MINERALS, A DIVISION OF COMPASS MINERALS INTERNATIONAL, INC. MAY NOT BE COPIED OR DISTRIBUTED WITHOUT WRITTEN PERMISSION FROM COMPASS MINERALS.

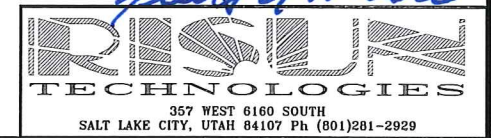
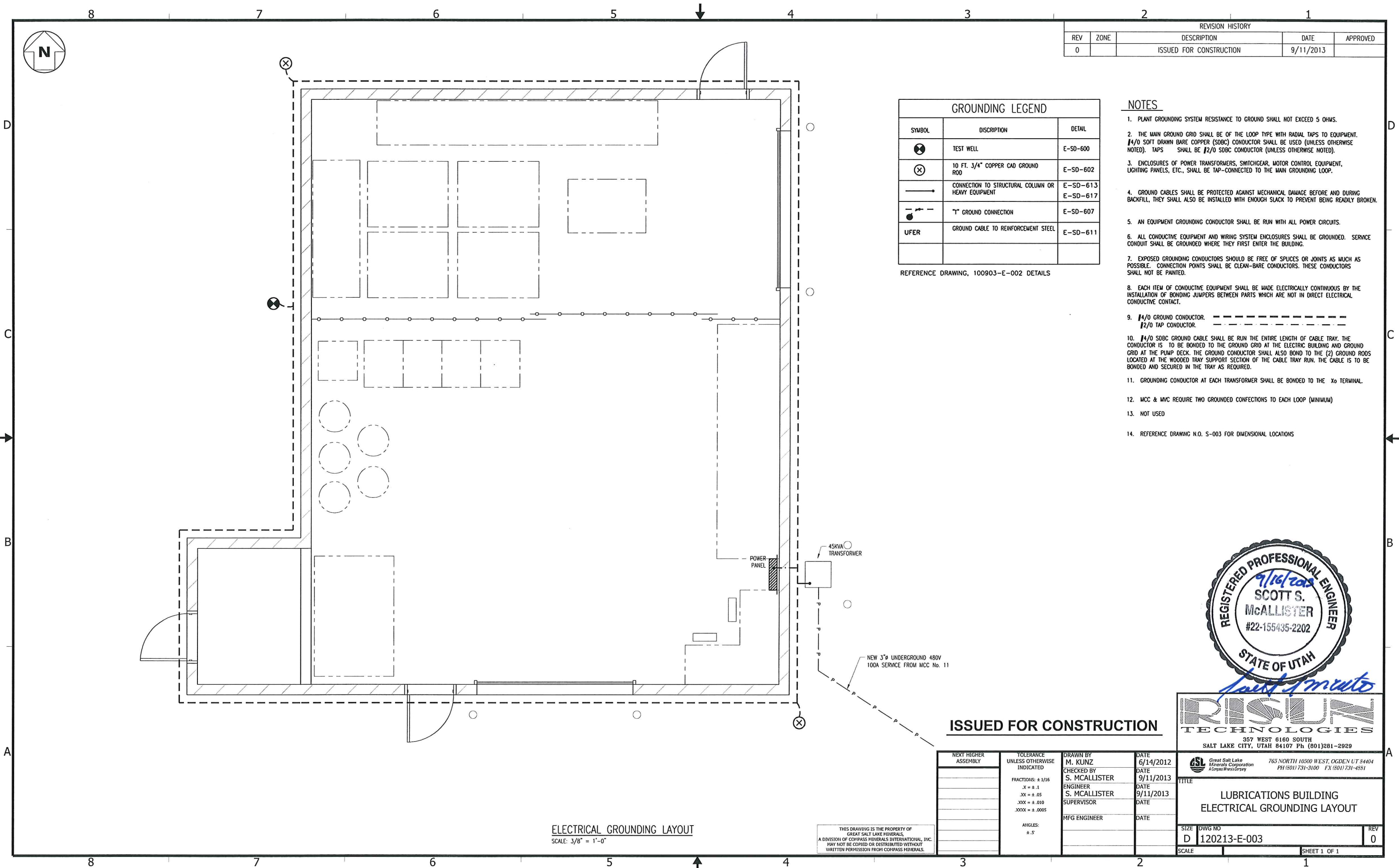
REVISION HISTORY				
REV	ZONE	DESCRIPTION	DATE	APPROVED
0		ISSUED FOR CONSTRUCTION	9/11/2013	

NOTES

1. PLANT GROUNDING SYSTEM RESISTANCE TO GROUND SHALL NOT EXCEED 5 OHMS.
2. THE MAIN GROUND GRID SHALL BE OF THE LOOP TYPE WITH RADIAL TAPS TO EQUIPMENT. #4/0 SOFT DRAWN BARE COPPER (SDBC) CONDUCTOR SHALL BE USED (UNLESS OTHERWISE NOTED). TAPS SHALL BE #2/0 SDBC CONDUCTOR (UNLESS OTHERWISE NOTED).
3. ENCLOSURES OF POWER TRANSFORMERS, SWITCHGEAR, MOTOR CONTROL EQUIPMENT, LIGHTING PANELS, ETC., SHALL BE TAP-CONNECTED TO THE MAIN GROUNDING LOOP.
4. GROUND CABLES SHALL BE PROTECTED AGAINST MECHANICAL DAMAGE BEFORE AND DURING BACKFILL, THEY SHALL ALSO BE INSTALLED WITH ENOUGH SLACK TO PREVENT BEING READILY BROKEN.
5. AN EQUIPMENT GROUNDING CONDUCTOR SHALL BE RUN WITH ALL POWER CIRCUITS.
6. ALL CONDUCTIVE EQUIPMENT AND WIRING SYSTEM ENCLOSURES SHALL BE GROUNDED. SERVICE CONDUIT SHALL BE GROUNDED WHERE THEY FIRST ENTER THE BUILDING.
7. EXPOSED GROUNDING CONDUCTORS SHOULD BE FREE OF SPICES OR JOINTS AS MUCH AS POSSIBLE. CONNECTION POINTS SHALL BE CLEAN-BARE CONDUCTORS. THESE CONDUCTORS SHALL NOT BE PAINTED.
8. EACH ITEM OF CONDUCTIVE EQUIPMENT SHALL BE MADE ELECTRICALLY CONTINUOUS BY THE INSTALLATION OF BONDING JUMPERS BETWEEN PARTS WHICH ARE NOT IN DIRECT ELECTRICAL CONDUCTIVE CONTACT.
9. #4/0 GROUND CONDUCTOR. #2/0 TAP CONDUCTOR.
10. #4/0 SDBC GROUND CABLE SHALL BE RUN THE ENTIRE LENGTH OF CABLE TRAY. THE CONDUCTOR IS TO BE BONDED TO THE GROUND GRID AT THE ELECTRIC BUILDING AND GROUND GRID AT THE PUMP DECK. THE GROUND CONDUCTOR SHALL ALSO BOND TO THE (2) GROUND RODS LOCATED AT THE WOODED TRAY SUPPORT SECTION OF THE CABLE TRAY RUN. THE CABLE IS TO BE BONDED AND SECURED IN THE TRAY AS REQUIRED.
11. GROUNDING CONDUCTOR AT EACH TRANSFORMER SHALL BE BONDED TO THE Xo TERMINAL.
12. MCC & MYC REQUIRE TWO GROUNDED CONFECTIONS TO EACH LOOP (MINIMUM)
13. NOT USED
14. REFERENCE DRAWING N.O. S-003 FOR DIMENSIONAL LOCATIONS

GROUNDING LEGEND		
SYMBOL	DISCRIPTION	DETAIL
	TEST WELL	E-SD-600
	10 FT. 3/4" COPPER CAD GROUND ROD	E-SD-602
	CONNECTION TO STRUCTURAL COLUMN OR HEAVY EQUIPMENT	E-SD-613 E-SD-617
	"T" GROUND CONNECTION	E-SD-607
	GROUND CABLE TO REINFORCEMENT STEEL	E-SD-611

REFERENCE DRAWING, 100903-E-002 DETAILS



ISSUED FOR CONSTRUCTION

NEXT HIGHER ASSEMBLY	TOLERANCE UNLESS OTHERWISE INDICATED FRACTIONS: ± 1/16 .X = ± .1 .XX = ± .05 .XXX = ± .010 .XXXX = ± .0005 ANGLES: ± .5	DRAWN BY M. KUNZ CHECKED BY S. MCALLISTER ENGINEER S. MCALLISTER SUPERVISOR MFG ENGINEER	DATE 6/14/2012 DATE 9/11/2013 DATE 9/11/2013 DATE
----------------------	---	---	---

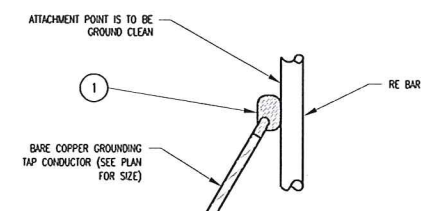
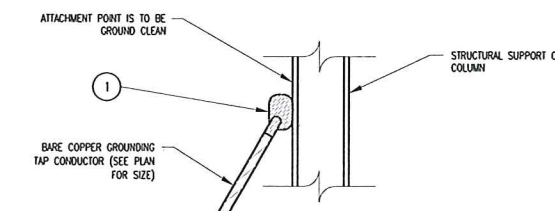
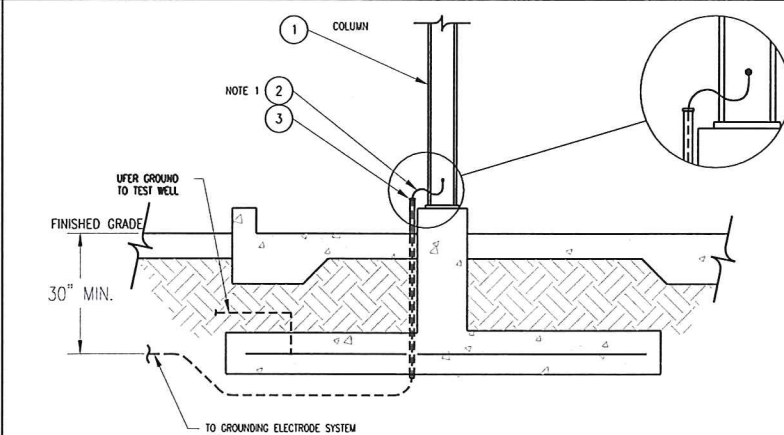
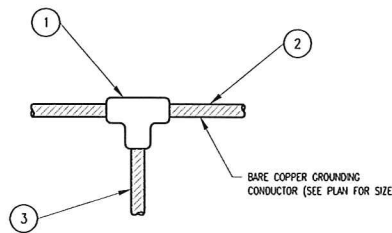
 Great Salt Lake Minerals Corporation A Compass Minerals Company 765 NORTH 10500 WEST, OGDEN UT 84404 PH (801) 731-3100 FX (801) 731-4551	
TITLE LUBRICATIONS BUILDING ELECTRICAL GROUNDING LAYOUT	
SIZE D	DWG NO 120213-E-003
SCALE	REV 0
SHEET 1 OF 1	

ELECTRICAL GROUNDING LAYOUT
SCALE: 3/8" = 1'-0"

THIS DRAWING IS THE PROPERTY OF GREAT SALT LAKE MINERALS, A DIVISION OF COMPASS MINERALS INTERNATIONAL, INC. MAY NOT BE COPIED OR DISTRIBUTED WITHOUT WRITTEN PERMISSION FROM COMPASS MINERALS.

REVISION HISTORY				
REV	ZONE	DESCRIPTION	DATE	APPROVED
0		ISSUED FOR CONSTRUCTION	9/11/2013	

DETAIL SYMBOL	DESCRIPTION	MODEL NO.	DETAIL SYMBOL	DESCRIPTION	MODEL NO.	DETAIL SYMBOL	DESCRIPTION	MODEL NO.	DETAIL SYMBOL	DESCRIPTION	MODEL NO.
	TEE (THERMOWELD)	E-SD-607		STRUCTURAL GROUNDING (THROUGH FOUNDATION STUB-UP)	E-SD-617		GROUND CONDUCTOR TO STRUCTURAL STEEL (THERMOWELD)	E-SD-613		GROUND CONDUCTOR TO STEEL REINFORCEMENT (UFER) (THERMOWELD)	E-SD-611

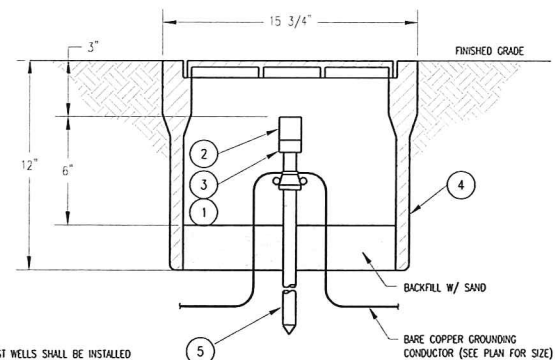
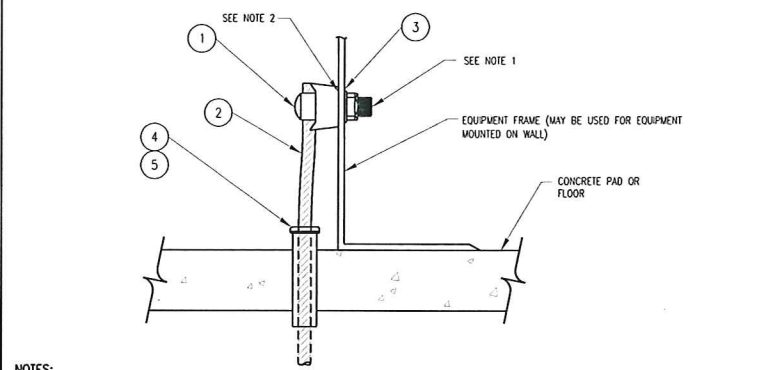
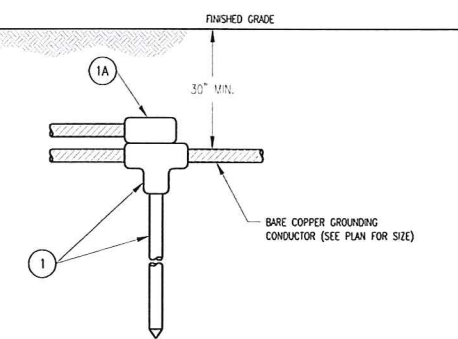


- NOTES:**
- GROUNDING CONNECTIONS SHALL BE INSTALLED ON VESSEL SUPPORTS. DO NOT ATTACH TO SHELL OF VESSEL.
 - REPAIR DAMAGED GALVANIZED SURFACES WITH ZINC RICH PAINT.
 - REPAIR DAMAGED FIRE-PROOFING OF COLUMNS AND BEAMS.
 - REFERENCE DETAIL E-SD-611.

NOTES:

ITEM	QTY	DESCRIPTION	MANUFACTURER	MODEL NO.	ITEM	QTY	DESCRIPTION	MANUFACTURER	MODEL NO.	ITEM	QTY	DESCRIPTION	MANUFACTURER	MODEL NO.	ITEM	QTY	DESCRIPTION	MANUFACTURER	MODEL NO.
1	1	MOLD/CARTRIDGE FOR #4/0 MAIN AND #2/0 TAP	CADWELD	TAC-202G/90	1	AR	GROUNDING CONDUCTOR, COPPER, #2/0			1	1	MOLD/CARTRIDGE FOR #2/0 CONDUCTOR	CADWELD	VSC-2G/90	1	1	MOLD/CARTRIDGE FOR #2/0 CONDUCTOR		
2	AR	GROUNDING CONDUCTOR, COPPER, #4/0			2	1	BUSHING, CPVC CONDUIT, 3/4"			2	AR	GROUNDING CONDUCTOR, COPPER, #2/0			2	AR	GROUNDING CONDUCTOR, COPPER, #2/0		
3	AR	GROUNDING CONDUCTOR, COPPER, #2/0			3	1	CONDUIT, CPVC, 3/4" X 12"			3					3				
4					4					4					4				
5					5					5					5				

DETAIL SYMBOL	DESCRIPTION	MODEL NO.	DETAIL SYMBOL	DESCRIPTION	MODEL NO.	DETAIL SYMBOL	DESCRIPTION	MODEL NO.
	GROUND ROD (THERMOWELD)	E-SD-602		EQUIP. FRAME GROUND TO GROUND ELECTRODE SYS. (MECHANICAL CONNECTION)	E-SD-617		TEST WELL (U-BOLT TYPE)	E-SD-600



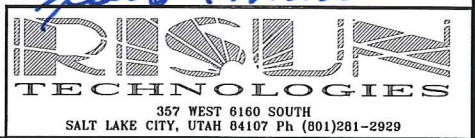
- NOTES:**
- CONTRACTOR IS TO DRILL HOLE IN THE EQUIP. FRAME OF SUPPORT LEG AND USE A STAR WASHER IN CONJUNCTION WITH THE WASHER THAT COMES WITH THE GROUND CONNECTOR. THE HOLE IS TO BE SIZED ACCORDING TO THE CONNECTOR BEING USED.
 - THE EQUIPMENT SURFACE MUST BE CLEANED TO BARE METAL & THE GROUND-RODS TYPE SIL CONDUCTING GREASE APPLIED PRIOR TO THE LOG ATTACHMENT.
 - REFERENCE DETAIL E-SD-611.

- NOTE:**
- TOP OF GROUND TEST WELLS SHALL BE INSTALLED EVEN WITH FINISH GRADE.

ITEM	QTY	RUH (A)	MATERIAL DESCRIPTION				REMARKS	ITEM	QTY	MANUFACTURER	MODEL NO.	ITEM	QTY	CONDUCTOR SIZE	MATERIAL DESCRIPTION		REMARKS
			GROUND ROD	CADWELD CAT. No.	GROUND CONNECTION	CAT. No.											
1	-	#250	3/4"x10"	-	GTC-182V	115	1	1	BARTAP GROUND CONNECTOR	BURNDY	QCFL	1	1	#4/0	BURNDY	CAR6429	
	-	#4/0	3/4"x10"	-	GTC-182G	115	2	AR	GROUNDING CONDUCTOR, COPPER, #2/0			2	1	#2/0	WEAVER 334D ROD DRIVER		USE FOR INSTALLING ROD ONLY
	-	#2/0	3/4"x10"	-	GTC-182G	115	3	1	STAR WASHER, 1/2"	BURNDY	SONNBOX	3	1		WEAVER 134D COUPLING		USE FOR INSTALLING ROD ONLY
	-	#4/0	3/4"x10"	-	NCR-182G	250	4	1	BUSHING, CPVC CONDUIT, 3/4"			4	1		METER BOX W/ CAST IRON COVER, BROOKS #371		
	-	#2/0	3/4"x10"	-	NCR-182G	200	5	1	CONDUIT, CPVC, 3/4" X 12"			5	1		GROUND ROD, 3/4"x10"-0", WEAVER #348		
	-	#2	3/4"x10"	-	NCR-181V	115											



ISSUED FOR CONSTRUCTION



NEXT HIGHER ASSEMBLY	TOLERANCE UNLESS OTHERWISE INDICATED FRACTIONS: ± 1/16 .X = ± .1 .XX = ± .05 .XXX = ± .010 .XXXX = ± .0005 ANGLES: ± .5	DRAWN BY M. KUNZ	DATE 6/14/2012
		CHECKED BY S. MCALLISTER	DATE 9/11/2013
		ENGINEER S. MCALLISTER	DATE 9/11/2013
		SUPERVISOR	DATE
		MFG ENGINEER	DATE
SIZE D	DWG NO 120213-E-004	REV 0	SCALE SHEET 1 OF 1

THIS DRAWING IS THE PROPERTY OF GREAT SALT LAKE MINERALS, INC. A DIVISION OF COMPASS MINERALS INTERNATIONAL, INC. MAY NOT BE COPIED OR DISTRIBUTED WITHOUT WRITTEN PERMISSION FROM COMPASS MINERALS.