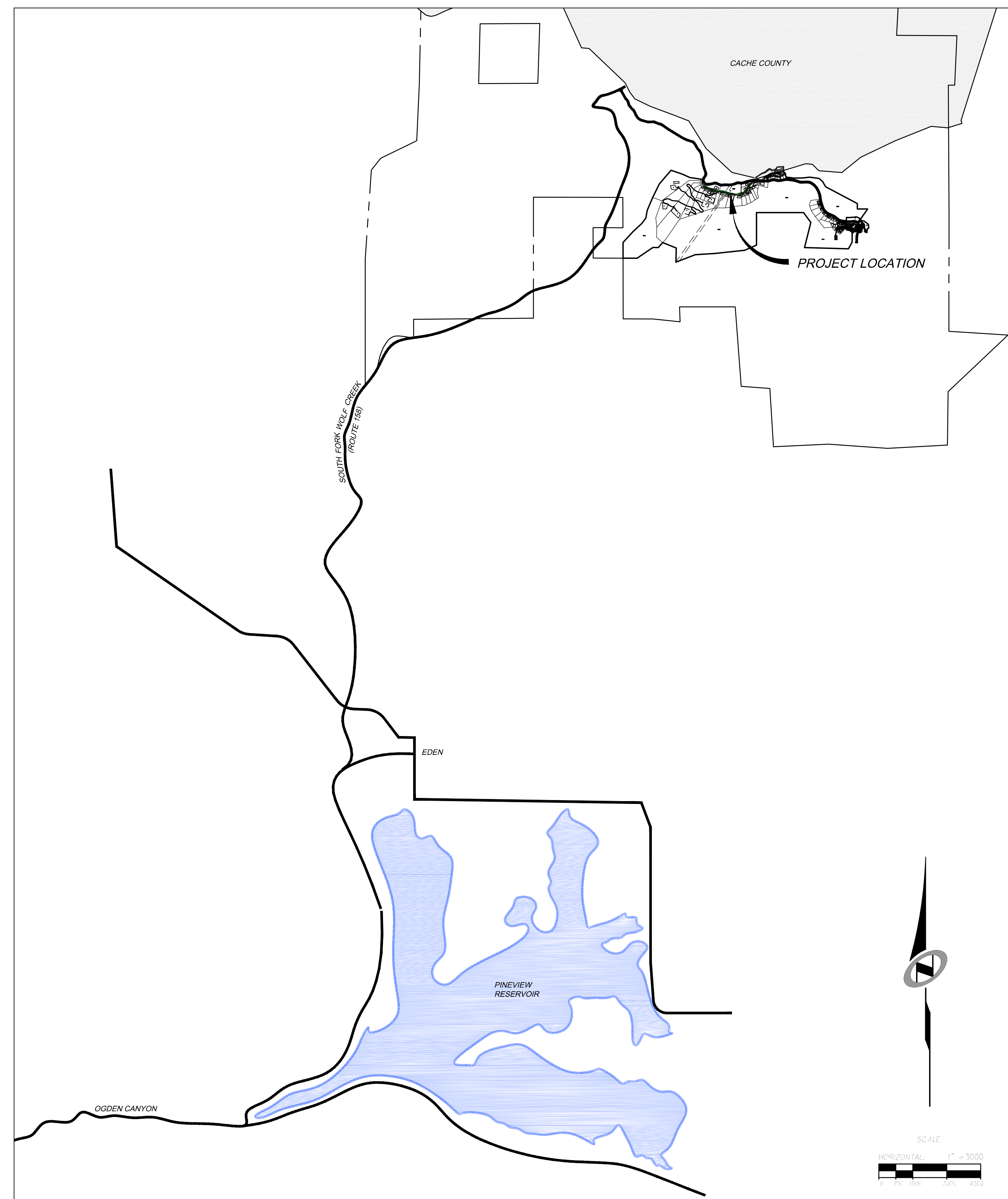


DATE: 5/27/14 TIME: 4:01:56 PM DRAWING NAME: P1007.DWG
 SERVER: NONE PAGE SETUP: LAYOUT: P1007
 PATH: N:\SLB0793\CADD\PHASE 1\VP\PT-A DESIGNER: JHH PROJ. NO: ###

SUMMIT EDEN PHASE 1A

ROADWAY AND UTILITY CONSTRUCTION DRAWINGS

Located in Sec 01 T7N R1E
Weber County, Utah



SHEET INDEX:

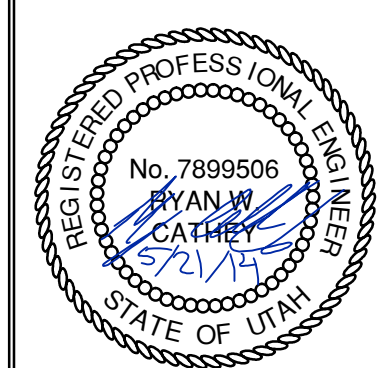
SHEET NUMBER	SHEET DESCRIPTION
1.00	CIVIL TITLE SHEET
1.01	GENERAL NOTES, LEGEND, AND KEYNOTES
1.02	SHEET KEYMAP
1.03	OVERALL UTILITY
1.04	OVERALL GRADING AND DRAINAGE
1.05	ROADWAY TYPICAL SECTION
2.00	PLAN & PROFILE - HORIZON RUN
2.01	PLAN & PROFILE - HORIZON RUN
2.02	PLAN & PROFILE - HORIZON RUN
3.00	EARTHWORK & SECTIONS - HORIZON RUN
3.01	EARTHWORK & SECTIONS - HORIZON RUN
3.02	EARTHWORK & SECTIONS - HORIZON RUN
4.00	EROSION CONTROL PLAN - HORIZON RUN
4.01	EROSION CONTROL PLAN - HORIZON RUN
5.00	STORM DRAIN DETAILS
5.01	WATER DETAILS
5.10	SEWER DETAILS
5.11	SEWER DETAILS
5.12	MISCELLANEOUS DETAILS
5.20	ELECTRICAL DETAILS
5.30	MISCELLANEOUS DETAILS
E1	ELECTRICAL NOTES AND DETAILS
E2	ELECTRICAL SITE PLAN AND SEWAGE LIFT STATION NUMBER 2
E3	LIFT STATION NUMBER 2 POWER ONE-LINE DIAGRAM
GE-1	ELECTRICAL DETAILS
GE-2	ELECTRICAL DETAILS
1.1	COVER SHEET
1.2	PLAN VIEW
1.3	DESIGN CRITERIA
1.4a	SECTION VIEW
1.4b	SECTION VIEW
1.5	ARC ROCKERY CONSTRUCTION DETAILS
2.1	FHWA ROCKERY DESIGN CALCULATIONS
2.2	SLIDE CALCULATION OUTPUT

SUMMIT EDEN PHASE 1A

CIVIL TITLE SHEET

PREPARED FOR: SUMMIT MOUNTAIN HOLDING GROUP, LLC DATE SUBMITTED: 01/07/2014

NV5
 BEYOND ENGINEERING
 627 SOUTH STATE STREET, SUITE 200
 801743.0000 TEL 801743.0000 FAX
 MURRAY, UT 84407
 WWW.NV5.COM



SHEET NUMBER
1.00

SCALE
 VERTICAL: 1" = 8'
 HORIZONTAL: 1" = 3000'

JOB NUMBER
SLB079306

BURNINGHAM
 XREFS:

CAUTION
 The engineer preparing these plans will not be responsible for, or liable for, unauthorized changes to or uses of these plans unless they are approved by the preparer of these plans.

GENERAL NOTES

1. ALL CONSTRUCTION MUST STRICTLY FOLLOW THE STANDARDS AND SPECIFICATIONS SET FORTH BY: GOVERNING UTILITY MUNICIPALITY, GOVERNING CITY OR COUNTY (IF UN-INCORPORATED), INDIVIDUAL PRODUCT MANUFACTURERS, THE DESIGN ENGINEER, AND AMERICAN PUBLIC WORKS ASSOCIATION (APWA). THE ORDER LISTED ABOVE IS ARRANGED BY SENIORITY. IF A CONSTRUCTION PRACTICE IS NOT SPECIFIED BY ANY OF THE LISTED SOURCES, CONTRACTOR MUST CONTACT DESIGN ENGINEER FOR DIRECTION.
2. CONTRACTOR TO STRICTLY FOLLOW GEOTECHNICAL RECOMMENDATIONS FOR THIS PROJECT. ALL GRADING INCLUDING BUT NOT LIMITED TO CUT, FILL, COMPACTON, ASPHALT SECTION, SUBBASE, TRENCH EXCAVATION/BACKFILL, SITE GRUBBING, RETAINING WALLS AND FOOTINGS MUST BE COORDINATED DIRECTLY WITH THE PROJECT GEOTECHNICAL ENGINEER.
3. TRAFFIC CONTROL, STRIPING & SIGNAGE TO CONFORM TO CURRENT UDOT TRANSPORTATION ENGINEER'S MANUAL AND MANUAL OF UNIFORM TRAFFIC CONTROL DEVICES.
4. ANY AREA OUTSIDE THE LIMIT OF WORK THAT IS DISTURBED SHALL BE RESTORED TO ITS ORIGINAL CONDITION AT NO COST TO OWNER.
5. CONSULT ALL OF THE DRAWINGS AND SPECIFICATIONS FOR COORDINATION REQUIREMENTS BEFORE COMMENCING CONSTRUCTION.
6. AT ALL LOCATIONS WHERE EXISTING PAVEMENT ABUTS NEW CONSTRUCTION, THE EDGE OF THE EXISTING PAVEMENT SHALL BE SAWCUT TO A CLEAN, SMOOTH EDGE.
7. ALL CONSTRUCTION AND MATERIALS SHALL BE IN ACCORDANCE WITH THE MOST RECENT, ADOPTED EDITION OF ADA ACCESSIBILITY GUIDELINES.
8. PRIOR TO STARTING CONSTRUCTION, THE CONTRACTOR SHALL BE RESPONSIBLE FOR MAKING SURE THAT ALL REQUIRED PERMITS AND APPROVALS HAVE BEEN OBTAINED. NO CONSTRUCTION OR FABRICATION SHALL BEGIN UNTIL THE CONTRACTOR HAS RECEIVED THOROUGHLY REVIEWED PLANS AND OTHER DOCUMENTS APPROVED BY ALL OF THE PERMITTING AUTHORITIES.
9. CONTRACTOR IS RESPONSIBLE FOR SCHEDULING AND NOTIFYING ENGINEER OR INSPECTING AUTHORITY 48 HOURS IN ADVANCE OF COVERING UP ANY PHASE OF CONSTRUCTION REQUIRING OBSERVATION.
10. ANY WORK IN THE PUBLIC RIGHT-OF-WAY WILL REQUIRE PERMITS FROM THE APPROPRIATE, CITY, COUNTY OR STATE AGENCY CONTROLLING THE ROAD, INCLUDING OBTAINING REQUIRED INSPECTIONS.
11. ALL DIMENSIONS, GRADES & UTILITY DESIGNS SHOWN ON THE PLANS SHALL BE VERIFIED BY THE CONTRACTOR PRIOR TO CONSTRUCTION. CONTRACTOR SHALL NOTIFY ENGINEER OF ANY DISCREPANCIES PRIOR TO PROCEEDING WITH CONSTRUCTION FOR NECESSARY PLAN OR GRADE CHANGES.
12. CONTRACTOR MUST VERIFY ALL EXISTING CONDITIONS BEFORE BIDDING AND BRING UP ANY QUESTIONS BEFOREHAND.
13. SITE GRADING SHALL BE PERFORMED IN ACCORDANCE WITH THESE PLANS AND SPECIFICATIONS AND THE RECOMMENDATIONS SET FORTH BY THE GEOTECHNICAL ENGINEER.
14. CATCH SLOPES SHALL BE GRADED AS SPECIFIED ON GRADING PLANS.
15. CONTRACTOR SHALL BE RESPONSIBLE FOR ALL FLAGGING, CAUTION SIGNS, LIGHTS, BARRICADES, FLAGMEN, AND ALL OTHER DEVICES NECESSARY FOR PUBLIC SAFETY.
16. CONTRACTOR SHALL, AT THE TIME OF BIDDING AND THROUGHOUT THE PERIOD OF THE CONTRACT, BE LICENSED IN THE STATE OF UTAH AND SHALL BE BONDABLE FOR AN AMOUNT EQUAL TO OR GREATER THAN THE AMOUNT BID AND TO DO THE TYPE OF WORK CONTEMPLATED IN THE PLANS AND SPECIFICATIONS. CONTRACTOR SHALL BE SKILLED AND REGULARLY ENGAGED IN THE GENERAL CLASS AND TYPE OF WORK CALLED FOR IN THE PLANS AND SPECIFICATIONS.
17. CONTRACTOR SHALL INSPECT THE SITE OF THE WORK PRIOR TO BIDDING TO SATISFY HIMSELF BY PERSONAL EXAMINATION OR BY SUCH OTHER MEANS AS HE MAY PREFER OF THE LOCATION OF THE PROPOSED WORK AND OF THE ACTUAL CONDITIONS OF AND AT THE SITE OF WORK. IF, DURING THE COURSE OF HIS EXAMINATION, A BIDDER FINDS FACTS OR CONDITIONS WHICH APPEAR TO HIM TO BE IN CONFLICT WITH THE LETTER OR SPIRIT OF THE PROJECT PLANS AND SPECIFICATIONS, HE SHALL CONTACT THE ENGINEER FOR ADDITIONAL INFORMATION AND EXPLANATION BEFORE SUBMITTING HIS BID. SUBMISSION OF A BID BY THE CONTRACTOR SHALL CONSTITUTE ACKNOWLEDGMENT THAT, IF AWARDED THE CONTRACT, HE HAS RELIED AND IS RELYING ON HIS OWN EXAMINATION OF (1) THE SITE OF THE WORK, (2) ACCESS TO THE SITE, AND (3) ALL OTHER DATA AND MATTERS REQUISITE TO THE FULFILLMENT OF THE WORK AND HIS OWN KNOWLEDGE OF EXISTING FACILITIES ON AND IN THE VICINITY OF THE SITE OF THE WORK TO BE CONSTRUCTED UNDER THIS CONTRACT. THE INFORMATION PROVIDED BY THE ENGINEER IS NOT INTENDED TO BE A SUBSTITUTE FOR, OR A SUPPLEMENT TO, THE INDEPENDENT VERIFICATION BY THE CONTRACTOR TO THE EXTENT SUCH INDEPENDENT INVESTIGATION OF SITE CONDITIONS IS DEEMED NECESSARY OR DESIRABLE BY THE CONTRACTOR. CONTRACTOR SHALL ACKNOWLEDGE THAT HE HAS NOT RELIED SOLELY UPON OWNER- OR ENGINEER-FURNISHED INFORMATION REGARDING SITE CONDITIONS IN PREPARING AND SUBMITTING HIS BID.
18. CONTRACTOR SHALL BE RESPONSIBLE TO PROVIDE ALL WATER, POWER, SANITARY FACILITIES AND TELEPHONE SERVICES AS REQUIRED FOR THE CONTRACTOR'S USE DURING CONSTRUCTION.
19. CONTRACTOR SHALL BE HELD RESPONSIBLE FOR ANY FIELD CHANGES MADE WITHOUT PRIOR WRITTEN AUTHORIZATION FROM THE OWNER, ENGINEER, AND/OR GOVERNING AGENCIES.
20. CONTRACTOR SHALL EXERCISE DUE CAUTION AND SHALL CAREFULLY PRESERVE BENCH MARKS, CONTROL POINTS, REFERENCE POINTS AND ALL SURVEY STAKES, AND SHALL BEAR ALL EXPENSES FOR REPLACEMENT AND/OR ERRORS CAUSED BY THEIR UNNECESSARY LOSS OR DISTURBANCE.
21. CONTRACTOR SHALL ASSUME SOLE AND COMPLETE RESPONSIBILITY FOR JOBSITE CONDITIONS DURING THE COURSE OF CONSTRUCTION OF THIS PROJECT, INCLUDING SAFETY OF ALL PERSONS AND PROPERTY. THIS RESPONSIBILITY SHALL APPLY CONTINUOUSLY AND NOT BE LIMITED TO NORMAL WORKING HOURS. THE CONTRACTOR SHALL DEFEND, INDEMNIFY AND HOLD THE OWNER AND ENGINEER HARMLESS FROM ANY AND ALL LIABILITY, REAL OR ALLEGED, IN CONNECTION WITH THE PERFORMANCE OF WORK ON THIS PROJECT, EXCEPTING FOR LIABILITY ARISING FROM THE SOLE NEGLIGENCE OF THE OWNER OR THE ENGINEER.
22. CONTRACTOR SHALL BE RESPONSIBLE FOR ADEQUATELY SCHEDULING INSPECTION AND TESTING OF ALL FACILITIES CONSTRUCTED UNDER THIS CONTRACT. ALL TESTING SHALL CONFORM TO THE REGULATORY AGENCY'S STANDARD SPECIFICATIONS. ALL TESTING AND INSPECTION SHALL BE PAID FOR BY THE OWNER; ALL RE-TESTING AND/OR RE-INSPECTION SHALL BE PAID FOR BY THE CONTRACTOR.
23. IF EXISTING IMPROVEMENTS NEED TO BE DISTURBED AND/OR REMOVED FOR THE PROPER PLACEMENT OF IMPROVEMENTS TO BE CONSTRUCTED BY THESE PLANS, THE CONTRACTOR SHALL BE RESPONSIBLE FOR PROTECTING EXISTING IMPROVEMENTS FROM DAMAGE. COST OF REPLACING OR REPAIRING EXISTING IMPROVEMENTS SHALL BE INCLUDED IN THE UNIT PRICE BID FOR ITEMS REQUIRING REMOVAL AND/OR REPLACEMENT. THERE WILL BE NO EXTRA COST DUE TO THE CONTRACTOR FOR REPLACING OR REPAIRING EXISTING IMPROVEMENTS.
24. WHENEVER EXISTING FACILITIES ARE REMOVED, DAMAGED, BROKEN, OR CUT IN THE INSTALLATION OF THE WORK COVERED BY THESE PLANS OR SPECIFICATIONS, SAID FACILITIES SHALL BE REPLACED AT THE CONTRACTOR'S EXPENSE WITH MATERIALS EQUAL TO OR BETTER THAN THE MATERIALS USED IN THE ORIGINAL EXISTING FACILITIES. THE FINISHED PRODUCT SHALL BE SUBJECT TO THE APPROVAL OF THE OWNER, THE ENGINEER, AND THE RESPECTIVE REGULATORY AGENCY.
25. CONTRACTOR SHALL MAINTAIN A NEATLY MARKED SET OF FULL-SIZE AS-BUILT RECORD DRAWINGS SHOWING THE FINAL LOCATION AND LAYOUT OF ALL STRUCTURES AND OTHER FACILITIES. AS-BUILT RECORD DRAWINGS SHALL REFLECT CHANGE ORDERS, ACCOMMODATIONS, AND ADJUSTMENTS TO ALL IMPROVEMENTS CONSTRUCTED. WHERE NECESSARY, SUPPLEMENTAL DRAWINGS SHALL BE PREPARED AND SUBMITTED BY THE CONTRACTOR. PRIOR TO ACCEPTANCE OF THE PROJECT, THE CONTRACTOR SHALL DELIVER TO THE ENGINEER ONE SET OF NEATLY MARKED AS-BUILT RECORD DRAWINGS SHOWING THE INFORMATION REQUIRED ABOVE. AS-BUILT RECORD DRAWINGS SHALL BE REVIEWED AND THE COMPLETE AS-BUILT RECORD DRAWING SET SHALL BE CURRENT WITH ALL CHANGES AND DEVIATIONS REDLINED AS A PRECONDITION TO THE FINAL PROGRESS PAYMENT APPROVAL AND/OR FINAL ACCEPTANCE.
26. WHERE THE PLANS OR SPECIFICATIONS DESCRIBE PORTIONS OF THE WORK IN GENERAL TERMS BUT NOT IN COMPLETE DETAIL, IT IS UNDERSTOOD THAT ONLY THE BEST GENERAL PRACTICE IS TO PREVAIL AND THAT ONLY MATERIALS AND WORKMANSHIP OF THE FIRST QUALITY ARE TO BE USED.

GENERAL NOTES CONT.

27. CONTRACTOR SHALL BE SKILLED AND REGULARLY ENGAGED IN THE GENERAL CLASS AND TYPE OF WORK CALLED FOR IN THE PROJECT PLANS AND SPECIFICATIONS. THEREFORE, THE OWNER IS RELYING UPON THE EXPERIENCE AND EXPERTISE OF THE CONTRACTOR. PRICES PROVIDED WITHIN THE CONTRACT DOCUMENTS SHALL INCLUDE ALL LABOR AND MATERIALS NECESSARY AND PROPER FOR THE WORK CONTEMPLATED AND THAT THE WORK BE COMPLETED IN ACCORDANCE WITH THE TRUE INTENT AND PURPOSE OF THESE PLANS AND SPECIFICATIONS. THE CONTRACTOR SHALL BE COMPETENT, KNOWLEDGEABLE AND HAVE SPECIAL SKILLS IN THE NATURE, EXTENT AND INHERENT CONDITIONS OF THE WORK TO BE PERFORMED. CONTRACTOR SHALL ALSO ACKNOWLEDGE THAT THERE ARE CERTAIN PECULIAR AND INHERENT CONDITIONS EXISTENT IN THE CONSTRUCTION OF THE PARTICULAR FACILITIES WHICH MAY CREATE, DURING THE CONSTRUCTION PROGRAM, UNUSUAL OR UNSAFE CONDITIONS HAZARDOUS TO PERSONS, PROPERTY AND THE ENVIRONMENT. CONTRACTOR SHALL BE AWARE OF SUCH PECULIAR RISKS AND HAVE THE SKILL AND EXPERIENCE TO FORESEE AND TO ADOPT PROTECTIVE MEASURES TO ADEQUATELY AND SAFELY PERFORM THE CONSTRUCTION WORK WITH RESPECT TO SUCH HAZARDS.
28. CONTRACTOR SHALL BE RESPONSIBLE FOR THE REMOVAL OF ALL STRIPING AND/OR PAVEMENT MARKINGS NECESSARY TO THE EXISTING STRIPING INTO FUTURE STRIPING. METHOD OF REMOVAL SHALL BE BY GRINDING OR SANDBLASTING.
29. CONTRACTOR SHALL PROVIDE ALL SHORING, BRACING, SLOPING OR OTHER PROVISIONS NECESSARY TO PROTECT WORKMEN FOR ALL AREAS TO BE EXCAVATED TO A DEPTH OF 4' OR MORE. FOR EXCAVATIONS 4 FEET OR MORE IN DEPTH, THE CONTRACTOR SHALL COMPLY WITH INDUSTRIAL COMMISSION OF UTAH SAFETY ORDERS SECTION 68 - EXCAVATIONS, AND SECTION 69 - TRENCHES, ALONG WITH ANY LOCAL CODES OR ORDINANCES.
30. ALL EXISTING GATES AND FENCES TO REMAIN UNLESS OTHERWISE NOTED ON PLANS. PROTECT ALL GATES AND FENCES FROM DAMAGE.
31. CONTRACTORS TO PROVIDE TEMPORARY ADDRESS MARKERS AT THE BUILDING SITE DURING CONSTRUCTION.

UTILITY NOTES

1. CONTRACTOR SHALL COORDINATE LOCATION OF NEW "DRY UTILITIES" WITH THE APPROPRIATE UTILITY COMPANY, INCLUDING BUT NOT LIMITED TO: TELEPHONE SERVICE, GAS SERVICE, CABLE, POWER, INTERNET.
2. EXISTING UTILITIES HAVE BEEN SHOWN ON THE PLANS USING A COMBINATION OF ON-SITE SURVEYS (BY OTHERS). PRIOR TO COMMENCING ANY WORK, IT SHALL BE THE CONTRACTOR'S RESPONSIBILITY TO HAVE EACH UTILITY COMPANY LOCATE, IN THE FIELD, THEIR MAIN AND SERVICE LINES. THE CONTRACTOR SHALL NOTIFY BLUE STAKES AT 11-900-662-4111 48 HOURS IN ADVANCE OF PERFORMING ANY EXCAVATION WORK. THE CONTRACTOR SHALL RECORD THE BLUE STAKES ORDER NUMBER AND FURNISH ORDER NUMBER TO OWNER AND ENGINEER PRIOR TO ANY EXCAVATION. IT WILL BE THE CONTRACTOR'S SOLE RESPONSIBILITY TO DIRECTLY CONTACT ANY OTHER UTILITY COMPANIES THAT ARE NOT MEMBERS OF BLUE STAKES. IT SHALL BE THE CONTRACTOR'S SOLE RESPONSIBILITY TO PROTECT ALL EXISTING UTILITIES SO THAT NO DAMAGE RESULTS TO THEM DURING THE PERFORMANCE OF THIS CONTRACT. ANY REPAIRS NECESSARY TO DAMAGED UTILITIES SHALL BE PAID FOR BY THE CONTRACTOR. THE CONTRACTOR SHALL BE REQUIRED TO COOPERATE WITH OTHER CONTRACTORS AND UTILITY COMPANIES INSTALLING NEW STRUCTURES, UTILITIES AND SERVICE TO THE PROJECT.
3. CONTRACTOR SHALL NOT HOLE ALL UTILITIES TO DETERMINE IF CONFLICTS EXIST PRIOR TO BEGINNING ANY EXCAVATION. NOTIFY ENGINEER OF ANY CONFLICTS. CONTRACTOR SHALL VERIFY LOCATION AND INVERTS OF EXISTING UTILITIES TO WHICH NEW UTILITIES WILL BE CONNECTED. PRIOR TO COMMENCING ANY EXCAVATION WORK THE CONTRACTOR SHALL NOTIFY ALL UTILITY COMPANIES IN ACCORDANCE WITH THE REQUIRED PROCEDURES.
4. CARE SHOULD BE TAKEN IN ALL EXCAVATIONS DUE TO POSSIBLE EXISTENCE OF UNRECORDED UTILITY LINES. EXCAVATION REQUIRED WITHIN PROXIMITY OF EXISTING UTILITY LINES SHALL BE DONE BY HAND. CONTRACTOR SHALL REPAIR ANY DAMAGE TO EXISTING UTILITY LINES OR STRUCTURES INCURRED DURING CONSTRUCTION OPERATIONS AT HIS EXPENSE.
5. ALL VALVES AND MANHOLE COVERS SHALL BE RAISED OR LOWERED TO MEET FINISHED GRADE.
6. CONTRACTOR SHALL CUT PIPES OFF FLUSH WITH THE INSIDE WALL OF THE BOX OR MANHOLE.
7. CONTRACTOR SHALL GROUT AT CONNECTION OF PIPE TO BOX WITH NON-SHRINKING GROUT, INCLUDING PIPE VOIDS LEFT BY CUTTING PROCESS, TO A SMOOTH FINISH.
8. CONTRACTOR SHALL GROUT WITH NON-SHRINK GROUT BETWEEN GRADE RINGS AND BETWEEN BOTTOM OF INLET LIU FRAME AND TOP OF CONCRETE BOX.
9. SILT AND DEBRIS IS TO BE CLEANED OUT OF ALL STORM DRAIN BOXES. CATCH BASINS ARE TO BE MAINTAINED IN A CLEANED CONDITION AS NEEDED UNTIL AFTER THE FINAL BOND RELEASE INSPECTION.
10. CONTRACTOR SHALL CLEAN ASPHALT, TAR OR OTHER ADHESIVES OFF OF ALL MANHOLE LIDS AND INLET GRATINGS TO ALLOW ACCESS.
11. EACH TRENCH SHALL BE EXCAVATED SO THAT THE PIPE CAN BE LAID TO THE ALIGNMENT AND GRADE AS REQUIRED. THE TRENCH WALL SHALL BE SO BRACED THAT THE WORKMEN MAY WORK SAFELY AND EFFICIENTLY. ALL TRENCHES SHALL BE DRAINED SO THE PIPE LAYING MAY TAKE PLACE IN DEWATERED CONDITIONS. THE CONTRACTOR IS SOLELY RESPONSIBLE FOR THE COST OF DEWATERING AND NO COST CHANGE WILL BE PROVIDED.
12. CONTRACTOR SHALL PROVIDE AND MAINTAIN AT ALL TIMES AMPLE MEANS AND DEVICES WITH WHICH TO REMOVE PROMPTLY AND TO PROPERLY DISPOSE OF ALL WATER ENTERING THE TRENCH EXCAVATION.
13. MAINTAIN A MINIMUM 18" VERTICAL SEPARATION DISTANCE BETWEEN ALL UTILITY CROSSINGS.
14. CONTRACTOR SHALL START INSTALLATION AT LOW POINT OF ALL NEW GRAVITY UTILITY LINES.
15. ALL BOLTED FITTINGS MUST BE GREASED AND WRAPPED.
16. UNLESS SPECIFICALLY NOTED OTHERWISE, MAINTAIN AT LEAST 2 FEET OF COVER OVER ALL STORM DRAIN LINES AT ALL TIMES (INCLUDING DURING CONSTRUCTION).
17. ALL WATER LINES SHALL BE INSTALLED A MINIMUM OF 60" OF COVER TO TOP OF PIPE BELOW FINISHED GRADE.
18. ALL SEWER LINES AND SEWER SERVICES SHALL HAVE A MINIMUM SEPARATION OF 10 FEET, PIPE EDGE TO PIPE EDGE, FROM THE WATER LINES.
19. CONTRACTOR SHALL INSTALL THRUST BLOCKING AT ALL WATERLINE ANGLE POINTS AND TEES.
20. ALL UNDERGROUND UTILITIES SHALL BE IN PLACE PRIOR TO INSTALLATION OF CURB, GUTTER, SIDEWALK AND STREET PAVING.
21. CONTRACTOR SHALL INSTALL MAGNETIC LOCATING TAPE CONTINUOUSLY OVER ALL NONMETALLIC PIPE.
22. THE CONTRACTOR SHALL NOTIFY NOLTE ASSOCIATES, INC. IN WRITING AT LEAST 48 HOURS PRIOR TO BACKFILLING OF ANY PIPE WHICH STUBS TO A FUTURE PHASE OF CONSTRUCTION FOR INVERT VERIFICATION. TOLERANCE SHALL BE IN ACCORDANCE WITH THE REGULATORY AGENCY STANDARD SPECIFICATIONS.
23. UNDER NO CIRCUMSTANCE SHALL THE PIPE OR ACCESSORIES BE DROPPED INTO THE TRENCH

GEOTECHNICAL REPORT

CONTRACTOR SHALL BE RESPONSIBLE FOR OBTAINING AND READ A COPY OF THE GEOTECHNICAL REPORT "DESIGN GEOTECHNICAL INVESTIGATION POWDER MOUNTAIN RESORT WEBER, COUNTY, UTAH" PRODUCED BY IGES. IGES PROJECT NUMBER 01628-003, DATED NOVEMBER 9, 2012. CONTRACTOR SHALL FOLLOW THE RECOMMENDATIONS AND GUIDELINES FOUND THEREIN.

LEGEND:

SYMBOL / LINETYPE	DESCRIPTION	DETAIL
	12" HDPE DR - 13.5 WATER PIPE (UNLESS NOTED OTHERWISE)	APWA PLAN NO. 381,382
	8" HDPE DR - 13.5 WATER PIPE (UNLESS NOTED OTHERWISE)	APWA PLAN NO. 381,382
	6" HDPE DR - 13.5 WATER PIPE (UNLESS NOTED OTHERWISE)	APWA PLAN NO. 381,382
	18" CLUII RCW DRAINAGE PIPE	APWA PLAN NO. 381,382
	DRAINAGE SWALE	N/A
	8" SDR - 35 PVC SEWER PIPE	APWA PLAN NO. 381,382
	8" DR - 17 HDPE SEWER PIPE	APWA PLAN NO. 381,382
	PRESSURE SEWER PIPE	APWA PLAN NO. 381,382
	PROPOSED FIRE HYDRANT ASSEMBLY	APWA PLAN NO. 511
	4' SEWER MANHOLE	APWA PLAN NO. 411,413
	5' SEWER MANHOLE	APWA PLAN NO. 411,413
	STORM DRAIN MANHOLE	APWA PLAN NO. 341
	CURB INLET BOX	APWA PLAN NO. 315
	3'x3' CATCH BASIN AND GRATE	PER DETAIL SHEET 5.00
	FLARED END SECTION	PER DETAIL SHEET 5.00
	PROPOSED PAVEMENT SECTION	PER IGES GEOTECH REPORT 11/09/12
	ADJOINING PROPERTY BOUNDARY	N/A
	WEBER/CACHE COUNTY LINE	N/A
	PROPOSED LOT LINE	N/A
	PROPOSED ROAD RIGHT OF WAY	N/A
	PROPOSED ROAD CENTERLINE	N/A
	PROPOSED GUARDRAIL	UDOT BA 4D1
	PROPOSED ROUNDED END SECTION	UDOT BA 4C1, BA 4C2 - TYPE II ANCHOR
	SURVEY MONUMENT MARKER	PER WEBER COUNTY SPECS. SEE SHEET 5.20
	EXISTING 6" WATER PIPE	N/A
	EXISTING 8" SS HDPE	N/A
	EXISTING 4" WATER PIPE	N/A
	EXISTING 8" SEWER MANHOLE	N/A

NOTE: LEGEND MAY CONTAIN SYMBOLS THAT ARE NOT USED IN PLAN SET.

EROSION CONTROL GENERAL NOTES:

THE CONTRACTOR TO USE BEST MANAGEMENT PRACTICES FOR PROVIDING EROSION CONTROL FOR CONSTRUCTION OF THIS PROJECT. ALL MATERIAL AND WORKMANSHIP SHALL CONFORM TO WEBER COUNTY ORDINANCES AND ALL WORK SHALL BE SUBJECT TO INSPECTION BY THE COUNTIES. ALSO, INSPECTORS WILL HAVE THE RIGHT TO CHANGE THE FACILITIES AS NEEDED.

CONTRACTOR SHALL KEEP THE SITE WATERED TO CONTROL DUST. CONTRACTOR TO LOCATE A NEARBY HYDRANT FOR USE AND TO INSTALL TEMPORARY METER. CONSTRUCTION WATER COST TO BE INCLUDED IN BID.

WHEN GRADING OPERATIONS ARE COMPLETED AND THE DISTURBED GROUND IS LEFT "OPEN" FOR 14 DAYS OR MORE, THE AREA SHALL BE FURROWED PARALLEL TO THE CONTOURS.

THE CONTRACTOR SHALL MODIFY EROSION CONTROL MEASURES TO ACCOMMODATE PROJECT PLANNING.

ALL ACCESS TO PROPERTY WILL BE FROM PUBLIC RIGHT-OF-WAYS.

THE CONTRACTOR IS REQUIRED BY STATE AND FEDERAL REGULATIONS TO PREPARE A STORM WATER POLLUTION PREVENTION PLAN AND FILE A "NOTICE OF INTENT" WITH THE UTAH DIVISION OF WATER QUALITY.

MAINTENANCE:

ALL BEST MANAGEMENT PRACTICES (BMP'S) SHOWN ON THIS PLAN MUST BE MAINTAINED AT ALL TIMES UNTIL VEGETATION IS RE-ESTABLISHED.

THE CONTRACTOR'S RESPONSIBILITY SHALL INCLUDE MAKING BI-WEEKLY CHECKS ON ALL EROSION CONTROL MEASURES TO DETERMINE IF REPAIR OR SEDIMENT REMOVAL IS NECESSARY. CHECKS SHALL BE DOCUMENTED AND COPIES OF THE INSPECTIONS KEPT ON SITE.

SEDIMENT DEPOSITS SHOULD BE REMOVED AFTER EACH RAINFALL. THEY MUST BE REMOVED WHEN THE LEVEL OF DEPOSITION REACHES APPROXIMATELY ONE-HALF THE HEIGHT OF BARRIER.

SEDIMENT TRACKED ONTO PAVED ROADS MUST BE CLEANED UP AS SOON AS PRACTICAL, BUT IN NO CASE LATER THAN THE END OF THE NORMAL WORK DAY. THE CLEAN UP WILL INCLUDE SWEEPING OF THE TRACKED MATERIAL, PICKING IT UP, AND DEPOSITING IT TO A CONTAINED AREA.

EXPOSED SLOPES:

ANY EXPOSED SLOPE THAT WILL REMAIN UNTOUCHED FOR LONGER THAN 14 DAYS MUST BE STABILIZED BY ONE OR MORE OF THE FOLLOWING METHODS:

- A) SPRAYING DISTURBED AREAS WITH A TACKIFIER VIA HYDROSEED
- B) TRACKING STRAW PERPENDICULAR TO SLOPES
- C) INSTALLING A LIGHT-WEIGHT, TEMPORARY EROSION CONTROL BLANKET

SCOPE OF WORK:

PROVIDE, INSTALL AND/OR CONSTRUCT THE FOLLOWING PER THE SPECIFICATIONS GIVEN OR REFERENCED, THE DETAILS NOTED, AND/OR AS SHOWN ON THE CONSTRUCTION DRAWINGS:

- HATCHING INDICATES AREAS TO RECEIVE 4" TOPSOIL AND TO BE SEED FOR NATURAL VEGETATION*. AREAS RECEIVING SEEDING FOR NATURAL VEGETATION MUST BE COVERED WITH AN EROSION CONTROL BLANKET AFTER THE FINAL GRADING AND SEEDING ARE FINISHED. INSTALL NORTH AMERICAN GREEN SC-150 BLANKET OR APPROVED EQUAL FOLLOW MANUFACTURER'S SPECIFICATIONS. INSTALL NORTH AMERICAN GREER P300 EROSION CONTROL BLANKET ON ALL SLOPES GREATER THAN 1.5:1.
- INSTALL 15' X 50' VEHICLE WASH DOWN AREA WITH 1"-2.5" COARSE AGGREGATE PLACED A MINIMUM 8" THICK. SUPPLY WATER FOR VEHICLE WASH DOWN.
- STABILIZED CONSTRUCTION ENTRANCE FOR SITE INGRESS/EGRESS. IF ALTERNATE ACCESS POINTS ARE APPROVED BY OWNER, ADDITIONAL STABILIZED CONSTRUCTION ENTRANCES WILL BE REQUIRED.
- INSTALL INLET PROTECTION IN FORM OF CONCRETE BLOCKS / FILTER CLOTH / GRAVEL OR SILT SACK AT EXISTING AND PROPOSED CATCH BASINS AS SHOWN ON PLAN.
- INSTALL SILT FENCE ALONG DOWN GRADIENT LIMITS OF DISTURBANCE AS SHOWN ON PLAN.
- INSTALL ORANGE SAFETY FENCING AROUND OUTER LIMITS OF PROJECT PRIOR TO GRADING.

KEYNOTE CALLOUTS

- 1 2" WATER SERVICE LATERAL PER APWA STANDARD DRAWING 541 AND SPECIFICATIONS (TYP.)
- 2 8" 22.5' DI BEND PER APWA PLAN NO. 561,562
- 3 8" FLANGED DI TEE PER APWA PLAN NO. 561,562
- 4 STUB & CAP PER APWA PLAN NO. 561,562
- 5 NOT USED
- 6 8" MxFL GATE VALVE PER APWA PLAN NO. 561,562
- 7 SEE GRINDER PUMP DETAILS ON SHEET 5.10
- 8 (1)3" IPS DR-17 HDPE PIPE APWA PLAN NO. 381,382
- 9 6" SEWER SERVICE LATERAL PER DETAIL B/5.10 (TYP.)
- 10 FLARED END SECTION PER DETAIL ON SHEET 5.00
- 11 RIP-RAP PAD D50=6", 1.5' THICK, 7.5' WIDE, 20' LONG
- 12 6' X 1' DRAINAGE CHANNEL WITH REVEGETATION MAT
- 13 CONNECT TO EXISTING WATER STUB WITH HDPE ELECTRO FUSION COUPLING
- 14 STUB 8" WATERLINE FOR FUTURE CONNECTION
- 15 REMOVE HATCHED SECTION OF EXISTING GUARDRAIL
- 16 ROUNDED END SECTION PER UDOT BA 4C1 & BA 4C2
- 17 STOP SIGN "R1-1" PER MUTCD
- 18 INSTALL RD NAME SIGN PER MUTCD
- 19 12" STOP BAR PER MUTCD
- 20 8" 11.25 DI BEND PER APWA PLAN NO. 561,562
- 21 AIR RELEASE ASSEMBLY PER APWA DRAWING 575 AND SPECIFICATIONS
- 22 INSTALL 15 MPH SPEED LIMIT SIGN "R2-1" PER MUTCD
- 23 8" 22.5' DI BEND PER APWA PLAN NO. 561,562
- 24 STUB 8" SDR-35 PVC SEWER LINE FOR FUTURE CONNECTION
- 25 INSTALL "NO PARKING" SIGN PER MUTCD
- 26 GUARDRAIL PER UDOT BA 4D1
- 27 (1)2" IPS DR-17 HDPE PIPE APWA PLAN NO. 381,382

- * SEED MIXTURE FOR REVEGITATION
 - a. MEADOW BROME (RIGOR) 14lb/ac
 - b. ORCHARD GRASS 10lb/ac
 - c. ALFALFA (ADAK) 4lb/ac

NO.	BY	DATE	REVISIONS
1	RMC	6/17/2014	ADD COLUMN 1
2	RMC	6/17/2014	WEBER COUNTY REVIEW REVISIONS FOR L. GESSA.
3	RMC	6/27/2014	

NO. 1011010101

SUMMIT EDEN PHASE 1A
GENERAL NOTES, LEGEND, AND KEYNOTES

PREPARED FOR: SUMMIT MOUNTAIN HOLDING GROUP, LLC
DATE SUBMITTED: 01/07/2014

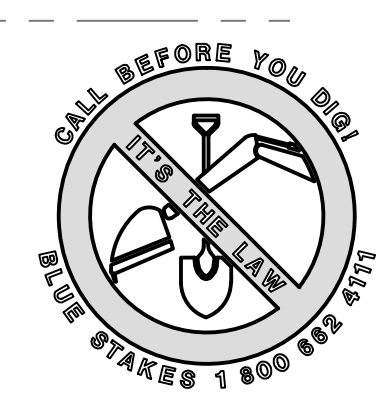
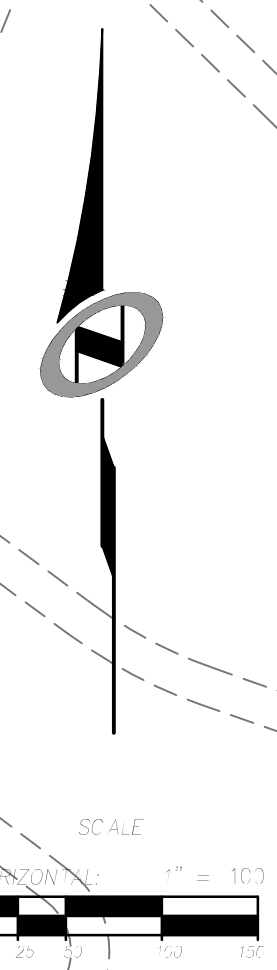
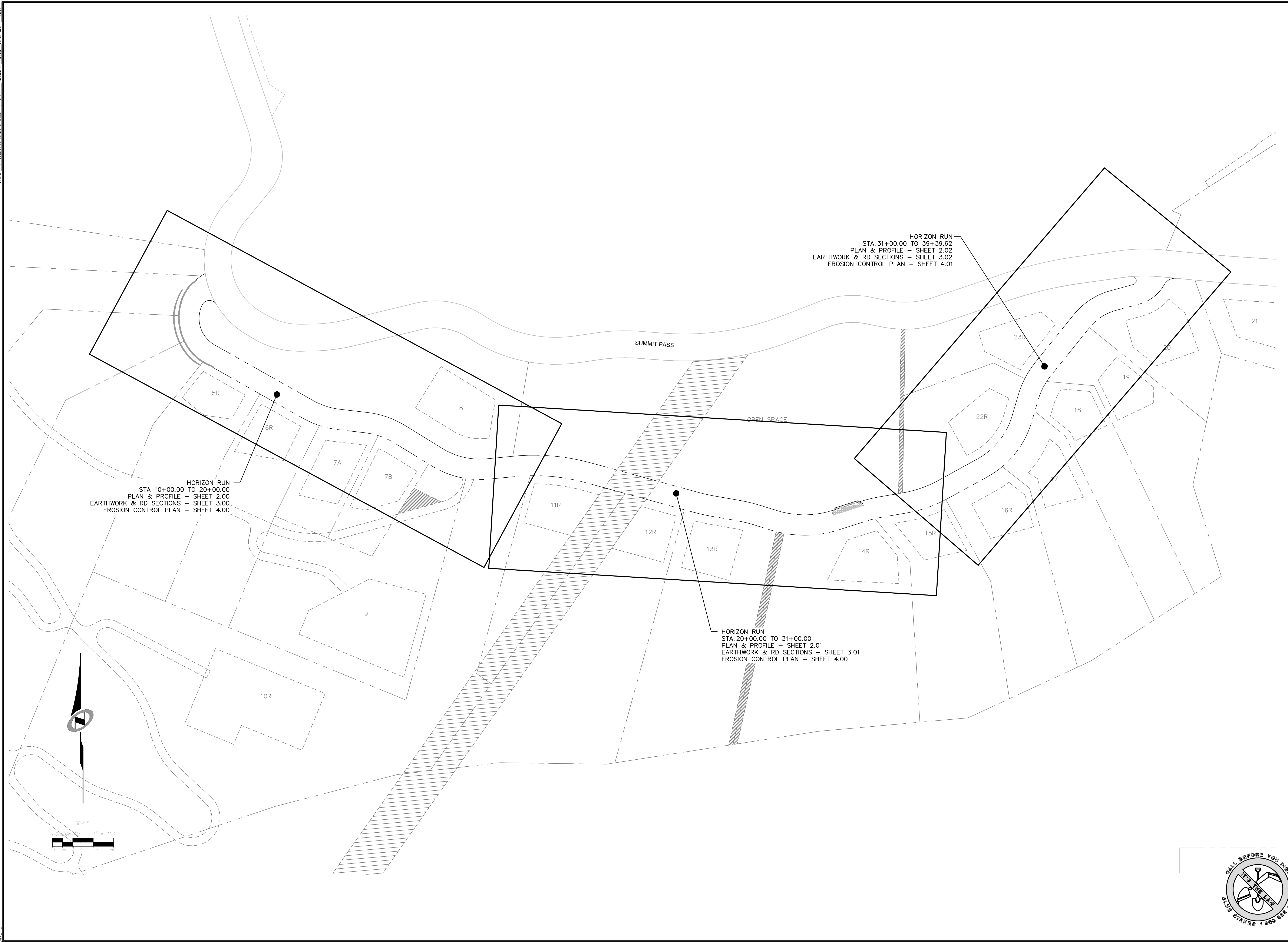
NV5
BEYOND ENGINEERING
5217 SOUTH STATE STREET, SUITE 200
MURRAY, UT 84147
WWW.NV5.COM

REGISTERED PROFESSIONAL ENGINEER
No. 7899506
RYAN W. CATHEY
STATE OF UTAH

SHEET NUMBER
1.01
SCALE
VERTICAL: 1" = N/A
HORIZONTAL: 1" = N/A
JOB NUMBER
SLB079306



DATE: 5/20/14 TIME: 2:26:21 PM DRAWING NAME: P102KALDWG
 SERVER: NONE PAGE SETUP: P102KAL LAYOUT: P102KAL
 PATH: N:\SLB0793\CAD\PHASE 1\VP\PT-A_02.DWG DESIGNED: ### PROJ. MGR: ###



NO.	BY	DATE	REVISIONS
1	RMC	8/27/2013	ADDENDUM 1
2	RMC	5/27/2014	WEBB COUNTY REVIEW REVISIONS
3	RMC	5/27/2014	FOR U. DESIGN

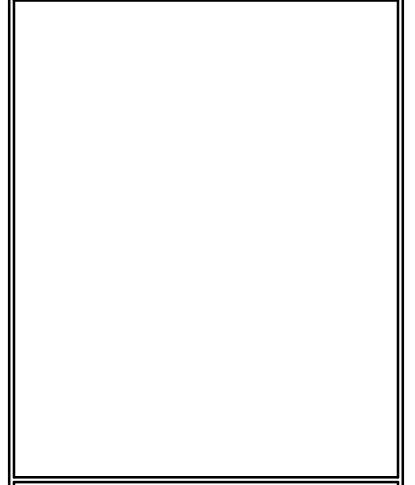
The engineer preparing these plans will not be responsible for, or liable for, unauthorized changes to or uses of these plans. Any such changes or uses must be approved by the preparer of these plans.

CAUTION

SUMMIT EDEN PHASE 1A
SHEET KEYMAP

PREPARED FOR: SUMMIT MOUNTAIN HOLDING GROUP, LLC DATE SUBMITTED: 01/07/2014

NV5
 BEYOND ENGINEERING
 6217 SOUTH STATE STREET, SUITE 200
 MURRAY, UT 84107
 801.743.0300 TEL. 801.743.0300 FAX
 WWW.NV5.COM



SHEET NUMBER
1.02

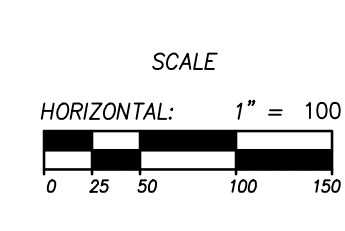
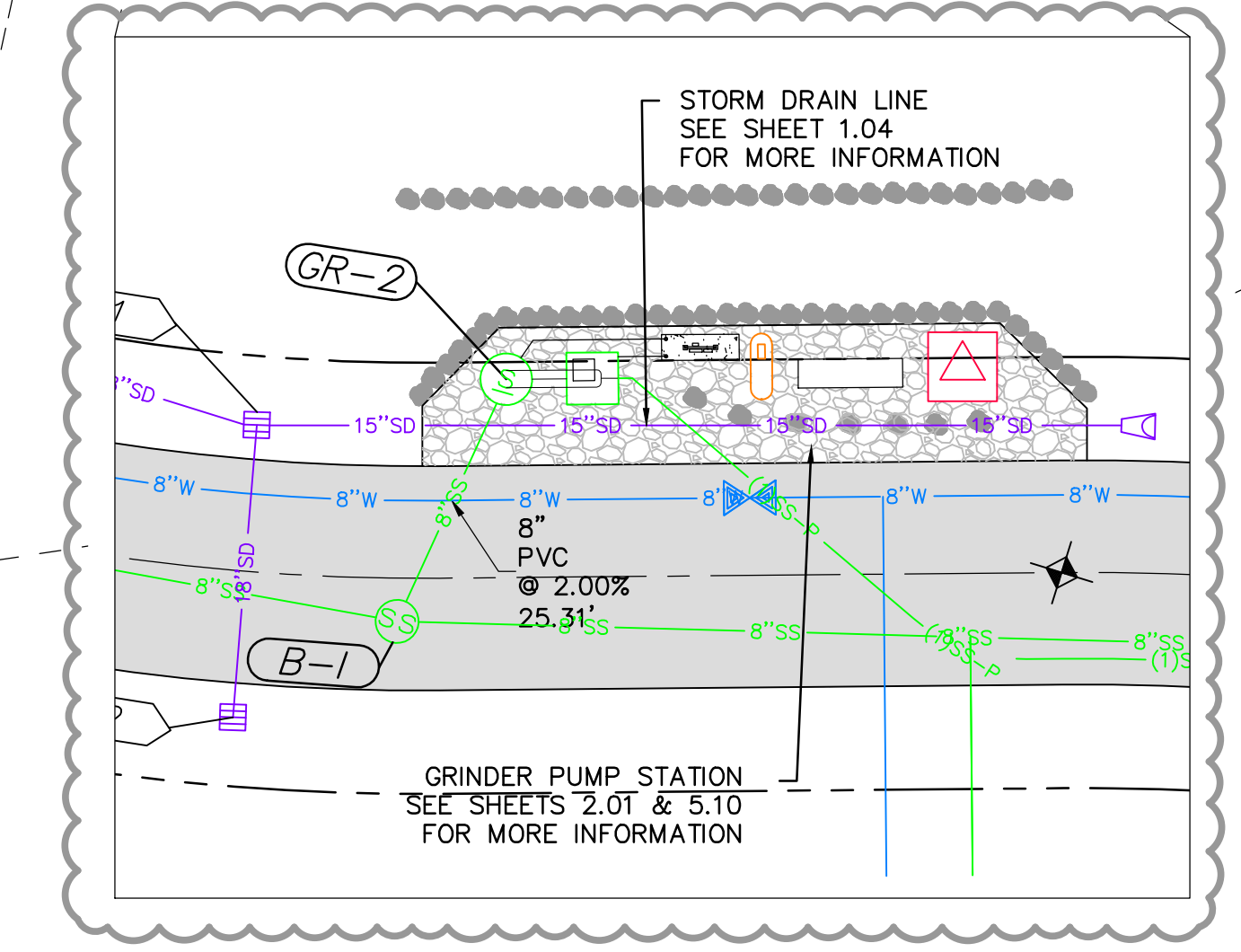
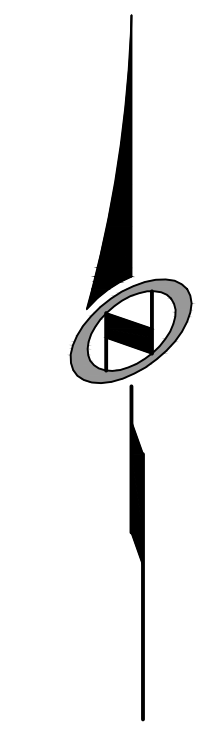
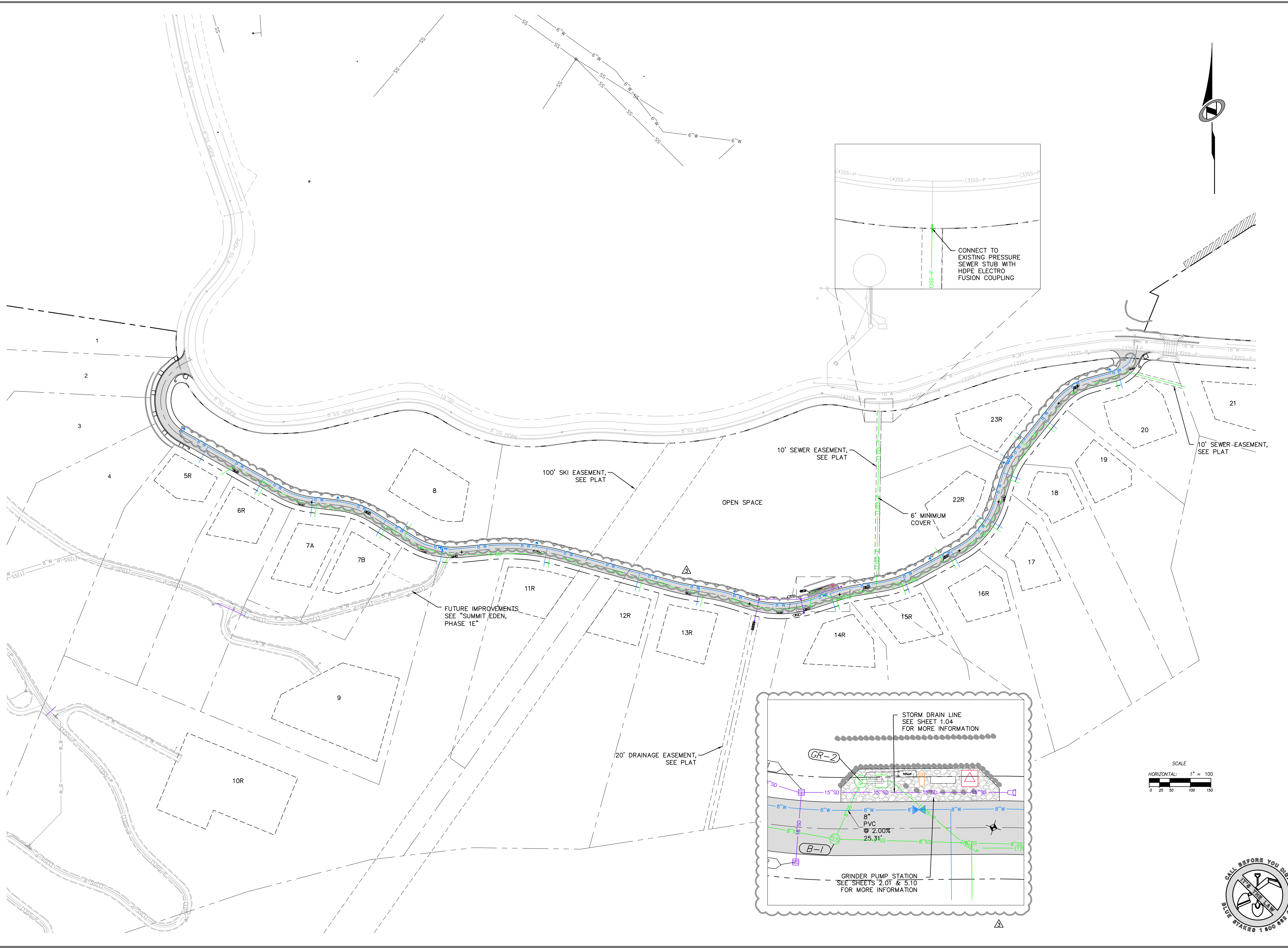
SCALE
 VERTICAL: 1" = 100'
 HORIZONTAL: 1" = NA

JOB NUMBER
SLB079306

BOWDEN
 XREFS:

DATE: 5/20/14 TIME: 2:26:54 PM DRAWING NAME: P10301.DWG
 SERVER: NONE PAGE SETUP: P10301-24-38 LAYOUT: P10301
 PATH: N:\SLB0793\CAD\PHASE 1\VIEW\PI-1.dwg DESIGNED: HHH PROJ. MGR: HHH

BOWDEN
 XREES:



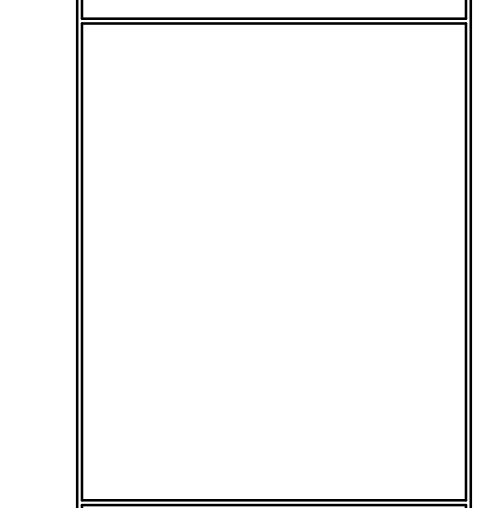
NO.	BY	DATE	REVISIONS
1	RMC	8/27/03	ADD/OM 1
2	RMC	7/27/04	WEBER COUNTY REVIEW REVISIONS
3	RMC	5/27/04	FOR U. DESIGN

SUMMIT EDEN PHASE 1A
OVERALL UTILITY PLAN

PREPARED FOR: SUMMIT MOUNTAIN HOLDING GROUP, LLC

DATE SUBMITTED: 01/07/2014

NV5
 BEYOND ENGINEERING
 6217 SOUTH STATE STREET, SUITE 200
 MURRAY, UT 84107
 801.743.0300 TEL. 801.743.0300 FAX
 WWW.NV5.COM



SHEET NUMBER
1.03

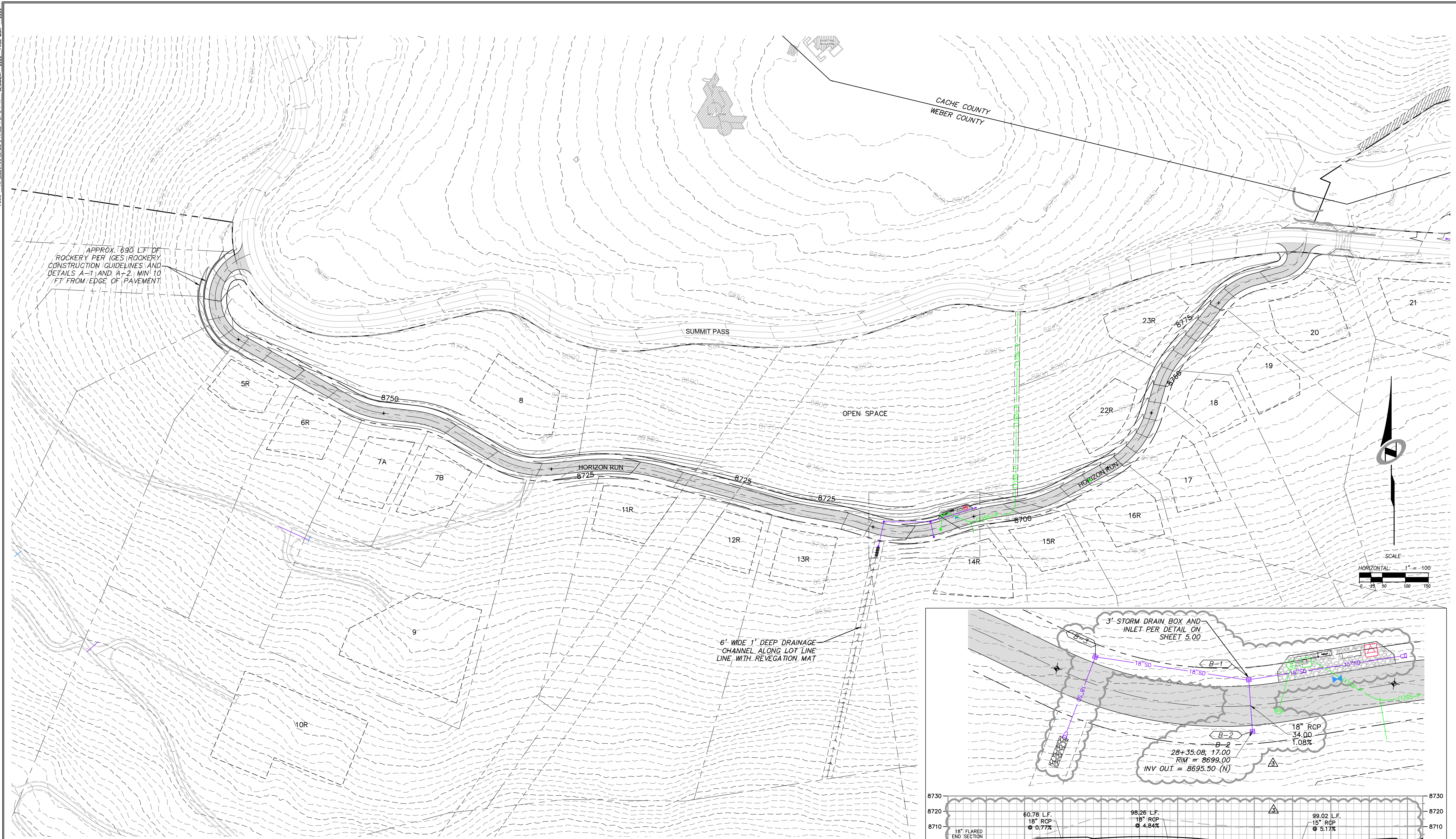
SCALE
 VERTICAL: 1" = 10'
 HORIZONTAL: 1" = 100'

JOB NUMBER
SLB079306

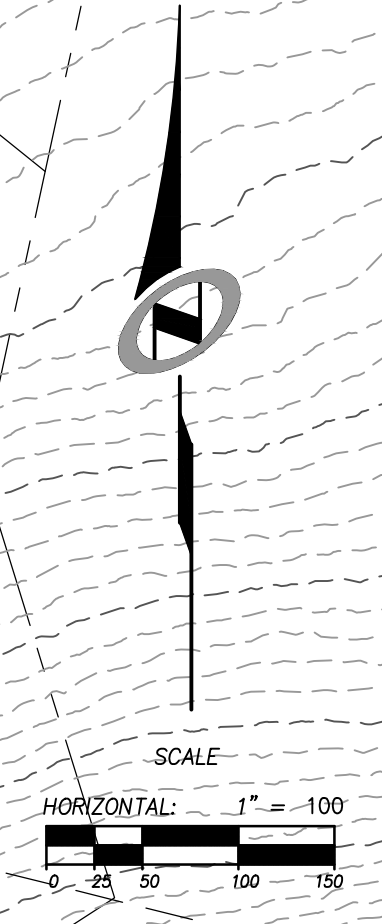
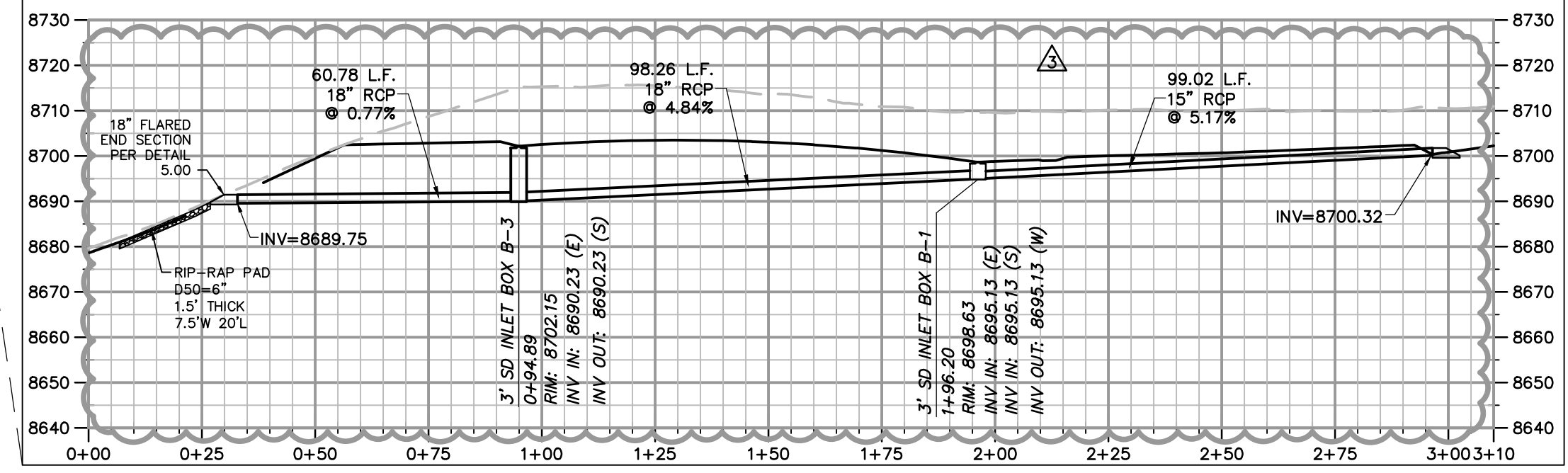
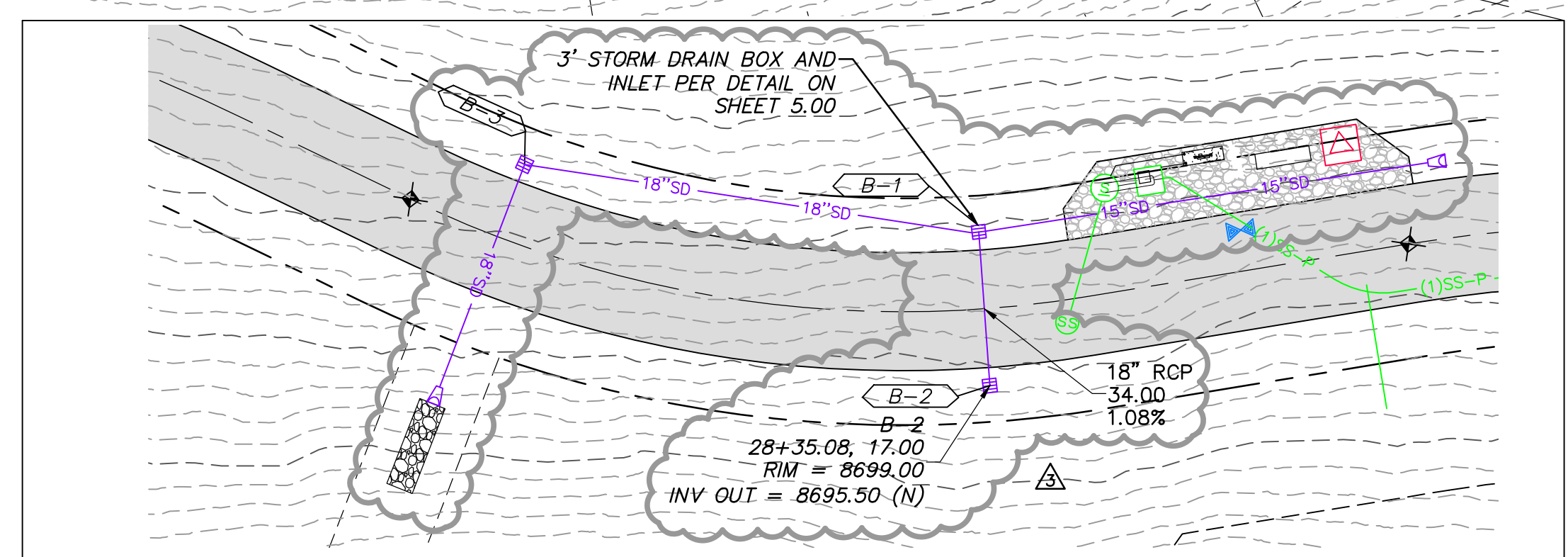
CAUTION
 The engineer preparing these plans will not be responsible for, or liable for, unauthorized changes to or uses of these plans. Any such changes or uses must be approved by the preparer of these plans.

DATE: 5/20/14 TIME: 2:28:25 PM DRAWING NAME: P1040R.DWG
 SERVER: NONE PAGE SETUP: P1040R-24x36 LAYOUT: P1040R
 PATH: N:\BLB07930\CAD\PHASE 1\VP\P1-A_03.DWG PROJ. WDR: ###

BOWDEN
 XREFS:



6' WIDE 1' DEEP DRAINAGE CHANNEL ALONG LOT LINE WITH REVEGETATION MAT

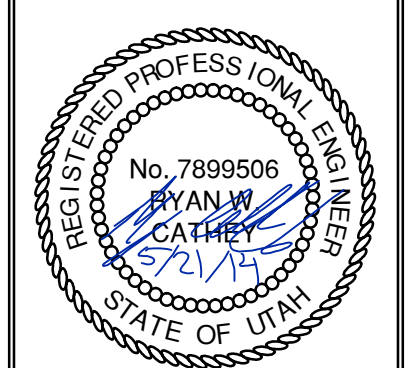


NO.	BY	DATE	REVISIONS
1	RMC	8/27/2013	ADD/NOV 1
2	RMC	8/27/2014	WEBER COUNTY REVIEW REVISIONS
3	RMC	5/27/2014	FOR L. ESDM

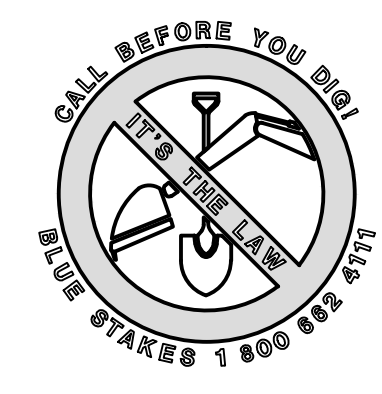
CAUTION
 The engineer preparing these plans will not be responsible for, or liable for, unauthorized changes to or uses of these plans, and must be approved by the preparer of these plans.

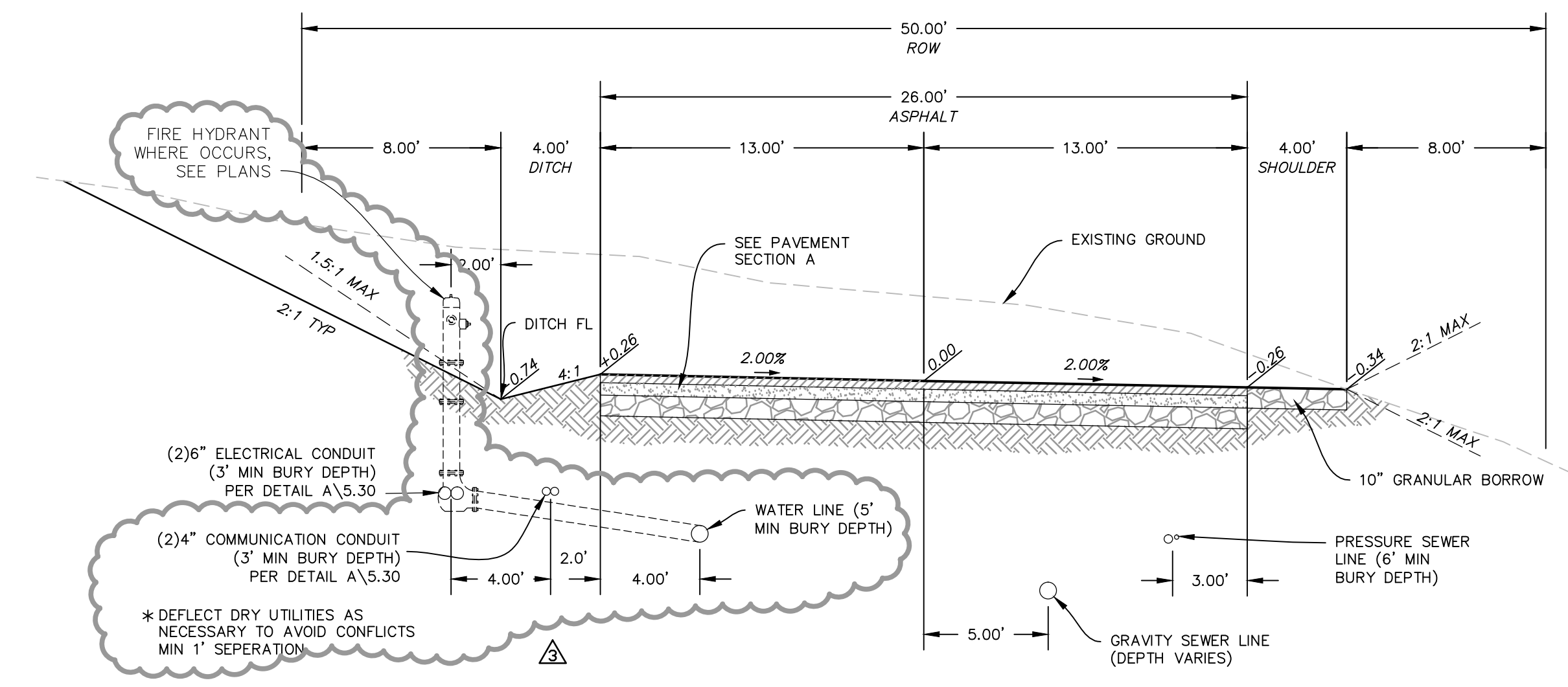
SUMMIT EDEN PHASE 1A
HORIZON RUN
OVERALL GRADING AND DRAINAGE PLAN
 PREPARED FOR: SUMMIT MOUNTAIN HOLDING GROUP, LLC
 DATE SUBMITTED: 01/07/2014

NV5
 BEYOND ENGINEERING
 6217 SOUTH STATE STREET, SUITE 200
 MURRAY, UT 84147
 WWW.NV5.COM

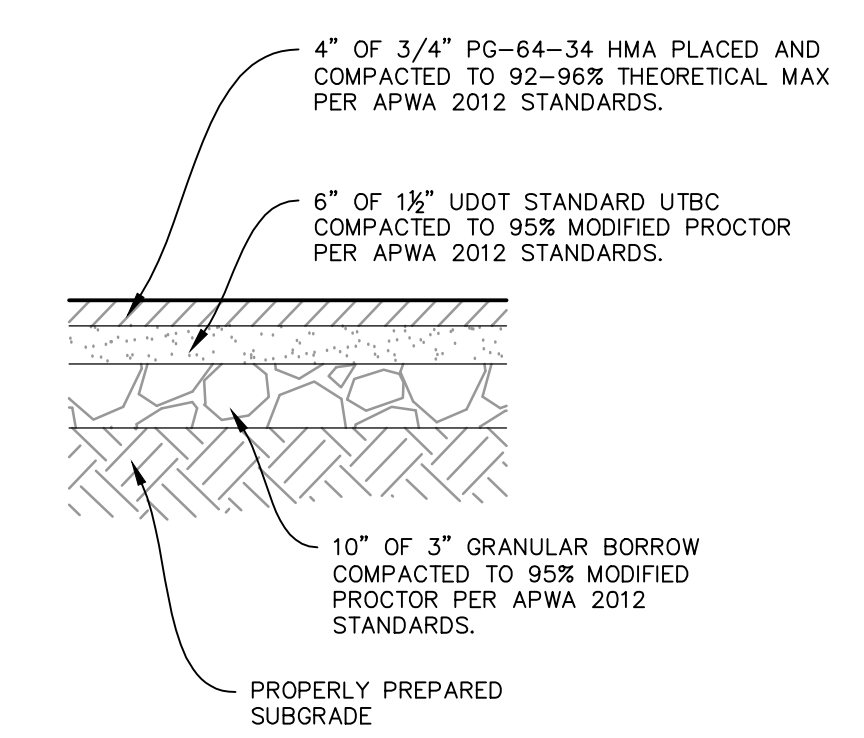


SHEET NUMBER
1.04
 SCALE
 VERTICAL: 1" = 8'
 HORIZONTAL: 1" = 100'
 JOB NUMBER
SLB079306

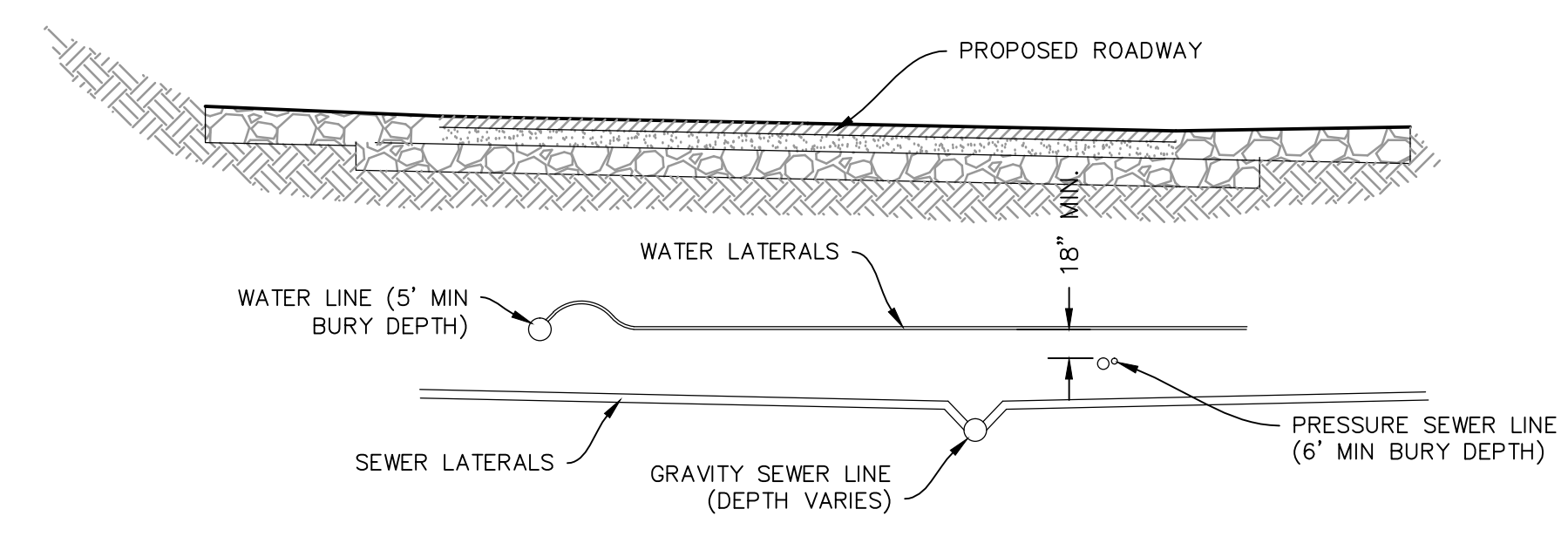




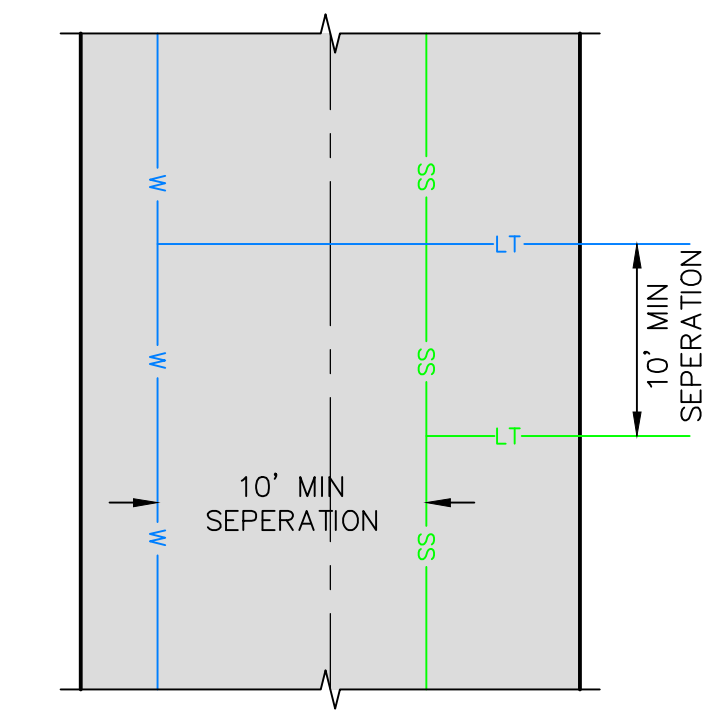
TYPICAL ROADWAY SECTION A-A
 (50' RIGHT OF WAY SECTION)
 STA: 10+00.00 TO 18+14.86



PAVEMENT SECTION A



SECTION
WATER AND SEWER SEPARATION DETAIL



PLAN

NO.	BY	DATE	REVISIONS
1	RHC	8/27/2013	ADD ROW 1
2	RHC	07/27/2014	PERE COUNTY REVIEW REVISIONS
3	RHC	5/27/2014	FOR L. ESDS

The engineer preparing these plans will not be responsible for, or liable for, unauthorized changes to or uses of these plans. Any such changes or uses must be approved by the preparer of these plans.

SUMMIT EDEN PHASE 1A

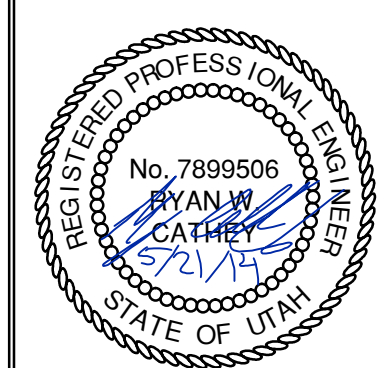
ROADWAY TYPICAL SECTIONS

DATE SUBMITTED: 01/07/2014

PREPARED FOR: SUMMIT MOUNTAIN HOLDING GROUP, LLC



5217 SOUTH STATE STREET, SUITE 200
 801743.0000 TEL 801743.0000 FAX
 MURRAY, UT 84107
 WWW.NIV5.COM



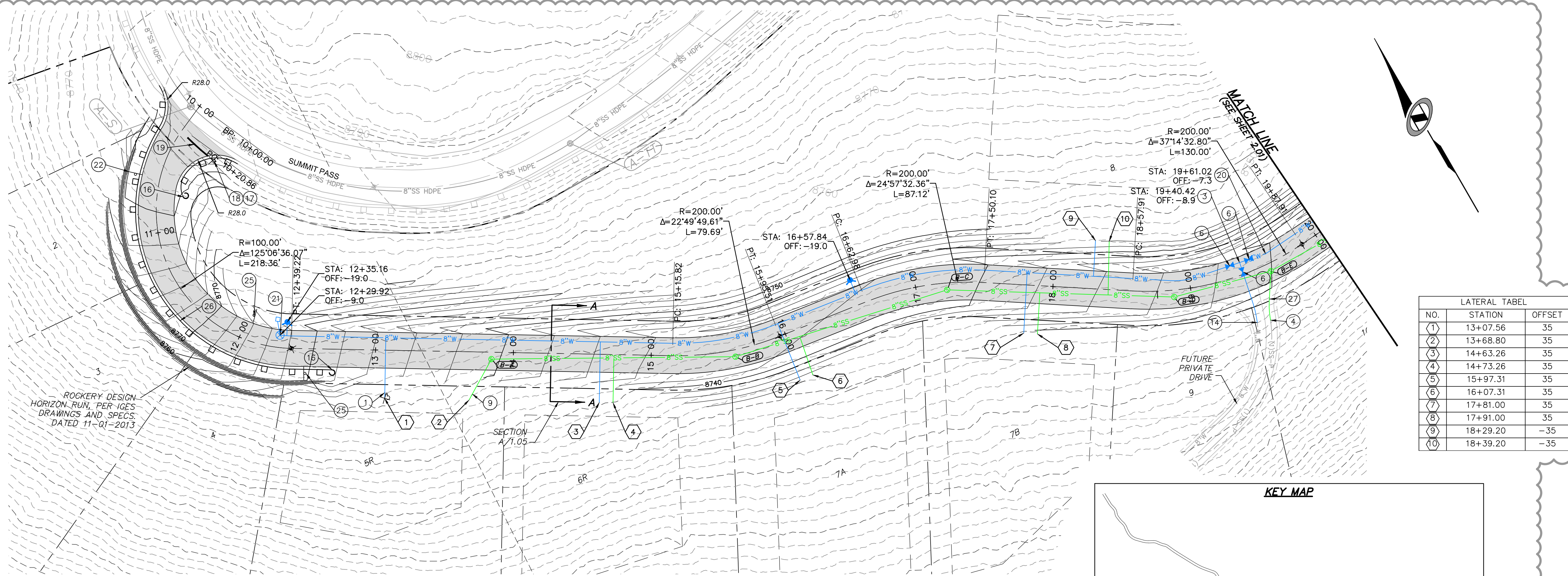
SHEET NUMBER
1.05

SCALE
 VERTICAL: 1" = N/A
 HORIZONTAL: 1" = N/A

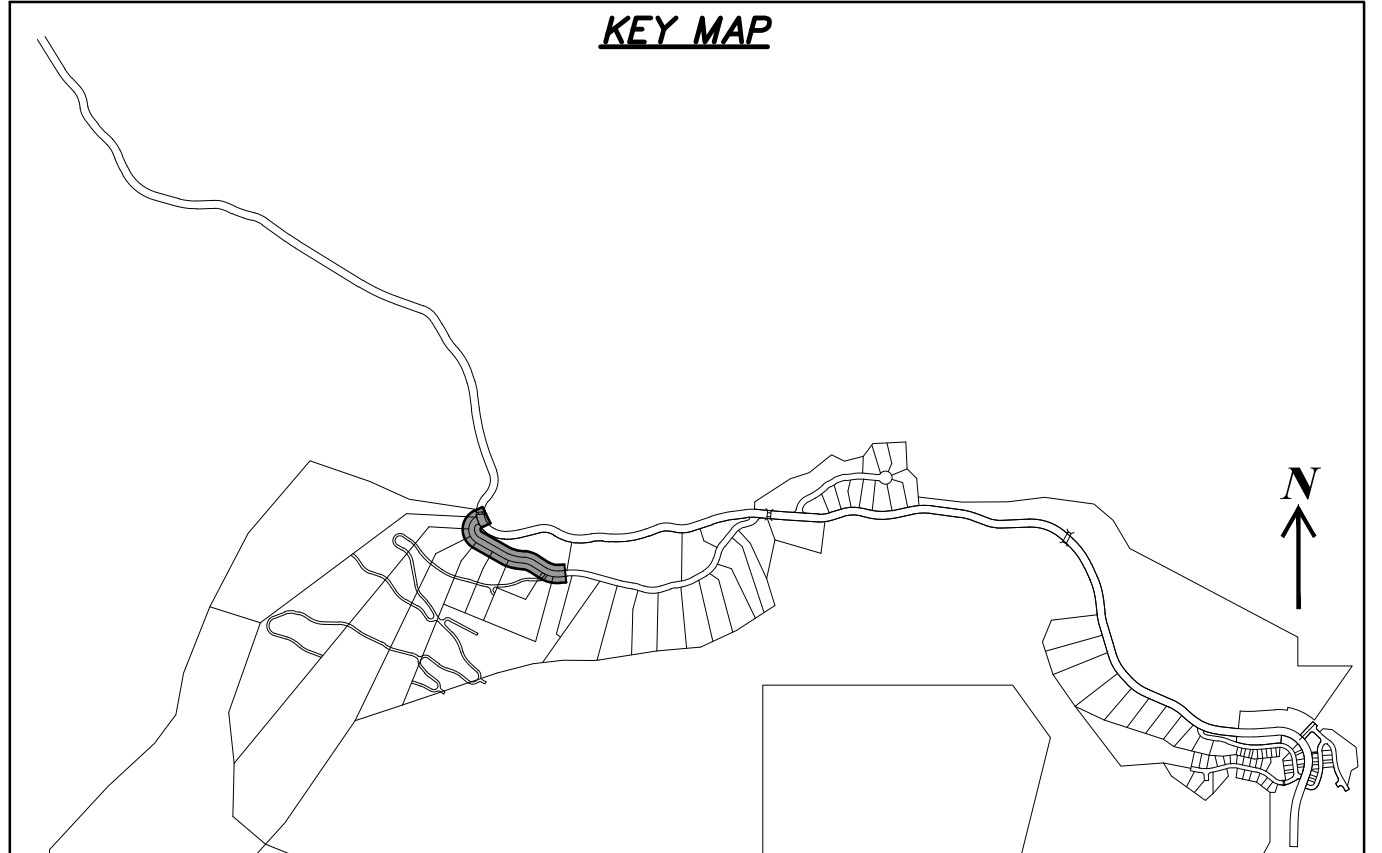
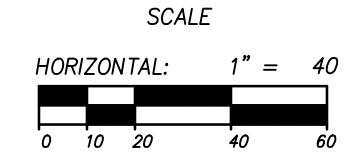
JOB NUMBER
SLB079306



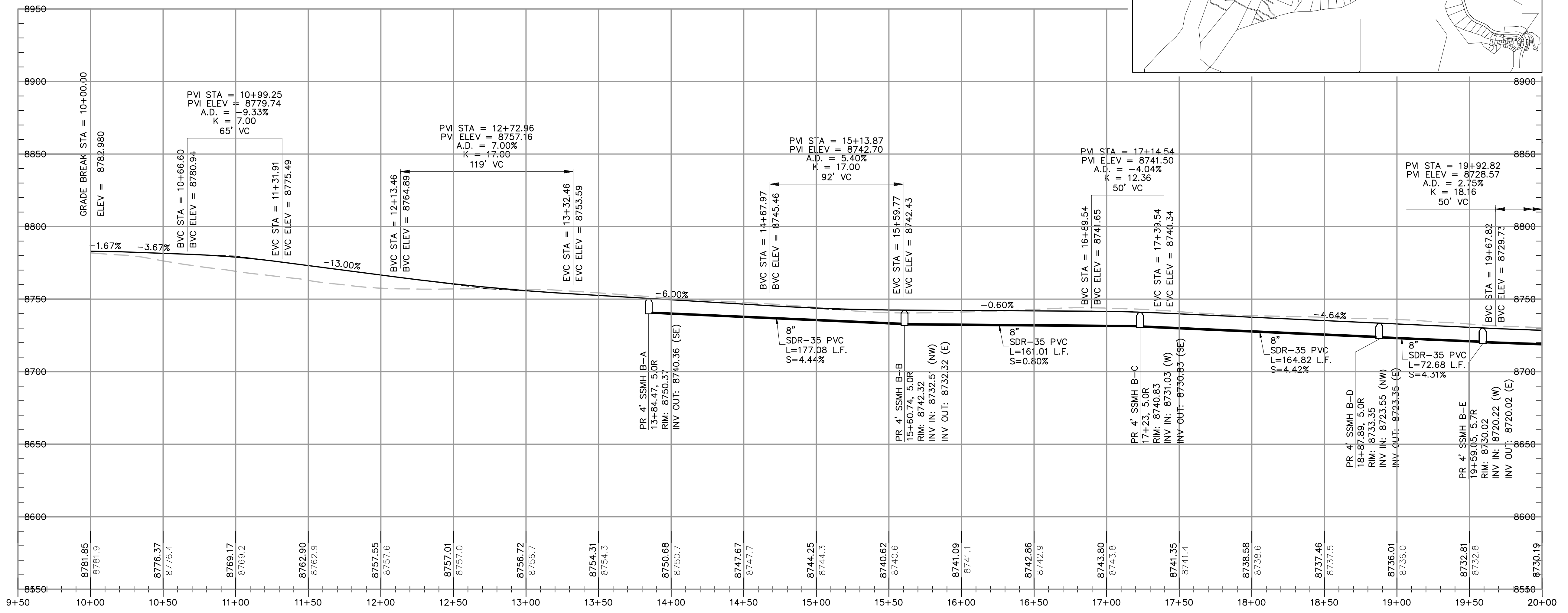
DATE: 5/20/14 TIME: 2:29:48 PM DRAWING NAME: P2000P.DWG
 SERVER: NONE PAGE SETUP: P2000-24x36 LAYOUT: P2000P
 PATH: H:\B07930\CAD\PHASE 1\WP\1-A_02.DWG TB PROJ MOR: RE



HORIZON RUN
 STA: 10+00.00 TO 20+00.00



LATERAL LABEL		
NO.	STATION	OFFSET
1	13+07.56	35
2	13+68.80	35
3	14+63.26	35
4	14+73.26	35
5	15+97.31	35
6	16+07.31	35
7	17+81.00	35
8	17+91.00	35
9	18+29.20	-35
10	18+39.20	-35

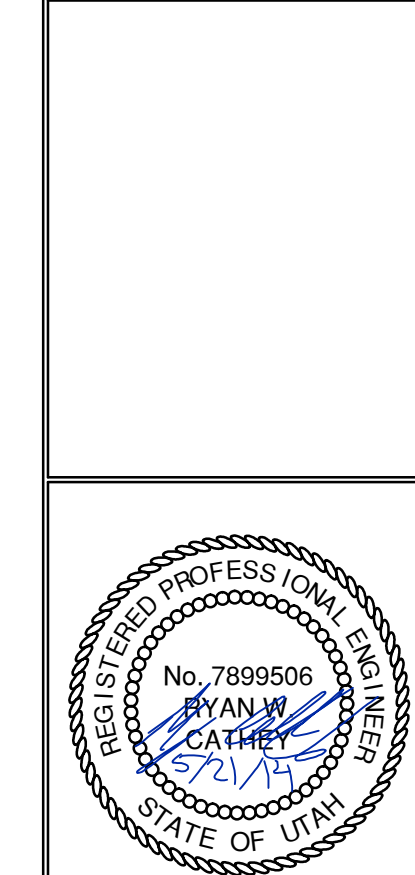


NO.	BY	DATE	REVISIONS
1	PMC	8/7/2013	ADD ROW 1
2	PMC	7/27/2014	REBE COUNTY REVIEW REVISIONS
3	PMC	5/27/2014	FOR L. ESDEN

SUMMIT EDEN PHASE 1A
PLAN AND PROFILE
HORIZON RUN

PREPARED FOR: SUMMIT MOUNTAIN HOLDING GROUP, LLC DATE SUBMITTED: 01/07/2014

NV5
 BEYOND ENGINEERING
 6217 SOUTH STATE STREET, SUITE 200
 MURRAY, UT 84107
 WWW.NV5.COM

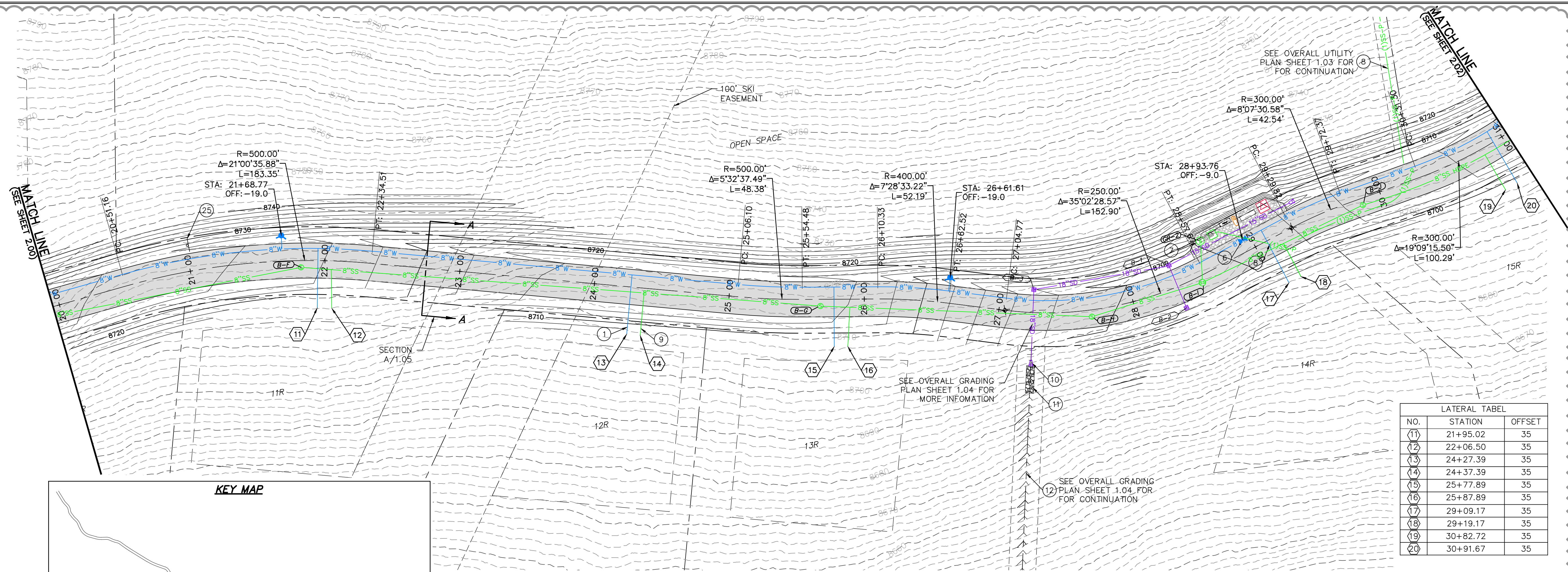


SHEET NUMBER
2.00

SCALE
 VERTICAL: 1" = 40'
 HORIZONTAL: 1" = 40'

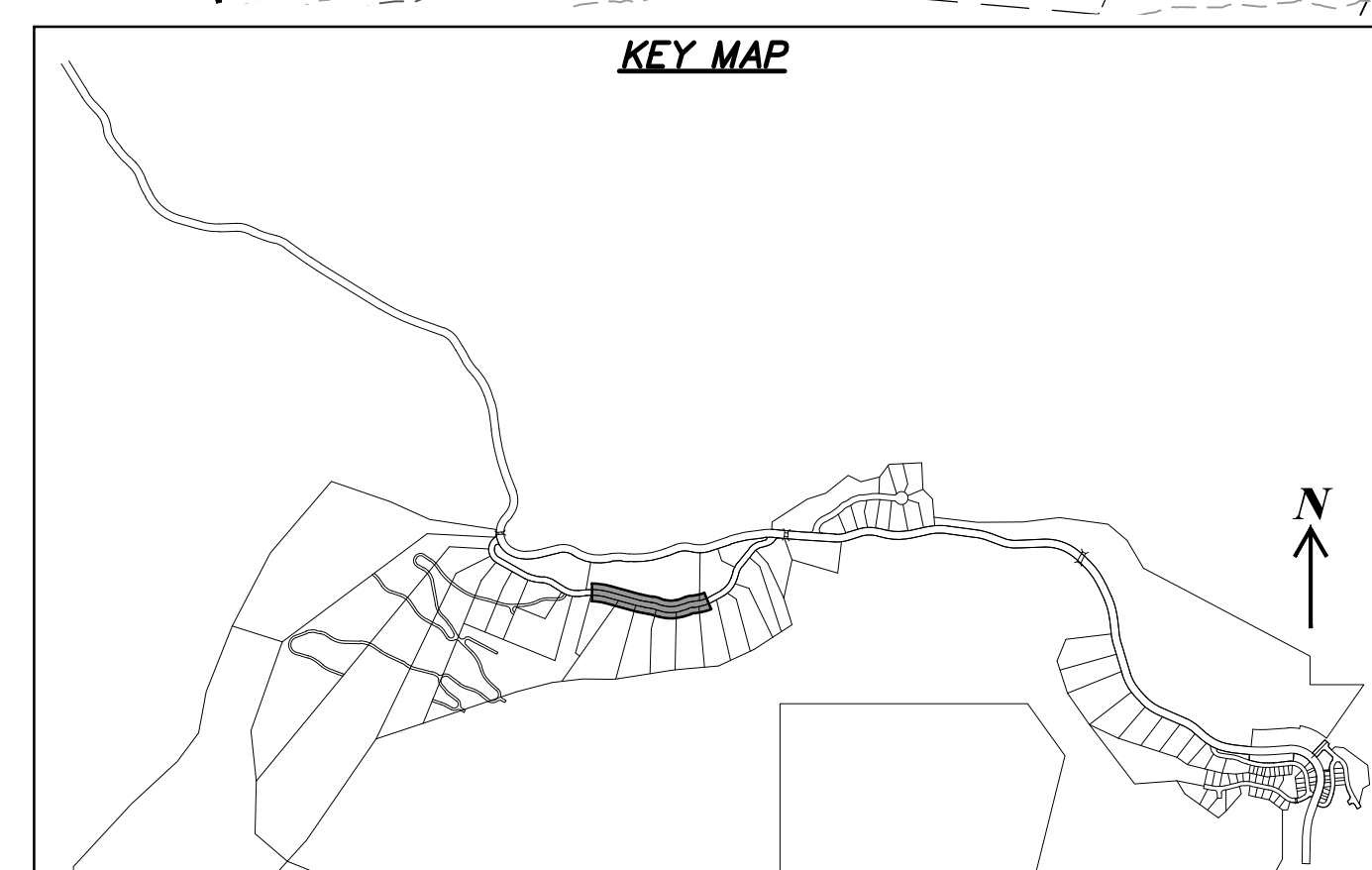
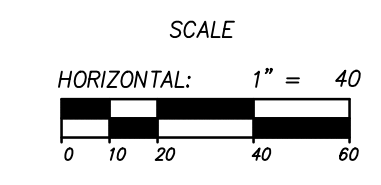
JOB NUMBER
SLB079306

CAUTION
 The engineer preparing these plans will not be responsible for, or liable for, unauthorized changes to or uses of these plans, and must be approved by the preparer of these plans.

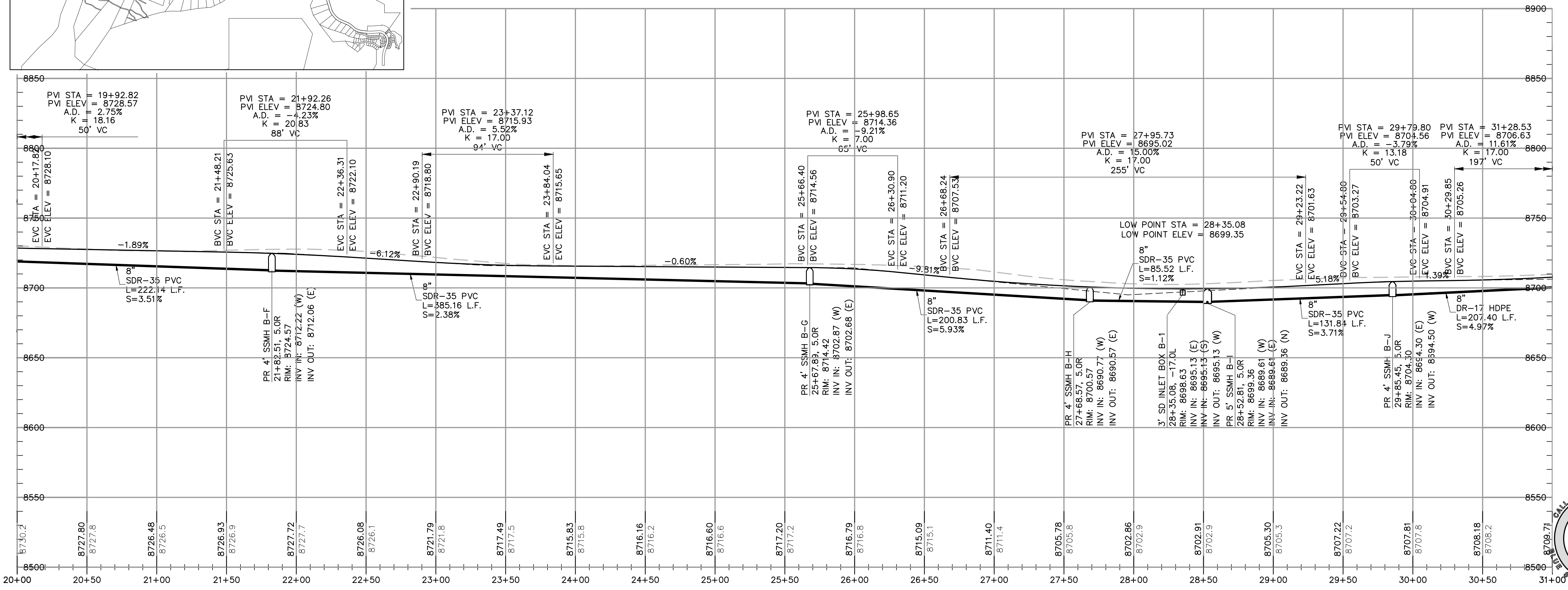


LATERAL TABLE

NO.	STATION	OFFSET
11	21+95.02	35
12	22+06.50	35
13	24+27.39	35
14	24+37.39	35
15	25+77.89	35
16	25+87.89	35
17	29+09.17	35
18	29+19.17	35
19	30+82.72	35
20	30+91.67	35



HORIZON RUN
 STA: 20+00.00 TO 31+00.00



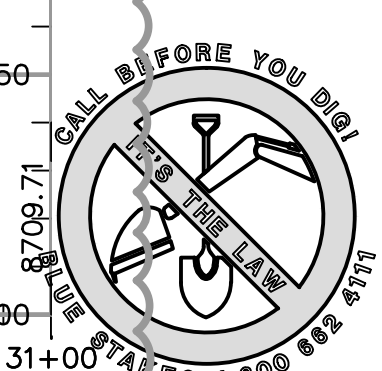
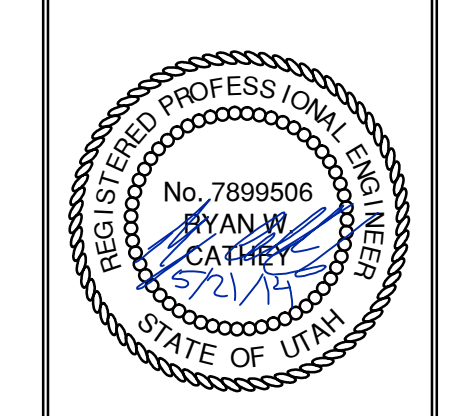
REVISIONS

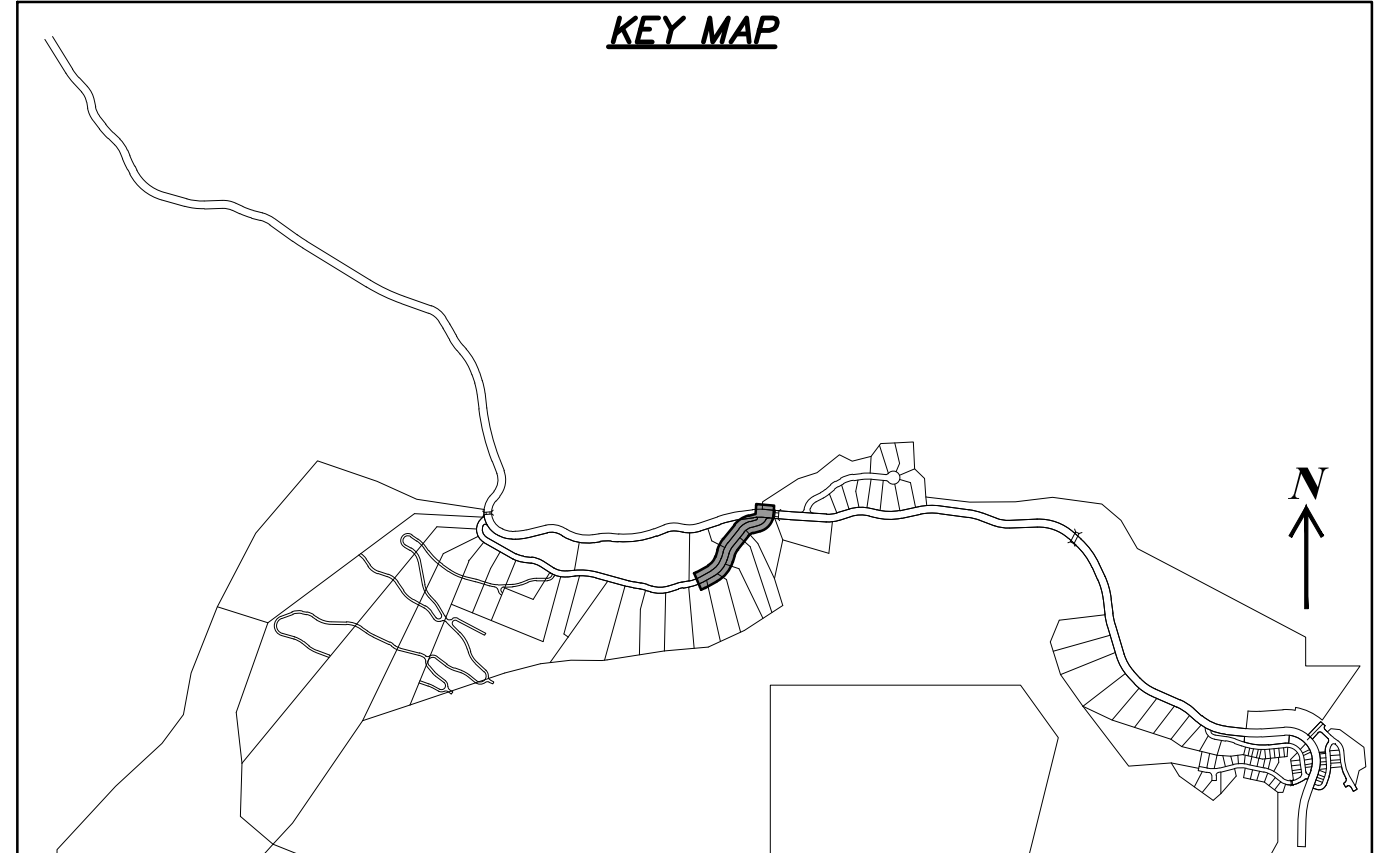
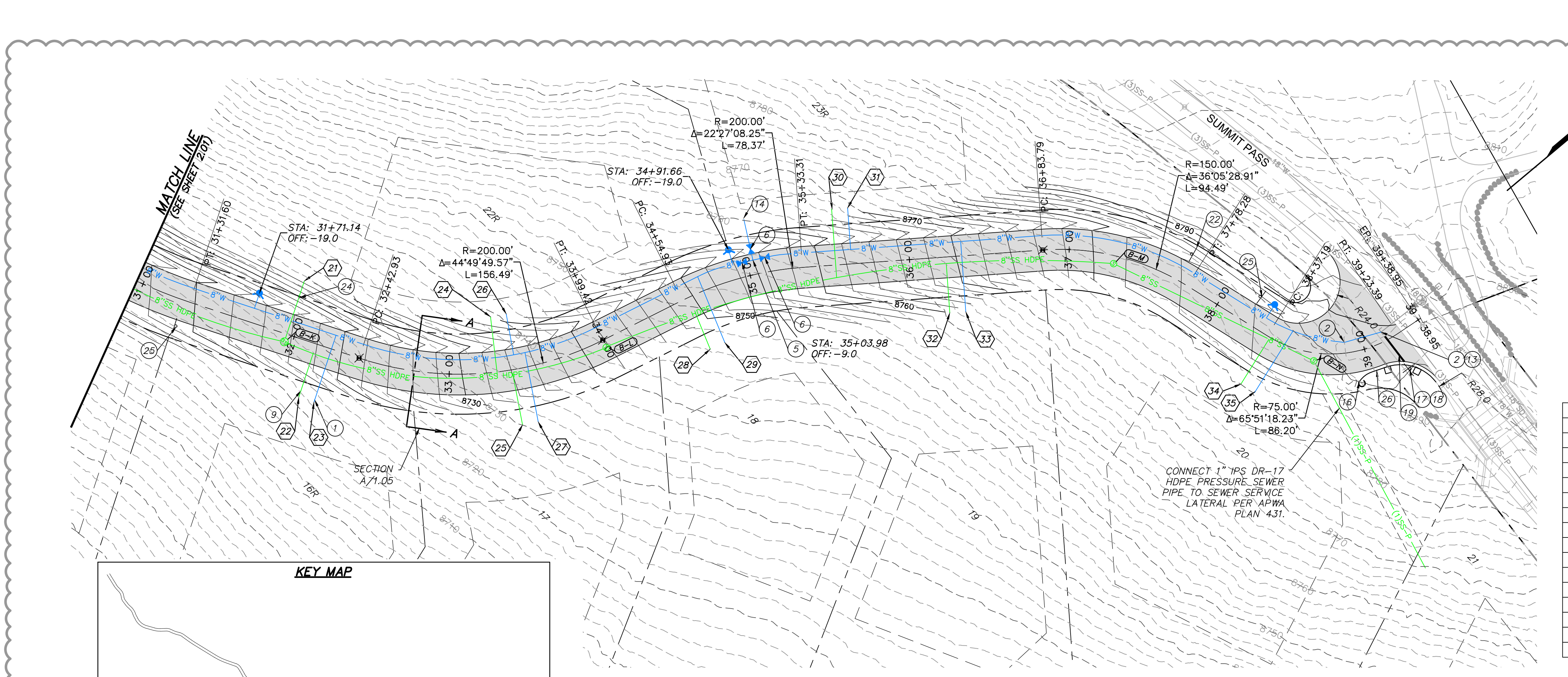
NO.	BY	DATE	REVISIONS
1	RMC	8/27/2013	ADD ROW 1
2	RMC	7/27/2014	WEBB COUNTY REVIEW REVISIONS
3	RMC	5/27/2014	FOR L. ESDR

CAUTION
 The engineer preparing these plans will not be responsible for, or liable for, unauthorized changes to or uses of these plans, and must be approved by the preparer of these plans.

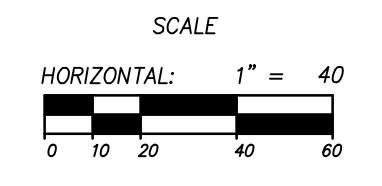
SUMMIT EDEN PHASE 1A
PLAN AND PROFILE
HORIZON RUN

NV5
 BEYOND ENGINEERING
 627 SOUTH STATE STREET, SUITE 200
 MURRAY, UT 84177
 WWW.NV5.COM

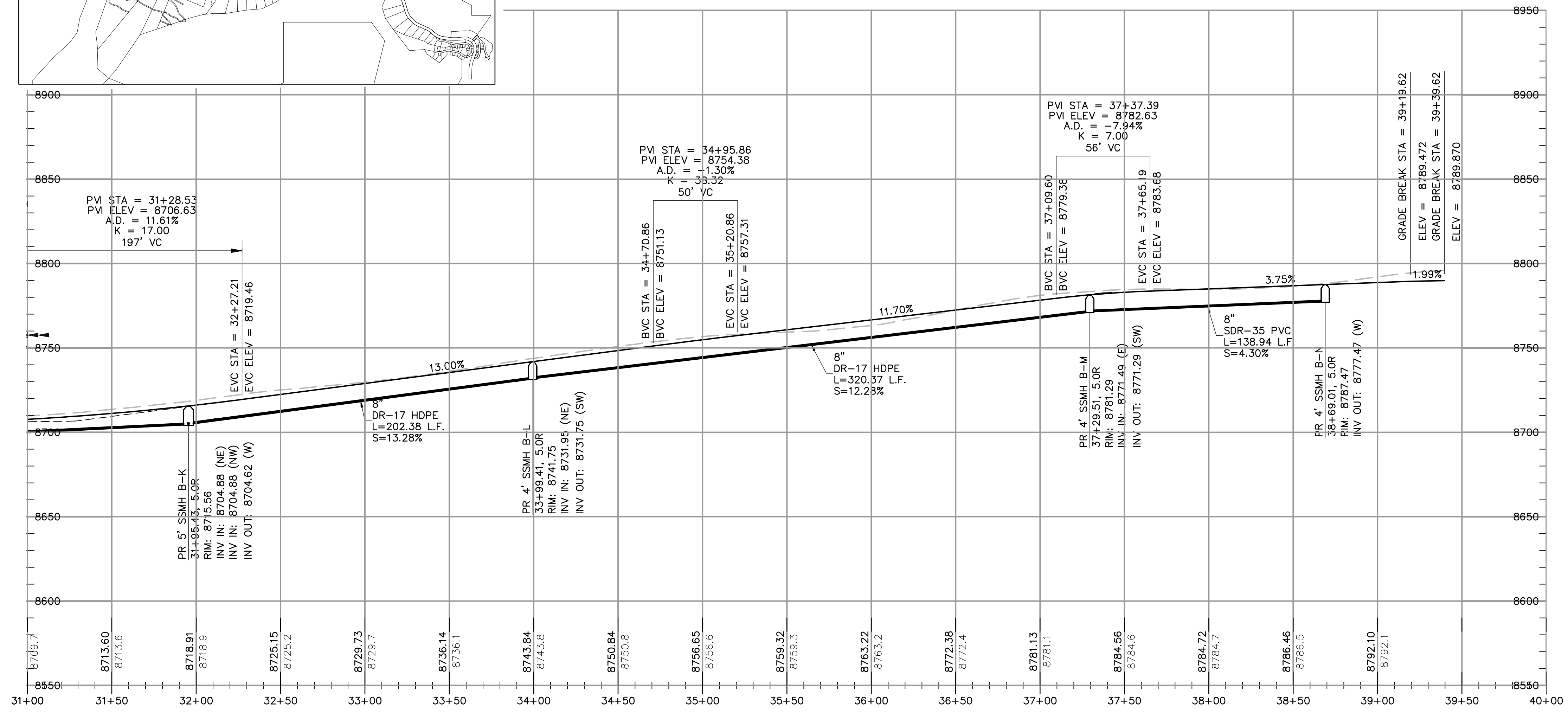




HORIZON RUN
 STA: 31+00.00 TO 39+39.62



LATERAL TABLE		
NO.	STATION	OFFSET
21	31+95.41	-35
22	32+14.78	35
23	32+24.78	35
24	33+30.20	-35
25	33+40.35	35
26	33+42.30	-35
27	33+48.86	35
28	34+57.42	35
29	34+69.54	35
30	35+54.12	-35
31	35+64.12	-35
32	36+23.05	35
33	36+33.05	35
34	38+38.55	35
35	38+45.38	35

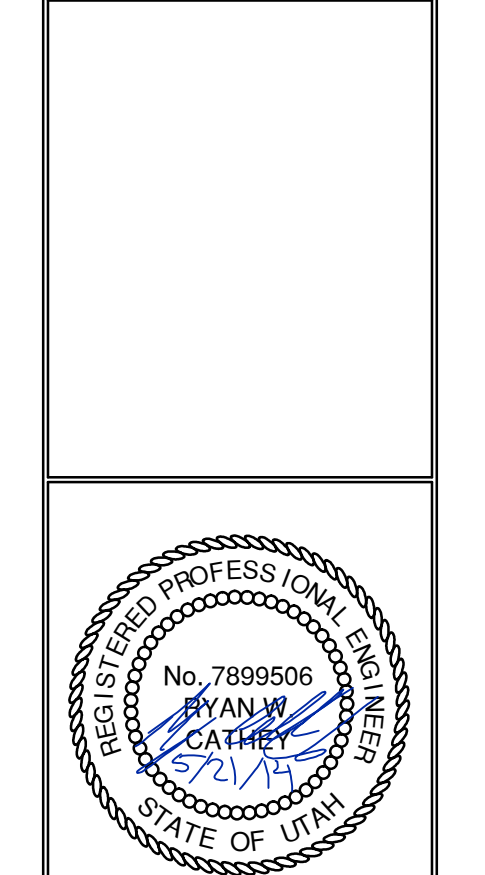


NO.	BY	DATE	REVISIONS
1	RMC	8/7/2013	ADD/NOV 1
2	RMC	7/27/2014	WEBER COUNTY REVIEW REVISIONS
3	RMC	5/27/2014	FOR L. ESDM

SUMMIT EDEN PHASE 1A
PLAN AND PROFILE
HORIZON RUN

PREPARED FOR: SUMMIT MOUNTAIN HOLDING GROUP, LLC DATE SUBMITTED: 01/07/2014

NV5
 BEYOND ENGINEERING
 6217 SOUTH STATE STREET, SUITE 200
 MURRAY, UT 84107
 WWW.NV5.COM



SHEET NUMBER
2.02

SCALE
 VERTICAL: 1" = 40'
 HORIZONTAL: 1" = 40'

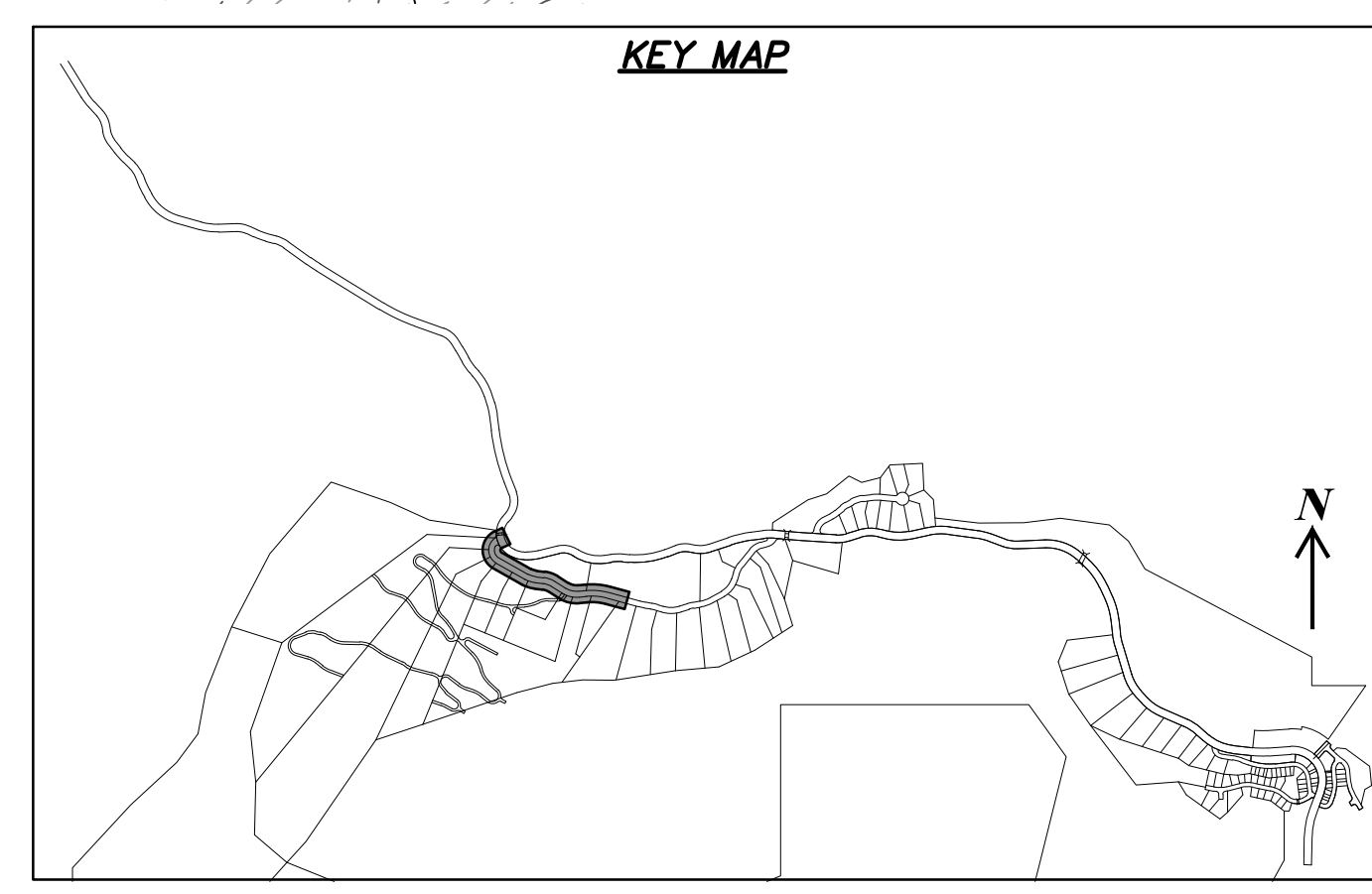
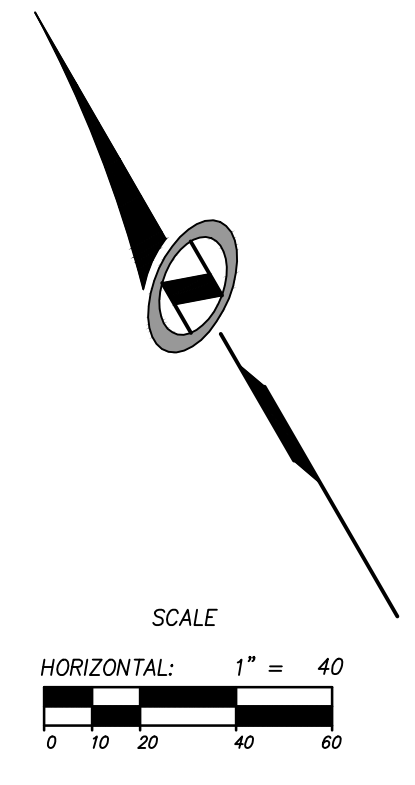
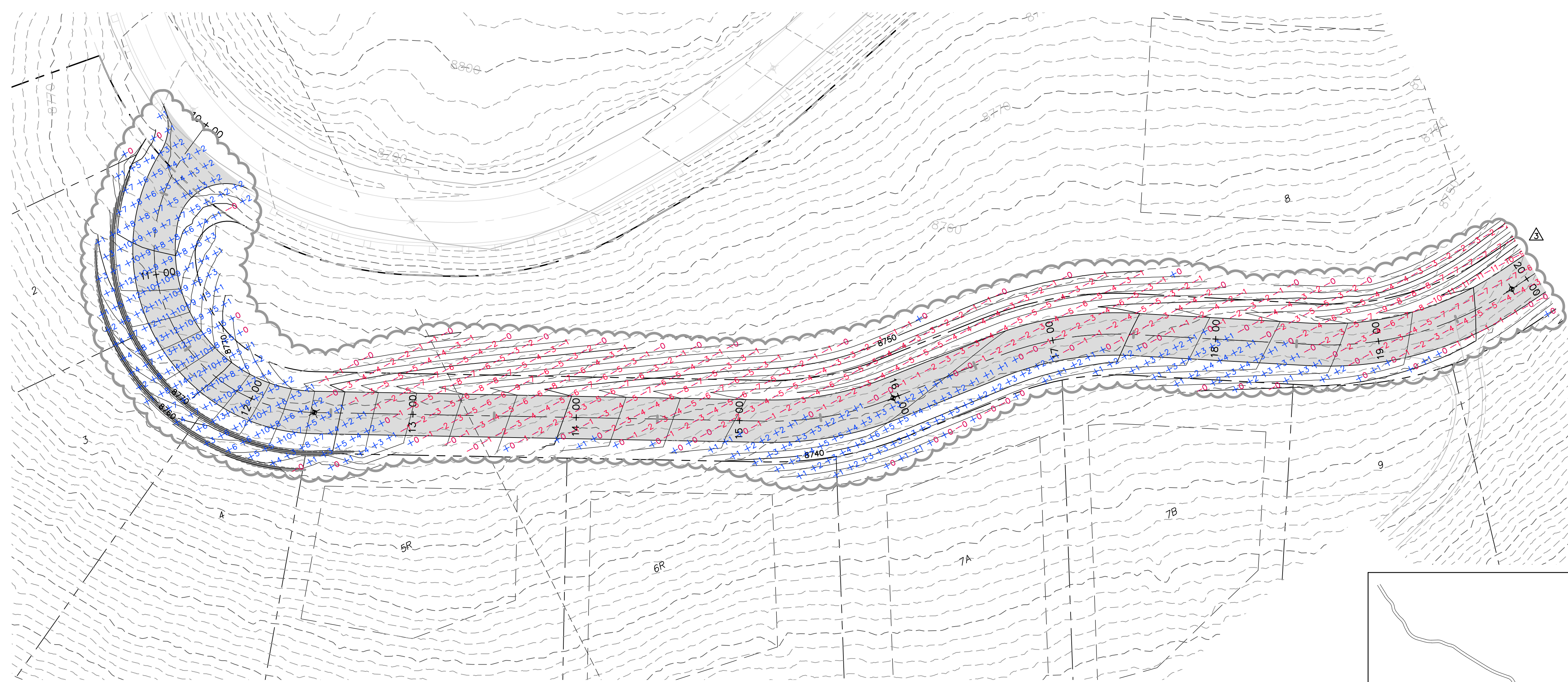
JOB NUMBER
SLB079306

The engineer preparing these plans will not be responsible for, or liable for, unauthorized changes to or uses of these plans, and must be approved by the preparer of these plans.

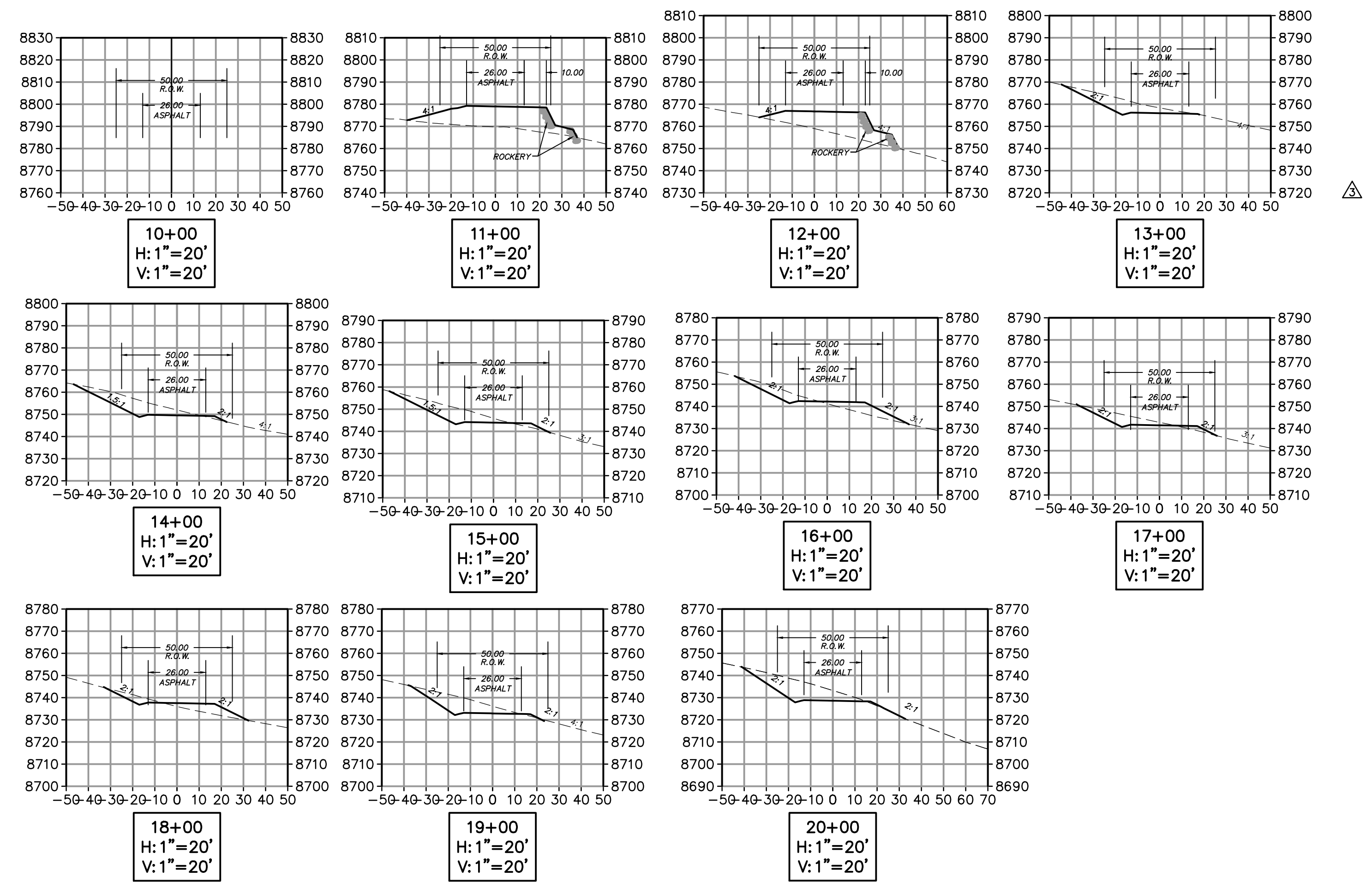
CAUTION

DATE: 5/20/14 TIME: 2:33:42 PM DRAWING NAME: P23000F.DWG
 SERVER: NONE PAGE SETUP: P23000F-24x36 LAYOUT: P23000F
 PATH: N:\SLB0793\CADD\PHASE 1\DWG\1-A_030000.dwg TB PROJ MOR: RE

BOWDEN
 XREFS:



HORIZON RUN
 STA: 10+00.00 TO 20+00.00



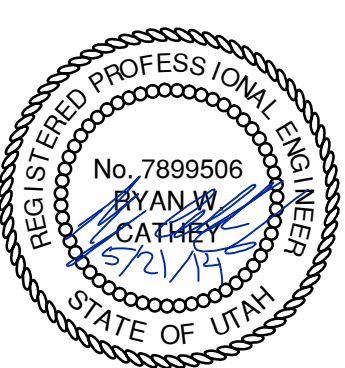
NO.	BY	DATE	REVISIONS
1	RMC	8/27/2013	ADDENDUM 1
2	RMC	10/27/2014	WEBB COUNTY REVIEW REVISIONS
3	RMC	5/27/2014	FOR T. ESSLER

CAUTION
 The engineer preparing these plans will not be responsible for, or liable for, unauthorized changes to or uses of these plans. Any such changes or uses must be approved by the preparer of these plans.

SUMMIT EDEN PHASE 1A
EARTHWORK AND SECTIONS
HORIZON RUN

PREPARED FOR: SUMMIT MOUNTAIN HOLDING GROUP, LLC DATE SUBMITTED: 01/07/2014

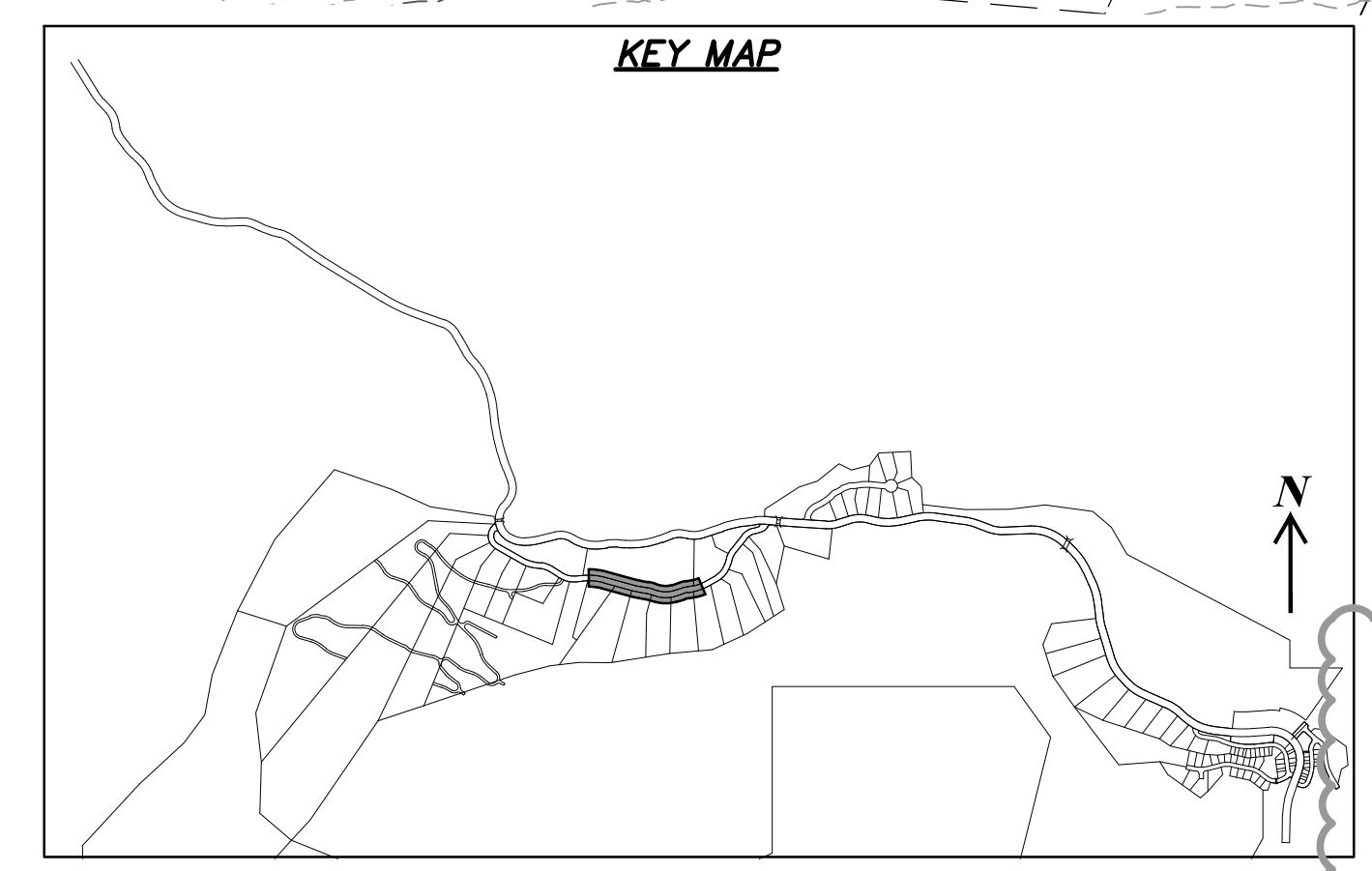
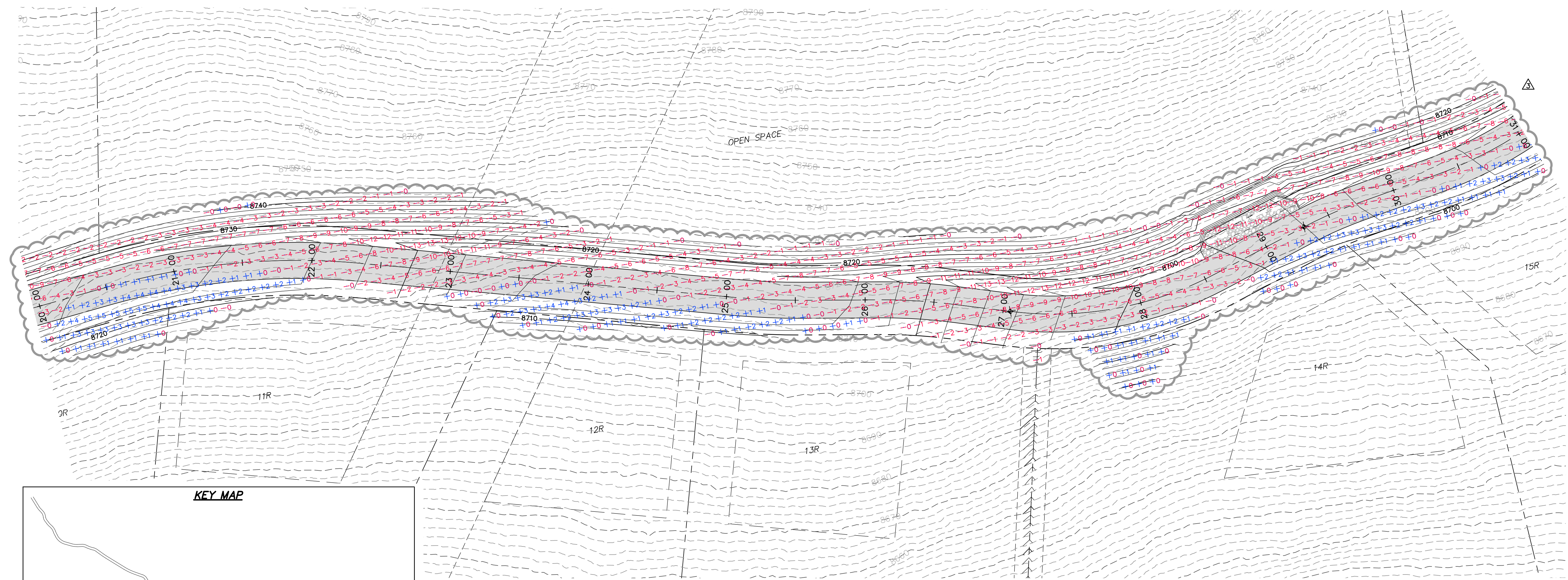
NV5
 BEYOND ENGINEERING
 627 SOUTH STATE STREET, SUITE 200
 801743.0000 TEL. 801743.0000 FAX
 MURRAY, UT 84107
 WWW.NV5.COM



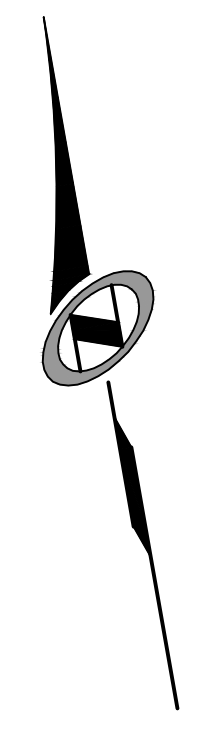
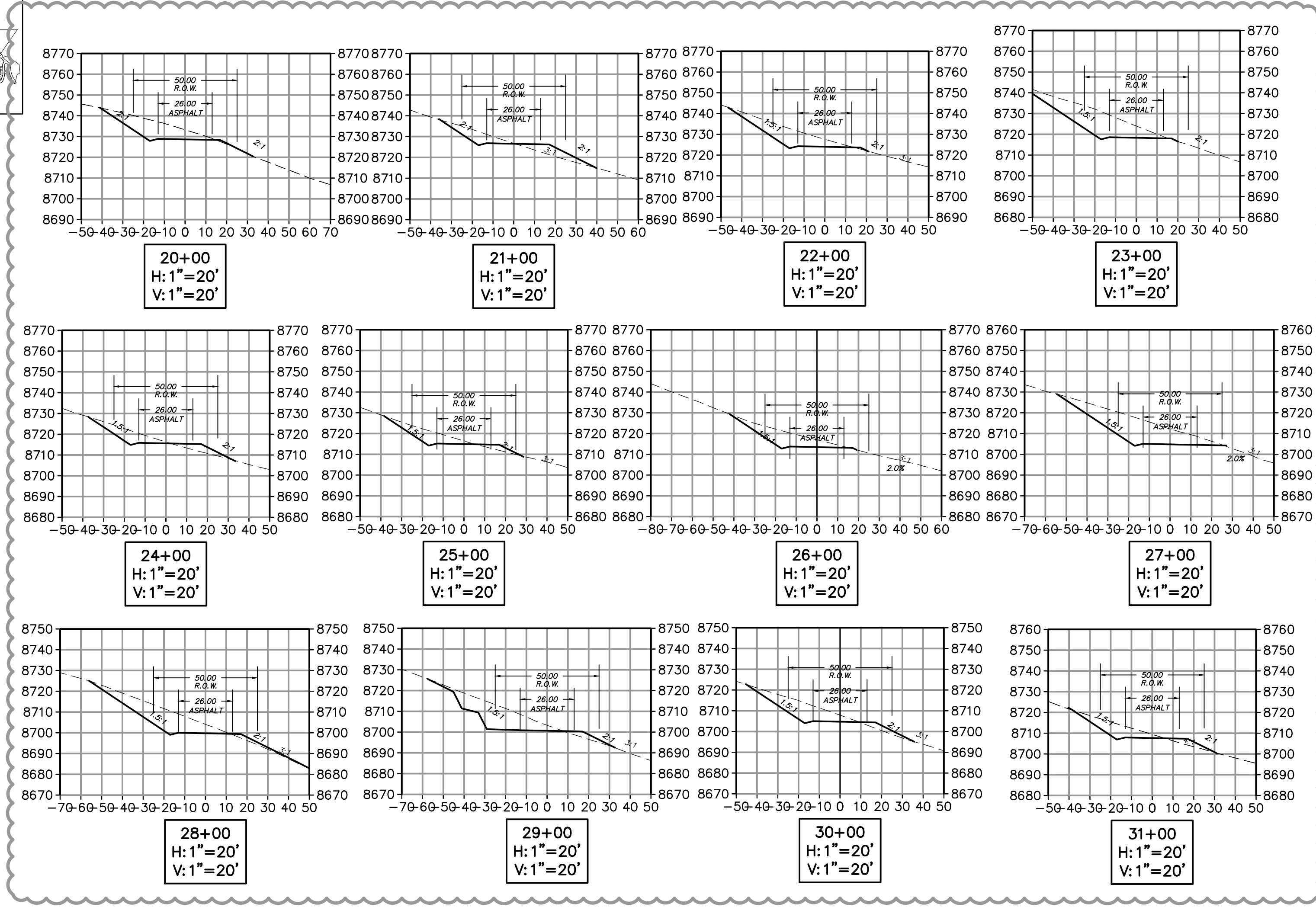
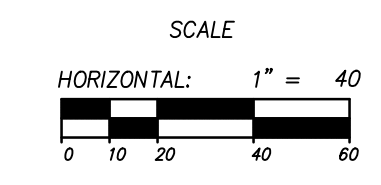
SHEET NUMBER
3.00
 SCALE
 VERTICAL: 1" = 40'
 HORIZONTAL: 1" = 40'
 JOB NUMBER
SLB079306

DATE: 5/20/14 TIME: 2:44:50 PM DRAWING NAME: P:\2014\DWG
 NONE PAGE SETUP: P:\2014\24-36 LAYOUT: P:\2014\24-36
 SERVER: N:\B\0793\CADD\PHASE 1\DWG\1-A REGION: UT PROJ. MOR: RE

BOWDEN
 XREFS:



HORIZON RUN
 STA: 20+00.00 TO 31+00.00



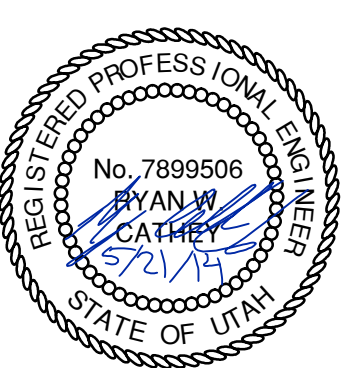
NO.	BY	DATE	REVISIONS
1	RWC	8/7/2013	ADDendum 1
2	RWC	7/27/2014	WEBER COUNTY REVIEW REVISIONS
3	RWC	5/27/2014	FOR L. ESDEN

CAUTION
 The engineer preparing these plans will not be responsible for, or liable for, unauthorized changes to or uses of these plans. Any such changes or uses must be approved by the preparer of these plans.

SUMMIT EDEN PHASE 1A
EARTHWORK AND SECTIONS
HORIZON RUN

PREPARED FOR: SUMMIT MOUNTAIN HOLDING GROUP, LLC DATE SUBMITTED: 01/07/2014

NV5
 BEYOND ENGINEERING
 5217 SOUTH STATE STREET, SUITE 200
 801743.0000 TEL. 801743.0000 FAX
 MURRAY, UT 84107
 WWW.NV5.COM



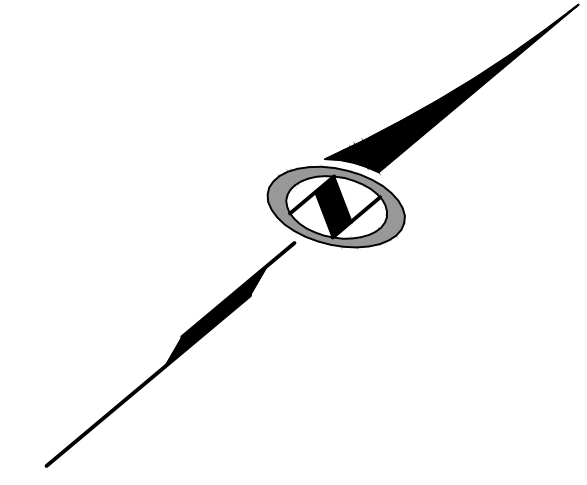
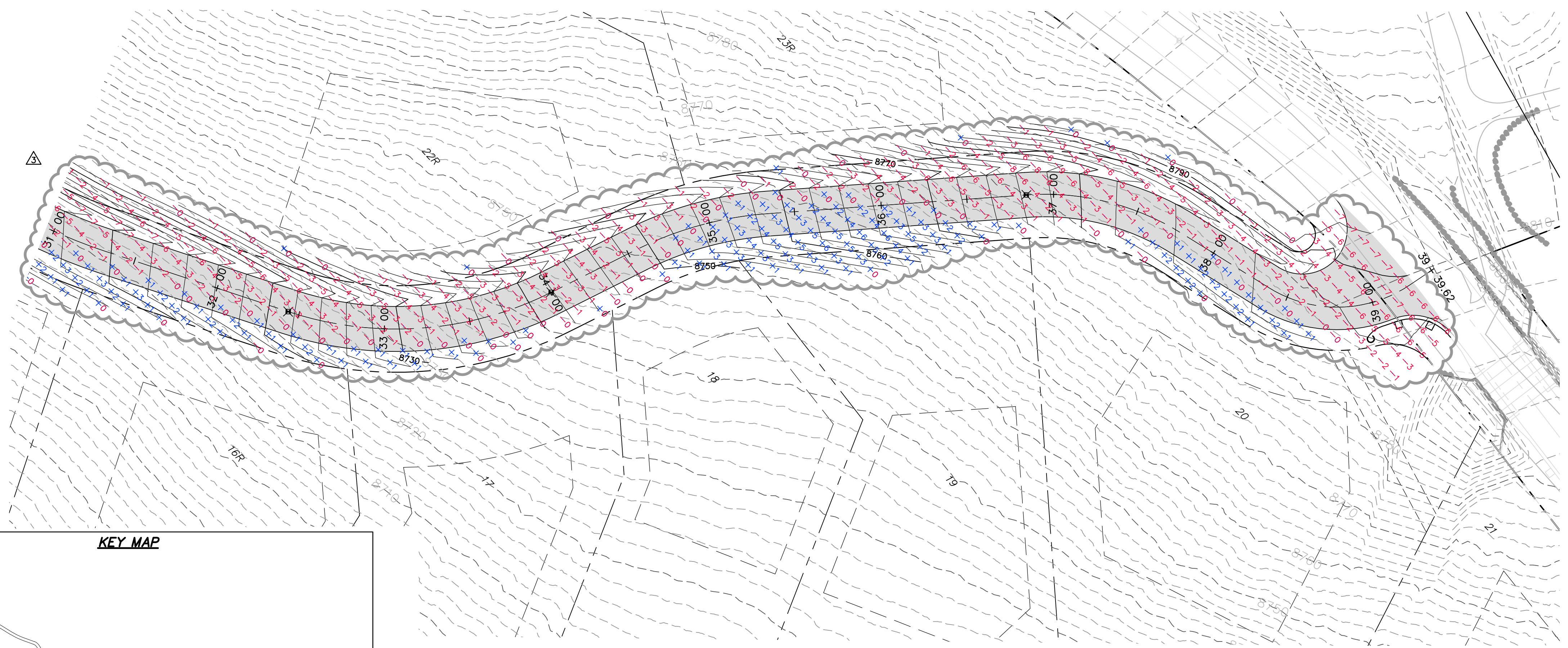
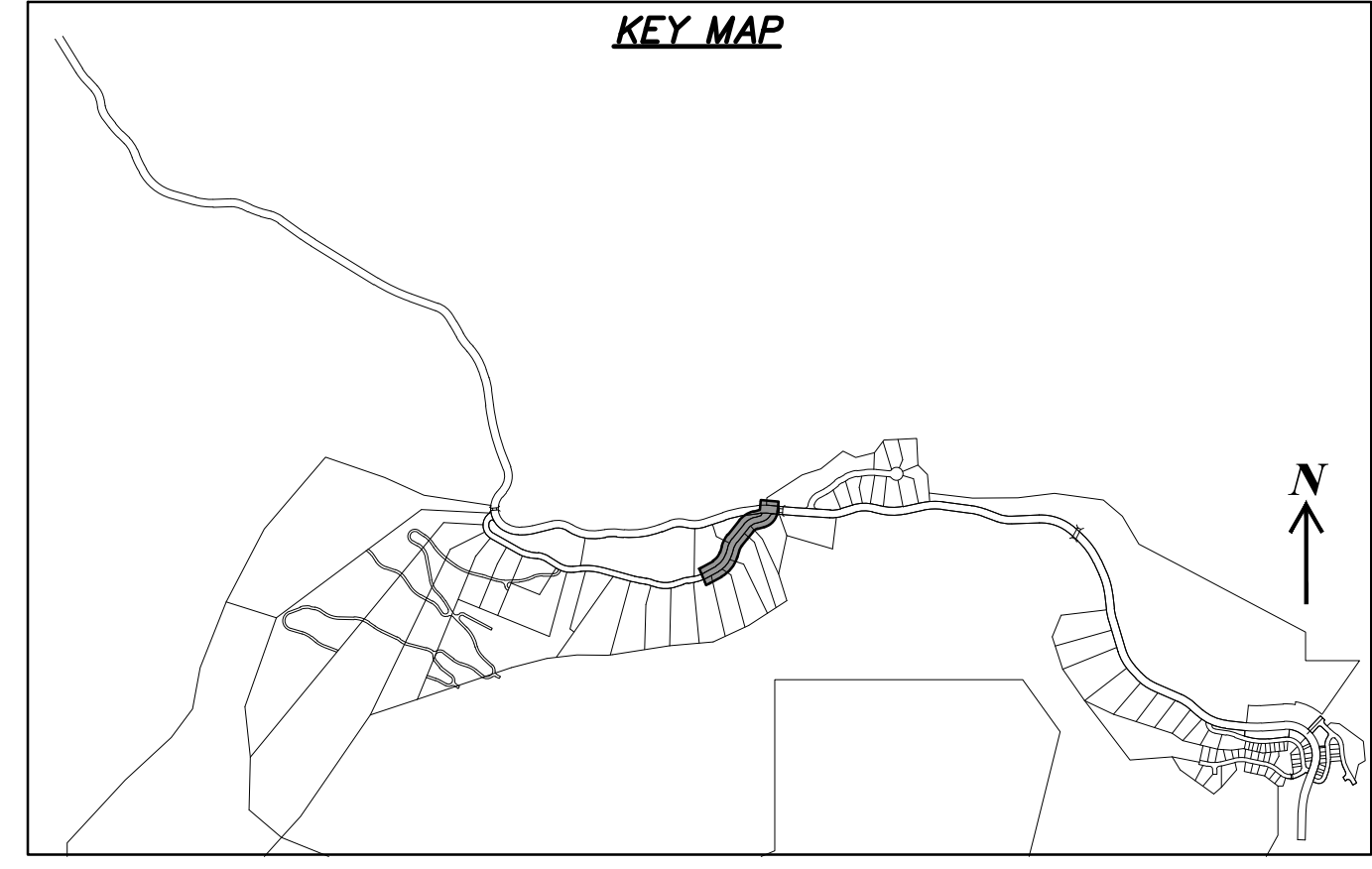
SHEET NUMBER
3.01

SCALE
 VERTICAL: 1" = 40'
 HORIZONTAL: 1" = 40'

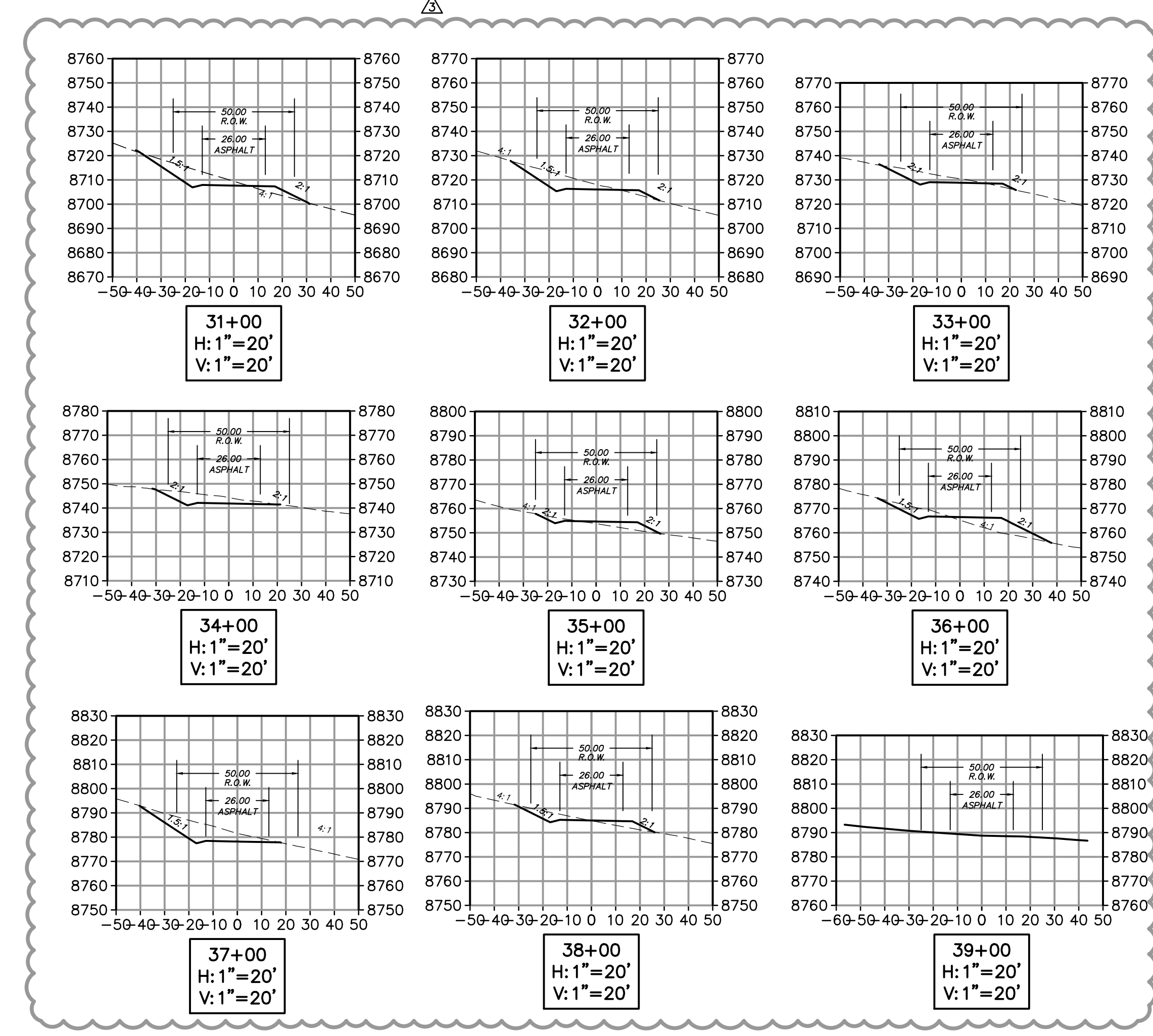
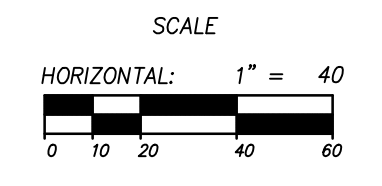
JOB NUMBER
SLB079306



DATE: 5/20/14 TIME: 2:55:58 PM DRAWING NAME: P2302CF.DWG
 SERVER: NONE PAGE SETUP: P2302CF-24x36 LAYOUT: P2302CF
 PATH: N:\B0793\CAD\PHASE 1\DWG\1-A_02302CF.TB PROJ. MOR: RE



HORIZON RUN
 STA: 31+00.00 TO 39+39.62

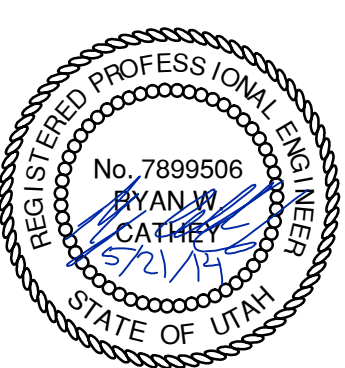


SUMMIT EDEN PHASE 1A
EARTHWORK AND SECTIONS
HORIZON RUN

NO.	BY	DATE	REVISIONS
1	RMC	8/27/2013	ADDendum 1
2	RMC	7/27/2014	WEBB COUNTY REVIEW REVISIONS
3	RMC	5/27/2014	FOR U. DESIGN

PREPARED FOR: SUMMIT MOUNTAIN HOLDING GROUP, LLC

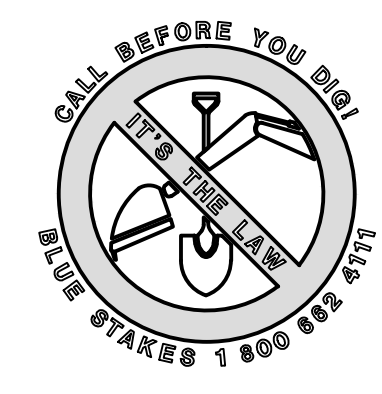
DATE SUBMITTED: 01/07/2014



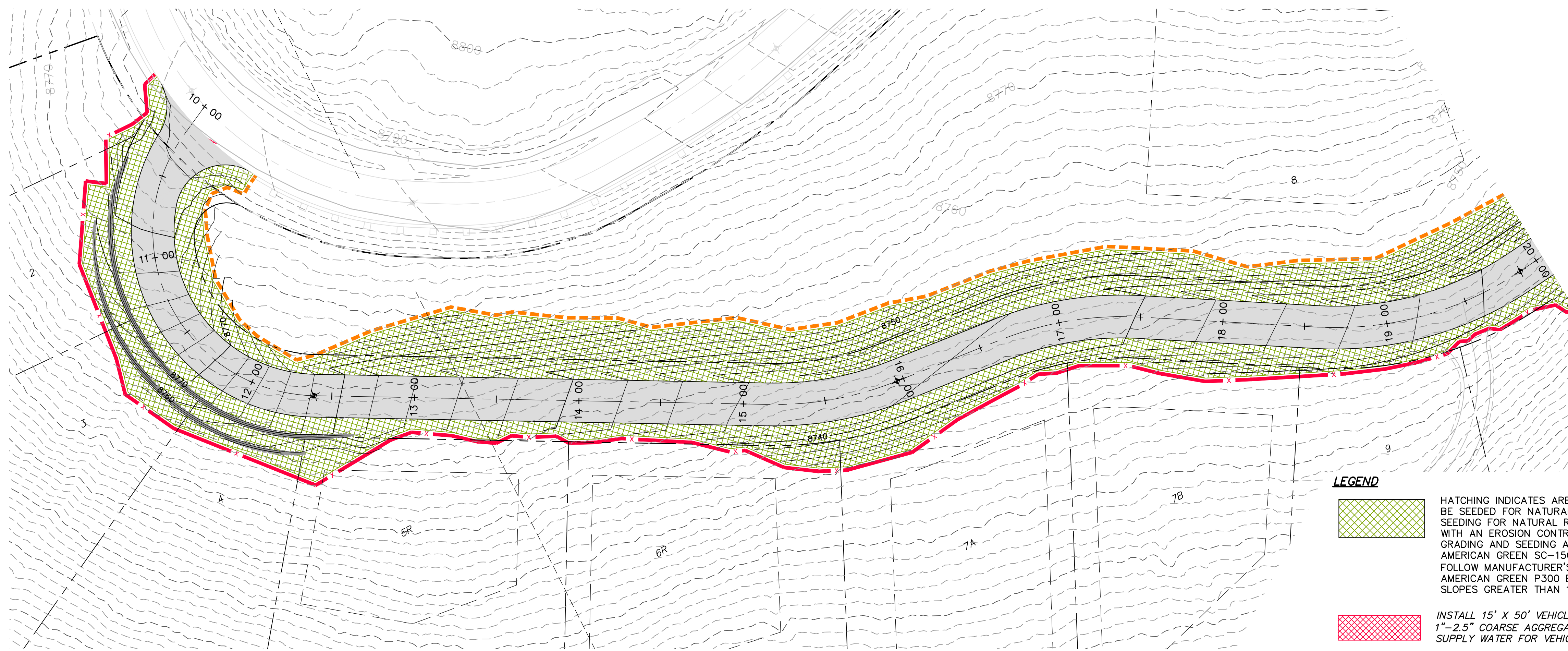
SHEET NUMBER
3.02

SCALE
 VERTICAL: 1" = 40'
 HORIZONTAL: 1" = 40'

JOB NUMBER
SLB079306



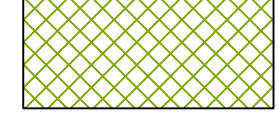
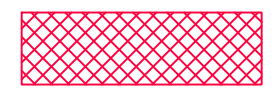
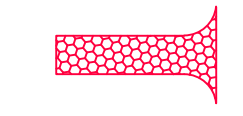



BOWDEN
 XREES:

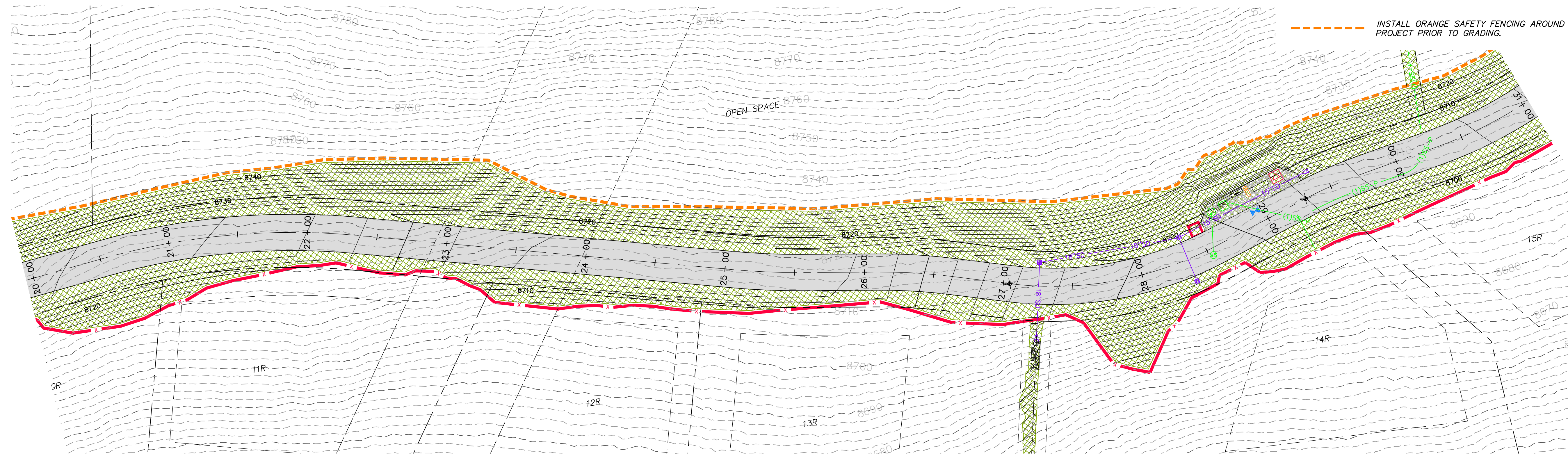
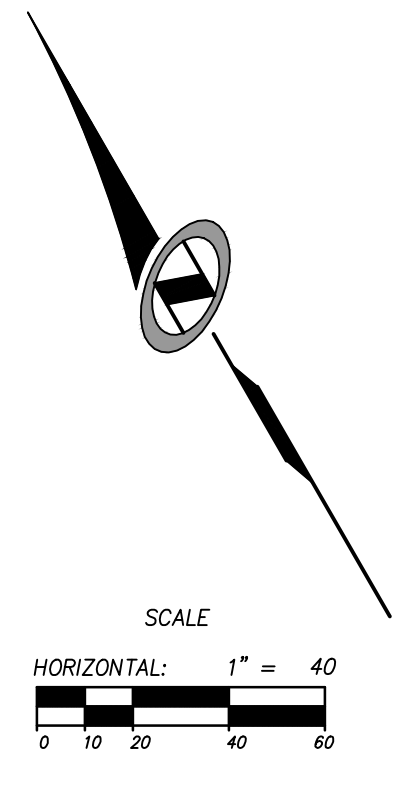


HORIZON RUN

STA: 10+00.00 TO 20+00.00

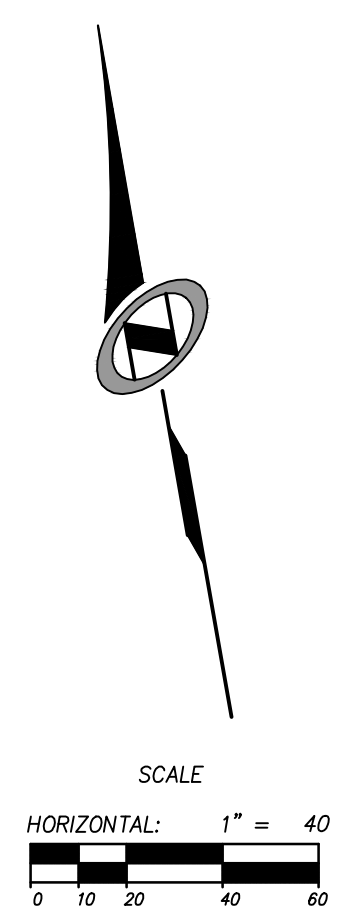
LEGEND

-  HATCHING INDICATES AREAS TO RECEIVE 4" TOPSOIL AND TO BE SEEDED FOR NATURAL REVEGETATION. AREAS RECEIVING SEEDING FOR NATURAL REVEGETATION MUST BE COVERED WITH AN EROSION CONTROL BLANKET AFTER THE FINAL GRADING AND SEEDING ARE FINISHED. INSTALL NORTH AMERICAN GREEN SC-150 BLANKET OR APPROVED EQUAL. FOLLOW MANUFACTURER'S SPECIFICATIONS. INSTALL NORTH AMERICAN GREEN P300 EROSION CONTROL BLANKET ON ALL SLOPES GREATER THAN 1.5:1.
-  INSTALL 15' X 50' VEHICLE WASH DOWN AREA WITH 1"-2.5" COARSE AGGREGATE PLACED A MINIMUM 8" THICK. SUPPLY WATER FOR VEHICLE WASH DOWN.
-  STABILIZED CONSTRUCTION ENTRANCE FOR SITE INGRESS/EGRESS. IF ALTERNATE ACCESS POINTS ARE APPROVED BY OWNER, ADDITIONAL STABILIZED CONSTRUCTION ENTRANCES WILL BE REQUIRED.
-  INSTALL INLET PROTECTION IN FORM OF CONCRETE BLOCKS / FILTER CLOTH / GRAVEL OR SILT SACK AT EXISTING AND PROPOSED CATCH BASINS AS SHOWN ON PLAN.
-  INSTALL SILT FENCE ALONG DOWN GRADIENT LIMITS OF DISTURBANCE AS SHOWN ON PLAN.
-  INSTALL ORANGE SAFETY FENCING AROUND OUTER LIMITS OF PROJECT PRIOR TO GRADING.



HORIZON RUN

STA: 20+00.00 TO 31+00.00



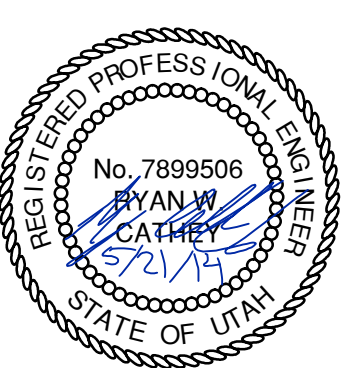
NO.	BY	DATE	REVISIONS
1	RWC	8/7/2013	ADDendum 1
2	RWC	7/27/2014	WEBB COUNTY REVIEW REVISIONS
3	RWC	5/27/2014	FOR T. ESDEN

CAUTION
 The engineer preparing these plans will not be responsible for, or liable for, unauthorized changes to or uses of these plans unless specifically approved by the preparer of these plans.

SUMMIT EDEN PHASE 1A
EROSION CONTROL PLAN
HORIZON RUN

PREPARED FOR: SUMMIT MOUNTAIN HOLDING GROUP, LLC DATE SUBMITTED: 01/07/2014

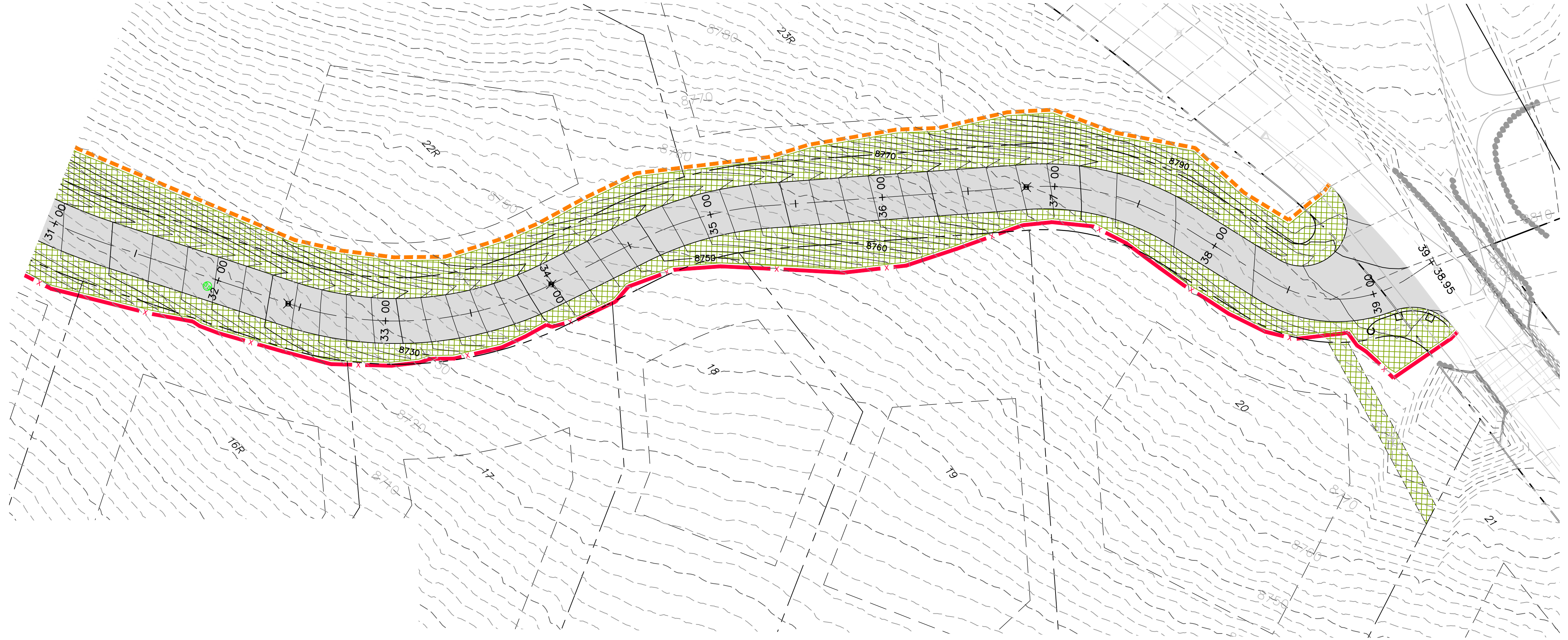
NV5
 BEYOND ENGINEERING
 5217 SOUTH STATE STREET, SUITE 200
 MURRAY, UT 84107
 801.743.0300 TEL. 801.743.0300 FAX
 WWW.NV5.COM



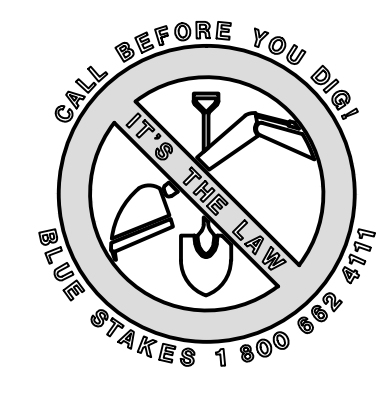
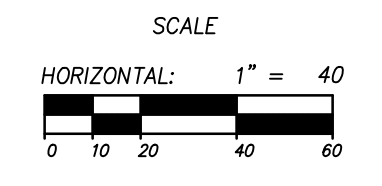
SHEET NUMBER
4.00

SCALE
 VERTICAL: 1" = 40'
 HORIZONTAL: 1" = 40'

JOB NUMBER
SLB079306



HORIZON RUN
 STA: 31+00.00 TO 39+39.62



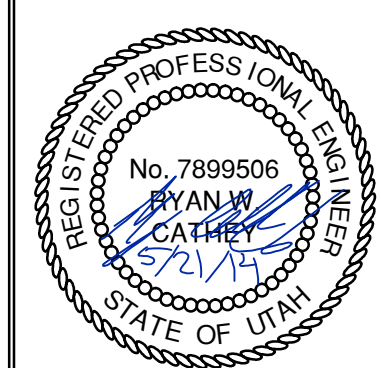
NO.	BY	DATE	REVISIONS
1	RWC	8/27/03	ADD/NOV 1
2	RWC	07/28/04	WEBER COUNTY REVIEW REVISIONS
3	RWC	5/27/2014	FOR U. DESIGN

CAUTION
 The engineer preparing these plans will not be responsible for, or liable for, unauthorized changes to or uses of these plans. Any such changes or uses must be approved by the preparer of these plans.

SUMMIT EDEN PHASE 1A
EROSION CONTROL PLAN
HORIZON RUN

PREPARED FOR: SUMMIT MOUNTAIN HOLDING GROUP, LLC DATE SUBMITTED: 01/07/2014

NV5
 BEYOND ENGINEERING
 627 SOUTH STATE STREET, SUITE 200
 801743.0000 TEL 801743.0000 FAX
 MURRAY, UT 84107
 WWW.NV5.COM



SHEET NUMBER
4.01

SCALE
 VERTICAL: 1" = 40'
 HORIZONTAL: 1" = 40'

JOB NUMBER
SLB079306

3' X 3' LID
WT. 990 #

3' X 3' RISER

3' X 3' BASE

WEIGHTS		
HEIGHT	BASE	RISER
6"		550 #
1'		1,099 #
2'		2,198 #
3'	3,171 #	3,297 #
4'	4,796 #	4,207 #
5'	5,896 #	5,259 #
6'	6,994 #	7,894 #

NOTES:
 1. Vault design complies with ASTM C-857 and C-858 with less than 2" of earth cover and an AHSIFD HS-20 loading.
 2. Lifting insert type and location may change without notice.

Oldcastle Precast
 801 West 12th Street, Ogden, Utah 84404
 Phone: 801-399-1171 Fax: 801-392-7849
 www.oldcastleprecast.com

3' x 3' Basin
 FILE NAME: 210D1C3X3CB000
 ISSUE DATE: 1/08
 Copyright © 2008

3' x 3' Catch Basin
 Bases, Risers and lid
 Copyright © 2008

3'x3' CATCH BASIN LID
ELEVATION VIEW

3'x3' CATCH BASIN LID
PLAN VIEW
31" DIA. OPENING

3'x3' CATCH BASIN LID
PLAN VIEW
2'x3" OPENING CENTER/OFFSET

3'x3' CATCH BASIN RISER
ELEVATION VIEW

3'x3' CATCH BASIN BASE
ELEVATION VIEW

3'x3' CATCH BASIN BASE / RISER
PLAN VIEW

JOINT DETAIL

KNOCKOUT	
BASE HEIGHT	DIA.
3'	30"
4'	36"
5'	36"
6'	36"

KNOCKOUTS ARE 4" DEEP

Oldcastle Precast
 801 West 12th Street, Ogden, Utah 84404
 Phone: 801-399-1171 Fax: 801-392-7849
 www.oldcastleprecast.com

3' x 3' Basin
 FILE NAME: 210D1C3X3CB000
 ISSUE DATE: 1/08
 Copyright © 2008

3' x 3' Catch Basin
 Bases, risers and lid
 Copyright © 2008

PLAN VIEW

SECTION A-A

END VIEW

Diag.	Slope	X	Y	A	B	C	E	F	G
12"	2.4 : 1	4"	24"	48%	72%	24"	2"		
15"	2.4 : 1	6"	27"	46%	73%	30"	2 1/2"		
18"	2.3 : 1	9"	29"	46%	73%	36"	2 1/2"		
24"	2.5 : 1	12"	30"	43%	73%	48"	3"		
30"	2.5 : 1	12"	34"	43%	73%	60"	3 1/2"		
36"	2.5 : 1	15"	35"	43%	73%	72"	4"		
42"	2.5 : 1	21"	35"	43%	73%	84"	4 1/2"		
48"	2.5 : 1	24"	35"	43%	73%	96"	5"		

Oldcastle Precast
 801 West 12th Street, Ogden, Utah 84404
 Phone: 801-399-1171 Fax: 801-392-7849
 www.oldcastleprecast.com

Flared End
 FILE NAME: 210DPERNDFLARE
 ISSUE DATE: 5/2008
 Copyright © 2008

Flared End Section
 for Round Pipe
 Copyright © 2008

I-3742 Drop Inlet

CAST IRON to conform to ASTM A-48, CLASS 35B H-20 Wheel Loading

I-3742
 Est. weight 582 lbs.

D&L SUPPLY
 D&L Foundry
 P.O. Box 1315
 Moses Lake, WA 98837
 Phone: (509) 765-7952 Fax: (509) 765-8124
 Scale: 1" = 17 1/2" Sheet Number: 1 Total Sheets: 1

Designation: I-3742 Date of Drawing: JUL 1994 Prepared by: D&L Supply

SINGLE GRATE

PLAN

SECTION A-A

SECTION B-B

SECTION C-C

Catch basin

September 2010 155

Oldcastle Precast
 801 West 12th Street, Ogden, Utah 84404
 Phone: 801-399-1171 Fax: 801-392-7849
 www.oldcastleprecast.com

Flared End
 FILE NAME: 210DPERNDFLARE
 ISSUE DATE: 5/2008
 Copyright © 2008

Flared End Section
 for Round Pipe
 Copyright © 2008

SUMMIT EDEN PHASE 1A
STORM DRAIN DETAILS

DATE SUBMITTED: 01/07/2014

PREPARED FOR: SUMMIT MOUNTAIN HOLDING GROUP, LLC

NV5
 BEYOND ENGINEERING
 527 SOUTH STATE STREET, SUITE 200
 MURRAY, UT 84107
 801.743.0300 TEL. 801.743.0300 FAX
 WWW.NV5.COM

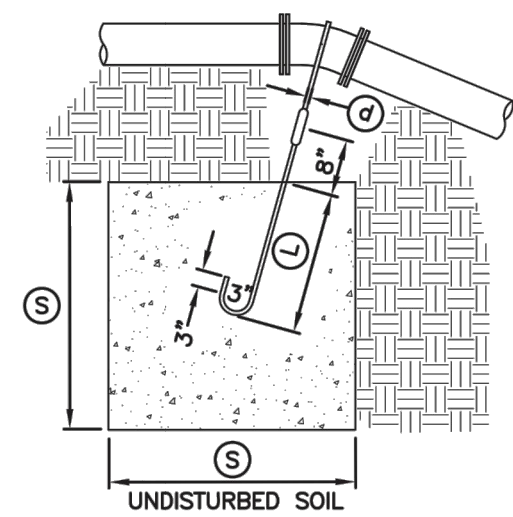
REGISTERED PROFESSIONAL ENGINEER
 No. 7899506
 RYAN W. CATHEY
 8/21/14
 STATE OF UTAH

SHEET NUMBER
5.00

SCALE
 VERTICAL: 1" = N/A
 HORIZONTAL: 1" = N/A

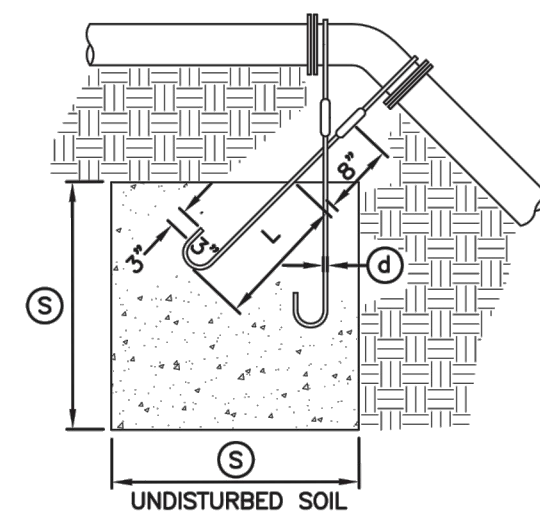
JOB NUMBER
SLB079306

CALL BEFORE YOU DIG!
 BLUE STAKES 1 800 632 6781



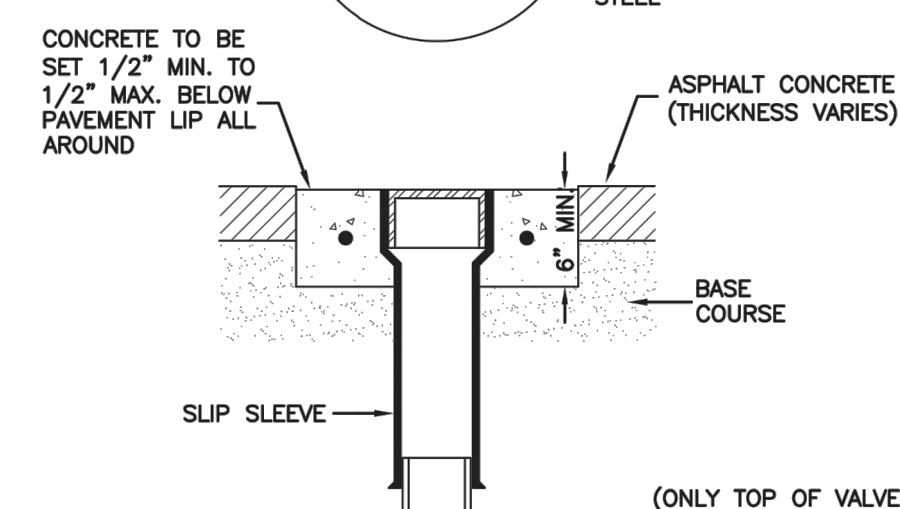
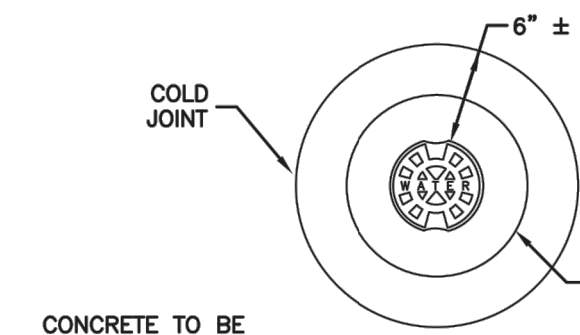
TYPE A RESTRAINT
 FOR 11 1/4" - 22 1/2" VERTICAL BENDS

PIPE SIZE NOMINAL DIAMETER - INCH	VERTICAL BEND IN DEGREES	CONCRETE BLOCKING IN CUBIC FEET	SIDE OF CURVE - FEET	DIAMETER OF SHANK OR REBAR RODS - INCH	DEPTH OF ROD CONCRETE - FEET
4"	11 1/4"	8	2.0	5/8"	1.5
	22 1/2"	15.6	2.5	5/8"	2.0
6"	11 1/4"	15.6	2.5	5/8"	2.0
	22 1/2"	34.3	3.25	5/8"	2.0
8"	11 1/4"	27	3.0	5/8"	2.0
	22 1/2"	64	4.0	5/8"	2.0
12"	11 1/4"	64	4.0	5/8"	2.0
	22 1/2"	125	5.0	3/4"	3.0
16"	11 1/4"	107	4.25	7/8"	3.0
	22 1/2"	216	6.0	7/8"	3.0
20"	11 1/4"	138	5.17	1"	3.5
	22 1/2"	334	6.94	1"	4.0
24"	11 1/4"	240	6.22	1"	4.0
	22 1/2"	478	7.81	1"	4.0
30"	11 1/4"	369	7.17	1"	4.0
	22 1/2"	733	9.02	1"	4.0

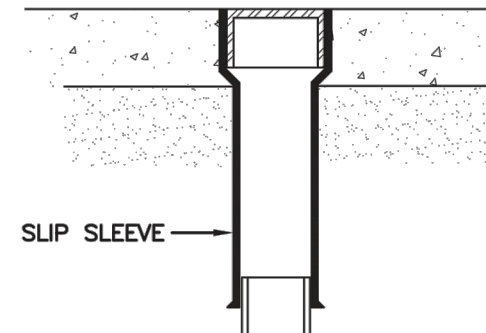


TYPE B RESTRAINT
 FOR 45° VERTICAL BENDS

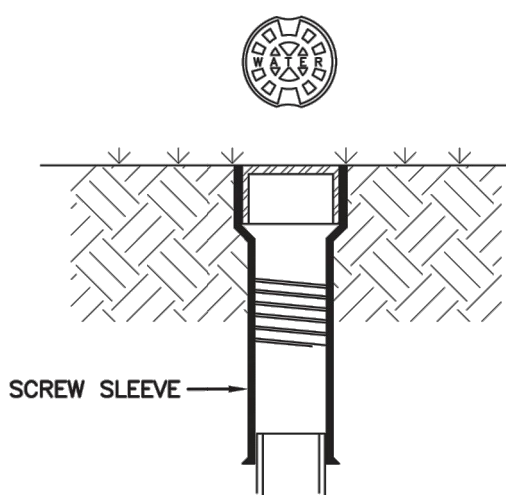
PIPE SIZE NOMINAL DIAMETER - INCH	VERTICAL BEND IN DEGREES	CONCRETE BLOCKING IN CUBIC FEET	SIDE OF CURVE - FEET	DIAMETER OF SHANK OR REBAR RODS - INCH	DEPTH OF ROD CONCRETE - FEET
4"	45°	1	3.0	5/8"	2.0
		2.37	4.0	5/8"	2.5
6"	45°	3.97	4.75	5/8"	3.0
		9.04	6.25	5/8"	4.0
8"	45°	17.24	7.75	3/4"	4.0
		26.52	9.25	3/4"	4.0
12"	45°	37.82	10.07	3/4"	4.0
		58.26	11.63	3/4"	4.0



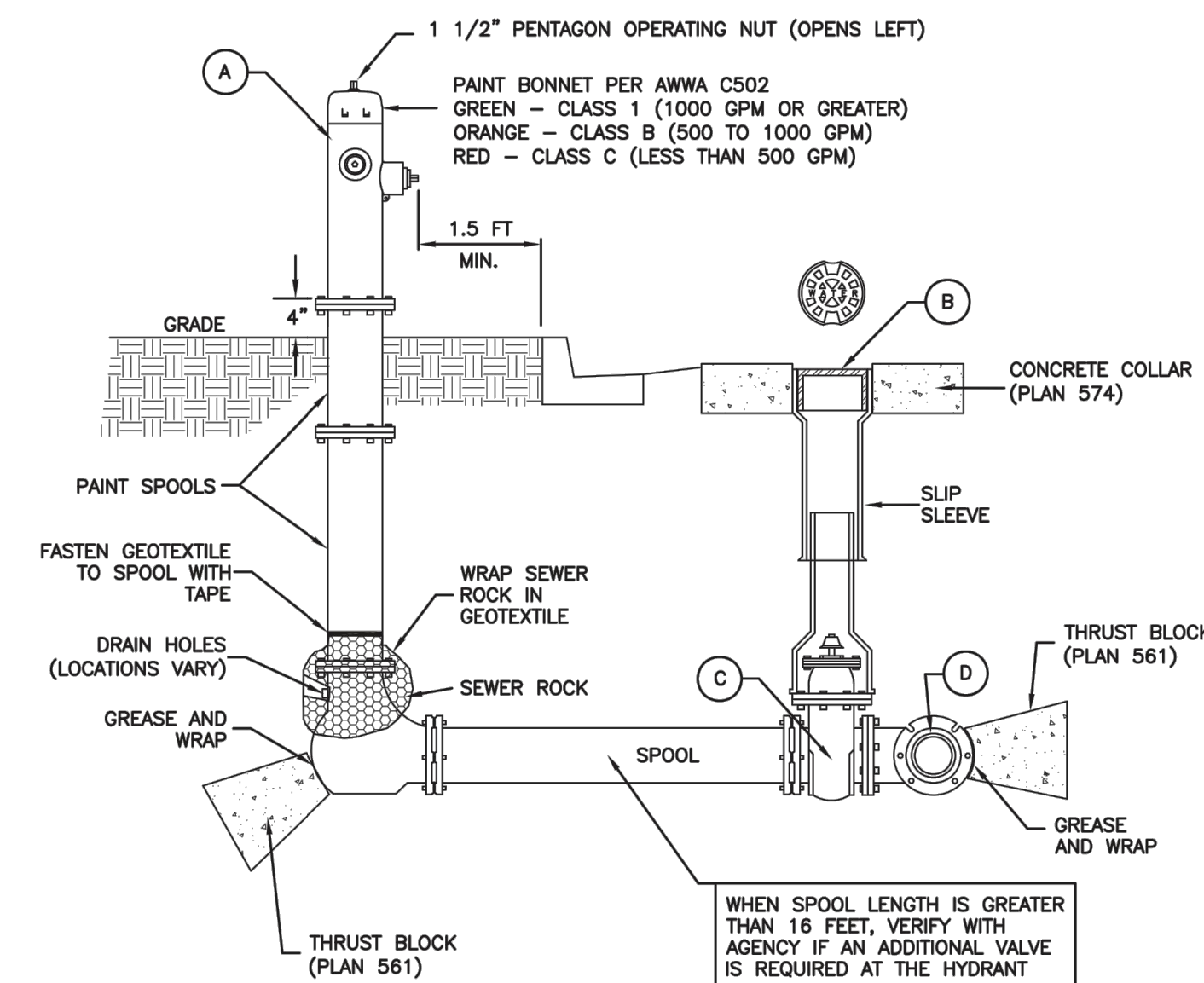
ASPHALT CONCRETE



CONCRETE PAVEMENT



LANDSCAPED AREA

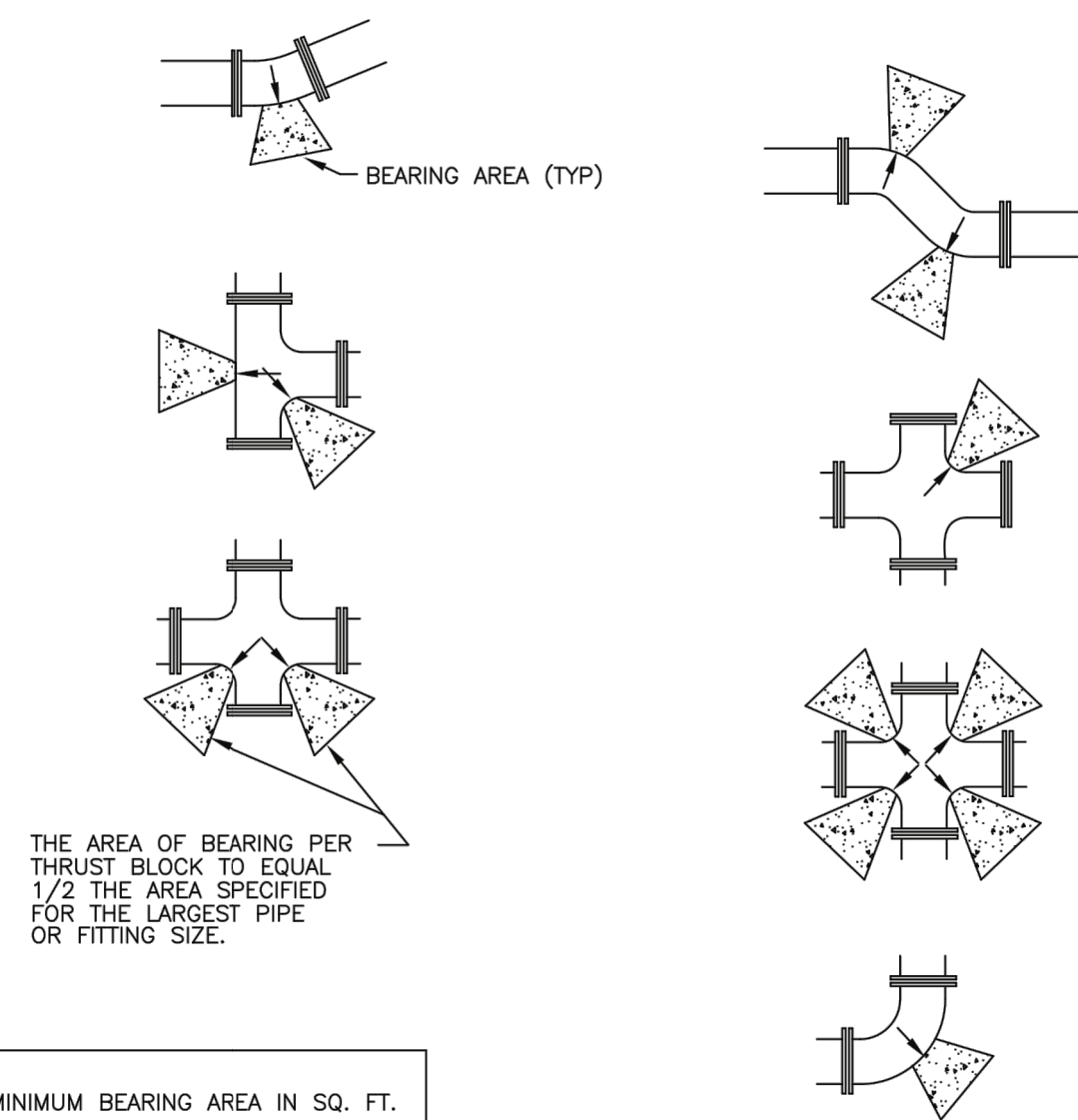


No.	ITEM	DESCRIPTION
(A)	FIRE HYDRANT	AWWA C502
(B)	VALVE BOX WITH LID	2-PIECE CAST IRON
(C)	GATE VALVE WITH 2" X 2" NUT	AWWA C509
(D)	TEE WITH 125 # FLANGE	AWWA C110

* FURNISHED BY UTILITY AGENCY

SECTION

Plan 562
 Tie-down thrust restraints
 April 1997 269

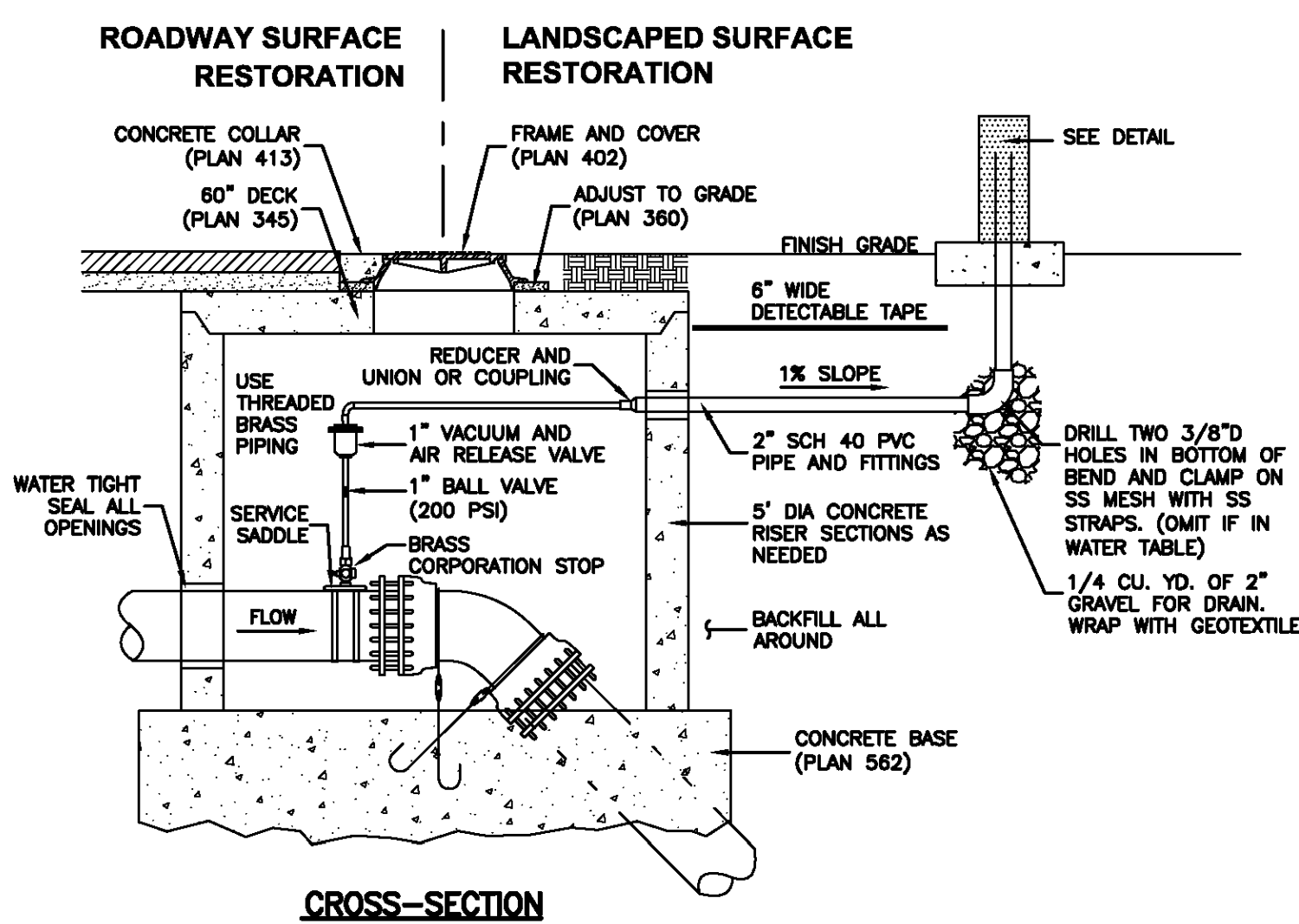


SIZE OF PIPE	TEES, VALVES, DEAD ENDS	90° BENDS	45° BENDS	22 1/2° BENDS	11 1/4° BENDS
4"	2	3	2	2	2
6"	4	5.5	3	1.5	1
8"	6.5	9.5	5	2.75	1.5
12"	14	20	11	5.5	3
14"	19	26.5	14.5	7.5	4
16"	24	34	18.5	9.5	6
20"	27	52	28.5	14.5	16
24"	53	74	41	21	53
30"	81	114	62	32	16

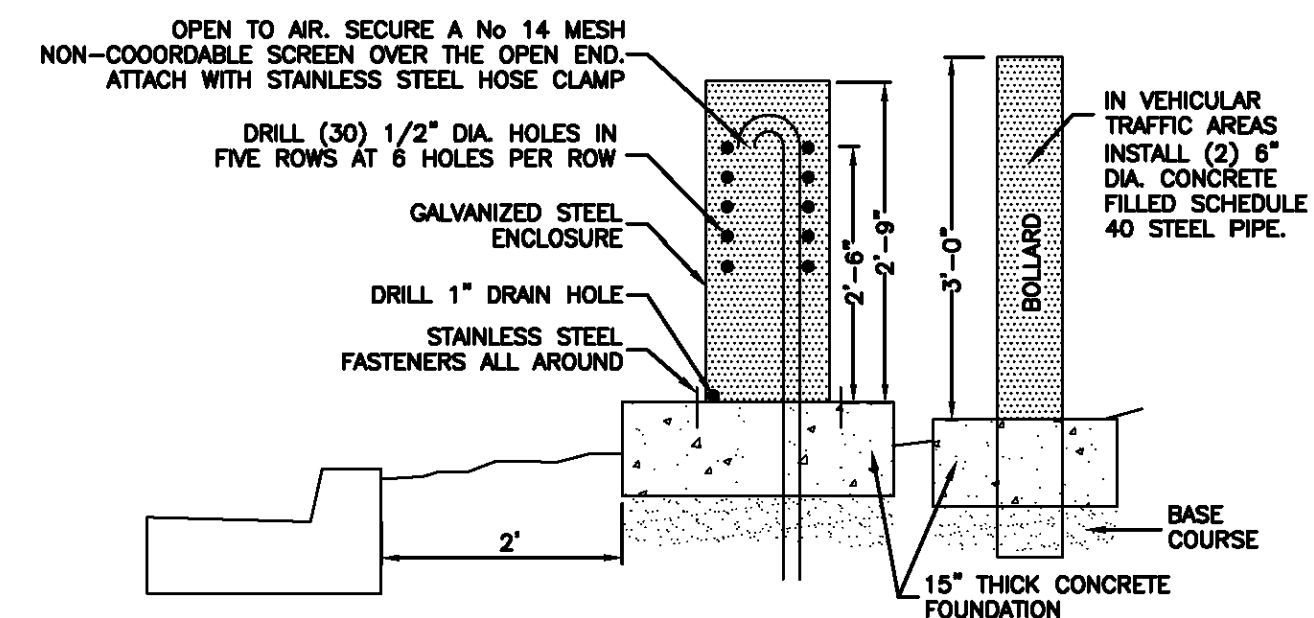
Direct bearing thrust block

April 1997 239

Plan 574
 Cover collar for water valve box
 August 2010 277



CROSS-SECTION

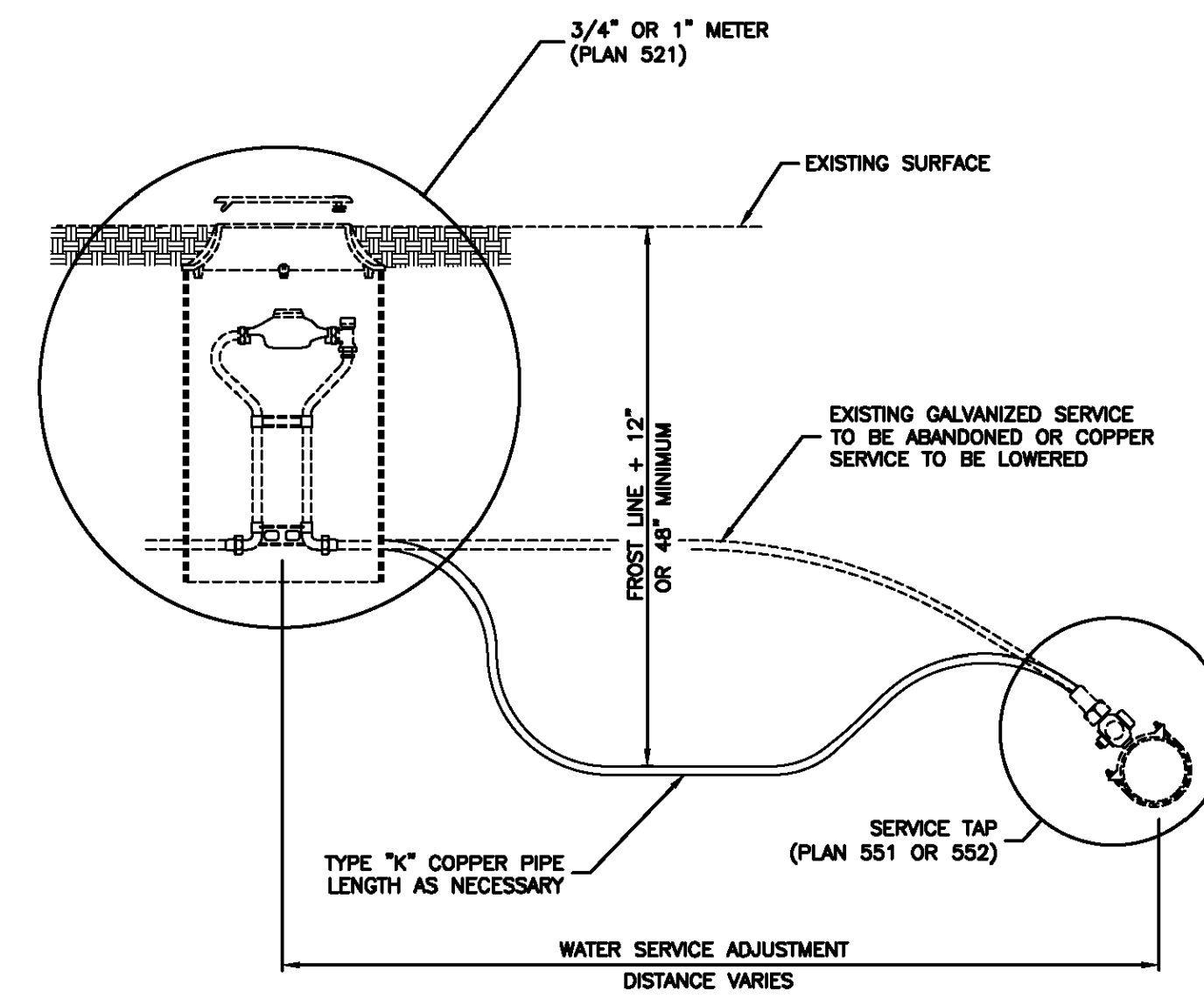


DETAIL

Air release assembly

February 2011 279

Plan 541
 Fire hydrant with valve
 February 2011 237



Water service line

August 2001 253

Plan No. 561
 February 2011 239

SUMMIT EDEN PHASE 1A
WATER DETAILS

PREPARED FOR: SUMMIT MOUNTAIN HOLDING GROUP, LLC
 DATE SUBMITTED: 01/07/2014

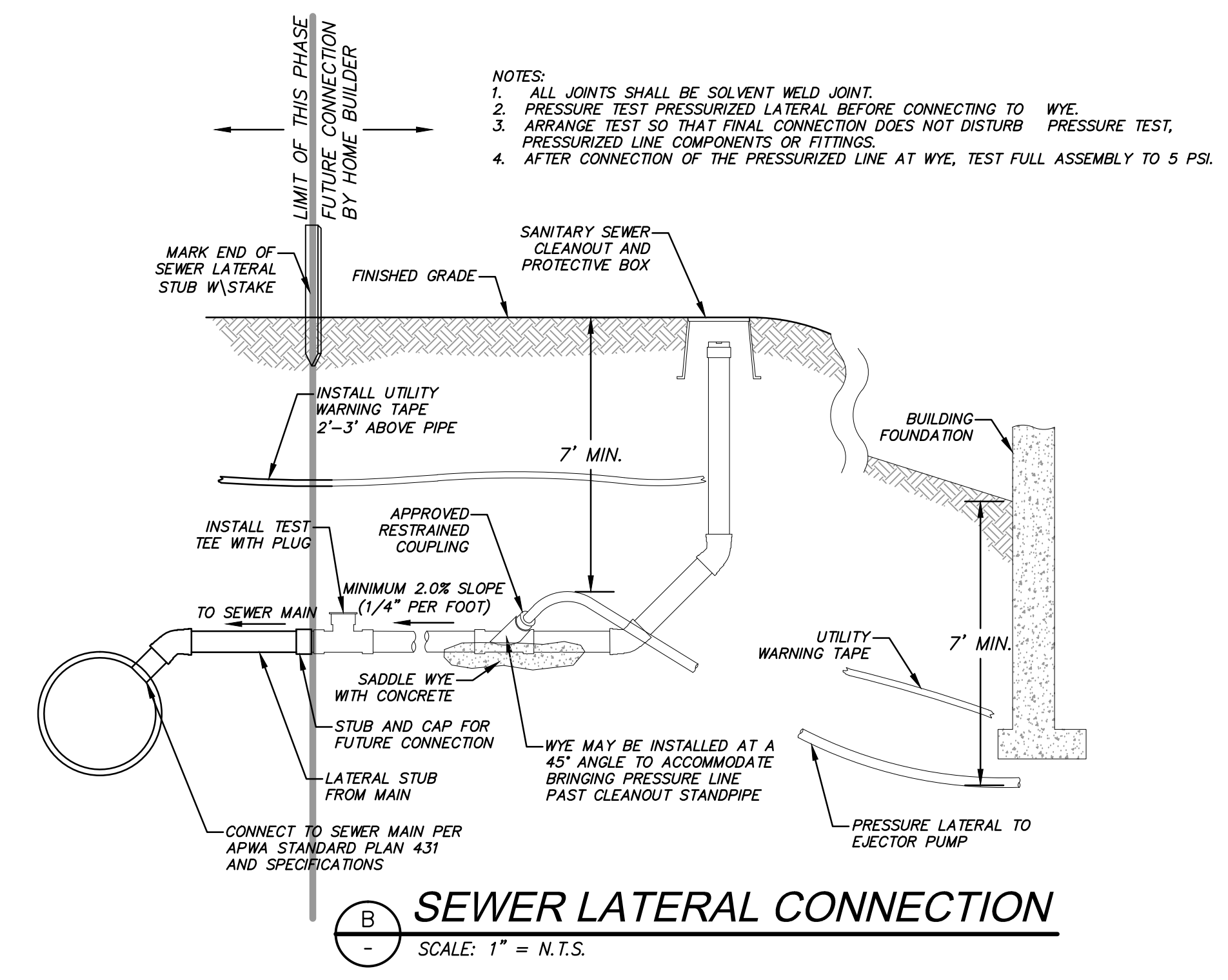
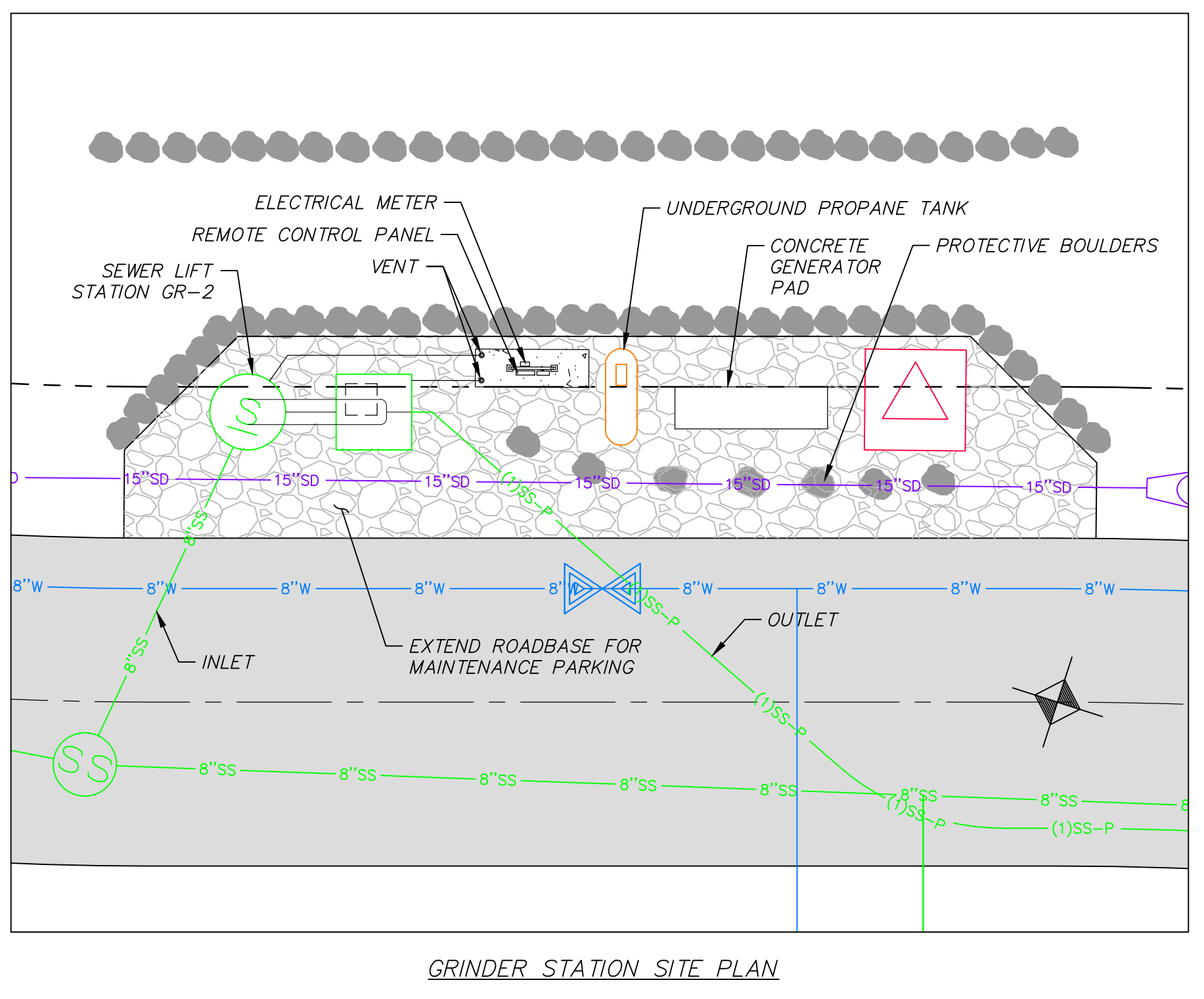
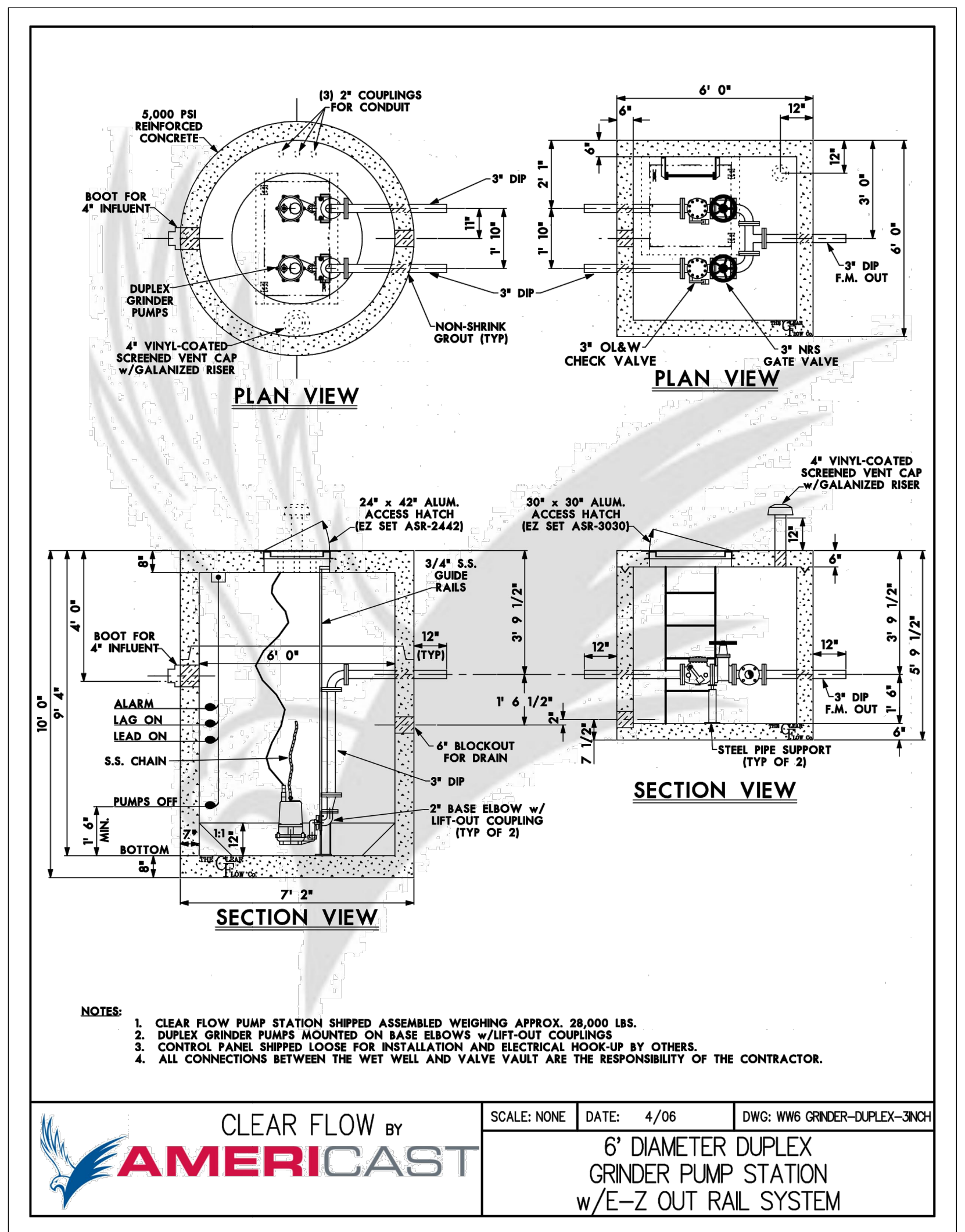
NV5
 BEYOND ENGINEERING
 6217 SOUTH STATE STREET, SUITE 200
 MURRAY, UT 84107
 801.743.0300 TEL. 801.743.0300 FAX
 WWW.NV5.COM

REGISTERED PROFESSIONAL ENGINEER
 No. 7899506
 RYAN W. CATHEY
 2/14
 STATE OF UTAH

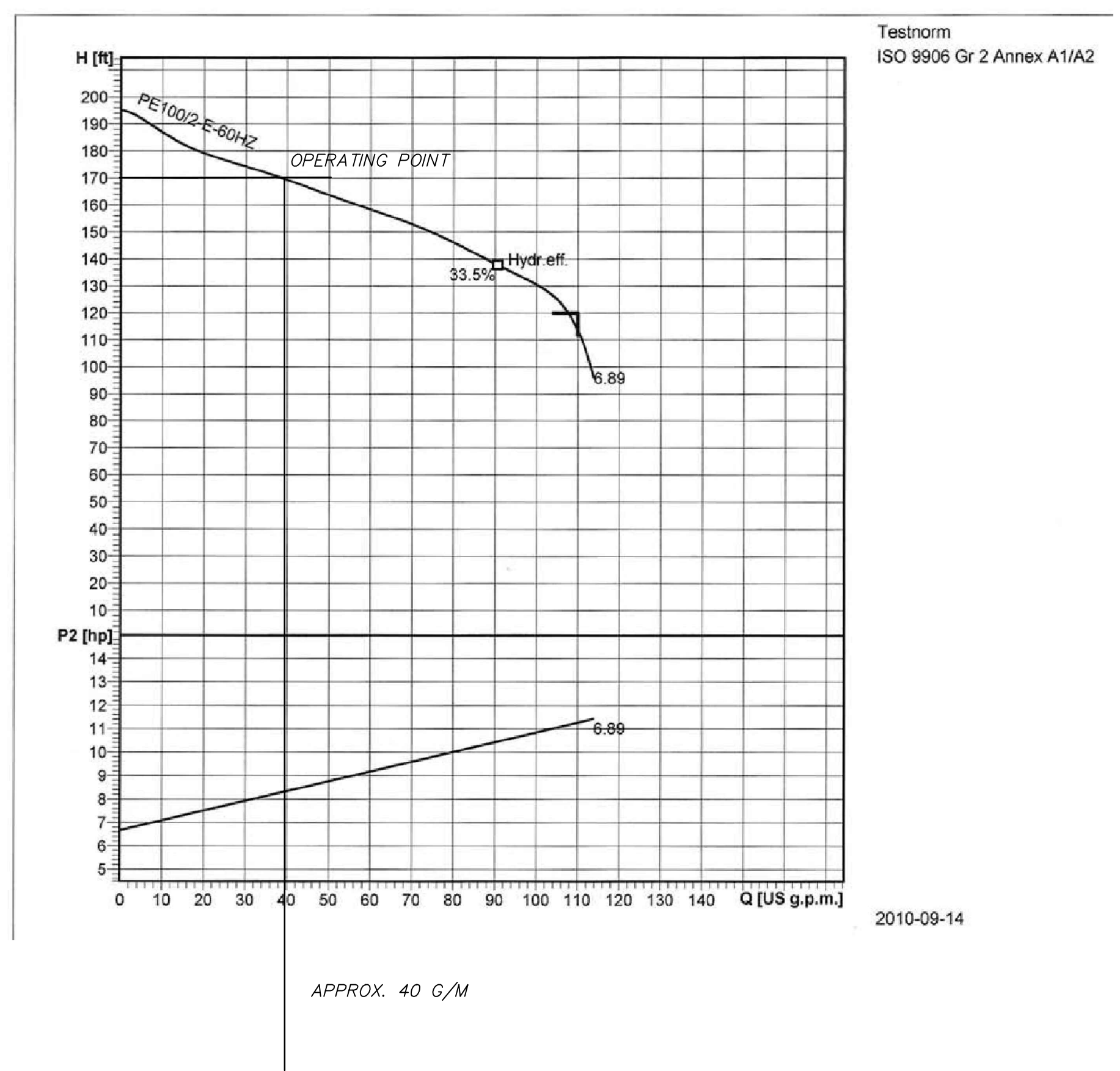
SHEET NUMBER
5.01
 SCALE
 VERTICAL: 1" = N/A
 HORIZONTAL: 1" = N/A
 JOB NUMBER
SLB079306



The engineer preparing these plans will not be responsible for, or liable for, unauthorized changes to or uses of these plans. Any such changes or uses must be approved by the preparer of these plans.



PIR PE PE100/2-E-60HZ



PUMP NAME	INVERT IN	INVERT IN SIZE	SUMP ELEV	BASIN DIA.	PUMP HEAD	PUMP HP	DISCHARGE DIA	DISCHARGE VELOCITY	MIN STORAGE VOLUME (gal)	STATION DETAIL	PUMP	PEAK FLOW (GPM)	AUTO DIALER	MAIN POWER TRANSFER SWITCH	POWER
GR-2	8688.74	8"	8681.74	72"	170	13.4	3"	2.16	1500	AMERICAST 6' DIA. DUPLEX	ABS PUMP MODEL PIR PE PE100	38	CELLULAR	MANUAL	3 PHASE/480 VOLT

SEWER GRINDER PUMP DETAILS
 SCALE: 1" = N.T.S.

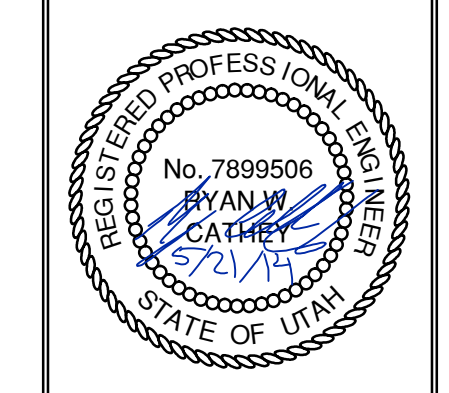
Grinder Station Calculations	
GR-2	
Head Difference	8683.71-8848.06=164.35 ft.
Pipe Length	750 ft.
Friction Loss	6.28 ft.
Flow Calc.	(23 units)(3.2 People/household)(100 gallons/day/capita) =5.11 g/m average
Peaking Factor (Ten States Method)	$Q_{peak}/Q_{ave} = 18+VP/4+VP=4.5$ $Q_{peak} = 23.0$ g/m
Pump Curve	See Pump Curve = 40 g/m



NO.	BY	DATE	REVISIONS
1	RHC	8/7/2013	ADDENDUM 1
2	RHC	9/17/2014	WEBB COUNTY REVIEW REVISIONS FOR 1.02014
3	RHC	5/27/2014	FOR 1.02014

SUMMIT EDEN PHASE 1A
SEWER DETAILS

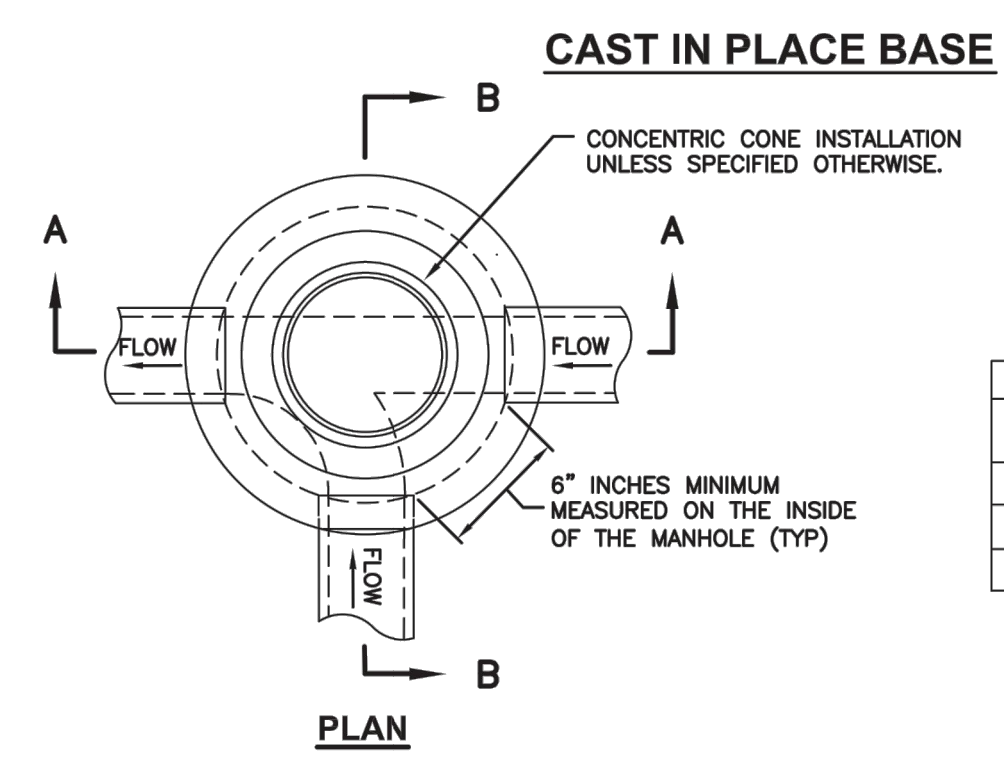
NV5
 BEYOND ENGINEERING
 5217 SOUTH STATE STREET, SUITE 200
 MURRAY, UT 84107
 WWW.NV5.COM



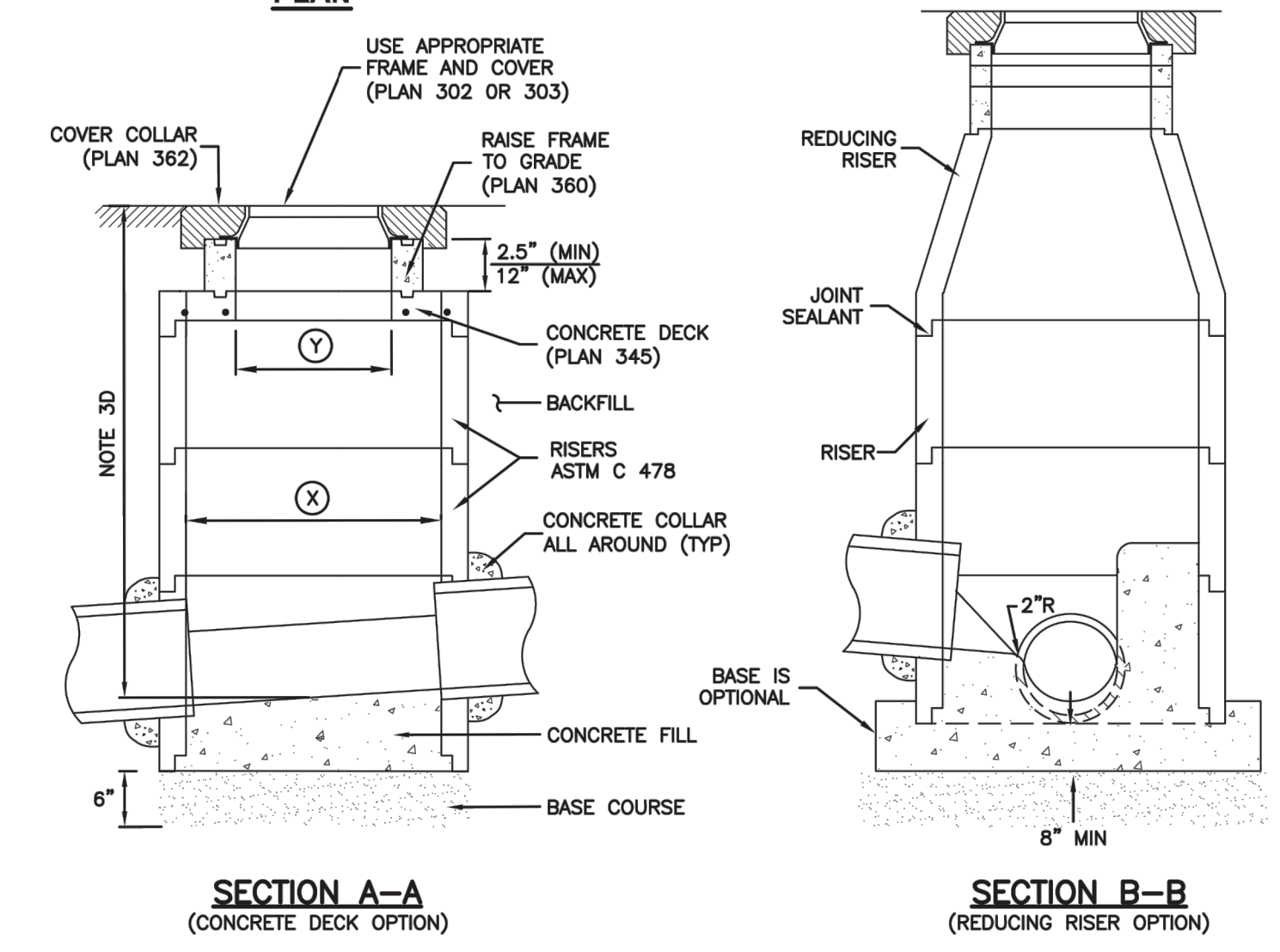
SHEET NUMBER
5.10
 SCALE
 VERTICAL: 1" = N/A
 HORIZONTAL: 1" = N/A
 JOB NUMBER
SLB079306

DATE SUBMITTED: 01/07/2014
 PREPARED FOR: SUMMIT MOUNTAIN HOLDING GROUP, LLC

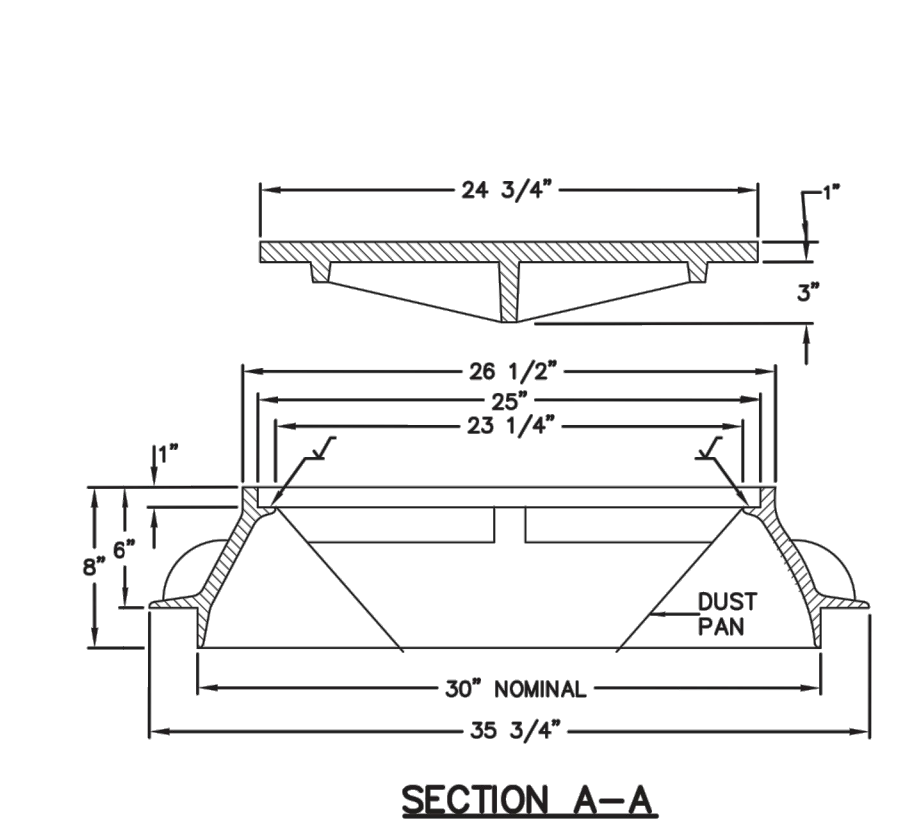
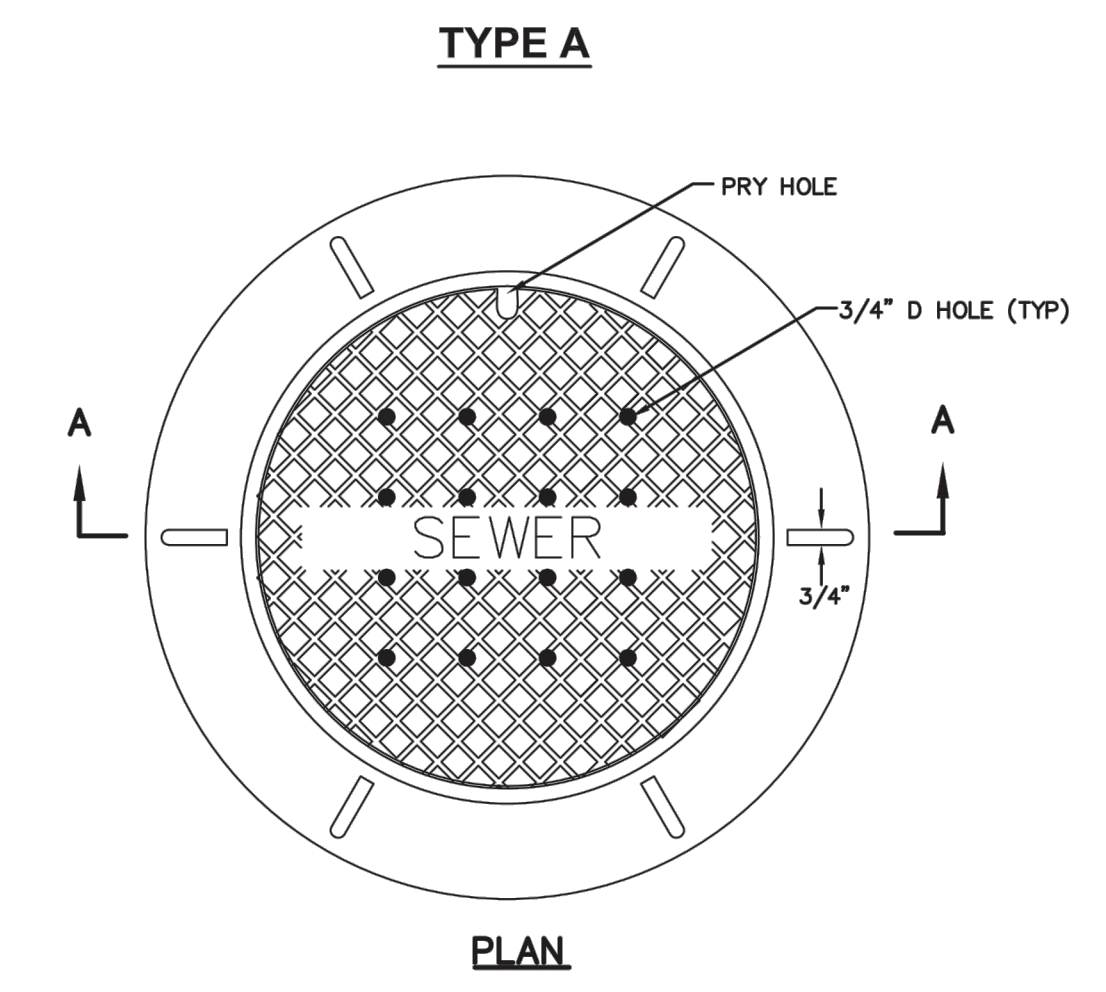
The engineer preparing these plans will not be responsible for, or liable for, unauthorized changes to or uses of these plans, and must be approved by the preparer of these plans.



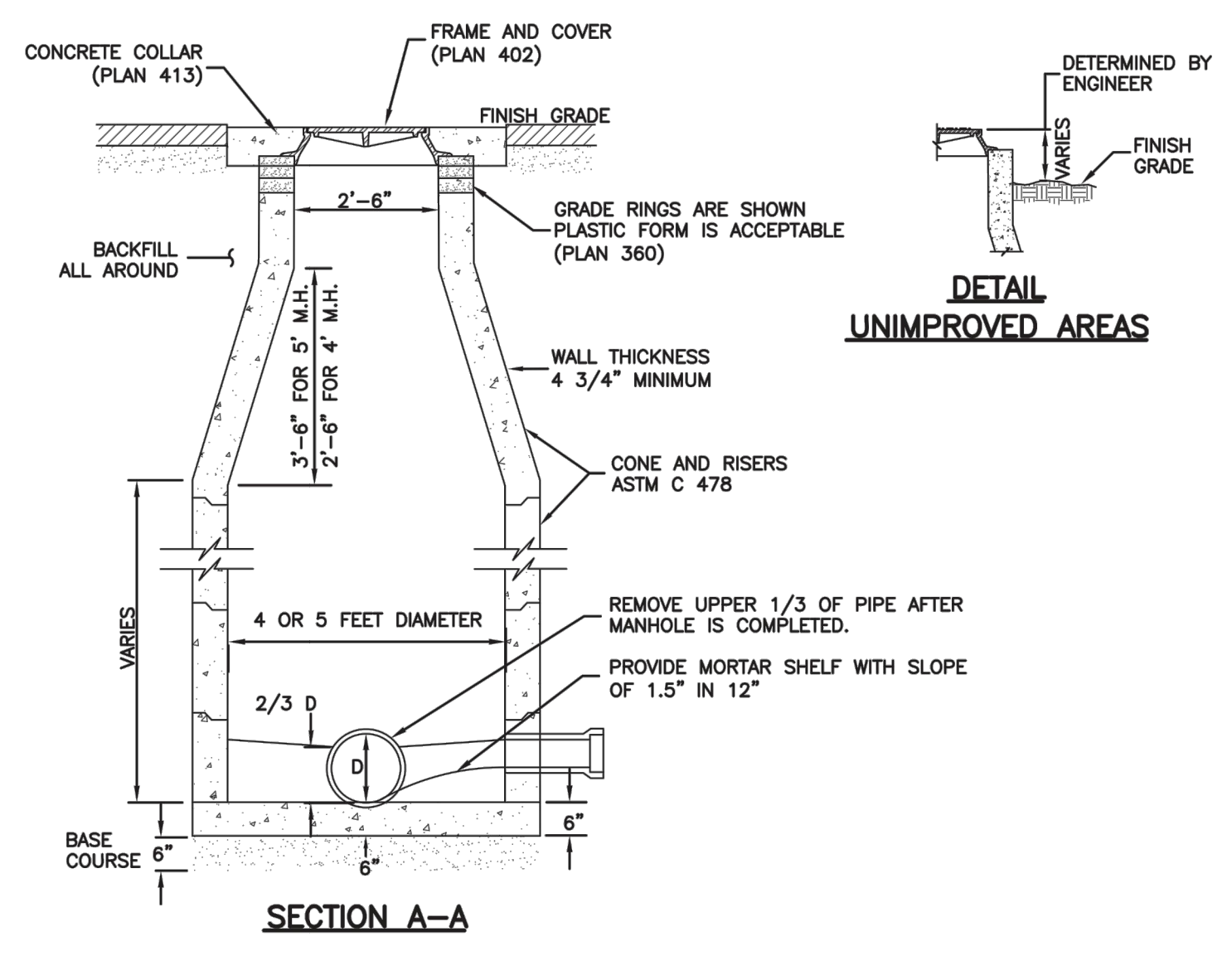
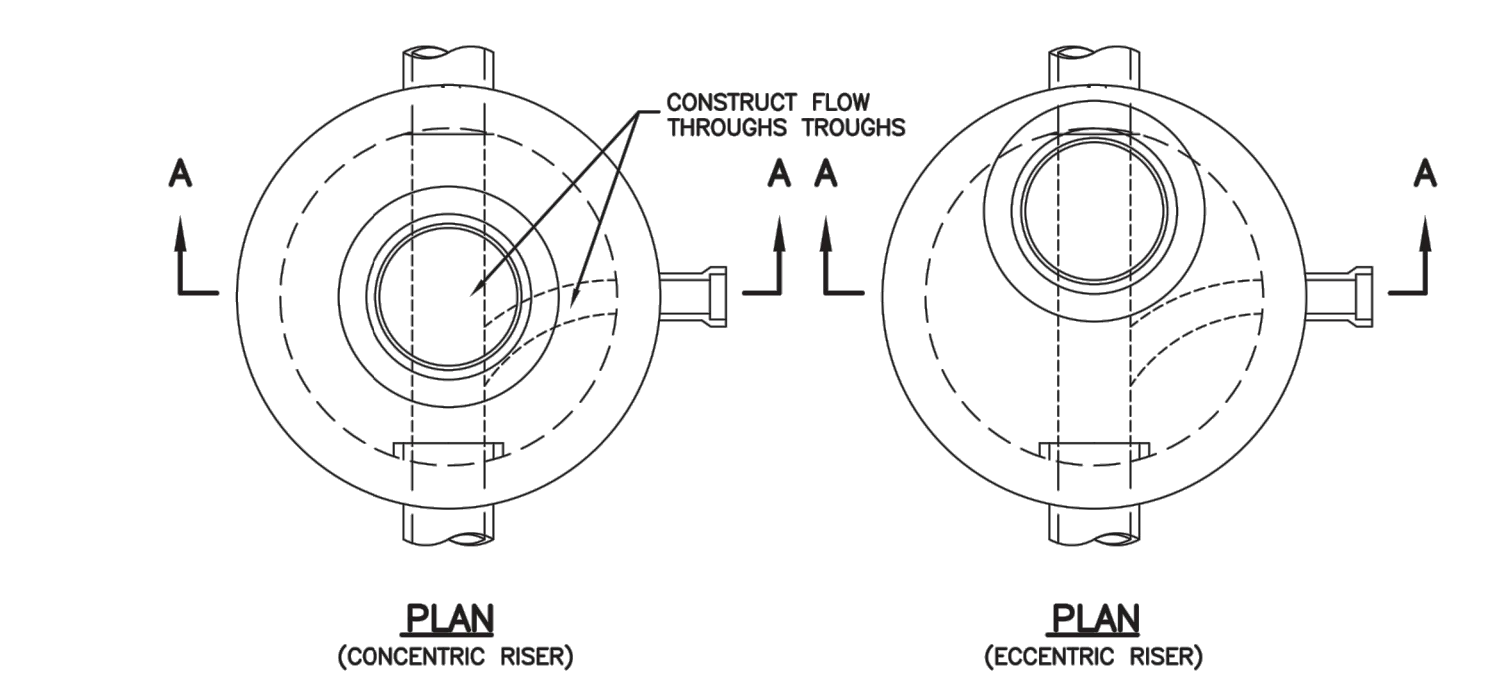
MANHOLE STYLE	DIMENSION
A	(X) = 48" (Y) = 30"
B	(X) = 60" (Y) = 44"
C	(X) = 60" (Y) = 30"



Precast manhole Plan 341
 November 2010 187 Sheet 1 of 2

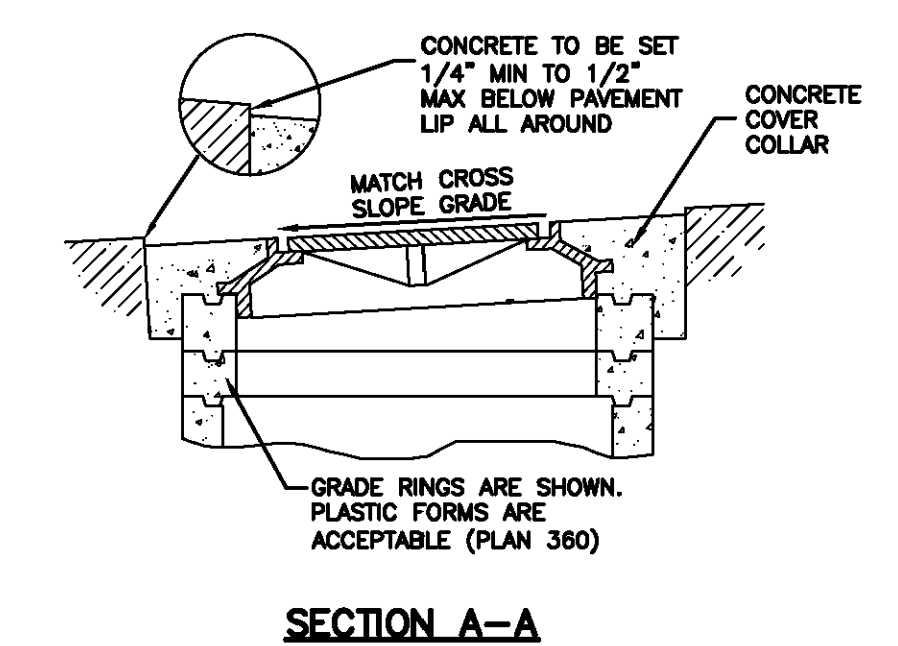
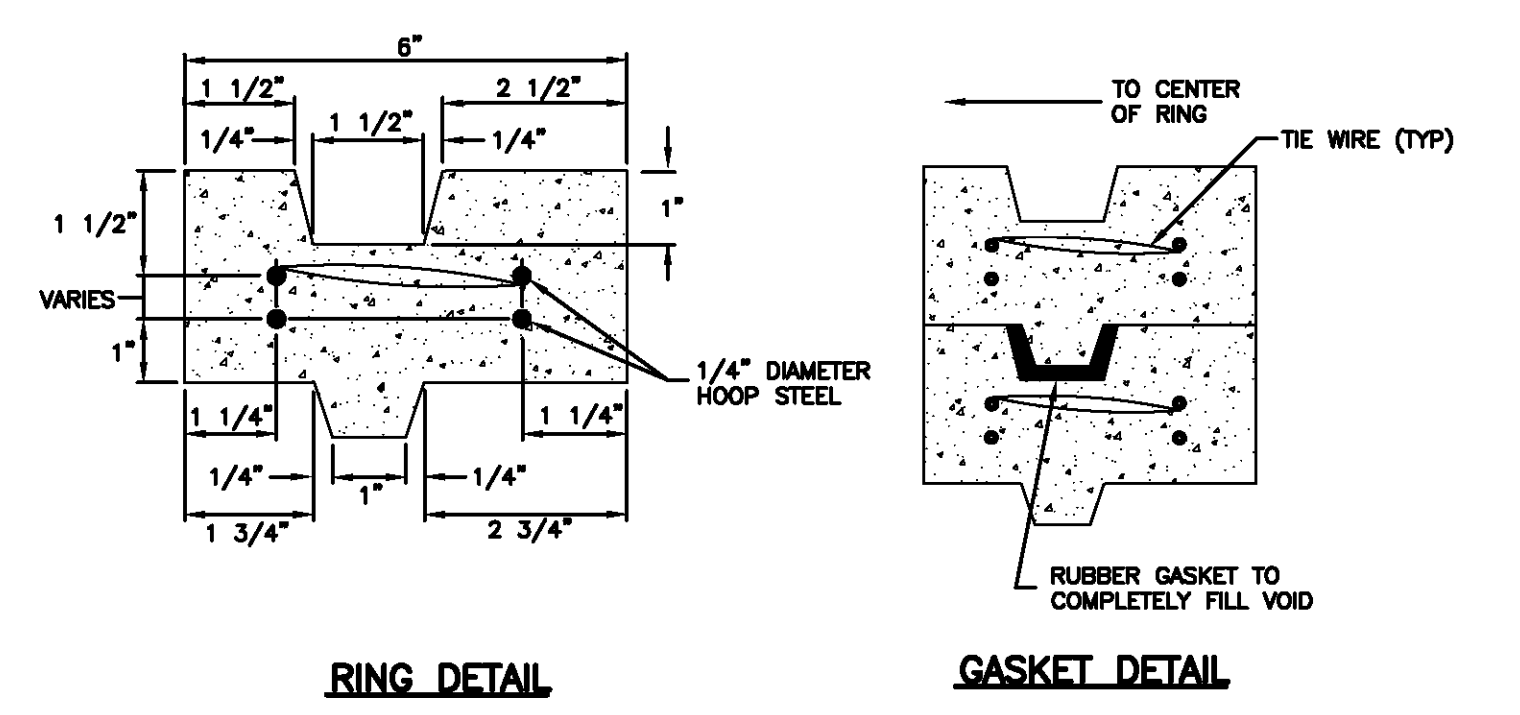
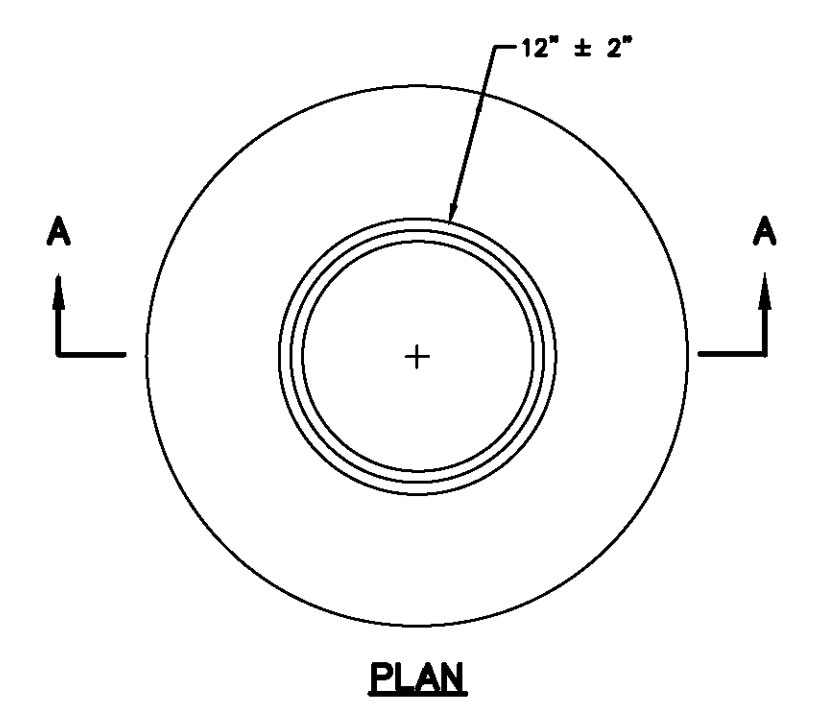
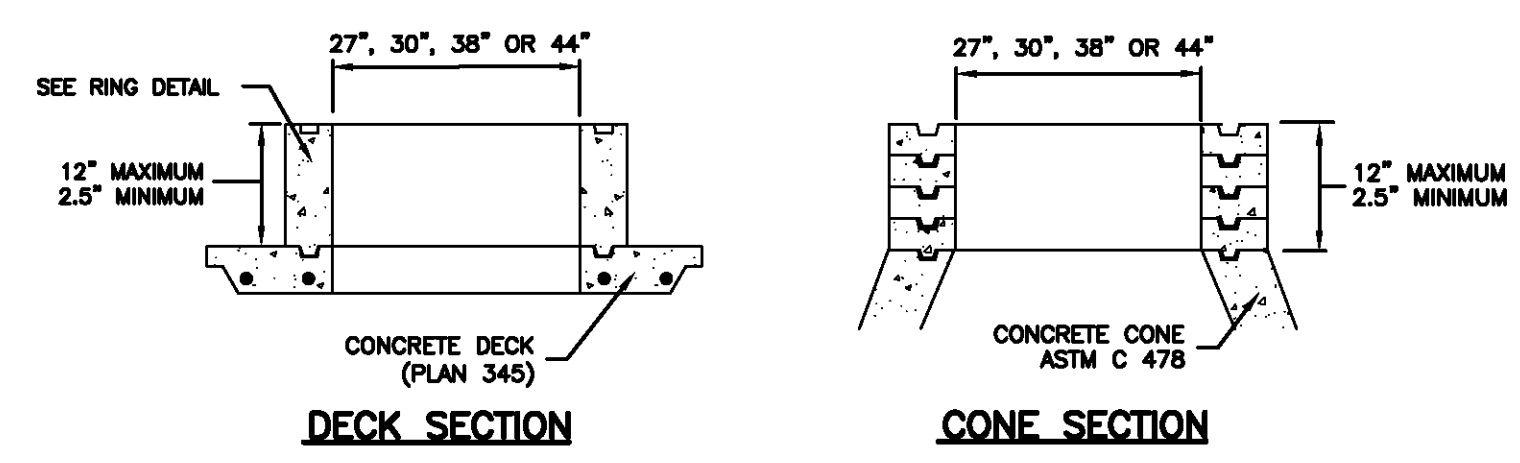


30" Frame and cover Plan 402
 April 1997 211



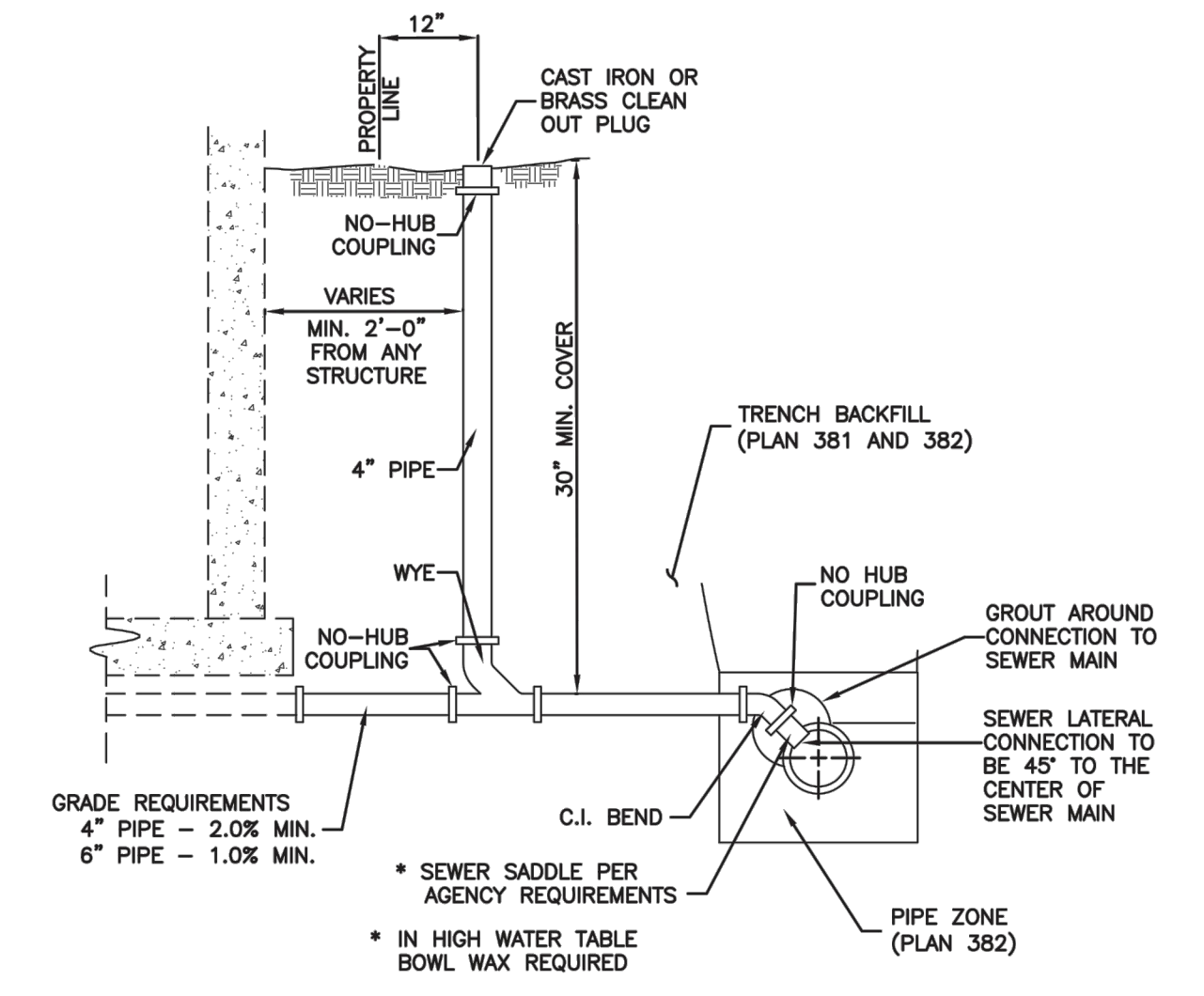
Sanitary sewer manhole Plan 411
 April 2011 213

GRADE RING



Raise frame to grade Plan 360
 May 2008 193 Sheet 1 of 2

Cover collar for sanitary sewer manhole Plan 413
 September 2001 217



Sewer lateral connection Plan 341
 January 2011 193

NO.	BY	DATE	REVISIONS
1	PMC	8/7/2013	ADD COLUMN 1
2	PMC	10/2/2014	REBE COUNTY REVIEW REVISIONS FOR 1, 2, 3, 4, 5, 6, 7, 8, 9, 10, 11, 12, 13, 14, 15, 16, 17, 18, 19, 20, 21, 22, 23, 24, 25, 26, 27, 28, 29, 30, 31, 32, 33, 34, 35, 36, 37, 38, 39, 40, 41, 42, 43, 44, 45, 46, 47, 48, 49, 50, 51, 52, 53, 54, 55, 56, 57, 58, 59, 60, 61, 62, 63, 64, 65, 66, 67, 68, 69, 70, 71, 72, 73, 74, 75, 76, 77, 78, 79, 80, 81, 82, 83, 84, 85, 86, 87, 88, 89, 90, 91, 92, 93, 94, 95, 96, 97, 98, 99, 100
3	PMC	3/27/2014	FOR 1, 2, 3, 4, 5, 6, 7, 8, 9, 10, 11, 12, 13, 14, 15, 16, 17, 18, 19, 20, 21, 22, 23, 24, 25, 26, 27, 28, 29, 30, 31, 32, 33, 34, 35, 36, 37, 38, 39, 40, 41, 42, 43, 44, 45, 46, 47, 48, 49, 50, 51, 52, 53, 54, 55, 56, 57, 58, 59, 60, 61, 62, 63, 64, 65, 66, 67, 68, 69, 70, 71, 72, 73, 74, 75, 76, 77, 78, 79, 80, 81, 82, 83, 84, 85, 86, 87, 88, 89, 90, 91, 92, 93, 94, 95, 96, 97, 98, 99, 100

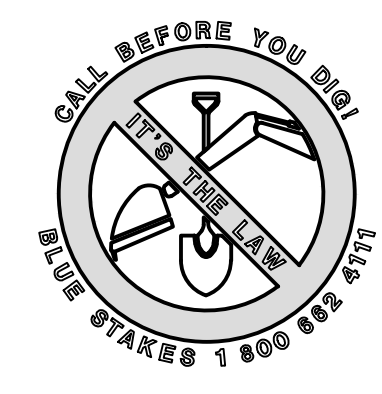
SUMMIT EDEN PHASE 1A
SEWER DETAILS

NV5
 BEYOND ENGINEERING

6217 SOUTH STATE STREET, SUITE 200
 801743.0300 TEL. 801743.0300 FAX
 MURRAY, UT 84107
 WWW.NV5.COM

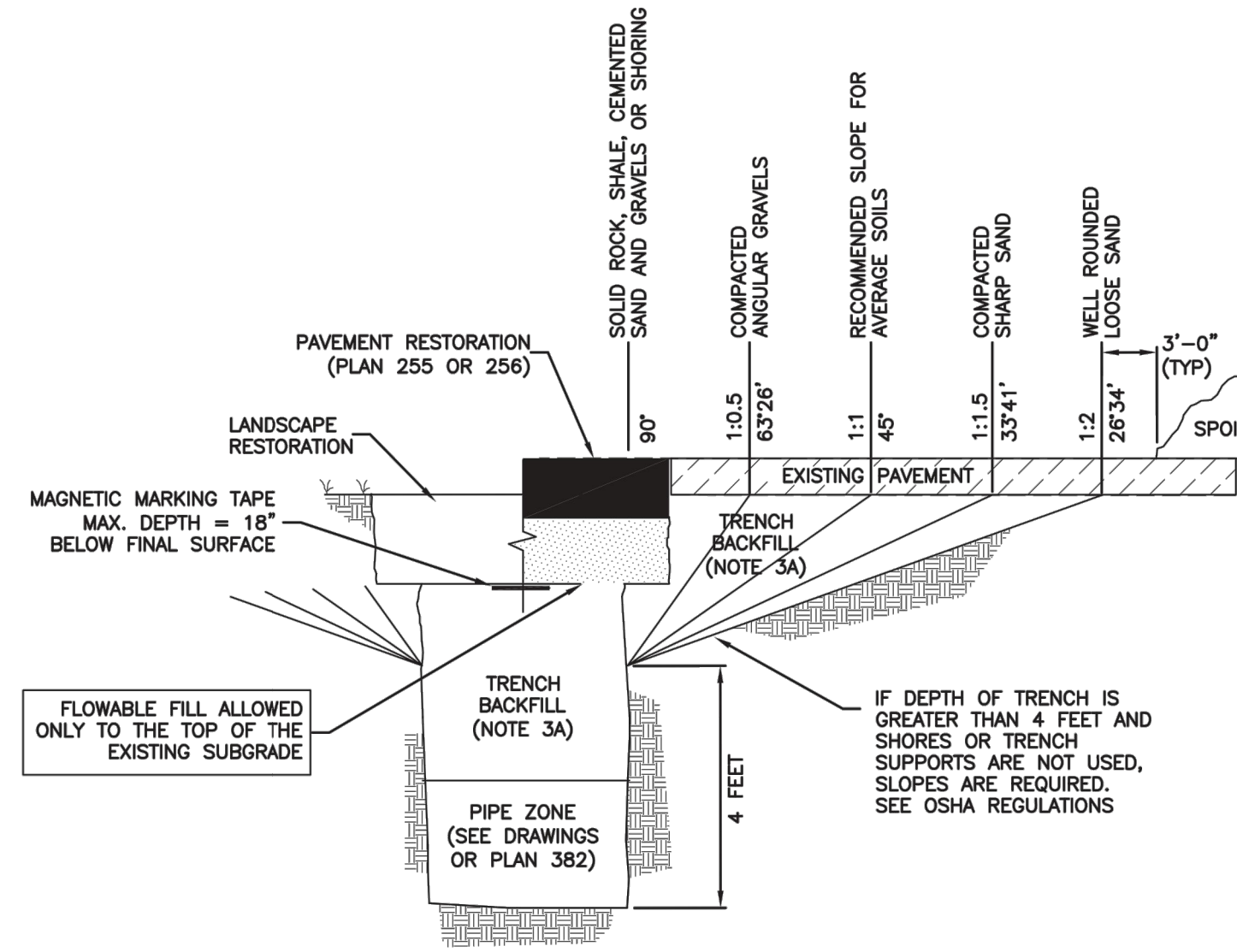
REGISTERED PROFESSIONAL ENGINEER
 No. 7899506
 RYAN W. CATHY
 5/21/14
 STATE OF UTAH

SHEET NUMBER	5.11
SCALE	VERTICAL: 1" = N/A HORIZONTAL: 1" = N/A
JOB NUMBER	SLB079306



Trench backfill

1. **GENERAL**
 - A. The drawing applies to backfilling the trench above the pipe zone.
2. **PRODUCTS**
 - A. Backfill: Common fill, APWA Section 31 05 13. Maximum particle size 3-inches.
 - B. Flowable Fill: Target is 60 psi in 28 days with 90 psi maximum in 28 days, APWA Section 31 05 15. It must flow easily requiring no vibration for consolidation.
3. **EXECUTION**
 - A. Trench Backfill:
 - 1) DO NOT USE sewer rock, pea gravel, or recycled RAP aggregate as trench backfill.
 - 2) Maximum lift thickness is 8-inches before compaction. Compaction is 95 percent or greater relative to a standard proctor density, APWA Section 31 23 26.
 - 3) Water jetting is NOT allowed.
 - 4) Submission of quality control compaction test result data developed for haunching areas may be requested by ENGINEER at any time. Provide results of tests immediately upon request.
 - B. Flowable Fill: When required, place controlled low strength material in the trench, APWA Section 31 05 15. Cure the fill before placing surface restorations.
 - C. Surface Restoration:
 - 1) Landscaped Surface: Rake to match existing grade. Replace vegetation to match pre-construction conditions. Follow APWA Section 32 92 00 (turf or grass) or APWA Section 32 93 13 (ground cover) requirements.
 - 2) Paved Surface: Do not install asphalt or concrete surfacing until trench compaction is acceptable to ENGINEER. Follow APWA Section 33 05 25 (asphalt surfacing), or APWA Section 33 05 25 (concrete surfacing).



Trench backfill

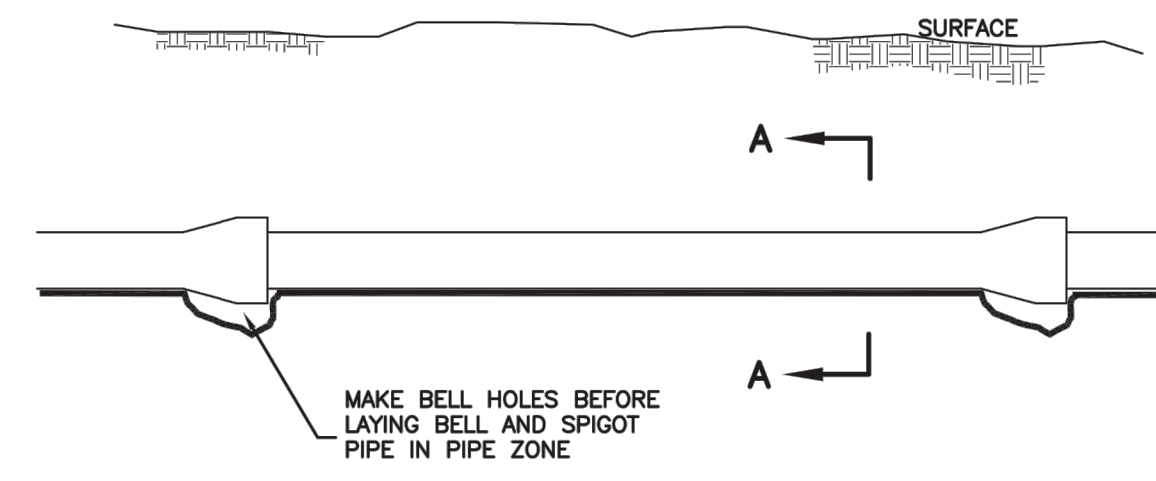
Plan
381

202

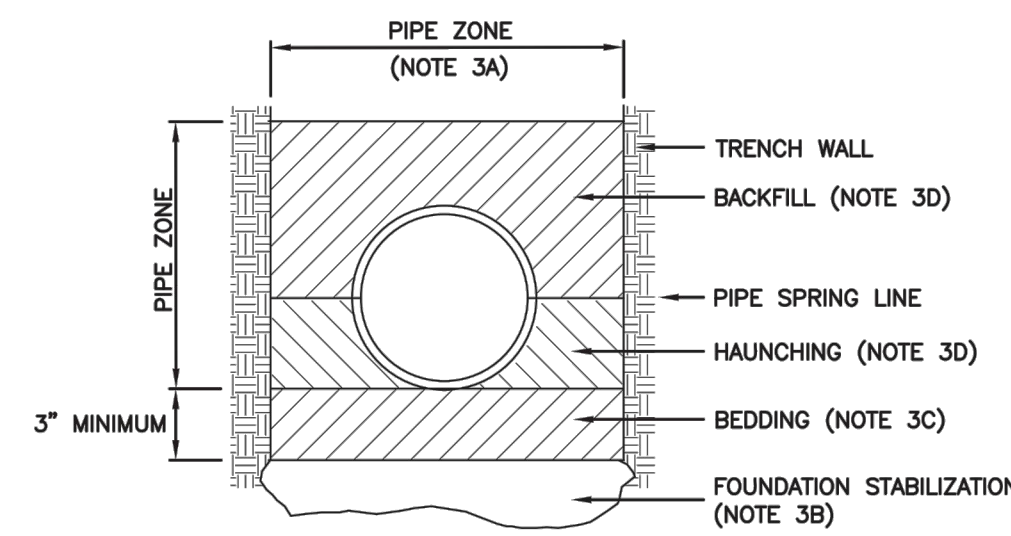
January 2011

Pipe zone backfill

1. **GENERAL**
 - A. Install the pipe in the center of the trench or no closer than 6-inches from the wall of the pipe to the wall of the trench.
2. **PRODUCTS**
 - A. Base Course: Untreated base course, APWA Section 32 11 23. Do not use gravel as a base course without ENGINEER's permission.
 - B. Backfill: Common fill, APWA Section 31 05 13. Maximum particle size 2-inches.
 - C. Concrete: APWA Section 03 30 04.
 - D. Flowable Fill: Target is 60 psi in 28 days with 90 psi maximum in 28 days, APWA Section 31 05 15. It must flow easily requiring no vibration for consolidation.
 - E. Stabilization-Separation Geotextile: Moderate or high at CONTRACTOR's choice, APWA Section 31 05 19.
3. **EXECUTION**
 - A. Excavate the Pipe Zone: Width is measured at the pipe spring line and includes any necessary sheathing. Provide width recommended by pipe manufacturer. Follow manufacturer's recommendations when using trench boxes.
 - B. Foundation Stabilization: Get ENGINEER's permission before installing common fill. Vibrate to stabilize. Installation of stabilization-separation geotextile will be required to separate backfill material and native subgrade materials if common fill cannot provide a working surface or prevent soils migration.
 - C. Base Course:
 - 1) Furnish untreated base course material unless specified otherwise by pipe manufacturer.
 - 2) Maximum lift thickness is 8-inches before compaction. Compaction is 95 percent or greater relative to a modified proctor density, APWA Section 31 23 26.
 - 3) When using concrete, provide at least Class 2,000 per APWA Section 03 30 04.
 - D. Pipe Zone: DO NOT USE sewer rock, pea gravel, or recycled RAP aggregate in the pipe zone. Water jetting is NOT allowed.
 - 1) Maximum lift thickness is 8-inches before compaction. Compaction is 95 percent or greater relative to a modified proctor density, APWA Section 31 23 26 unless pipe manufacturer requires more stringent installation.
 - 2) Submission of quality control compaction test result data developed for the haunch zone may be requested by ENGINEER at any time. CONTRACTOR is to provide results of tests immediately upon request.
 - E. Flowable Fill (when required and if allowed by pipe manufacturer):
 - 1) Place the controlled low strength material. APWA Section 31 05 15.
 - 2) Prevent pipe flotation by installing in lifts and providing pipe restraints as required by pipe manufacturer.
 - 3) Reset pipe to line and grade if pipe "floats" out of position.



ELEVATION VIEW



SECTION A-A

INSTALLATION
 CONCRETE PIPE: FOLLOW ASTM C 1479
 *STANDARD PRACTICE FOR INSTALLATION OF PRECAST CONCRETE SEWER, STORM DRAIN, AND CULVERT PIPE USING STANDARD INSTALLATIONS.
 PVC AND HDPE PIPE: FOLLOW ASTM D 2321
 *STANDARD PRACTICE FOR UNDERGROUND INSTALLATION OF THERMOPLASTIC PIPE FOR SEWERS AND OTHER GRAVITY-FLOW APPLICATIONS.
 CORRUGATED METAL PIPE: FOLLOW ASTM A 798
 *STANDARD PRACTICE FOR INSTALLING FACTORY-WADE CORRUGATED STEEL PIPE FOR SEWERS AND OTHER APPLICATIONS.
 VITRIFIED CLAY PIPE: FOLLOW ASTM C 12.
 *STANDARD RECOMMENDED PRACTICE FOR INSTALLING VITRIFIED CLAY PIPE LINES.

Pipe zone backfill

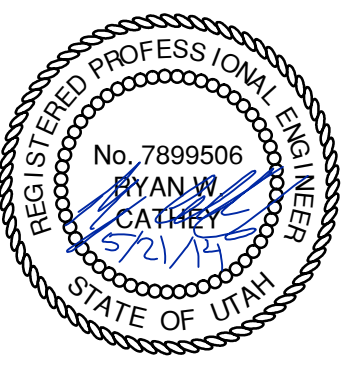
Plan
382

204

January 2011

SUMMIT EDEN PHASE 1A
MISCELLANEOUS DETAILS

NIV5
 BEYOND ENGINEERING
 5217 SOUTH STATE STREET, SUITE 200
 801743.0000 TEL 801743.0000 FAX
 MURRAY, UT 84107
 WWW.NIV5.COM



SHEET NUMBER
5.12

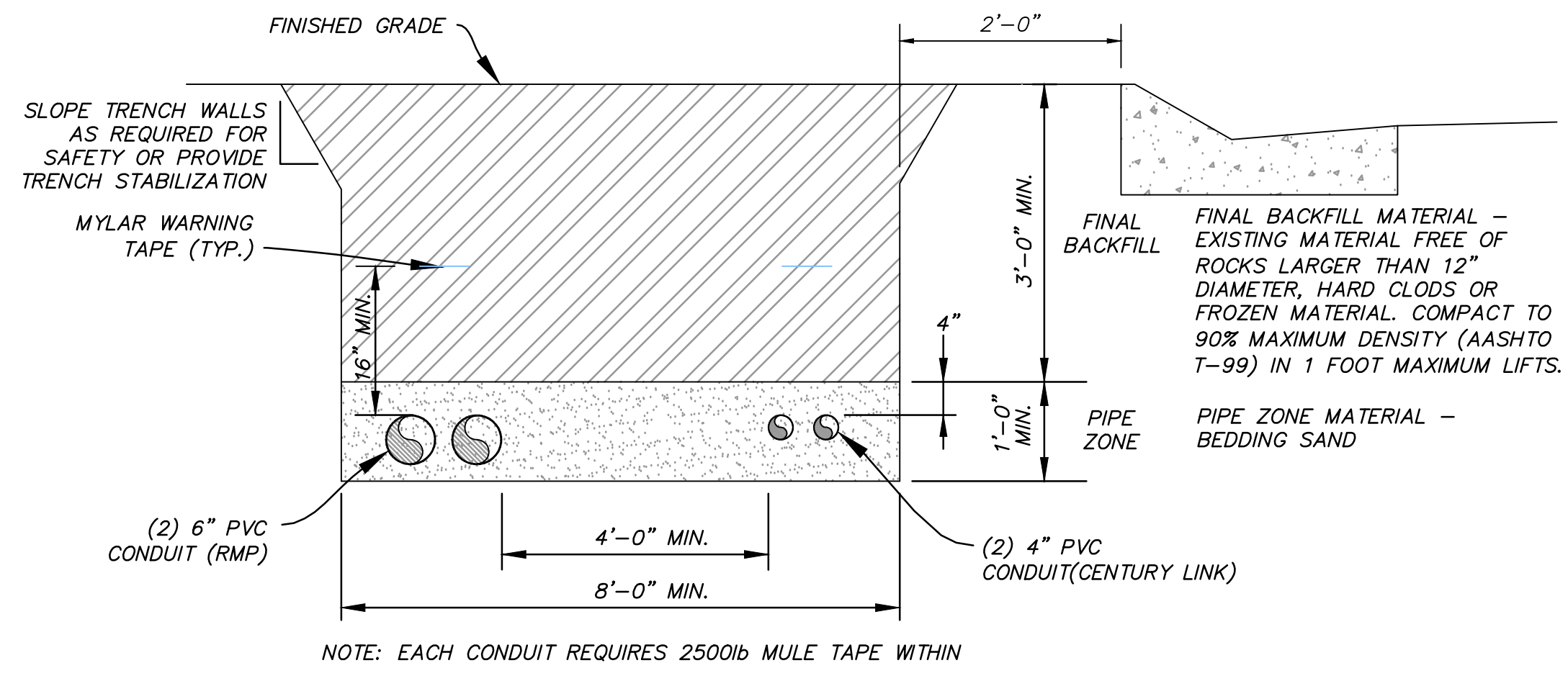
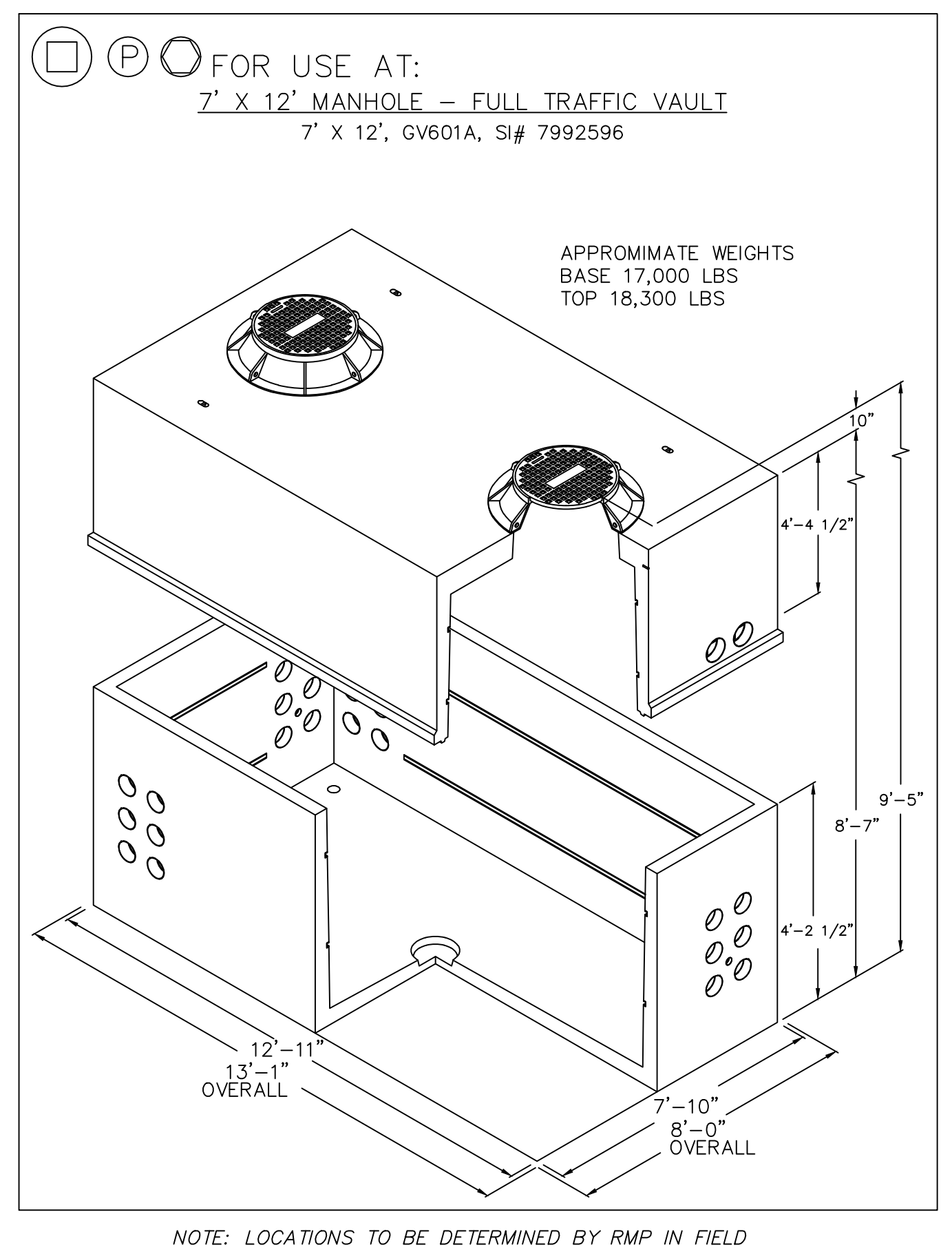
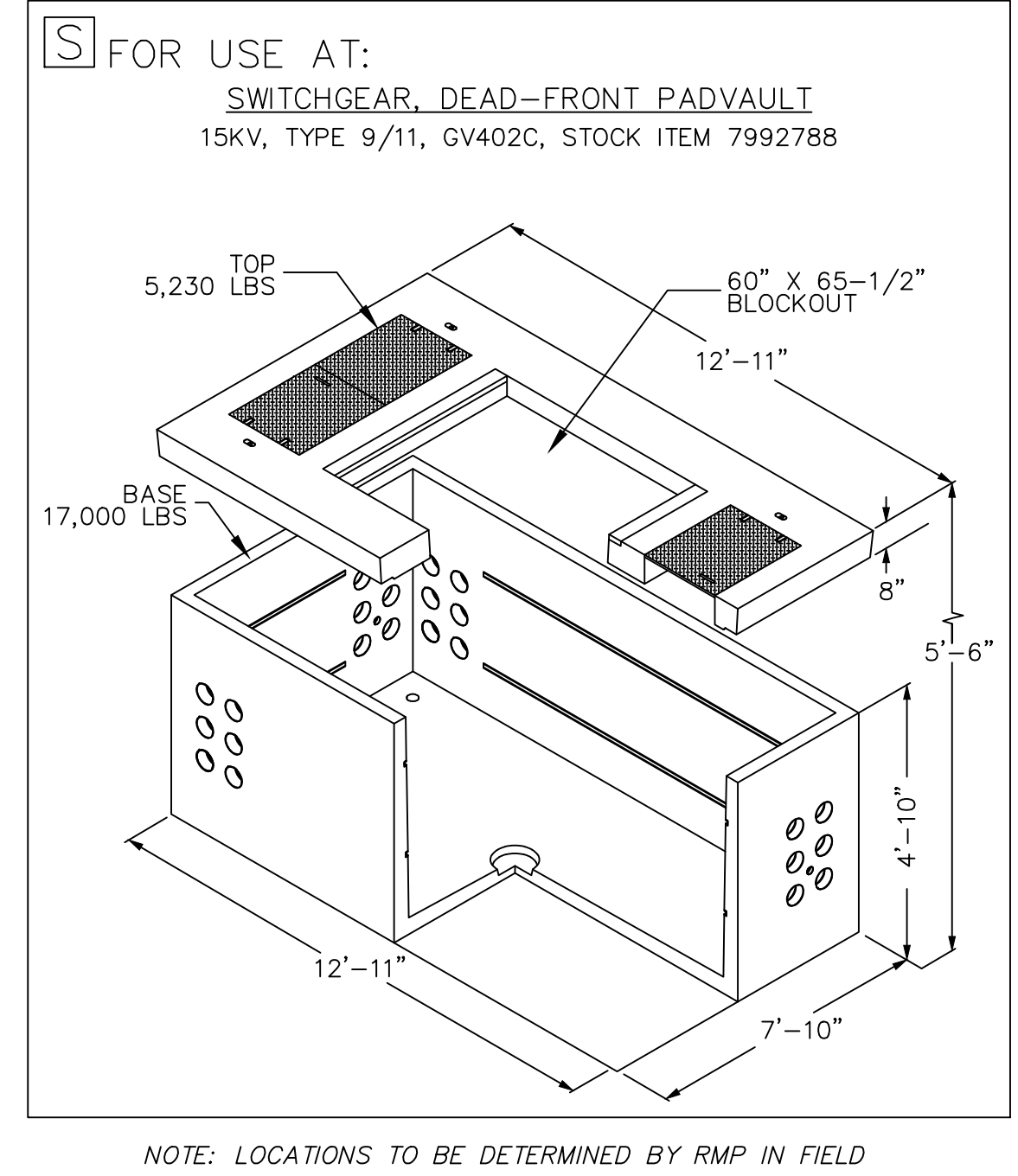
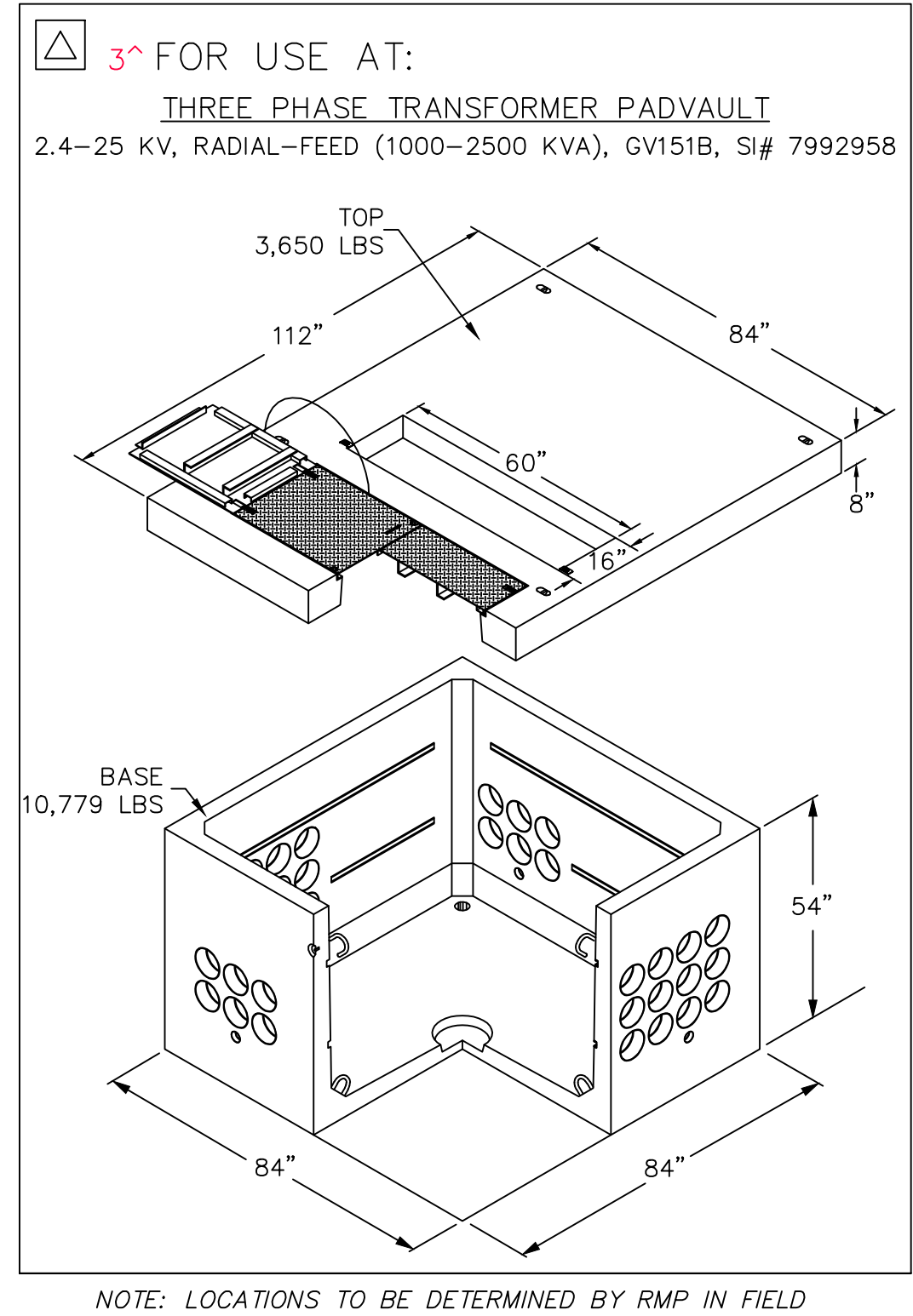
SCALE
 VERTICAL: 1" = N/A
 HORIZONTAL: 1" = N/A

JOB NUMBER
SLB079306

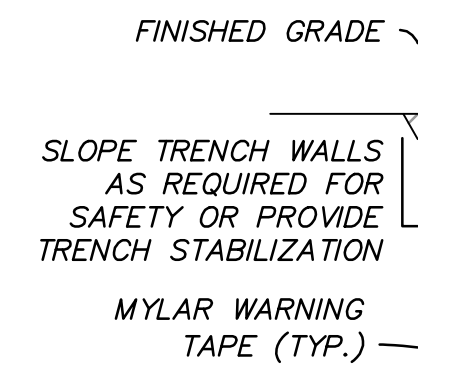
PREPARED FOR: SUMMIT MOUNTAIN HOLDING GROUP, LLC DATE SUBMITTED: 01/07/2014

CAUTION
 The engineer preparing these plans will not be responsible for, or liable for, unauthorized changes to or uses of these plans, and must be approved by the preparer of these plans.





POWER CONDUIT TRENCH

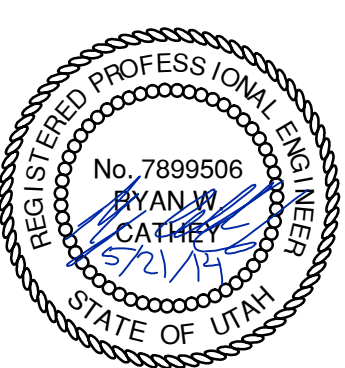


NC
 W
 A
 VAR

NO.	BY	DATE	REVISIONS
1	RMC	8/7/2013	ADD COLUMN 1
2	RMC	10/2/2014	REMOVE COLUMN REVIEW REVISIONS FOR 1, 2, 3, 4, 5, 6, 7, 8, 9, 10, 11, 12, 13, 14, 15, 16, 17, 18, 19, 20, 21, 22, 23, 24, 25, 26, 27, 28, 29, 30, 31, 32, 33, 34, 35, 36, 37, 38, 39, 40, 41, 42, 43, 44, 45, 46, 47, 48, 49, 50, 51, 52, 53, 54, 55, 56, 57, 58, 59, 60, 61, 62, 63, 64, 65, 66, 67, 68, 69, 70, 71, 72, 73, 74, 75, 76, 77, 78, 79, 80, 81, 82, 83, 84, 85, 86, 87, 88, 89, 90, 91, 92, 93, 94, 95, 96, 97, 98, 99, 100, 101, 102, 103, 104, 105, 106, 107, 108, 109, 110, 111, 112, 113, 114, 115, 116, 117, 118, 119, 120, 121, 122, 123, 124, 125, 126, 127, 128, 129, 130, 131, 132, 133, 134, 135, 136, 137, 138, 139, 140, 141, 142, 143, 144, 145, 146, 147, 148, 149, 150, 151, 152, 153, 154, 155, 156, 157, 158, 159, 160, 161, 162, 163, 164, 165, 166, 167, 168, 169, 170, 171, 172, 173, 174, 175, 176, 177, 178, 179, 180, 181, 182, 183, 184, 185, 186, 187, 188, 189, 190, 191, 192, 193, 194, 195, 196, 197, 198, 199, 200, 201, 202, 203, 204, 205, 206, 207, 208, 209, 210, 211, 212, 213, 214, 215, 216, 217, 218, 219, 220, 221, 222, 223, 224, 225, 226, 227, 228, 229, 230, 231, 232, 233, 234, 235, 236, 237, 238, 239, 240, 241, 242, 243, 244, 245, 246, 247, 248, 249, 250, 251, 252, 253, 254, 255, 256, 257, 258, 259, 260, 261, 262, 263, 264, 265, 266, 267, 268, 269, 270, 271, 272, 273, 274, 275, 276, 277, 278, 279, 280, 281, 282, 283, 284, 285, 286, 287, 288, 289, 290, 291, 292, 293, 294, 295, 296, 297, 298, 299, 300, 301, 302, 303, 304, 305, 306, 307, 308, 309, 310, 311, 312, 313, 314, 315, 316, 317, 318, 319, 320, 321, 322, 323, 324, 325, 326, 327, 328, 329, 330, 331, 332, 333, 334, 335, 336, 337, 338, 339, 340, 341, 342, 343, 344, 345, 346, 347, 348, 349, 350, 351, 352, 353, 354, 355, 356, 357, 358, 359, 360, 361, 362, 363, 364, 365, 366, 367, 368, 369, 370, 371, 372, 373, 374, 375, 376, 377, 378, 379, 380, 381, 382, 383, 384, 385, 386, 387, 388, 389, 390, 391, 392, 393, 394, 395, 396, 397, 398, 399, 400, 401, 402, 403, 404, 405, 406, 407, 408, 409, 410, 411, 412, 413, 414, 415, 416, 417, 418, 419, 420, 421, 422, 423, 424, 425, 426, 427, 428, 429, 430, 431, 432, 433, 434, 435, 436, 437, 438, 439, 440, 441, 442, 443, 444, 445, 446, 447, 448, 449, 450, 451, 452, 453, 454, 455, 456, 457, 458, 459, 460, 461, 462, 463, 464, 465, 466, 467, 468, 469, 470, 471, 472, 473, 474, 475, 476, 477, 478, 479, 480, 481, 482, 483, 484, 485, 486, 487, 488, 489, 490, 491, 492, 493, 494, 495, 496, 497, 498, 499, 500, 501, 502, 503, 504, 505, 506, 507, 508, 509, 510, 511, 512, 513, 514, 515, 516, 517, 518, 519, 520, 521, 522, 523, 524, 525, 526, 527, 528, 529, 530, 531, 532, 533, 534, 535, 536, 537, 538, 539, 540, 541, 542, 543, 544, 545, 546, 547, 548, 549, 550, 551, 552, 553, 554, 555, 556, 557, 558, 559, 560, 561, 562, 563, 564, 565, 566, 567, 568, 569, 570, 571, 572, 573, 574, 575, 576, 577, 578, 579, 580, 581, 582, 583, 584, 585, 586, 587, 588, 589, 590, 591, 592, 593, 594, 595, 596, 597, 598, 599, 600, 601, 602, 603, 604, 605, 606, 607, 608, 609, 610, 611, 612, 613, 614, 615, 616, 617, 618, 619, 620, 621, 622, 623, 624, 625, 626, 627, 628, 629, 630, 631, 632, 633, 634, 635, 636, 637, 638, 639, 640, 641, 642, 643, 644, 645, 646, 647, 648, 649, 650, 651, 652, 653, 654, 655, 656, 657, 658, 659, 660, 661, 662, 663, 664, 665, 666, 667, 668, 669, 670, 671, 672, 673, 674, 675, 676, 677, 678, 679, 680, 681, 682, 683, 684, 685, 686, 687, 688, 689, 690, 691, 692, 693, 694, 695, 696, 697, 698, 699, 700, 701, 702, 703, 704, 705, 706, 707, 708, 709, 710, 711, 712, 713, 714, 715, 716, 717, 718, 719, 720, 721, 722, 723, 724, 725, 726, 727, 728, 729, 730, 731, 732, 733, 734, 735, 736, 737, 738, 739, 740, 741, 742, 743, 744, 745, 746, 747, 748, 749, 750, 751, 752, 753, 754, 755, 756, 757, 758, 759, 760, 761, 762, 763, 764, 765, 766, 767, 768, 769, 770, 771, 772, 773, 774, 775, 776, 777, 778, 779, 780, 781, 782, 783, 784, 785, 786, 787, 788, 789, 790, 791, 792, 793, 794, 795, 796, 797, 798, 799, 800, 801, 802, 803, 804, 805, 806, 807, 808, 809, 810, 811, 812, 813, 814, 815, 816, 817, 818, 819, 820, 821, 822, 823, 824, 825, 826, 827, 828, 829, 830, 831, 832, 833, 834, 835, 836, 837, 838, 839, 840, 841, 842, 843, 844, 845, 846, 847, 848, 849, 850, 851, 852, 853, 854, 855, 856, 857, 858, 859, 860, 861, 862, 863, 864, 865, 866, 867, 868, 869, 870, 871, 872, 873, 874, 875, 876, 877, 878, 879, 880, 881, 882, 883, 884, 885, 886, 887, 888, 889, 890, 891, 892, 893, 894, 895, 896, 897, 898, 899, 900, 901, 902, 903, 904, 905, 906, 907, 908, 909, 910, 911, 912, 913, 914, 915, 916, 917, 918, 919, 920, 921, 922, 923, 924, 925, 926, 927, 928, 929, 930, 931, 932, 933, 934, 935, 936, 937, 938, 939, 940, 941, 942, 943, 944, 945, 946, 947, 948, 949, 950, 951, 952, 953, 954, 955, 956, 957, 958, 959, 960, 961, 962, 963, 964, 965, 966, 967, 968, 969, 970, 971, 972, 973, 974, 975, 976, 977, 978, 979, 980, 981, 982, 983, 984, 985, 986, 987, 988, 989, 990, 991, 992, 993, 994, 995, 996, 997, 998, 999, 1000

SUMMIT EDEN PHASE 1A
ELECTRICAL DETAILS

PREPARED FOR: SUMMIT MOUNTAIN HOLDING GROUP, LLC DATE SUBMITTED: 01/07/2014

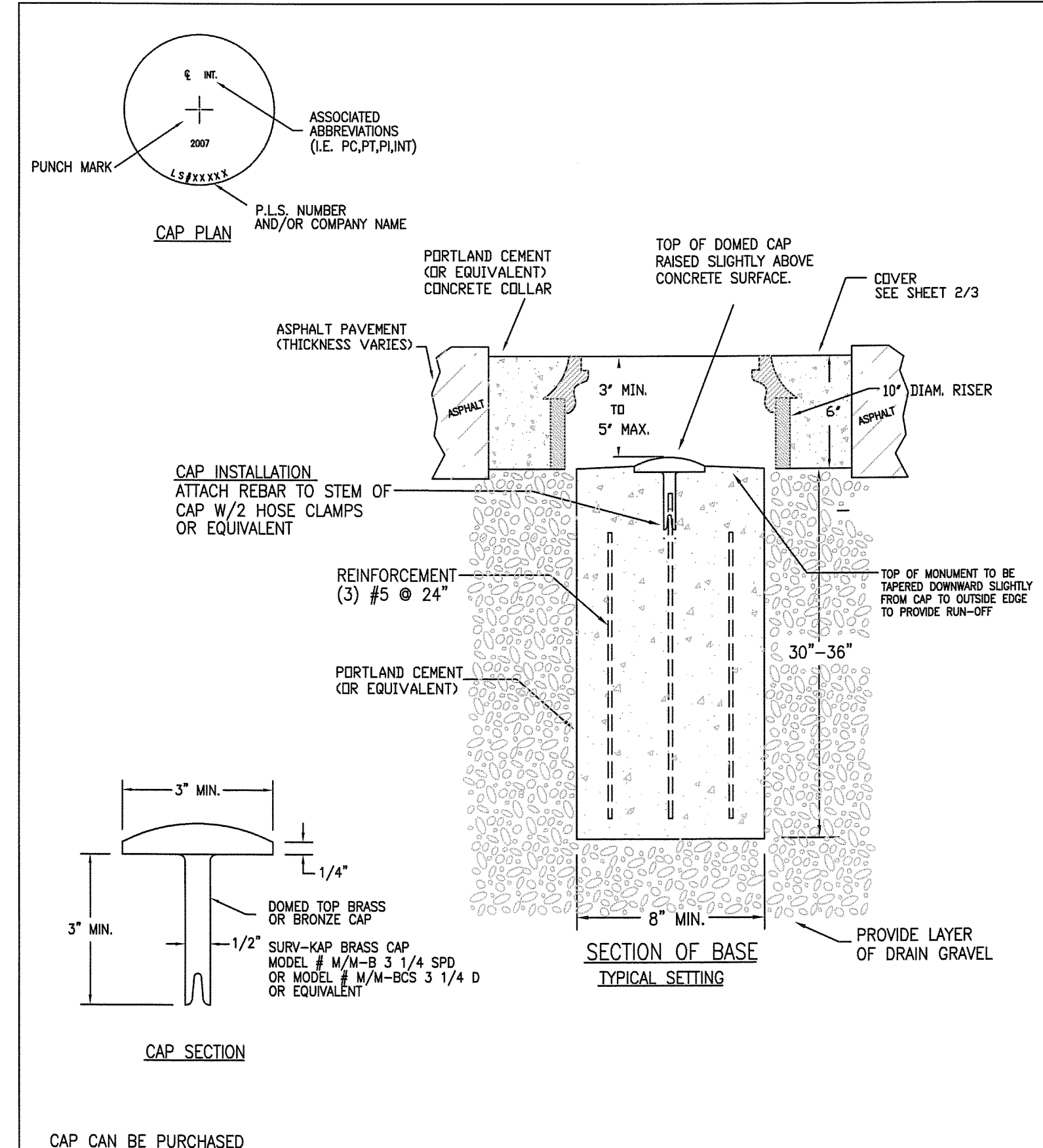


SHEET NUMBER
5.20

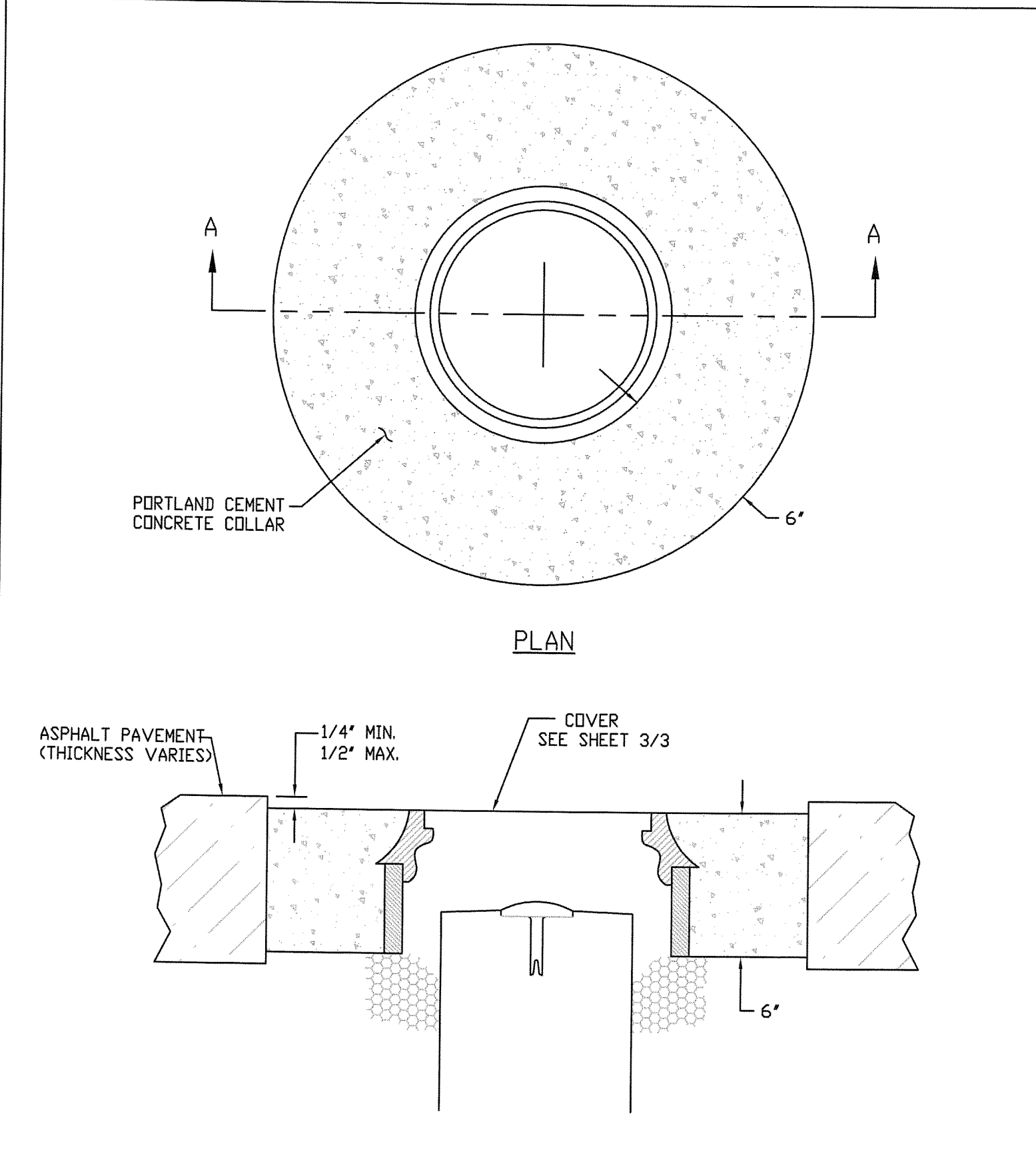
SCALE
 VERTICAL: 1" = N/A
 HORIZONTAL: 1" = N/A

JOB NUMBER
SLB079306

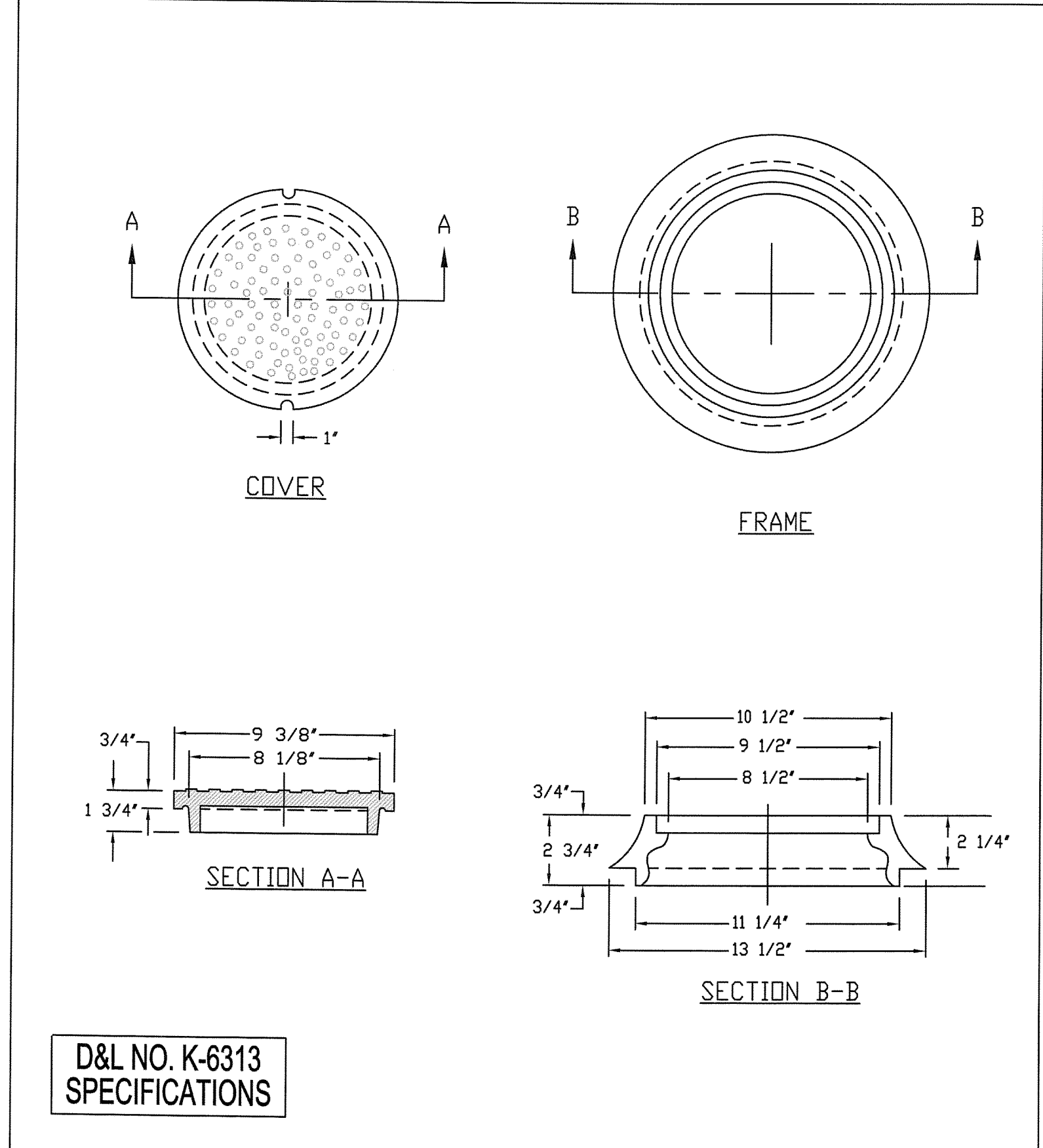




WEBER COUNTY SURVEY OFFICE	RING & LID SURVEY MONUMENT	STANDARD PLANS
		Monument Standard
3/28/10	399-8020	SHEET 1 OF 3



WEBER COUNTY SURVEY OFFICE	Cover Collar For Survey Monuments	STANDARD PLANS
		Monument Specifications
3/28/10	399-8020	SHEET 2 OF 3

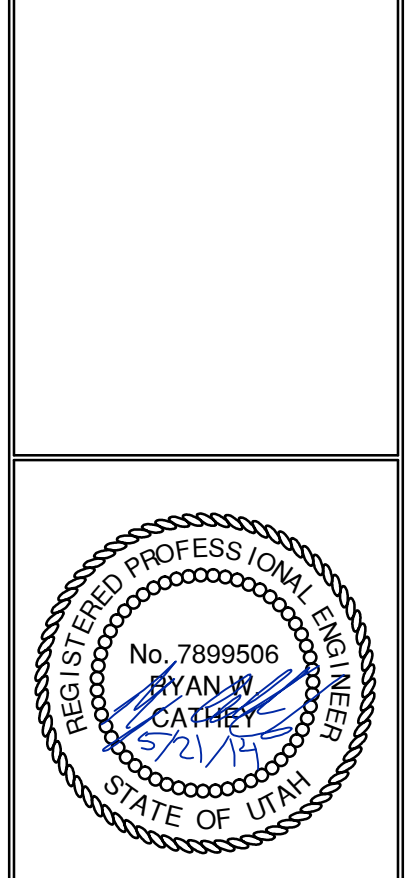


WEBER COUNTY SURVEY OFFICE	RING & LID SURVEY MONUMENT	STANDARD PLANS
		Monument Specifications
3/28/10	399-8020	SHEET 3 OF 3

NO.	BY	DATE	REVISIONS
1	RHC	8/27/03	ADDendum 1
2	RHC	07/20/14	WEBER COUNTY REVIEW REVISIONS
3	RHC	5/27/2014	FOR U. DESIGN

PREPARED FOR: SUMMIT MOUNTAIN HOLDING GROUP, LLC
 DATE SUBMITTED: 01/07/2014
SUMMIT EDEN PHASE 1A
MISCELLANEOUS DETAILS

NV5
 BEYOND ENGINEERING
 627 SOUTH STATE STREET, SUITE 200
 801743.000 TEL. 801743.000 FAX
 MURRAY, UT 84107
 WWW.NV5.COM



SHEET NUMBER
5.30
 SCALE
 VERTICAL: 1" = N/A
 HORIZONTAL: 1" = N/A
 JOB NUMBER
SLB079306

