

SUMMIT EDEN VILLAGE NESTS CONDOMINIUMS

SURVEYOR'S CERTIFICATE

I, RICHARD W. MILLER, DO HEREBY CERTIFY THAT I AM A REGISTERED PROFESSIONAL LAND SURVEYOR IN THE STATE OF UTAH IN ACCORDANCE WITH TITLE 88, CHAPTER 22, PROFESSIONAL ENGINEERS AND LAND SURVEYORS ACT, AND THAT I HAVE COMPLETED A SURVEY OF THE PROPERTY DESCRIBED ON THIS PLAT IN ACCORDANCE WITH SECTION 17-23-17 AND HAVE VERIFIED ALL MEASUREMENTS AND HAVE PLACED MONUMENTS AS REPRESENTED IN THIS PLAT, AND THAT THIS PLAT SUMMIT EDEN VILLAGE NESTS CONDOMINIUMS IN WEBER COUNTY, UTAH, HAS BEEN DRAWN CORRECTLY TO THE DESIGNATED SCALE AND IS A TRUE AND CORRECT REPRESENTATION OF THE HEREON DESCRIBED LANDS INCLUDING SAID SUBDIVISION, BASED UPON DATA COMPILED FROM RECORDS IN THE WEBER COUNTY RECORDER'S OFFICE AND FROM SAID SURVEY MADE BY ME ON THE GROUND. I FURTHER CERTIFY THAT THE REQUIREMENTS OF ALL APPLICABLE STATUTES AND ORDINANCES OF WEBER COUNTY CONCERNING ZONING REQUIREMENTS REGARDING LOT MEASUREMENTS HAVE BEEN COMPLIED WITH. THIS PLAT HAS BEEN PREPARED IN ACCORDANCE WITH THE UTAH CONDOMINIUM OWNERSHIP ACT, UTAH CODE ANNOTATED, TITLE 57, CHAPTER 8.



RICHARD W. MILLER
PROFESSIONAL LAND SURVEYOR
UTAH CERTIFICATE NO. 155641

LEGAL DESCRIPTION

DEVELOPMENT PARCEL D OF SUMMIT EDEN PHASE ID, AS RECORDED AND ON FILE IN THE OFFICE OF THE WEBER COUNTY RECORDER.
CONTAINING: 59,907 SQFT OR 1.375 ACRES

SURVEY NARRATIVE:

- THIS SURVEY AND PLAT WERE COMPLETED AT THE REQUEST OF SUMMIT MOUNTAIN HOLDING GROUP L.L.C. FOR THE PURPOSE OF SUBDIVIDING THEIR PROPERTY TO CREATE THIS RESIDENTIAL CONDOMINIUM DEVELOPMENT.
- THE BASIS OF BEARINGS FOR THIS PLAT IS NORTH 89°55'51" WEST BETWEEN THE NORTHEAST CORNER OF SECTION 1, TOWNSHIP 7 NORTH, RANGE 1 EAST, SALT LAKE BASE AND MERIDIAN AND A FOUND WEBER COUNTY LINE MONUMENT SET BY THE WEBER COUNTY SURVEYOR'S OFFICE. THIS BASIS DIFFERS FROM WEBER COUNTY SURVEYORS BASIS BY 00°00'14" AS SHOWN ON COUNTY LINE DECLARATION RECORDED PLAT BOOK 74, PAGE 64.

OWNER'S DEDICATION:

SMHG PHASE I, L.L.C. ("DECLARANT"), AS THE OWNER OF THE HEREIN DESCRIBED TRACT OF LAND, DOES HEREBY SET APART AND SUBDIVIDE THE SAME INTO UNITS AND COMMON AREAS AND FACILITIES AS SHOWN HEREON AND NAME SAID TRACT, TO BE KNOWN AS SUMMIT EDEN VILLAGE NESTS CONDOMINIUMS, AND DOES HEREBY GRANT AND DEDICATE A PERPETUAL RIGHT AND EASEMENT OVER, UPON AND UNDER THE COMMON AREAS AND FACILITIES AS PUBLIC UTILITY EASEMENTS, THE SAME TO BE USED FOR THE INSTALLATION MAINTENANCE AND OPERATION OF PUBLIC UTILITY SERVICE LINES.

IN WITNESS WHEREOF, DECLARANT HAS EXECUTED THIS OWNER'S DEDICATION AS OF THE ____ DAY OF _____, 20____.

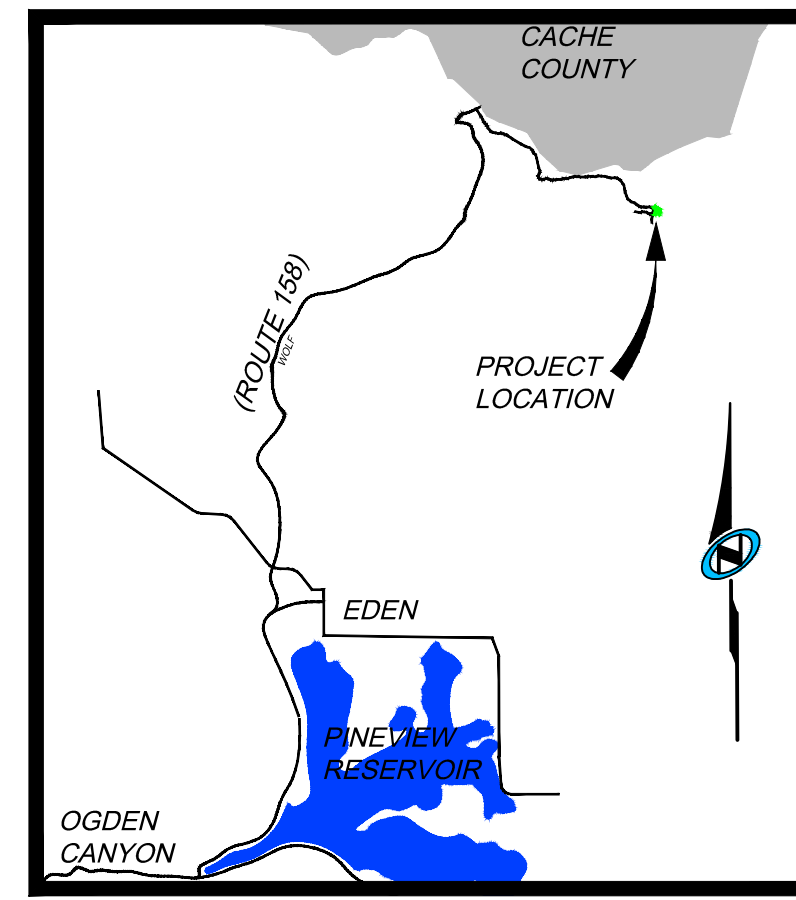
SMHG PHASE I, L.L.C., A DELAWARE LIMITED LIABILITY COMPANY

BY: SMHG INVESTMENTS L.L.C., A DELAWARE LIMITED LIABILITY COMPANY,
ITS SOLE MEMBER

BY: _____
ELLIOTT BISNOW, MANAGER

BY: _____
GREGORY VINCENT MAURO, MANAGER

LOCATED IN THE NORTHEAST QUARTER SECTION 8,
TOWNSHIP 7 NORTH, RANGE 2 EAST,
SALT LAKE BASE AND MERIDIAN
DECEMBER 6, 2013



Vicinity Map

N.T.S.

PLAT NOTES:

- THIS CONDOMINIUM PLAT ("PLAT") DEPICTS THE SUMMIT EDEN VILLAGE NESTS CONDOMINIUM PROJECT ("PROJECT") CREATED AND GOVERNED BY THAT CERTAIN DECLARATION OF CONDOMINIUM FOR SUMMIT EDEN VILLAGE NESTS ("CONDOMINIUM DECLARATION") THAT HAS BEEN OR WILL BE RECORDED IN THE OFFICE OF THE WEBER COUNTY RECORDER WHICH SHALL SET FORTH THE RESTRICTIONS AND GENERAL PLAN OF IMPROVEMENT FOR THE PROPERTY DESCRIBED IN THIS PLAT. THE PROJECT IS ALSO SUBJECT TO THAT CERTAIN MASTER DECLARATION OF COVENANTS, CONDITIONS, EASEMENTS AND RESTRICTIONS FOR SUMMIT EDEN ("MASTER DECLARATION"). CAPITALIZED TERMS NOT OTHERWISE DEFINED IN THIS PLAT SHALL HAVE THE MEANINGS SET FORTH IN THE MASTER DECLARATION OR CONDOMINIUM DECLARATION. THE CONDOMINIUM DECLARATION AND MASTER DECLARATION SET FORTH THE EASEMENTS, RESTRICTIONS AND GENERAL PLAN OF IMPROVEMENT FOR THE PROJECT.
- THE PROJECT IS WITHIN DEVELOPMENT PARCEL D OF THE SUMMIT EDEN SUBDIVISION PLAT PHASE ID AND SUBJECT TO THE NOTES, TERMS AND CONDITIONS OF SUCH PLAT.
- ACCESS TO THE PROJECT IS THROUGH AN EASEMENT OVER THE PRIVATE ROAD AS NOTED ON THE SUBDIVISION PLAT. ACCESS TO EACH UNIT IS BY PRIVATE ROADS AND IS NOT WARRANTED BY WEBER COUNTY.
- THE STREET ADDRESS OF THE PROJECT IS: _____ DAYBREAK RIDGE, EDEN, UTAH. THE ADDRESS OF EACH UNIT IS SHOWN ON THE PLAT.
- THE LOCATIONS, DIMENSIONS AND BOUNDARIES OF THE UNITS AND SQUARE FOOTAGE CALCULATIONS ARE BASED SOLELY ON DRAWINGS SUPPLIED BY NOLTE VERTICAL FIVE. THE SQUARE FOOTAGES SHOWN ON THIS PLAT ARE CALCULATED IN ACCORDANCE WITH THE UTAH CONDOMINIUM OWNERSHIP ACT AND THE CONDOMINIUM DECLARATION. SUCH CALCULATION TYPICALLY DIFFERS SOMEWHAT FROM THE SQUARE FOOTAGE DETERMINED BY THE ARCHITECT OR OTHERS USING DIFFERENT METHODS OF DETERMINING UNIT SIZE. IT IS INTENDED THAT THE SIZE AND BOUNDARIES OF THE UNITS SHALL BE AS CONSTRUCTED.
- PURSUANT TO THE CONDOMINIUM DECLARATION, THE SUMMIT EDEN VILLAGE NESTS ASSOCIATION, INC., A UTAH NONPROFIT CORPORATION ("ASSOCIATION") IS RESPONSIBLE FOR MAINTAINING CERTAIN PORTIONS OF THE PROJECT, INCLUDING BUT NOT LIMITED TO, THE COMMON AREAS AND FACILITIES, AND THE ASSOCIATION SHALL HAVE A PERPETUAL NON-EXCLUSIVE EASEMENT OVER THE PROPERTY AND PROJECT FOR SUCH MAINTENANCE PURPOSES AS FURTHER DESCRIBED IN THE CONDOMINIUM DECLARATION. SUCH RESPONSIBILITY AND EASEMENT MAY BE DELEGATED AND ASSIGNED TO THE SUMMIT EDEN OWNERS ASSOCIATION, INC., A UTAH NONPROFIT CORPORATION ("COMMUNITY ASSOCIATION").
- PURSUANT TO THE MASTER DECLARATION, THE COMMUNITY ASSOCIATION IS RESPONSIBLE FOR MAINTAINING ALL COMMON AREAS WITHIN SUMMIT EDEN, AND SHALL HAVE A PERPETUAL NON-EXCLUSIVE EASEMENT OVER THE PROPERTY FOR SUCH MAINTENANCE PURPOSES AS FURTHER DESCRIBED IN THE MASTER DECLARATION AND CONDOMINIUM DECLARATION.
- THE PROPERTY AS DEPICTED ON THIS PLAT IS SUBJECT TO THE DEVELOPMENTAL RIGHTS AS DESCRIBED IN THE CONDOMINIUM DECLARATION, AND DECLARANT SHALL HAVE THE RIGHT TO EXERCISE ANY DEVELOPMENTAL RIGHT PROVIDED FOR IN THE DECLARATION, INCLUDING, WITHOUT LIMITATION, RESERVATION AND GRANTING OF CERTAIN EASEMENTS, REDUCING OR RELOCATING IMPROVEMENTS WITHIN THE PROJECT, ADDING ADDITIONAL RECREATIONAL AND SERVICE FACILITIES AND MAKING SUCH OTHER DEVELOPMENT DECISIONS AND CHANGES AS DECLARANT SHALL DETERMINE IN ITS SOLE AND EXCLUSIVE DISCRETION.
- THE LIMITED COMMON AREAS AND FACILITIES AS DEPICTED ON THIS PLAT ARE RESERVED FOR THE USE OF CERTAIN OWNERS TO THE EXCLUSION OF OTHER OWNERS. EACH RESPECTIVE IMPROVEMENT DESIGNATED ON THIS PLAT AS "LIMITED COMMON AREAS AND FACILITIES" IS APPURTENANT TO THE RESPECTIVE UNIT IDENTIFIED HEREON AND ARE FOR THE USE AND ENJOYMENT OF THE OWNERS OF SUCH UNIT, SUBJECT TO THE RIGHT OF THE DECLARANT AND ASSOCIATION TO REALLOCATE LIMITED COMMON AREAS AND FACILITIES AS DESCRIBED IN THE CONDOMINIUM DECLARATION.
- ALL UTILITIES WITHIN THE PROJECT SHALL BE UNDERGROUND. NOTWITHSTANDING DECLARANT'S GRANT OF BLANKET UTILITY EASEMENTS, DECLARANT RESERVES THE RIGHT TO RECORD ONE OR MORE INSTRUMENTS WHICH NARROW AND LIMIT SUCH GRANT OF UTILITY EASEMENT TO THE NORMAL EASEMENT WIDTH OF THE UTILITY IN THOSE SPECIFIC AREAS OF THE COMMON AREAS AND FACILITIES WHICH ACTUALLY CONTAIN THE UTILITY FACILITIES AS DESCRIBED IN SUCH INSTRUMENT AND FOR THE PURPOSES DESCRIBED THEREIN. SUCH RESERVED RIGHT IS SUBJECT TO THE UTILITY COMPANIES' RIGHTS THEN LOCATED UNDER THE REAL PROPERTY DEPICTED ON THIS PLAT.
- AS FURTHER DESCRIBED IN THE MASTER DECLARATION, ALL UNITS SHALL COMPLY WITH THE DESIGN GUIDE. NO CONSTRUCTION, INSTALLATION, OR OTHER WORK WHICH IN ANY WAY ALTERS THE APPEARANCE OF ANY PROPERTY OR UNIT WITHIN THE PROJECT SHALL BE MADE OR DONE WITHOUT THE PRIOR WRITTEN APPROVAL OF THE ARCHITECTURAL REVIEW COMMITTEE.
- ALL OF THE PROPERTY WITHIN THE BOUNDARY DESCRIPTION IS DESIGNATED AS WITHDRAWABLE LAND PURSUANT TO THE UTAH CONDOMINIUM OWNERSHIP ACT, AS MORE FULLY SET FORTH IN THE CONDOMINIUM DECLARATION.
- DECLARANT HEREBY GRANTS TO ALL UTILITY PROVIDERS AN EASEMENT OVER AND ACROSS ALL AREAS SHOWN HEREON AS COMMON AREAS AND FACILITIES FOR THE PURPOSE OF INSTALLING, MAINTAINING AND OPERATING EQUIPMENT AND FACILITIES ABOVE AND BELOW GROUND AS MAY BE NECESSARY OR DESIRABLE IN PROVIDING UTILITY SERVICES WITHIN AND WITHOUT THE UNITS, INCLUDING THE RIGHT OF ACCESS TO SUCH FACILITIES AND THE RIGHT TO REQUIRE REMOVAL OF ANY OBSTRUCTIONS INCLUDING STRUCTURES, TREES, AND VEGETATION THAT MAY HAVE BEEN PLACED WITHIN THE EASEMENTS. AT NO TIME MAY ANY PERMANENT STRUCTURES BE PLACED WITHIN THE COMMON AREAS AND FACILITIES WHICH INTERFERES WITH THE USE OF THE EASEMENTS WITHOUT THE PRIOR WRITTEN APPROVAL OF THE APPLICABLE UTILITY PROVIDERS.
- DECLARANT RESERVES THE RIGHT TO UNILATERALLY AMEND THE PLAT, WITHOUT THE CONSENT OF ANY OWNER OR THE ASSOCIATION, AT SUCH TIME AS THE UNITS ARE CONSTRUCTED TO REFLECT THE AS-BUILT LOCATION OF SUCH UNITS. DECLARANT FURTHER RESERVES THE RIGHT TO UNILATERALLY AMEND THE PLAT, WITHOUT THE CONSENT OF THE AFFECTED OWNER, AT ANY TIME AND FROM TIME TO TIME IF SUCH AMENDMENT IS NECESSARY TO SATISFY THE REQUIREMENTS OF ANY GOVERNMENTAL AUTHORITY, TO CORRECT MISTAKES, REMOVE/CLARIFY AMBIGUITIES OR FOR ANY OTHER PURPOSE SO LONG AS SUCH AMENDMENT TO THE PLAT DOES NOT MATERIALLY ADVERSELY AFFECT TITLE TO ANY PROPERTY.
- DECLARANT HEREBY RESERVES TO ITSELF A TEMPORARY EASEMENT ALONG DAYBREAK RIDGE IN SUCH WIDTH AS NECESSARY FOR THE PURPOSES LISTED BELOW ("SLOPE EASEMENT"). SUCH SLOPE EASEMENT IS FOR THE BENEFIT OF DECLARANT, ITS EMPLOYEES, AND CONTRACTORS, FOR THE PURPOSE OF STABILIZING, CUTTING SLOPES, AND PERFORMING OTHER CONSTRUCTION AND MAINTENANCE TO PREVENT EROSION ALONG THE ROAD. THE PORTION OF THE SLOPE EASEMENT ON EACH UNIT SHALL AUTOMATICALLY TERMINATE AT SUCH TIME AS A CERTIFICATE OF OCCUPANCY IS ISSUED FOR THE UNIT, AND SHALL AUTOMATICALLY TERMINATE WITH RESPECT TO THE COMMON AREAS AND FACILITIES AT SUCH TIME AS ALL UNITS WITHIN THE PROJECT HAVE BEEN ISSUED CERTIFICATES OF OCCUPANCY.
- DECLARANT GIVES NOTICE THAT THE UNITS ARE IN A SKI RESORT AREA ("SKI RESORT") IN WHICH HEAVY SNOW FALLS, WIND PATTERNS, AND OTHER CONDITIONS HAVE THE POTENTIAL TO CAUSE AVALANCHES IN CERTAIN AREAS. NO STUDIES HAVE BEEN CONDUCTED TO DETERMINE WHETHER ANY OF THE UNITS ARE WITHIN POTENTIAL AVALANCHE INFLUENCE AND AVALANCHE CONTROL ZONES. CERTAIN AREAS WITHIN THE SKI RESORT MAY BE SUBJECT TO AVALANCHE CONTROLS BY THE OPERATOR OF THE SKI RESORT AND SUCH CONTROL PROCEDURES MAY INVOLVE THE USE OF EXPLOSIVE CHARGES AND MAY TRIGGER AVALANCHES AS WELL AS OCCASIONAL ROAD, DRIVEWAY, AND SKI TRAIL CLOSURES. DECLARANT MAKES NO REPRESENTATION WITH RESPECT TO THE OPERATIONS OF THE SKI RESORT OR THE POTENTIAL RISKS OR HAZARDS ASSOCIATED WITH AVALANCHES OR AVALANCHE CONTROL. EACH OWNER OF A UNIT SHOULD CONDUCT ITS OWN STUDIES PRIOR TO CONSTRUCTING ANY IMPROVEMENTS.
- THE CONDOMINIUM DECLARATION AND MASTER DECLARATION SET FORTH THE TERMS AND RESTRICTIONS FOR NIGHTLY RENTALS AND LEASING OF UNITS IN THE PROJECT
- PARKING ON ANY STREET AND ROAD HEREIN IS PROHIBITED.
- IF ANY UNITS ARE REQUIRED, OR REQUESTED BY A PURCHASER, TO BE ADA COMPLIANT THEN ONE OR MORE OF UNITS 1-8 AND 18-20 CAN BE CONSTRUCTED TO MEET SUCH REQUIREMENTS. NO CHANGES WILL NEED TO BE MADE TO THE BOUNDARIES OR AREA OF SUCH UNITS AS SHOWN ON THIS PLAT IN ORDER TO BE CONSTRUCTED IN ACCORDANCE WITH ADA REQUIREMENTS. ANY DESIGNS FOR ADA COMPLIANT UNITS WILL BE SUBMITTED TO WEBER COUNTY FOR REVIEW AND APPROVAL PRIOR TO PERMIT.

ACKNOWLEDGEMENTS:

STATE OF UTAH }
COUNTY OF _____ } S.S.

THE FOREGOING INSTRUMENT WAS ACKNOWLEDGED BEFORE ME THIS ____ DAY OF _____, 20____ BY ELLIOTT BISNOW, MANAGER OF SMHG INVESTMENTS LLC, THE SOLE MEMBER OF SMHG PHASE I, L.L.C.

NOTARY PUBLIC

MY COMMISSION EXPIRES: _____

RESIDING IN: _____

STATE OF UTAH }
COUNTY OF _____ } S.S.

THE FOREGOING INSTRUMENT WAS ACKNOWLEDGED BEFORE ME THIS ____ DAY OF _____, 20____ BY GREGORY VINCENT MAURO, MANAGER OF SMHG INVESTMENTS LLC, THE SOLE MEMBER OF SMHG PHASE I, L.L.C.

NOTARY PUBLIC

MY COMMISSION EXPIRES: _____

RESIDING IN: _____

SUMMIT EDEN VILLAGE NESTS CONDOMINIUMS

LOCATED IN SECTION 8 TOWNSHIP 7 NORTH,
RANGE 1 EAST SALT LAKE BASE AND MERIDIAN, WEBER COUNTY,
UTAH

WEBER COUNTY ATTORNEY
I HAVE EXAMINED THE FINANCIAL GUARANTEE AND OTHER DOCUMENTS ASSOCIATED WITH THIS CONDOMINIUM PLAT AND IN MY OPINION THEY CONFORM WITH THE COUNTY ORDINANCE APPLICABLE THERETO AND NOW IN FORCE AND AFFECT.
SIGNED THIS _____ DAY OF _____, 20____.

SIGNATURE

WEBER COUNTY SURVEYOR
I HEREBY CERTIFY THAT THE WEBER COUNTY SURVEYOR'S OFFICE HAS REVIEWED THIS PLAT FOR MATHEMATICAL CORRECTNESS, SECTION CORNER DATA AND FOR HARMONY WITH LINES AND MONUMENTS ON RECORD IN THE COUNTY OFFICES. THE APPROVAL OF THIS PLAT BY THE WEBER COUNTY SURVEYORS DOES NOT RELIEVE THE LICENSED LAND SURVEYOR WHO EXECUTED THIS PLAT FROM RESPONSIBILITIES AND/OR LIABILITIES ASSOCIATED THEREWITH. SIGNED THIS _____ DAY OF _____, 20____.

COUNTY SURVEYOR

WEBER COUNTY ENGINEER
I HEREBY CERTIFY THAT THE REQUIRED PUBLIC IMPROVEMENT STANDARDS AND DRAWINGS FOR THIS CONDOMINIUM PLAT CONFORM WITH COUNTY STANDARDS AND THE AMOUNT OF THE FINANCIAL GUARANTEE IS SUFFICIENT FOR THE INSTALLATION OF THESE IMPROVEMENTS. SIGNED THIS _____ DAY OF _____, 20____.

SIGNATURE

WEBER COUNTY PLANNING COMMISSION APPROVAL
THIS IS TO CERTIFY THAT THIS CONDOMINIUM PLAT WAS FULLY APPROVED BY THE WEBER COUNTY PLANNING COMMISSION ON THE DAY OF _____, 20____.

CHAIRMAN-WEBER COUNTY PLANNING COMMISSION

WEBER COUNTY COMMISSION ACCEPTANCE
THIS IS TO CERTIFY THAT THIS CONDOMINIUM PLAT, THE DEDICATION OF STREETS AND OTHER PUBLIC WAYS AND FINANCIAL GUARANTEE OF PUBLIC IMPROVEMENTS ASSOCIATED WITH THIS CONDOMINIUM PLAT THEREON ARE HEREBY APPROVED AND ACCEPTED BY THE COMMISSIONERS OF WEBER COUNTY, UTAH
THIS _____ DAY OF _____, 20____.

CHAIRMAN, WEBER COUNTY COMMISSION

N|V|5
NOLTE VERTICAL FIVE
5217 SOUTH STATE STREET, SUITE 300 MURRAY, UT 84107
801.743.1300 TEL. 801.743.0300 FAX
WWW.NOLTE.COM

RECORDED #
STATE OF UTAH, COUNTY OF WEBER,
RECORDED AND FILED AT THE
REQUEST OF: _____
ENTRY NO. _____
DATE: _____ TIME: _____
BOOK: _____ PAGE: _____
FEE \$ _____
WEBER COUNTY RECORDER

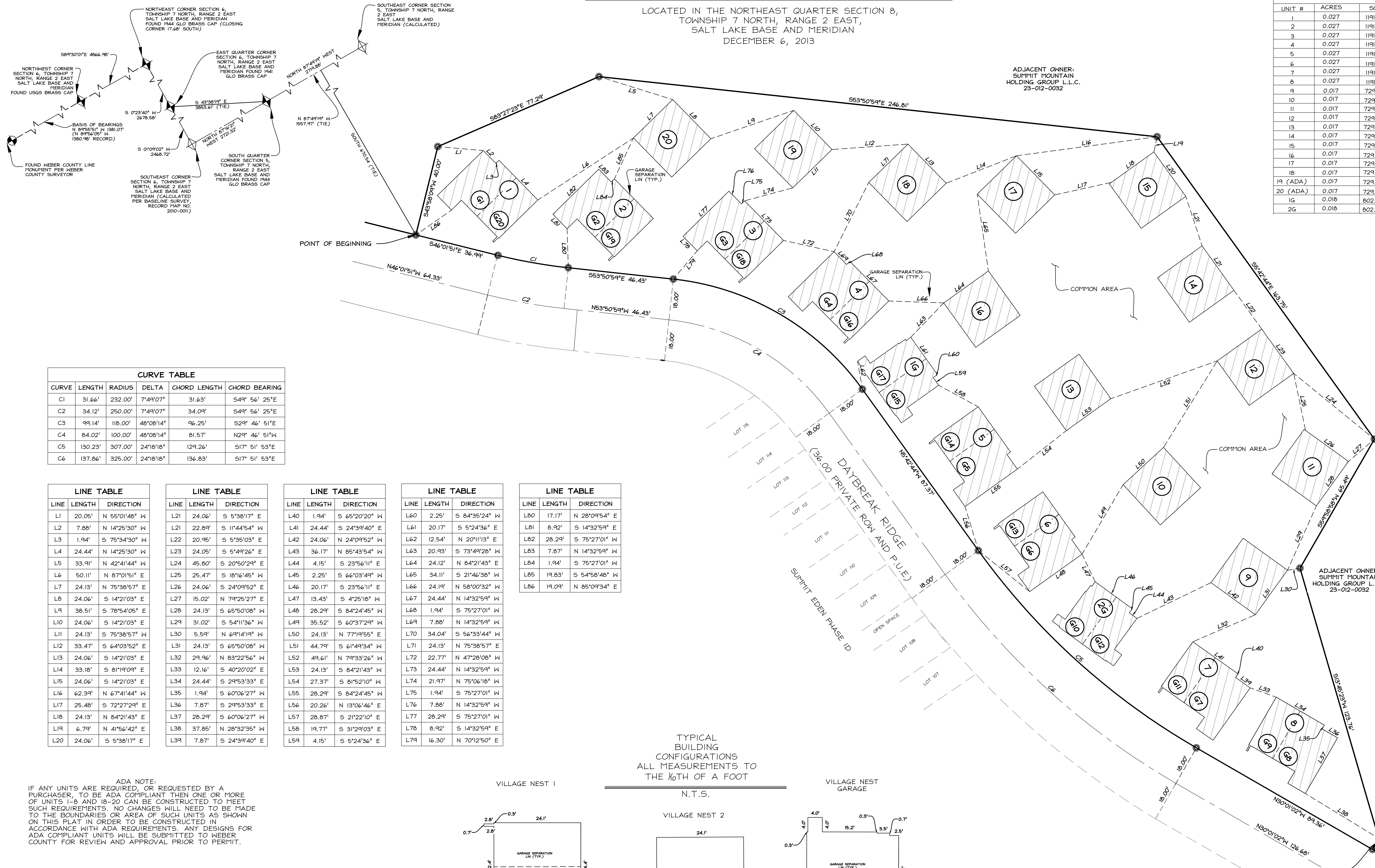
Sheet 1 of 4

SUMMIT EDEN VILLAGE NESTS CONDOMINIUMS

LOCATED IN THE NORTHEAST QUARTER SECTION 8,
TOWNSHIP 7 NORTH, RANGE 2 EAST,
SALT LAKE BASE AND MERIDIAN
DECEMBER 6, 2013

ADJACENT OWNER:
SUMMIT MOUNTAIN
HOLDING GROUP L.L.C.
23-012-0032

UNIT TABLE				
UNIT #	ACRES	SQFT	BLDG TYPE	ASSIGNED GARAGE
1	0.027	1191.00'	VNI	G1
2	0.027	1191.00'	VNI	G2
3	0.027	1191.00'	VNI	G3
4	0.027	1191.00'	VNI	G4
5	0.027	1191.00'	VNI	G5
6	0.027	1191.00'	VNI	G6
7	0.027	1191.00'	VNI	G7
8	0.027	1191.00'	VNI	G8
9	0.017	729.00'	VN2	G9
10	0.017	729.00'	VN2	G10
11	0.017	729.00'	VN2	G11
12	0.017	729.00'	VN2	G12
13	0.017	729.00'	VN2	G13
14	0.017	729.00'	VN2	G14
15	0.017	729.00'	VN2	G15
16	0.017	729.00'	VN2	G16
17	0.017	729.00'	VN2	G17
18	0.017	729.00'	VN2	G18
19 (ADA)	0.017	729.00'	VN2	G19
20 (ADA)	0.017	729.00'	VN2	G20
1G	0.018	802.00'	VNG	
2G	0.018	802.00'	VNG	



CURVE TABLE					
CURVE	LENGTH	RADIUS	DELTA	CHORD LENGTH	CHORD BEARING
C1	31.66'	232.00'	7°49'07"	31.63'	S49° 56' 25"E
C2	34.12'	250.00'	7°49'07"	34.09'	S49° 56' 25"E
C3	99.14'	118.00'	48°08'14"	96.25'	S29° 46' 51"W
C4	84.02'	100.00'	48°08'14"	81.57'	N29° 46' 51"W
C5	130.23'	307.00'	24°18'18"	129.26'	S17° 51' 53"E
C6	137.86'	325.00'	24°18'18"	136.83'	S17° 51' 53"E

LINE TABLE		
LINE	LENGTH	DIRECTION
L1	20.05'	N 55°01'48" W
L2	7.88'	N 14°25'30" W
L3	1.94'	S 75°34'30" W
L4	24.44'	N 14°25'30" W
L5	33.91'	N 42°41'44" W
L6	50.11'	N 87°01'51" E
L7	24.13'	N 75°38'57" E
L8	24.06'	S 14°21'03" E
L9	38.51'	S 78°54'05" E
L10	24.06'	S 14°21'03" E
L11	24.13'	S 75°38'57" W
L12	33.47'	S 64°03'52" E
L13	24.06'	S 14°21'03" E
L14	33.18'	S 81°19'09" E
L15	24.06'	S 14°21'03" E
L16	62.39'	N 67°41'44" W
L17	25.48'	S 72°27'29" E
L18	24.13'	N 84°21'43" E
L19	6.79'	N 41°56'42" E
L20	24.06'	S 5°38'17" E

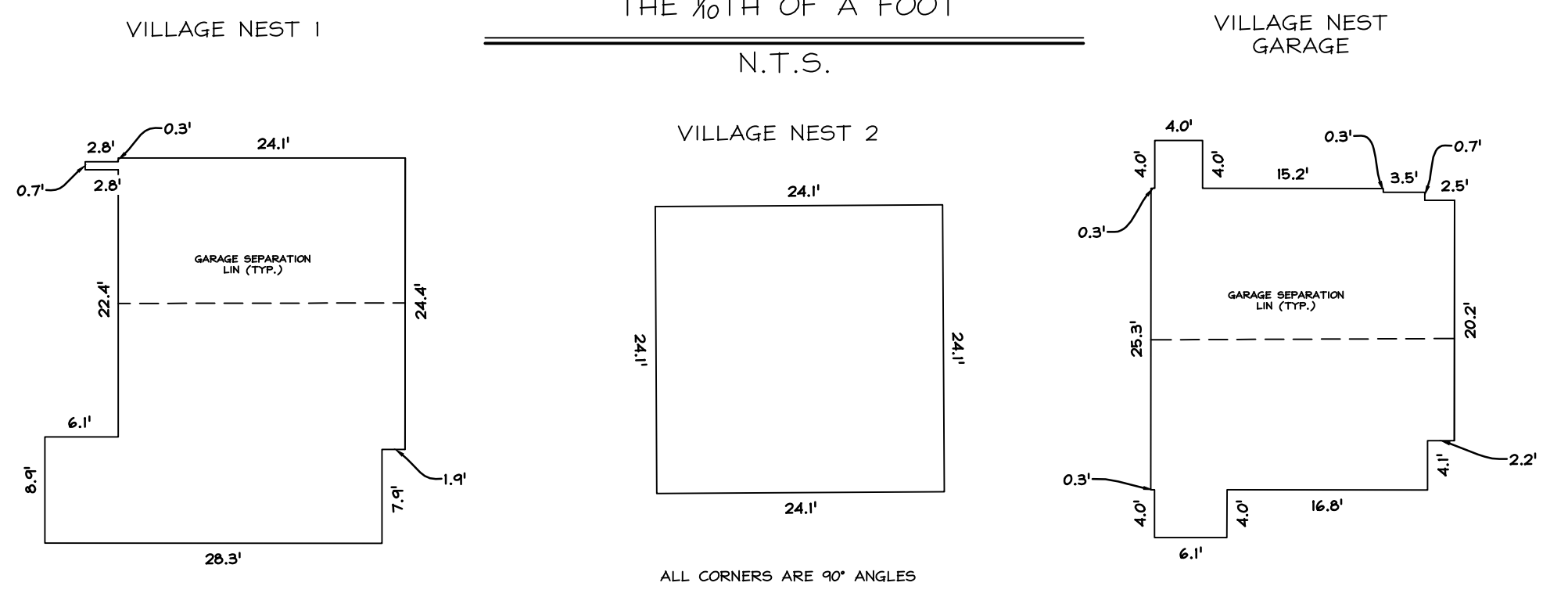
LINE TABLE		
LINE	LENGTH	DIRECTION
L21	24.06'	S 5°38'17" E
L22	22.89'	S 11°44'54" W
L23	24.05'	S 5°35'03" E
L24	45.80'	S 20°50'29" E
L25	25.47'	S 18°16'45" W
L26	24.06'	S 24°09'52" E
L27	15.02'	N 79°25'27" E
L28	24.13'	S 65°50'08" W
L29	31.02'	S 14°21'03" E
L30	5.59'	N 69°14'19" W
L31	24.13'	S 65°50'08" W
L32	29.96'	N 83°22'56" W
L33	12.16'	S 40°20'02" E
L34	24.44'	S 29°53'33" E
L35	1.94'	S 60°06'27" W
L36	7.87'	S 29°53'33" E
L37	28.29'	S 60°06'27" W
L38	37.85'	N 28°32'35" W
L39	7.87'	S 24°39'40" E

LINE TABLE		
LINE	LENGTH	DIRECTION
L40	1.94'	S 65°20'20" W
L41	24.44'	S 24°39'40" E
L42	24.06'	N 24°09'52" W
L43	36.17'	N 85°43'54" W
L44	4.15'	S 23°56'11" E
L45	2.25'	S 66°03'49" W
L46	20.17'	S 23°56'11" E
L47	13.43'	S 4°25'18" W
L48	28.29'	S 84°24'45" W
L49	35.52'	S 60°37'29" W
L50	24.13'	N 77°19'55" E
L51	44.79'	S 61°49'34" W
L52	49.61'	N 79°33'26" W
L53	24.13'	S 84°21'43" W
L54	27.37'	S 81°52'10" W
L55	28.29'	S 84°24'45" W
L56	20.26'	N 13°06'46" E
L57	28.87'	S 21°22'10" E
L58	19.77'	S 31°29'03" E
L59	4.15'	S 5°24'36" E

LINE TABLE		
LINE	LENGTH	DIRECTION
L60	2.25'	S 84°35'24" W
L61	20.17'	S 5°24'36" E
L62	12.54'	N 20°11'13" E
L63	20.93'	S 73°49'28" W
L64	24.12'	N 84°21'43" E
L65	34.11'	S 21°46'38" W
L66	24.19'	N 58°00'32" W
L67	24.44'	N 14°32'59" W
L68	1.94'	S 75°27'01" W
L69	7.88'	N 14°32'59" W
L70	34.04'	S 56°33'44" W
L71	24.13'	N 75°38'57" E
L72	22.77'	N 47°28'08" W
L73	24.44'	N 14°32'59" W
L74	21.97'	N 75°06'18" W
L75	1.94'	S 75°27'01" W
L76	7.88'	N 14°32'59" W
L77	28.29'	S 75°27'01" W
L78	8.92'	S 14°32'59" E
L79	16.30'	N 70°12'50" E

LINE TABLE		
LINE	LENGTH	DIRECTION
L80	17.17'	N 28°09'54" E
L81	8.92'	S 14°32'59" E
L82	28.29'	S 75°27'01" W
L83	7.87'	N 14°32'59" W
L84	1.94'	S 75°27'01" W
L85	19.83'	S 54°58'48" W
L86	19.09'	N 85°09'34" E

TYPICAL BUILDING CONFIGURATIONS ALL MEASUREMENTS TO THE 1/8" OF A FOOT



ADA NOTE:
IF ANY UNITS ARE REQUIRED, OR REQUESTED BY A PURCHASER, TO BE ADA COMPLIANT THEN ONE OR MORE OF UNITS 1-8 AND 18-20 CAN BE CONSTRUCTED TO MEET SUCH REQUIREMENTS. NO CHANGES WILL NEED TO BE MADE TO THE BOUNDARIES OR AREA OF SUCH UNITS AS SHOWN ON THIS PLAN IN ORDER TO BE CONSTRUCTED IN ACCORDANCE WITH ADA REQUIREMENTS. ANY DESIGNS FOR ADA COMPLIANT UNITS WILL BE SUBMITTED TO WEBER COUNTY FOR REVIEW AND APPROVAL PRIOR TO PERMIT.

SUMMIT EDEN VILLAGE NESTS CONDOMINIUMS PLAT

LOCATED IN SECTION 8 TOWNSHIP 7 NORTH, RANGE 1 EAST LAKE BASE AND MERIDIAN, WEBER COUNTY, UTAH

LEGEND:

- BOUNDARY LINE
- LOT LINE
- SECTION LINE
- QUARTER SECTION LINE
- ADJOINER DEED LINES
- AREA TIE LINES
- CALCULATED SECTION CORNER AS NOTED
- SECTION CORNER AS NOTED
- SET 5/8" X 2" REBAR WITH PLASTIC CAP, STAMPED "NOLTE ASSOC."
- BUILDING
- COMMON AREA
- DESIGNATED UNIT TO WHICH GARAGE IS APPURTENANT

Sheet 2 of 4

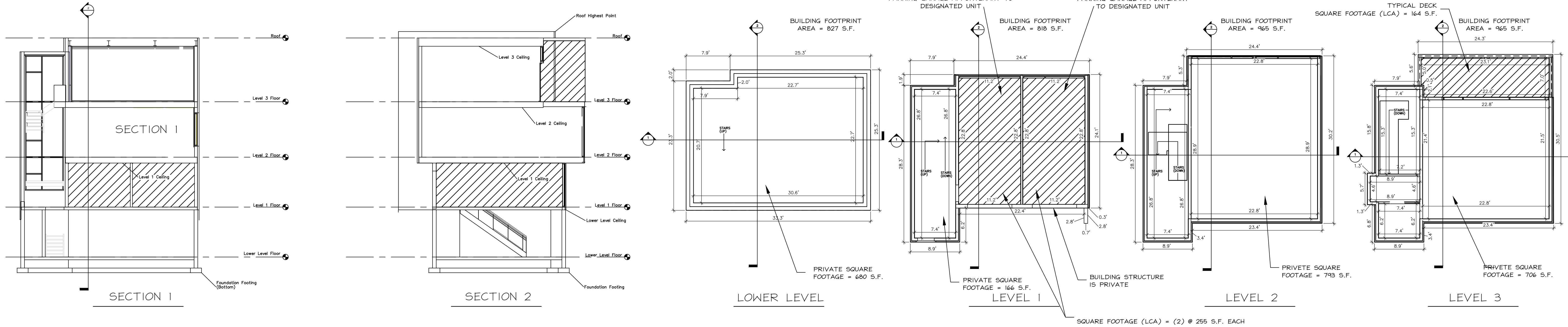
NIV5
NOLTE VERTICAL FIVE

8217 SOUTH STATE STREET, SUITE 300 MURRAY, UT 84107
801.743.1300 TEL 801.743.0300 FAX WWW.NOLTE.COM

RECORDED #
STATE OF UTAH, COUNTY OF WEBER,
RECORDED AND FILED AT THE
REQUEST OF:
ENTRY NO.:
DATE: TIME:
BOOK: PAGE:
FEE \$
WEBER COUNTY RECORDER

VILLAGE NEST 1 (VNI) FOR UNITS 1,2,3,4,5,6,7,8

N.T.S.
DECEMBER 6, 2013



NOTE: SEE BUILDING UNIT ELEVATION TABLE FOR ELEVATION OF CEILING, FLOORS, FOUNDATION, AND ROOF ELEVATIONS.

BUILDING UNIT ELEVATION TABLE

BUILDING UNIT #	Foundation Footing (Bottom)	Lower Level Floor	Lower Level Ceiling	Level 1 Floor	Level 1 Ceiling	Level 2 Floor	Level 2 Ceiling	Level 3 Floor	Level 3 Ceiling	Roof	Roof Highest Point
1	8628.67	8631.50	8640.00	8640.50	8648.44	8649.50	8658.45	8659.50	8669.50	8671.00	8672.17
2	8625.17	8628.00	8636.50	8637.00	8644.94	8646.00	8654.95	8656.00	8666.00	8667.50	8668.67
3	8619.18	8622.01	8630.51	8631.01	8638.95	8640.01	8648.96	8650.01	8660.01	8661.51	8662.68
4	8617.92	8620.75	8629.25	8629.75	8637.69	8638.75	8647.70	8648.75	8658.75	8660.25	8661.42
5	8616.47	8619.30	8627.80	8628.30	8636.24	8637.30	8646.25	8647.30	8657.30	8658.80	8659.97
6	8616.17	8619.00	8627.5	8628.00	8635.94	8637.00	8645.95	8647.00	8657.00	8658.50	8659.67
7	8619.15	8621.98	8630.48	8630.98	8638.92	8639.98	8648.93	8649.98	8659.98	8661.48	8662.65
8	8623.37	8626.20	8634.70	8635.20	8643.14	8644.20	8653.15	8654.20	8664.20	8665.70	8666.87

AREA DESIGNATION TABLE

PRIVATE SQUARE FOOTAGE	2345 S.F.
LIMITED COMMON SQUARE FOOTAGE	674 S.F.

LEGEND

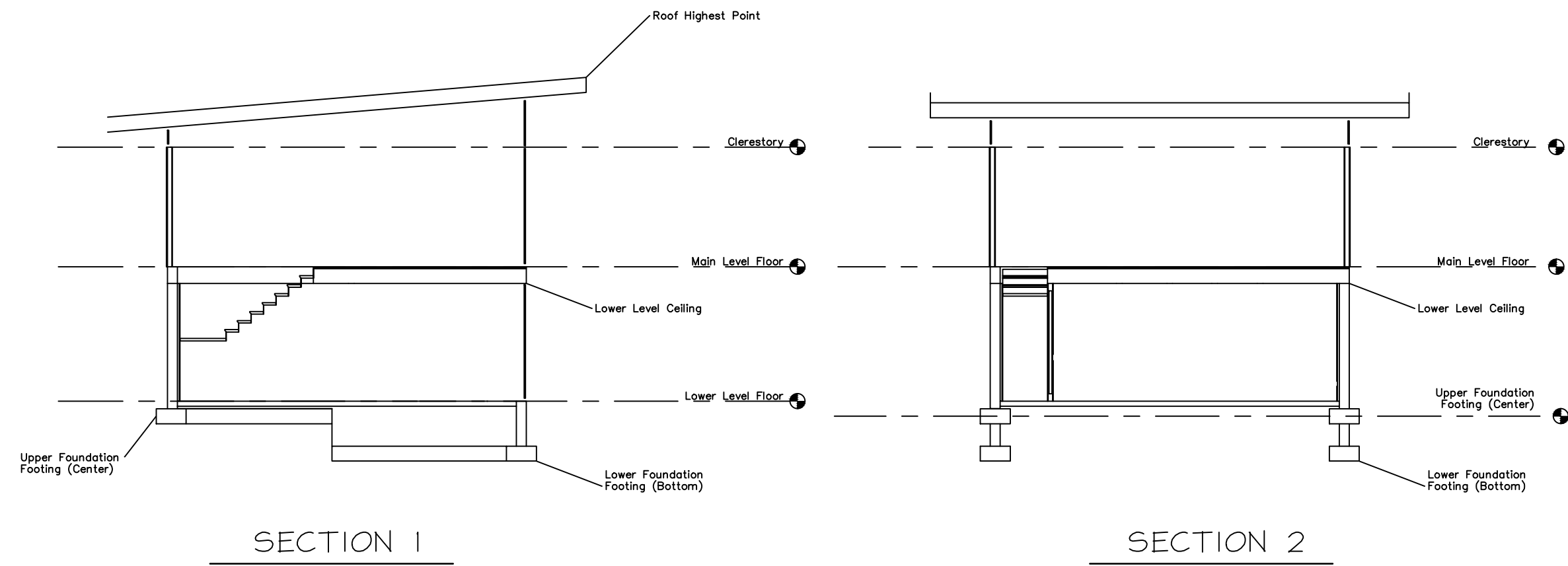
LIMITED COMMON AREA AND FACILITIES (LCA)	
PRIVATE OWNERSHIP	

SUMMIT EDEN VILLAGE NESTS
CONDOMINIUMS
BUILDING FLOOR PLANS AND SECTIONS

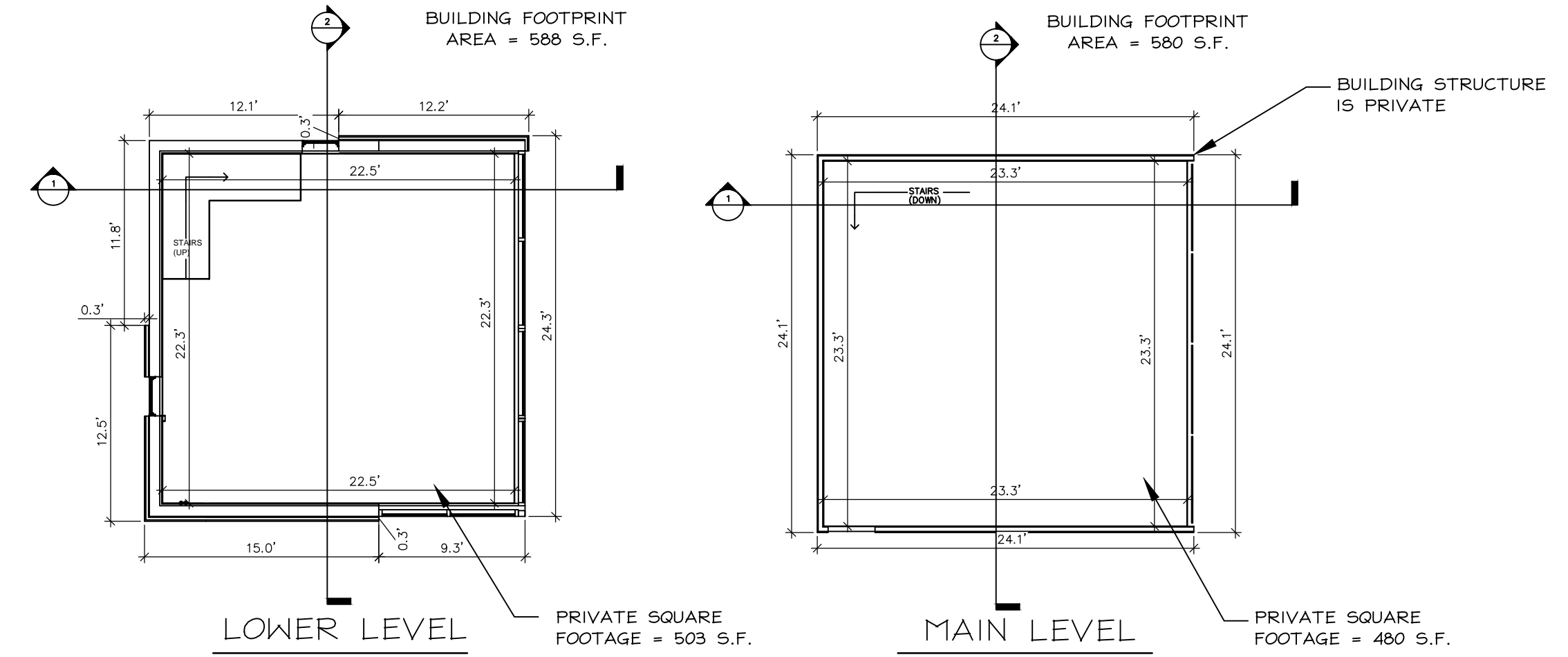
LOCATED IN SECTION 8 TOWNSHIP 7 NORTH,
RANGE 1 EAST LAKE BASE AND MERIDIAN, WEBER COUNTY, UTAH

VILLAGE NEST 2 (VN2) FOR UNITS 9,10,11,12,13,14,15,16,17,18,19,20

N.T.S.
DECEMBER 6, 2013



NOTE: SEE BUILDING UNIT ELEVATION TABLE FOR ELEVATION OF CEILING, FLOORS, FOUNDATION, AND ROOF ELEVATIONS.



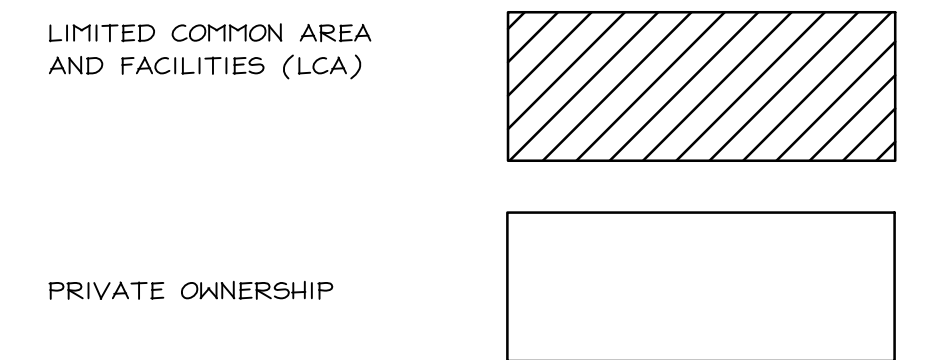
BUILDING UNIT ELEVATION TABLE

BUILDING UNIT #	Lower Foundation Footing (Bottom)	Upper Foundation Footing (Center)	Lower Level Floor	Lower Level Ceiling	Main Level Floor	Clerestory	Roof Highest Point
9	8603.00	8607.00	8608.00	8615.84	8617.00	8625.00	8629.67
10	8603.00	8607.00	8608.00	8615.84	8617.00	8625.00	8629.67
11	8603.00	8607.00	8608.00	8615.84	8617.00	8625.00	8629.67
12	8603.00	8607.00	8608.00	8615.84	8617.00	8625.00	8629.67
13	8603.00	8607.00	8608.00	8615.84	8617.00	8625.00	8629.67
14	8603.00	8607.00	8608.00	8615.84	8617.00	8625.00	8629.67
15	8603.00	8607.00	8608.00	8615.84	8617.00	8625.00	8629.67
16	8603.00	8607.00	8608.00	8615.84	8617.00	8625.00	8629.67
17	8603.00	8607.00	8608.00	8615.84	8617.00	8625.00	8629.67
18	8603.00	8607.00	8608.00	8615.84	8617.00	8625.00	8629.67
19	8603.00	8607.00	8608.00	8615.84	8617.00	8625.00	8629.67
20	8603.00	8607.00	8608.00	8615.84	8617.00	8625.00	8629.67

AREA DESIGNATION TABLE

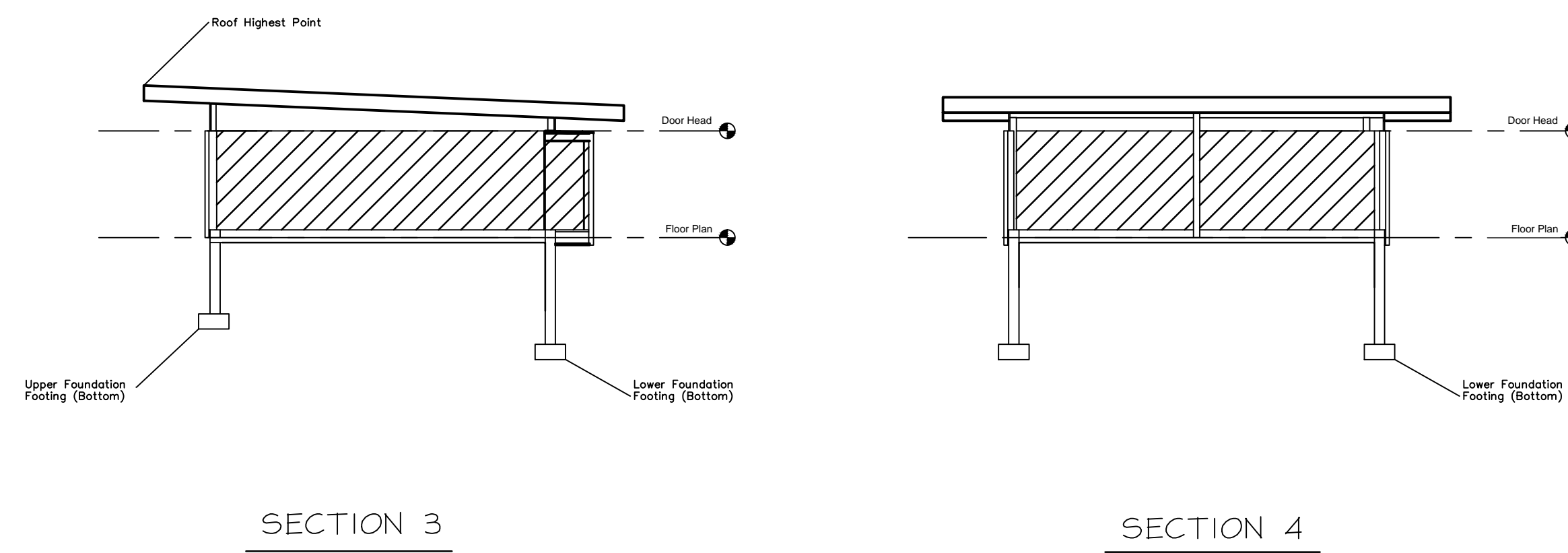
PRIVATE SQUARE FOOTAGE	983 S.F.
LIMITED COMMON SQUARE FOOTAGE	0 S.F.

LEGEND

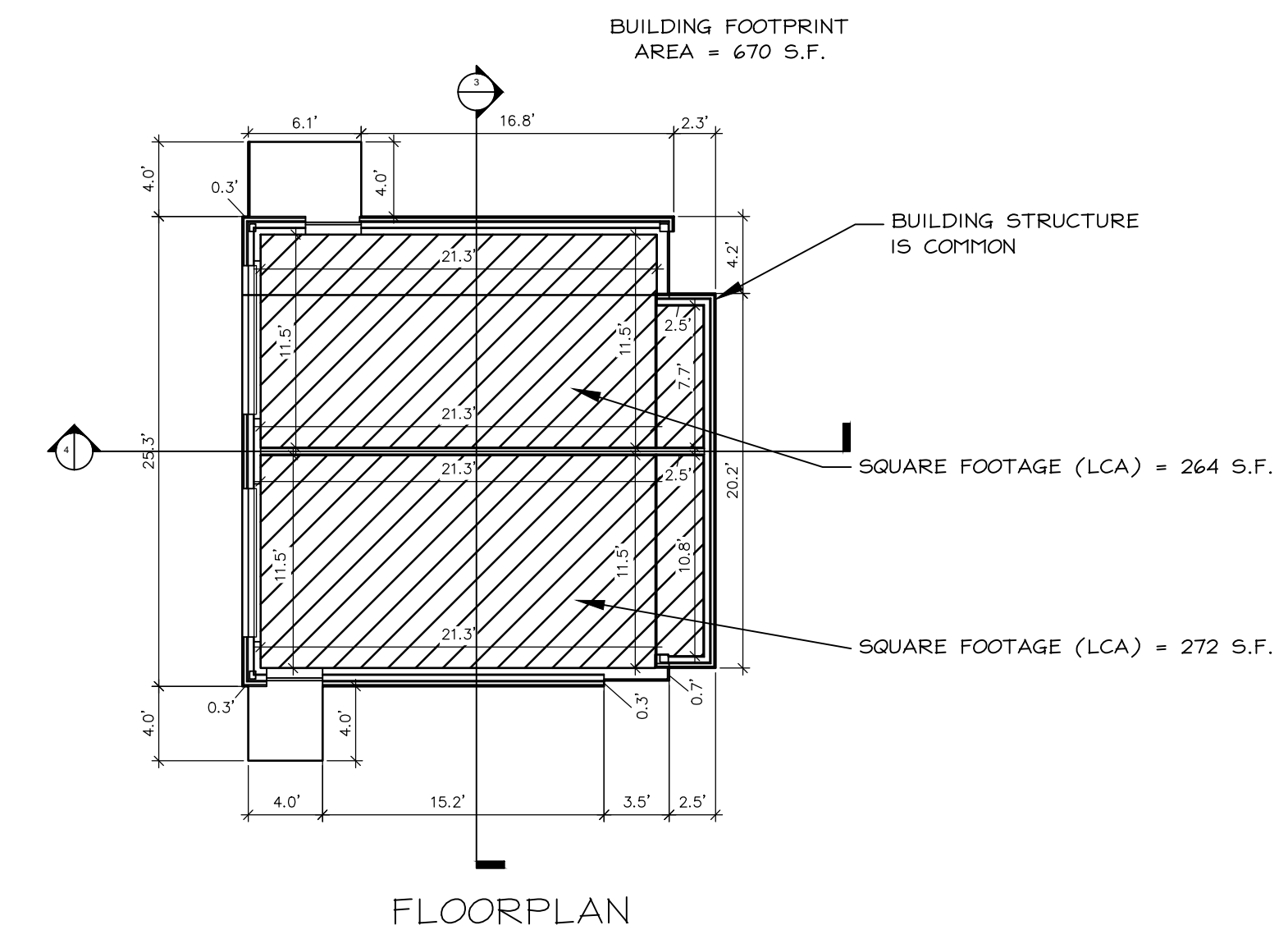


VILLAGE NEST GARAGES (VNG) FOR 1G & 2G

N.T.S.



NOTE: SEE BUILDING UNIT ELEVATION TABLE FOR ELEVATION OF CEILING, FLOORS, FOUNDATION, AND ROOF ELEVATIONS.



BUILDING UNIT ELEVATION TABLE

BUILDING UNIT #	Lower Foundation Footing (Bottom)	Upper Foundation Footing (Bottom)	Floor Plan	Door Head	Roof Highest Point
1G	8622.00	8624.00	8629.00	8636.00	8638.98
2G	8622.10	8625.10	8629.10	8636.10	8639.08

AREA DESIGNATION TABLE

PRIVATE SQUARE FOOTAGE	0 S.F.
LIMITED COMMON SQUARE FOOTAGE	536 S.F.

**SUMMIT EDEN VILLAGE NESTS
CONDOMINIUMS
BUILDING FLOOR PLANS AND SECTIONS**

LOCATED IN SECTION 8 TOWNSHIP 7 NORTH,
RANGE 1 EAST LAKE BASE AND MERIDIAN, WEBER COUNTY, UTAH