

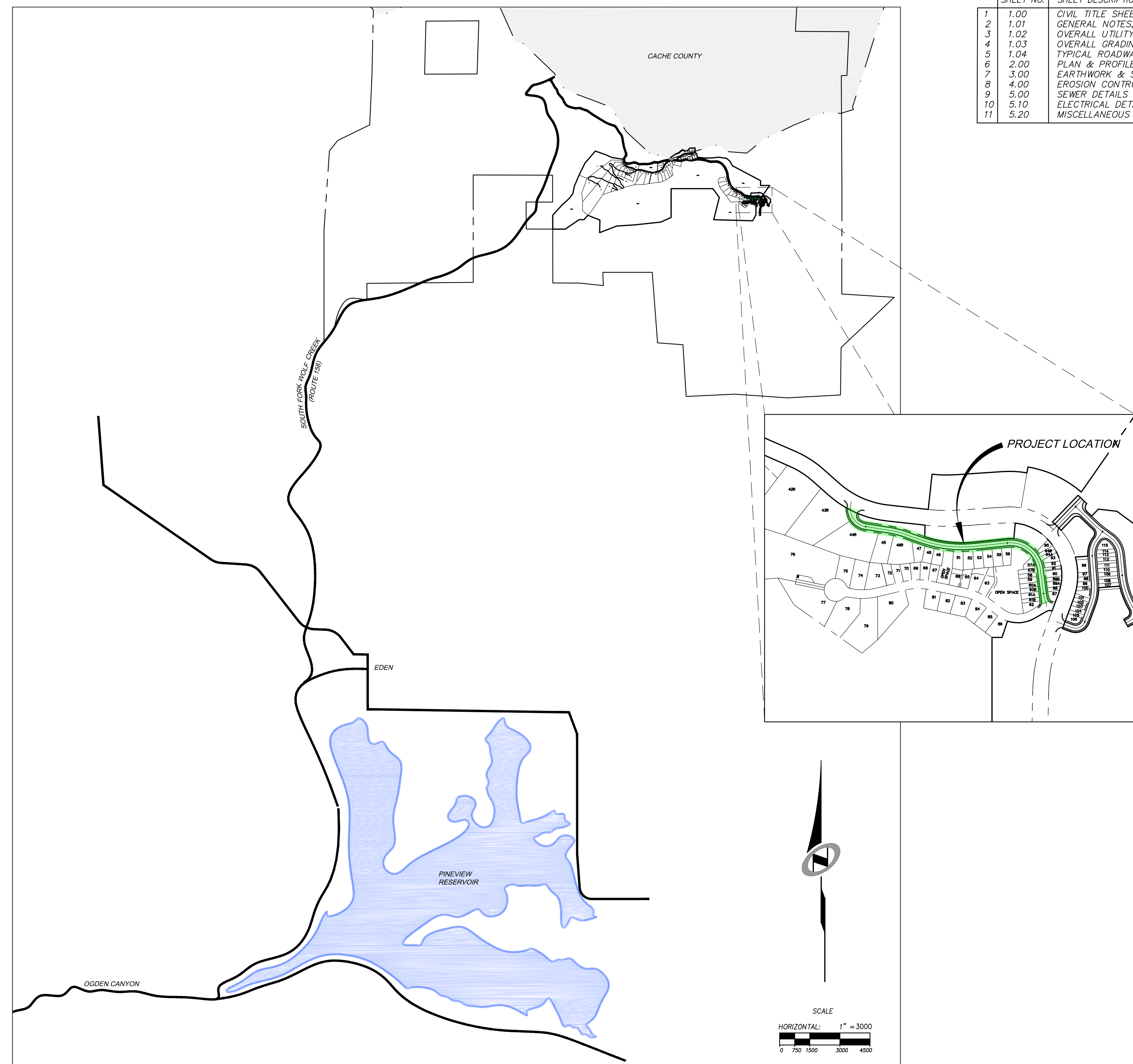
DATE: 11/26/13 TIME: 10:24:18 AM DRAWING NAME: P1001.DWG  
 SERVER: NONE PAGE SETUP: LAYOUT: LAYOUT1  
 PATH: N:\SLB0793\CADD\PHASE 1\VP\1P1-C ESSONER: ### PROJ. MGR: ###

BOWDEN  
 XREFS:

# SUMMIT EDEN PHASE 1C

## ROADWAY AND UTILITY CONSTRUCTION DRAWINGS

**Located in Sec 01 T7N R1E**  
**Weber County, Utah**



**SHEET INDEX:**

SHEET NO.	SHEET DESCRIPTION
1	1.00 CIVIL TITLE SHEET
2	1.01 GENERAL NOTES, LEGEND, AND KEYNOTES
3	1.02 OVERALL UTILITY
4	1.03 OVERALL GRADING
5	1.04 TYPICAL ROADWAY SECTION
6	2.00 PLAN & PROFILE - COPPER CREST ROAD
7	3.00 EARTHWORK & SECTIONS - COPPER CREST ROAD
8	4.00 EROSION CONTROL PLAN - COPPER CREST ROAD
9	5.00 SEWER DETAILS
10	5.10 ELECTRICAL DETAILS
11	5.20 MISCELLANEOUS DETAILS

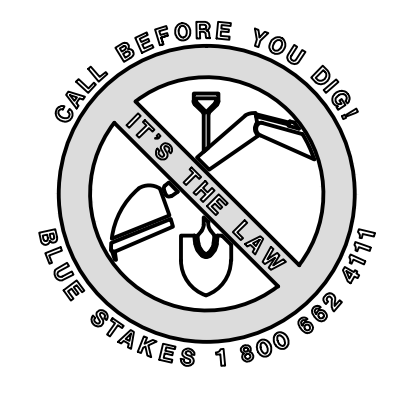
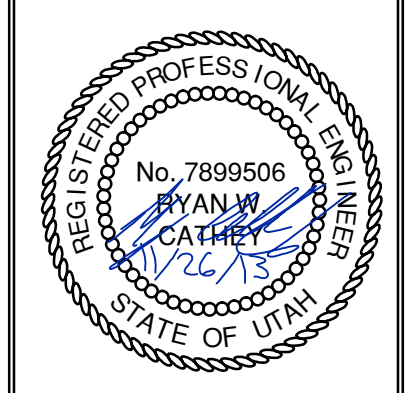
**SUMMIT EDEN PHASE 1C**

CIVIL TITLE SHEET

DATE SUBMITTED: 11/26/2013

PREPARED FOR: SUMMIT, LLC

**NV5**  
 BEYOND ENGINEERING  
 5217 SOUTH STATE STREET, SUITE 200  
 801743.0000 TEL. 801743.0000 FAX  
 MURRAY, UT 84107  
 WWW.NV5.COM



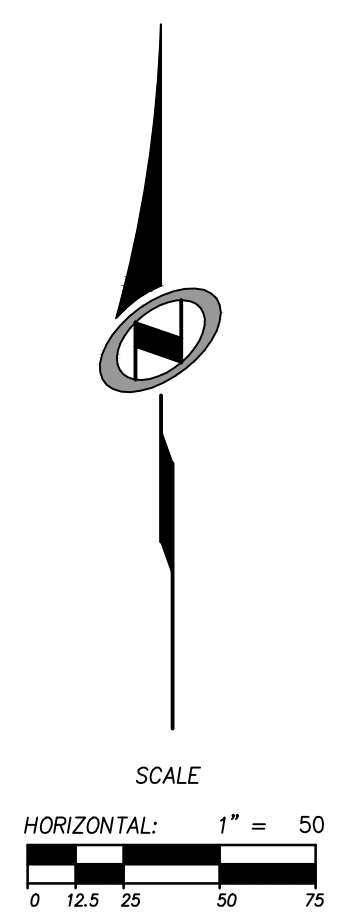
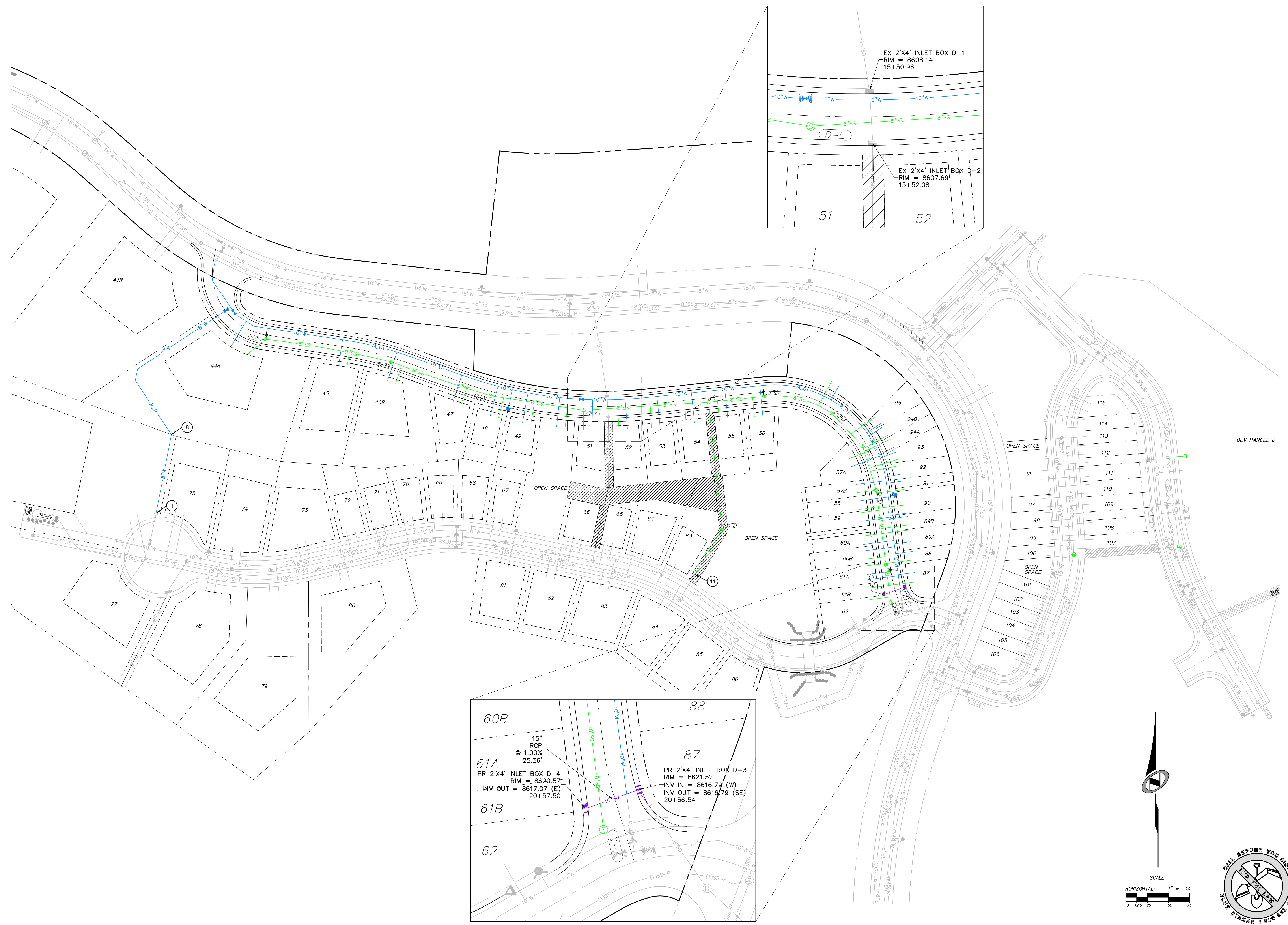
SHEET NUMBER  
**1.00**

SCALE  
 VERTICAL: 1" = 8'  
 HORIZONTAL: 1" = 3000'

JOB NUMBER  
**SLB079306**

CAUTION  
 The engineer preparing these plans will not be responsible for, or liable for, unauthorized changes to or uses of these plans, and must be approved by the preparer of these plans.



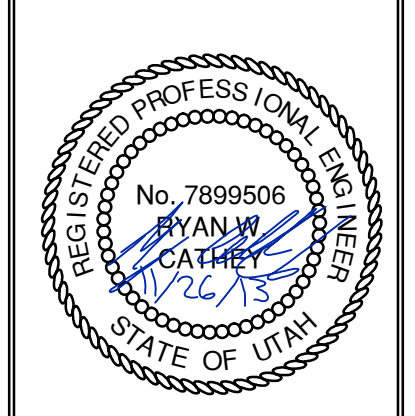


NO.	BY	DATE	REVISIONS

# SUMMIT EDEN PHASE 1C

## OVERALL UTILITY PLAN

**NV5**  
 BEYOND ENGINEERING  
 5217 SOUTH STATE STREET, SUITE 200  
 MURRAY, UT 84107  
 801.743.0300 TEL. 801.743.0300 FAX  
 WWW.NV5.COM



SHEET NUMBER  
**1.02**

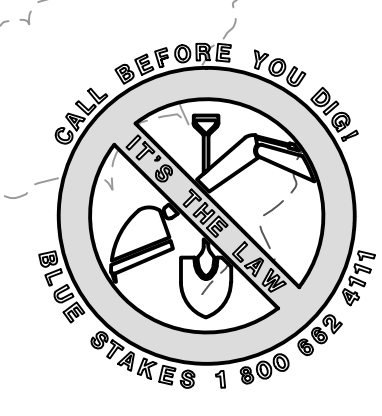
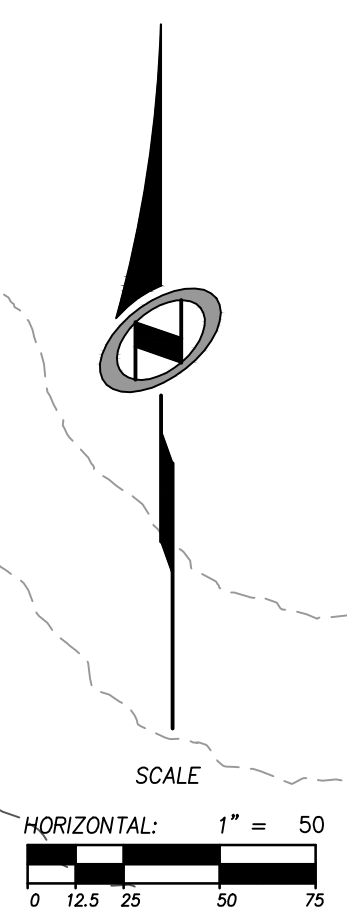
SCALE  
 VERTICAL: 1" = 40'  
 HORIZONTAL: 1" = 50'

JOB NUMBER  
**SLB079306**

DATE SUBMITTED: 11/26/2013

PREPARED FOR: SUMMIT, LLC

The engineer preparing these plans will not be responsible for, or liable for, unauthorized changes to or uses of these plans unless they are made by the engineer preparing these plans.  
 CAUTION



NO.	BY	DATE	REVISIONS

CAUTION  
 The engineer preparing these plans will not be responsible for, or liable for, unauthorized changes to or uses of these plans. Any such changes or uses must be approved by the preparer of these plans.

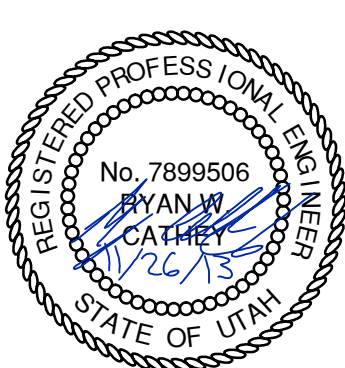
# SUMMIT EDEN PHASE 1C

## OVERALL GRADING PLAN

DATE SUBMITTED: 11/26/2013

PREPARED FOR: SUMMIT, LLC

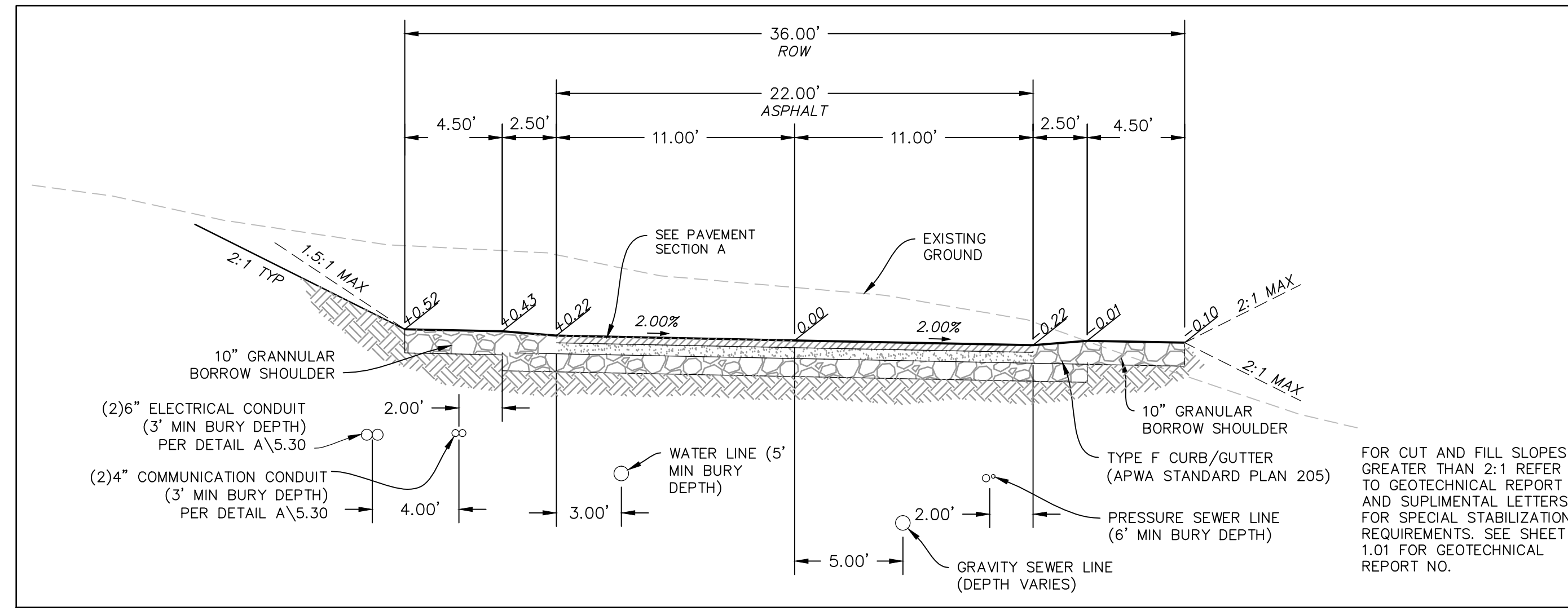
**NV5**  
 BEYOND ENGINEERING  
 6217 SOUTH STATE STREET, SUITE 200  
 MURRAY, UT 84107  
 801.743.0300 TEL. 801.743.0300 FAX  
 WWW.NV5.COM



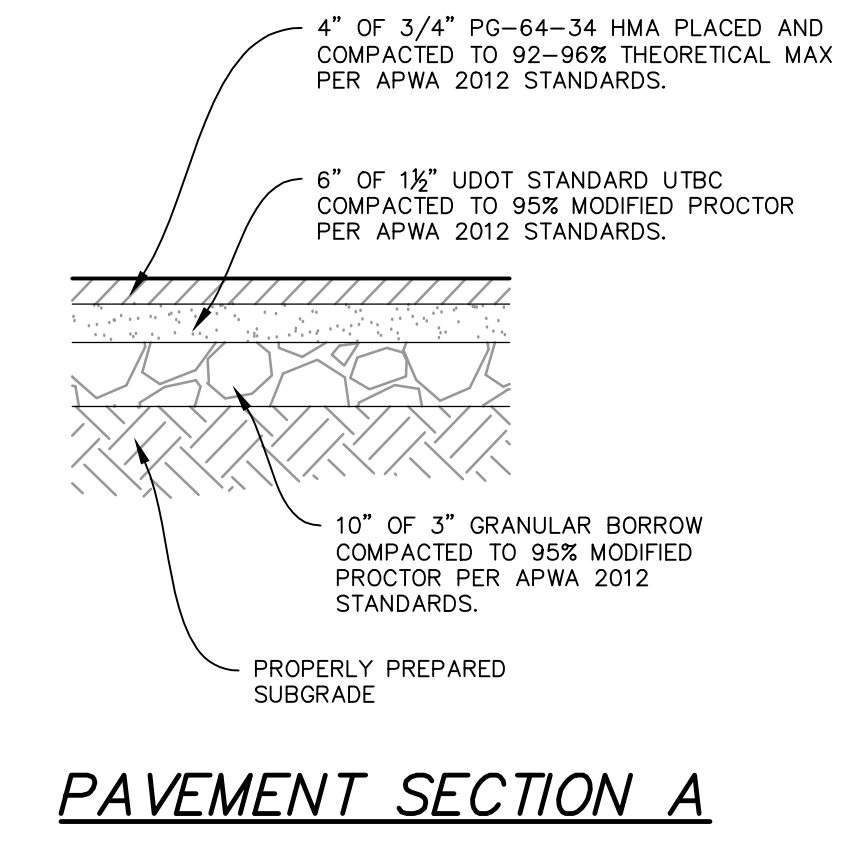
SHEET NUMBER  
**1.03**

SCALE  
 VERTICAL: 1" = 4'  
 HORIZONTAL: 1" = 40'

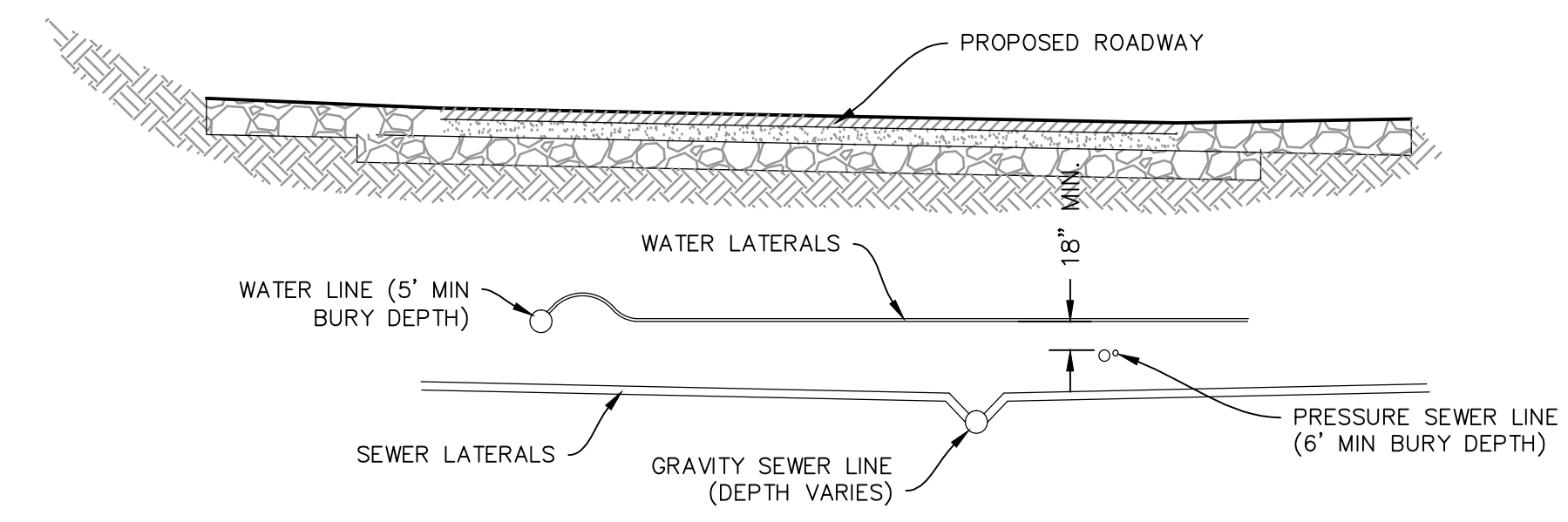
JOB NUMBER  
**SLB079306**



**TYPICAL ROADWAY SECTION A-A**  
 (36' RIGHT OF WAY SECTION)  
 STA: 10+00.00 TO 20+88.66



**PAVEMENT SECTION A**

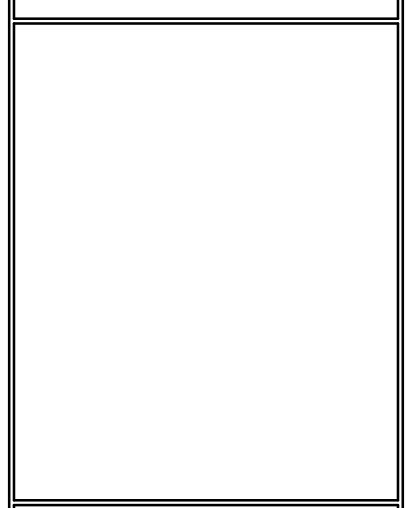


**WATER AND SEWER SEPARATION DETAIL**

NO.	BY	DATE	REVISIONS

**SUMMIT EDEN PHASE 1C**  
**ROADWAY TYPICAL SECTIONS**  
 PREPARED FOR: SUMMIT, LLC  
 DATE SUBMITTED: 11/26/2013

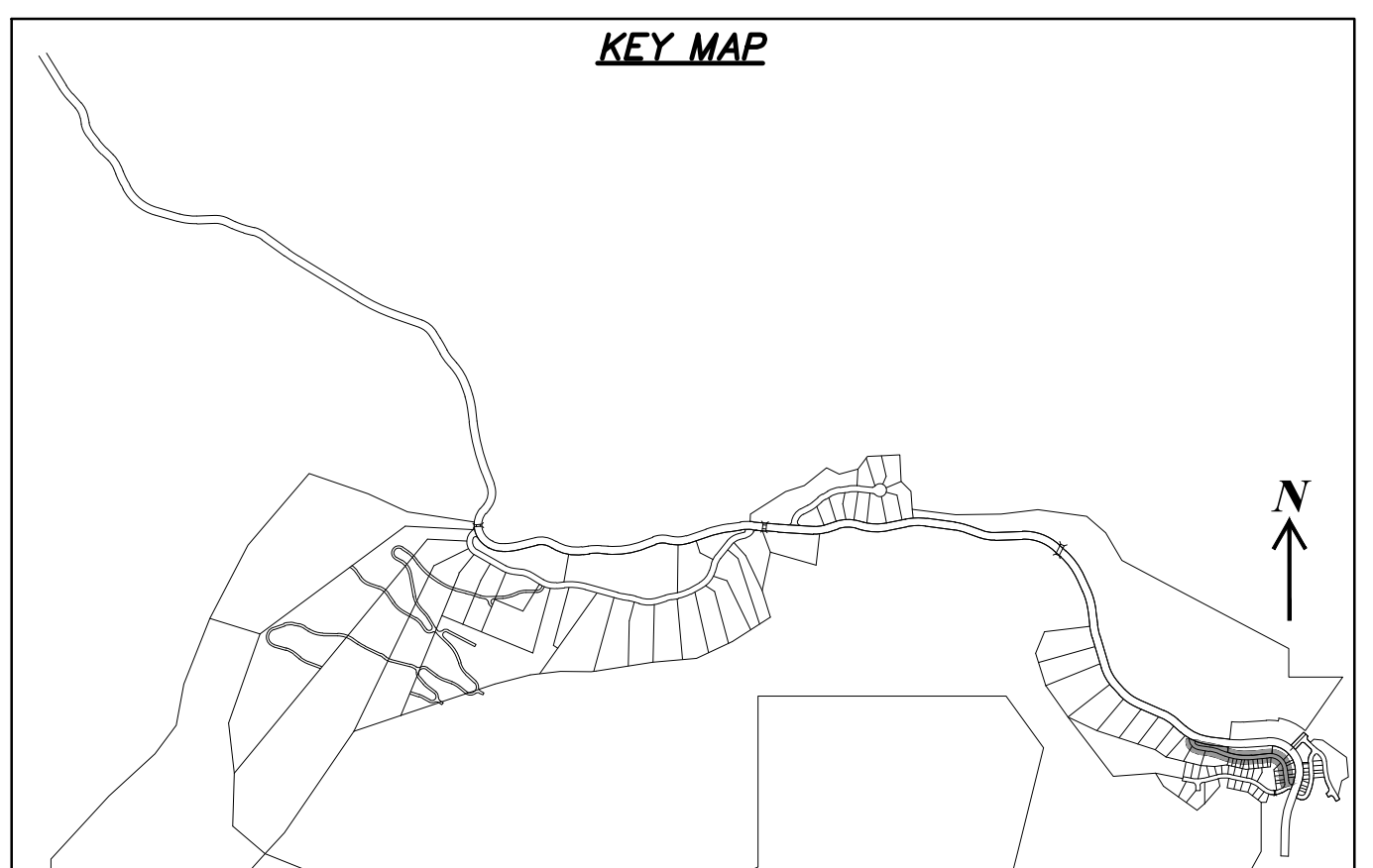
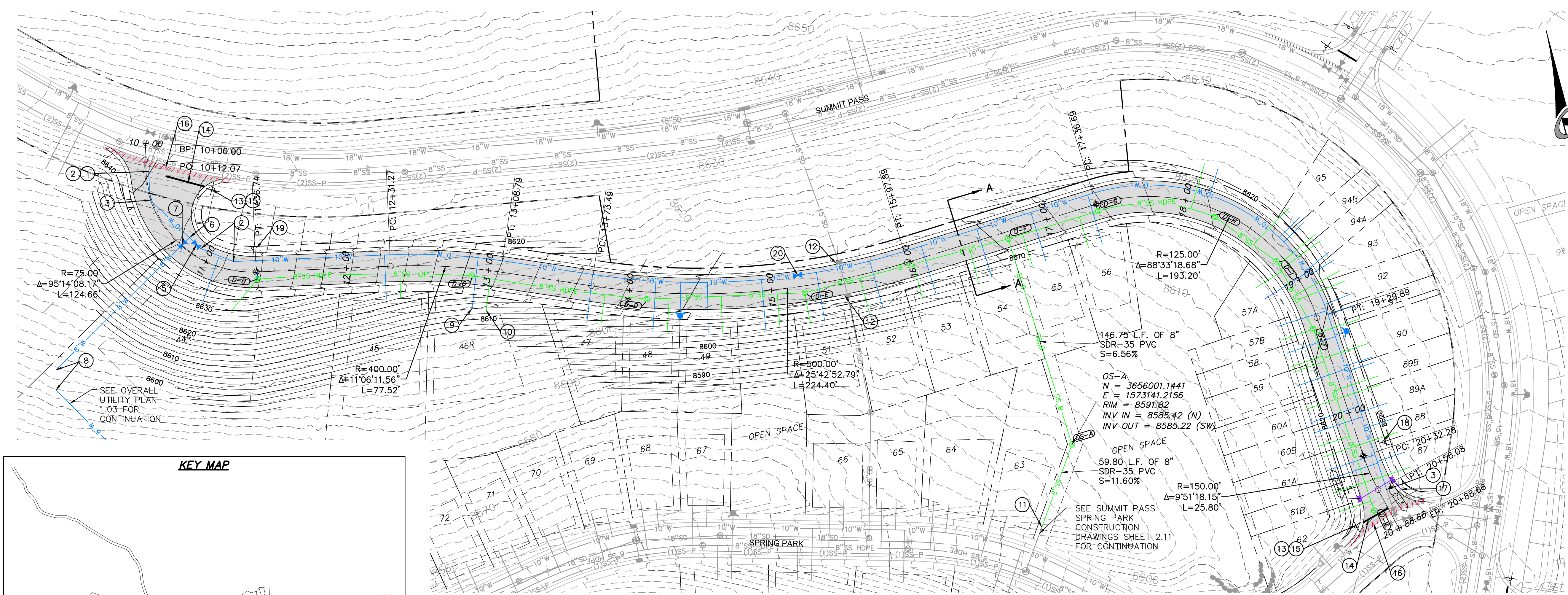
**NV5**  
 BEYOND ENGINEERING  
 6217 SOUTH STATE STREET, SUITE 200  
 MURRAY, UT 84107  
 801.743.0300 TEL. 801.743.0300 FAX  
 WWW.NV5.COM



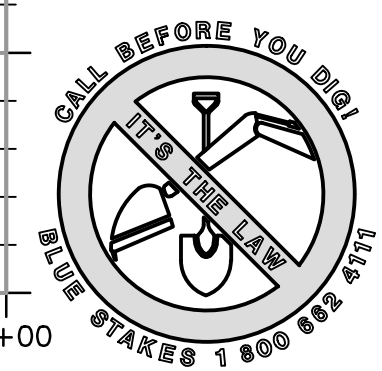
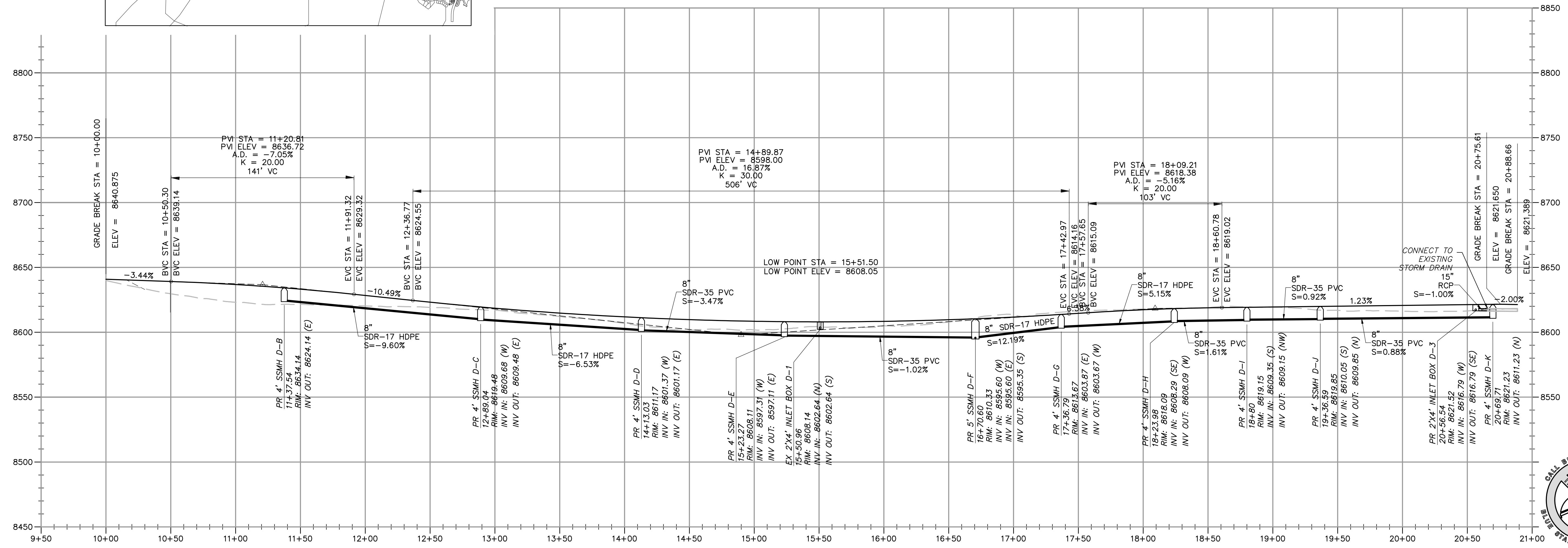
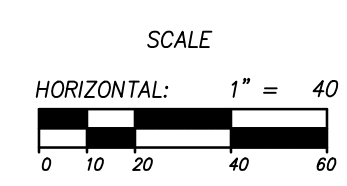
SHEET NUMBER  
**1.04**  
 SCALE  
 VERTICAL: 1" = N/A  
 HORIZONTAL: 1" = N/A  
 JOB NUMBER  
**SLB079306**



The engineer preparing these plans will not be responsible for, or liable for, unauthorized changes to or uses of these plans. Any such changes or uses must be approved by the preparer of these plans.



**COPPER CREST ROAD**  
 STA: 10+00.00 TO 28+88.66



NO.	DATE	REVISIONS

**SUMMIT EDEN PHASE 1C**  
**PLAN AND PROFILE**  
**COPPER CREST ROAD**

DATE SUBMITTED: 11/26/2013

PREPARED FOR: SUMMIT, LLC

**NV5**  
 BEYOND ENGINEERING

5217 SOUTH STATE STREET, SUITE 200  
 801743.000 TEL. 801743.000 FAX  
 MURRAY, UT 84107  
 WWW.NV5.COM

SHEET NUMBER  
**2.00**

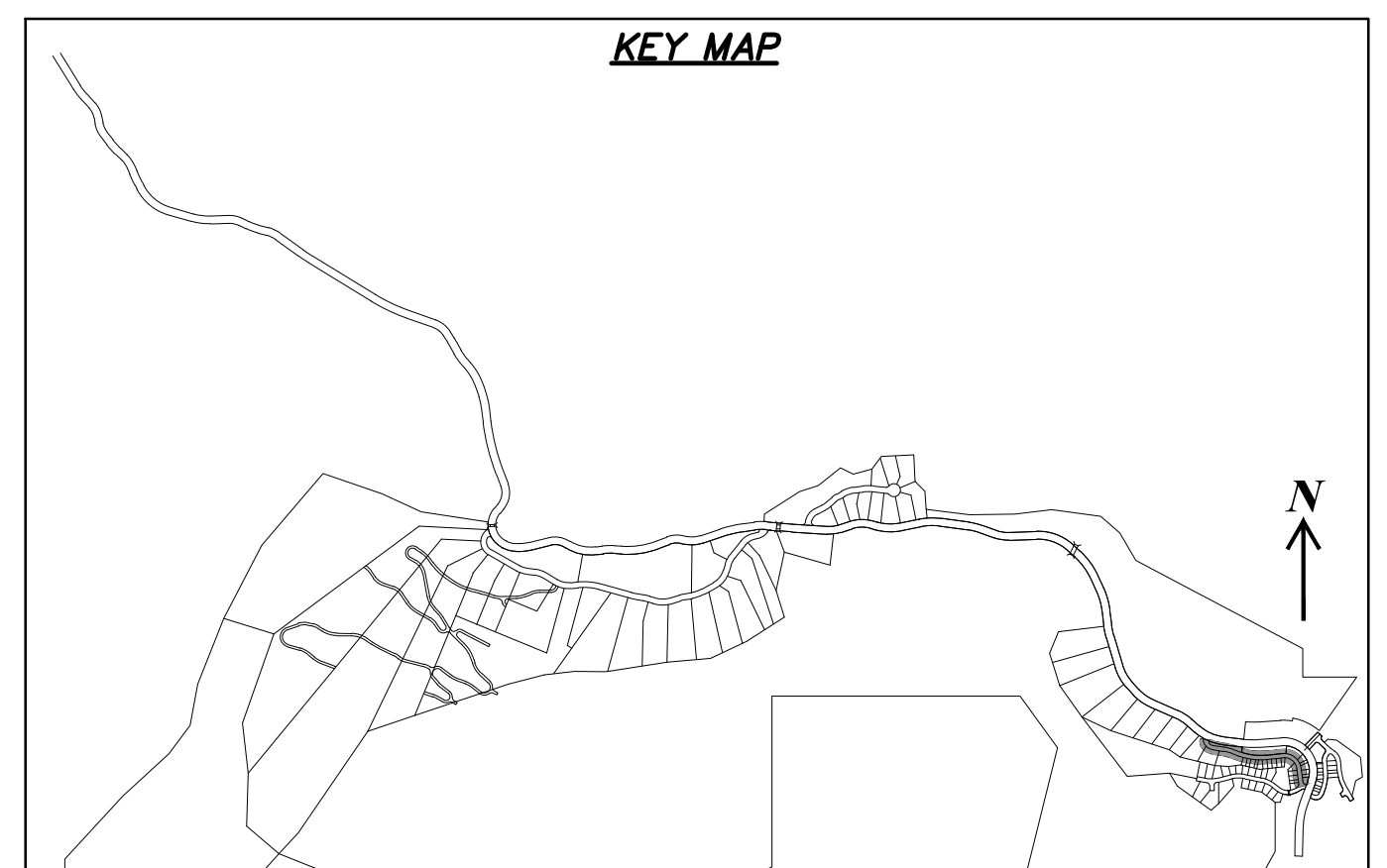
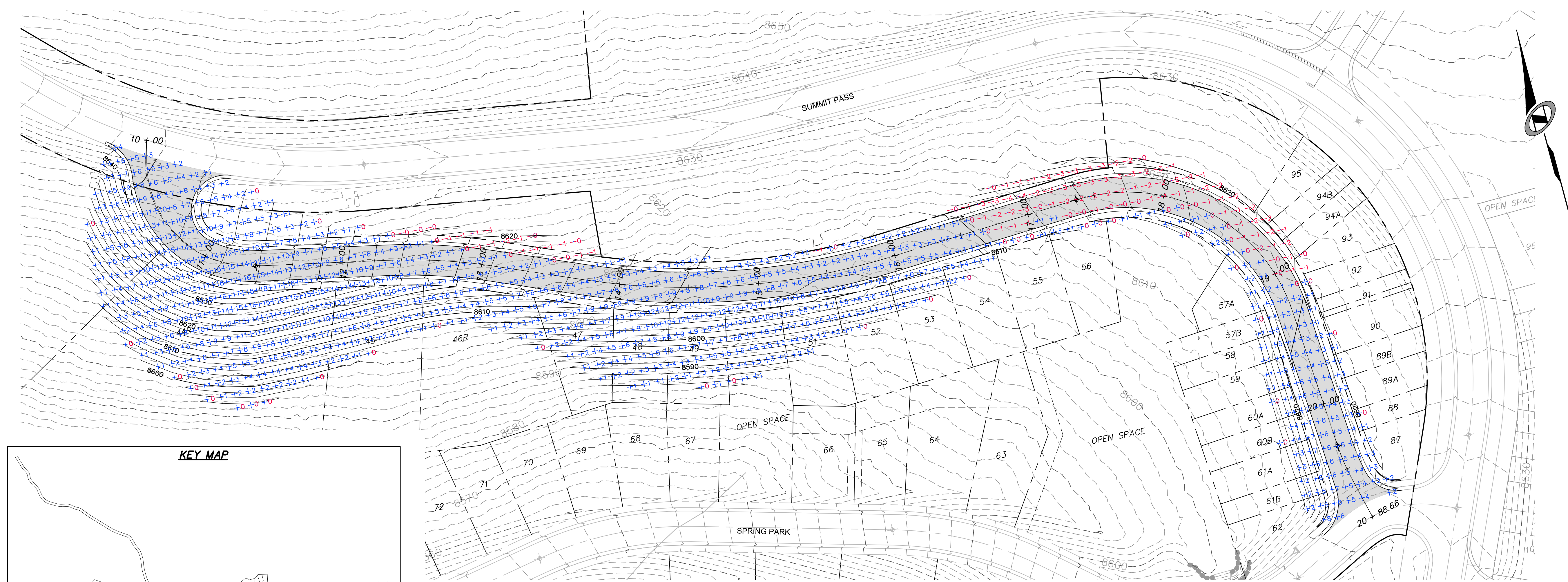
SCALE  
 VERTICAL: 1" = 40'  
 HORIZONTAL: 1" = 40'

JOB NUMBER  
**SLB079306**

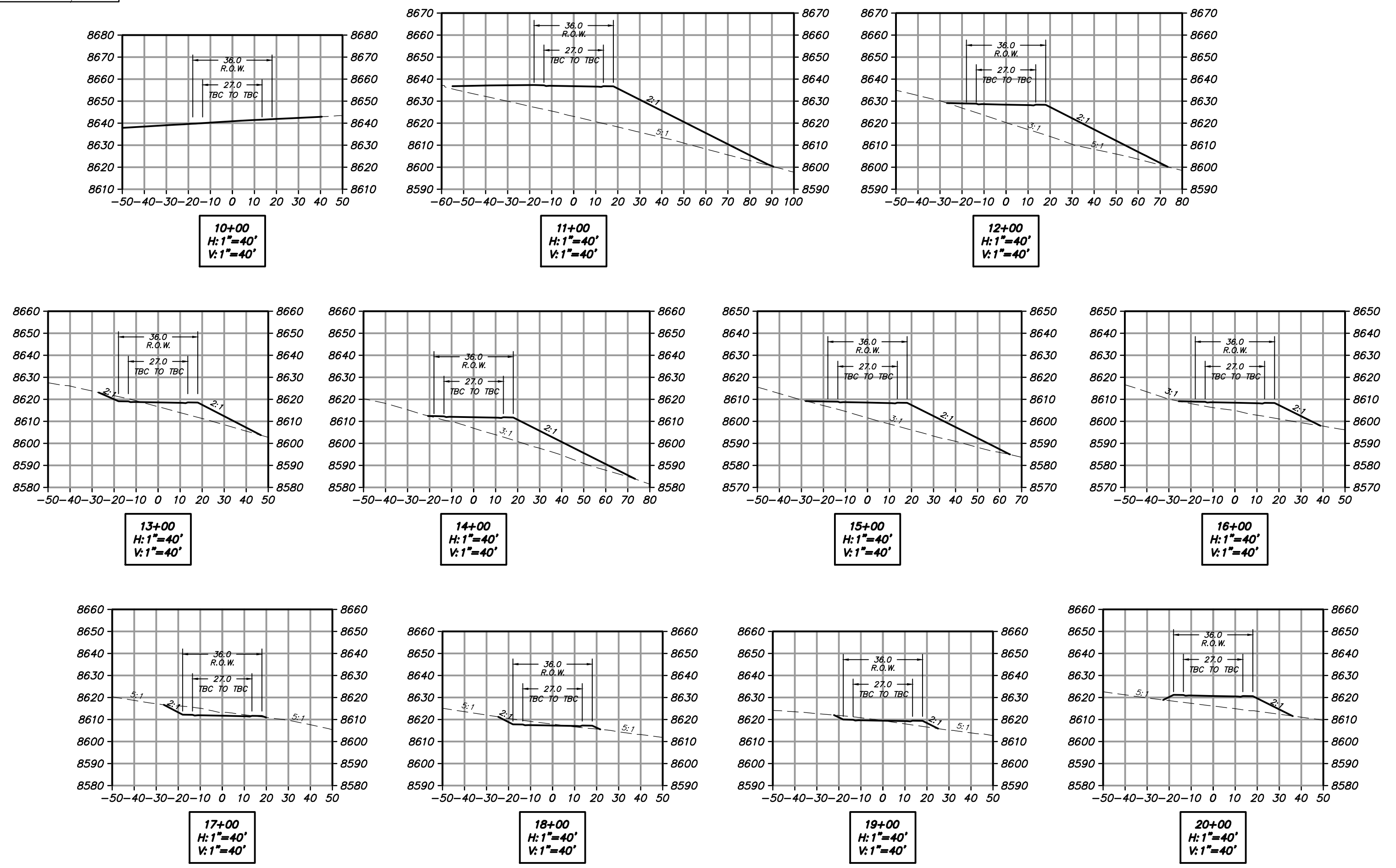
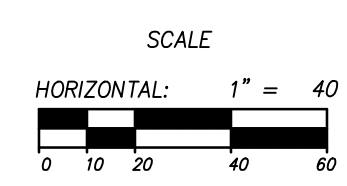
THE ENGINEER PREPARING THESE PLANS WILL NOT BE RESPONSIBLE FOR, OR LIABLE FOR, UNAUTHORIZED CHANGES TO OR USES OF THESE PLANS UNLESS THEY ARE MADE BY THE ENGINEER OR HIS EMPLOYEES.

DATE: 11/26/13 TIME: 11:21:05 AM DRAWING NAME: P23000F.DWG  
 NONE PAGE SETUP: P23-00-24-08 LAYOUT: 1  
 SERVER: N:\SLB07930\CAD\PHASE 1\DWG\1-C\23000F.DWG  
 PATH: N:\SLB07930\CAD\PHASE 1\DWG\1-C\23000F.DWG

BOWDEN  
 XREFS:



**COPPER CREST ROAD**  
 STA: 10+00.00 TO 28+88.66



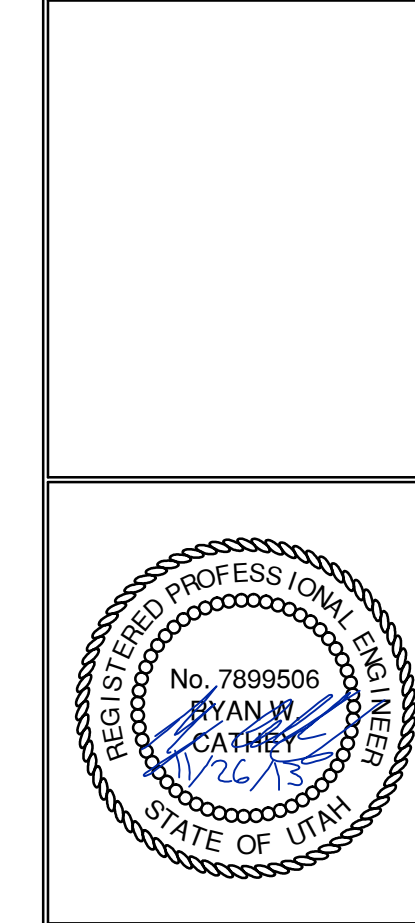
NO.	BY	DATE	REVISIONS

**SUMMIT EDEN PHASE 1C**  
**EARTHWORK AND SECTIONS**  
**COPPER CREST ROAD**

DATE SUBMITTED: 11/26/2013

PREPARED FOR: SUMMIT, LLC

**NV5**  
 BEYOND ENGINEERING  
 527 SOUTH STATE STREET, SUITE 200  
 801743.000 TEL. 801743.000 FAX  
 MURRAY, UT 84107  
 WWW.NV5.COM



SHEET NUMBER  
**3.00**

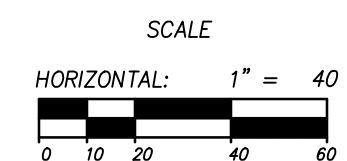
SCALE  
 VERTICAL: 1" = 40'  
 HORIZONTAL: 1" = 40'

JOB NUMBER  
**SLB079306**

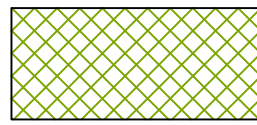
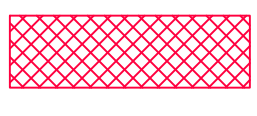




CAUTION  
 The engineer preparing these plans will not be responsible for, or liable for, unauthorized changes to or uses of these plans, and must be approved by the preparer of these plans.



**COPPER CREST ROAD**  
 STA: 10+00.00 TO 28+88.66



**LEGEND**

-  HATCHING INDICATES AREAS TO RECEIVE 4" TOPSOIL AND TO BE SEED FOR NATURAL VEGETATION\*. AREAS RECEIVING SEEDING FOR NATURAL VEGETATION MUST BE COVERED WITH AN EROSION CONTROL BLANKET AFTER THE FINAL GRADING AND SEEDING ARE FINISHED. INSTALL NORTH AMERICAN GREEN SC-150 BLANKET OR APPROVED EQUAL. FOLLOW MANUFACTURER'S SPECIFICATIONS. INSTALL NORTH AMERICAN GREEN P300 EROSION CONTROL BLANKET ON ALL SLOPES GREATER THAN 1.5:1.
-  INSTALL 15' X 50' VEHICLE WASH DOWN AREA WITH 1"-2.5" COARSE AGGREGATE PLACED A MINIMUM 8" THICK. SUPPLY WATER FOR VEHICLE WASH DOWN.
-  STABILIZED CONSTRUCTION ENTRANCE FOR SITE INGRESS/EGRESS. IF ALTERNATE ACCESS POINTS ARE APPROVED BY OWNER, ADDITIONAL STABILIZED CONSTRUCTION ENTRANCES WILL BE REQUIRED.
-  INSTALL INLET PROTECTION IN FORM OF CONCRETE BLOCKS / FILTER CLOTH / GRAVEL OR SILT SACK AT EXISTING AND PROPOSED CATCH BASINS AS SHOWN ON PLAN.
-  INSTALL SILT FENCE ALONG DOWN GRADIENT LIMITS OF DISTURBANCE AS SHOWN ON PLAN.
-  INSTALL ORANGE SAFETY FENCING AROUND OUTER LIMITS OF PROJECT PRIOR TO GRADING.

- \* SEED MIXTURE FOR REVEGETATION
- a. MEADOW BROME (RIGOR) 14lb/ac
  - b. ORCHARD GRASS 10lb/ac
  - c. ALFALFA (ADAK) 4lb/ac



NO.	BY	DATE	REVISIONS

**SUMMIT EDEN PHASE 1C**  
**EROSION CONTROL PLAN**  
**COPPER CREST ROAD**

PREPARED FOR: SUMMIT, LLC

DATE SUBMITTED: 11/26/2013

**NV5**  
 BEYOND ENGINEERING

527 SOUTH STATE STREET, SUITE 200  
 801743.000 TEL. 801743.000 FAX  
 MURRAY, UT 84107  
 WWW.NV5.COM

REGISTERED PROFESSIONAL ENGINEER  
 No. 7899506  
 BYAN W. CATHEY  
 11/26/13  
 STATE OF UTAH

SHEET NUMBER  
**4.00**

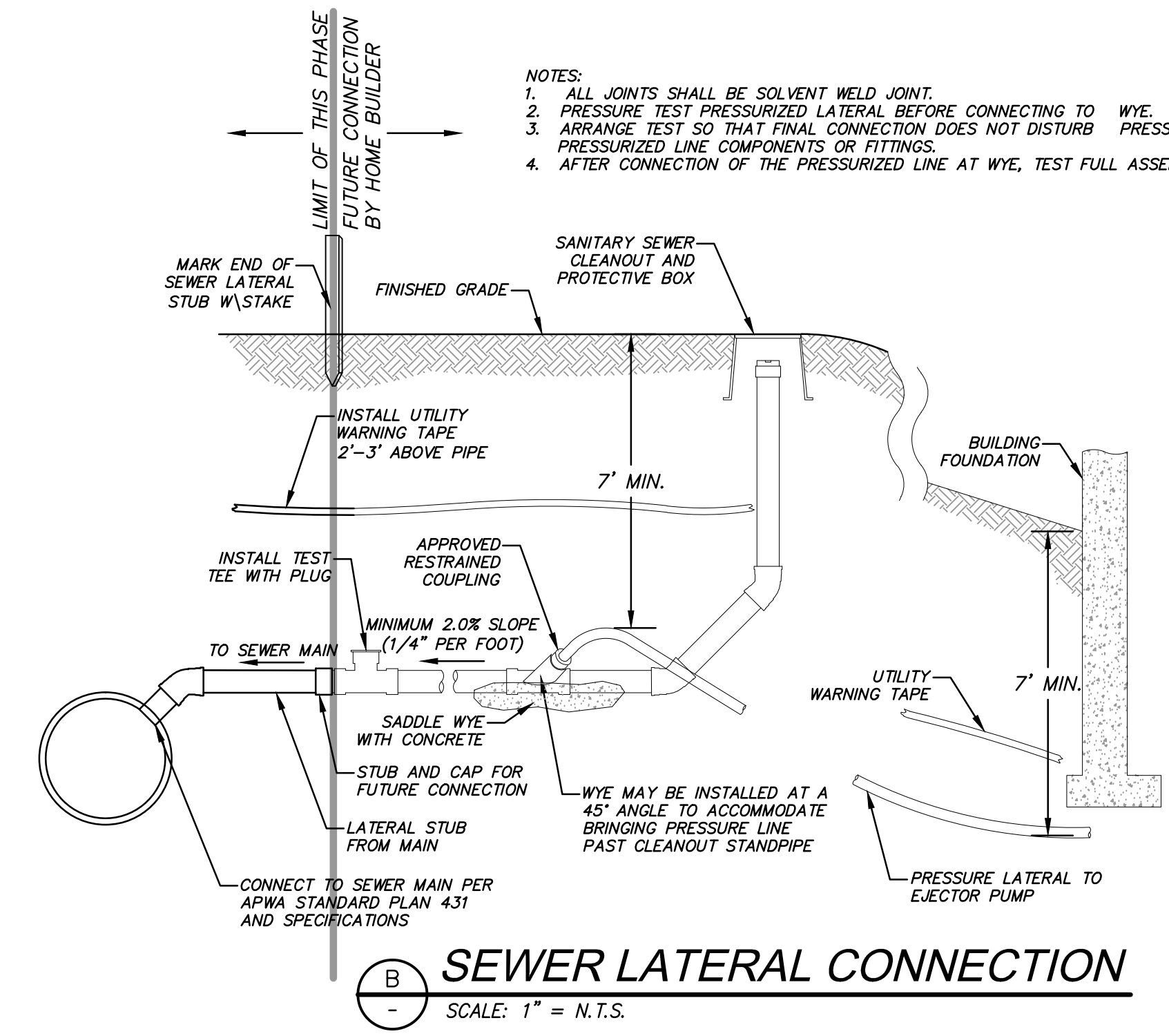
SCALE  
 VERTICAL: 1" = 40'  
 HORIZONTAL: 1" = 40'

JOB NUMBER  
**SLB079306**

The engineer preparing these plans will not be responsible for, or liable for, unauthorized changes to or uses of these plans, and must be approved by the preparer of these plans.

CAUTION





- NOTES:  
 1. ALL JOINTS SHALL BE SOLVENT WELD JOINT.  
 2. PRESSURE TEST PRESSURIZED LATERAL BEFORE CONNECTING TO WYE.  
 3. ARRANGE TEST SO THAT FINAL CONNECTION DOES NOT DISTURB PRESSURE TEST, PRESSURIZED LINE COMPONENTS OR FITTINGS.  
 4. AFTER CONNECTION OF THE PRESSURIZED LINE AT WYE, TEST FULL ASSEMBLY TO 5 PSI.

**SUMMIT EDEN PHASE 1C**  
**SEWER DETAILS**

NO.	BY	DATE	REVISIONS

CUTION  
 The engineer preparing these plans will not be responsible for, or liable for, unauthorized changes to or uses of these plans. Any such changes or uses must be approved by the preparer of these plans.

DATE SUBMITTED: 11/26/2013

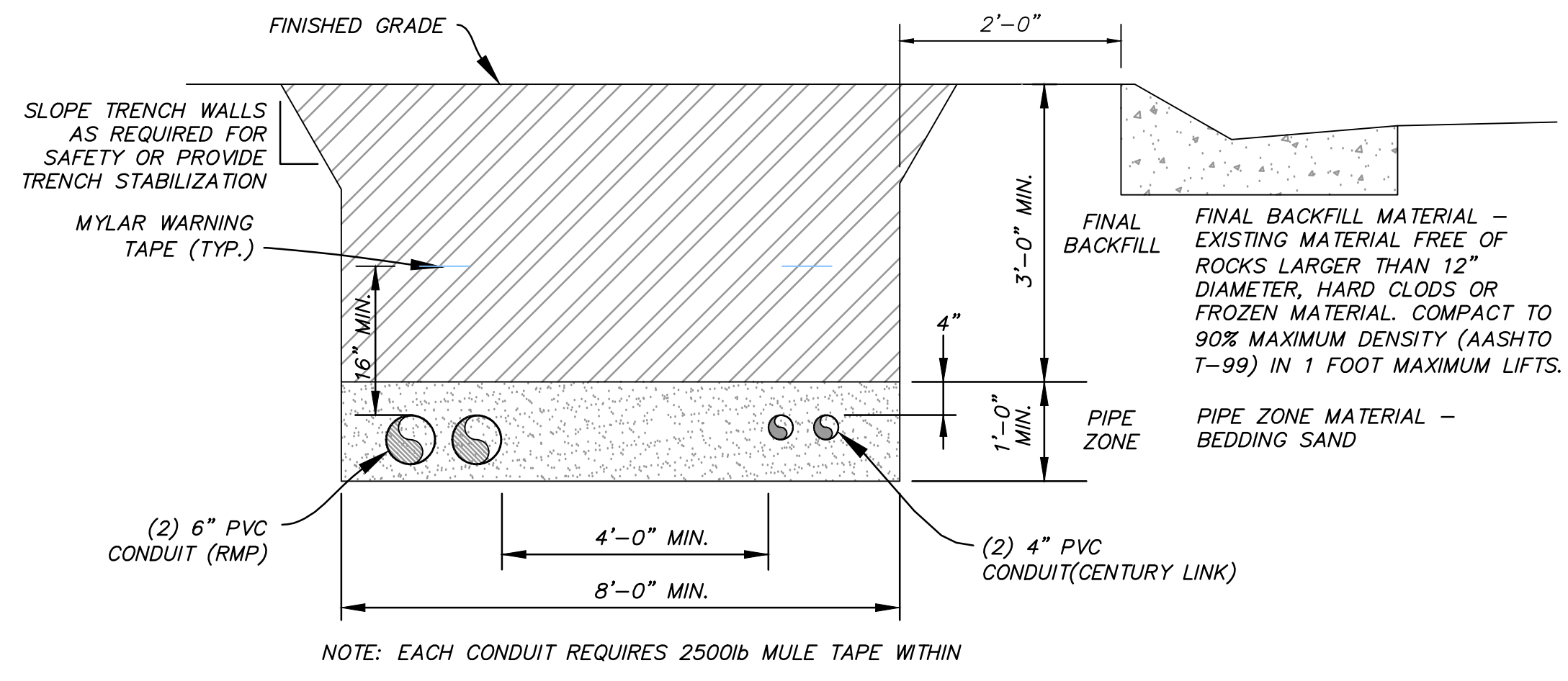
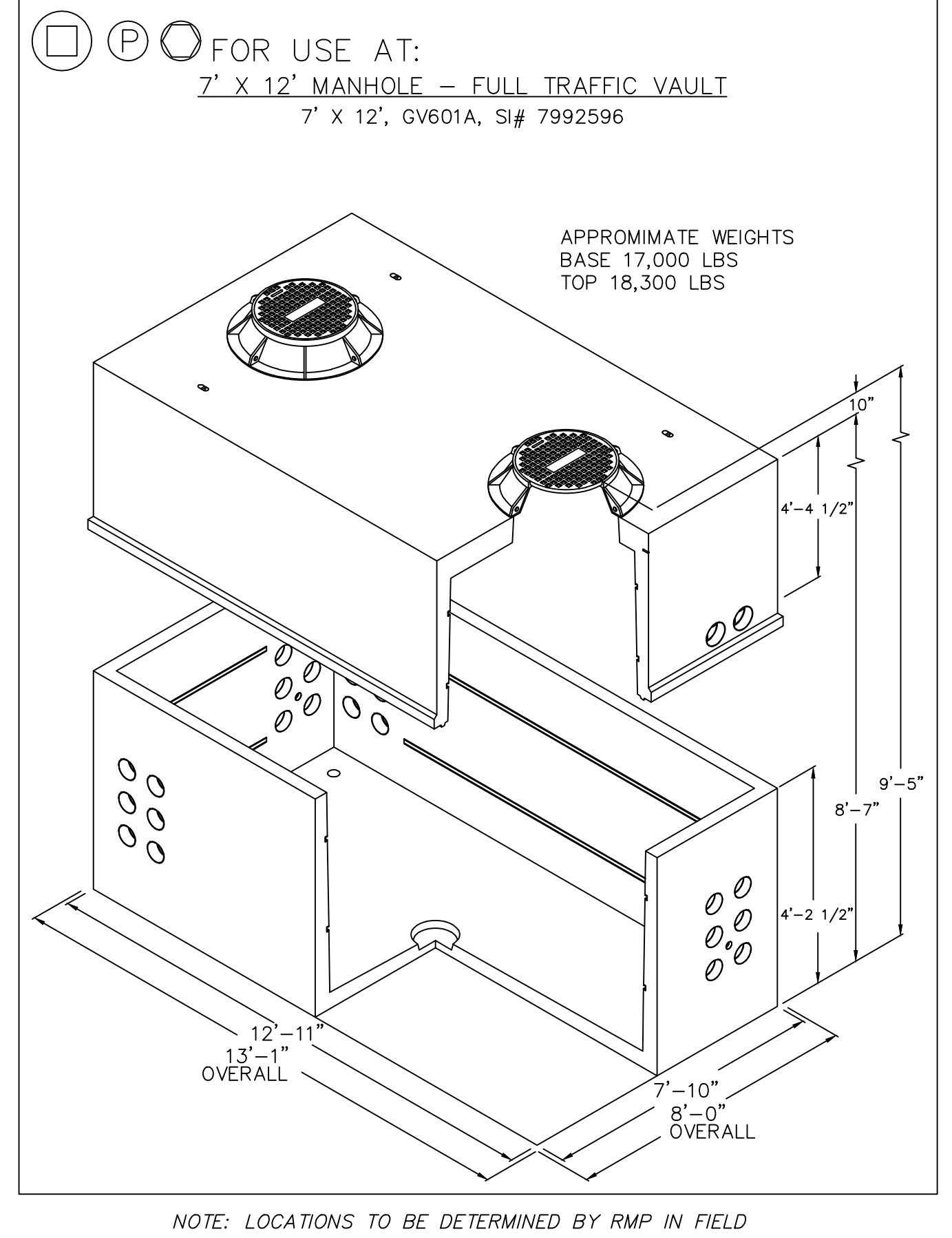
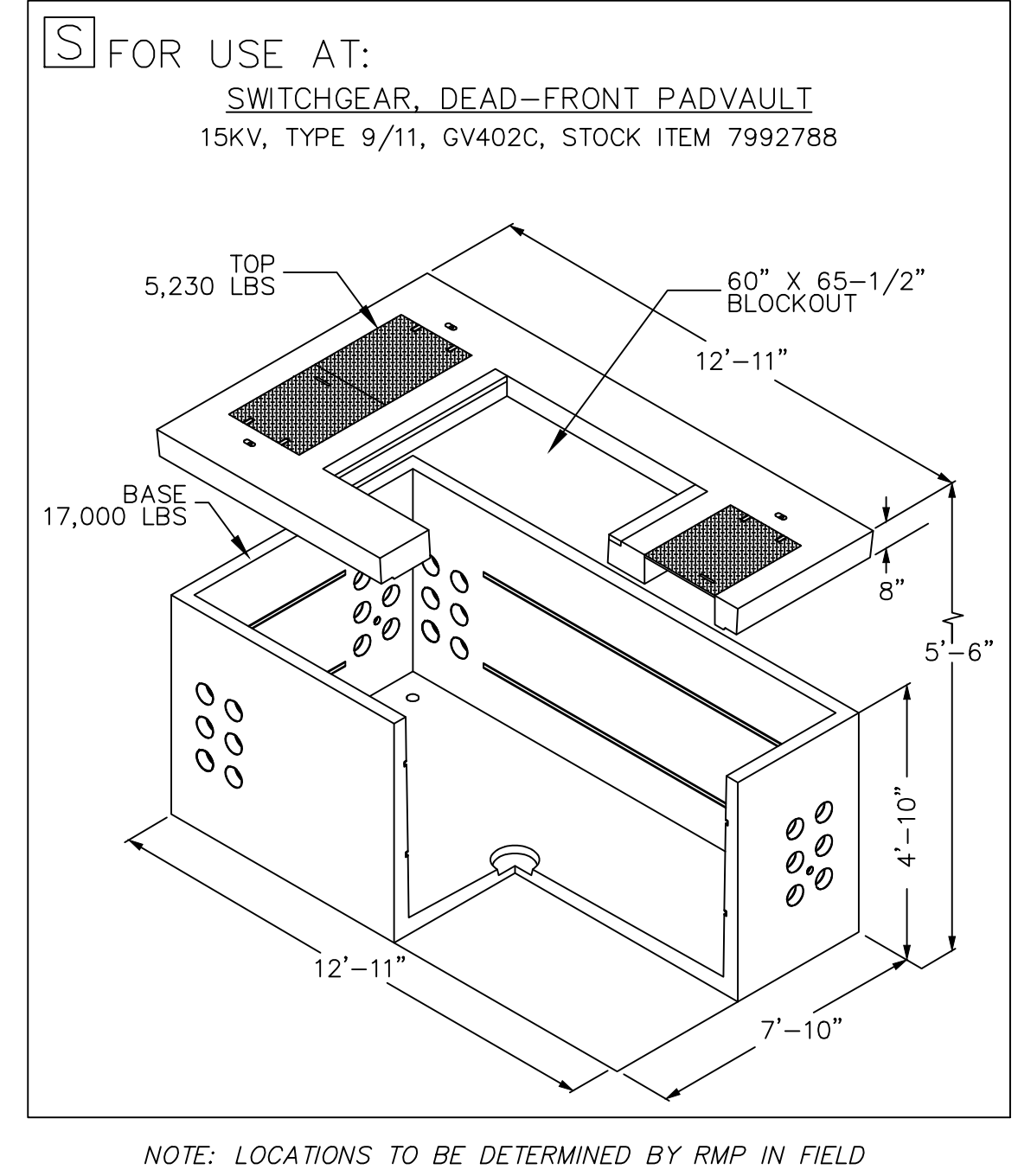
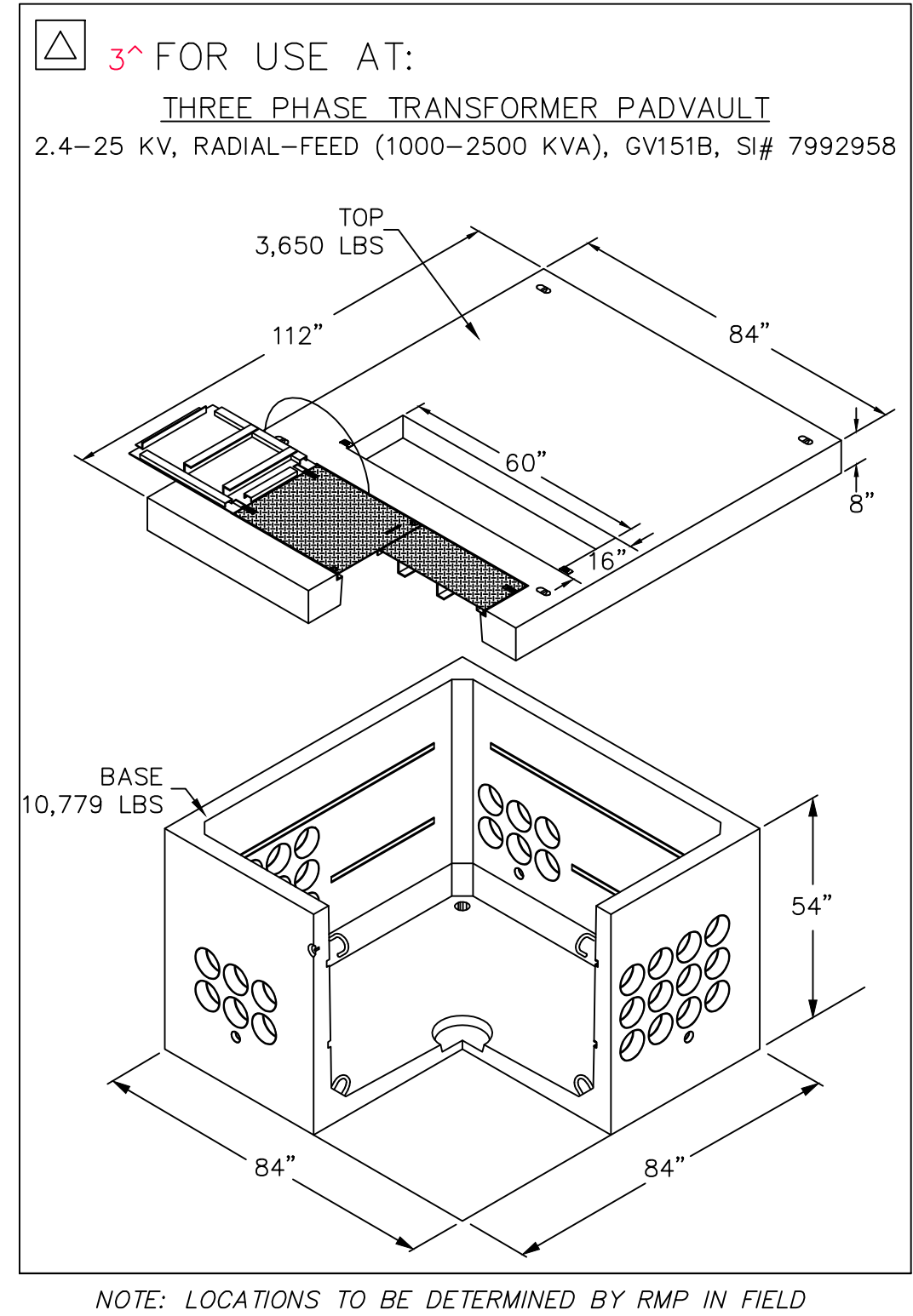
PREPARED FOR: SUMMIT, LLC

**NV5**  
 BEYOND ENGINEERING  
 5217 SOUTH STATE STREET, SUITE 200  
 MURRAY, UT 84107  
 801.743.0300 TEL. 801.743.0300 FAX  
 WWW.NV5.COM

REGISTERED PROFESSIONAL ENGINEER  
 No. 7899506  
 BYAN W. CATHREY  
 11/26/13  
 STATE OF UTAH



SHEET NUMBER	<b>5.00</b>
SCALE	VERTICAL: 1" = N/A HORIZONTAL: 1" = N/A
JOB NUMBER	<b>SLB079306</b>



**POWER CONDUIT TRENCH**

**SUMMIT EDEN PHASE 1C**  
**ELECTRICAL DETAILS**

NO.	BY	DATE	REVISIONS

PREPARED FOR: SUMMIT, LLC  
 DATE SUBMITTED: 11/26/2013

**NV5**  
 BEYOND ENGINEERING  
 5217 SOUTH STATE STREET, SUITE 200  
 801743.000 TEL. 801743.000 FAX  
 MURRAY, UT 84107  
 WWW.NV5.COM

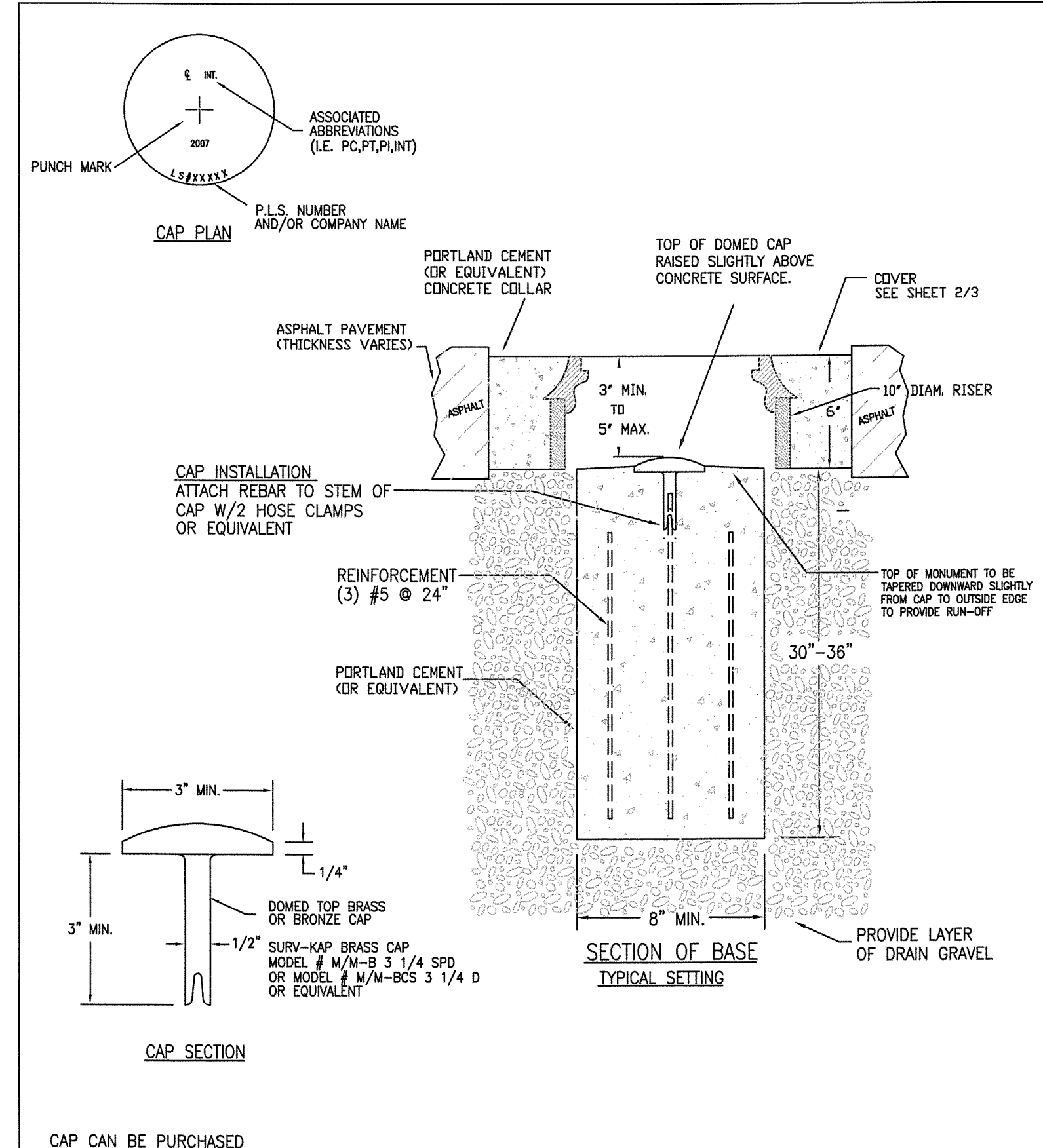
REGISTERED PROFESSIONAL ENGINEER  
 No. 7899506  
 BYAN W. CATHY  
 11/26/13  
 STATE OF UTAH

SHEET NUMBER  
**5.10**

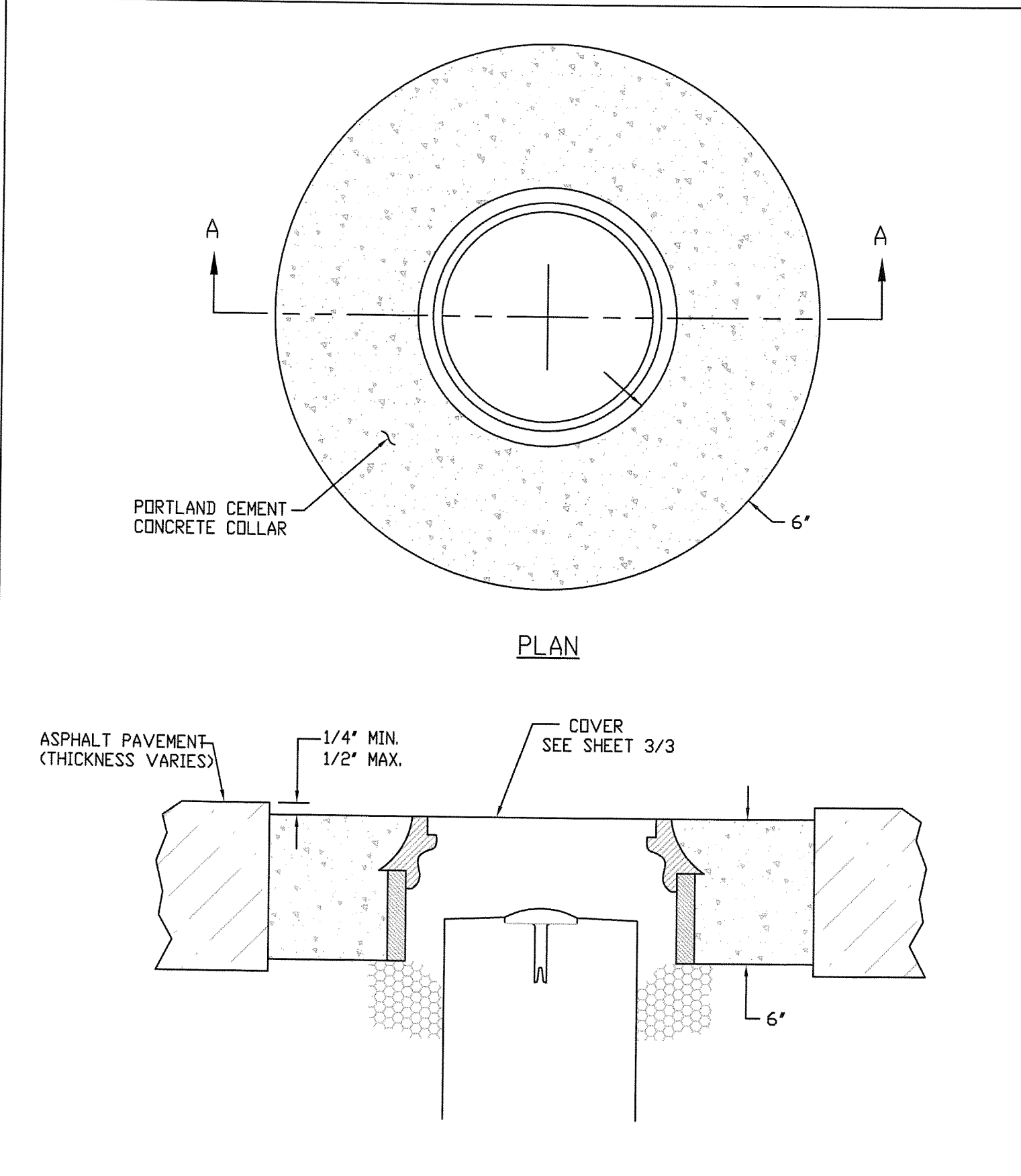
SCALE  
 VERTICAL: 1" = N/A  
 HORIZONTAL: 1" = N/A

JOB NUMBER  
**SLB079306**

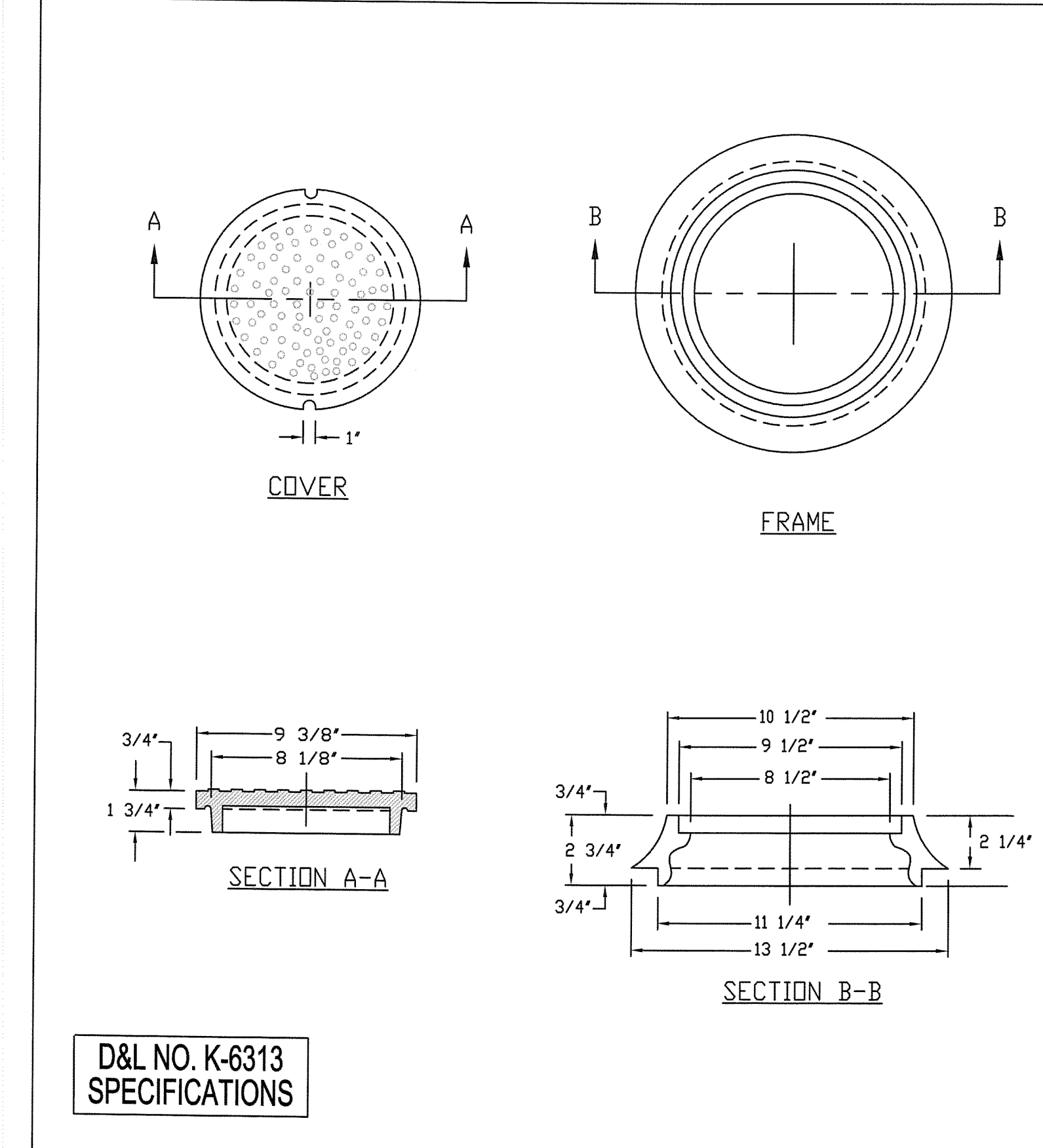




WEBER COUNTY SURVEY OFFICE	RING & LID SURVEY MONUMENT	STANDARD PLANS
		Monument Standard
3/28/10	399-8020	SHEET 1 OF 3



WEBER COUNTY SURVEY OFFICE	Cover Collar For Survey Monuments	STANDARD PLANS
		Monument Specifications
3/28/10	399-8020	SHEET 2 OF 3



WEBER COUNTY SURVEY OFFICE	RING & LID SURVEY MONUMENT	STANDARD PLANS
		Monument Specifications
3/28/10	399-8020	SHEET 3 OF 3

NO.	BY	DATE	REVISIONS

SUMMIT EDEN PHASE 1C  
 MISCELLANEOUS DETAILS  
 PREPARED FOR: SUMMIT, LLC  
 DATE SUBMITTED: 11/26/2013

**NV5**  
 BEYOND ENGINEERING  
 627 SOUTH STATE STREET, SUITE 200  
 801743.000 TEL 801743.000 FAX  
 MURRAY, UT 84107  
 WWW.NV5.COM

SHEET NUMBER <b>5.20</b>
SCALE VERTICAL: 1" = N/A HORIZONTAL: 1" = N/A
JOB NUMBER <b>SLB079306</b>

