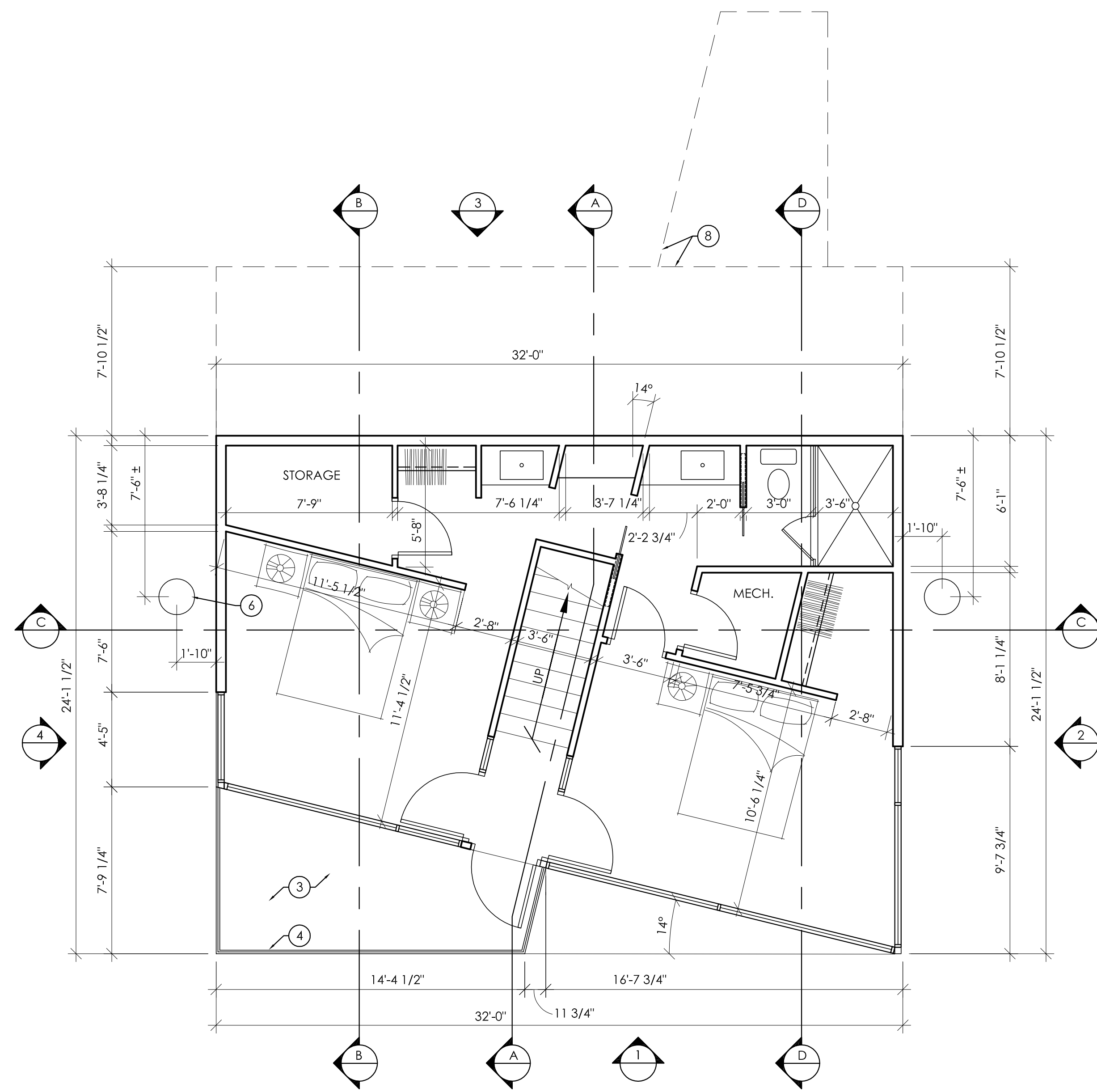


MAIN LEVEL
1/4"=1'-0"



LOWER LEVEL
1/4"=1'-0"

- KEYED NOTES:**
- ① FIREPLACE
 - ② MOVABLE COUNTER AND COUNTERTOP
 - ③ EXTERIOR DECK
 - ④ EXTERIOR HANDRAIL
 - ⑤ CONCRETE GANGPLANK
 - ⑥ STEEL COLUMN, TYP.
 - ⑦ ENTRY SHELTER
 - ⑧ OUTLINE OF STRUCTURE ABOVE

**SUMMIT
RIDGE NEST 1**
POWDER MOUNTAIN
EDEN, UT 84310

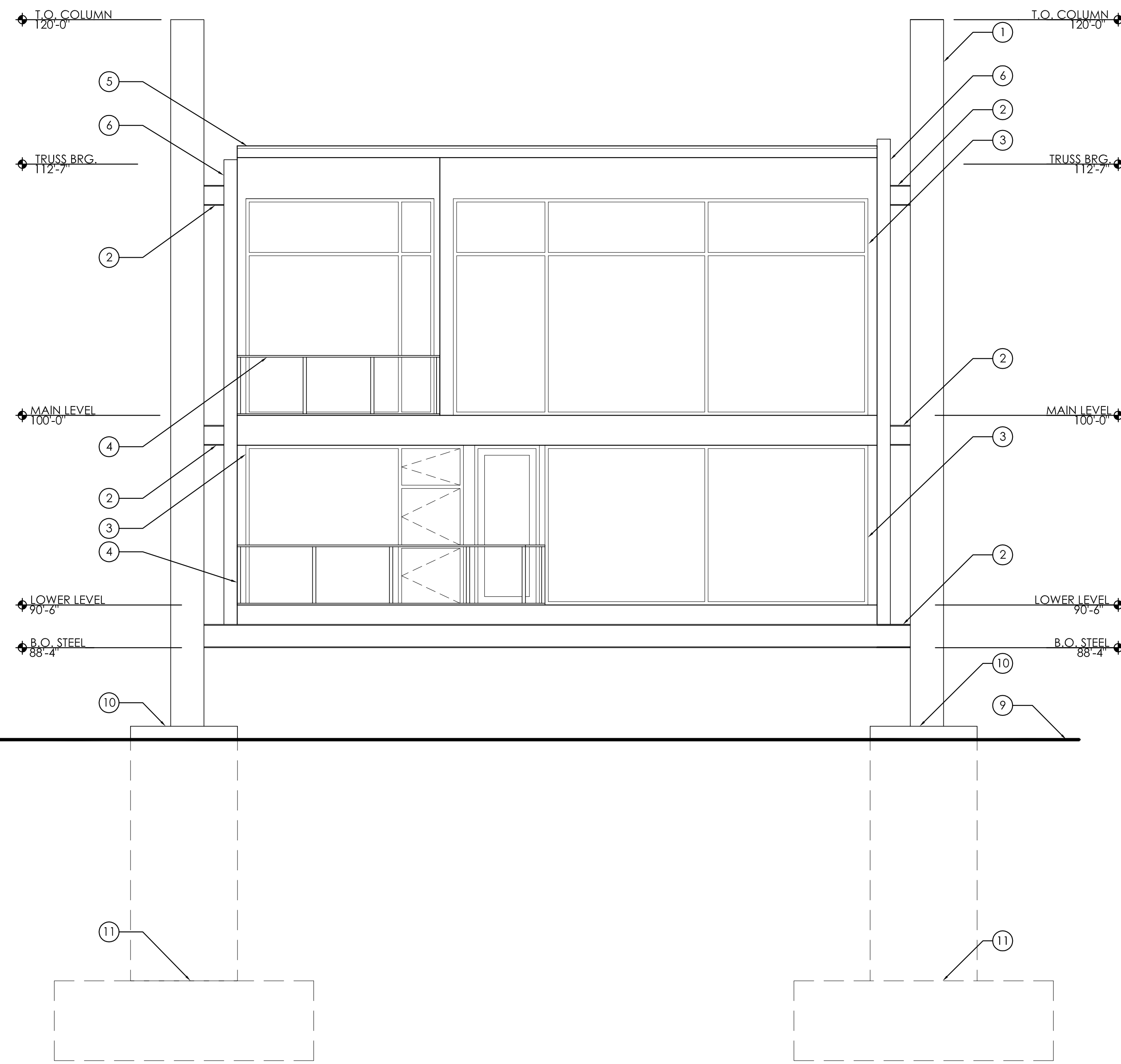
| | |
|--|--|
| | |
| | |
| | |

| REV. | DATE |
|------|------|
| | |
| | |
| | |

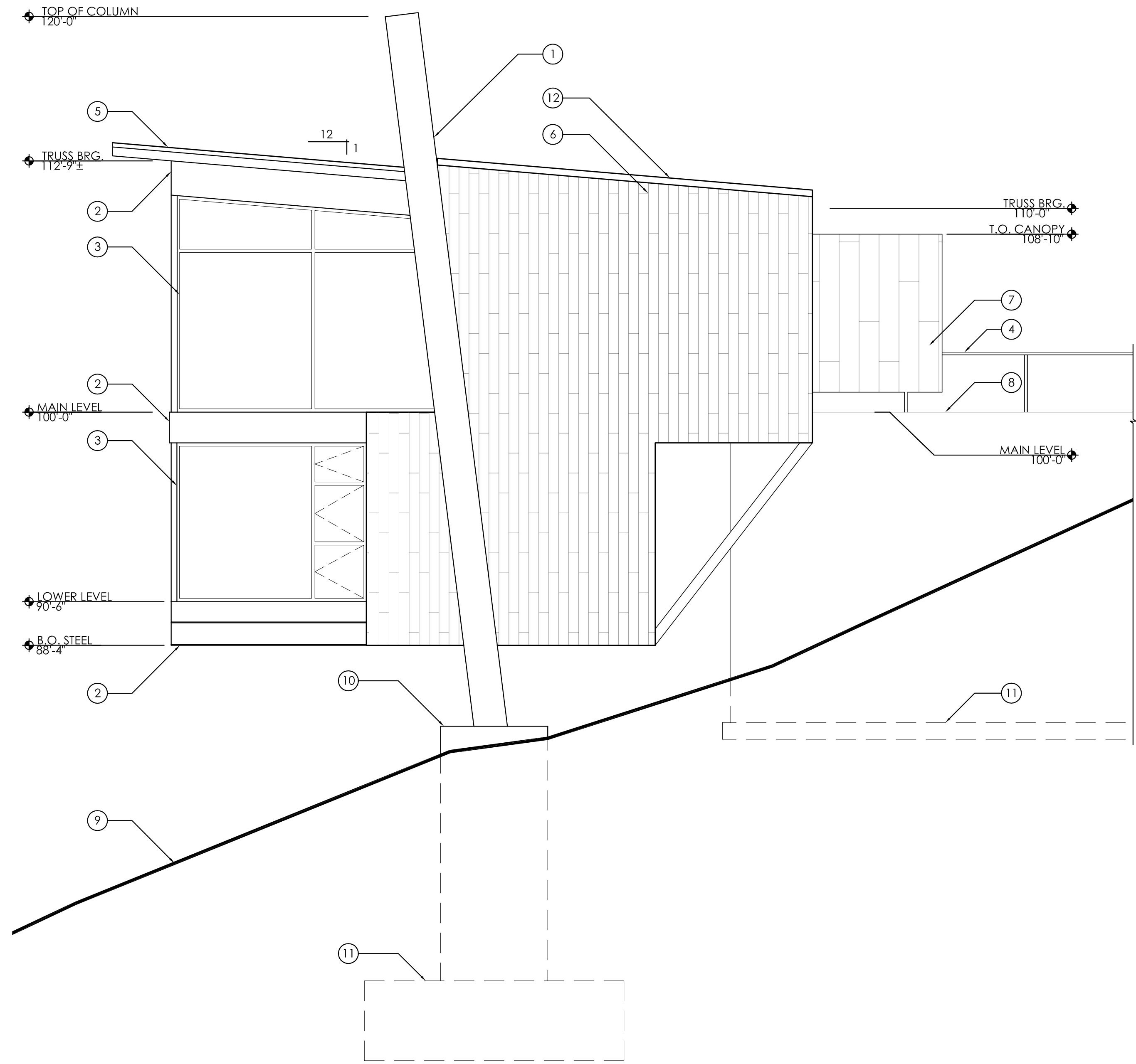
PROJECT # 1319
DATE: 8/22/13
TITLE:

SHEET:

THIS DOCUMENT IS THE PROPERTY OF BERTOLDI ARCHITECTS © 2013.



ELEVATION 1
1/4"=1'-0"



ELEVATION 2
1/4"=1'-0"

- KEYED NOTES:
- ① STEEL COLUMN, TYP.
 - ② STEEL BEAM, TYP.
 - ③ ALUMINUM WINDOW SYSTEM
 - ④ EXTERIOR HANDRAIL/GUARD, TYP.
 - ⑤ METAL ROOF/FASCIA, TYP.
 - ⑥ WOOD SIDING, TYP.
 - ⑦ METAL CLADDING, TYP.
 - ⑧ CONCRETE GANGPLANK
 - ⑨ EXISTING GRADE: VARIES
 - ⑩ CONCRETE FOOTING
 - ⑪ CONCRETE FOUNDATION
 - ⑫ METAL CAP

**SUMMIT
RIDGE NEST 1**
POWDER MOUNTAIN
EDEN, UT 84310

| REV. | DATE |
|------|------|
| | |
| | |
| | |

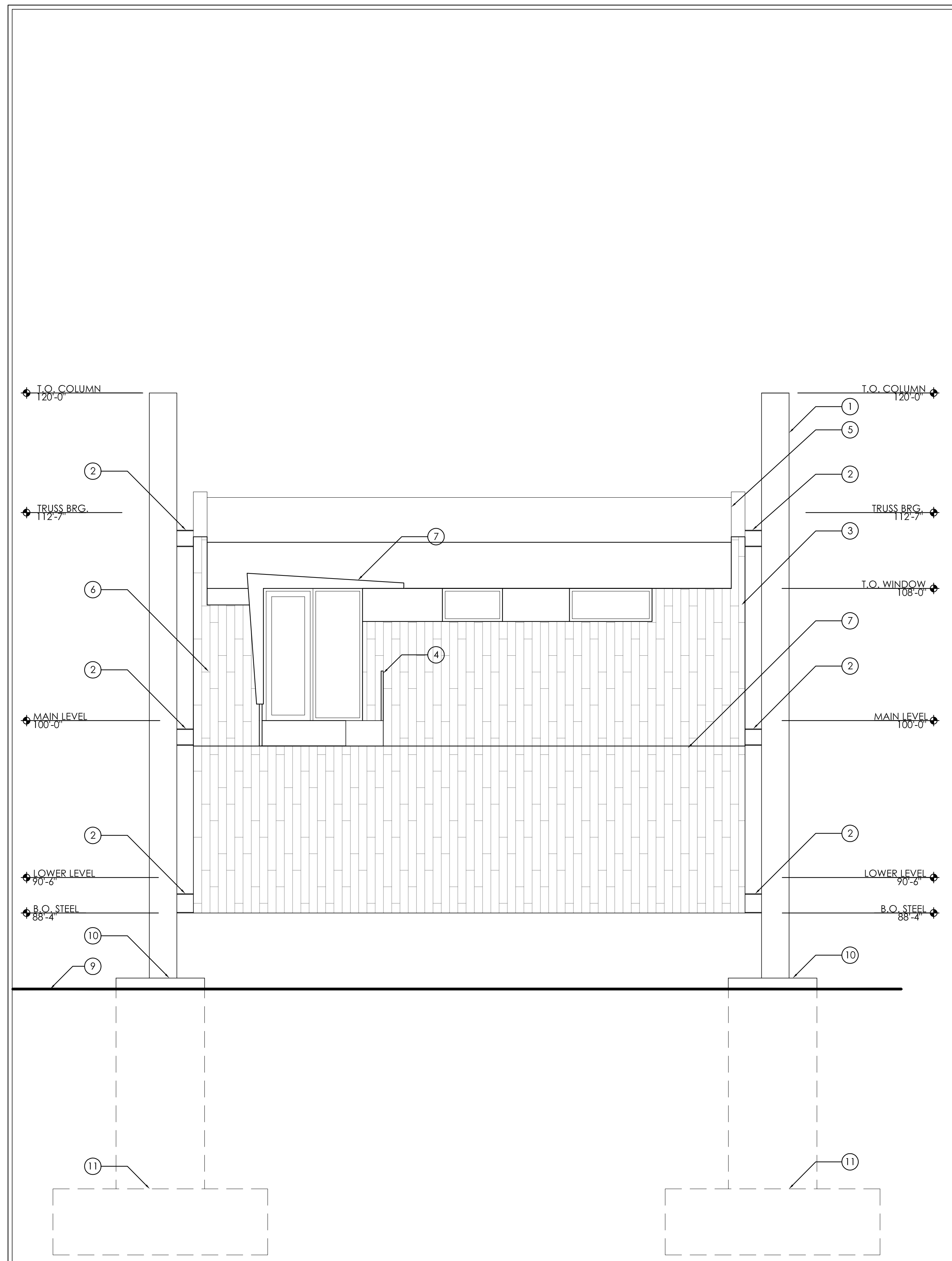
PROJECT # 1319
DATE: 8/22/13
TITLE:

SHEET:

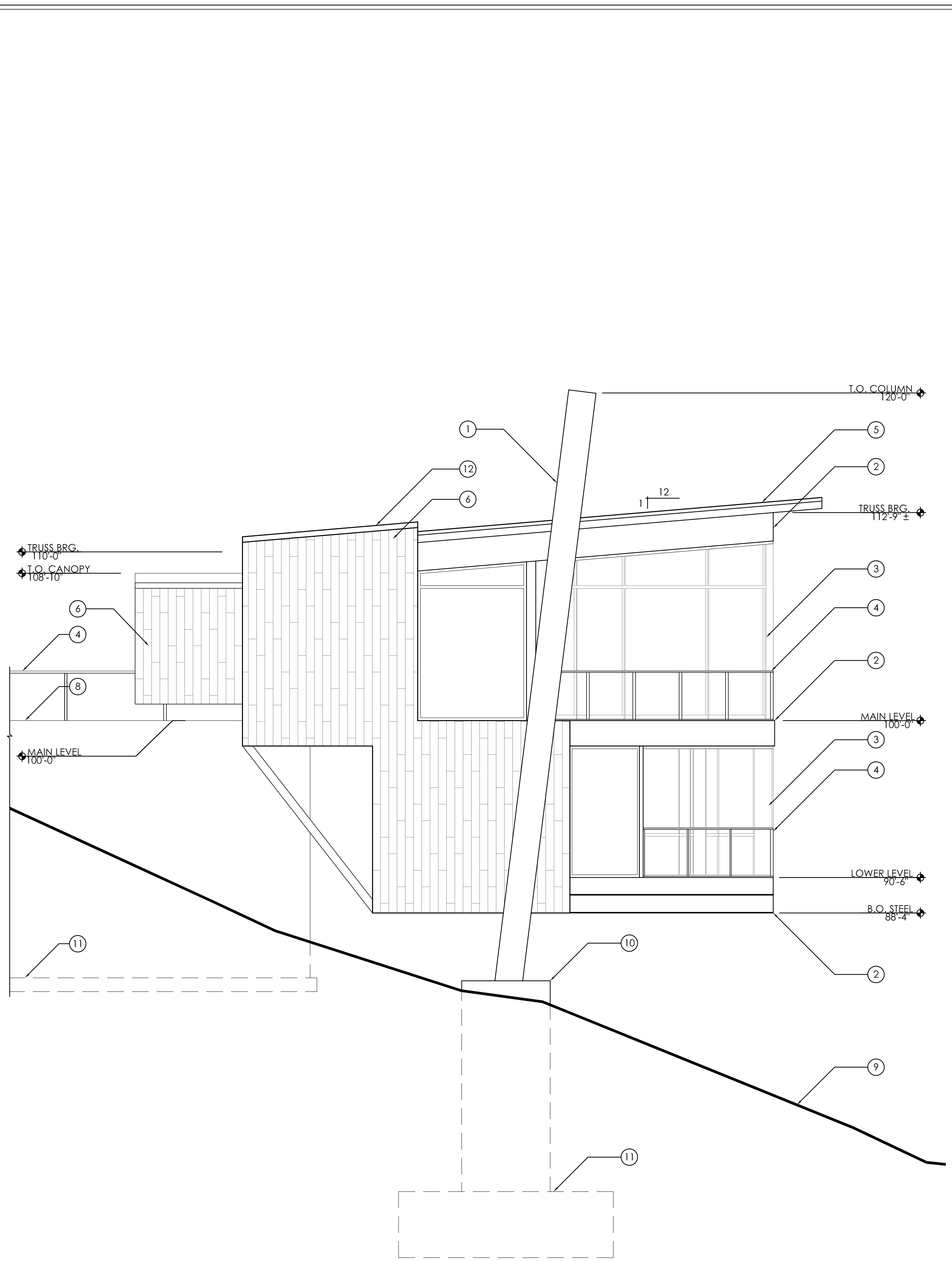
THIS DOCUMENT IS THE PROPERTY OF BERTOLDI ARCHITECTS © 2013

- KEYED NOTES:**
- ① STEEL COLUMN, TYP.
 - ② STEEL BEAM, TYP.
 - ③ ALUMINUM WINDOW SYSTEM
 - ④ EXTERIOR HANDRAIL/GUARD, TYP.
 - ⑤ METAL ROOF/FASCIA, TYP.
 - ⑥ WOOD SIDING, TYP.
 - ⑦ METAL CLADDING, TYP.
 - ⑧ CONCRETE GANGPLANK
 - ⑨ EXISTING GRADE: VARIES
 - ⑩ CONCRETE FOOTING
 - ⑪ CONCRETE FOUNDATION
 - ⑫ METAL CAP

**SUMMIT
 RIDGE NEST 1**
 POWDER MOUNTAIN
 EDEN, UT 84310



ELEVATION 3
 1/4"=1'-0"



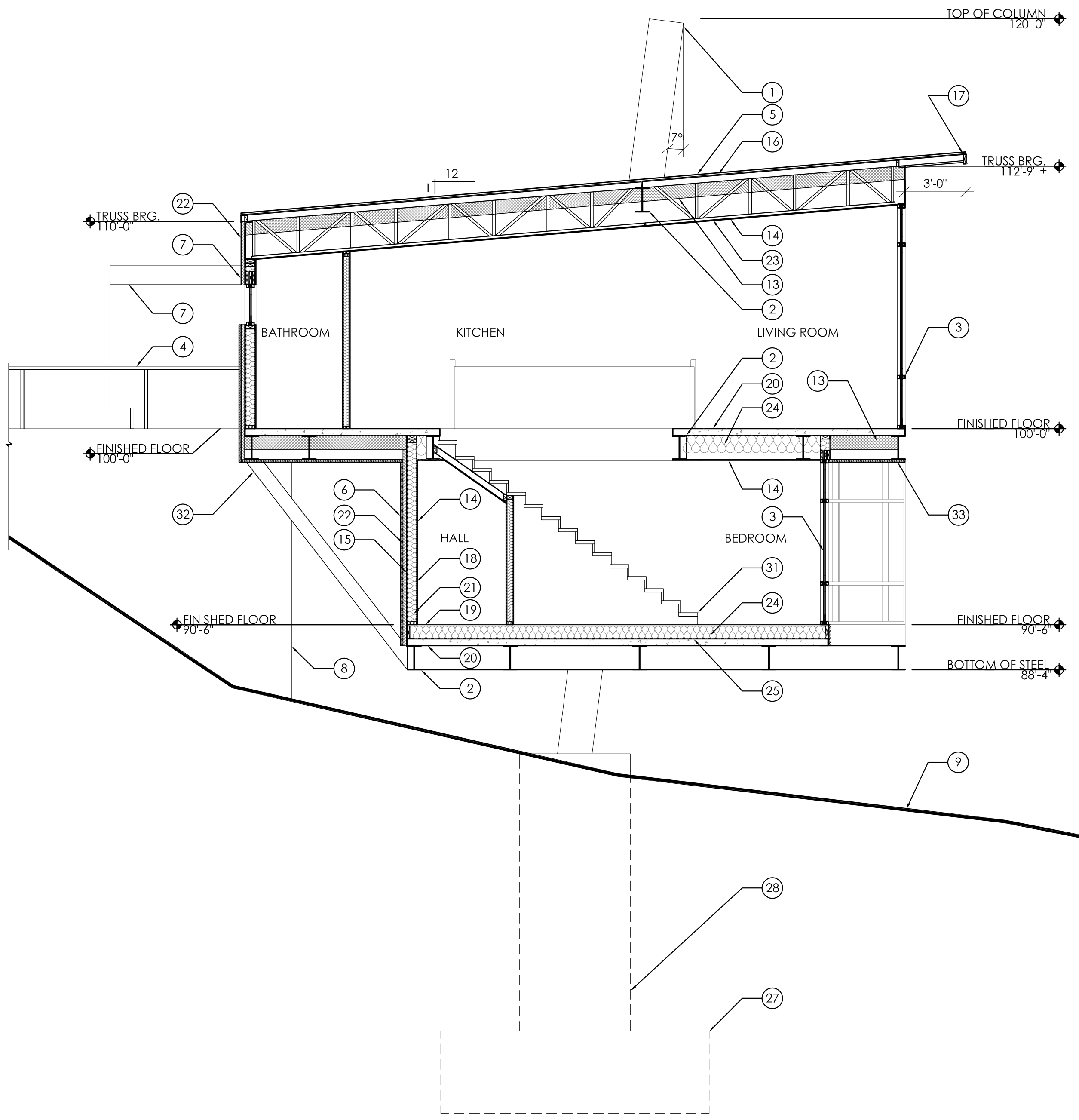
ELEVATION 4
 1/4"=1'-0"

THIS DOCUMENT IS THE PROPERTY OF BERTOLDI ARCHITECTS © 2013

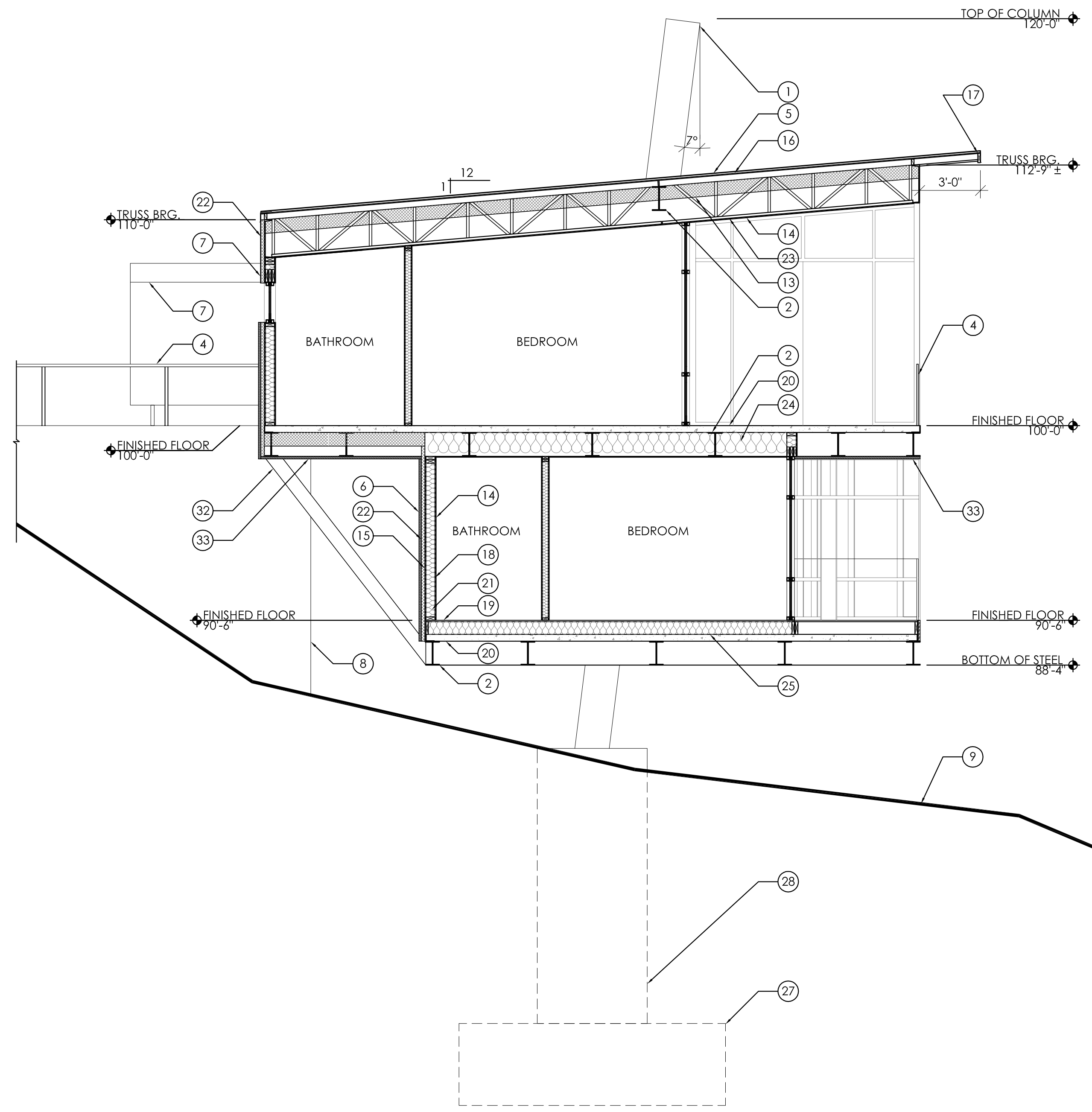
| REV. | DATE |
|------|------|
| | |
| | |
| | |
| | |

PROJECT # 1319
 DATE: 8/22/13
 TITLE:

SHEET:



SECTION A
1/4"=1'-0"



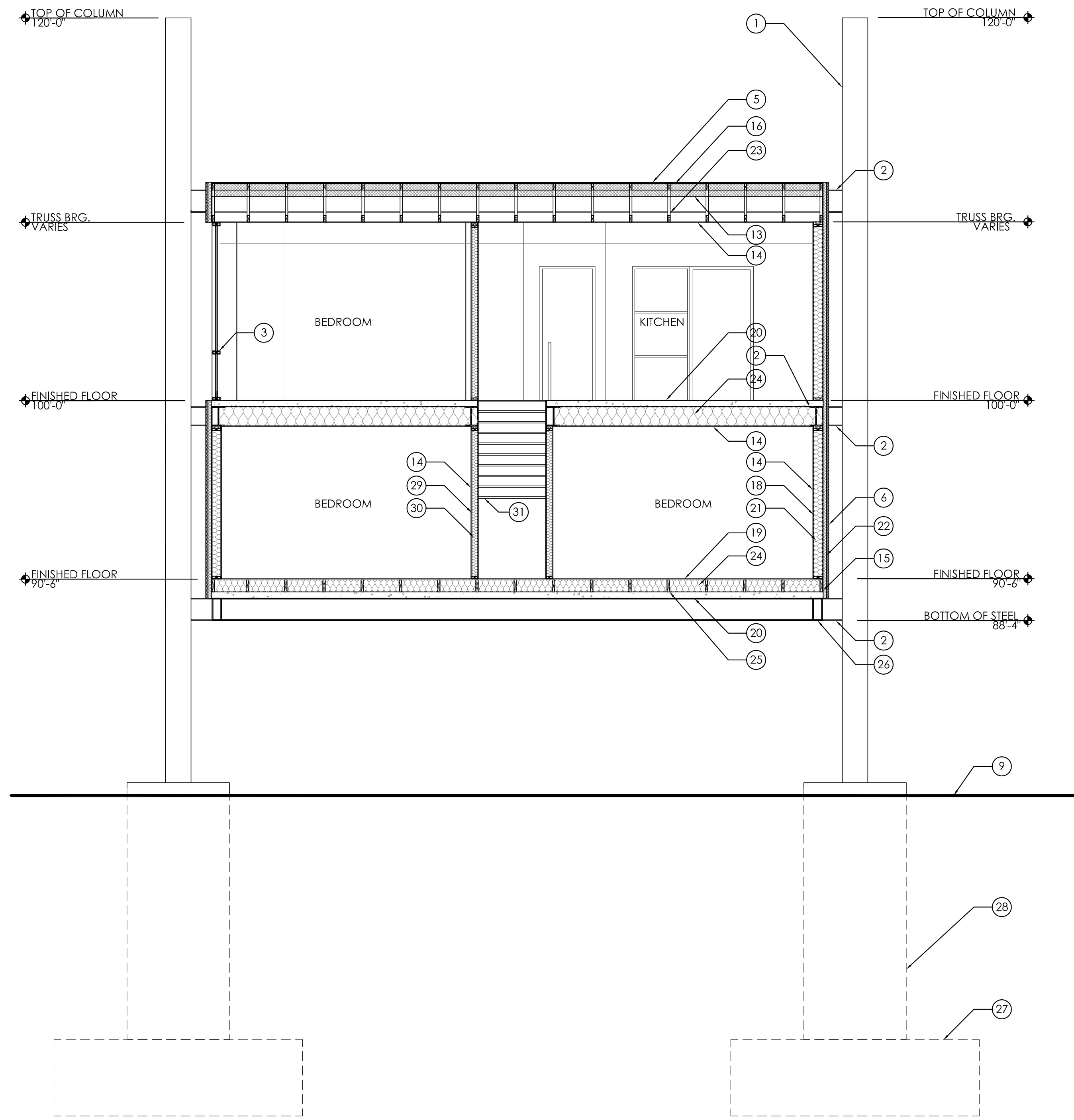
SECTION B
1/4"=1'-0"

- KEYED NOTES:
- 1 STEEL COLUMN, TYP.
 - 2 STEEL BEAM, TYP.
 - 3 GLAZING, TYP.
 - 4 EXTERIOR HANDRAIL/GUARDRAIL
 - 5 METAL ROOF
 - 6 WOOD SIDING, TYP.
 - 7 METAL CLADDING, TYP.
 - 8 CONCRETE GANGPLANK
 - 9 EXISTING GRADE; VARIES
 - 10 STEEL STRUCTURE
 - 11 STEEL GRATING
 - 12 SKI RACK
 - 13 SPRAY FOAM INSULATION, R-60 MIN.
 - 14 1/2" GWB
 - 15 WALL SHEATHING
 - 16 ROOF SHEATHING
 - 17 PRE-FINISHED METAL FASCIA
 - 18 2x6 WOOD STUDS @ 16' O.C.
 - 19 FLOOR SHEATHING
 - 20 CONCRETE OVER METAL FLOOR DECK
 - 21 R-19 BATT INSULATION
 - 22 2" RIGID INSULATION
 - 23 PRE-MANUFACTURED ROOF TRUSS
 - 24 FLOOR INSULATION
 - 25 FLOOR JOISTS
 - 26 STEEL TRUSS
 - 27 CONCRETE FOOTING
 - 28 CONCRETE FOUNDATION
 - 29 2x4 WOOD STUDS @ 16' O.C.
 - 30 SOUND BATT INSULATION
 - 31 STAIR
 - 32 STEEL BRACE
 - 33 WOOD SOFFIT

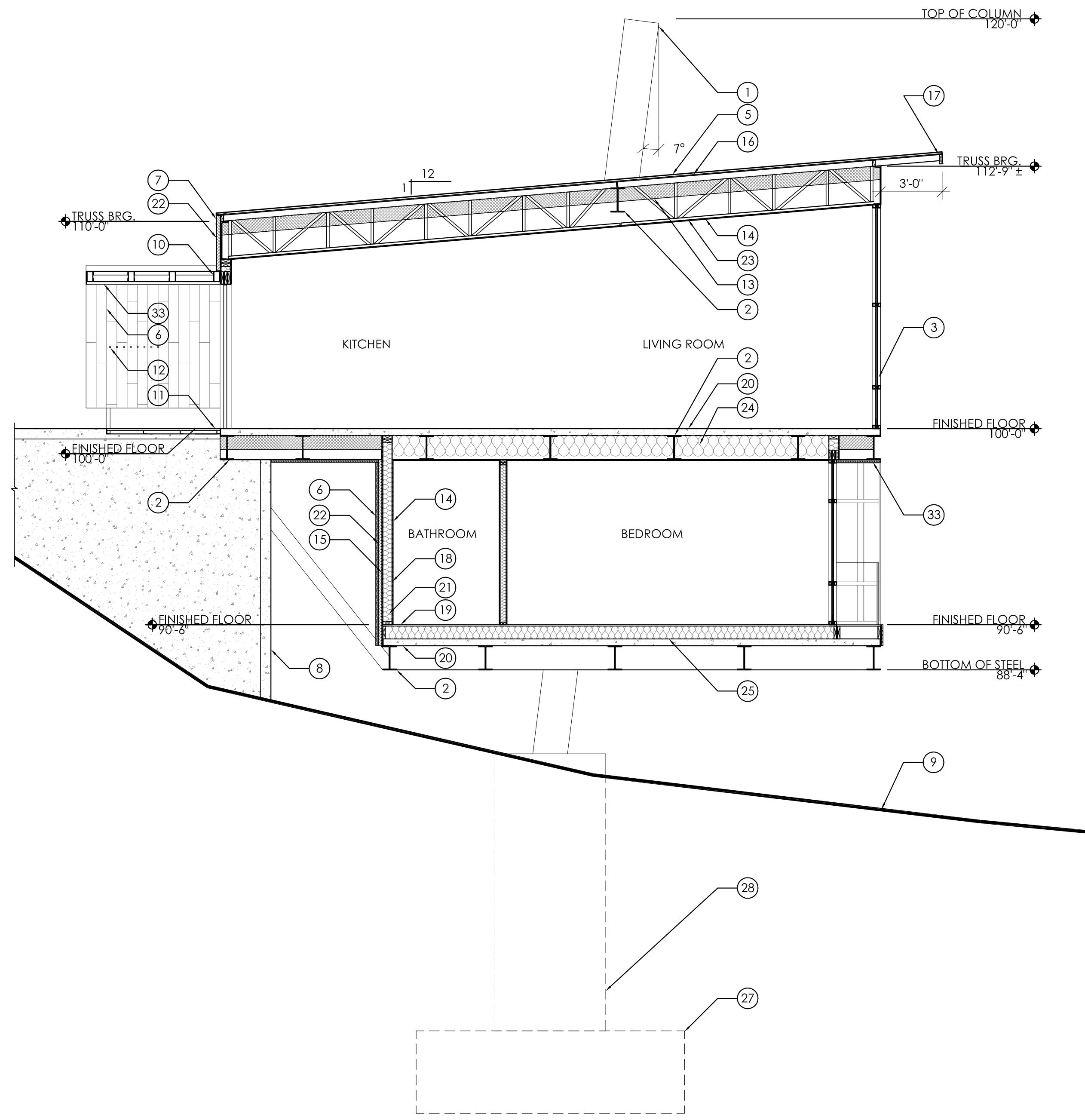
| REV. | DATE |
|----------------|------|
| | |
| | |
| | |
| | |
| PROJECT # 1319 | |
| DATE: 8/22/13 | |
| TITLE: | |

SHEET:

THIS DOCUMENT IS THE PROPERTY OF BERTOLDI ARCHITECTS © 2013



SECTION C
1/4"=1'-0"



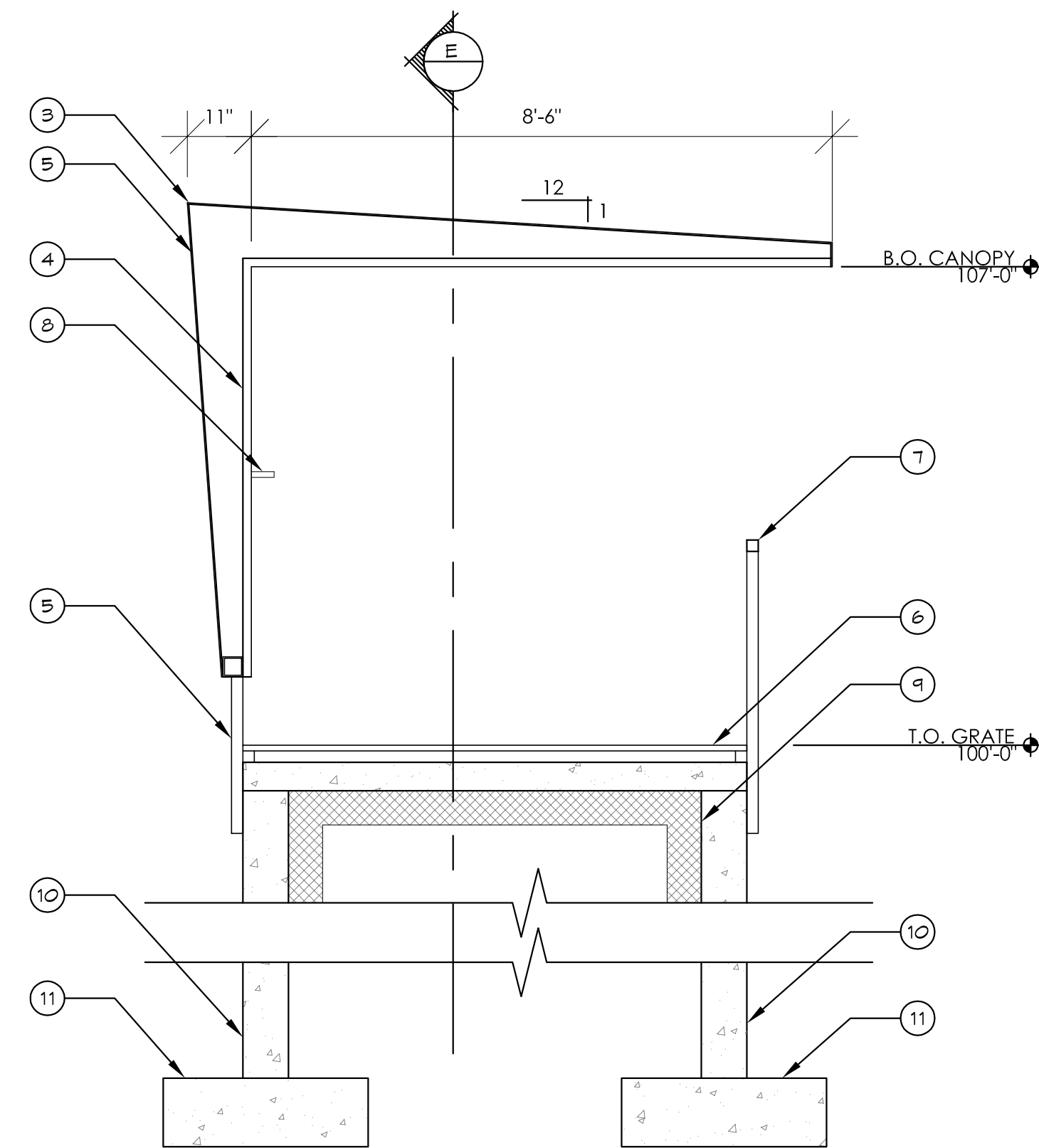
SECTION D
1/4"=1'-0"

- KEYED NOTES:**
- 1 STEEL COLUMN, TYP.
 - 2 STEEL BEAM, TYP.
 - 3 GLAZING, TYP.
 - 4 EXTERIOR HANDRAIL/GUARDRAIL
 - 5 METAL ROOF
 - 6 WOOD SIDING, TYP.
 - 7 METAL CLADDING, TYP.
 - 8 CONCRETE GANGPLANK
 - 9 EXISTING GRADE: VARIES
 - 10 STEEL STRUCTURE
 - 11 STEEL GRATING
 - 12 SKI RACK
 - 13 SPRAY FOAM INSULATION, R-60 MIN.
 - 14 1/2" GWB
 - 15 WALL SHEATHING
 - 16 ROOF SHEATHING
 - 17 PRE-FINISHED METAL FASCIA
 - 18 2x6 WOOD STUDS @ 16" O.C.
 - 19 FLOOR SHEATHING
 - 20 CONCRETE OVER METAL FLOOR DECK
 - 21 R-19 BATT INSULATION
 - 22 2" RIGID INSULATION
 - 23 PRE-MANUFACTURED ROOF TRUSS
 - 24 FLOOR INSULATION
 - 25 FLOOR JOISTS
 - 26 STEEL TRUSS
 - 27 CONCRETE FOOTING
 - 28 CONCRETE FOUNDATION
 - 29 2x4 WOOD STUDS @ 16" O.C.
 - 30 SOUND BATT INSULATION
 - 31 STAIR
 - 32 STEEL BRACE
 - 33 WOOD SOFFIT

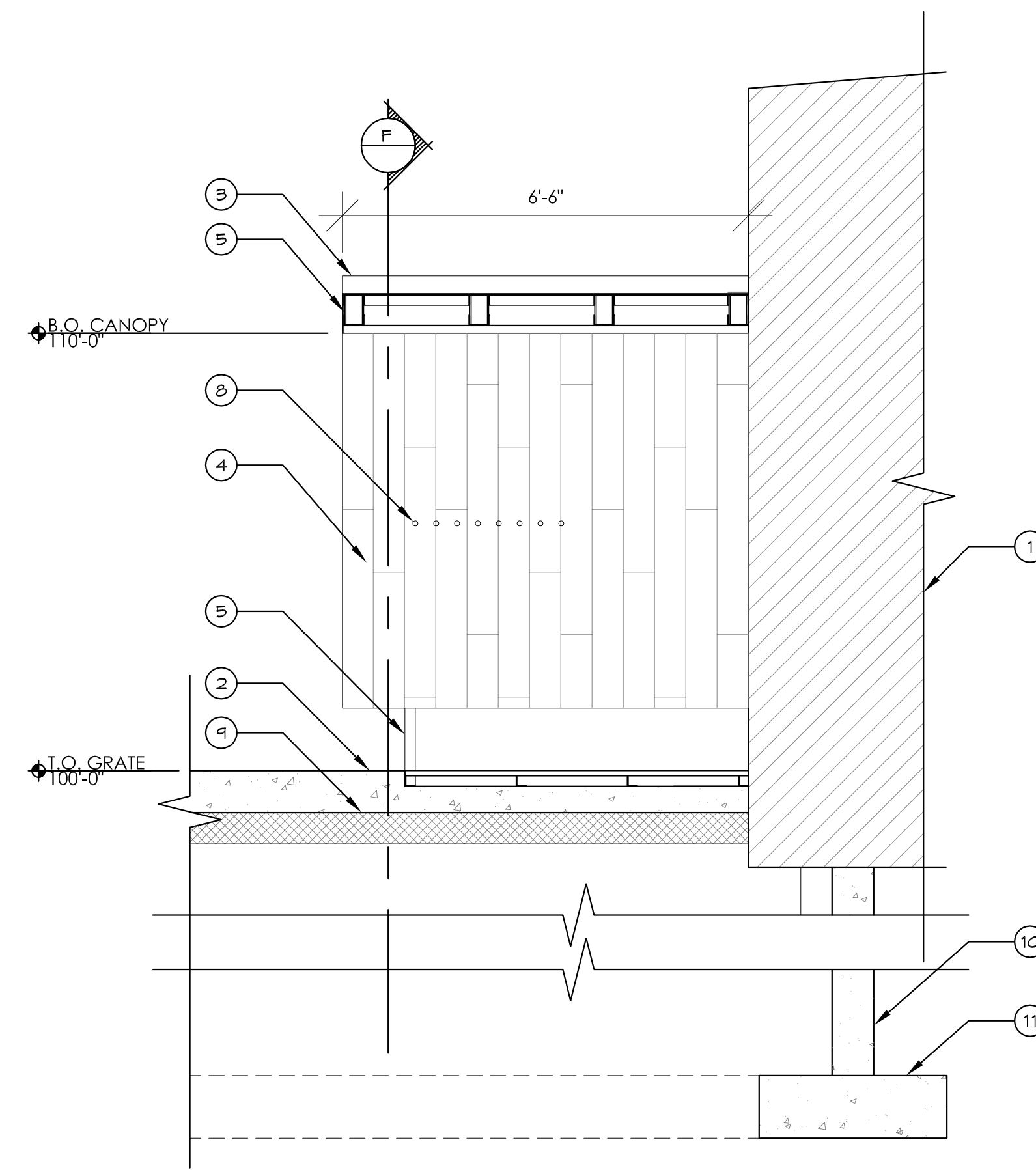
| REV. | DATE |
|----------------|------|
| | |
| | |
| | |
| | |
| PROJECT # 1319 | |
| DATE: 8/22/13 | |
| TITLE: | |

SHEET:

THIS DOCUMENT IS THE PROPERTY OF BERTOLDI ARCHITECTS © 2013.



SECTION E
1/2"=1'-0"



SECTION F
1/2"=1'-0"

KEYED NOTES:

- ① NEST UNIT
- ② CONCRETE GANGPLANK/UTILITY VAULT
- ③ METAL CLADDING, TYP.
- ④ WOOD SIDING, TYP.
- ⑤ STEEL STRUCTURE
- ⑥ STEEL GRATING
- ⑦ EXTERIOR HANDRAIL/GUARD, TYP.
- ⑧ SKI RACK
- ⑨ INSULATION
- ⑩ CONCRETE FOUNDATION
- ⑪ CONCRETE FOOTING
- ⑫ FINISH GRADE VARIES. REFER TO CIVIL

| REV. | DATE |
|------|------|
| | |
| | |
| | |
| | |
| | |
| | |
| | |
| | |

PROJECT # 1319
DATE: 8/22/13
TITLE:

SHEET:

THIS DOCUMENT IS THE PROPERTY OF BERTOLDI ARCHITECTS © 2013