

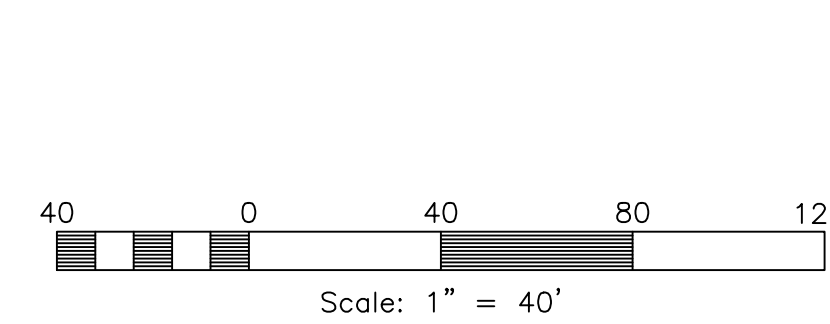


VICINITY MAP

SCALE: NONE

CURVE TABLE

#	RADIUS	ARC LENGTH	CHORD LENGTH	TANGENT	CHORD BEARING	DELTA ANGLE
C1	1959.86'	254.84'	254.66'	127.60'	S80°41'48"E	7°27'01"
C2	1959.86'	68.45'	68.44'	34.23'	S77°58'20"E	2°00'04"
C3	1959.86'	56.70'	56.70'	28.35'	S79°48'05"E	1°39'28"
C4	1959.86'	55.67'	55.67'	27.84'	S81°26'39"E	1°37'39"
C5	1959.86'	74.02'	74.02'	37.01'	S83°20'23"E	2°09'50"
C6	28.00'	43.98'	39.60'	28.00'	S32°56'13"E	90°
C7	28.00'	43.98'	39.60'	28.00'	N57°03'47"E	90°



NORTHWEST CORNER OF SECTION 24 TOWNSHIP 6 NORTH, RANGE 1 EAST, SALT LAKE BASE & MERIDIAN, U.S. SURVEY. FOUND WEBER COUNTY SURVEY BRASS CAP MONUMENT MARKED "2006" IN CONCRETE 15" BELOW GROUND

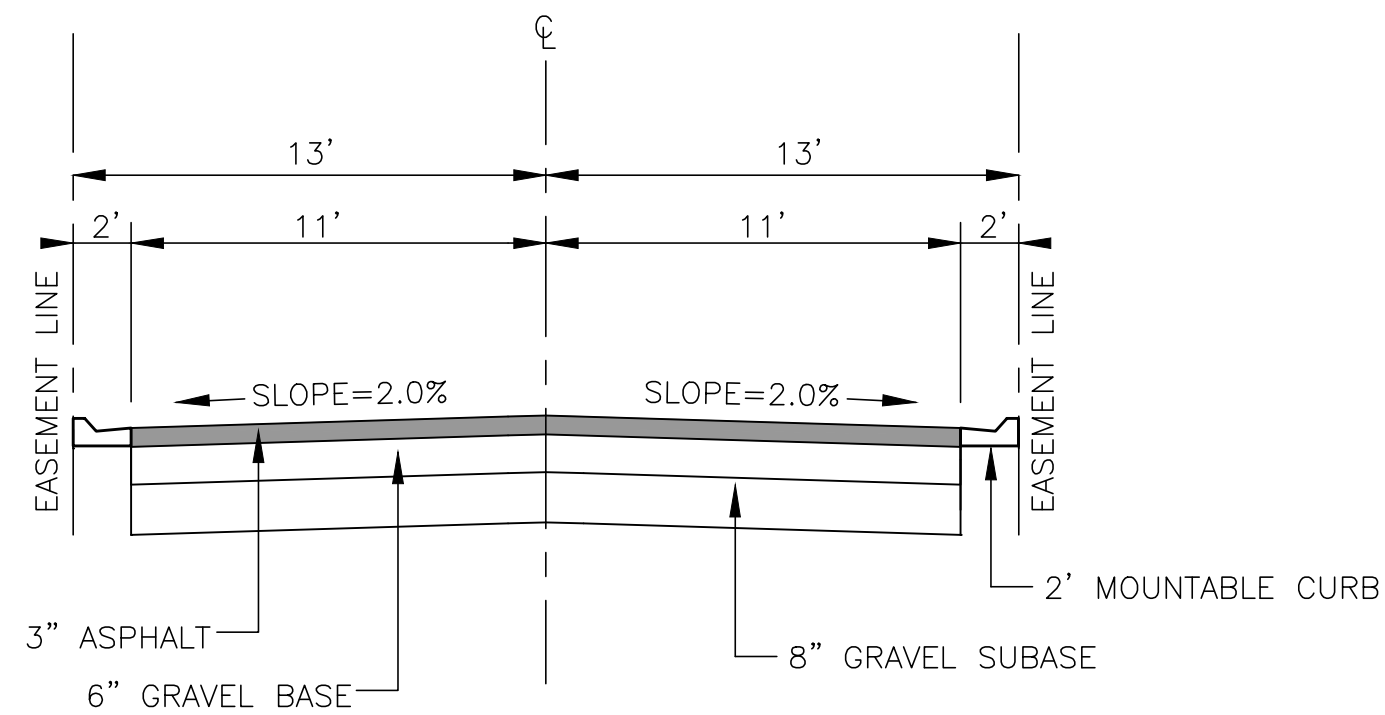
NORTH QUARTER CORNER OF SECTION 24 TOWNSHIP 6 NORTH, RANGE 1 EAST, SALT LAKE BASE & MERIDIAN, U.S. SURVEY. FOUND WEBER COUNTY SURVEY BRASS CAP MONUMENT MARKED "2020" IN RING AND LID 8" BELOW GROUND

BOUNDARY DESCRIPTION

PART OF THE NORTHWEST QUARTER OF SECTION 24, TOWNSHIP 6 NORTH, RANGE 1 EAST, SALT LAKE BASE & MERIDIAN, U.S. SURVEY. MORE PARTICULARLY DESCRIBED AS FOLLOWS:

BEGINNING AT A POINT ON THE SOUTHERLY RIGHT-OF-WAY OF STATE HIGHWAY 39, SAID POINT BEING S89°36'46"E 477.61 FEET AND S00°23'14"W 2.34 FEET FROM THE FOUND MONUMENT AT THE NORTHWEST CORNER OF SAID SECTION 24; THENCE ALONG SAID SOUTHERLY LINE, A NON-TANGENT CURVE TURNING TO THE LEFT WITH A RADIUS OF 1959.86 FEET, AN ARC LENGTH OF 254.84 FEET, A DELTA ANGLE OF 07°27'01", A CHORD BEARING OF S80°41'48"E, AND A CHORD LENGTH OF 254.66 FEET TO THE WESTERLY RIGHT-OF-WAY LINE OF OLD SNOW BASIN ROAD; THENCE ALONG SAID WESTERLY LINE THE FOLLOWING TWO (2) COURSES: (1) S04°48'23"W 313.97 FEET; (2) ALONG A TANGENT CURVE TURNING TO THE RIGHT WITH A RADIUS OF 1134.18 FEET, AN ARC LENGTH OF 117.20 FEET, A DELTA ANGLE OF 05°55'15", A CHORD BEARING OF S07°46'00"W, AND A CHORD LENGTH OF 117.15 FEET TO THE NORTH LINE OF CHALETS AT SKI LAKE PHASE 1; THENCE ALONG SAID NORTH LINE THE FOLLOWING TWO (2) COURSES: (1) N77°56'06"W 194.61 FEET; (2) N77°56'13"W 271.39 FEET TO THE EAST LINE OF CHALETS AT SKI LAKE PHASE 3; THENCE ALONG SAID EAST LINE THE FOLLOWING THREE (3) COURSES: (1) N12°03'47"E 156.02 FEET; (2) S77°56'13"E 158.81 FEET; (3) N13°01'42"E 260.03 FEET TO THE SOUTHERLY RIGHT-OF-WAY LINE OF STATE HIGHWAY 39 AND TO THE POINT OF BEGINNING.

CONTAINING 144,146 SQUARE FEET OR 3.309 ACRES MORE OR LESS.



26' Private Roadway

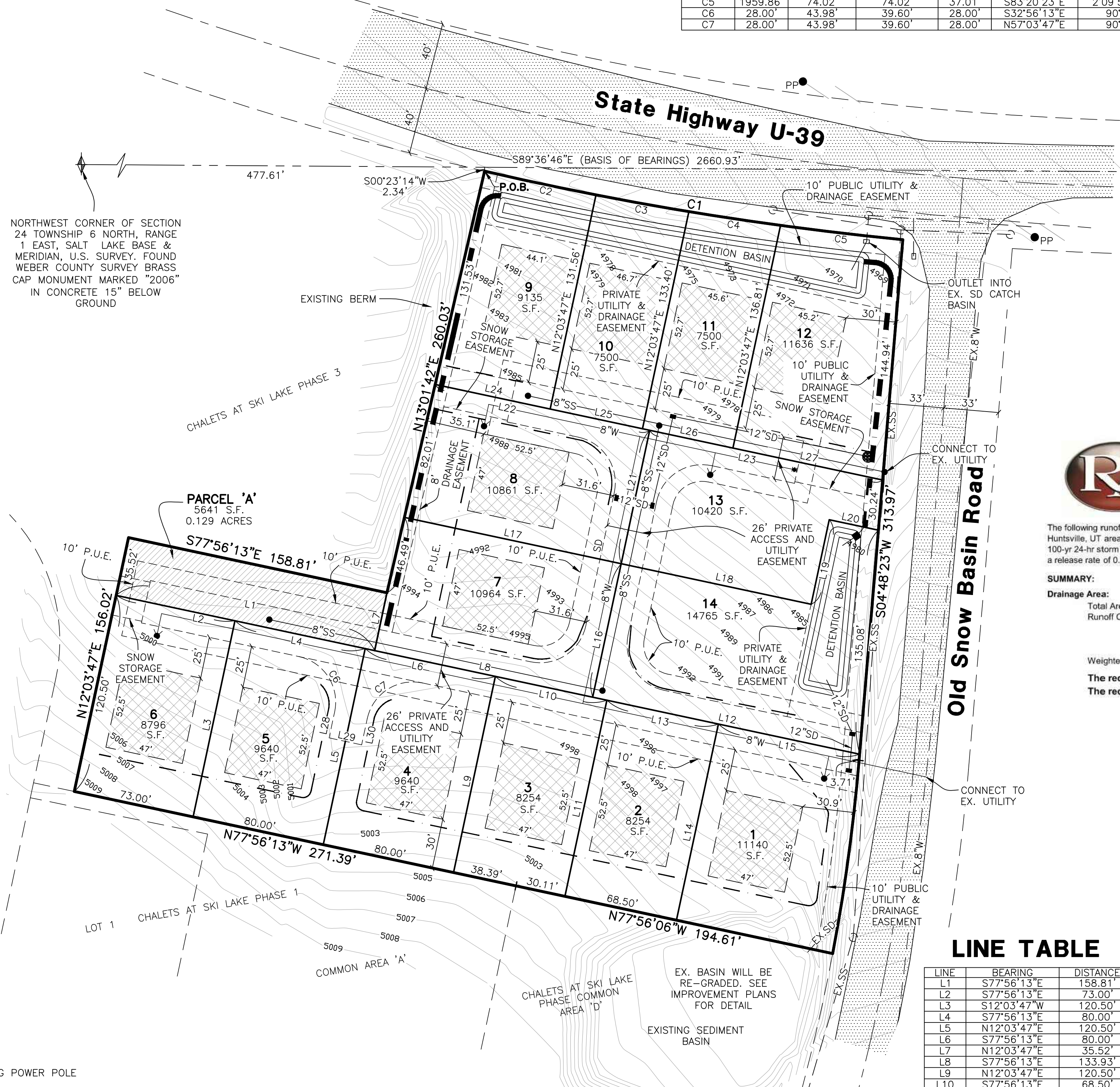
SCALE: NONE

LEGEND

- = SECTION CORNER
- = BOUNDARY LINE
- = LOT LINE
- = ADJOINING PROPERTY
- = EASEMENTS
- = SECTION TIE LINE
- = PROPOSED SANITARY SEWER LINE
- = EXISTING SANITARY SEWER LINE
- = PROPOSED CULINARY WATER LINE
- = EXISTING CULINARY WATER LINE
- = PROPOSED STORM DRAIN
- = SWALE
- = POWER LINE
- = EXISTING POWER POLE
- = PROPOSED FIRE HYDRANT
- = PROPOSED SANITARY SEWER/STORM DRAIN MANHOLE
- = EXISTING SANITARY SEWER/STORM DRAIN MANHOLE
- = PLUG W/ 2" BLOW-OFF
- = PROPOSED STORM DRAIN MANHOLE
- = PROPOSED SINGLE GRATE CATCH BASIN WITH BICYCLE-SAFE GRATE
- = EXISTING CATCH BASIN
- = PUBLIC UTILITY EASEMENT
- = EXISTING PAVEMENT
- = BUILDING ENVELOPE

NOTES

- CONTOURS ARE SHOWN IN ONE FOOT INTERVALS.
- PROPERTY IS IN ZONE X PER FEMA FLOOD PANEL 49057C0475F EFFECTIVE 6-2-2015
- PARCEL 'A' AND LOT 13 WILL BE OWNED AND MAINTAINED BY THE HOA.
- LOT 14 IS FOR COMMERCIAL USE AS REQUIRED BY THE CVR-1 ZONE.



Storm Runoff Calculations

THE BASIN
7562-03 6/18/2021 JRS

The following runoff calculations are based on the Rainfall - Intensity - Duration Frequency Curve for the Huntsville, UT area taken from the NOAA Atlas 14 database. Calculations have been completed for the 100-yr 24-hr storm event. Storm water runoff has been calculated for a fully developed site and limited to a release rate of 0.2 cfs/acre.

SUMMARY:

Drainage Area:	Total Area =	3.30 acre or	143,822 ft ²
Runoff Coefficients:	30% Paved Area	43,776	C = 0.9
	26% Roof	37,563	C = 0.9
	43% Landscaped Area	62,483	C = 0.2
Weighted Runoff Coefficient			C = 0.60

The required 100-yr storage volume is **11,621 cubic feet**

The required LID Retention volume is **2,363 cubic feet**

NORTH BASIN	SOUTHEAST BASIN	TOTAL VOLUMES
9533 CF DETENTION	3556 CF DETENTION	13089 CF DETENTION
300 CF LID	2065 CF LID	2365 CF LID

LINE TABLE

LINE	BEARING	DISTANCE
L1	S77°56'13"E	158.81'
L2	S77°56'13"E	73.00'
L3	S12°03'47"W	120.50'
L4	S77°56'13"E	80.00'
L5	N12°03'47"E	120.50'
L6	S77°56'13"E	80.00'
L7	N12°03'47"E	35.52'
L8	S77°56'13"E	133.93'
L9	N12°03'47"E	120.50'
L10	S77°56'13"E	68.50'
L11	N12°03'47"E	120.50'
L12	S77°56'13"E	164.01'
L13	S77°56'13"E	68.50'
L14	N12°03'47"E	120.50'
L15	S77°56'13"E	86.75'
L16	N12°03'47"E	82.00'
L17	S77°56'13"E	133.15'
L18	S77°56'13"E	116.70'
L19	N12°03'47"E	52.00'
L20	S77°56'13"E	30.24'
L21	N12°03'47"E	82.00'
L22	S77°56'13"E	131.77'
L23	S77°56'13"E	143.12'
L24	S77°56'13"E	70.66'
L25	S77°56'13"E	56.67'
L26	S77°56'13"E	55.57'
L27	S77°56'13"E	92.00'
L28	S12°03'47"W	16.00'
L29	S77°56'13"E	20.00'
L30	N12°03'47"E	16.00'

NORTH BASIN					
ELEV	AREA (sq. ft.)	DEPT H (ft)	CONIC INC. VOL. (cu. ft.)	CONIC TOTAL VOL. (cu. ft.)	
4,972.75	1,308.66	0.00	0.00	0.00	
4,973.00	1,094.19	0.25	299.96	299.96	LID
4,974.00	2,015.51	1.00	1531.58	1831.54	
4,975.00	2,964.70	1.00	2474.89	4306.43	
4,976.00	3,934.64	1.00	3438.25	7744.68	
4,976.50	4,425.53	0.50	2088.84	9833.52	HIGH WATER
4,977.00	4,920.86	0.50	2335.50	12169.03	
4,977.50	5,428.83	0.50	2586.38	14755.41	FREEBOARD

SOUTHEAST BASIN					
ELEV	AREA (sq. ft.)	DEPT H (ft)	CONIC INC. VOL. (cu. ft.)	CONIC TOTAL VOL. (cu. ft.)	
4,980.00	335.45	N/A	N/A	0.00	
4,981.00	808.81	1.00	555.05	555.05	
4,982.00	1,364.07	1.00	1074.42	1629.46	
4,982.30	1,543.86	0.30	435.91	2065.37	LID
4,983.00	1,986.83	0.70	1232.49	3297.86	
4,984.00	2,676.90	1.00	2323.31	5621.17	HIGH WATER
4,985.00	3,441.43	1.00	3051.17	8672.34	FREEBOARD

The Basin

Weber County, Utah

Reeve & Associates, Inc.
 5160 SOUTH 1500 WEST RIVERDALE, UTAH 84405
 TEL: (801) 821-3100 FAX: (801) 821-2666 www.reeve-assoc.com
 LAND PLANNERS • CIVIL ENGINEERS • LAND SURVEYORS
 TRAFFIC ENGINEERS • STRUCTURAL ENGINEERS • LANDSCAPE ARCHITECTS

REVISIONS

DATE	DESCRIPTION
8-11-21	LOT LAYOUT REVISIONS
11-18-21	LOT LAYOUT REVISIONS

The Basin
 PART OF THE NW 1/4 OF SECTION 24, T.6N., R.1E., S.11B & W., U.S. SURVEY
 WEBER COUNTY, UTAH

Preliminary Plan

Project Info.
 Engineer: N. Reeve
 Designer: C. Gave
 Begin Date: 5-6-21
 Name: THE BASIN
 Number: 7562-03

Sheet **1** of 1 Sheets