

NOTE:
 CONSULT YOUR CONSTRUCTION MANUAL FOR
 INSTALLATION OF WALLS, ROOF, FABRIC,
 LACING, DOME, & PROPER HEIGHTS OF ALL.

30' YURT BUILDING SECTION A--A

SHEET #1

CONG. FOOTING & COL
 SEE DETAIL 1/S3
 ALSO SEE SHEETS #7 & #8
 FOR ALTERNATE FOUNDATION
 AND DETAILS

SUPPORT POST

DECK SUPPORT BEAMS

DECK JOISTS

2 x 6 TREX DECKING or EQUAL

FINISH FLOORING OVER SUBFLR
 OVER (OPTIONAL 2" RIGID INSULATION)
 & 2 x 4 FLOOR JOISTS

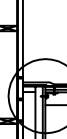
2 x 4 STUD SHOWN (OPTIONAL)

LATTICE WALL CONSTRUCTION

YURT FABRIC
 OVER LATTICE FRAME

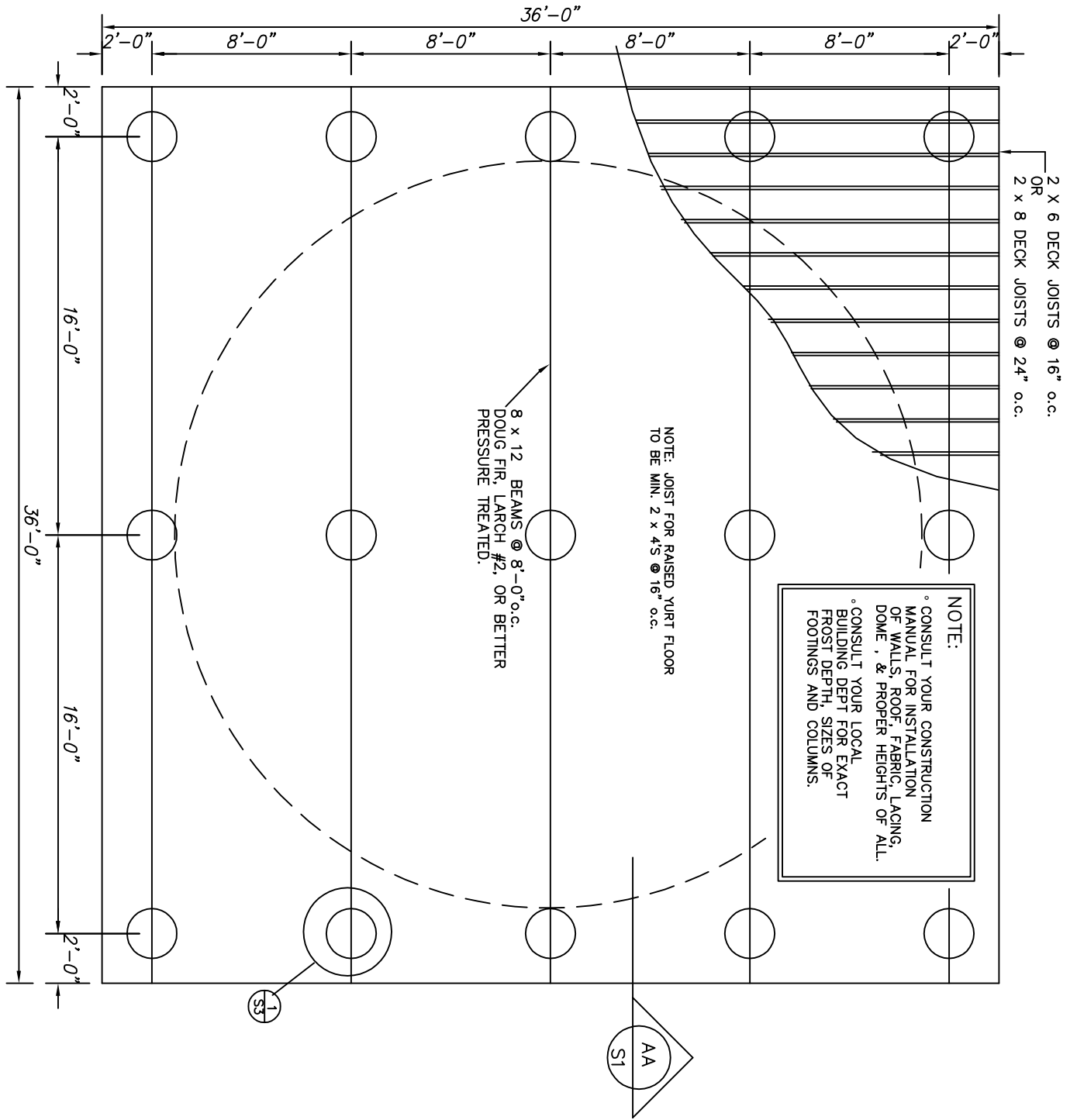
ROOF FRAMING
 2 x 4 RAFTERS TYP
 (2 x 6 OPTIONAL)

DOME - 60" DIA
 COMPRESSION RING



30' YURT FOUNDATION/FLOOR PLAN

SHEET #2

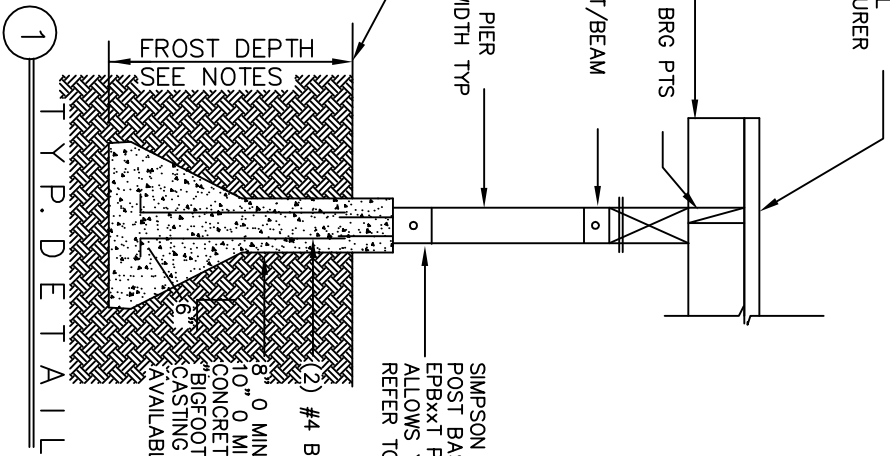


TREX DECKING OR EQUAL
SECURE PER MANUFACTURER
SPECIFICATIONS

2 x DECK JOISTS
2 x SOLID BLOCKING @ BRG PTS

SIMPSON PC @ EA POST/BEAM
CONNECTION

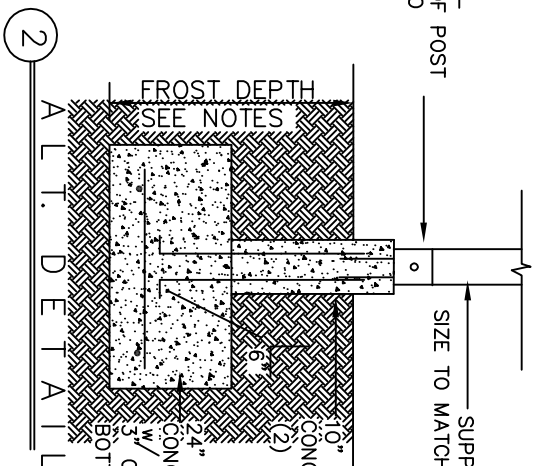
SUPPORT POST @ EA. PIER
SIZE TO MATCH BEAM WIDTH TYP
FINISHED GRADE



SIMPSON PB
POST BASE CONNECTOR - or
EPBxxxT POST BASE CONNECTOR -
ALLOWS YOU TO ADJUST HEIGHT OF POST
REFER TO MFR INSTALLATION INFO

(2) #4 BAR IN CONC
8" 0 MIN. CONC. COL. CAST IN
10" 0 MIN. SONOTUBE FORM W/
CONCRETE FOOTING. SEE 28" DIA
"BIGFOOT" or EQUAL
CASTING PRODUCT INFO
AVAILABLE @ LOCAL LUMBER CO.

NOTE:
• CONSULT YOUR CONSTRUCTION MANUAL FOR
INSTALLATION OF WALLS, ROOF, FABRIC,
LAGGING, DOME, & PROPER HEIGHTS OF ALL.
• CONSULT YOUR LOCAL BUILDING DEPT
FOR EXACT FROST DEPTH,
SIZES OF FOOTINGS AND COLUMNS.
OPTIONAL ALTERNATE FOUNDATION PLANS &
DETAILS - SEE SHEETS #6 & #7 FOR INFO

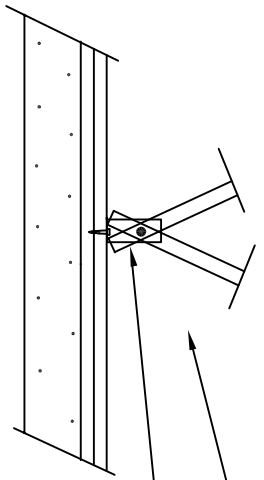


SUPPORT POST TYP
SIZE TO MATCH BEAM WIDTH TYP

10" 0 SONOTUBE
CONCRETE FILLED COLUMN
(2) #4 BAR IN CONC
24" x 24" x 12" DEEP
CONC. FOOTINGS
W/ (2) #4 REBAR EA. WAY
3" CLR FROM
BOTTOM & SIDES

TYPICAL FOUNDATION DETAIL

SHEET #3

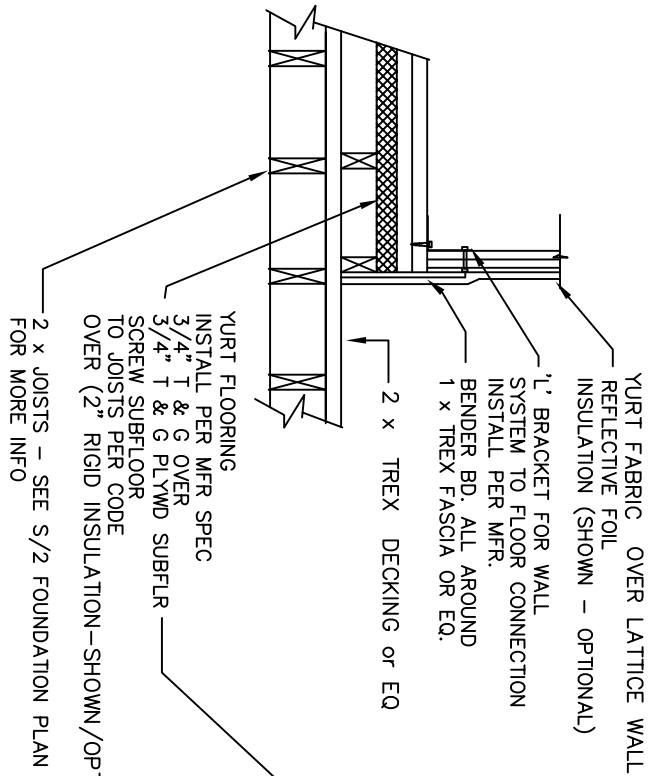


LATTICE WALLS
W/ FABRIC OVER

ANGLE BRACKETS (PROVIDED) @ EVERY
OTHER JOINT, APPROX 24" o.c. +/-
AND AT EA. SIDE OF DOORS
ATTACHED W/ HARDWARE PER SPECS

NOTE:
CONSULT YOUR CONSTRUCTION MANUAL FOR
INSTALLATION OF WALLS, ROOF, FABRIC,
LACING, DOME, & PROPER HEIGHTS OF ALL.

3
LATTICE ATTACHMENT
D E T A I L



YURT FABRIC OVER LATTICE WALL
REFLECTIVE FOIL
INSULATION (SHOWN - OPTIONAL)

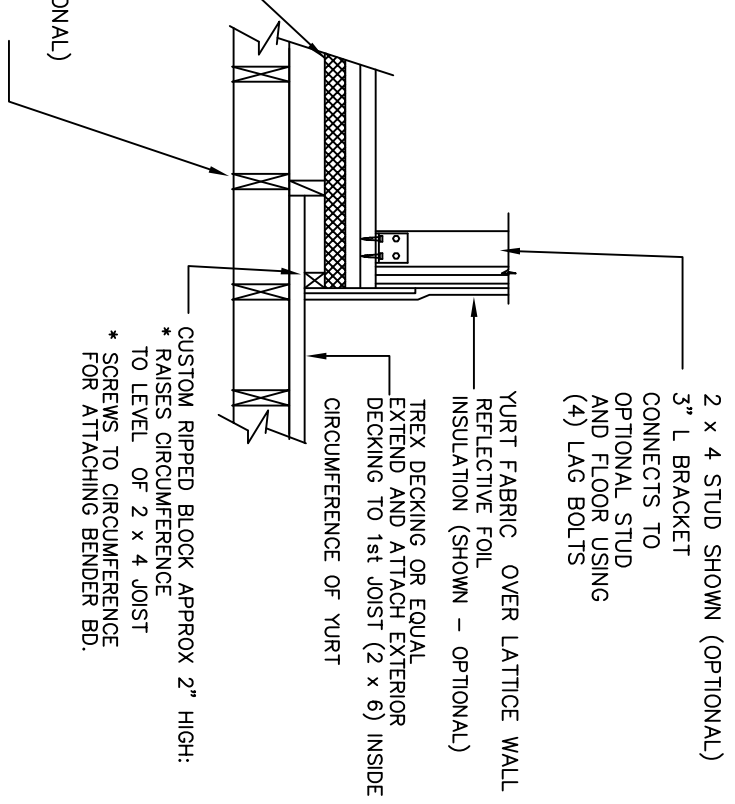
1" BRACKET FOR WALL
SYSTEM TO FLOOR CONNECTION
INSTALL PER MFR.

BENDER BD. ALL AROUND
1 x TREX FASCIA OR EQ.

2 x TREX DECKING or EQ

YURT FLOORING
INSTALL PER MFR SPEC
3/4" T & G OVER
3/4" T & G PLYWD SUBFLR
SCREW SUBFLOOR
TO JOISTS PER CODE
OVER (2" RIGID INSULATION-SHOWN/OPTIONAL)

2 x JOISTS - SEE S/2 FOUNDATION PLAN
FOR MORE INFO



2 x 4 STUD SHOWN (OPTIONAL)
3" L BRACKET
CONNECTS TO
OPTIONAL STUD
AND FLOOR USING
(4) LAG BOLTS

YURT FABRIC OVER LATTICE WALL
REFLECTIVE FOIL
INSULATION (SHOWN - OPTIONAL)

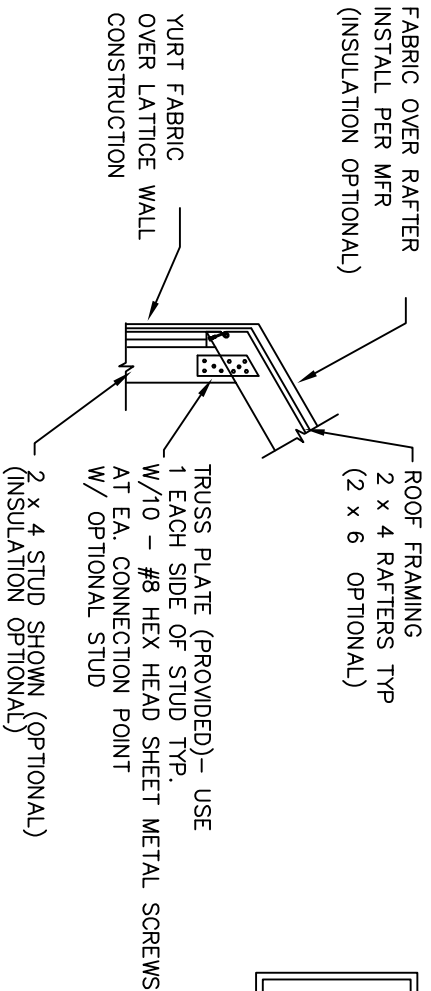
TREX DECKING OR EQUAL
EXTEND AND ATTACH EXTERIOR
DECKING TO 1st JOIST (2 x 6) INSIDE
CIRCUMFERENCE OF YURT

CUSTOM RIPPED BLOCK APPROX 2" HIGH:
* RAISES CIRCUMFERENCE
TO LEVEL OF 2 x 4 JOIST
* SCREWS TO CIRCUMFERENCE
FOR ATTACHING BENDER BD.

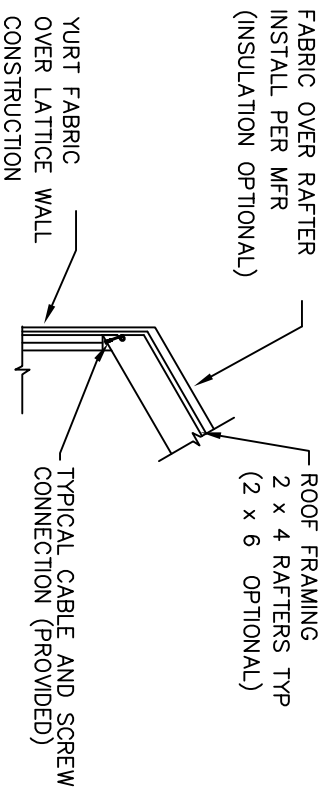
1
T Y P . D E T A I L
FLOOR/DECK CONNECTION

2
A L T . D E T A I L
FLOOR/DECK CONNECTION
ALSO REFER TO DETAIL 1/S6 FOR MORE INFO

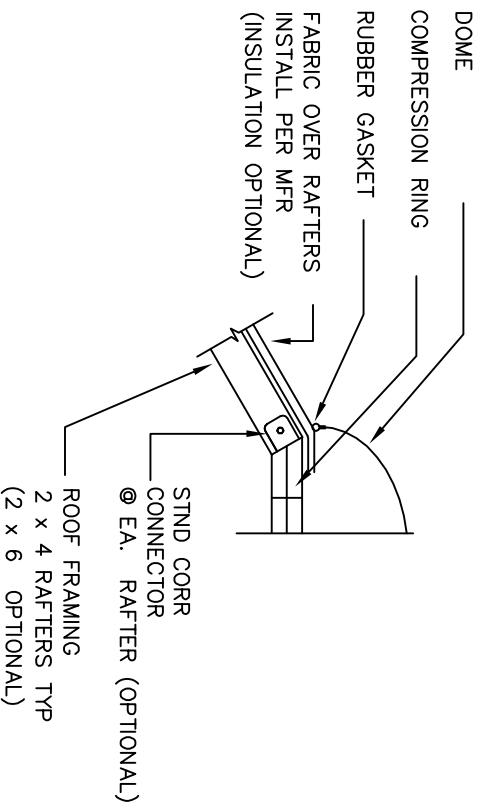
NOTE:
 CONSULT YOUR CONSTRUCTION MANUAL FOR
 INSTALLATION OF WALLS, ROOF, FABRIC,
 LACING, DOME, & PROPER HEIGHTS OF ALL.



3
 ALT. DETAIL
 WALL/RAFTER CONNECTION
 (SHOWING OPTIONAL STUD CONNECTION)



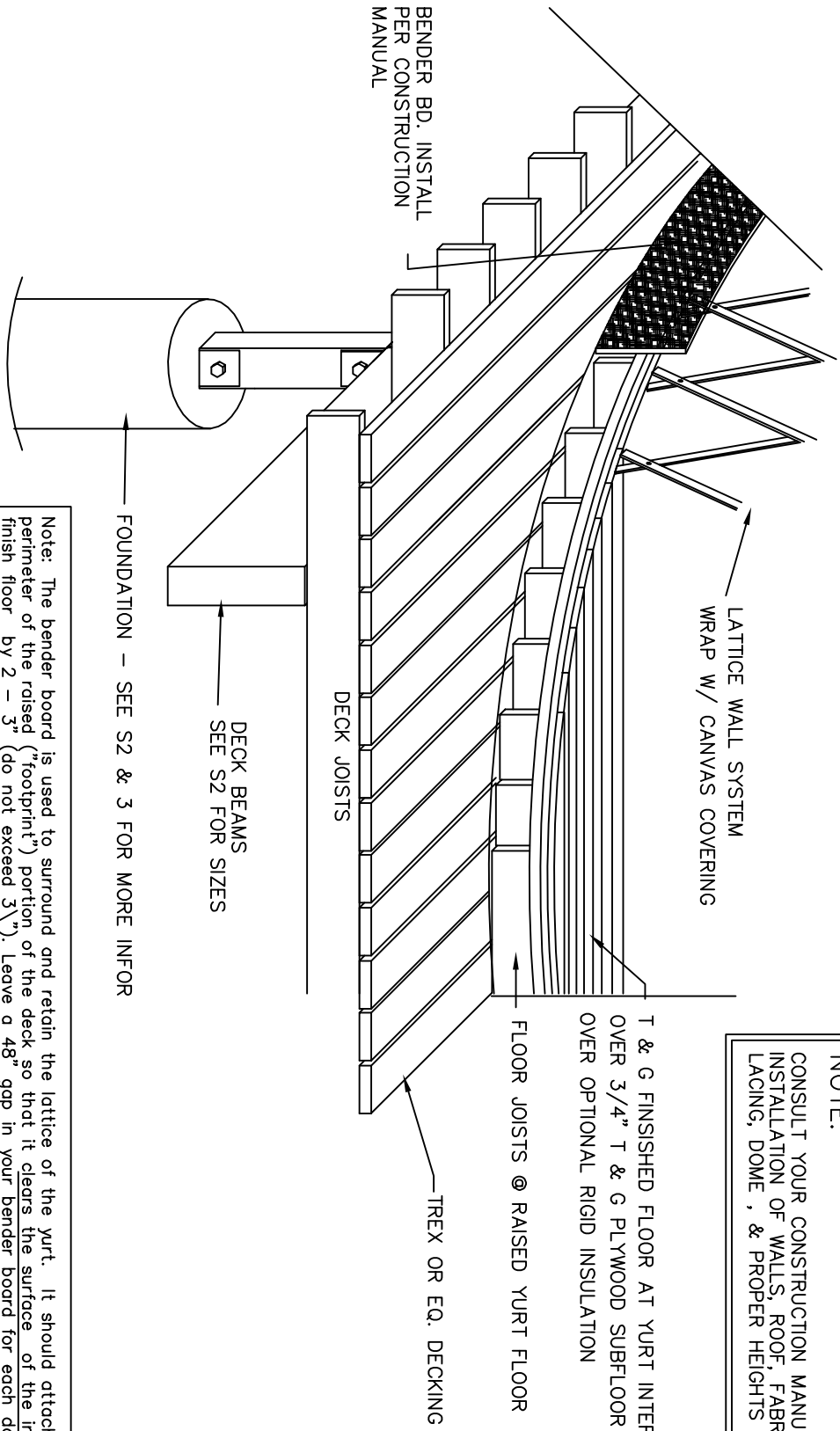
1
 TYP. DETAIL
 WALL/RAFTER CONNECTION



2
 TYP. DETAIL
 RAFTER/DOME CONNECTION

YURT RAFTER DETAILS

BENDER BD. INSTALL PER CONSTRUCTION MANUAL



NOTE:
 CONSULT YOUR CONSTRUCTION MANUAL FOR INSTALLATION OF WALLS, ROOF, FABRIC, LACING, DOME , & PROPER HEIGHTS OF ALL.

FOUNDATION – SEE S2 & 3 FOR MORE INFOR

DECK BEAMS
 SEE S2 FOR SIZES

LATTICE WALL SYSTEM
 WRAP W/ CANVAS COVERING

DECK JOISTS

T & G FINISHED FLOOR AT YURT INTERIOR
 OVER 3/4" T & G PLYWOOD SUBFLOOR
 OVER OPTIONAL RIGID INSULATION

FLOOR JOISTS @ RAISED YURT FLOOR

TREX OR EQ. DECKING

Note: The bender board is used to surround and retain the lattice of the yurt. It should attach to the perimeter of the raised ("footprint") portion of the deck so that it clears the surface of the interior finish floor by 2 – 3" (do not exceed 3"). Leave a 48" gap in your bender board for each door in your yurt. (56" gap for French doors). For placement of non-symmetrical door call manufacturer.

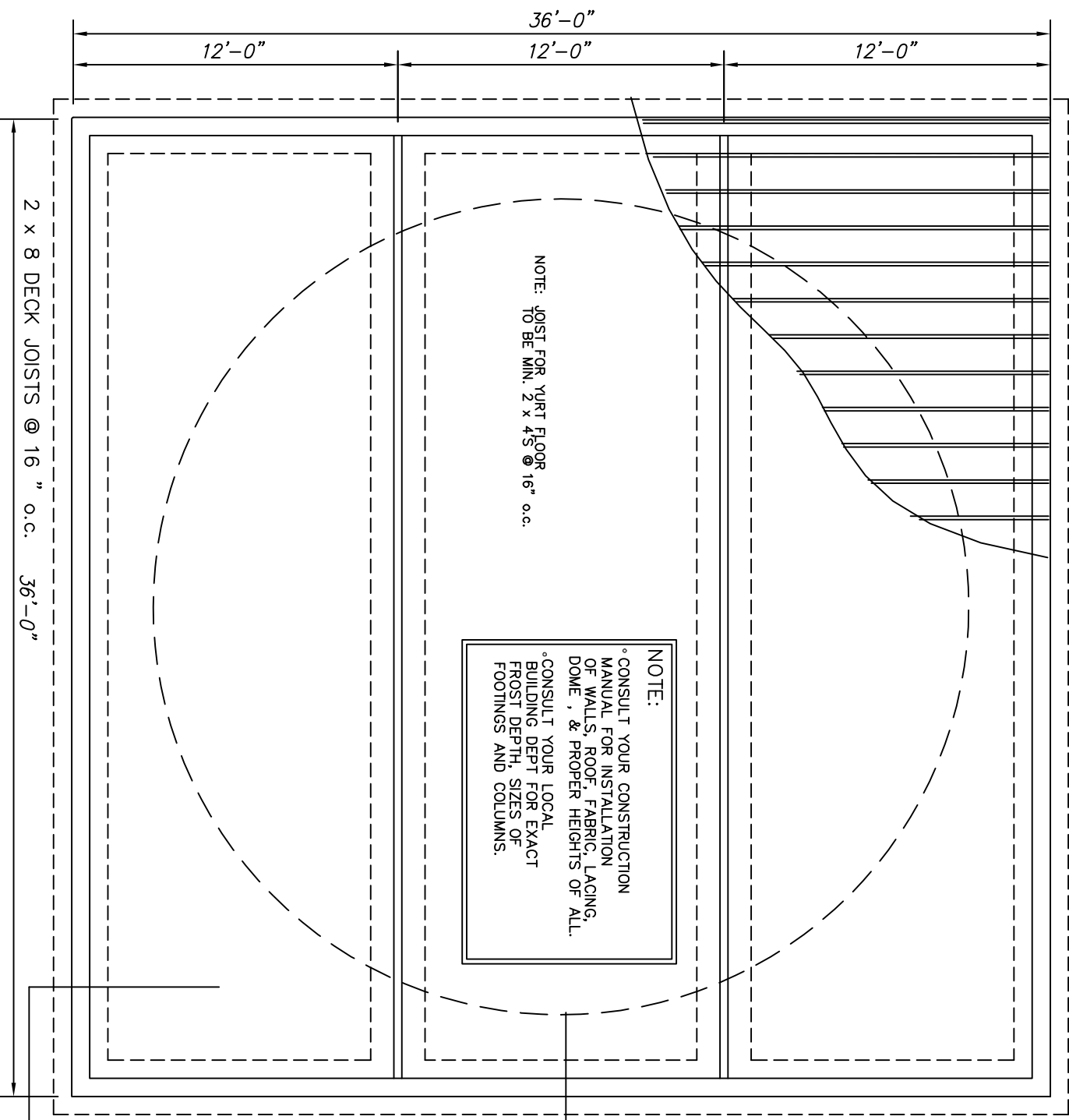
The bender board can be attached outside of the finished size of the footprint. (e.g. a 20' yurt footprint equals 20' diameter plus the thickness of the bender board.

Choose an appropriate material for your bender board. 1 X Trex fascia bd or better
 Alternative: Use pressure treated plywood, redwood or equal.

YURT ISOMETRIC SHEET #6

30' YURT ALTERNATE FOUNDATION

SHEET #7



NOTE: JOIST FOR YURT FLOOR TO BE MIN. 2 x 4S @ 16" o.c.

NOTE:
° CONSULT YOUR CONSTRUCTION MANUAL FOR INSTALLATION OF WALLS, ROOF, FABRIC, LACING, DOME, & PROPER HEIGHTS OF ALL.
° CONSULT YOUR LOCAL BUILDING DEPT FOR EXACT FROST DEPTH, SIZES OF FOOTINGS AND COLUMNS.

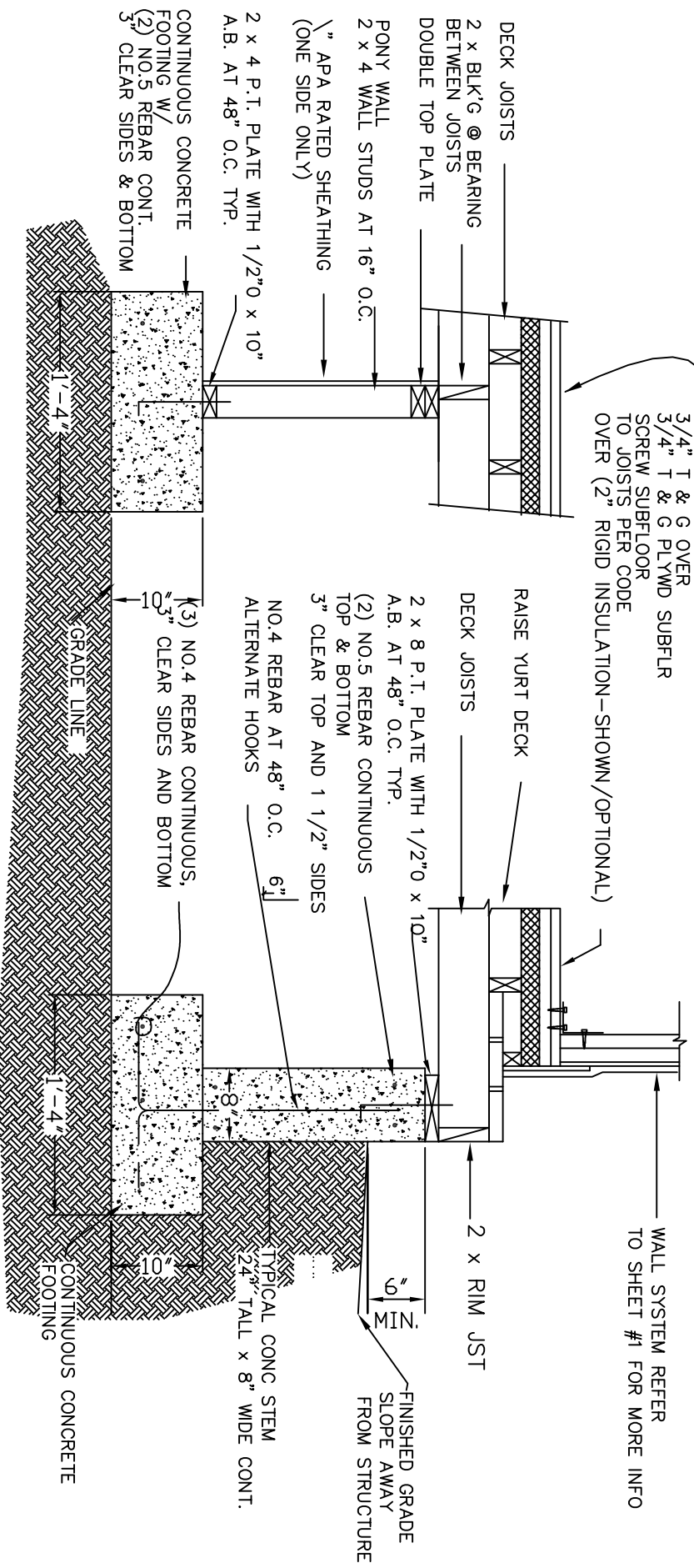
1
S8

AA
S1
SIM

NOTE:

- CONSULT YOUR CONSTRUCTION MANUAL FOR INSTALLATION OF WALLS, ROOF, FABRIC, LACING, DOME, & PROPER HEIGHTS OF ALL.
- CONSULT YOUR LOCAL BUILDING DEPT FOR EXACT FROST DEPTH, SIZES OF FOOTINGS AND COLUMNS.

YURT FLOORING
 INSTALL PER MFR SPEC
 3/4" T & G OVER
 3/4" T & G PLYWD SUBFLR
 SCREW SUBFLOOR
 TO JOISTS PER CODE
 OVER (2" RIGID INSULATION—SHOWN/OPTIONAL)



1 ALTERNATE FOUNDATION DETAIL