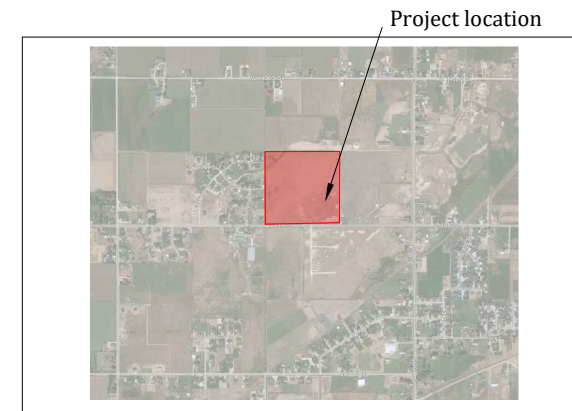
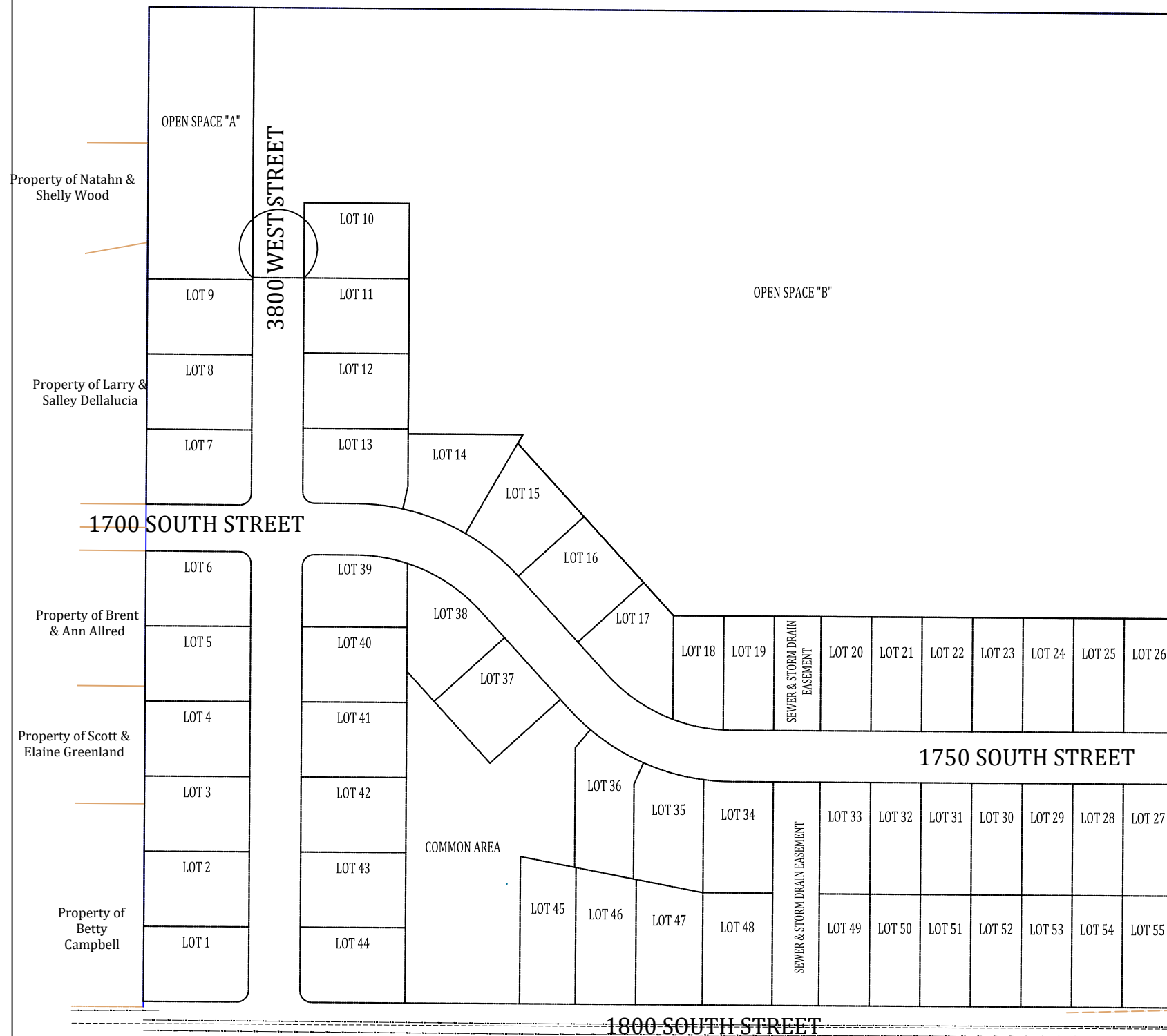


# STAGECOACH ESTATES IMPROVEMENT DRAWINGS



VICINITY MAP

No Scale

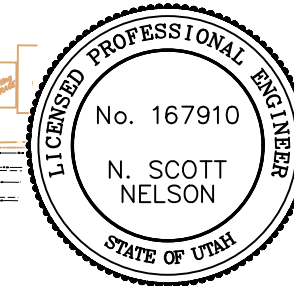


SHEET INDEX	
1 of 36	COVER SHEET
2 of 36	NOTES
3 of 36	SITE PLAN
4 of 36	SANITARY SEWER IMPROVEMENTS
5 of 36	STORM DRAIN IMPROVEMENTS
6 of 36	LAND DRAIN IMPROVEMENTS
7 of 36	CULINARY WATER IMPROVEMENTS
8 of 36	SECONDARY WATER IMPROVEMENTS
9 of 36	GRADING PLAN
10 of 36	3800 WEST STREET PLAN & PROFILE: STA 0+00 - 3+50
11 of 36	3800 WEST STREET PLAN & PROFILE: STA 3+50 - 7+00
12 of 36	3800 WEST STREET PLAN & PROFILE: STA 7+00 - 10+50
13 of 36	DETENTION POND #1 PLAN & PROFILE: STA 10+50 - 13+12
14 of 36	1750 SOUTH STREET PLAN & PROFILE: STA 100+00 - 103+50
15 of 36	1750 SOUTH STREET PLAN & PROFILE: STA 103+50 - 107+00
16 of 36	1750 SOUTH STREET PLAN & PROFILE: STA 107+00 - 110+50
17 of 36	1750 SOUTH STREET PLAN & PROFILE: STA 110+50 - 114+23
17 of 36	DETENTION POND #2 PLAN & PROFILE: STA 200+00 - 203+96

19 of 36	1800 SOUTH STREET PLAN & PROFILE: STA 300+00 - 303+50
20 of 36	1800 SOUTH STREET PLAN & PROFILE: STA 303+50 - 307+00
21 of 36	1800 SOUTH STREET PLAN & PROFILE: STA 307+00 - 310+50
22 of 36	1800 SOUTH STREET PLAN & PROFILE: STA 310+50 - 314+00
23 of 36	DETAILS: ROADS
24 of 36	DETAILS: ROADS
25 of 36	DETAILS: ROADS
26 of 36	DETAILS: ROAD
27 of 36	DETAILS: TRENCHING
28 of 36	DETAILS: CULINARY WATER
29 of 36	DETAILS: CULINARY WATER
30 of 36	DETAILS: CULINARY WATER & STORM DRAIN
31 of 36	DETAILS: STORM DRAIN
32 of 36	DETAILS: DETENTION POND #1 INLET/OUTLET STRUCTURE
33 of 36	DETAILS: DETENTION POND #2 INLET/OUTLET STRUCTURE
34 of 36	DETAILS: BOX CULVERT & STORM DRAIN VAULT
35 of 36	DETAILS: STORM DRAIN VAULT
36 of 36	DETAILS: STORM DRAIN VAULT

Property of  
Jeffery &  
Trudy East

**N**  
NO SCALE



Developer:  
Pat Burns  
Lync Construction  
801-710-2234

Approved for Construction  
Weber City Engineer  
Date: \_\_\_\_\_

Project:	IMPROVEMENTS STAGECOACH ESTATES WEBER COUNTY, UTAH	Prepared By:	Summers Engineering Collective - Jen Summers - Summers.eng.collective@gmail.com
Title:	COVER SHEET	#	Date:
Date:	22 OCTOBER 2021	Revision:	
Sheet 1 of 36			

Winston Park Subdivision

**ABBREVIATIONS USED IN DRAWINGS**

adj	adjust	dwg	drawing	hp	high point	pr	proposed	tbc	top back of curb
arv	air release valve	elec	electrical	in	inch	prc	point of reverse curve	tele	telephone
bw	back of walk	eg	existing grade	inv	invert	prv	pressure reducing valve	toa	top of asphalt
bvce	beginning vertical curve elev.	elev	elevation	irr	irrigation	pt	point of tangency	toe	toe of slope
bvcs	beginning vertical curve station	eoc	edge of concrete	lf	linear foot	pue	public utility easement	top	top of slope
bw	both ways	ep	edge of pavement	lip	lip of curb	pvc	polyvinyl chloride pipe	tow	top of wall
cb	catch basin	evce	end vertical curve elev.	lt	left	r	radius	tow	top of walk
chord	chord bearing	evcs	end vertical curve station	max	maximum	rc	rebar & cap	typ	typical
cl	centerline	ew	each way	mh	manhole	row	right of way	w	water
cmp	corrugated metal pipe	exist	existing	min	minimum	rt	right	wm	water meter
co	clean out	ff	finished floor elevation	mon	monument	sd	storm drain	wmh	water manhole
conc	concrete	fg	finished grade	nts	not to scale	sec cor	section corner	wv	water valve
conc	concrete	fh	fire hydrant	oc	on center	ser	south end radius		
cw	culinary water	fl	flow line	ohp	over head power	ss	sanitary sewer		
da	delta angle	fo	fiber optic	pc	point of curvature	ssmh	sanitary sewer manhole		
det	detail	ft	foot	pi	point of intersection	sta	station		
dia	diameter	gb	grade break	pl	property line	std	standard		
dip	ductile iron pipe	hdpe	high density poly ethylene	pp	power pole	sw	secondary water		

**UTILITY CONTACTS**

**TAYLOR WEST WEBER WATER IMPROVEMENT DISTRICT**  
 2815 WEST 3300 SOUTH  
 WEST HAVEN, UT 84401  
 (801) 731-1668  
 RYAN ROGERS, GENERAL MANAGER

**WEBER COUNTY FIRE DISTRICT**  
 2023 WEST 1300 NORTH  
 FARR WEST, UT 84404  
 (801) 782-3580  
 BRANDON J. THUESON, FIRE MARSHAL

**HOOPER IRRIGATION COMPANY**  
 5375 SOUTH 5500 WEST  
 HOOPER, UT 84315  
 (801) 388-3956  
 DENNIS FLINDERS, SECONDARY WATER MANAGER

**UTAH DIVISION OF ENVIRONMENTAL QUALITY**  
 195 NORTH 1950 WEST  
 SALT LAKE CITY, UT 84116  
 (801) 536-4123

**CENTRAL WEBER SEWER DISTRICT**  
 2618 WEST PIONEER ROAD  
 OGDEN, UT 84404  
 (801) 731-3011

**UTAH DIVISION OF DRINKING WATER**  
 195 NORTH 1950 WEST  
 SALT LAKE CITY, UT 84116  
 (801) 536-4400

**WEBER COUNTY ENGINEERING DEPARTMENT**  
 2380 WASHINGTON BLVD  
 SUITE 240  
 OGDEN, UT 84401  
 (801) 399-8374

**ROCKY MOUNTAIN POWER**  
 1438 WEST 2550 SOUTH  
 OGDEN, UT 84401  
 (866) 221-7070

**GENERAL CONSTRUCTION NOTES**

- The utilities shown on the drawings are for informational purposes only. The contractor shall locate all underground utilities, contact blue stakes and other applicable utilities prior to laying pipe within 200 feet of said utilities which may be exposed, damaged or crossed as shown on the drawings or as "blue staked". The contractor shall coordinate with the utility company to move the utility if necessary. The contractor shall not modify grade of project lines in order to go over and around existing utilities. The contractor shall pothole for the location of utilities prior to excavation.
- The contractor shall review and verify all dimensions shown on the drawings.
- The contractor shall be responsible to provide appropriate signing and barricading. All flagging, signage and barricades and all traffic control required shall be in compliance with the current "manual on uniform traffic control devices".
- All public and private roadways must be cleaned daily, or as often as required, of all loose dirt, mud, gravel and all debris as a result of the construction work. This requirement shall apply continuously throughout the duration of the project and shall not be limited to normal construction working hours.

- All dust on project site shall be controlled by sweeping and watering the construction area.
- The contractor shall be completely responsible for the job site conditions during the course of construction, including safety of all persons and adjoining property. This requirement shall apply continuously throughout the duration of the project and not be limited to normal construction working hours.
- Verify depth and location of all existing utilities prior to constructing any new utility lines. Notify project engineer of any discrepancies or conflicts prior to any connections being made.
- The contractor shall be responsible for meeting all of the requirements established for safe trenching. (See OSHA and UOSHA requirements, latest editions).
- Specific information provided in the contract documents shall supersede items covered in these drawings.
- The contractor shall contact and coordinate all utility connections with the utility owner.
- All construction to comply with specifications contained herein and with local City, County and State standards and specifications.

**CAUTION NOTICE TO CONTRACTOR**

The contractor is herewith instructed that the location and/or elevation of existing utilities as shown on these plans are based on records of the various utility companies and, where possible, measurements taken in the field. The information shown is not to be relied on as being exact or complete. The contractor is required to call the appropriate utility company as least 48 hours before any excavation to request exact field location of utilities. Is the sole responsibility of the contractor to relocate all existing utilities which conflict with the proposed improvements shown on the drawings.

The contractor shall assume sole and complete responsibility for job site conditions during the course of construction of this project, including safety of all persons and property. This requirement shall apply continuously and not be limited to the normal working hours; and the contractor shall defend, indemnify, and hold the owner and the engineer harmless from any and all liability, real or alleged, in connection with the performance of work on this project, excepting for liability arising from sole negligence of the owner or the engineer.

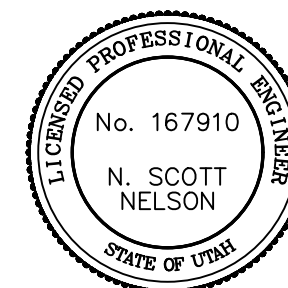
**LEGEND AND SYMBOLS**

	Centerline of road		Culinary water manhole & pipe		Fire hydrant
	Contour line		Fiber optic box & line		Storm drain catch basin
	Curb & gutter		Gas manhole & line		Street sign
	Easement line		Irrigation manhole and pipe		Street light
	Fence		Land drain manhole & pipe		Water meter
	Lot line		Power pole and line		Water valve
	Phase/boundary line		Sanitary sewer manhole & pipe		
	Right of way line		Storm drain manhole & pipe		
	Section corner & line		Telephone pedestal & line		

\*Note: All existing features will be in a shaded line

Developer:  
 Pat Burns  
 Lync Construction  
 801-710-2234

Approved for Construction  
 \_\_\_\_\_  
 Weber City Engineer  
 Date: \_\_\_\_\_



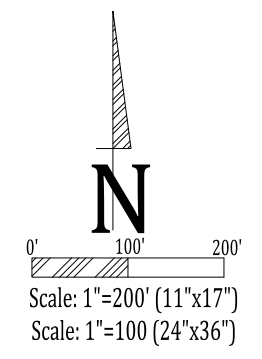
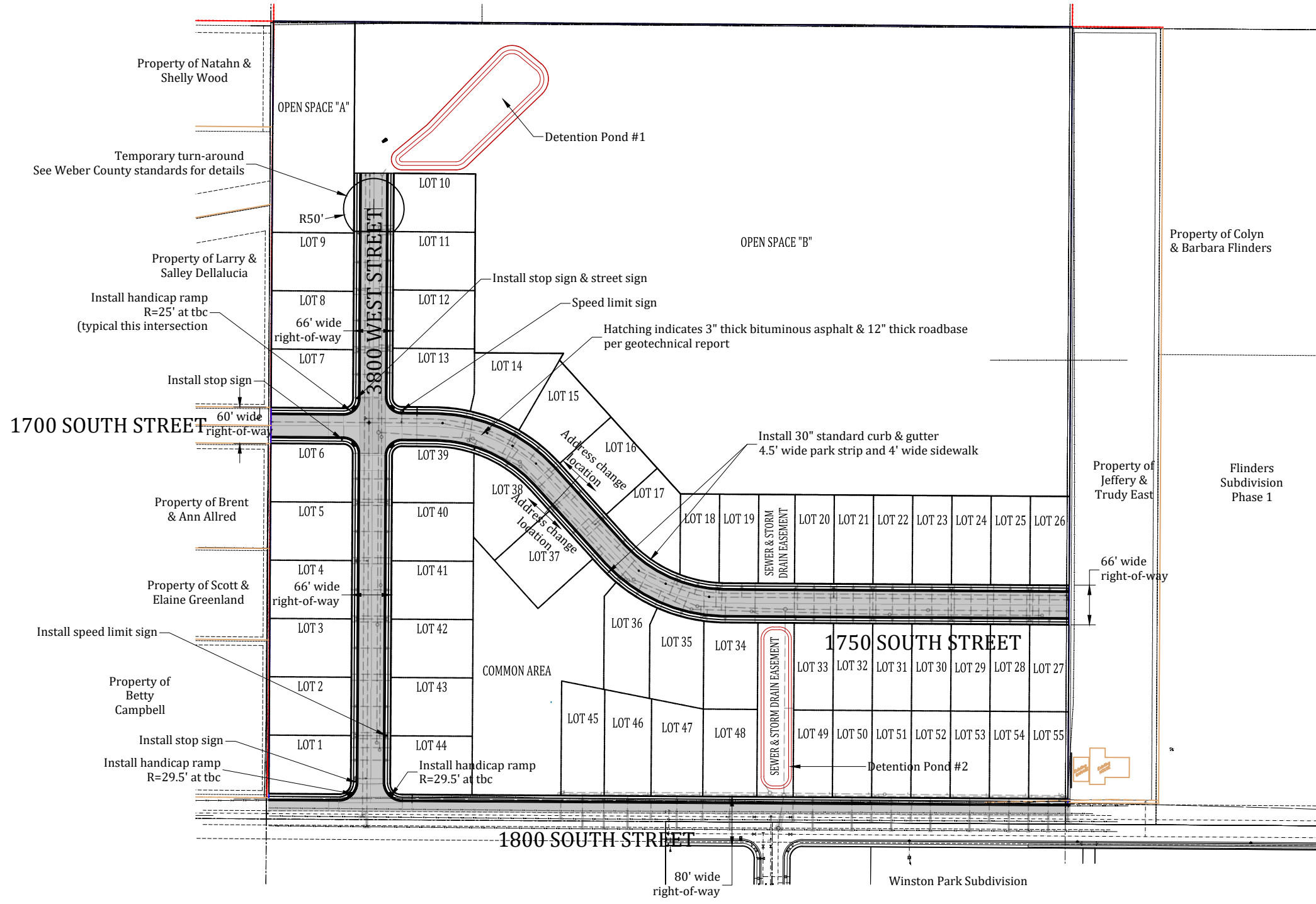
Project: **IMPROVEMENTS STAGECOACH ESTATES WEBER COUNTY, UTAH**

Prepared By: **Summers Engineering Collective**  
 - Jen Summers -  
 Summers.eng.collective@gmail.com

Title: **NOTES**  
 Date: 22 OCTOBER 2021 | Sheet 2 of 36

#	Date:	Revision:

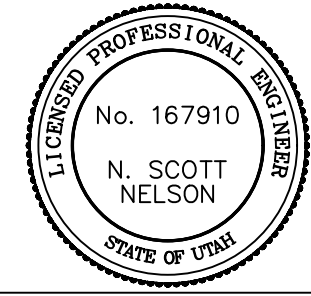
**CALL BEFORE YOU DIG. IT'S FREE & IT'S THE LAW.**  
 (TOLL FREE) **1-800-662-4111**  
**BLUE STAKES OF UTAH**  
 UTILITY NOTIFICATION CENTER, INC.  
[www.bluestakes.org](http://www.bluestakes.org)



Developer:  
Pat Burns  
Lync Construction  
801-710-2234

Approved for Construction  
Weber City Engineer  
Date: \_\_\_\_\_

**The Geotechnical Report provided by: CMT Engineering Laboratories (Project No. 10878, Dated March 7, 2018) has critical information in regards to this project and must be followed.**



Project: **IMPROVEMENTS STAGECOACH ESTATES WEBER COUNTY, UTAH**

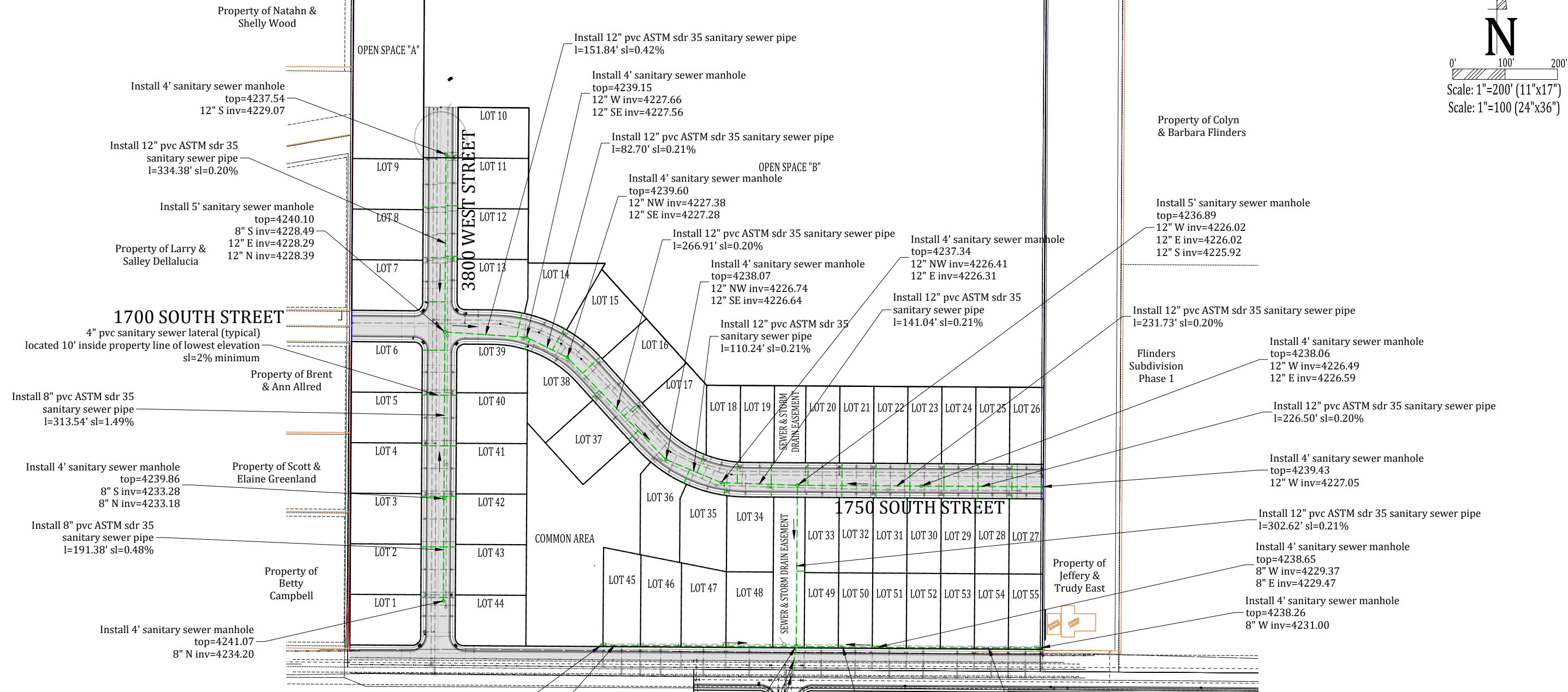
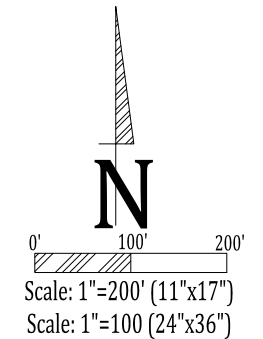
Title: **SITE PLAN**

Date: 22 OCTOBER 2021 | Sheet 3 of 36

Prepared By: **Summers Engineering Collective**  
- Jen Summers -  
Summers.eng.collective@gmail.com

#	Date	Revision

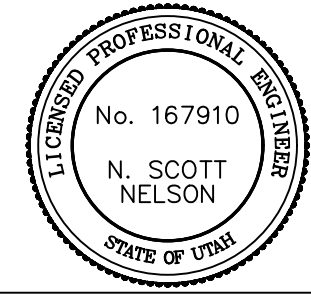




Developer:  
Pat Burns  
Lync Construction  
801-710-2234

Approved for Construction  
Weber City Engineer  
Date: \_\_\_\_\_

**The Geotechnical Report provided by: CMT Engineering Laboratories (Project No. 10878, Dated March 7, 2018) has critical information in regards to this project and must be followed.**



Project: **IMPROVEMENTS STAGECOACH ESTATES WEBER COUNTY, UTAH**

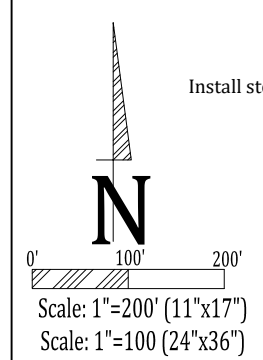
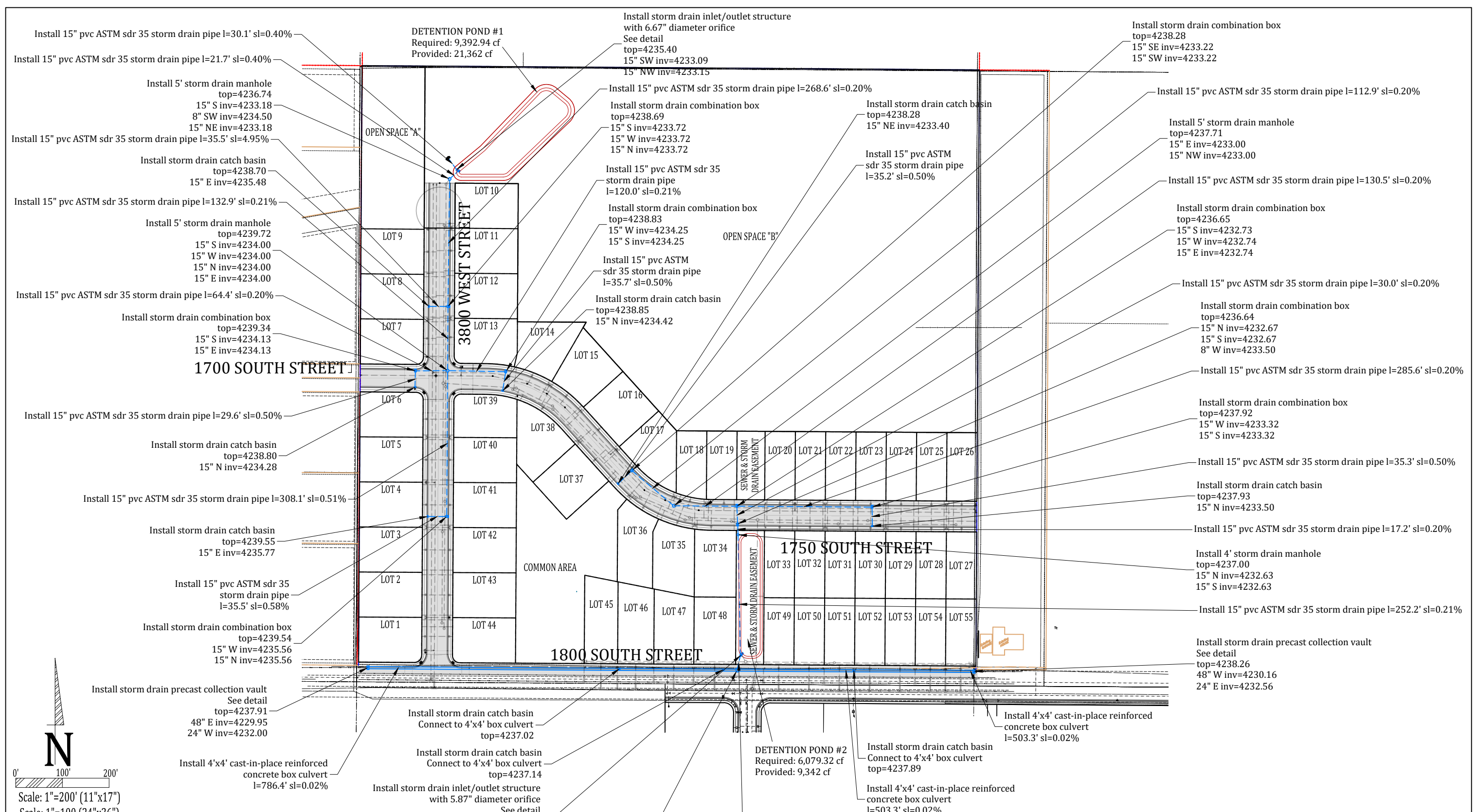
Title: **SANITARY SEWER IMPROVEMENTS**

Date: 22 OCTOBER 2021

Prepared By: **Summers Engineering Collective**  
- Jen Summers -  
Summers.eng.collective@gmail.com

#	Date:	Revision:

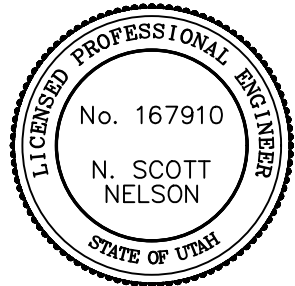




Developer:  
 Pat Burns  
 Lync Construction  
 801-710-2234

Approved for Construction  
 Weber City Engineer  
 Date: \_\_\_\_\_

**The Geotechnical Report provided by: CMT Engineering Laboratories (Project No. 10878, Dated March 7, 2018) has critical information in regards to this project and must be followed.**



Project: **IMPROVEMENTS STAGECOACH ESTATES WEBER COUNTY, UTAH**

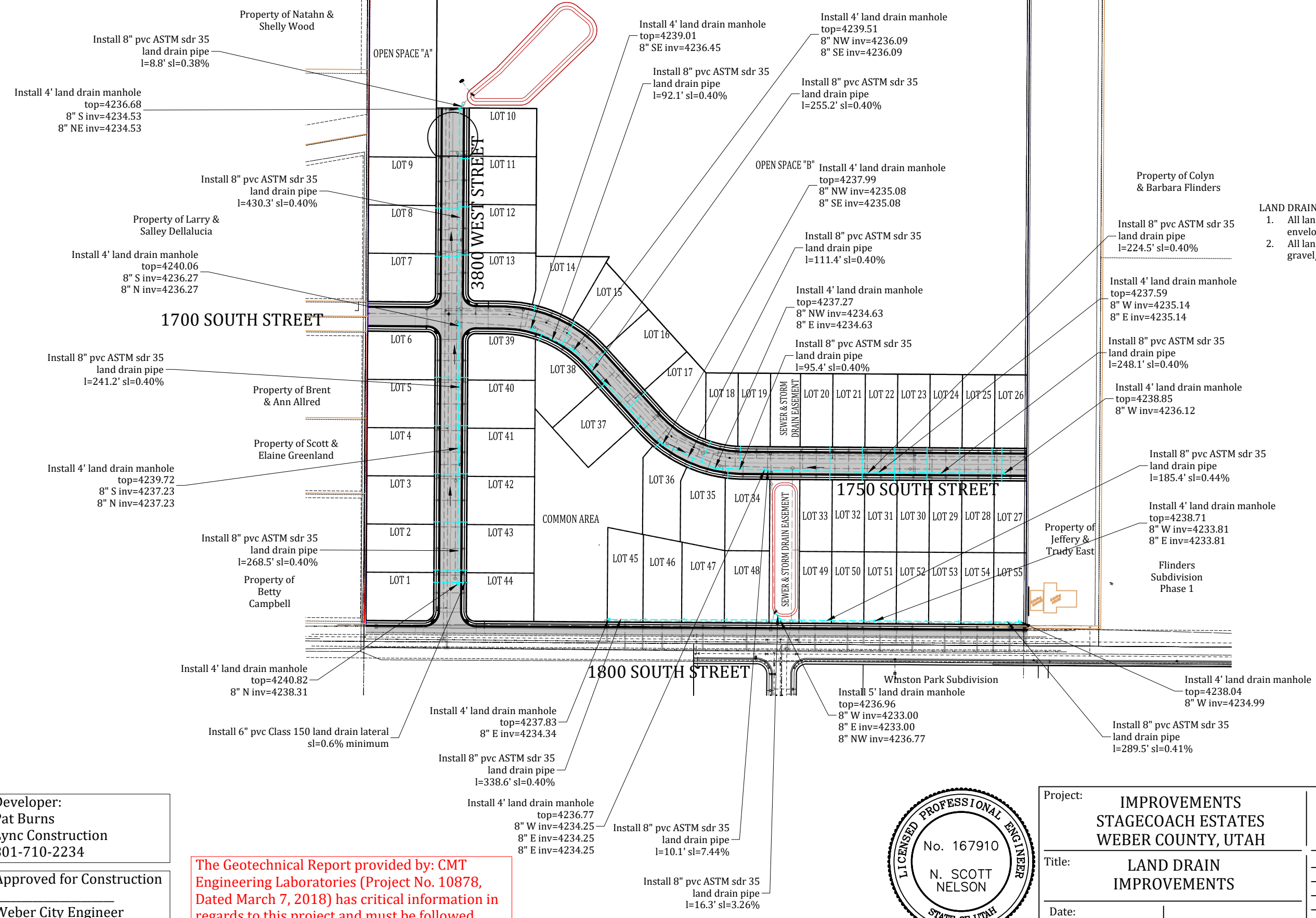
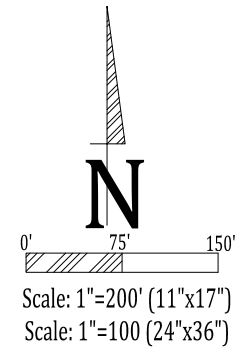
Title: **STORM DRAIN IMPROVEMENTS**

Date: 22 OCTOBER 2021

Prepared By: **Summers Engineering Collective**  
 - Jen Summers -  
 Summers.eng.collective@gmail.com

#	Date:	Revision:

Sheet 5 of 36

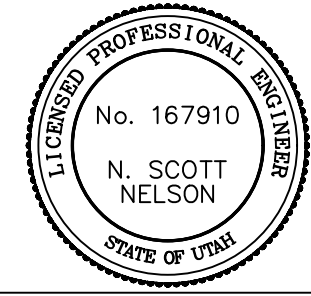


- LAND DRAIN NOTES:**
1. All land drain pipe to be perforated in a gravel/fabric envelope.
  2. All land drains laterals to be 6" perforated in gravel/fabric at sl=0.6% minimum

Developer:  
 Pat Burns  
 Lync Construction  
 801-710-2234

Approved for Construction  
 Weber City Engineer  
 Date: \_\_\_\_\_

**The Geotechnical Report provided by: CMT Engineering Laboratories (Project No. 10878, Dated March 7, 2018) has critical information in regards to this project and must be followed.**



Project: **IMPROVEMENTS STAGECOACH ESTATES WEBER COUNTY, UTAH**

Title: **LAND DRAIN IMPROVEMENTS**

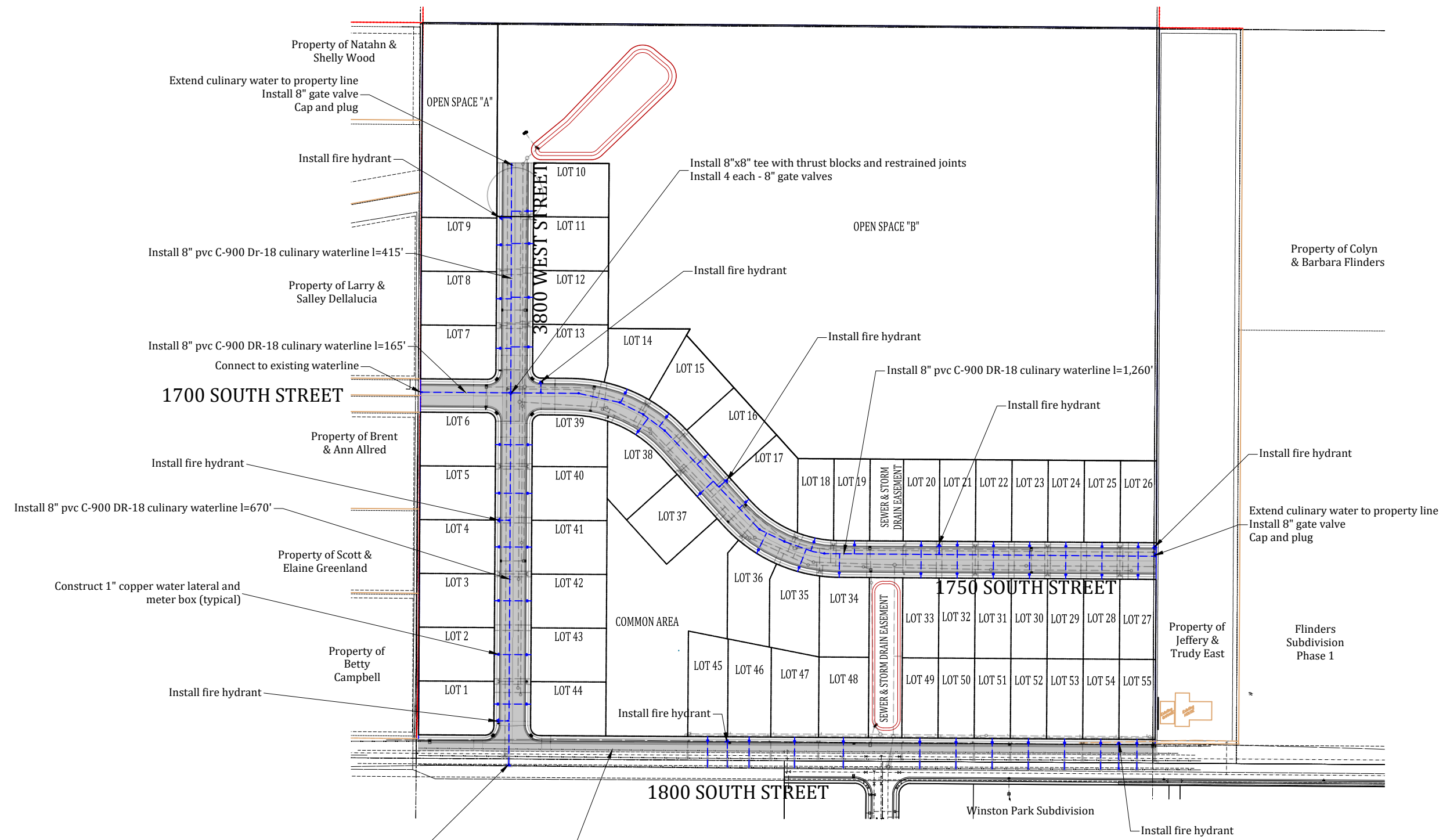
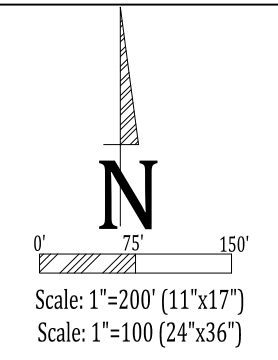
Date: 22 OCTOBER 2021

Sheet 6 of 36

Prepared By: **Summers Engineering Collective**  
 - Jen Summers -  
 Summers.eng.collective@gmail.com

#	Date:	Revision:



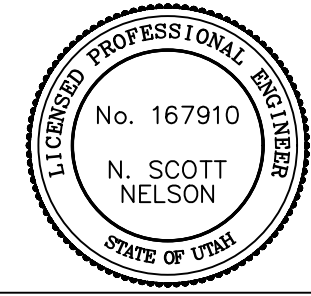


Developer:  
 Pat Burns  
 Lync Construction  
 801-710-2234

Approved for Construction

Weber City Engineer  
 Date: \_\_\_\_\_

**The Geotechnical Report provided by: CMT Engineering Laboratories (Project No. 10878, Dated March 7, 2018) has critical information in regards to this project and must be followed.**



Project: **IMPROVEMENTS STAGECOACH ESTATES WEBER COUNTY, UTAH**

Title: **CULINARY WATER IMPROVEMENTS**

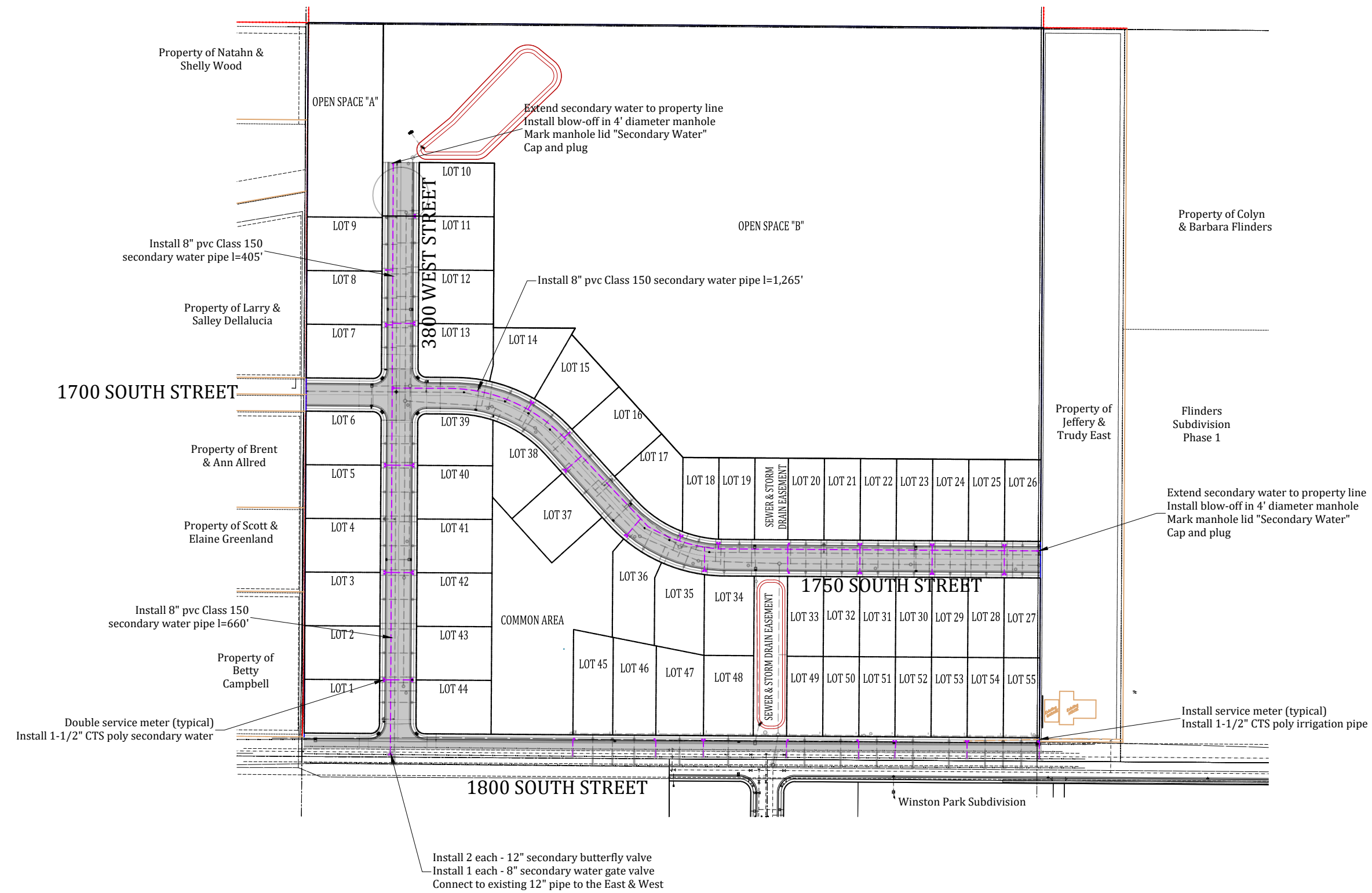
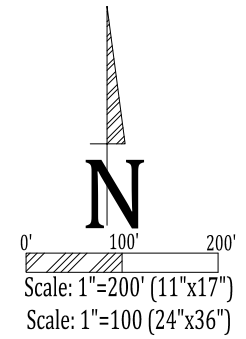
Date: 22 OCTOBER 2021

Sheet 7 of 36

Prepared By: **Summers Engineering Collective**  
 - Jen Summers -  
 Summers.eng.collective@gmail.com

#	Date:	Revision:



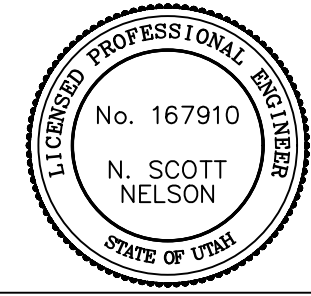


Developer:  
Pat Burns  
Lync Construction  
801-710-2234

Approved for Construction

Weber City Engineer  
Date: \_\_\_\_\_

**The Geotechnical Report provided by: CMT Engineering Laboratories (Project No. 10878, Dated March 7, 2018) has critical information in regards to this project and must be followed.**



Project: **IMPROVEMENTS STAGECOACH ESTATES WEBER COUNTY, UTAH**

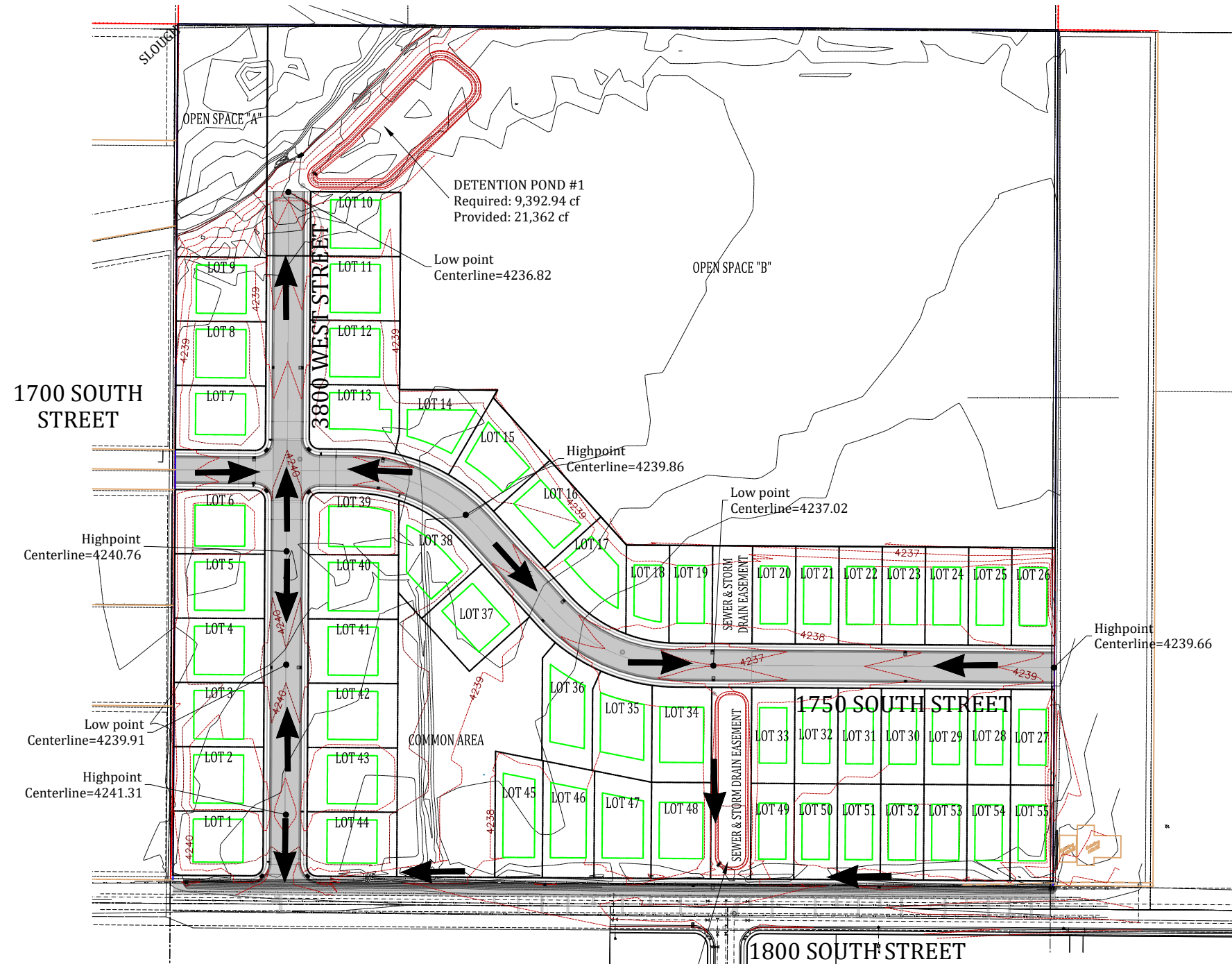
Title: **SECONDARY WATER IMPROVEMENTS**

Date: 22 OCTOBER 2021

Sheet 8 of 36

Prepared By: **Summers Engineering Collective**  
- Jen Summers -  
Summers.eng.collective@gmail.com

#	Date:	Revision:

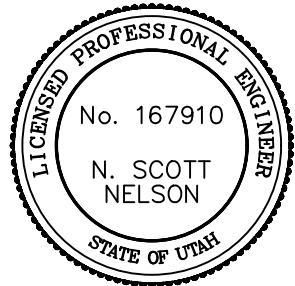
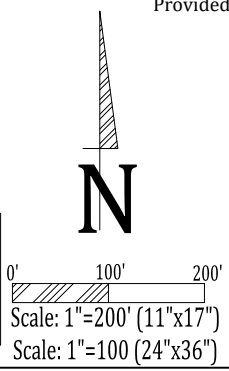


LOT INFORMATION		
LOT #	FINISH FLOOR ELEV	BUILDABLE AREA
1	4240.25	4843 sf
2	4241.5	5435 sf
3	4240.75	5435 sf
4	4240.5	5435 sf
5	4240.5	5435 sf
6	4241.25	4582 sf
7	4240.75	5440 sf
8	4240.25	5440 sf
9	4239.5	5437 sf
10	2438	5437 sf
11	2439.75	5437 sf
12	4240.25	5438 sf
13	4240.75	4711 sf
14	4240.50	4640 sf
15	4240.25	4877 sf
16	4240	4870 sf
17	4239	4547 sf
18	2438.25	3315 sf
19	42.3705	3536 sf
20	4237.75	3548 sf
21	4238	3546 sf
22	4238.5	3546 sf
23	4239	3546 sf
24	4239	3546 sf
25	4239.5	3546 sf
26	4240	3545 sf
27	4239.75	3412 sf
28	4239.5	3417 sf
29	4239	3414 sf
30	4239	3412 sf
31	4238.75	3409 sf
32	4238.25	3407 sf
33	4238.25	3404 sf
34	4238	5446 sf
35	4240.25	5551 sf
36	4238.5	5378 sf
37	4239.25	5146 sf
38	4239.75	5063 sf
39	4240.75	5480 sf
40	4240.5	5440 sf
41	4240.5	5440 sf
42	4240.75	5440 sf
43	4240	5436 sf
44	4239.25	4863 sf
45	4237.75	5378 sf
46	4238	5783 sf
47	4238.25	5750 sf
48	4238.25	5663 sf
49	4238	3438 sf
50	4239.25	3436 sf
51	4239.5	3433 sf
52	4240	3430 sf
53	4240	3427 sf
54	4239.5	3425 sf
55	4239.5	3415 sf

The Geotechnical Report provided by: CMT Engineering Laboratories (Project No. 10878, Dated March 7, 2018) has critical information in regards to this project and must be followed.

Developer:  
Pat Burns  
Lync Construction  
801-710-2234

Approved for Construction  
Weber City Engineer  
Date: \_\_\_\_\_



Project: **IMPROVEMENTS STAGECOACH ESTATES WEBER COUNTY, UTAH**

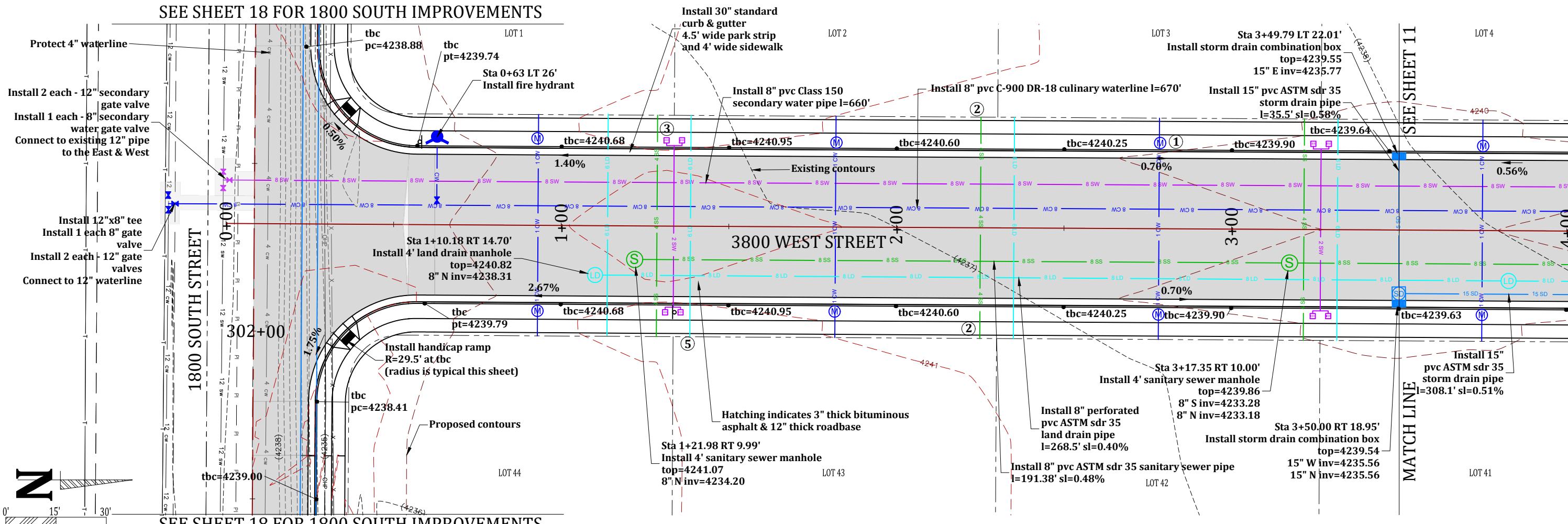
Title: **GRADING PLAN**

Date: 22 OCTOBER 2021 | Sheet 9 of 36

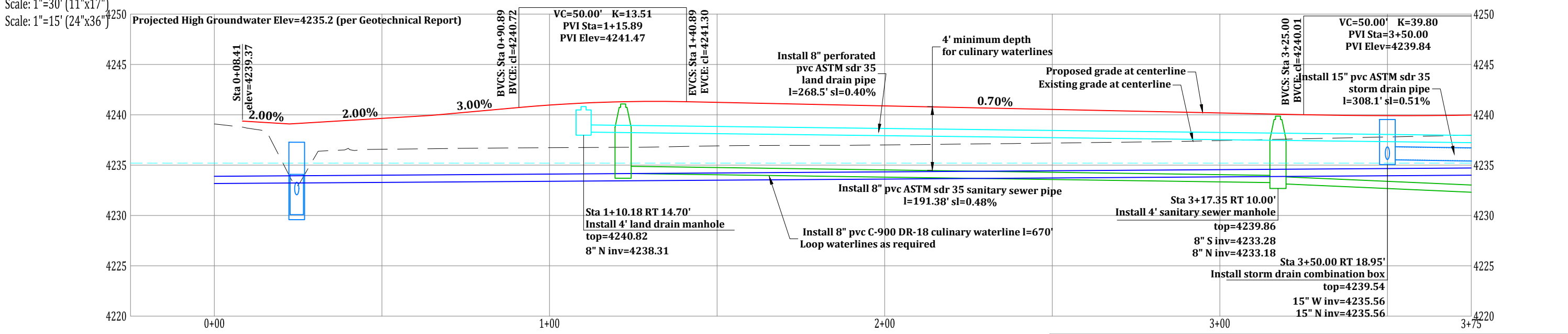
Prepared By: **Summers Engineering Collective**  
- Jen Summers -  
Summers.eng.collective@gmail.com

#	Date:	Revision:

SEE SHEET 18 FOR 1800 SOUTH IMPROVEMENTS



SEE SHEET 18 FOR 1800 SOUTH IMPROVEMENTS



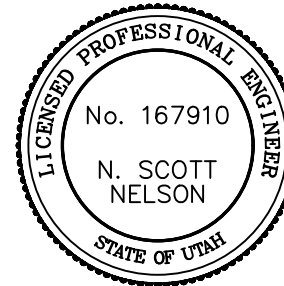
**CONSTRUCTION NOTES:**

- Construct 1" copper water lateral and meter box (typical).
- Install 4" pvc sanitary sewer lateral (typical) sl=2% minimum.
- Double service meter (typical). Install 1-1/2" CTS poly secondary water lateral.
- Install service meter (typical). Install 1-1/2" CTS poly secondary water lateral.
- Install 6" pvc Class 150 land drain lateral sl=0.6% minimum.
- The land drain pipe must be perforated pvc wrapped with 1" clean gravel and fabric liner on all 4 sides of gravel (includes all 6" laterals)

Approved for Construction  
Weber City Engineer  
Date: \_\_\_\_\_

Developer:  
Pat Burns  
Lync Construction  
801-710-2234

The Geotechnical Report provided by: CMT Engineering Laboratories (Project No. 10878, Dated March 7, 2018) has critical information in regards to this project and must be followed.

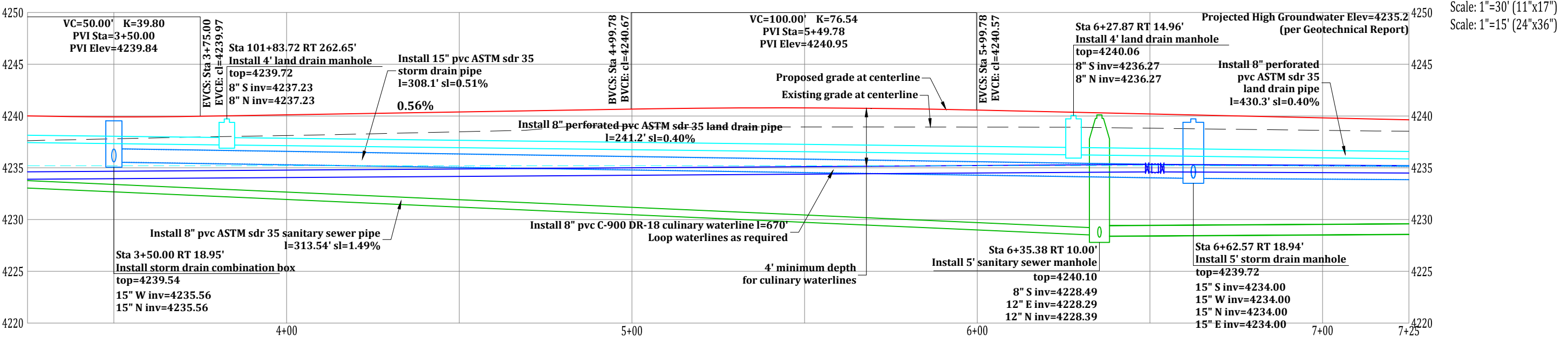
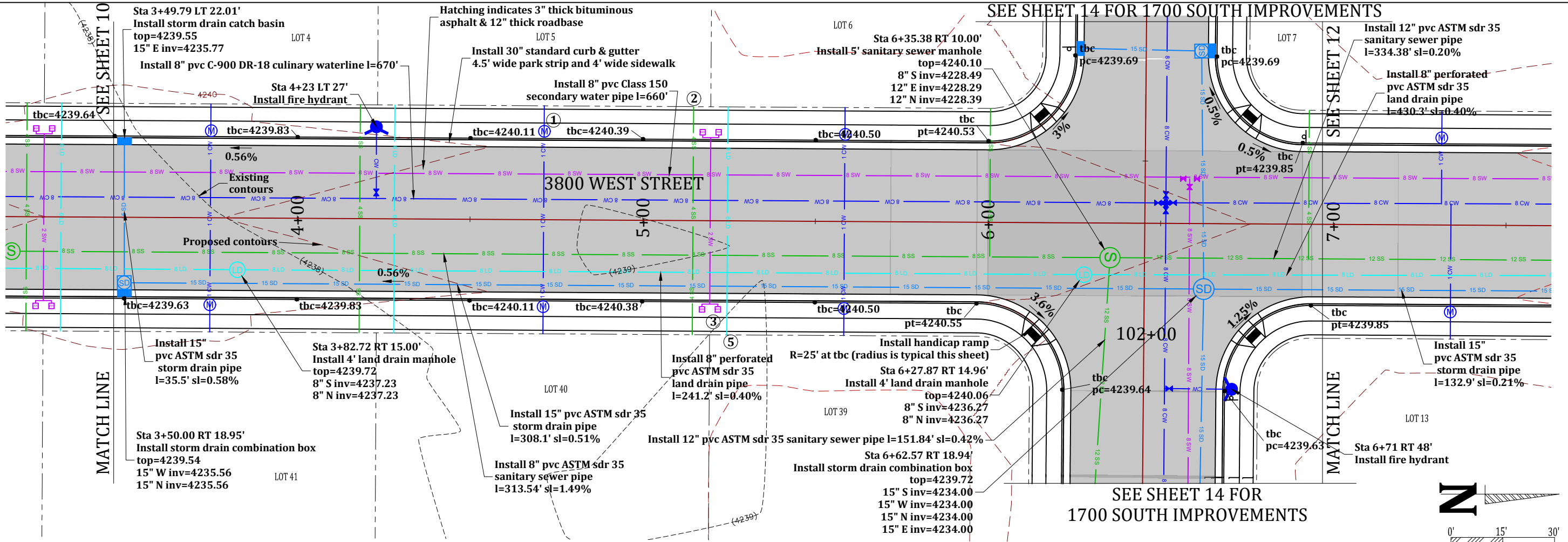


Project: **IMPROVEMENTS STAGECOACH ESTATES WEBER COUNTY, UTAH**  
Title: **3800 WEST STREET PLAN & PROFILE: STA 0+00 - 3+50**  
Date: 22 OCTOBER 2021 | Sheet 10 of 36

Prepared By: **Summers Engineering Collective**  
- Jen Summers -  
Summers.eng.collective@gmail.com

#	Date	Revision





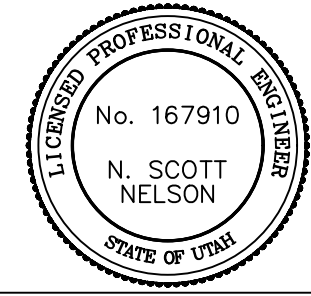
**CONSTRUCTION NOTES:**

- Construct 1" copper water lateral and meter box (typical).
- Install 4" pvc sanitary sewer lateral (typical) sl=2% minimum.
- Double service meter (typical). Install 1-1/2" CTS poly secondary water lateral.
- Install service meter (typical). Install 1-1/2" CTS poly secondary water lateral.
- Install 6" pvc Class 150 land drain lateral sl=0.6% minimum.
- The land drain pipe must be perforated pvc wrapped with 1" clean gravel and fabric liner on all 4 sides of gravel (includes all 6" laterals)

Approved for Construction  
 Weber City Engineer  
 Date: \_\_\_\_\_

Developer:  
 Pat Burns  
 Lync Construction  
 801-710-2234

The Geotechnical Report provided by: CMT Engineering Laboratories (Project No. 10878, Dated March 7, 2018) has critical information in regards to this project and must be followed.



Project: **IMPROVEMENTS STAGECOACH ESTATES WEBER COUNTY, UTAH**

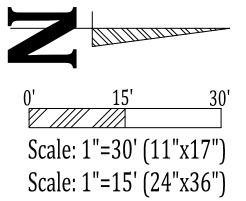
Title: **3800 WEST STREET PLAN & PROFILE: STA 3+50 - 7+00**

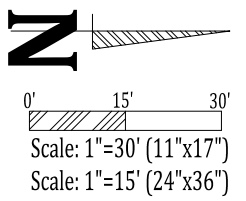
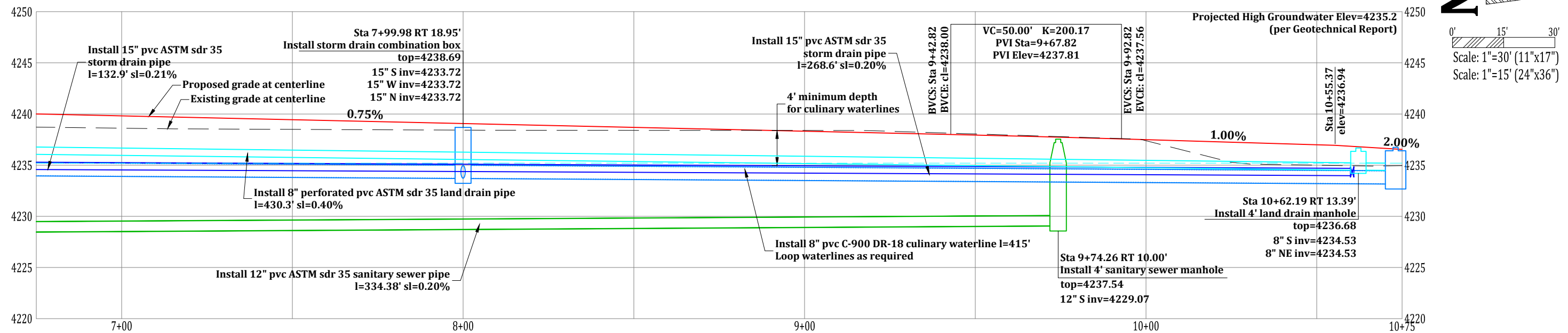
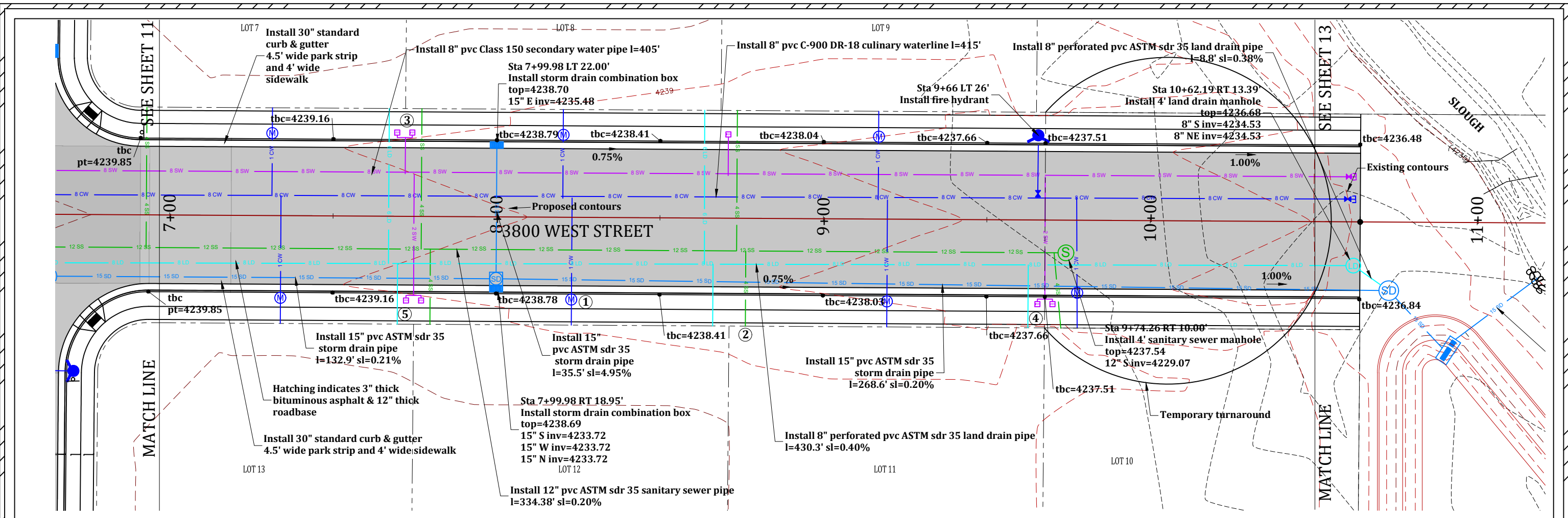
Date: 22 OCTOBER 2021

Prepared By: **Summers Engineering Collective**  
 - Jen Summers -  
 Summers.eng.collective@gmail.com

#	Date	Revision

Sheet 11 of 36





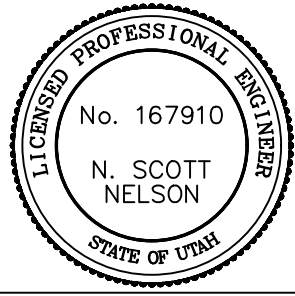
**CONSTRUCTION NOTES:**

1. Construct 1" copper water lateral and meter box (typical).
2. Install 4" pvc sanitary sewer lateral (typical) sl=2% minimum.
3. Double service meter (typical). Install 1-1/2" CTS poly secondary water lateral.
4. Install service meter (typical). Install 1-1/2" CTS poly secondary water lateral.
5. Install 6" pvc Class 150 land drain lateral sl=0.6% minimum.
6. The land drain pipe must be perforated pvc wrapped with 1" clean gravel and fabric liner on all 4 sides of gravel (includes all 6" laterals)

Approved for Construction  
 Weber City Engineer  
 Date: \_\_\_\_\_

Developer:  
 Pat Burns  
 Lync Construction  
 801-710-2234

The Geotechnical Report provided by: CMT Engineering Laboratories (Project No. 10878, Dated March 7, 2018) has critical information in regards to this project and must be followed.



Project: **IMPROVEMENTS STAGECOACH ESTATES WEBER COUNTY, UTAH**

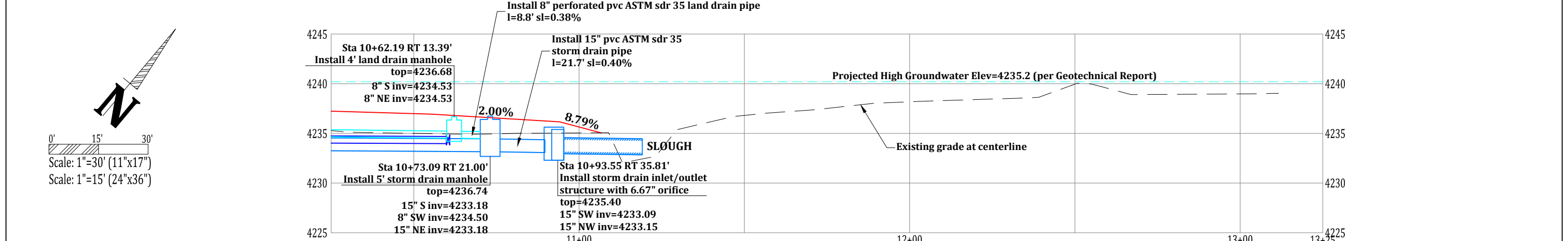
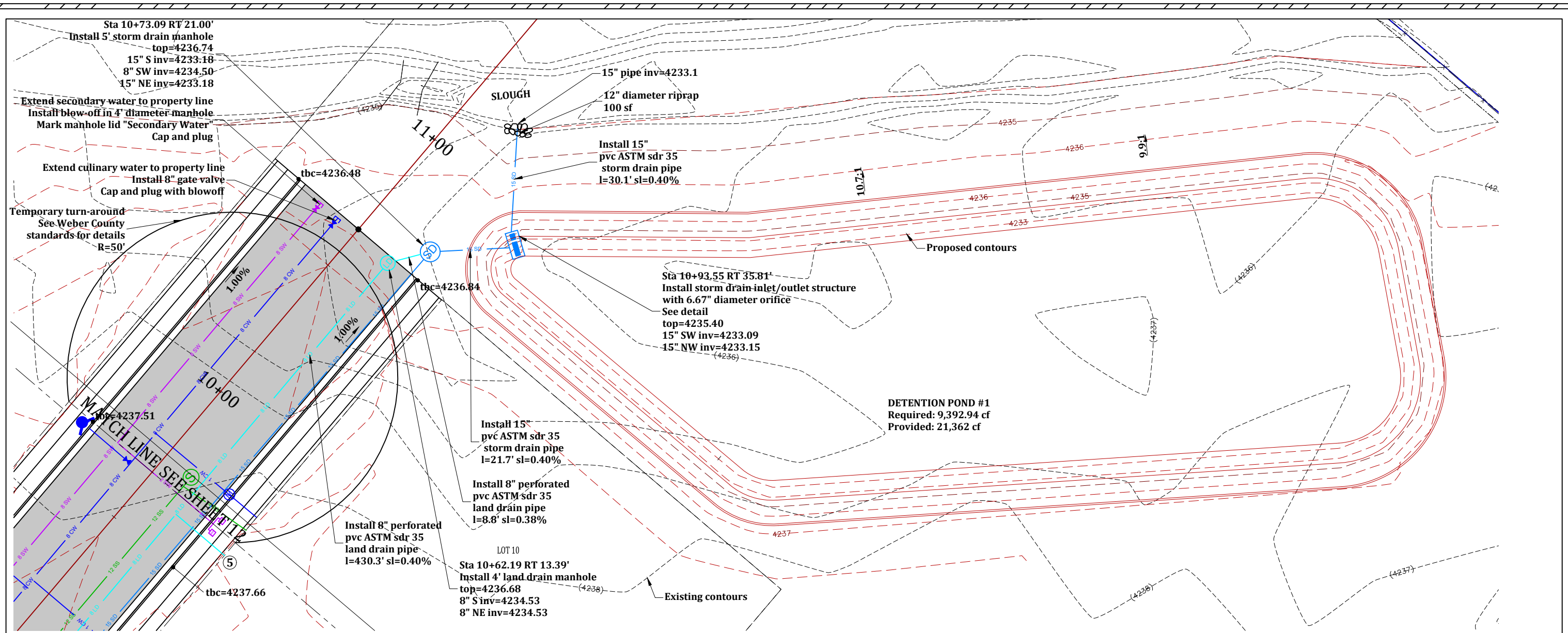
Title: **3800 WEST STREET PLAN & PROFILE: STA 7+00 - 10+50**

Date: 22 OCTOBER 2021

Prepared By: **Summers Engineering Collective**  
 - Jen Summers -  
 Summers.eng.collective@gmail.com

#	Date	Revision





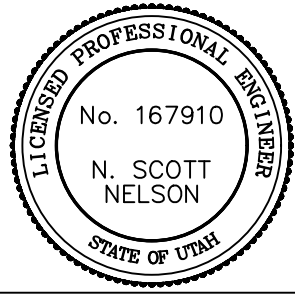
- CONSTRUCTION NOTES:**
1. Construct 1" copper water lateral and meter box (typical).
  2. Install 4" pvc sanitary sewer lateral (typical) sl=2% minimum.

3. Double service meter (typical). Install 1-1/2" CTS poly secondary water lateral.
4. Install service meter (typical). Install 1-1/2" CTS poly secondary water lateral.
5. Install 6" pvc Class 150 land drain lateral sl=0.6% minimum.
6. The land drain pipe must be perforated pvc wrapped with 1" clean gravel and fabric liner on all 4 sides of gravel (includes all 6" laterals)

Approved for Construction  
Weber City Engineer  
Date: \_\_\_\_\_

Developer:  
Pat Burns  
Lync Construction  
801-710-2234

The Geotechnical Report provided by: CMT Engineering Laboratories (Project No. 10878, Dated March 7, 2018) has critical information in regards to this project and must be followed.



Project: **IMPROVEMENTS STAGECOACH ESTATES WEBER COUNTY, UTAH**

Title: **DETENTION POND #1**

Date: 22 OCTOBER 2021

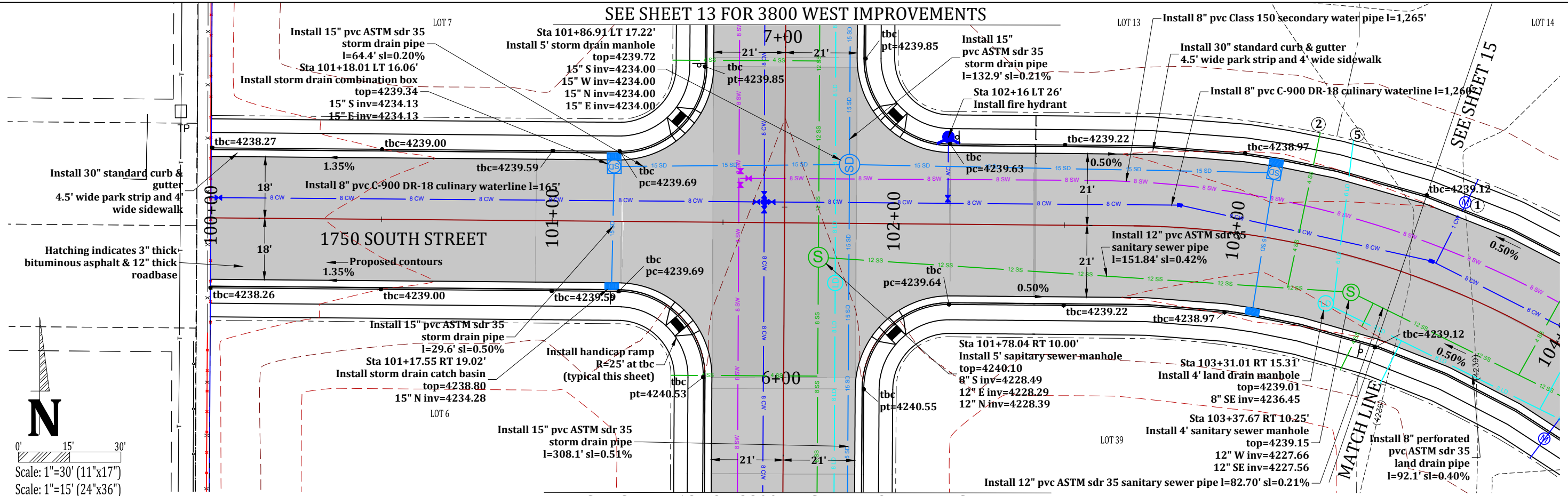
Prepared By: **Summers Engineering Collective**  
- Jen Summers -  
Summers.eng.collective@gmail.com

#	Date:	Revision:

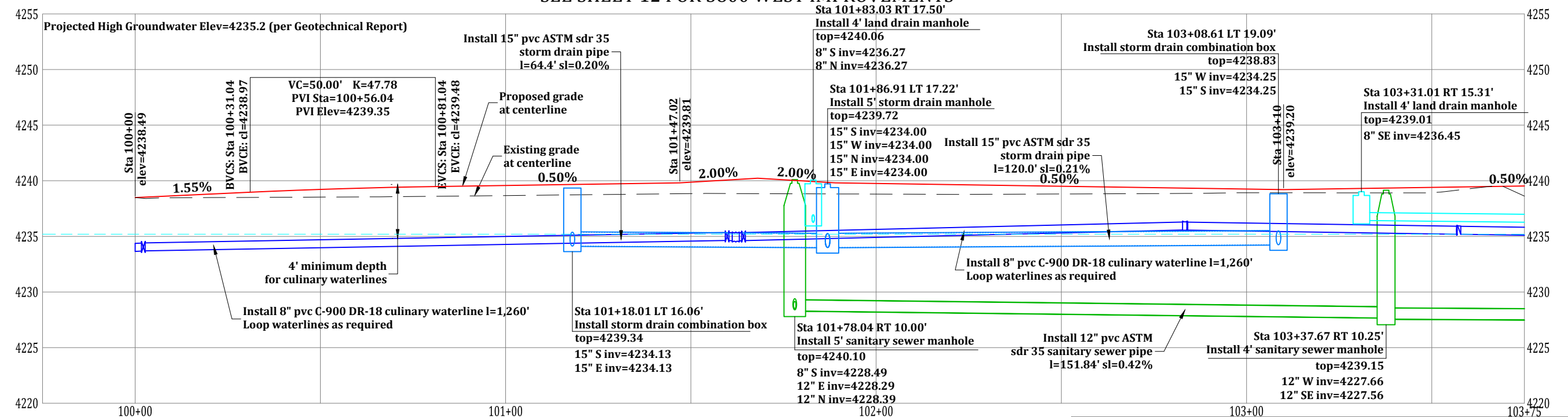
Sheet 13 of 36



SEE SHEET 13 FOR 3800 WEST IMPROVEMENTS



SEE SHEET 12 FOR 3800 WEST IMPROVEMENTS



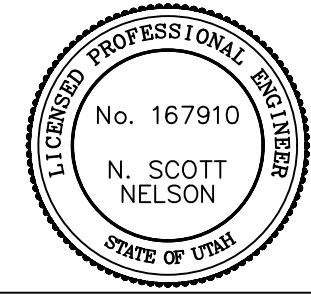
**CONSTRUCTION NOTES:**

- Construct 1" copper water lateral and meter box (typical).
- Install 4" pvc sanitary sewer lateral (typical) sl=2% minimum.
- Double service meter (typical). Install 1-1/2" CTS poly secondary water lateral.
- Install service meter (typical). Install 1-1/2" CTS poly secondary water lateral.
- Install 6" pvc Class 150 land drain lateral sl=0.6% minimum.
- The land drain pipe must be perforated pvc wrapped with 1" clean gravel and fabric liner on all 4 sides of gravel (includes all 6" laterals)

Approved for Construction  
Weber City Engineer  
Date: \_\_\_\_\_

Developer:  
Pat Burns  
Lync Construction  
801-710-2234

The Geotechnical Report provided by: CMT Engineering Laboratories (Project No. 10878, Dated March 7, 2018) has critical information in regards to this project and must be followed.



Project: **IMPROVEMENTS STAGECOACH ESTATES WEBER COUNTY, UTAH**

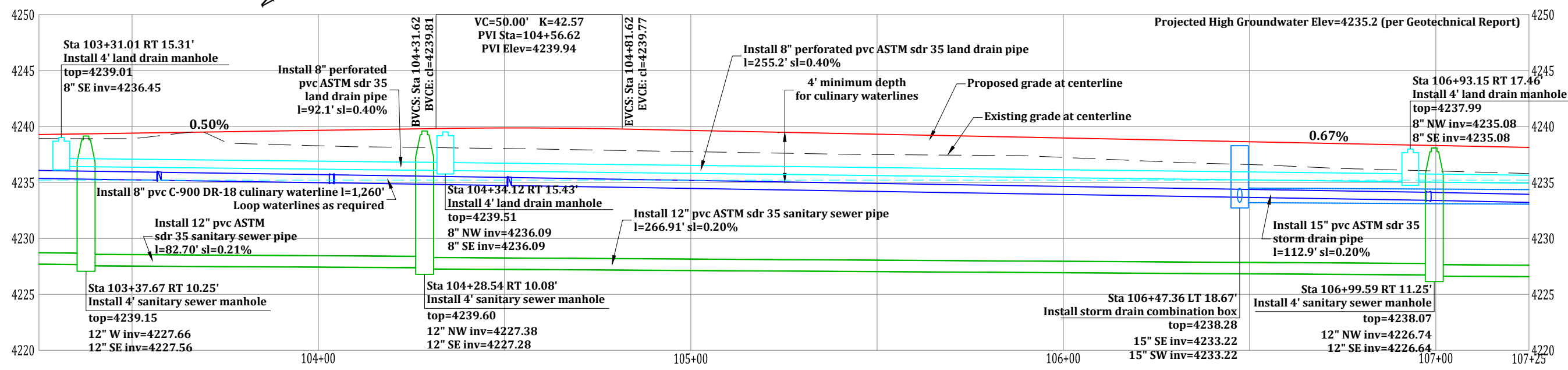
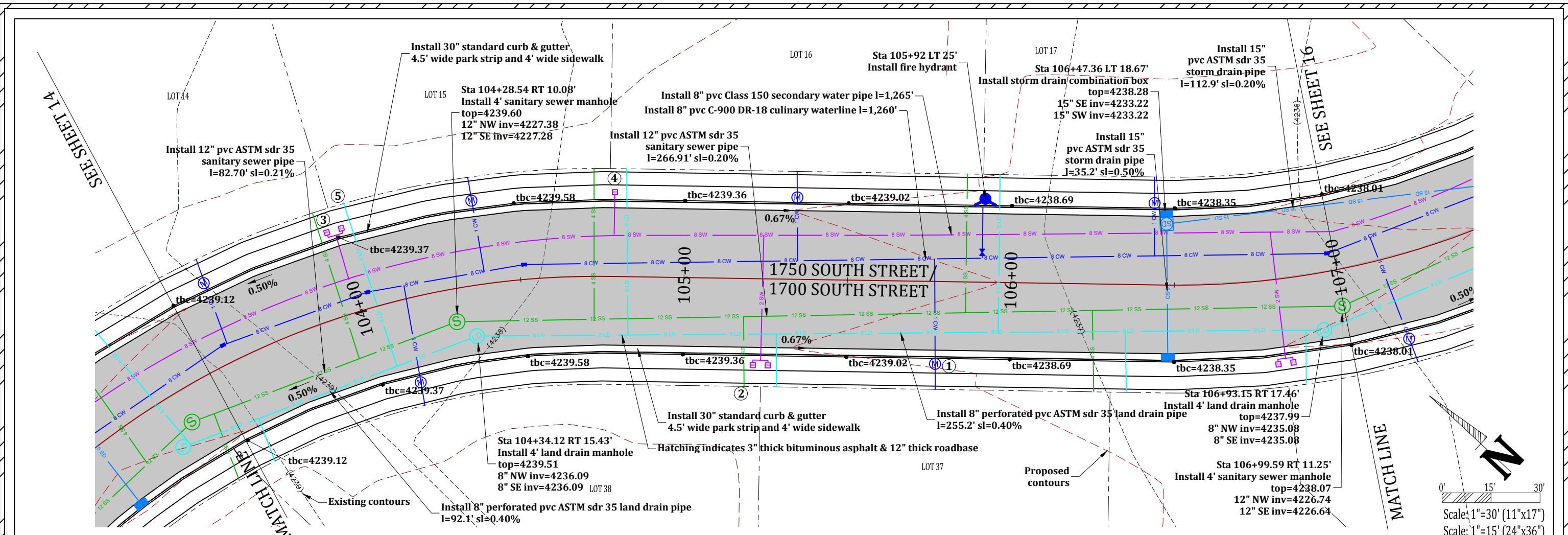
Title: **1750 SOUTH STREET PLAN & PROFILE: STA 100+00 - 103+50**

Date: 22 OCTOBER 2021

Prepared By: **Summers Engineering Collective**  
- Jen Summers -  
Summers.eng.collective@gmail.com

#	Date	Revision

Sheet 14 of 36



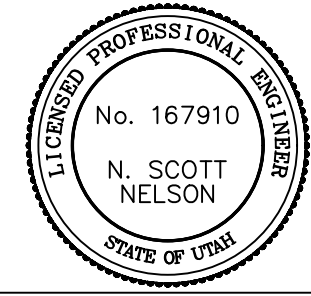
**CONSTRUCTION NOTES:**

- Construct 1" copper water lateral and meter box (typical).
- Install 4" pvc sanitary sewer lateral (typical) sl=2% minimum.
- Double service meter (typical). Install 1-1/2" CTS poly secondary water lateral.
- Install service meter (typical). Install 1-1/2" CTS poly secondary water lateral.
- Install 6" pvc Class 150 land drain lateral sl=0.6% minimum.
- The land drain pipe must be perforated pvc wrapped with 1" clean gravel and fabric liner on all 4 sides of gravel (includes all 6" laterals)

Approved for Construction  
Weber City Engineer  
Date: \_\_\_\_\_

Developer:  
Pat Burns  
Lync Construction  
801-710-2234

The Geotechnical Report provided by: CMT Engineering Laboratories (Project No. 10878, Dated March 7, 2018) has critical information in regards to this project and must be followed.



Project: **IMPROVEMENTS STAGECOACH ESTATES WEBER COUNTY, UTAH**

Title: **1750/1700 SOUTH STREET PLAN & PROFILE: STA 103+50 - 107+00**

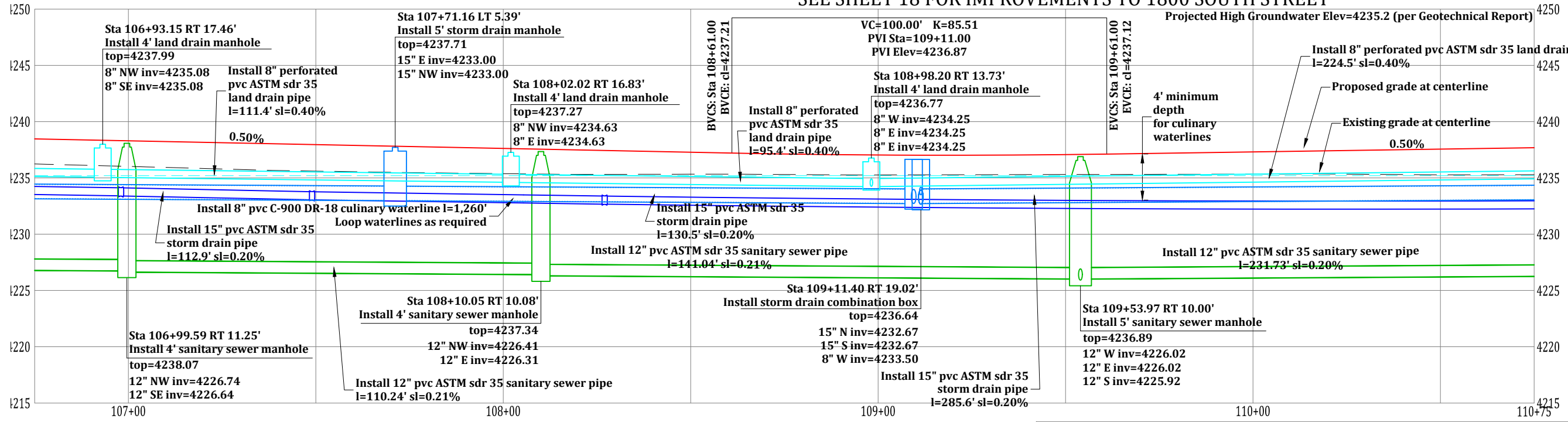
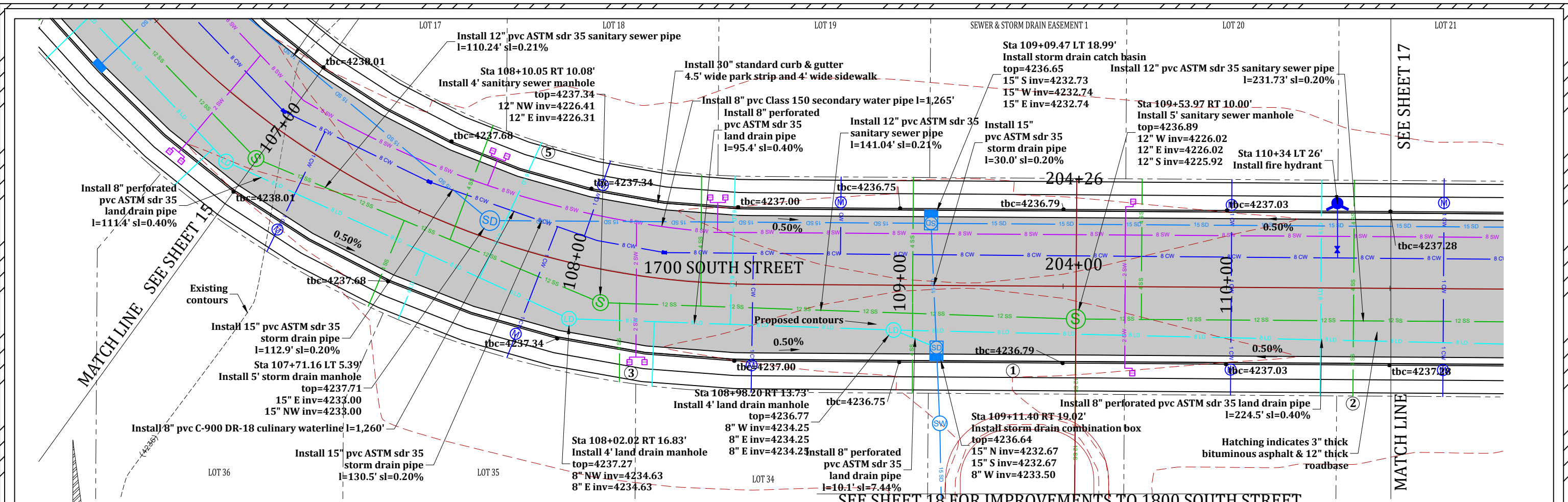
Date: 22 OCTOBER 2021

Prepared By: **Summers Engineering Collective**  
- Jen Summers -  
Summers.eng.collective@gmail.com

#	Date:	Revision:

Sheet 15 of 36





- CONSTRUCTION NOTES:**
1. Construct 1" copper water lateral and meter box (typical).
  2. Install 4" pvc sanitary sewer lateral (typical) sl=2% minimum.

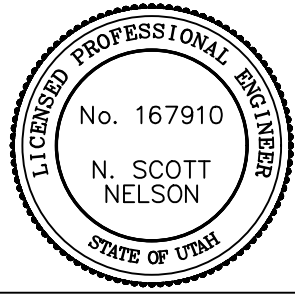
3. Double service meter (typical). Install 1-1/2" CTS poly secondary water lateral.
4. Install service meter (typical). Install 1-1/2" CTS poly secondary water lateral.

5. Install 6" pvc Class 150 land drain lateral sl=0.6% minimum.
6. The land drain pipe must be perforated pvc wrapped with 1" clean gravel and fabric liner on all 4 sides of gravel (includes all 6" laterals)

Approved for Construction  
Weber City Engineer  
Date: \_\_\_\_\_

Developer:  
Pat Burns  
Lync Construction  
801-710-2234

The Geotechnical Report provided by: CMT Engineering Laboratories (Project No. 10878, Dated March 7, 2018) has critical information in regards to this project and must be followed.



Project: **IMPROVEMENTS STAGECOACH ESTATES WEBER COUNTY, UTAH**

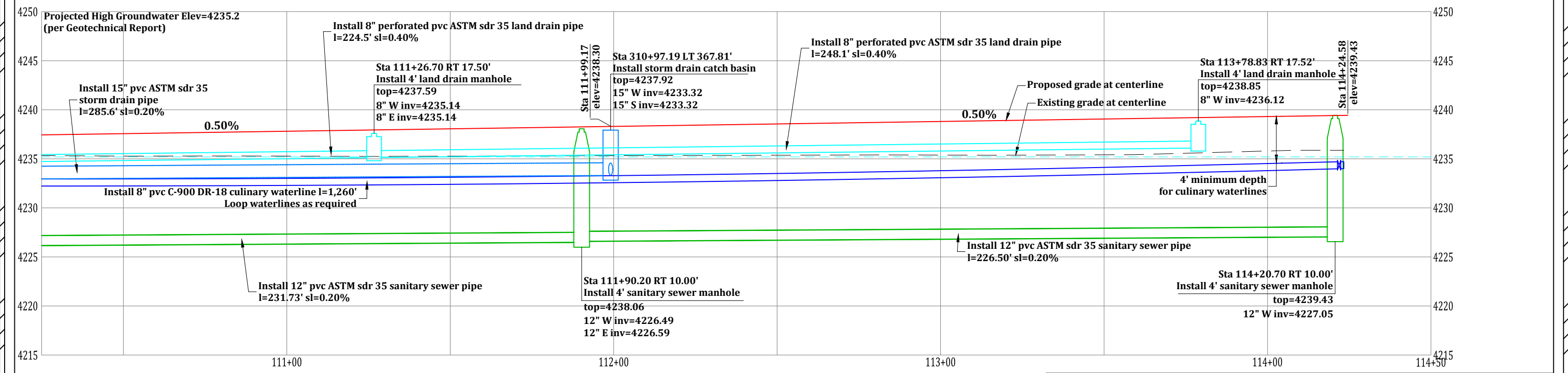
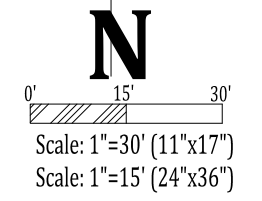
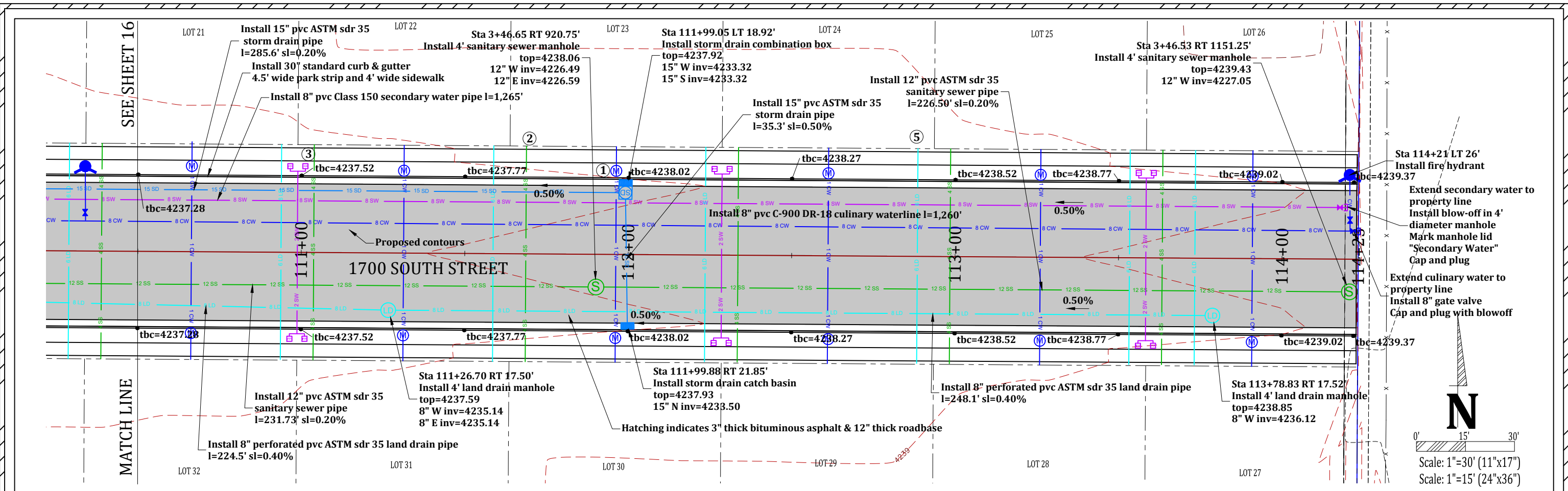
Title: **1750 SOUTH STREET PLAN & PROFILE: STA 107+00 - 110+50**

Date: 22 OCTOBER 2021

Prepared By: **Summers Engineering Collective**  
- Jen Summers -  
Summers.eng.collective@gmail.com

#	Date:	Revision:





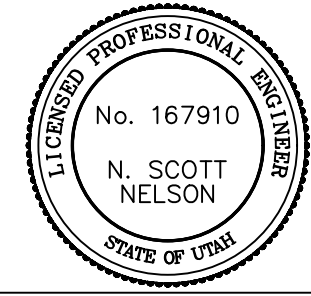
**CONSTRUCTION NOTES:**

1. Construct 1" copper water lateral and meter box (typical).
2. Install 4" pvc sanitary sewer lateral (typical) sl=2% minimum.
3. Double service meter (typical). Install 1-1/2" CTS poly secondary water lateral.
4. Install service meter (typical). Install 1-1/2" CTS poly secondary water lateral.
5. Install 6" pvc Class 150 land drain lateral sl=0.6% minimum.
6. The land drain pipe must be perforated pvc wrapped with 1" clean gravel and fabric liner on all 4 sides of gravel (includes all 6" laterals)

Approved for Construction  
 Weber City Engineer  
 Date: \_\_\_\_\_

Developer:  
 Pat Burns  
 Lync Construction  
 801-710-2234

The Geotechnical Report provided by: CMT Engineering Laboratories (Project No. 10878, Dated March 7, 2018) has critical information in regards to this project and must be followed.



Project: **IMPROVEMENTS STAGECOACH ESTATES WEBER COUNTY, UTAH**

Title: **1750 SOUTH STREET PLAN & PROFILE: STA 110+00 - 114+23**

Date: 22 OCTOBER 2021

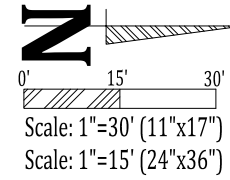
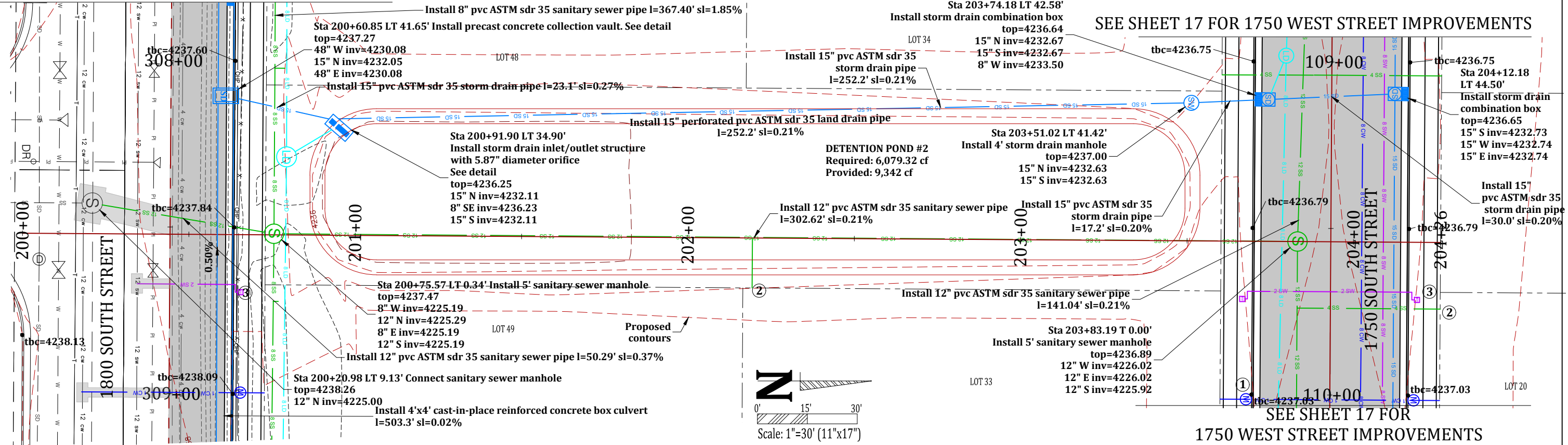
Prepared By: **Summers Engineering Collective**  
 - Jen Summers -  
 Summers.eng.collective@gmail.com

#	Date	Revision

Sheet 17 of 36

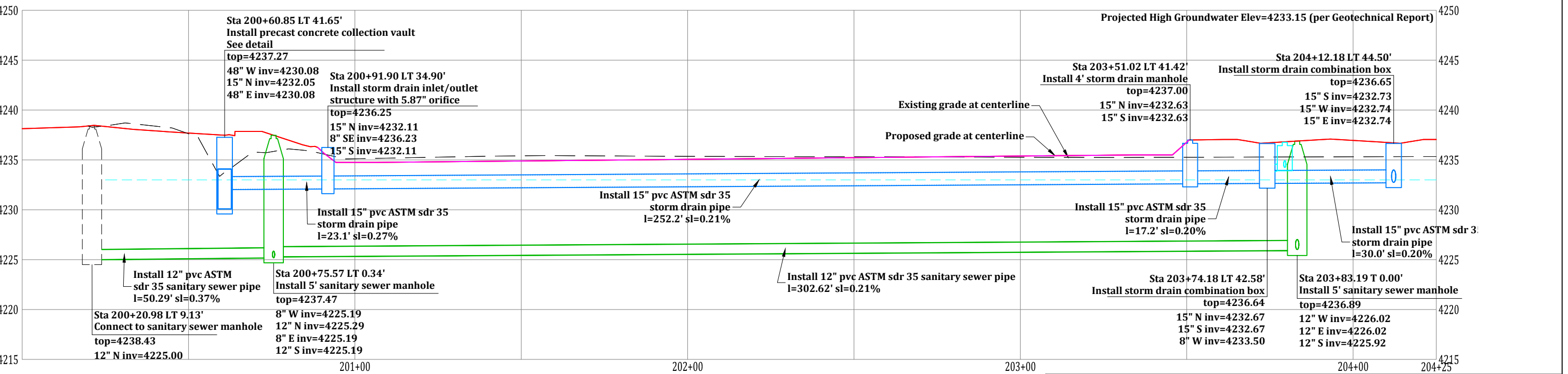
SEE SHEET 21 FOR 1800 SOUTH IMPROVEMENTS

SEE SHEET 17 FOR 1750 WEST STREET IMPROVEMENTS



SEE SHEET 21 FOR 1800 SOUTH IMPROVEMENTS

SEE SHEET 17 FOR 1750 WEST STREET IMPROVEMENTS



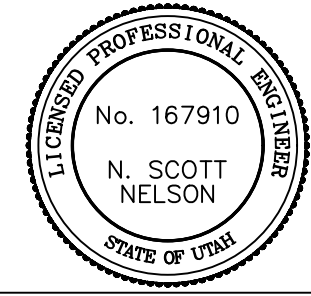
CONSTRUCTION NOTES:

- Construct 1" copper water lateral and meter box (typical).
- Install 4" pvc sanitary sewer lateral (typical) sl=2% minimum.
- Double service meter (typical). Install 1-1/2" CTS poly secondary water lateral.
- Install service meter (typical). Install 1-1/2" CTS poly secondary water lateral.
- Install 6" pvc Class 150 land drain lateral sl=0.6% minimum.
- The land drain pipe must be perforated pvc wrapped with 1" clean gravel and fabric liner on all 4 sides of gravel (includes all 6" laterals)

Approved for Construction  
 Weber City Engineer  
 Date: \_\_\_\_\_

Developer:  
 Pat Burns  
 Lync Construction  
 801-710-2234

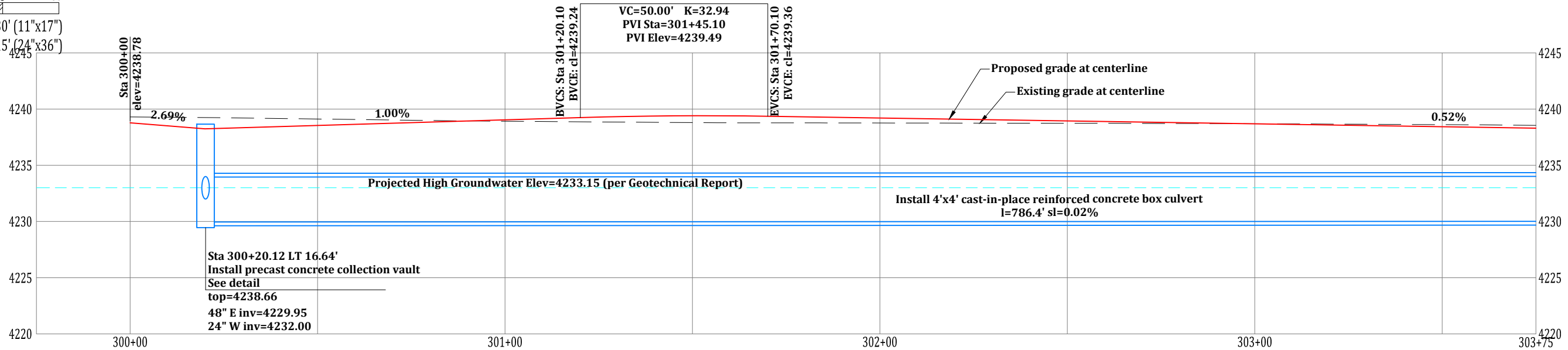
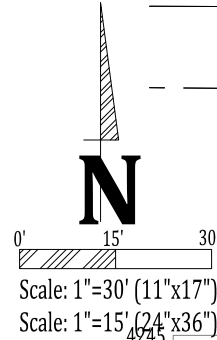
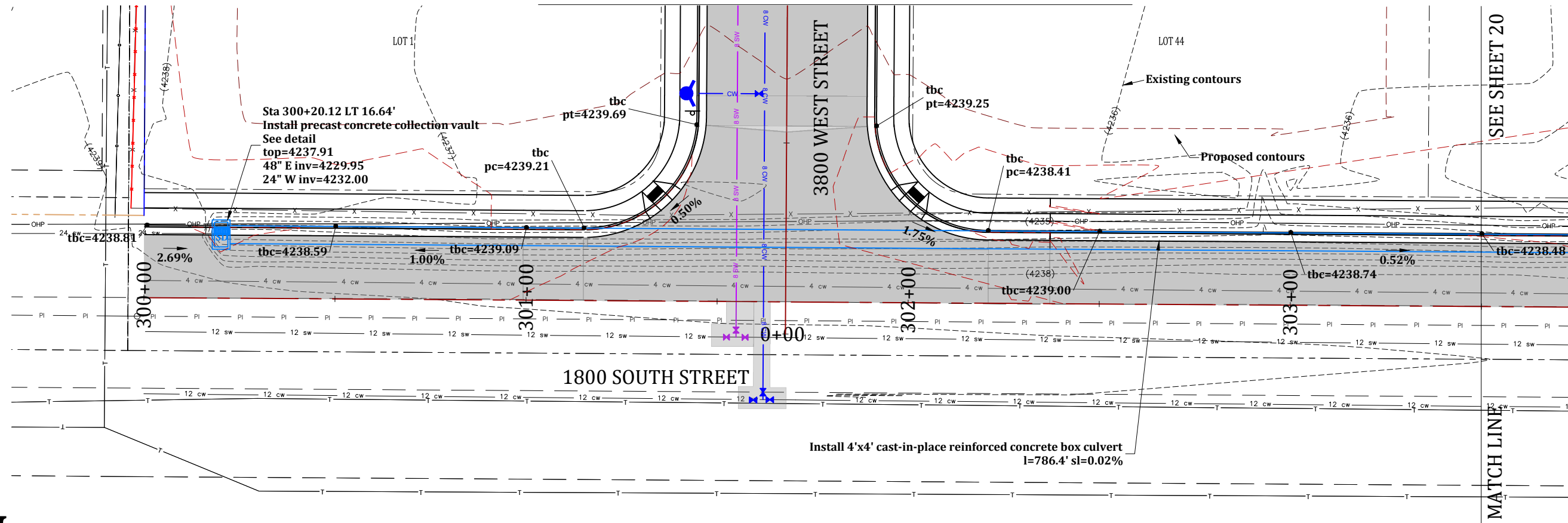
The Geotechnical Report provided by: CMT Engineering Laboratories (Project No. 10878, Dated March 7, 2018) has critical information in regards to this project and must be followed.



Project: IMPROVEMENTS STAGECOACH ESTATES WEBER COUNTY, UTAH		Prepared By: Summers Engineering Collective - Jen Summers - Summers.eng.collective@gmail.com	
Title: DETENTION POND #2 PLAN & PROFILE: STA 200+00 - 203+96		#	
Date: 22 OCTOBER 2021	Sheet 18 of 36	Date:	Revision:



SEE SHEET 10 FOR 3800 WEST STREET IMPROVEMENTS



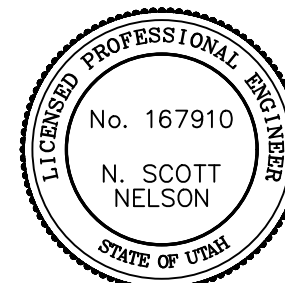
CONSTRUCTION NOTES:

- Construct 1" copper water lateral and meter box (typical).
- Install 4" pvc sanitary sewer lateral (typical) sl=2% minimum.
- Double service meter (typical). Install 1-1/2" CTS poly secondary water lateral.
- Install service meter (typical). Install 1-1/2" CTS poly secondary water lateral.
- Install 6" pvc Class 150 land drain lateral sl=0.6% minimum.
- The land drain pipe must be perforated pvc wrapped with 1" clean gravel and fabric liner on all 4 sides of gravel (includes all 6" laterals)

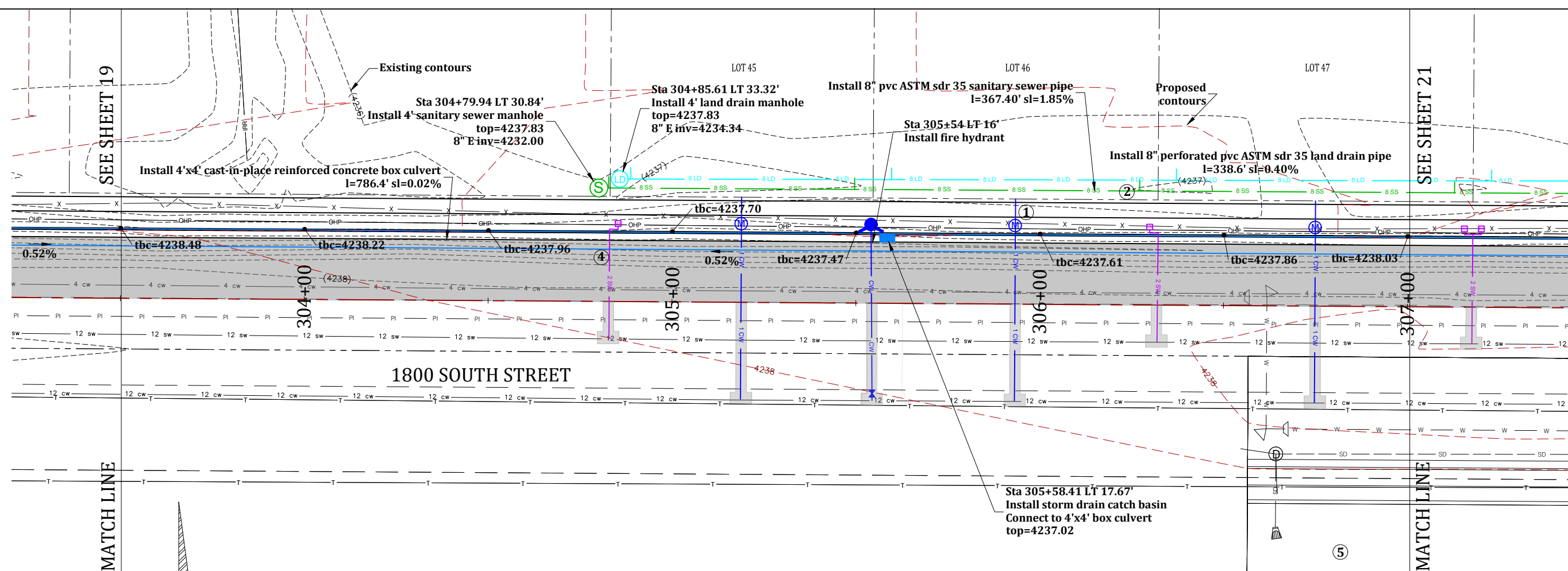
Approved for Construction  
Weber City Engineer  
Date: \_\_\_\_\_

Developer:  
Pat Burns  
Lync Construction  
801-710-2234

The Geotechnical Report provided by: CMT Engineering Laboratories (Project No. 10878, Dated March 7, 2018) has critical information in regards to this project and must be followed.

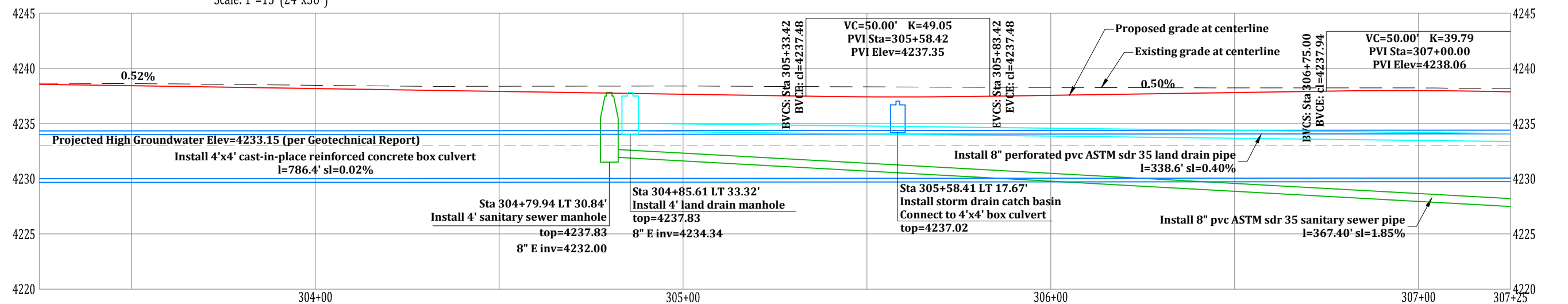
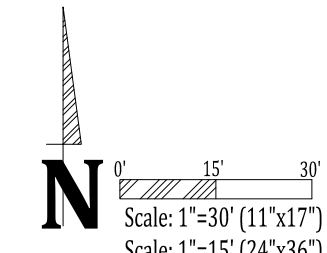


Project: IMPROVEMENTS STAGECOACH ESTATES WEBER COUNTY, UTAH		Prepared By: Summers Engineering Collective - Jen Summers - Summers.eng.collective@gmail.com	
Title: 1800 SOUTH STREET PLAN & PROFILE: STA 300+00 - 303+50		#	Date: Revision:
Date: 22 OCTOBER 2021	Sheet 19 of 36		



MATCH LINE

MATCH LINE

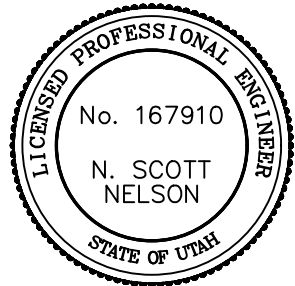


- CONSTRUCTION NOTES:**
- Construct 1" copper water lateral and meter box (typical).
  - Install 4" pvc sanitary sewer lateral (typical) sl=2% minimum.
  - Double service meter (typical). Install 1-1/2" CTS poly secondary water lateral.
  - Install service meter (typical). Install 1-1/2" CTS poly secondary water lateral.
  - Install 6" pvc Class 150 land drain lateral sl=0.6% minimum.
  - The land drain pipe must be perforated pvc wrapped with 1" clean gravel and fabric liner on all 4 sides of gravel (includes all 6" laterals)

Approved for Construction  
 Weber City Engineer  
 Date: \_\_\_\_\_

Developer:  
 Pat Burns  
 Lync Construction  
 801-710-2234

The Geotechnical Report provided by: CMT Engineering Laboratories (Project No. 10878, Dated March 7, 2018) has critical information in regards to this project and must be followed.



Project: **IMPROVEMENTS STAGECOACH ESTATES WEBER COUNTY, UTAH**

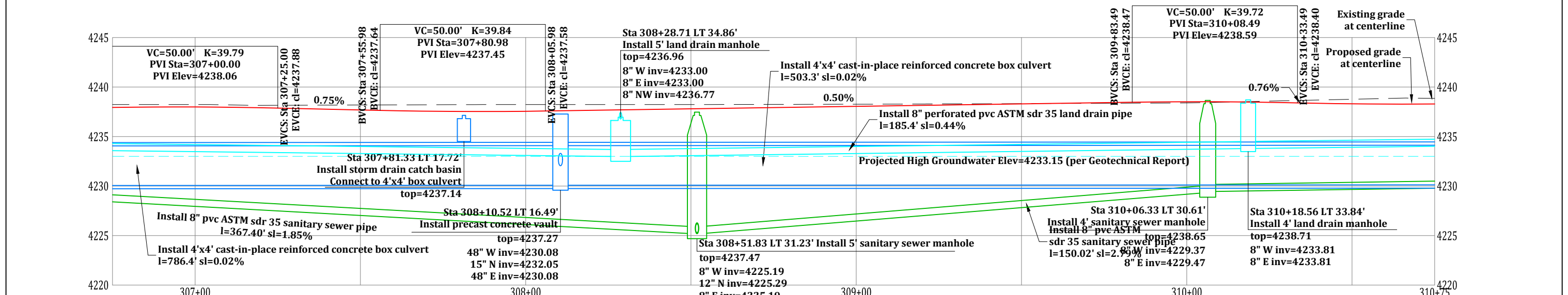
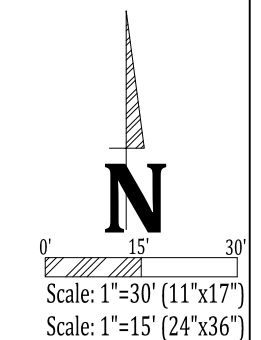
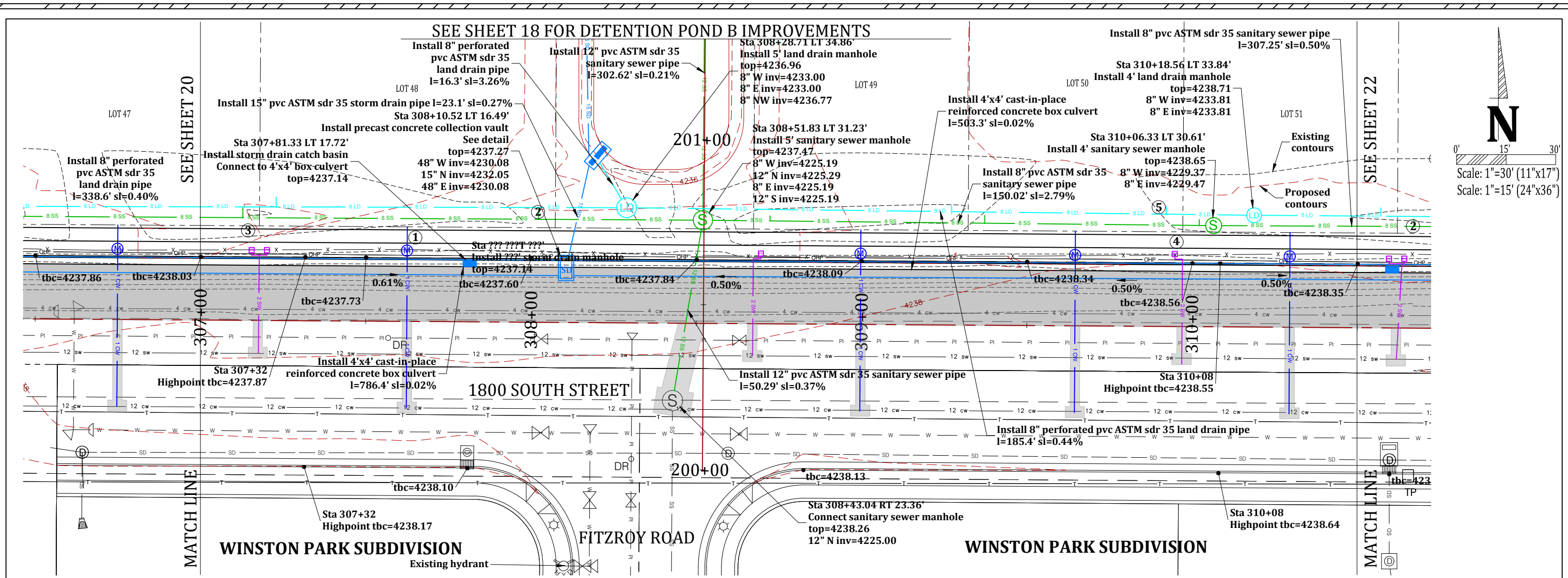
Title: **1800 SOUTH STREET PLAN & PROFILE: STA 303+50 - 307+00**

Date: 22 OCTOBER 2021

Prepared By: **Summers Engineering Collective**  
 - Jen Summers -  
 Summers.eng.collective@gmail.com

#	Date:	Revision:





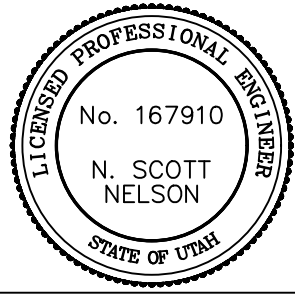
**CONSTRUCTION NOTES:**

1. Construct 1" copper water lateral and meter box (typical).
2. Install 4" pvc sanitary sewer lateral (typical) sl=2% minimum.
3. Double service meter (typical). Install 1-1/2" CTS poly secondary water lateral.
4. Install service meter (typical). Install 1-1/2" CTS poly secondary water lateral.
5. Install 6" pvc Class 150 land drain lateral sl=0.6% minimum.
6. The land drain pipe must be perforated pvc wrapped with 1" clean gravel and fabric liner on all 4 sides of gravel (includes all 6" laterals)

Approved for Construction  
Weber City Engineer  
Date: \_\_\_\_\_

Developer:  
Pat Burns  
Lync Construction  
801-710-2234

The Geotechnical Report provided by: CMT Engineering Laboratories (Project No. 10878, Dated March 7, 2018) has critical information in regards to this project and must be followed.



Project: **IMPROVEMENTS STAGECOACH ESTATES WEBER COUNTY, UTAH**

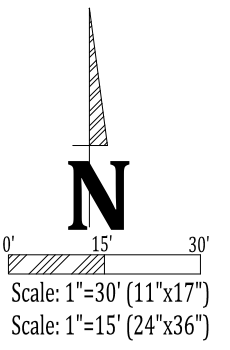
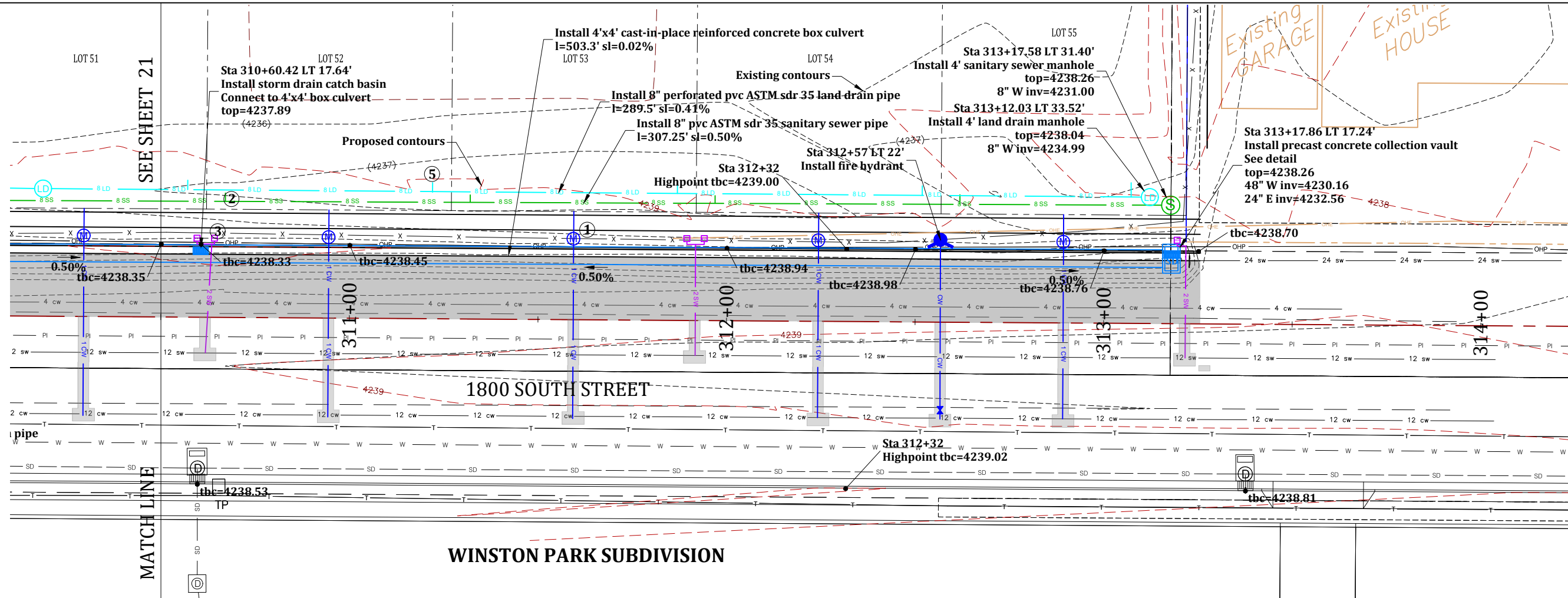
Title: **1800 SOUTH STREET PLAN & PROFILE: STA 307+00 - 310+50**

Date: 22 OCTOBER 2021

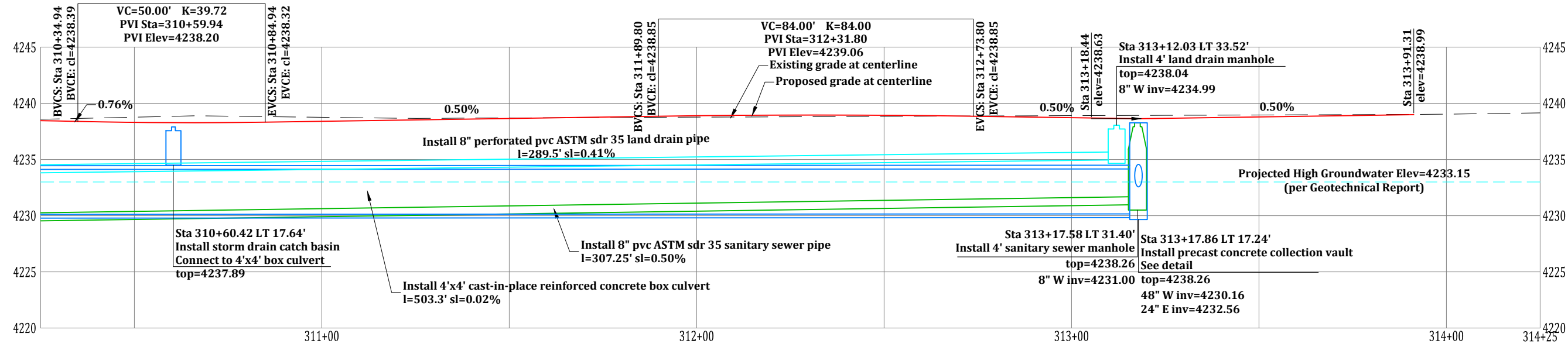
Sheet 21 of 36

Prepared By: **Summers Engineering Collective**  
- Jen Summers -  
Summers.eng.collective@gmail.com

#	Date	Revision



**WINSTON PARK SUBDIVISION**



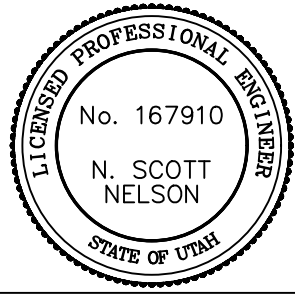
**CONSTRUCTION NOTES:**

- Construct 1" copper water lateral and meter box (typical).
- Install 4" pvc sanitary sewer lateral (typical) sl=2% minimum.
- Double service meter (typical). Install 1-1/2" CTS poly secondary water lateral.
- Install service meter (typical). Install 1-1/2" CTS poly secondary water lateral.
- Install 6" pvc Class 150 land drain lateral sl=0.6% minimum.
- The land drain pipe must be perforated pvc wrapped with 1" clean gravel and fabric liner on all 4 sides of gravel (includes all 6" laterals)

Approved for Construction  
 Weber City Engineer  
 Date: \_\_\_\_\_

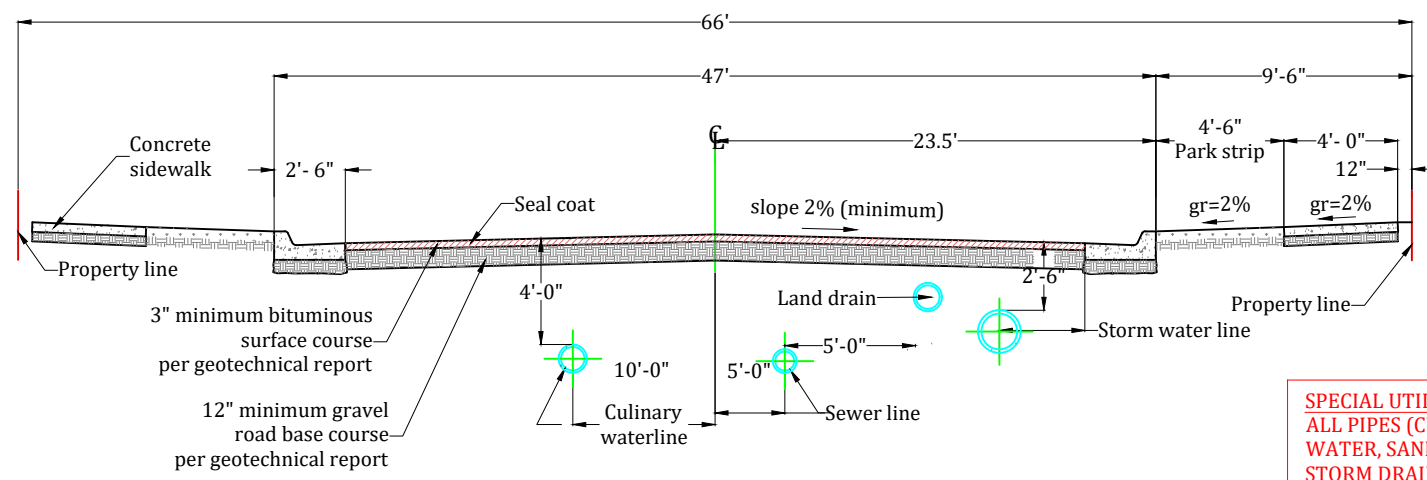
Developer:  
 Pat Burns  
 Lync Construction  
 801-710-2234

The Geotechnical Report provided by: CMT Engineering Laboratories (Project No. 10878, Dated March 7, 2018) has critical information in regards to this project and must be followed.



Project: <b>IMPROVEMENTS STAGECOACH ESTATES WEBER COUNTY, UTAH</b>		Prepared By: <b>Summers Engineering Collective</b> - Jen Summers - Summers.eng.collective@gmail.com	
Title: <b>1800 SOUTH STREET PLAN &amp; PROFILE: STA 310+50 - 314+00</b>		#	Date:
Date: <b>22 OCTOBER 2021</b>	Sheet <b>22 of 36</b>	Revision:	



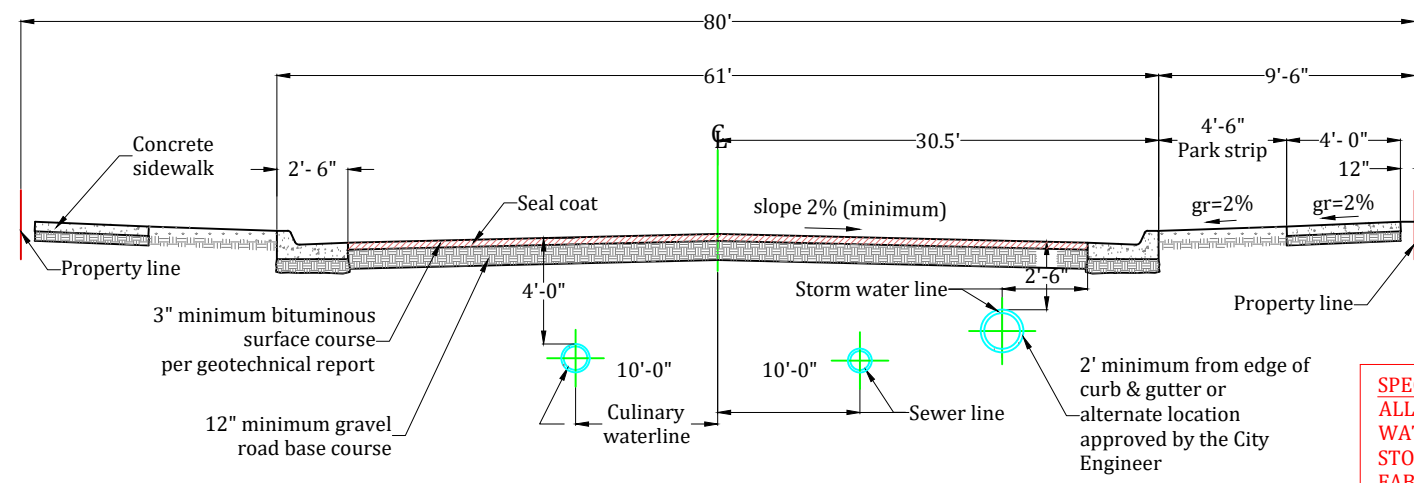


**3800 WEST STREET  
ROADWAY SECTION**  
SCALE: NONE

**SPECIAL UTILITY NOTE:**  
ALL PIPES (CULINARY WATER, SECONDARY WATER, SANITARY SEWER, LAND DRAIN AND STORM DRAIN) MUST BE WRAPPED IN MIRAFI FABRIC AND MUST HAVE ALL SIDES 6" THICK OF 1" WASHED GRAVEL

The Geotechnical Report provided by: CMT Engineering Laboratories (Project No. 10878, Dated March 7, 2018) has critical information in regards to this project and must be followed.

- NOTES:**
1. Maximum difference in elevation between curb on opposite side of street shall not exceed 1'-0".
  2. Pavement thickness shall be considered as minimum and may be increased by the Engineer or the geotechnical report when the subgrade c.b.r. is less than 10 or when a greater depth is necessary to provide sufficient stability.
  3. Minor and major arterial streets shall be constructed with a 12" untreated base course and 3" bituminous surface course as required per geotechnical report.
  4. Minimum storm drain line size is 15" diameter.
  5. Minimum water line size is 8" diameter.
  6. Minimum sanitary sewer line size is 8" diameter.
  7. Contractor shall not install contaminated /recycled roadbase.



**1800 SOUTH STREET  
ROADWAY SECTION**  
SCALE: NONE

**SPECIAL UTILITY NOTE:**  
ALL PIPES (CULINARY WATER, SECONDARY WATER, SANITARY SEWER, LAND DRAIN AND STORM DRAIN) MUST BE WRAPPED IN MIRAFI FABRIC AND MUST HAVE ALL SIDES 6" THICK OF 1" WASHED GRAVEL

The Geotechnical Report provided by: CMT Engineering Laboratories (Project No. 10878, Dated March 7, 2018) has critical information in regards to this project and must be followed.

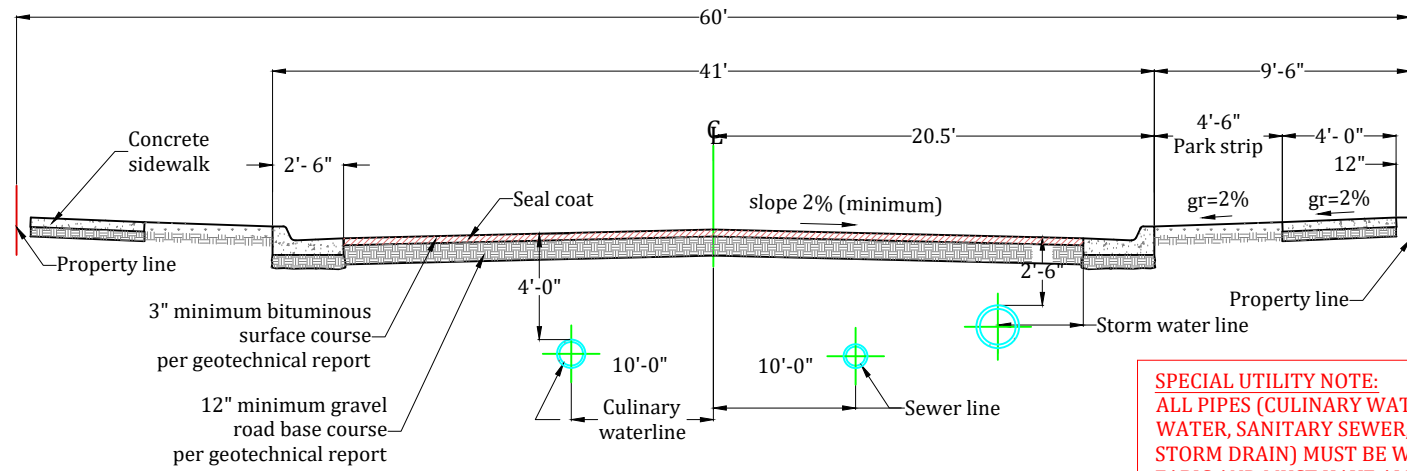
- NOTES:**
1. Maximum difference in elevation between curb on opposite side of street shall not exceed 1'-0".
  2. Pavement thickness shall be considered as minimum and may be increased by the Engineer or the geotechnical report when the subgrade c.b.r. is less than 10 or when a greater depth is necessary to provide sufficient stability.
  3. Minor and major arterial streets shall be constructed with a 12" untreated base course and 3" bituminous surface course as required per geotechnical report.
  4. Minimum storm drain line size is 15" diameter.
  5. Minimum water line size is 8" diameter.
  6. Minimum sanitary sewer line size is 8" diameter.
  7. Contractor shall not install contaminated /recycled roadbase.

Developer:  
Pat Burns  
Lync Construction  
801-710-2234

Approved for Construction  
Weber City Engineer  
Date: \_\_\_\_\_



Project: <b>IMPROVEMENTS STAGECOACH ESTATES WEBER COUNTY, UTAH</b>		Prepared By: <b>Summers Engineering Collective</b> - Jen Summers - Summers.eng.collective@gmail.com	
Title: <b>DETAILS: ROADS</b>		#	Date: Revision:
Date: 22 OCTOBER 2021	Sheet 23 of 36		



**1750 SOUTH STREET  
(STA 100+00 - 102+14)  
ROADWAY SECTION**

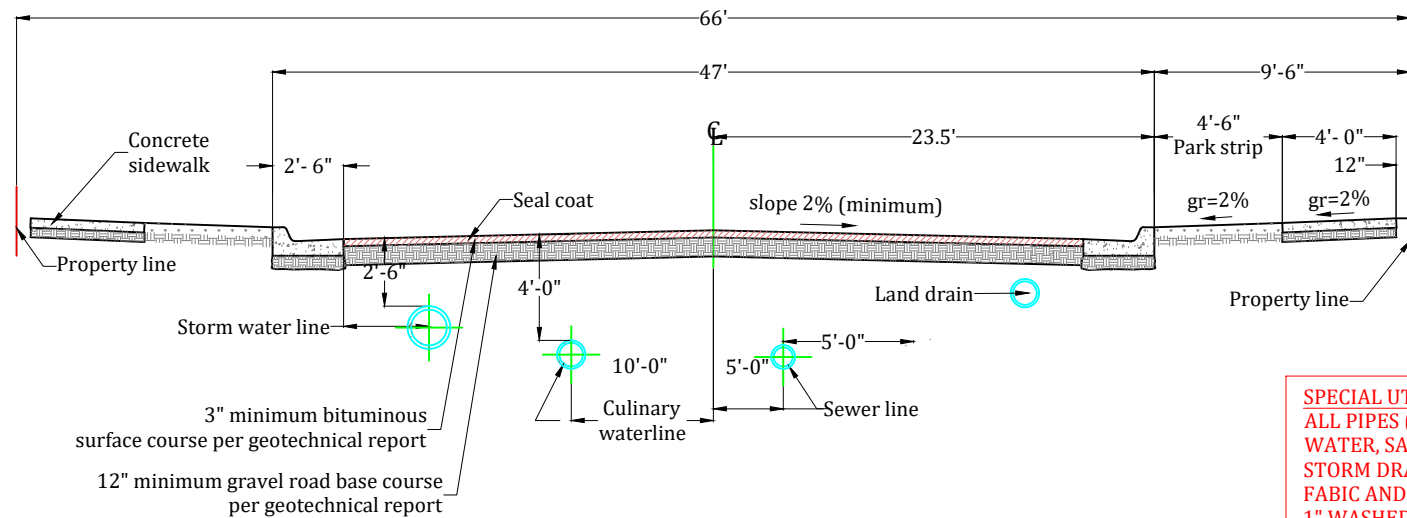
SCALE: NONE



**NOTES:**

1. Maximum difference in elevation between curb on opposite side of street shall not exceed 1'-0".
2. Pavement thickness shall be considered as minimum and may be increased by the Engineer or the geotechnical report when the subgrade c.b.r. is less than 10 or when a greater depth is necessary to provide sufficient stability.
3. Minor and major arterial streets shall be constructed with a 12" untreated base course and 3" bituminous surface course as required per geotechnical report.
4. Minimum storm drain line size is 15" diameter.
5. Minimum water line size is 8" diameter.
6. Minimum sanitary sewer line size is 8" diameter.
7. Contractor shall not install contaminated /recycled roadbase.

**SPECIAL UTILITY NOTE:**  
ALL PIPES (CULINARY WATER, SECONDARY WATER, SANITARY SEWER, LAND DRAIN AND STORM DRAIN) MUST BE WRAPPED IN MIRAFI FABRIC AND MUST HAVE ALL SIDES 6" THICK OF 1" WASHED GRAVEL  
The Geotechnical Report provided by: CMT Engineering Laboratories (Project No. 10878, Dated March 7, 2018) has critical information in regards to this project and must be followed.



**1700 & 1750 SOUTH STREET  
(STA 102+14 - 114+23)  
ROADWAY SECTION**

SCALE: NONE



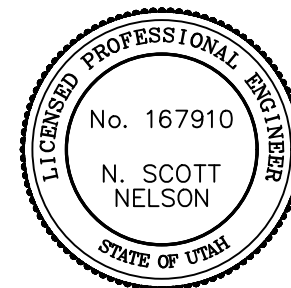
**NOTES:**

1. Maximum difference in elevation between curb on opposite side of street shall not exceed 1'-0".
2. Pavement thickness shall be considered as minimum and may be increased by the Engineer or the geotechnical report when the subgrade c.b.r. is less than 10 or when a greater depth is necessary to provide sufficient stability.
3. Minor and major arterial streets shall be constructed with a 12" untreated base course and 3" bituminous surface course as required per geotechnical report.
4. Minimum storm drain line size is 15" diameter.
5. Minimum water line size is 8" diameter.
6. Minimum sanitary sewer line size is 8" diameter.
7. Contractor shall not install contaminated /recycled roadbase.

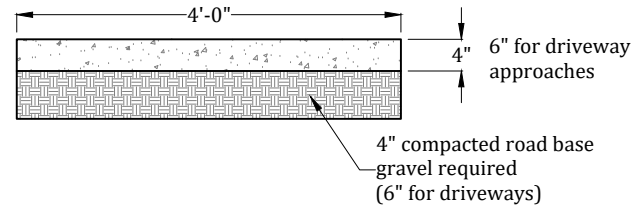
**SPECIAL UTILITY NOTE:**  
ALL PIPES (CULINARY WATER, SECONDARY WATER, SANITARY SEWER, LAND DRAIN AND STORM DRAIN) MUST BE WRAPPED IN MIRAFI FABRIC AND MUST HAVE ALL SIDES 6" THICK OF 1" WASHED GRAVEL  
The Geotechnical Report provided by: CMT Engineering Laboratories (Project No. 10878, Dated March 7, 2018) has critical information in regards to this project and must be followed.

Developer:  
Pat Burns  
Lync Construction  
801-710-2234

Approved for Construction  
Weber City Engineer  
Date: \_\_\_\_\_



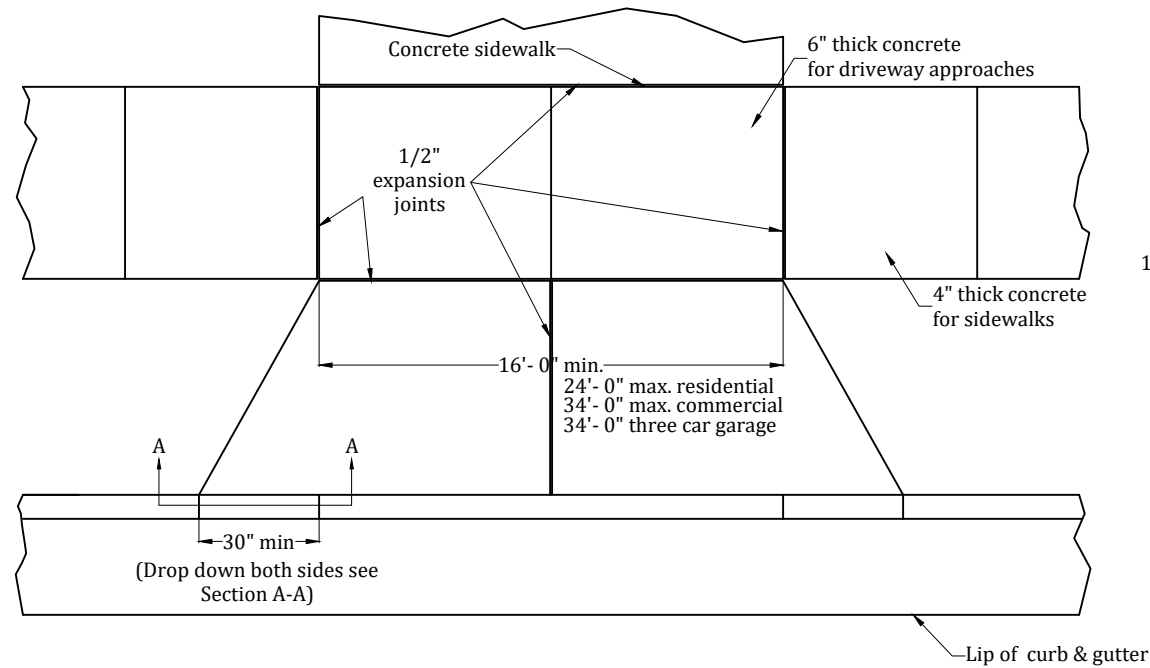
Project: <b>IMPROVEMENTS STAGECOACH ESTATES WEBER COUNTY, UTAH</b>		Prepared By: <b>Summers Engineering Collective</b> - Jen Summers - Summers.eng.collective@gmail.com	
Title: <b>DETAILS: ROADS</b>		#	Date: _____
Date: 22 OCTOBER 2021		Revision:	_____
Sheet 24 of 36			



**SIDEWALK SECTION**

SCALE: NONE

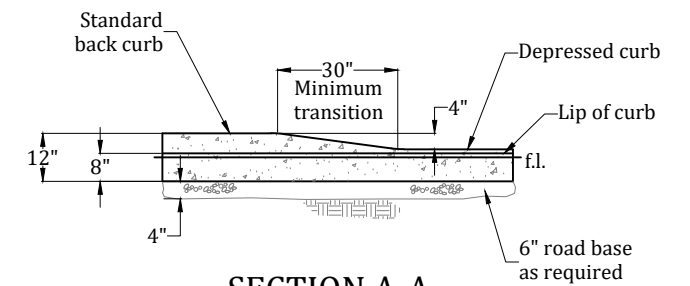
1  
-



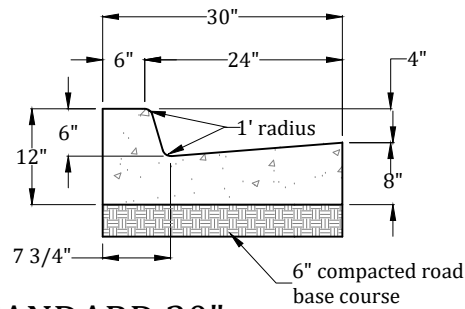
**DRIVEWAY APPROACH**

SCALE: NONE

3  
-



**SECTION A-A**



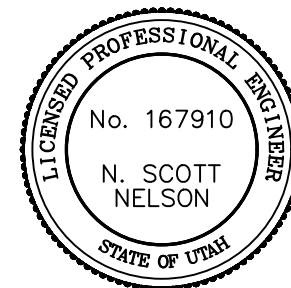
**STANDARD 30" CURB & GUTTER**

SCALE: NONE

2  
-

Developer:  
Pat Burns  
Lync Construction  
801-710-2234

Approved for Construction  
\_\_\_\_\_  
Weber City Engineer  
Date: \_\_\_\_\_



Project: **IMPROVEMENTS  
STAGECOACH ESTATES  
WEBER COUNTY, UTAH**

Title: **DETAILS: ROADS**

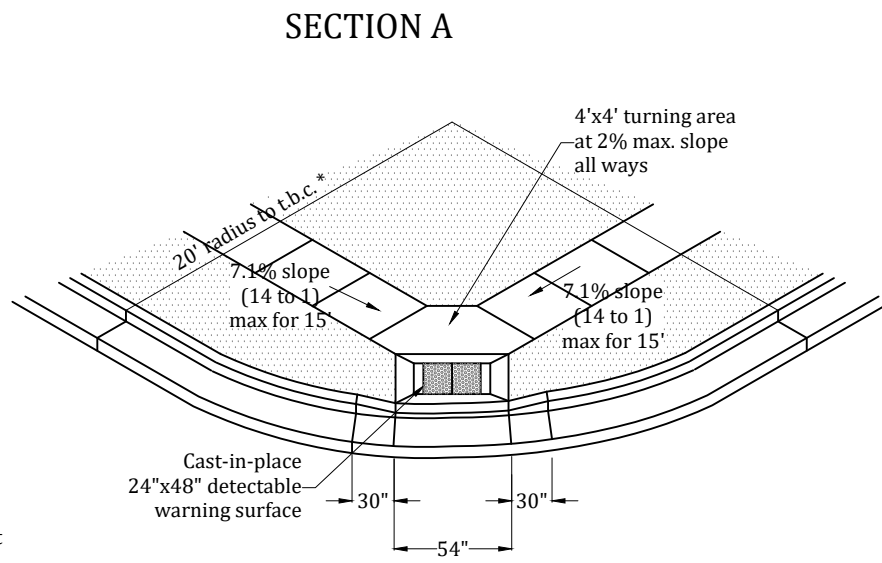
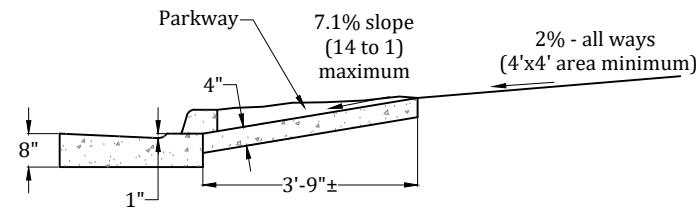
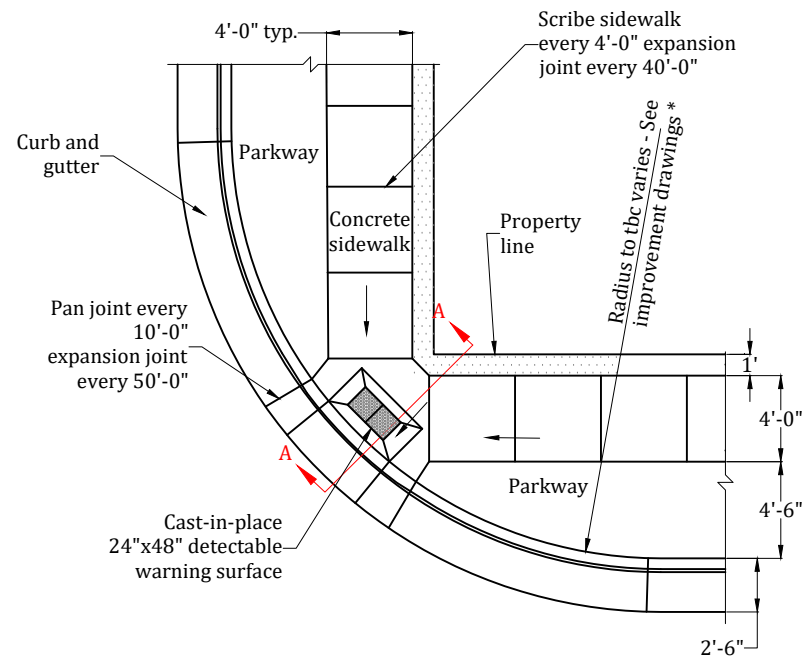
Date:  
22 OCTOBER 2021

Sheet 25 of 36

Prepared By:  
**Summers Engineering Collective**  
- Jen Summers -  
Summers.eng.collective@gmail.com

#	Date	Revision



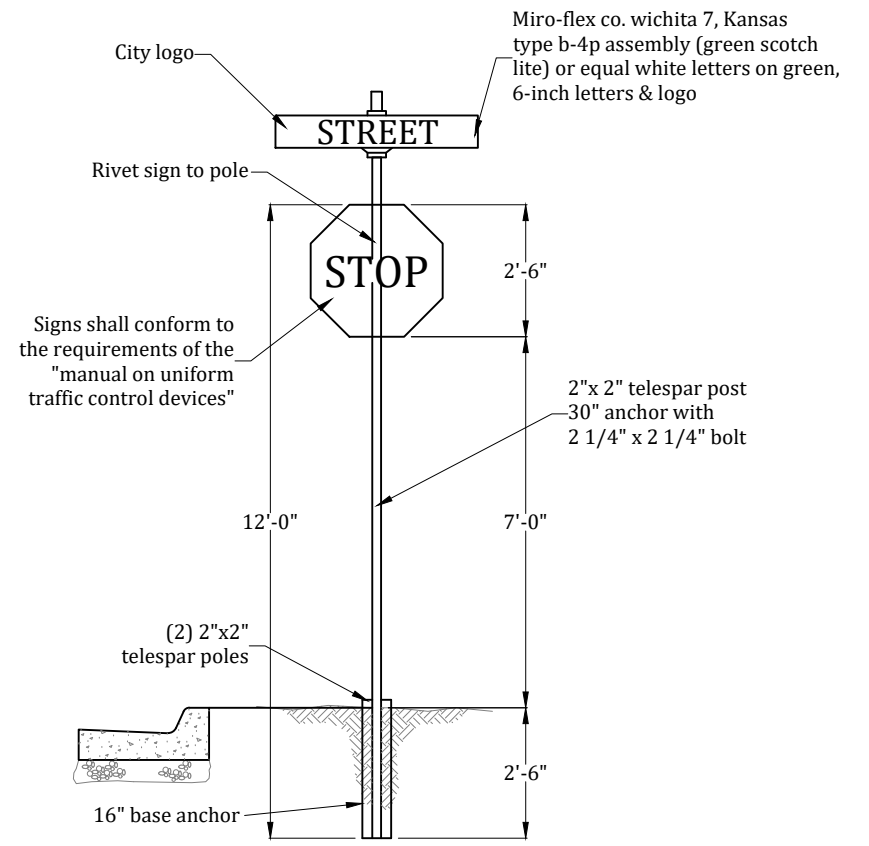
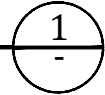


**NOTES:**

1. A minimum 6" depth of roadbase material or crushed gravel shall be placed to grade and compacted under handicap ramps to 95% of maximum dry density prior to placement of concrete.
2. Locate all inlet grates 2' minimum away from the pedestrian crosswalk, with all drainage intercepted before storm water crosses the crosswalk area.
3. Slopes shown are maximum slopes.
4. Expansion joints shall be constructed by placing an approved material, (typically bituminous impregnated fiberboard), the full depth of the concrete. expansion material shall be set 1/4" below the finish level of sidewalk ramp.
5. Materials, construction, and workmanship shall be in accordance with Weber County standards and specifications.
6. When a city roadway intersects with a UDOT road, a 35' minimum radius (or other) will be required as per UDOT requirement.
7. Detectable warning surface materials & installation must conform to "ADA cast-in-place tactile warning panels" requirements & specifications.
8. Detectable warning panels by "ADA Solutions, Inc.", color to be specified by Weber County. (other products to be approved by Weber County prior to installation).

**WHEELCHAIR RAMP - PEDESTRIAN ACCESS**

SCALE: NONE



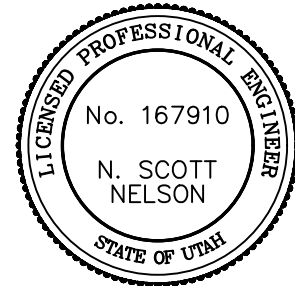
**TYPICAL REGULATORY SIGN W/ STREET NUMBER SIGN**

SCALE: NONE



Developer:  
Pat Burns  
Lync Construction  
801-710-2234

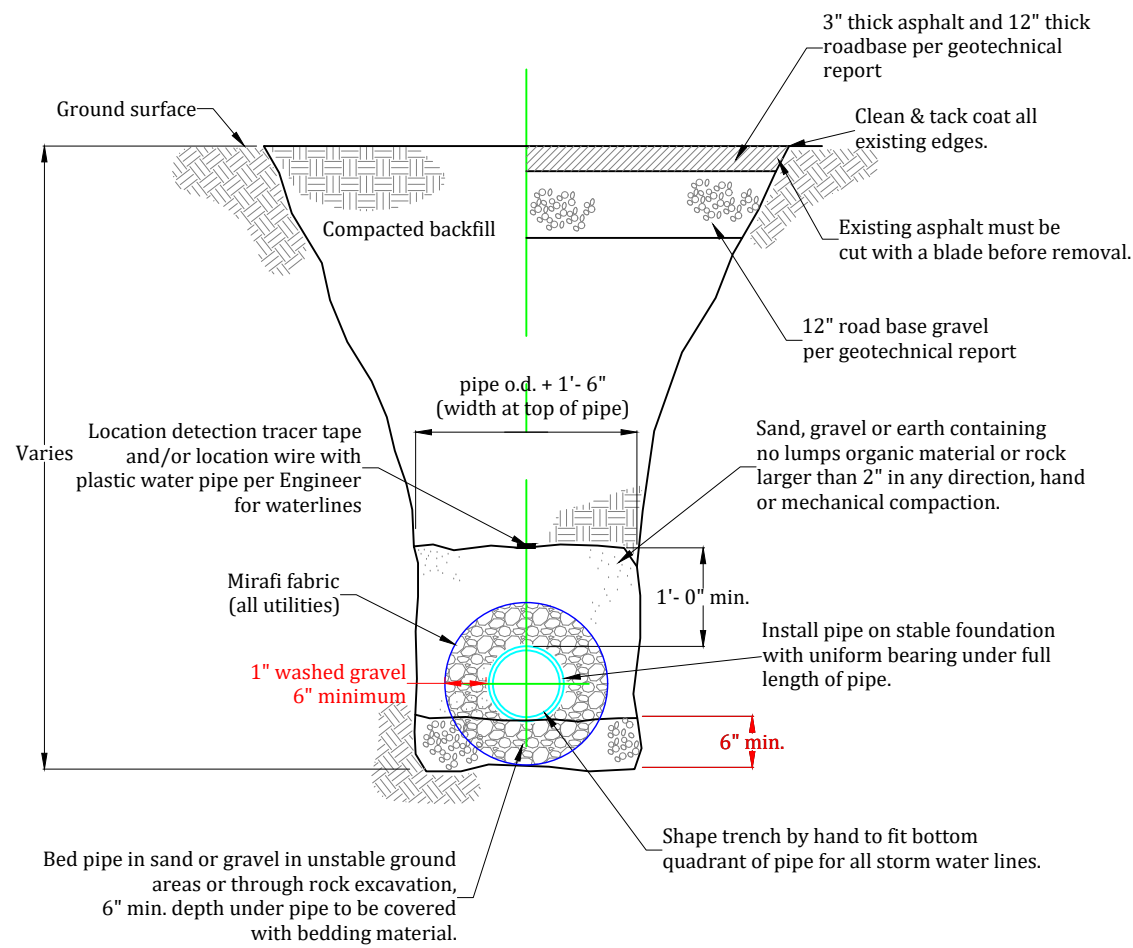
Approved for Construction  
Weber City Engineer  
Date: \_\_\_\_\_



Project: **IMPROVEMENTS STAGECOACH ESTATES WEBER COUNTY, UTAH**  
Title: **DETAILS: ROADS**  
Date: **22 OCTOBER 2021** | **Sheet 26 of 36**

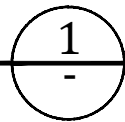
Prepared By: **Summers Engineering Collective**  
- Jen Summers -  
Summers.eng.collective@gmail.com

#	Date:	Revision:



## STANDARD TRENCH CROSS-SECTION

SCALE: NONE



All utility trenching within road right-of-ways which are 66' wide or wider shall have backfill material per geotechnical report.

Safe bearing loads	
Soil type	Safe bearing load (lb/ft <sup>2</sup> )
Sand	1000
Sand & gravel	1500
Sand & gravel cemented with clay	2000
Shale	5000

Thrust block area against trench wall (square feet) = Thrust on / fitting / Safe bearing load of soil

**SPECIAL UTILITY NOTE:**  
**ALL PIPES (CULINARY WATER, SECONDARY WATER, SANITARY SEWER, LAND DRAIN AND STORM DRAIN) MUST BE WRAPPED IN MIRAFI FABRIC AND MUST HAVE ALL SIDES 6" THICK OF 1" WASHED GRAVEL**  
 The Geotechnical Report provided by: CMT Engineering Laboratories (Project No. 10878, Dated March 7, 2018) has critical information in regards to this project and must be followed.

### SANITARY SEWER TRENCH NOTES:

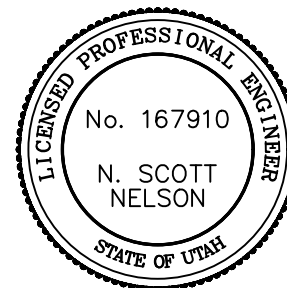
- The Contractor shall be responsible for meeting all current OSHA and UOSH requirements for trench safety.
- Contractor shall locate all underground utilities before laying pipe within 200' of said utilities which may be exposed, damaged or crossed as shown on the drawings or as "blue staked" the Contractor will make arrangements with the utility company to move the utility if necessary or obtain permission from the project engineer to modify grade of pipeline in order to go around utilities.
- The Contractor shall determine the actual location of existing service connections and utilities and take the necessary steps to avoid them. The Contractor is responsible for any damage occurring during construction.
- Testing: All new sanitary sewers to be cleaned, "videotaped", and necessary repairs made before acceptance. All lines shall be pressure tested to 3.5 psi min. for 5 minutes. A mandrel or ball can be used to verify deformation of a pipe as determined from the videotape unless specified otherwise.
- All measurements are in English units.
- All sewer lines to be installed in roadway.
- All sewer lines to be installed at a minimum 10' distance from any water lines.
- All sewer lines to be installed with a minimum of 4' cover to the top of the pipe.

### STORM DRAIN TRENCH NOTES:

- The Contractor shall be responsible for meeting all current OSHA and UOSH requirements for trench safety.
- Contractor shall locate all underground utilities before laying pipe within 50' of said utilities which may be exposed, damaged or crossed as shown on the drawings or as "blue staked" the contractor will make arrangements with the utility company to move the utility if necessary or obtain permission from the Project Engineer to modify grade of pipeline in order to go around utilities.
- Testing: All new storm drain systems to be cleaned, "videotaped", and necessary repairs made before acceptance. All lines shall be pressure tested to 3.5 psi (min.) for 5 minutes. A mandrel or ball can be used to verify deformation of a pipe as determined from the videotape.
- All storm drain lines to be installed in roadway or under curb and gutter with approval by Weber County engineer.
- Minimum pipe size for storm drain pipe is 15" diameter and must be concrete.

### CULINARY WATER TRENCH NOTES:

- Waterlines 12 inches and larger shall be ductile iron Class-51. Waterlines 10-inches and smaller shall be PVC C-900 DR-18 or ductile iron Class-51.
- All waterlines shall be 8" minimum.
- Valves larger than 12 inches shall be butterfly valves with boxes.
- Ductile iron pipe and fittings shall be wrapped with polyethylene and have cathodic protection where required.
- Whenever possible "hot tap" connections required. Hot tap valve to be supported during connection. Contractor to notify City 24 hours in advance of making connection.
- Contractor shall contact property owners 24 hours in advance with written notice for shutting off water.
- Pipe zone shall be backfilled with sand or material as approved by Weber County Engineer.
- Concrete collars shall be placed around all valves.
- The following tests must be passed before the waterline is connected for service:
  - Pressure Test - Must keep a minimum of 200 PSI for 2 hours
  - Chlorination Test - Must keep a minimum of 30 PPM for 24 hours
  - Clear Water Test
  - Bacteria Test - A minimum of 2 tests are required.
- All mechanical joint restraint (e.g. megalug) connections, flange fittings and all other fittings using connection bolts must be furnished and installed with bluebolts.
- All sewer lines to be installed with a minimum of 4' cover to the top of the pipe.

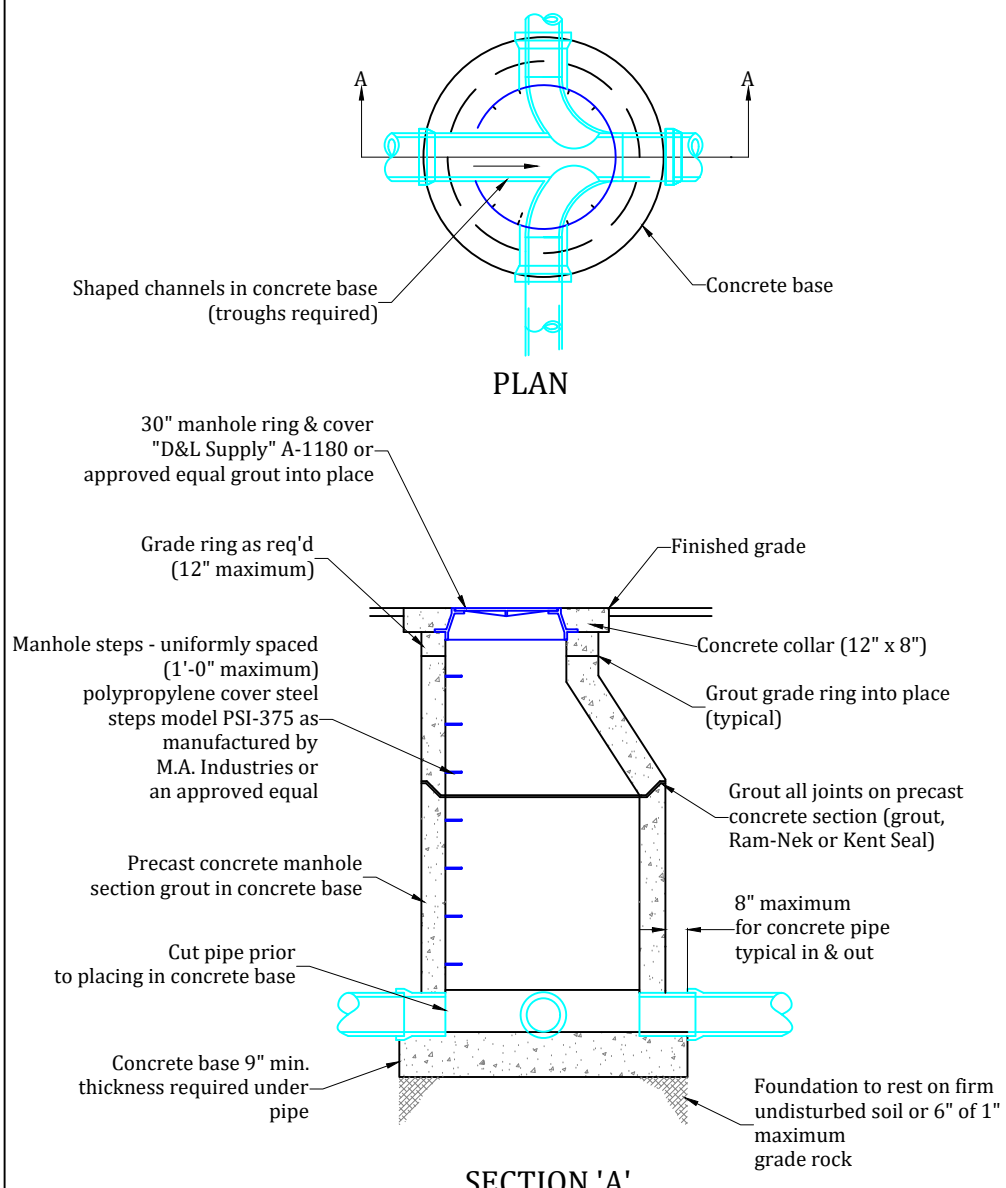


Project:	IMPROVEMENTS STAGECOACH ESTATES WEBER COUNTY, UTAH	Prepared By:	Summers Engineering Collective - Jen Summers - Summers.eng.collective@gmail.com
Title:	DETAILS: TRENCHING	#	Date: Revision:
Date:	22 OCTOBER 2021		
	Sheet 27 of 36		

Developer:  
 Pat Burns  
 Lync Construction  
 801-710-2234

Approved for Construction  
 \_\_\_\_\_  
 Weber City Engineer  
 Date: \_\_\_\_\_





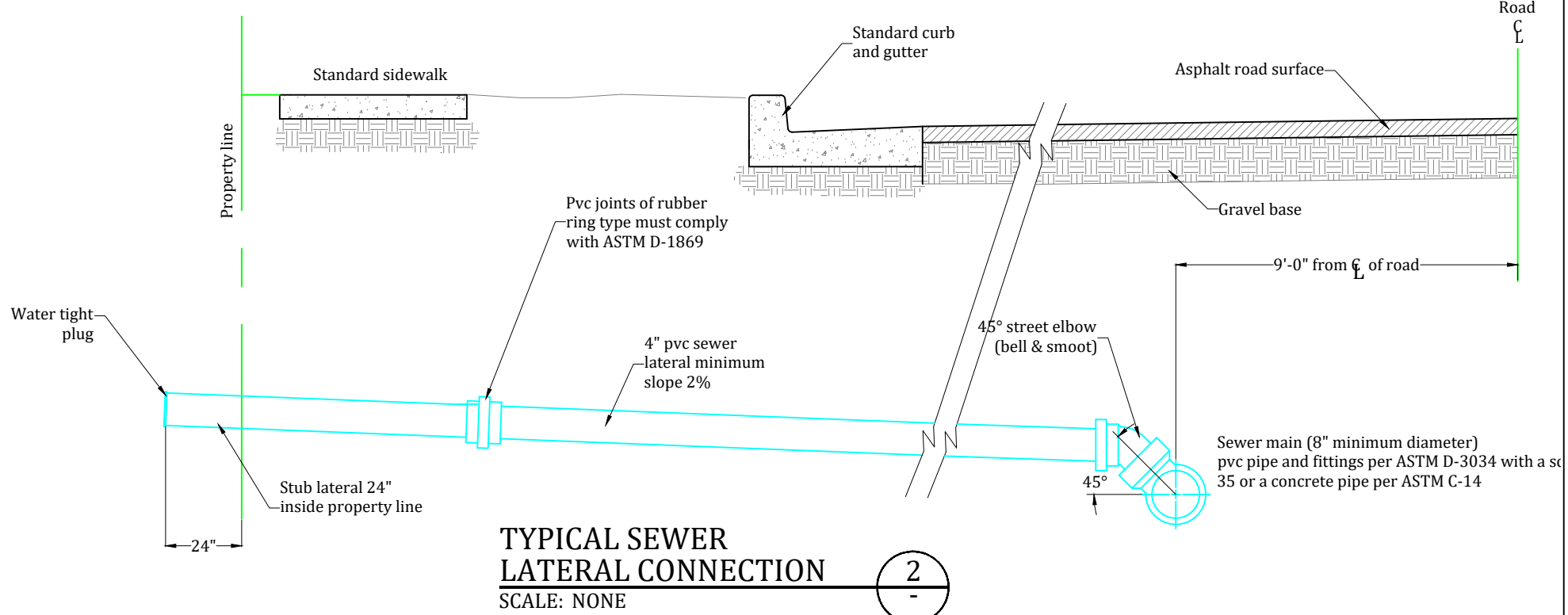
**NOTES:**

1. Cast in place manhole shown. A precast reinforced manhole is acceptable.
2. Expansion water tight boot to be installed for pipe connections with all precast reinforced manholes.

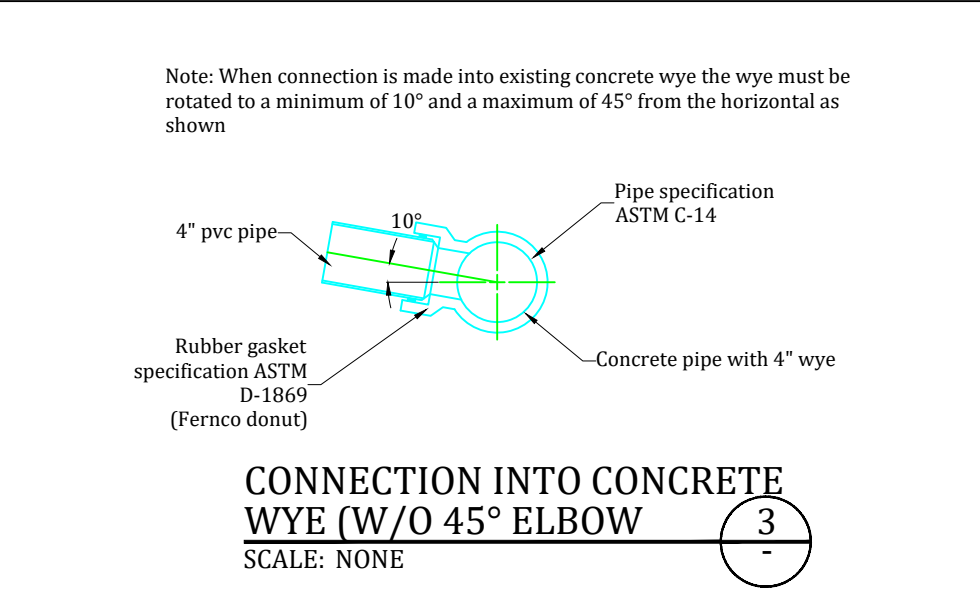
**STANDARD SANITARY SEWER MANHOLE**  
SCALE: NONE 1

Developer:  
Pat Burns  
Lync Construction  
801-710-2234

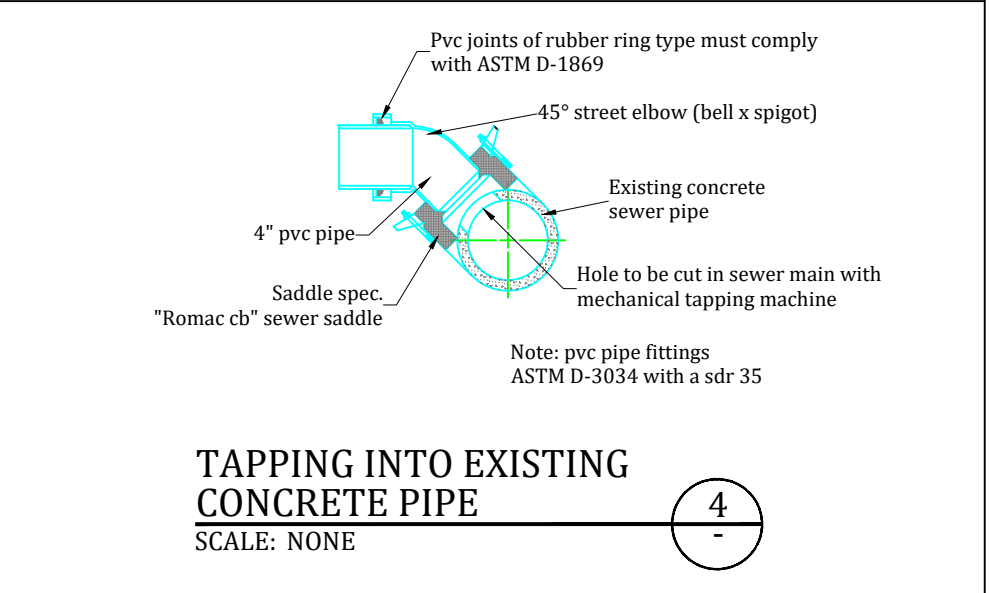
Approved for Construction  
Weber City Engineer  
Date: \_\_\_\_\_



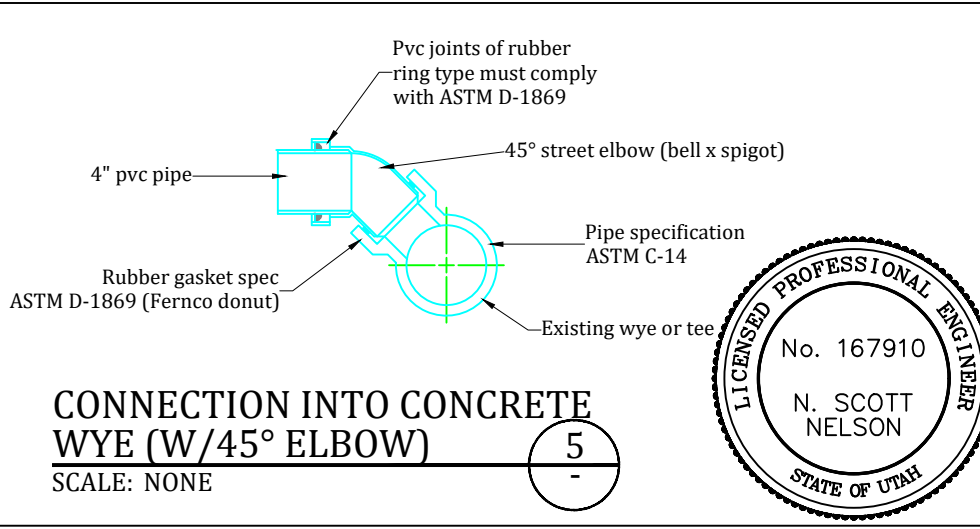
**TYPICAL SEWER LATERAL CONNECTION**  
SCALE: NONE 2



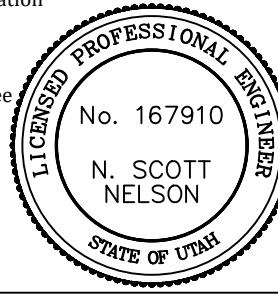
**CONNECTION INTO CONCRETE WYE (W/O 45° ELBOW)**  
SCALE: NONE 3



**TAPPING INTO EXISTING CONCRETE PIPE**  
SCALE: NONE 4



**CONNECTION INTO CONCRETE WYE (W/45° ELBOW)**  
SCALE: NONE 5



Project: **IMPROVEMENTS STAGECOACH ESTATES WEBER COUNTY, UTAH**

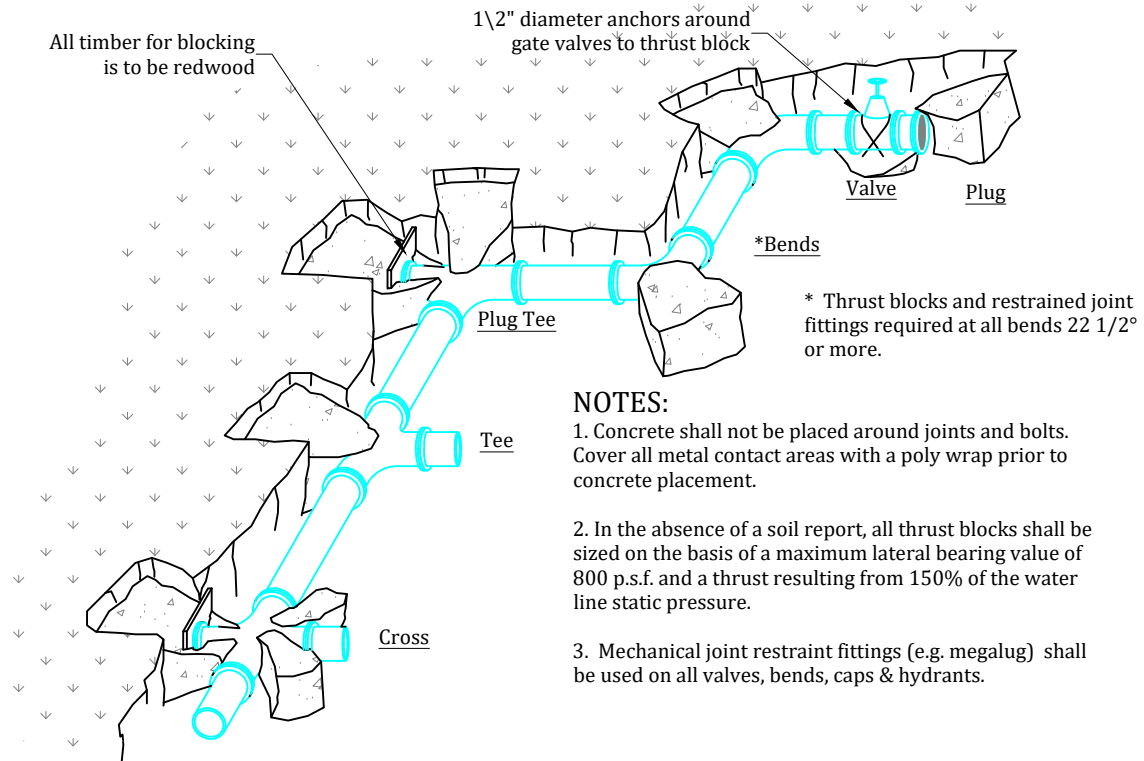
Title: **DETAILS: CULINARY WATER**

Date: 22 OCTOBER 2021

Prepared By: **Summers Engineering Collective**  
- Jen Summers -  
Summers.eng.collective@gmail.com

#	Date:	Revision:

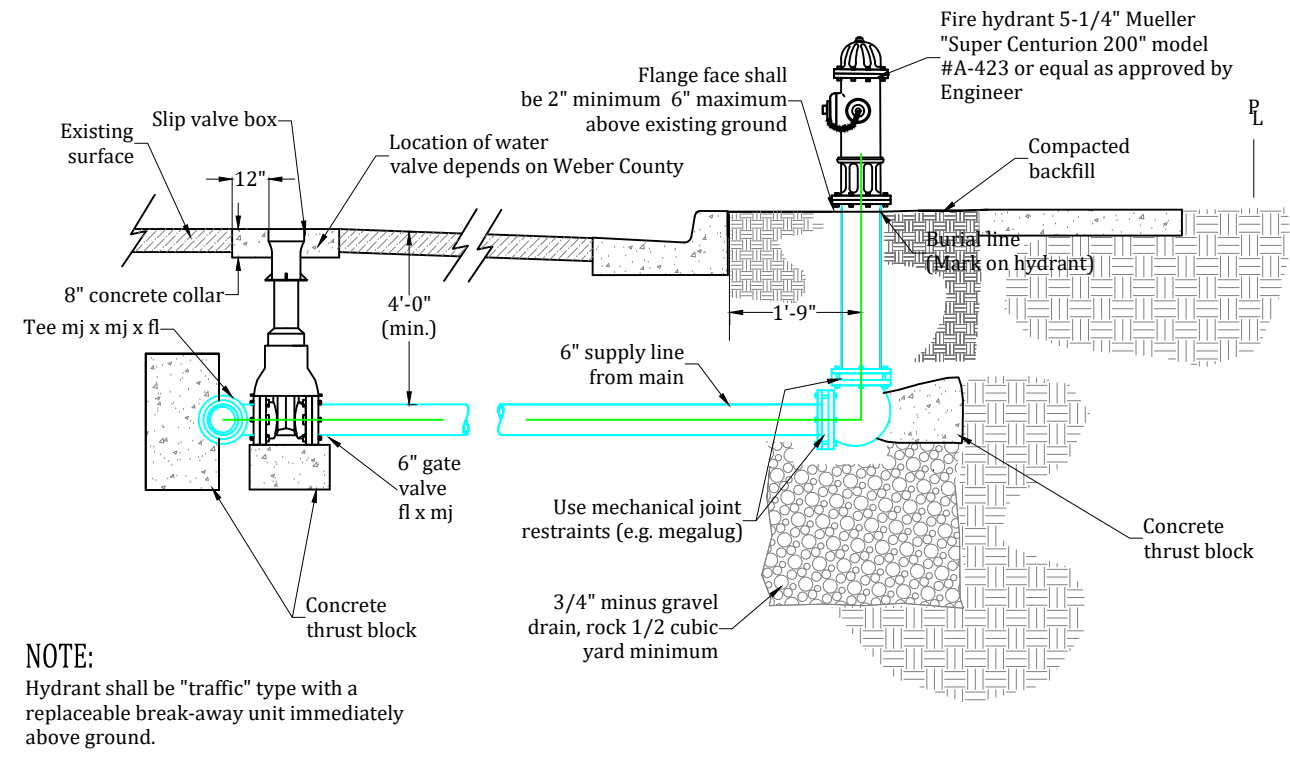
Sheet 28 of 36



**NOTES:**

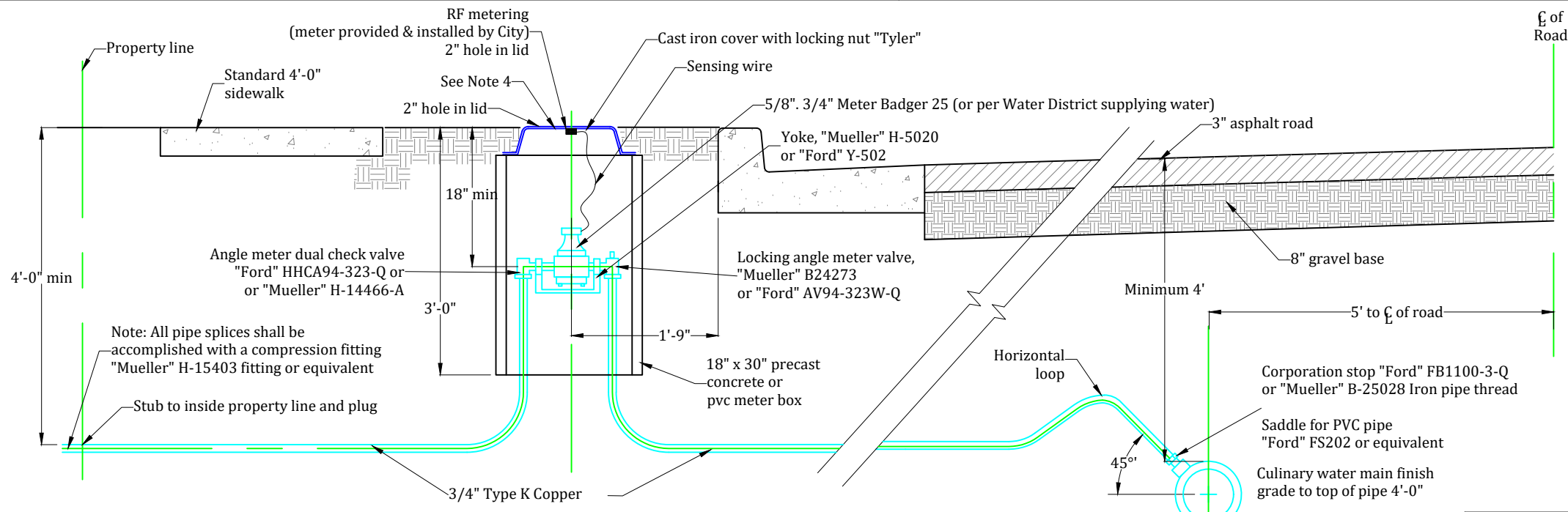
1. Concrete shall not be placed around joints and bolts. Cover all metal contact areas with a poly wrap prior to concrete placement.
2. In the absence of a soil report, all thrust blocks shall be sized on the basis of a maximum lateral bearing value of 800 p.s.f. and a thrust resulting from 150% of the water line static pressure.
3. Mechanical joint restraint fittings (e.g. megalug) shall be used on all valves, bends, caps & hydrants.

**CONCRETE THRUST BLOCK DETAILS**  
SCALE: NONE



**NOTE:**  
Hydrant shall be "traffic" type with a replaceable break-away unit immediately above ground.

**TYPICAL FIRE HYDRANT CONNECTION**  
SCALE: NONE



**NOTES:**

1. ALL MATERIALS SHALL CONFORM TO WATER DISTRICT SUPPLYING CULINARY WATER.
2. Water service pipes to be compacted per compaction trenches standards.
3. All expansion connections to be "Mueller" H-14234 or "Ford" EC-23.
4. This detail shows a typical water connection for a 3/4" meter.
5. Lid to match grade and slope of park strip where possible. If park strip has varying contours, match existing ground from sidewalk to curb & gutter as directed by the County Engineer.

**TYPICAL WATER CONNECTION**  
SCALE: NONE



Developer:  
Pat Burns  
Lync Construction  
801-710-2234

Approved for Construction  
Weber City Engineer  
Date: \_\_\_\_\_



Project: **IMPROVEMENTS STAGECOACH ESTATES WEBER COUNTY, UTAH**

Title: **DETAILS: CULINARY WATER**

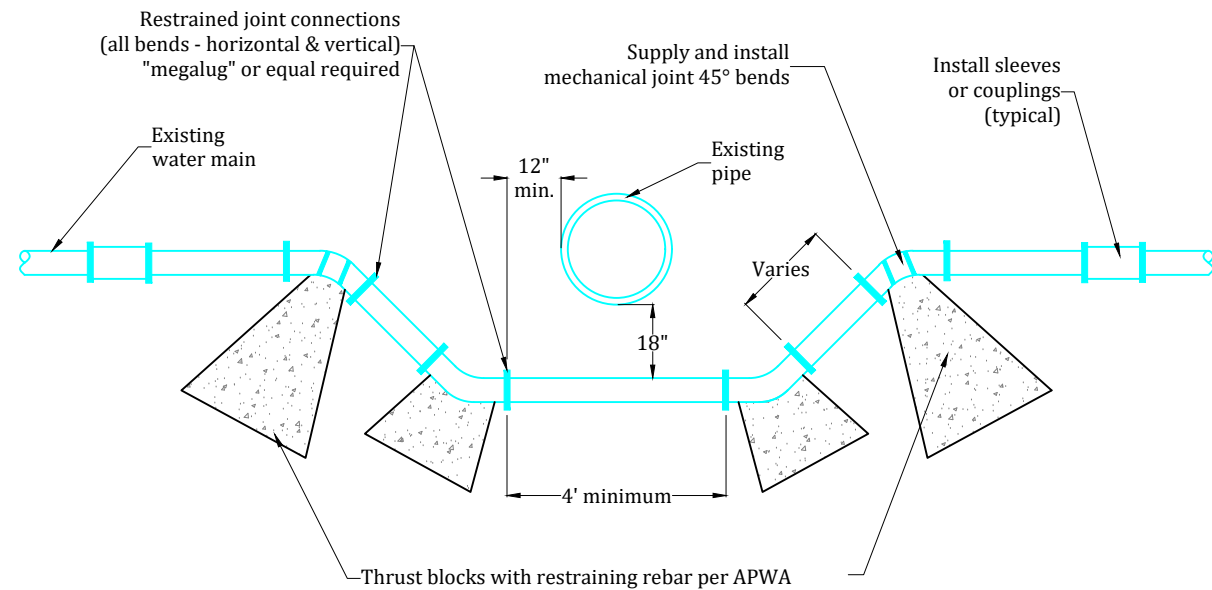
Date: 22 OCTOBER 2021

Prepared By: **Summers Engineering Collective**  
- Jen Summers -  
Summers.eng.collective@gmail.com

#	Date:	Revision:

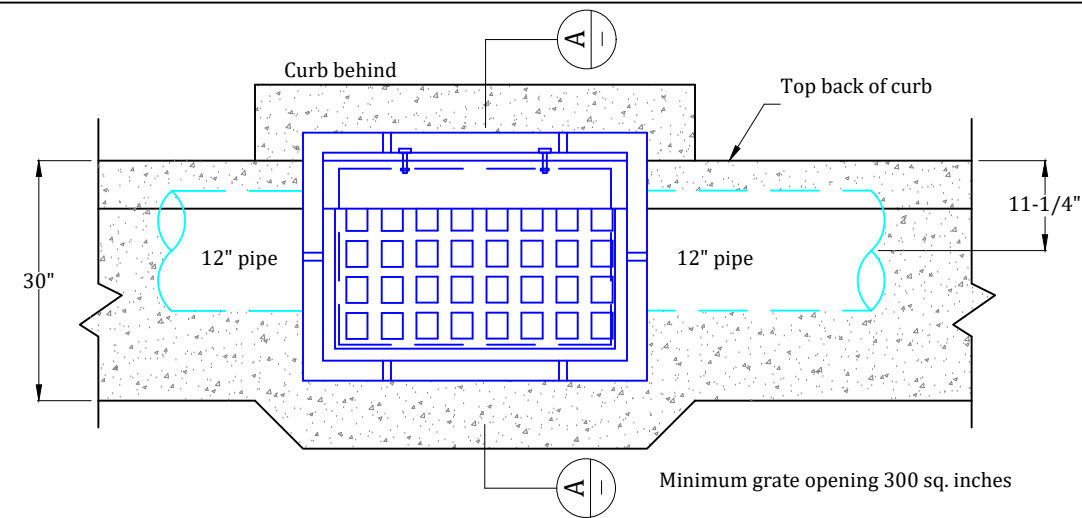
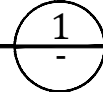
Sheet 29 of 36



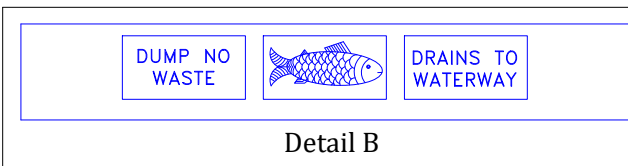
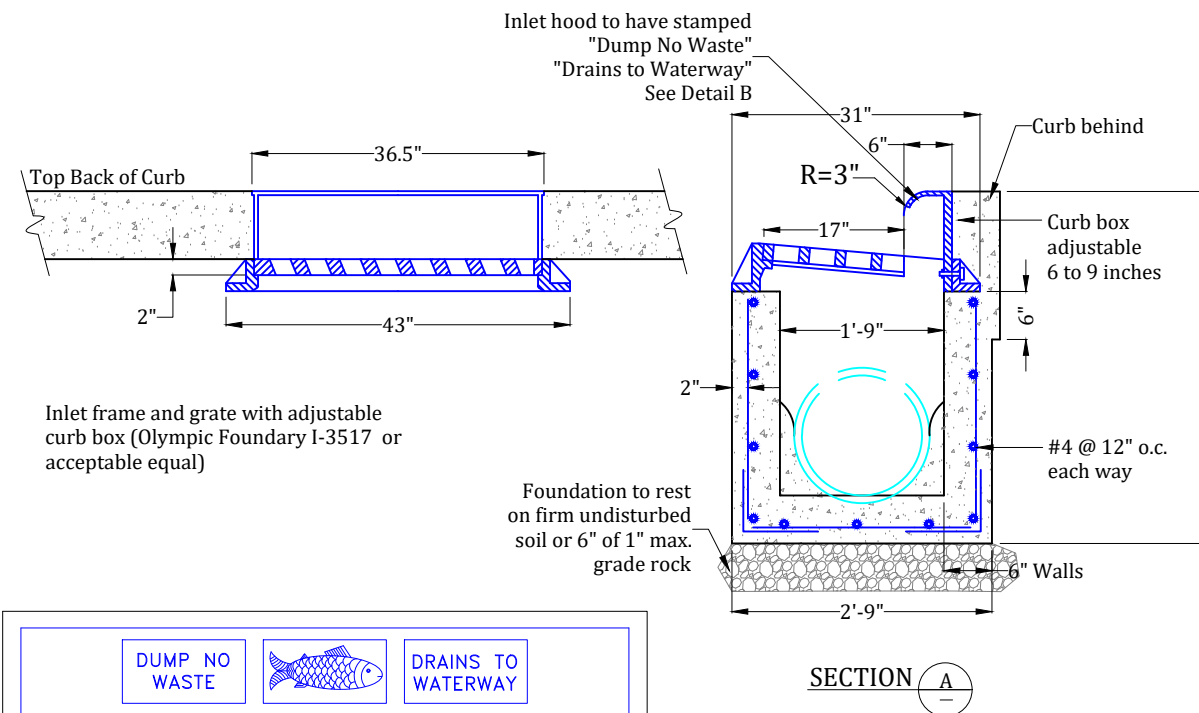


**NOTE:**  
All County residents or commercial water users to be given 24 hour written notice before looping or shutting down any waterline.

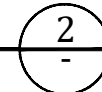
**TYPICAL WATER LOOP**  
SCALE: NONE



- NOTES:**
1. All reinforcement shall be #4 deformed steel, grade 60.
  2. All reinforcement shall be placed at 9" o.c. each way in the floor and the walls.
  3. The adjustable curb box inlet grate shall be bicycle safe. D&L Supply I-3517 or acceptable equal.
  4. All pipes in the box shall be cut with the interior of the box and grouted smooth.
  5. Rebar shall have 2" clear on earth side of structure.

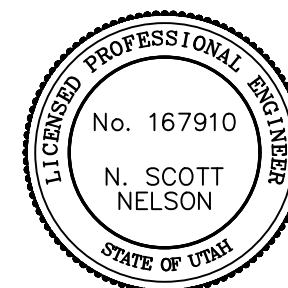


**STANDARD STORM DRAIN HOODED CATCH BASIN**  
SCALE: NONE



Developer:  
Pat Burns  
Lync Construction  
801-710-2234

Approved for Construction  
Weber City Engineer  
Date: \_\_\_\_\_



Project: **IMPROVEMENTS STAGECOACH ESTATES WEBER COUNTY, UTAH**

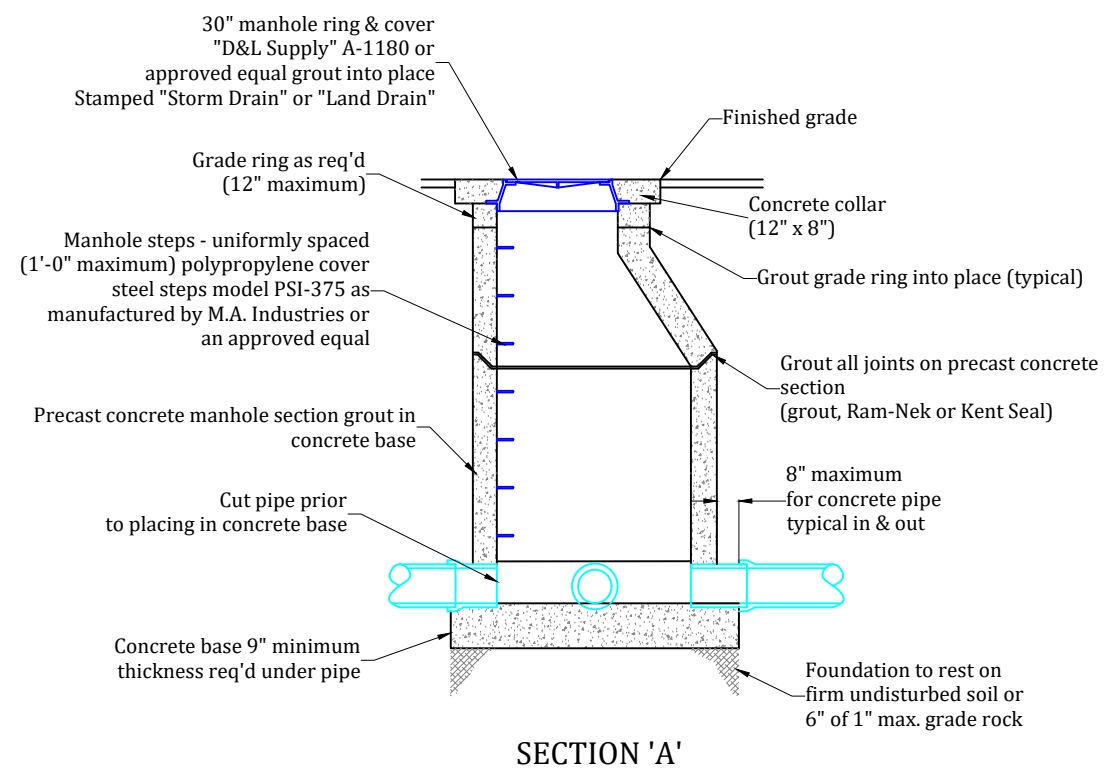
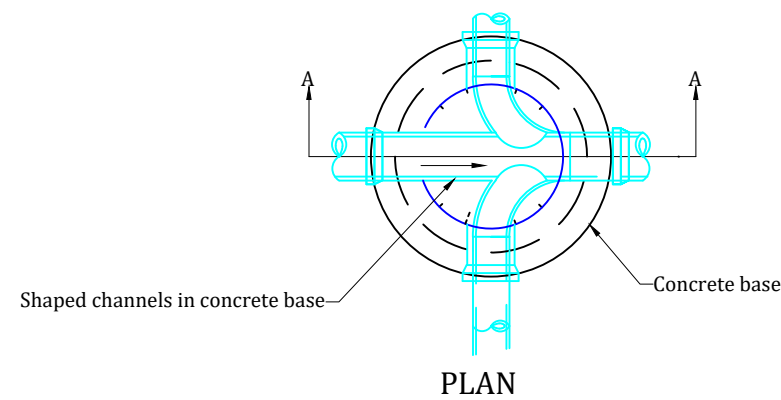
Title: **DETAILS: CULINARY WATER & STORM DRAIN**

Date: 22 OCTOBER 2021

Sheet 30 of 36

Prepared By: **Summers Engineering Collective**  
- Jen Summers -  
Summers.eng.collective@gmail.com

#	Date	Revision

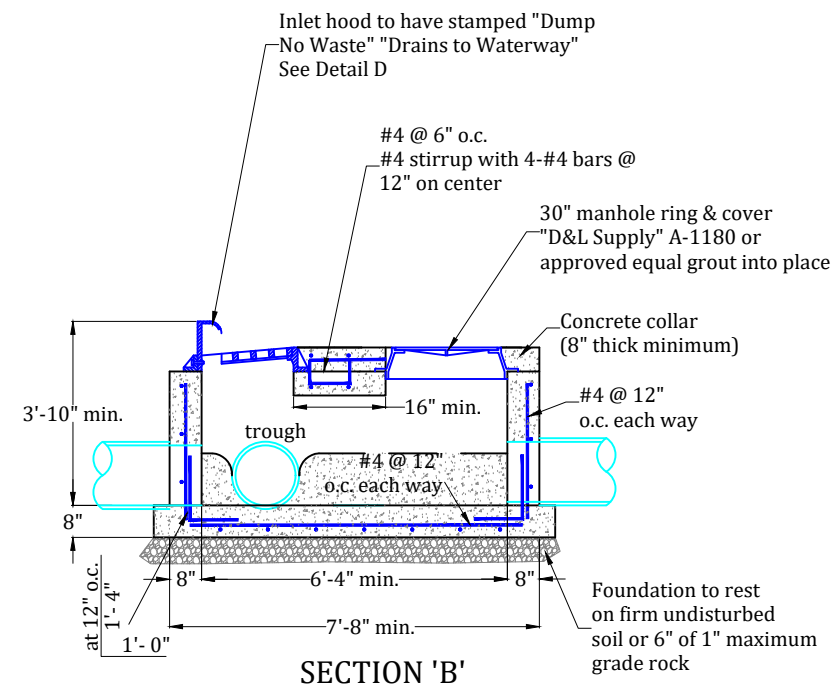


NOTE:  
Cast in place manhole shown precast reinforced manhole acceptable.

**STANDARD STORM & LAND DRAIN MANHOLE**

SCALE: NONE

1

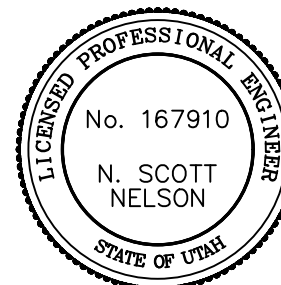
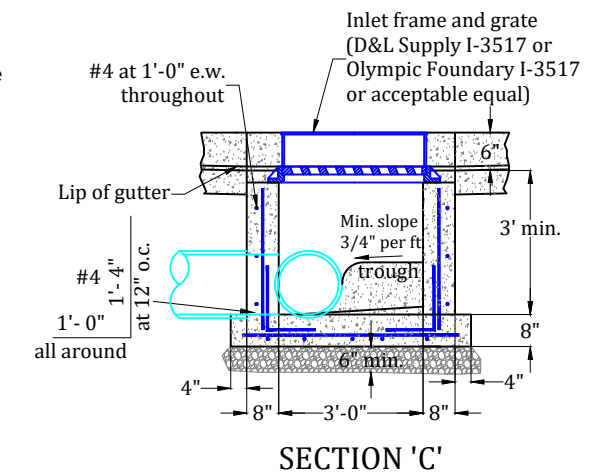
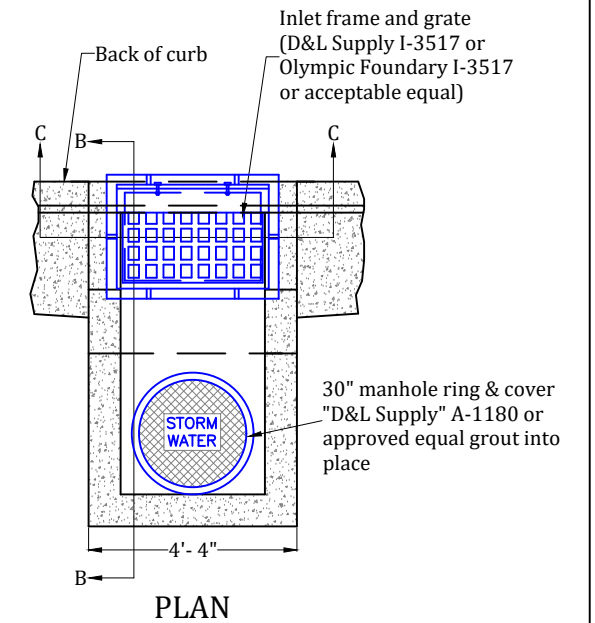


NOTE:  
Details here are for "cast-in-place" box.

**STANDARD STORM DRAIN COMBINATION BOX**

SCALE: NONE

2



Project: **IMPROVEMENTS STAGECOACH ESTATES WEBER COUNTY, UTAH**

Title: **DETAILS: STORM DRAIN**

Date: 22 OCTOBER 2021

Sheet 31 of 36

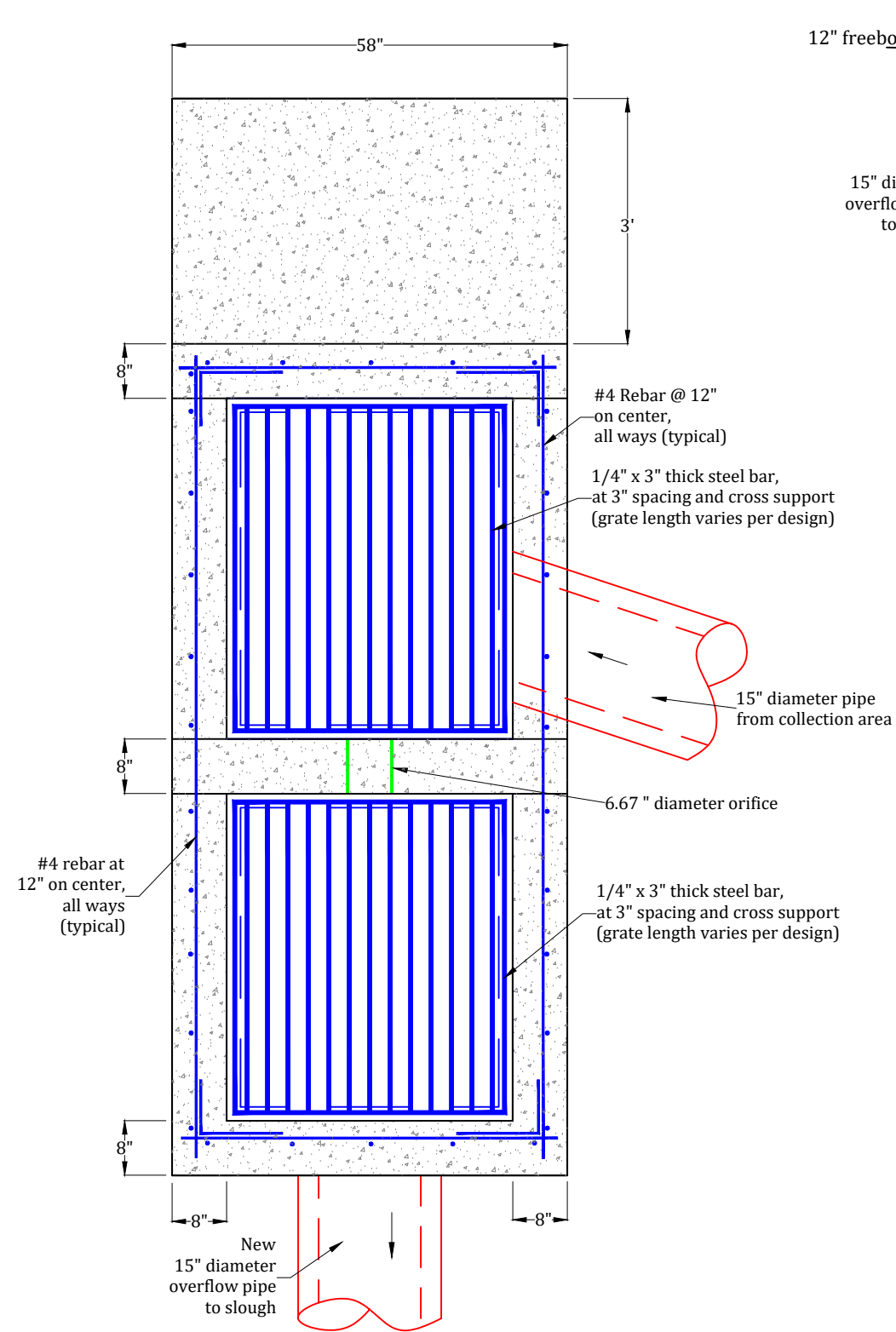
Prepared By: **Summers Engineering Collective**  
- Jen Summers -  
Summers.eng.collective@gmail.com

#	Date:	Revision:

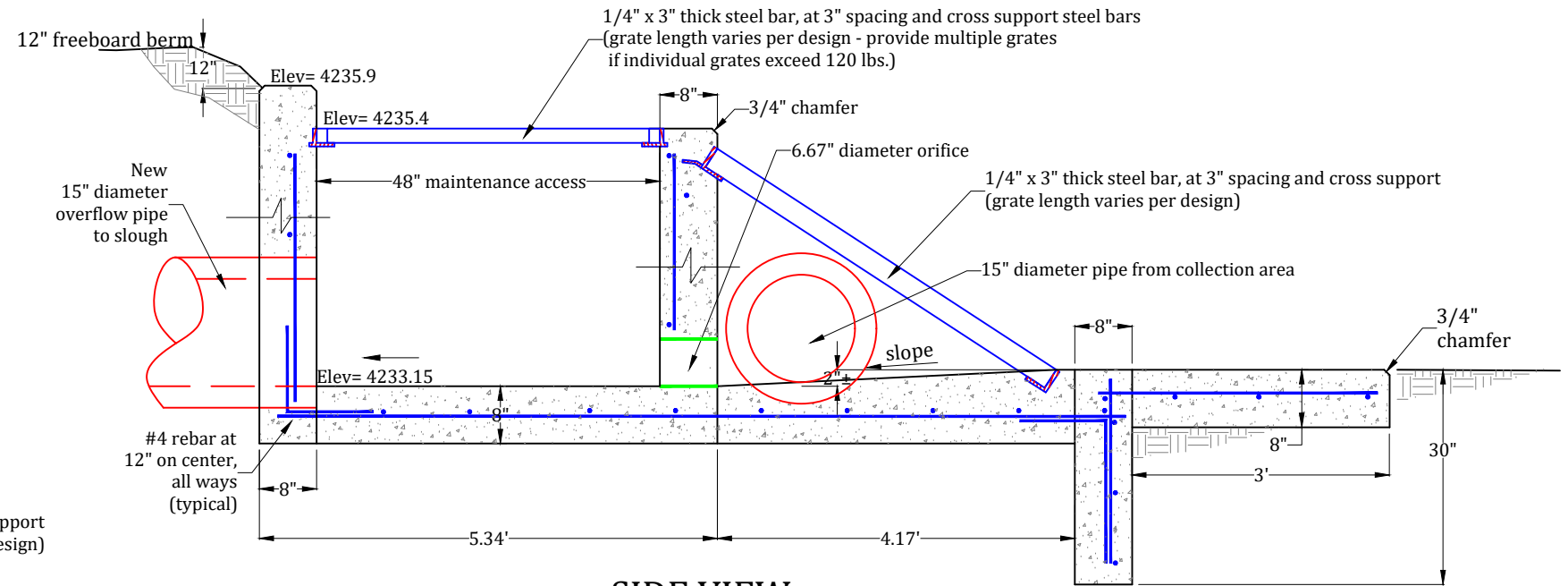
Developer:  
Pat Burns  
Lync Construction  
801-710-2234

Approved for Construction  
Weber City Engineer  
Date: \_\_\_\_\_



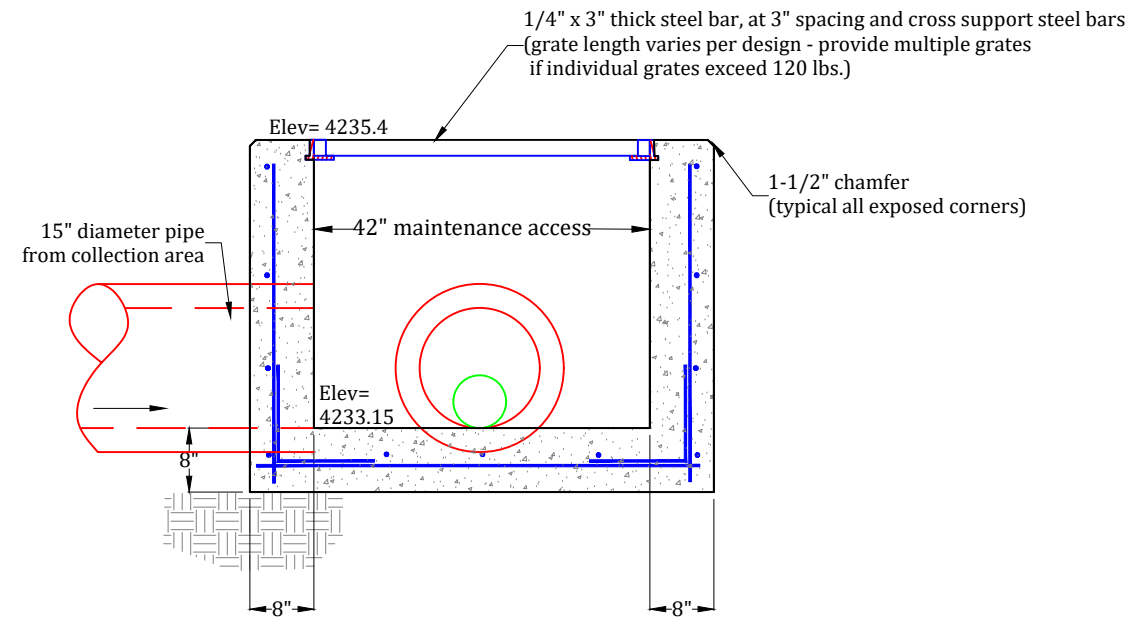


PLAN VIEW



SIDE VIEW

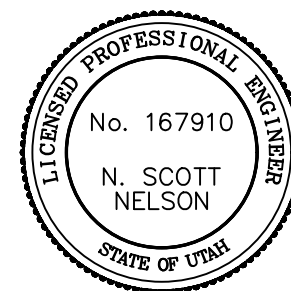
NOTE:  
All exposed concrete corners  
to have a 3/4" chamfered corner



SECTION VIEW

DETENTION POND #1  
INLET/OUTLET STRUCTURE  
SCALE: NONE

1

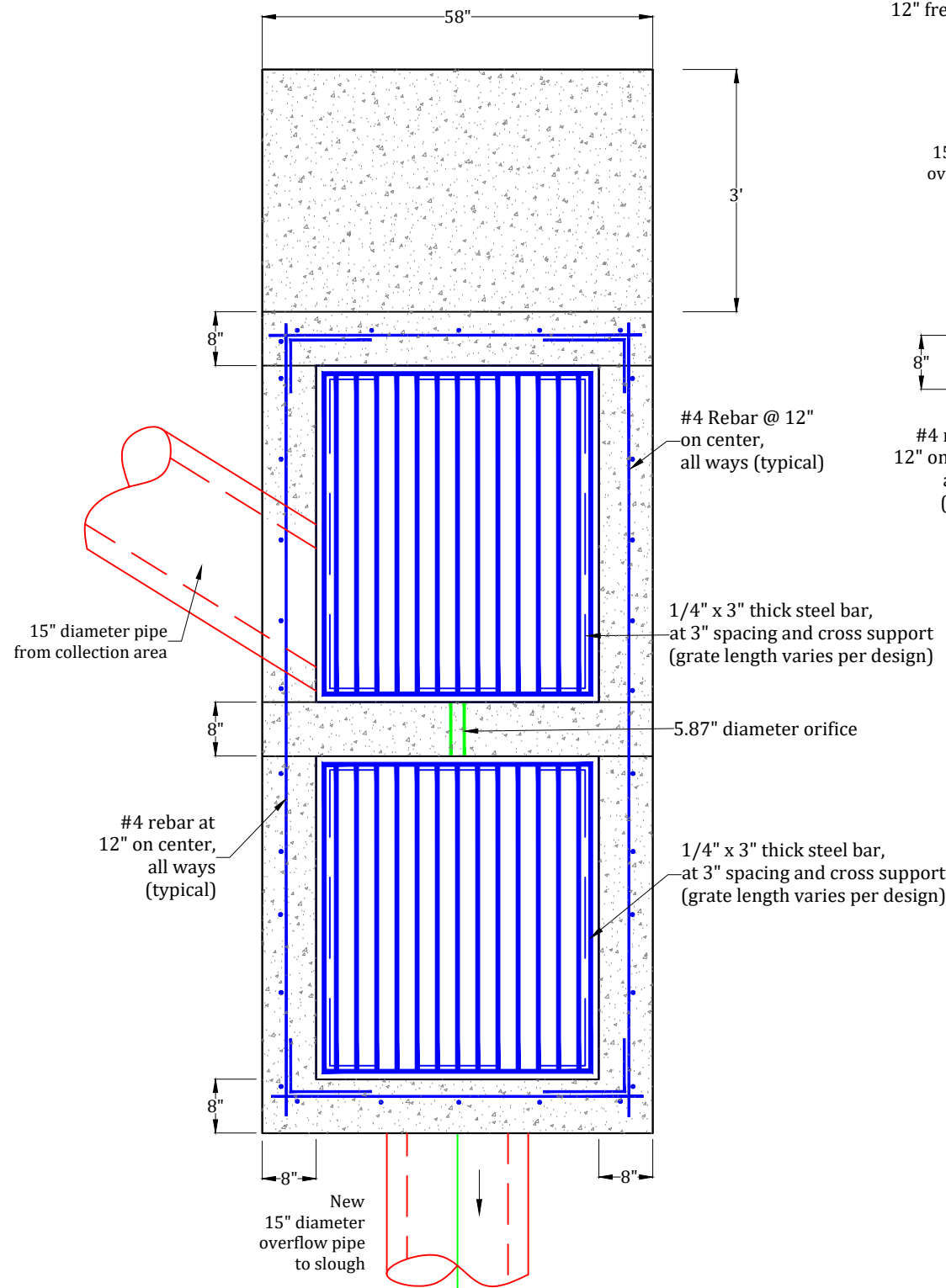


Project:	IMPROVEMENTS STAGECOACH ESTATES WEBER COUNTY, UTAH
Title:	DETAILS: DETENTION POND #1 INLET/OUTLET STRUCTURE
Date:	22 OCTOBER 2021

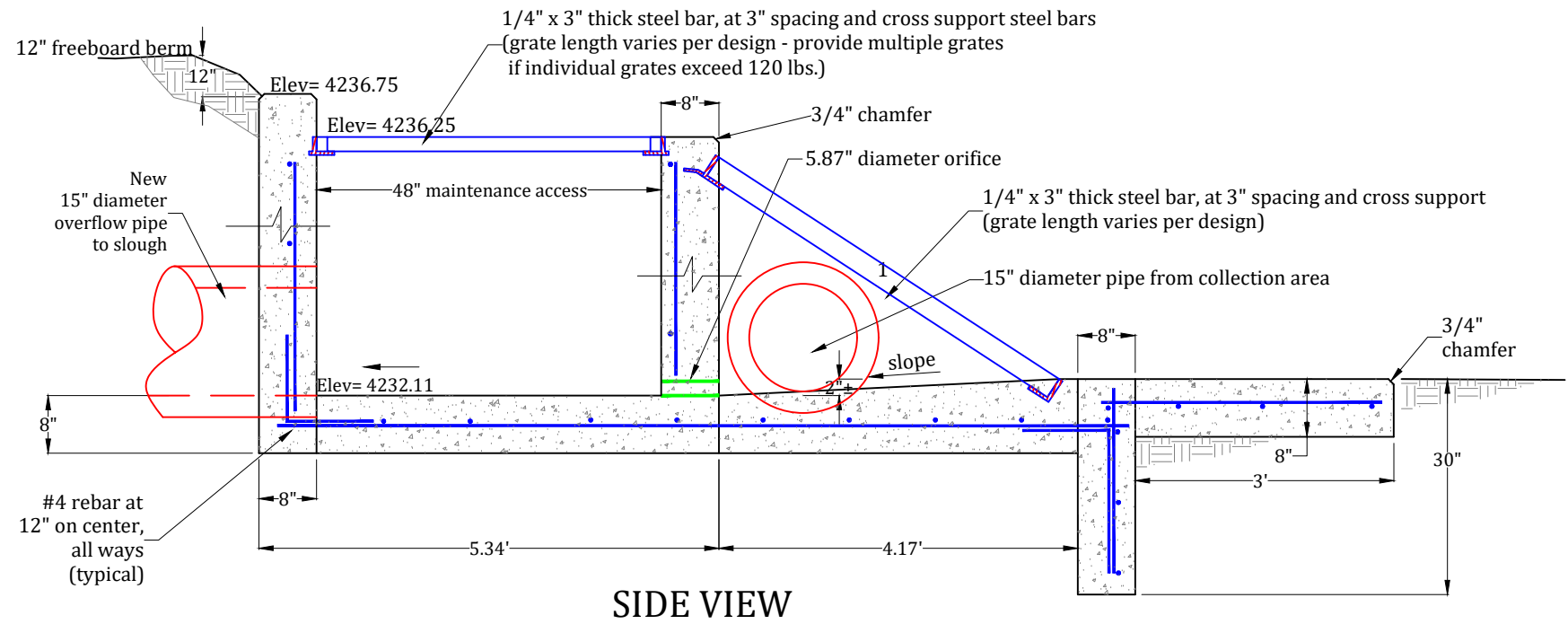
Prepared By:	Summers Engineering Collective - Jen Summers - Summers.eng.collective@gmail.com	
#	Date:	Revision:

Developer:  
Pat Burns  
Lync Construction  
801-710-2234

Approved for Construction  
Weber City Engineer  
Date: \_\_\_\_\_

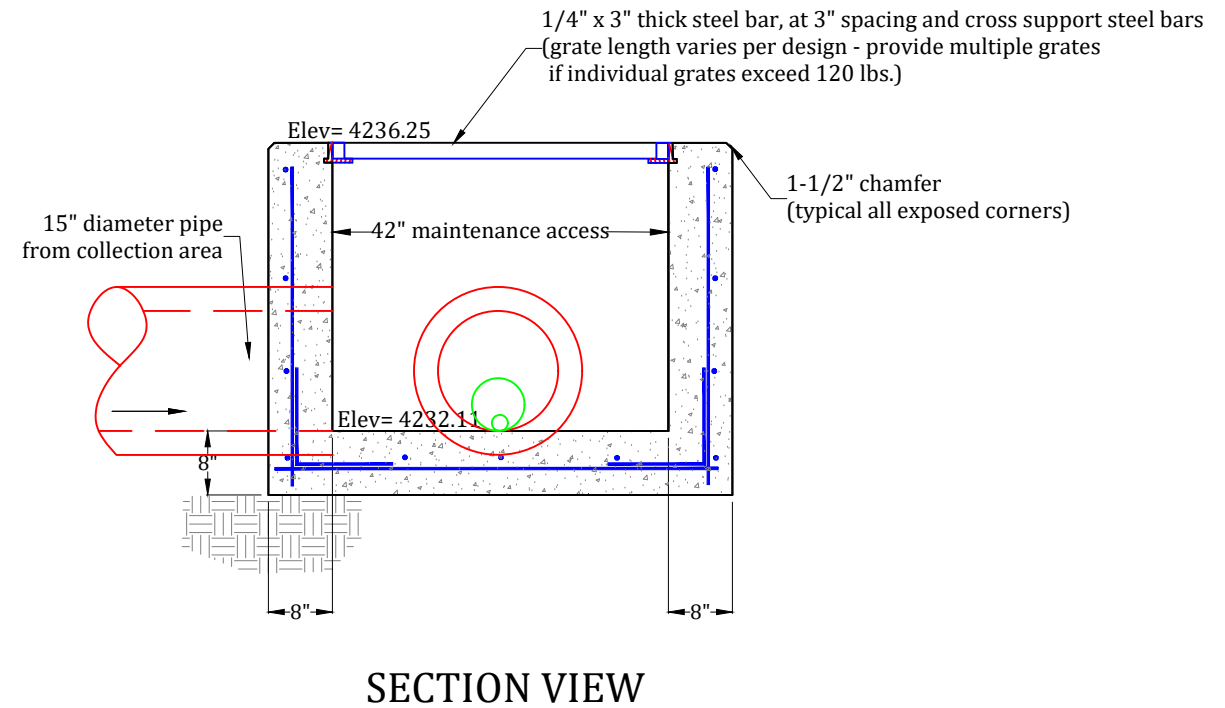


**PLAN VIEW**



**SIDE VIEW**

**NOTE:**  
All exposed concrete corners  
to have a 3/4" chamfered corner



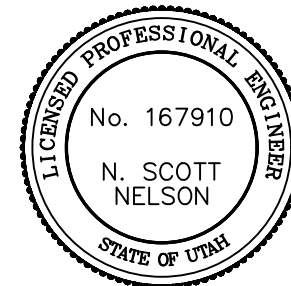
**SECTION VIEW**

Developer:  
Pat Burns  
Lync Construction  
801-710-2234

Approved for Construction  
Weber City Engineer  
Date: \_\_\_\_\_

**DETENTION POND #2**  
**INLET/OUTLET STRUCTURE**  
SCALE: NONE

1  
-

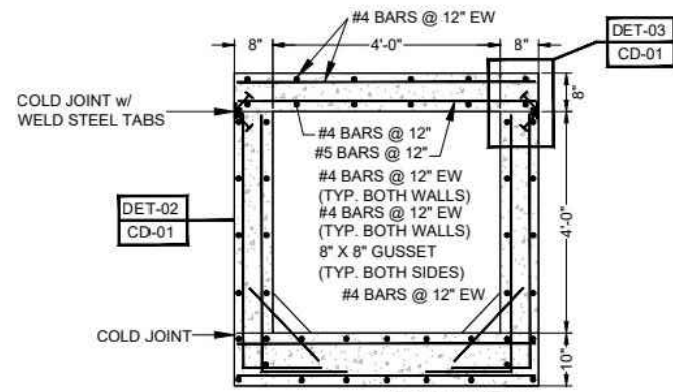


Project: **IMPROVEMENTS STAGECOACH ESTATES WEBER COUNTY, UTAH**  
Title: **DETAILS: DETENTION POND #2 INLET/OUTLET STRUCTURE**  
Date: **22 OCTOBER 2021**

Prepared By: **Summers Engineering Collective**  
- Jen Summers -  
Summers.eng.collective@gmail.com

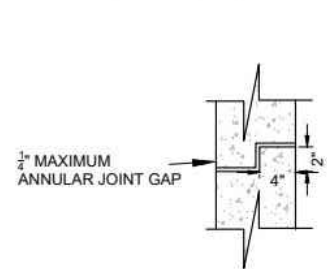
#	Date	Revision

Sheet 33 of 36

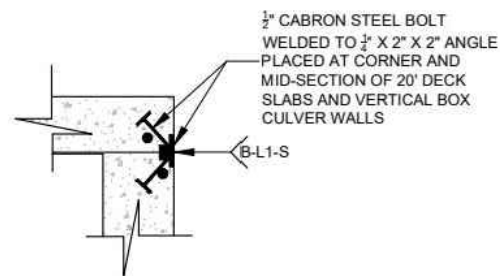


NOTES: 1) PLACE MINIMUM 2.0' OF COMPACTED STRUCTURAL FILL AT BOX CULVERT BASE. 2) 20' MAXIMUM SECTION LENGTH WITH TONGUE & GROOVE JOINTS CONNECTING INDIVIDUAL SECTIONS. 3) ALL REBAR LAP SLICES SHALL BE MINIMUM OF 24"

**DET - 1 CAST-IN-PLACE CONCRETE BOX CULVERT**  
PP - 02 NO SCALE



**DET - 2 TONGUE & GROOVE ANNULAR JOINT**  
CD-01 NO SCALE

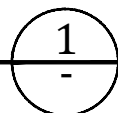


**DET - 3 CONCRETE TOP DECK - WALL WELDING TAB INSERT**  
CD-01 NO SCALE

Detail designed by Edwin H. Christensen, P.E. #168487

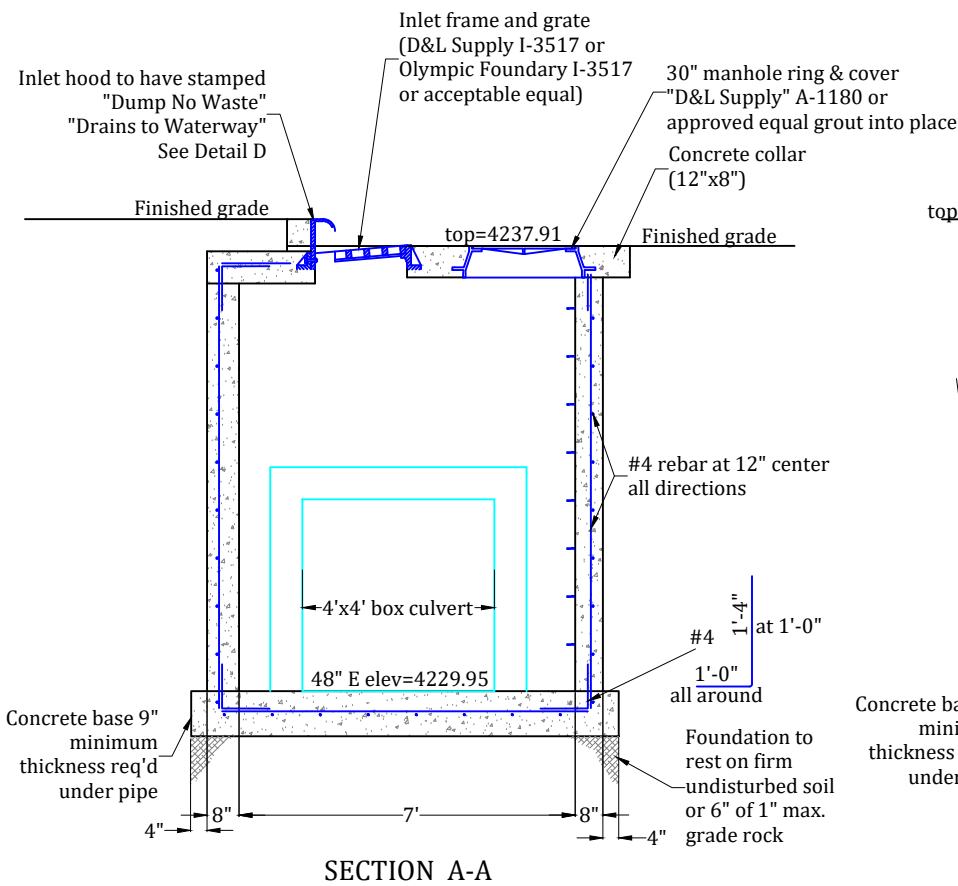
Terrex Engineering & Construction, LLC  
Land Development - Public Works - Water & Wastewater Utilities  
P.O. Box 13059 Ogden, UT 84412 (801) 458-9647

**4'x4' BOX CULVERT**  
SCALE: NONE

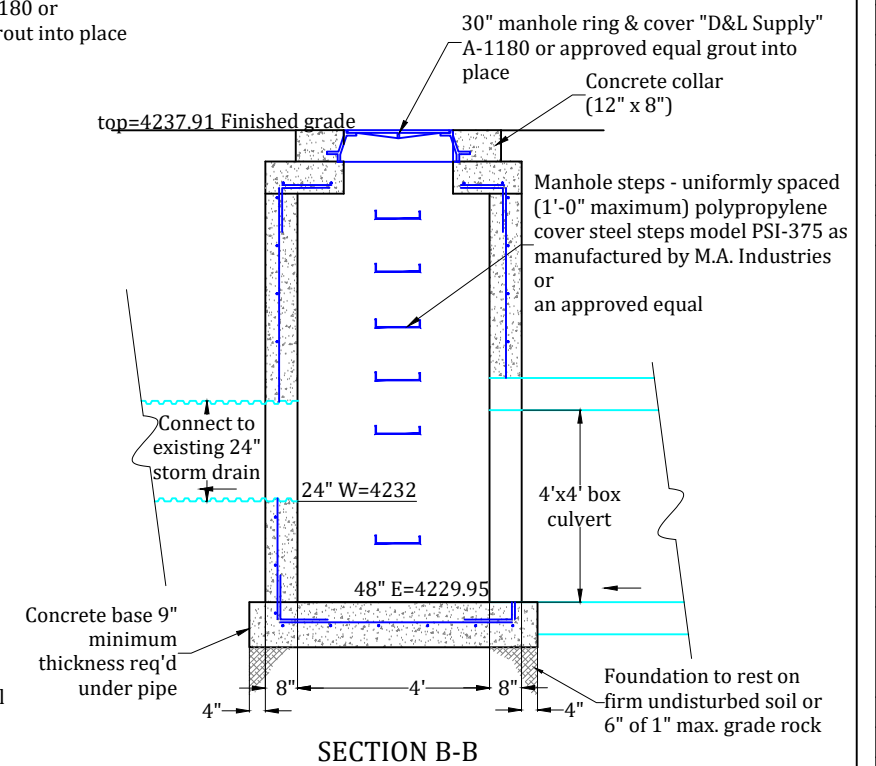
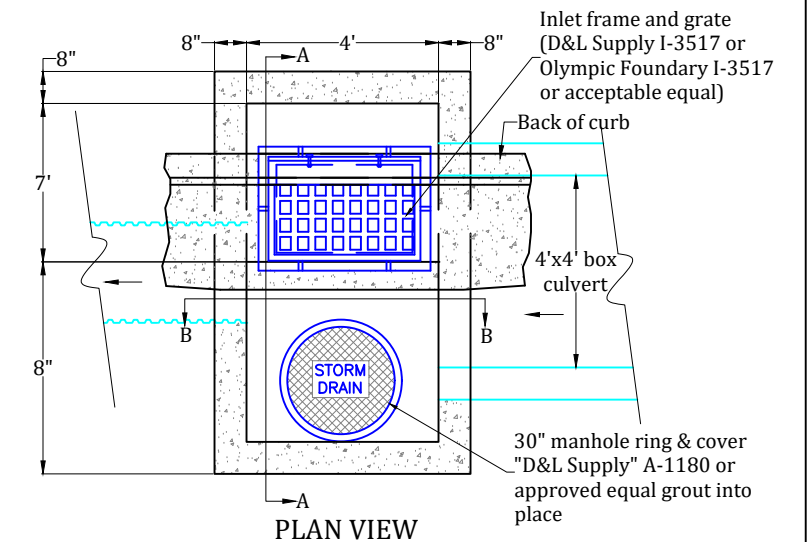


Developer:  
Pat Burns  
Lync Construction  
801-710-2234

Approved for Construction  
Weber City Engineer  
Date: \_\_\_\_\_

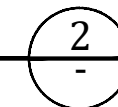


SECTION A-A



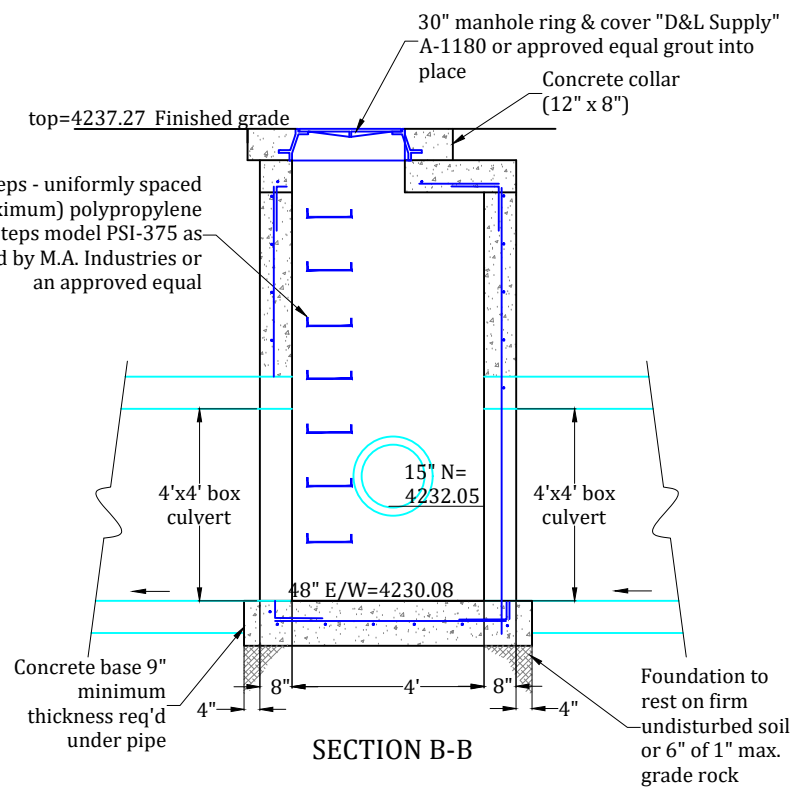
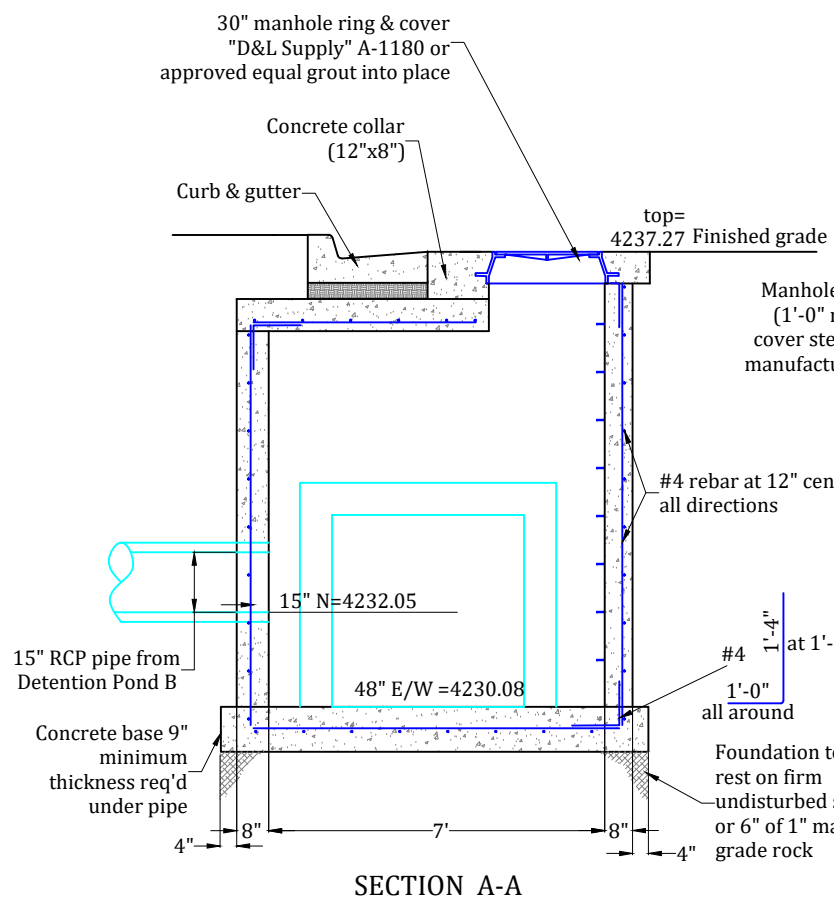
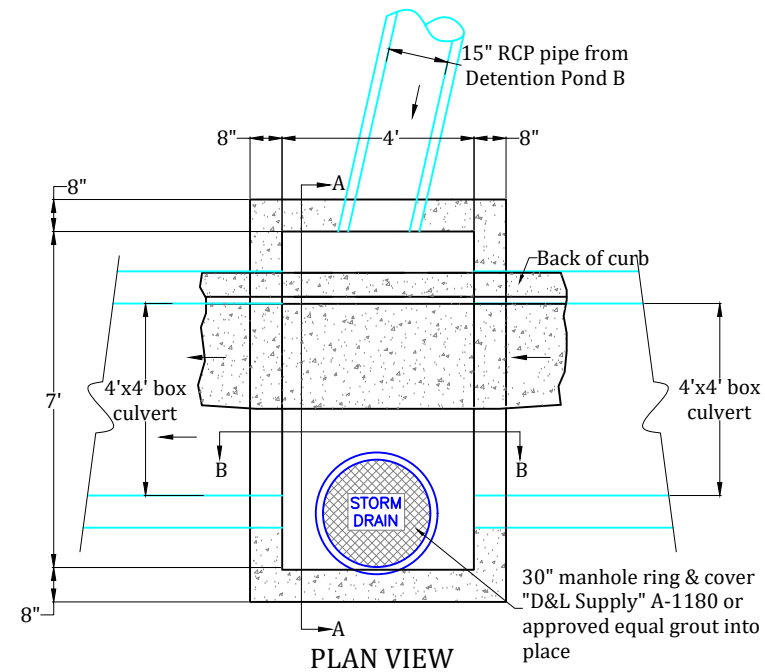
SECTION B-B

**STA 300+20**  
**STORM DRAIN VAULT**  
SCALE: NONE



Project: <b>IMPROVEMENTS STAGECOACH ESTATES WEBER COUNTY, UTAH</b>		Prepared By: <b>Summers Engineering Collective</b> - Jen Summers - Summers.eng.collective@gmail.com	
Title: <b>DETAILS: BOX CULVERT &amp; STORM DRAIN VAULT</b>		#	Date: Revision:
Date: <b>22 OCTOBER 2021</b>	Sheet <b>34</b> of <b>36</b>		



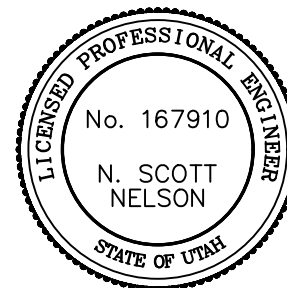


**STA 308+10  
STORM DRAIN VAULT**  
SCALE: NONE

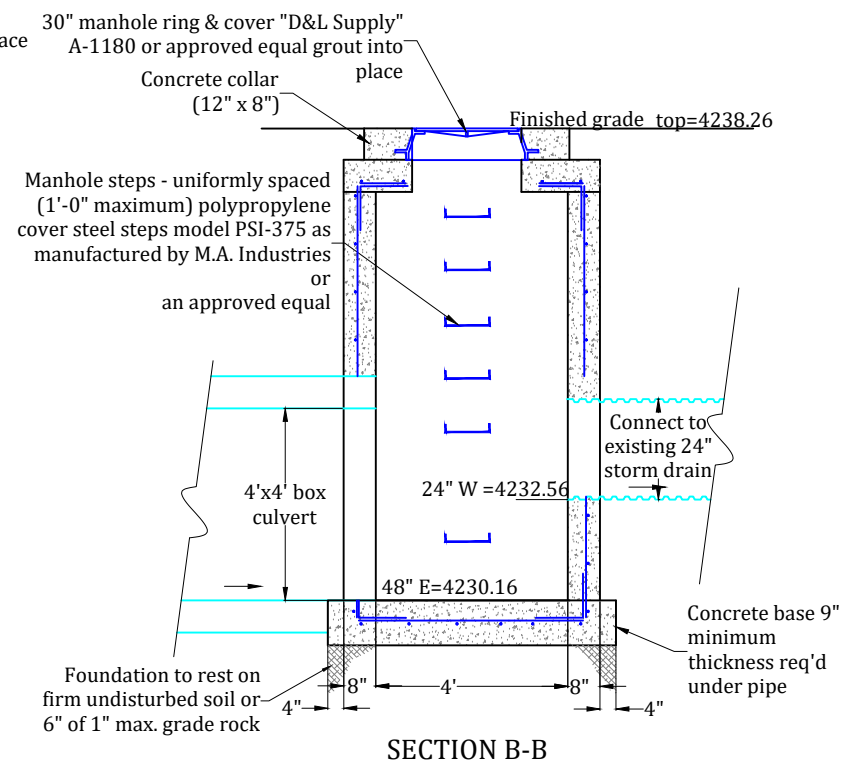
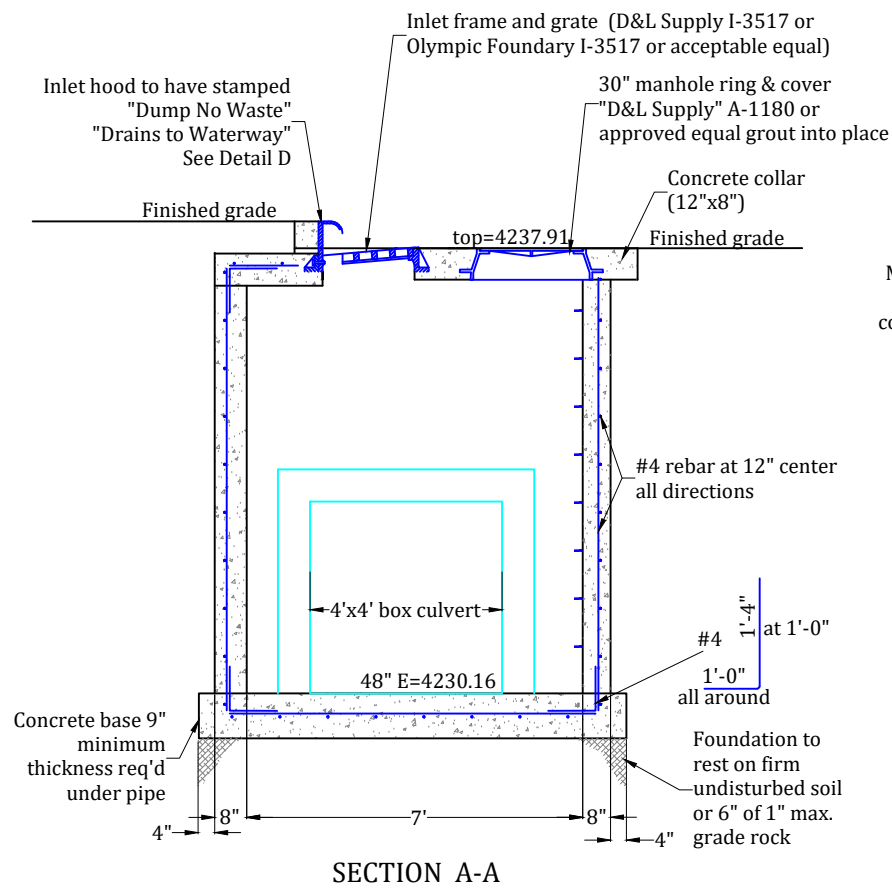
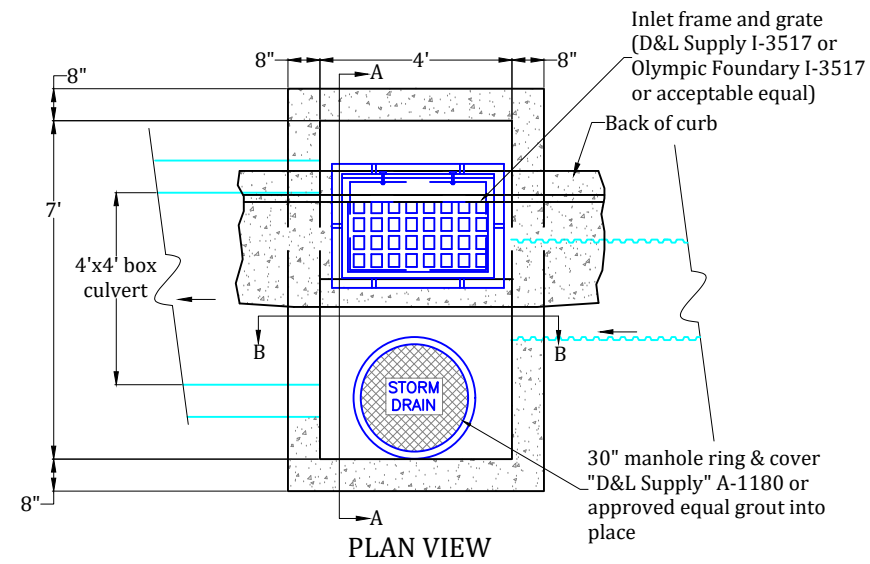
1

Developer:  
Pat Burns  
Lync Construction  
801-710-2234

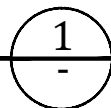
Approved for Construction  
Weber City Engineer  
Date: \_\_\_\_\_



Project: <b>IMPROVEMENTS STAGECOACH ESTATES WEBER COUNTY, UTAH</b>		Prepared By: <b>Summers Engineering Collective</b> - Jen Summers - Summers.eng.collective@gmail.com	
Title: <b>DETAILS: STORM DRAIN VAULT</b>		#	Date: _____
Date: 22 OCTOBER 2021		Revision:	_____
Sheet 35 of 36			

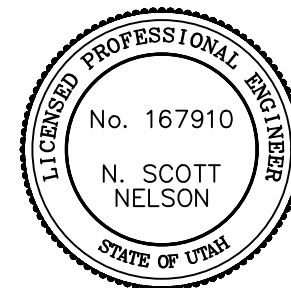


**STA 313+17**  
**STORM DRAIN VAULT**  
 SCALE: NONE



Developer:  
 Pat Burns  
 Lync Construction  
 801-710-2234

Approved for Construction  
 \_\_\_\_\_  
 Weber City Engineer  
 Date: \_\_\_\_\_



Project: <b>IMPROVEMENTS STAGECOACH ESTATES WEBER COUNTY, UTAH</b>		Prepared By: <b>Summers Engineering Collective</b> - Jen Summers - Summers.eng.collective@gmail.com	
Title: <b>DETAILS: STORM DRAIN VAULT</b>		#	Date: Revision:
Date: 22 OCTOBER 2021	Sheet 36 of 36		