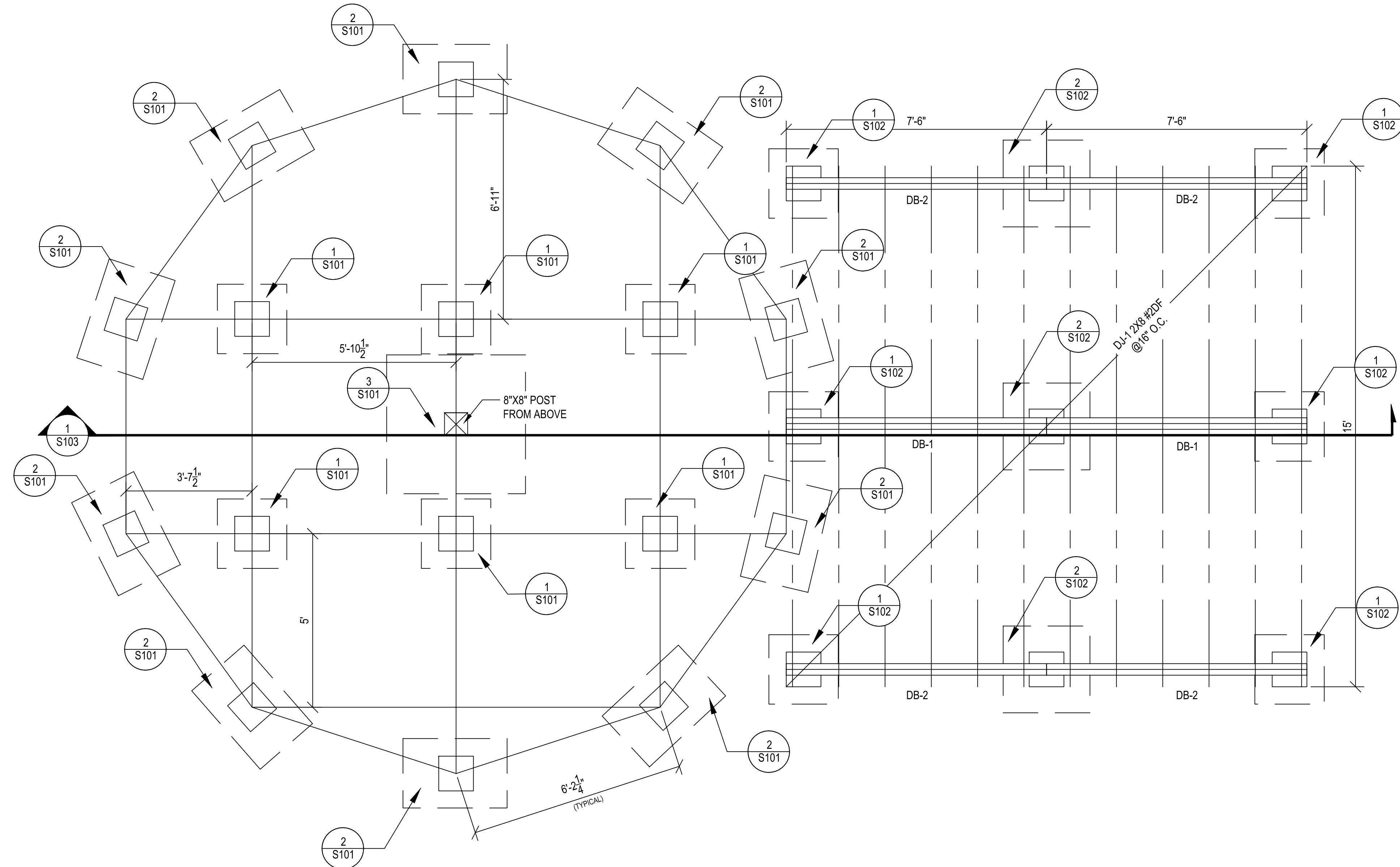


BEAM SCHEDULE
 DB-1 (3) 2X12 #2DF
 DB-2 (2) 2X12 #2DF



1 S100 20'Ø YURT FOOTING AND FOUNDATION PLAN
 SCALE: 1/2" = 1'-0"

Preliminary
 Not For Construction
 09/23/2021 3:48:53 PM

REV#	BY	DATE	DESCRIPTION

PROJECT MANAGER G. NELSON	CHECKED BY C. NEBEKER	DRAWN BY S. NEDELKOV	ISSUE DATE 09-21-2021
------------------------------	--------------------------	-------------------------	--------------------------

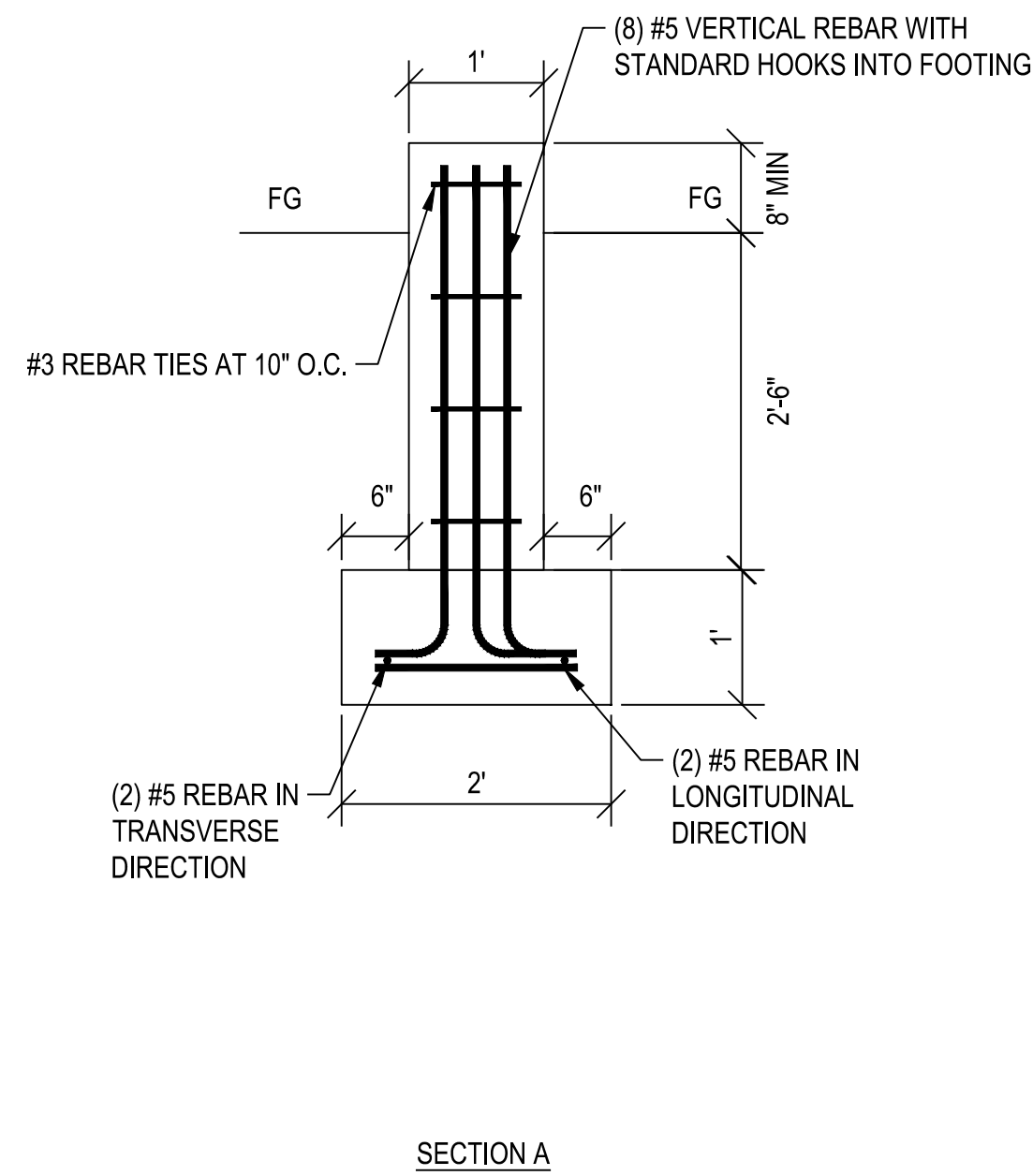
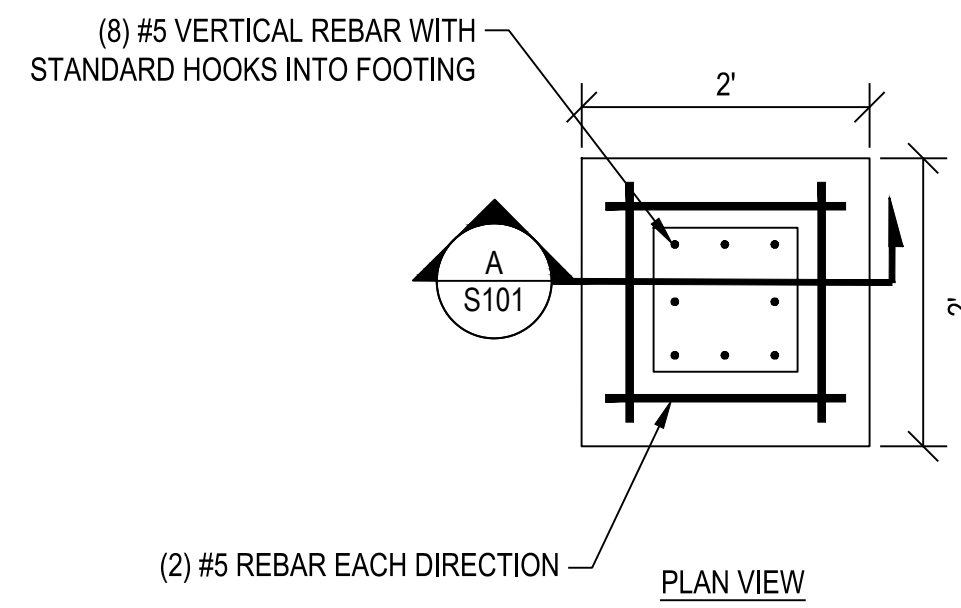
CRS ENGINEERS
 Answers to Infrastructure®
 PO Box 1485 | 2028 W 500 N | Vernal, UT 84078 | P: 435.781.2550 | www.crsengineers.com

IF THE SCALE BAR AT LEFT DOES NOT MEASURE 1" IN LENGTH, DO NOT USE. THE INFORMATION CONTAINED IN THIS DRAWING IS THE PROPERTY OF CRS ENGINEERS AND IS PROVIDED AS A SERVICE TO OUR CLIENTS. IT IS TO BE USED ONLY FOR THE PROJECT AND SITE SPECIFICALLY IDENTIFIED IN THE DRAWING. ANY REUSE OR REPRODUCTION OF THIS DRAWING WITHOUT THE WRITTEN PERMISSION OF CRS ENGINEERS IS STRICTLY PROHIBITED.

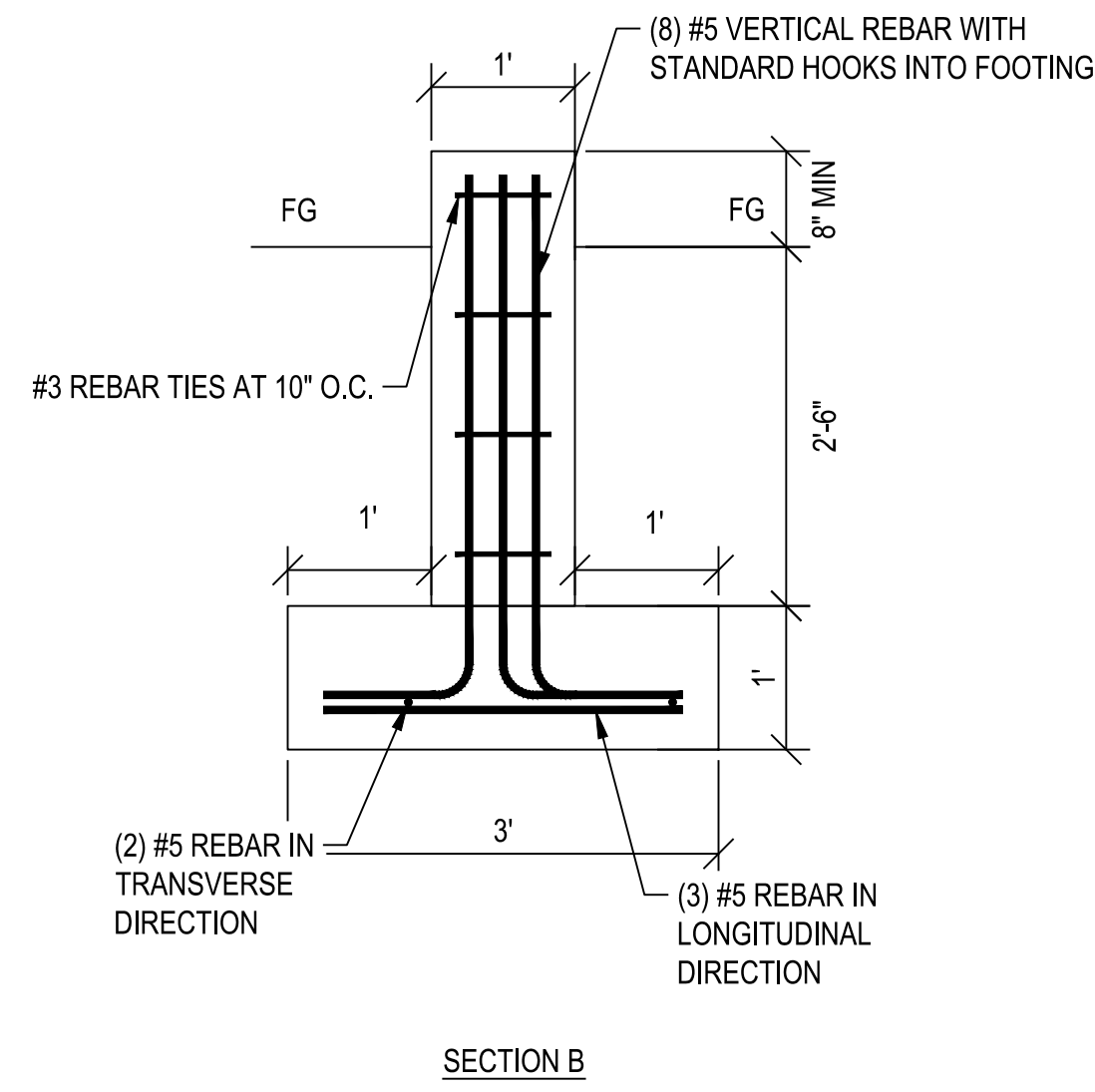
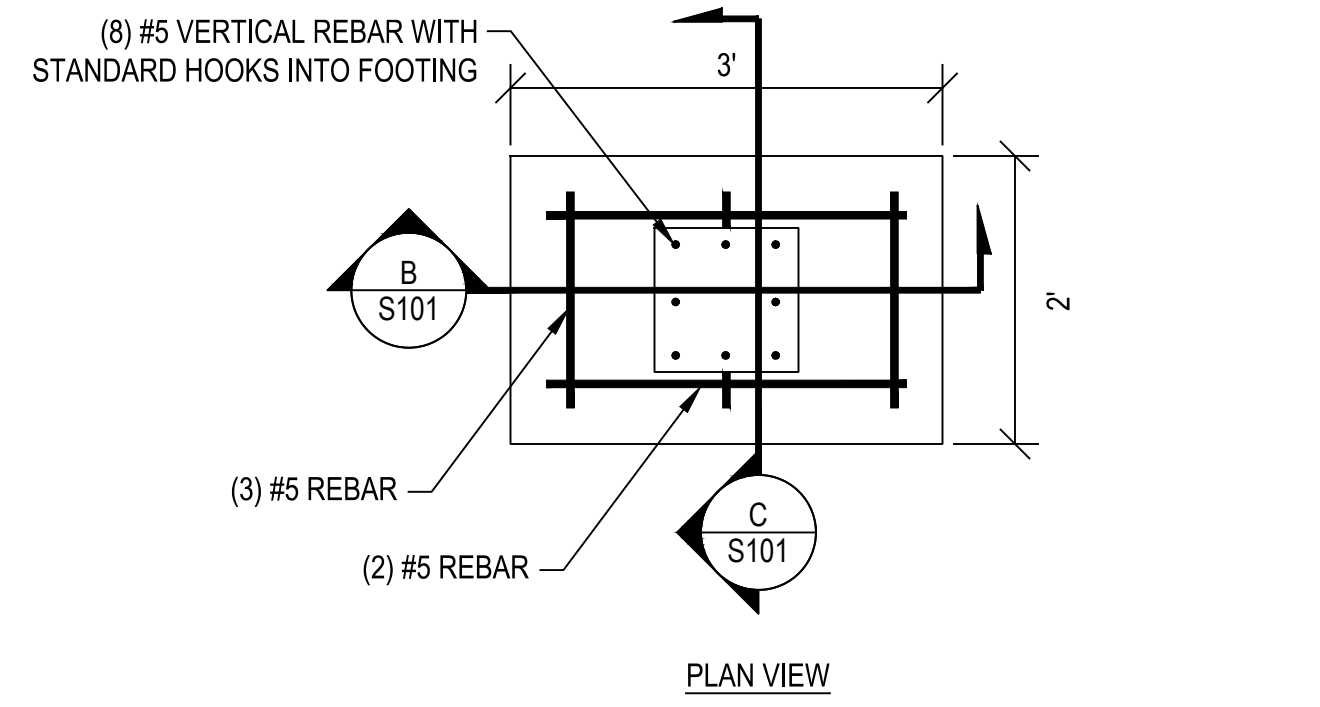
SNOWBASIN RESORT
 SNOWBASIN-GLAMPING
 FOOTING AND FOUNDATION PLAN

PROJECT NUMBER 2021-0176	SHEET OF 1 8	SHEET NUMBER S100
-----------------------------	-----------------	----------------------

File Path: P:\2021-0176 Snowbasin-Glamming Concept Design Drawings\Sheet\200 YERT.dwg Sep 23, 2021 - 2:26pm

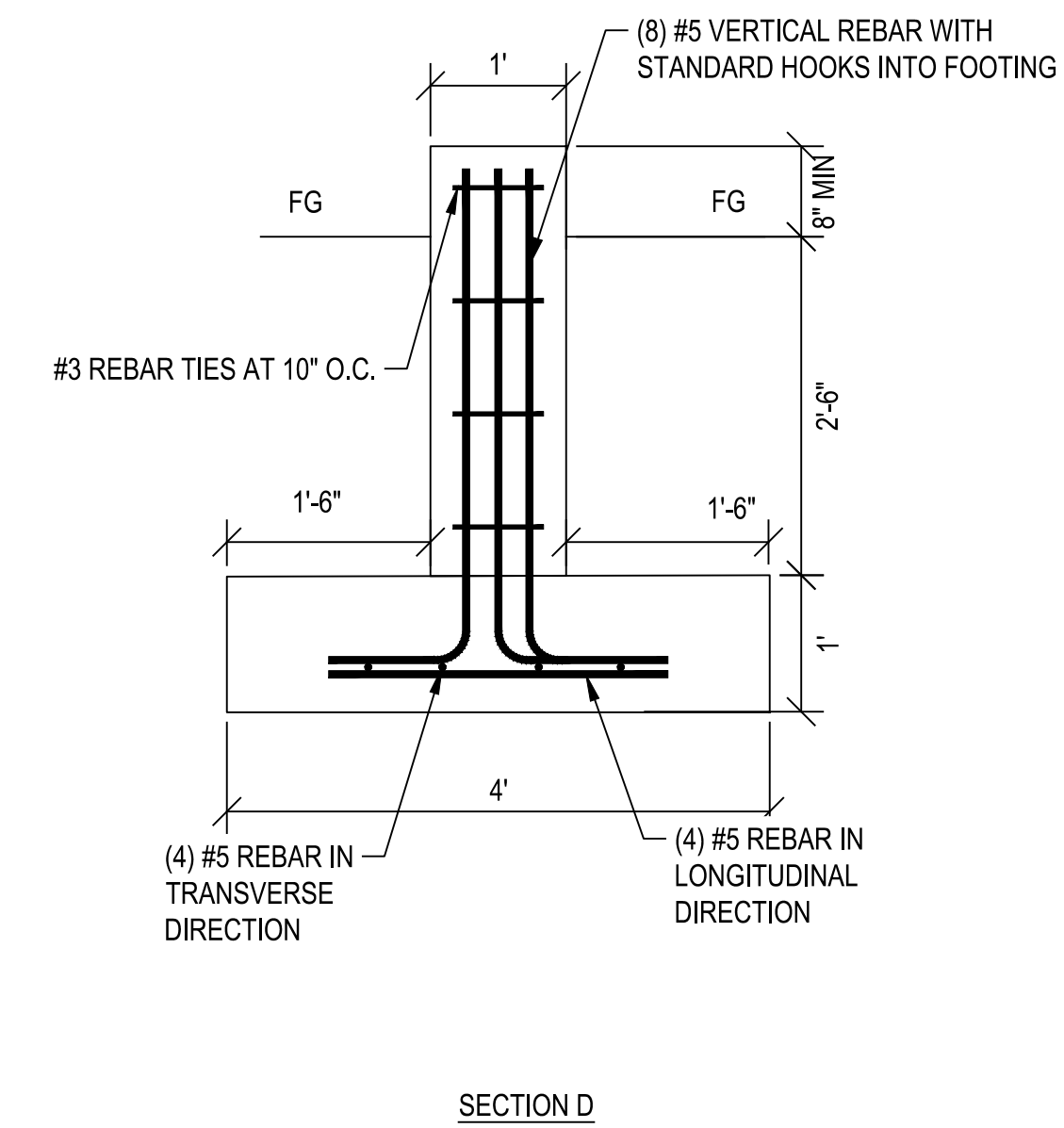
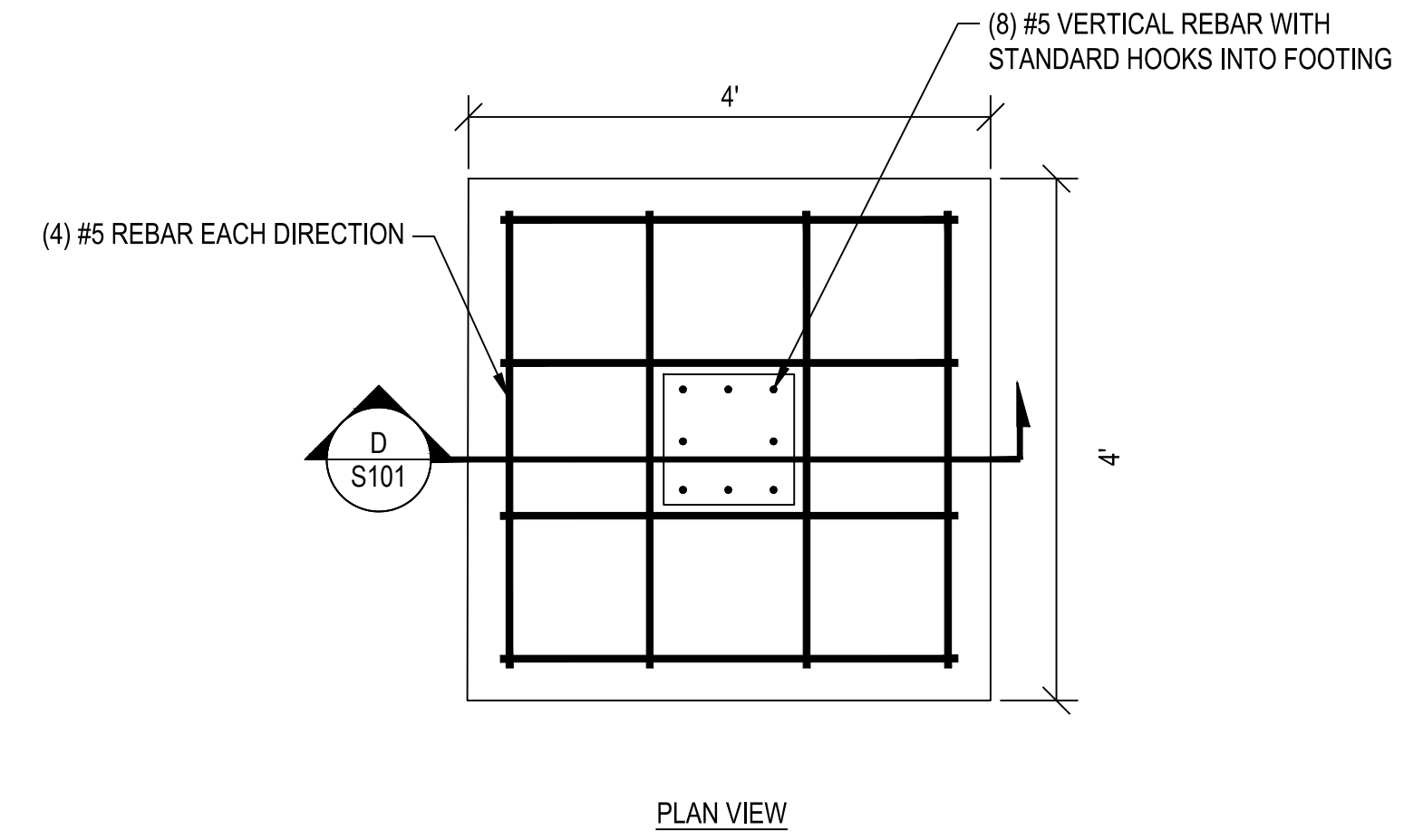


1 **2X2 FOOTING AND COLUMN**
S101 SCALE: 3/4" = 1'-0"



2 **2X3 FOOTING AND COLUMN**
S101 SCALE: 3/4" = 1'-0"

NOTE:
HEIGHT FROM FG TO TOP OF COLUMN WILL VARY.
CONTRACTOR TO ADJUST HEIGHT OF DECK COLUMNS TO MATCH DECK FLOOR TO YURT FLOOR.



3 **4X4 FOOTING AND COLUMN**
S101 SCALE: 3/4" = 1'-0"

Preliminary
Not For Construction
09/23/2021 3:49:03 PM

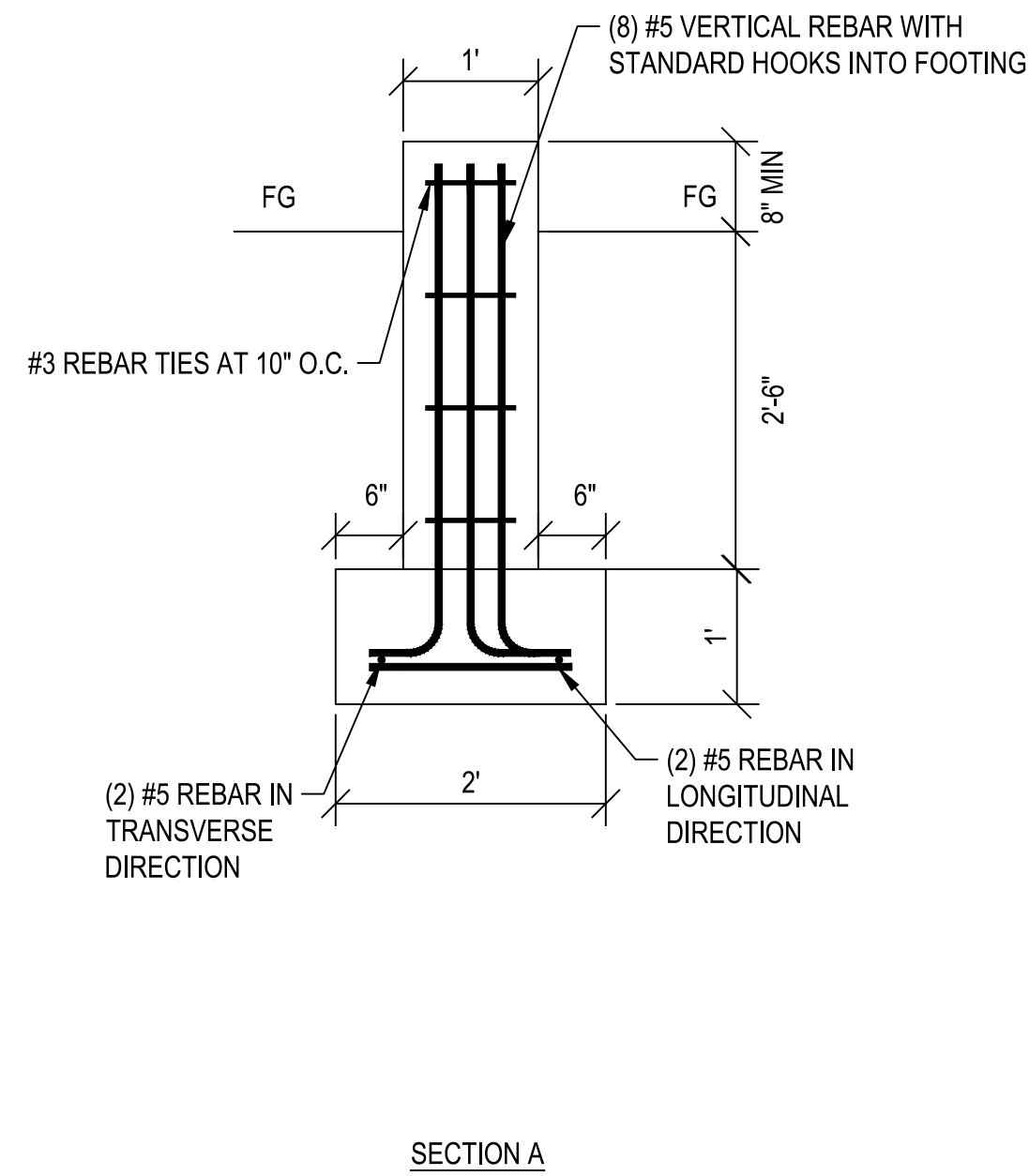
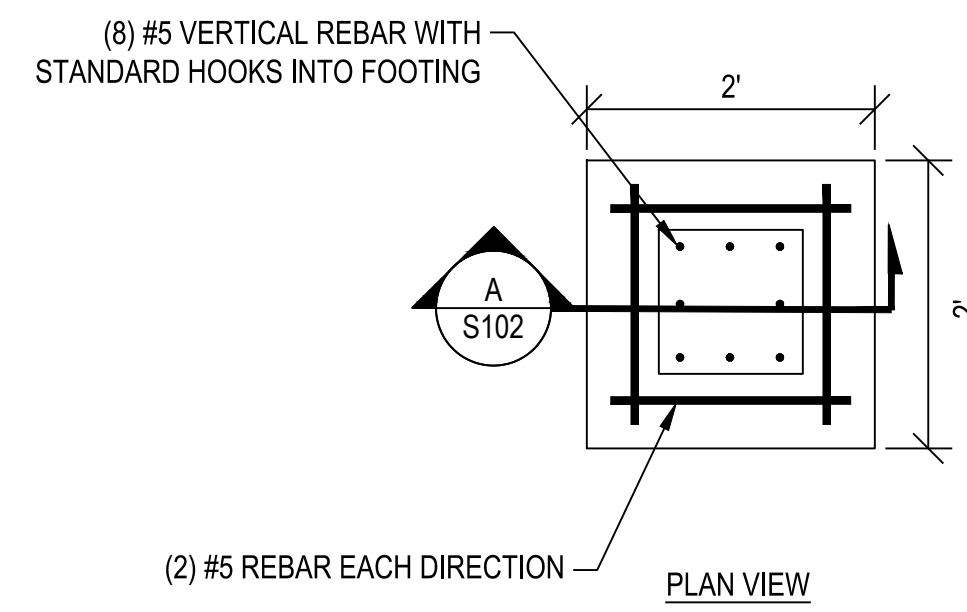
REV#	BY	DATE	DESCRIPTION

PROJECT MANAGER G. NELSON	CHECKED BY C. NEBEKER	DRAWN BY S. NEDELKOV	ISSUE DATE 09-21-2021
------------------------------	--------------------------	-------------------------	--------------------------

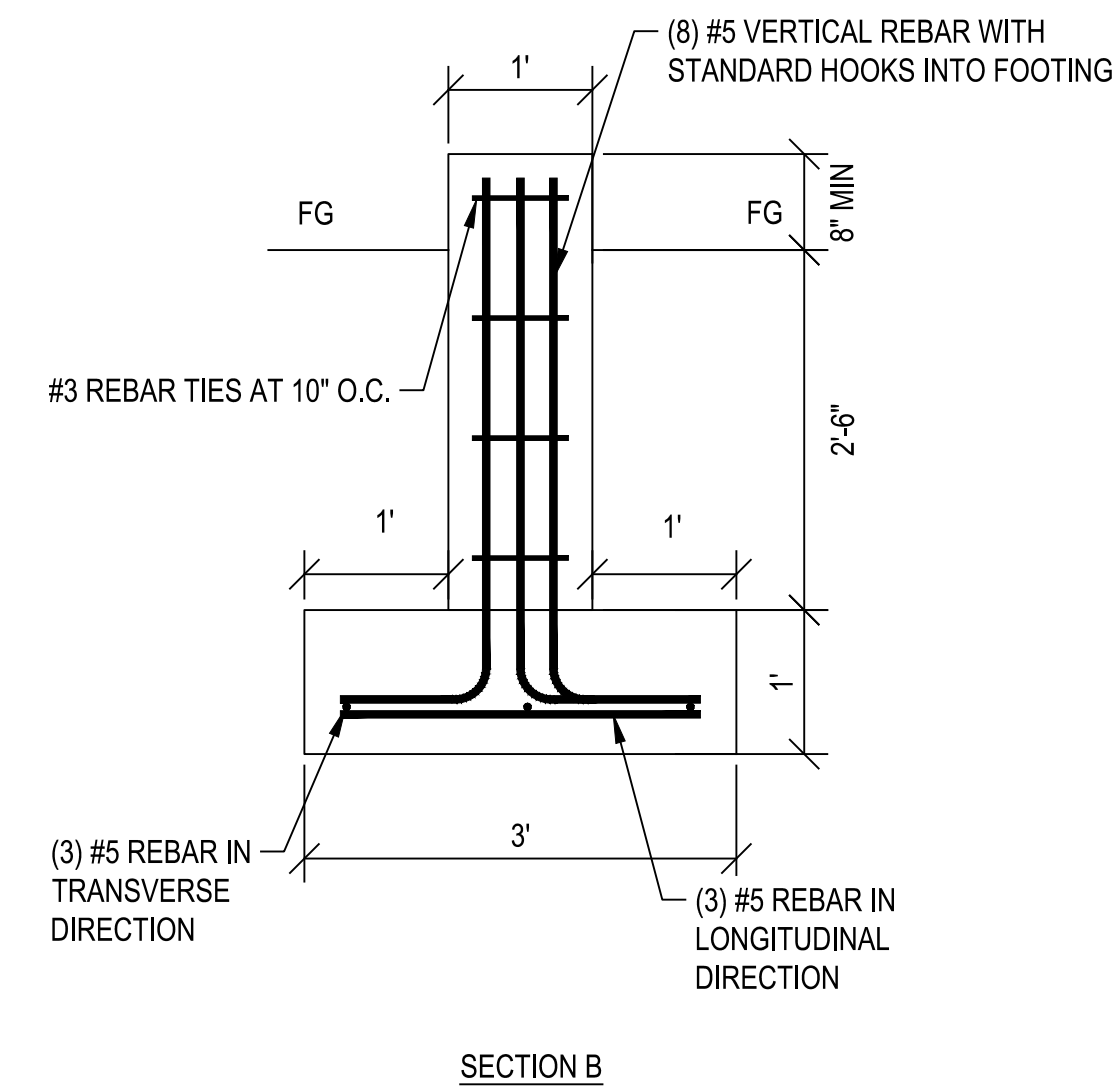
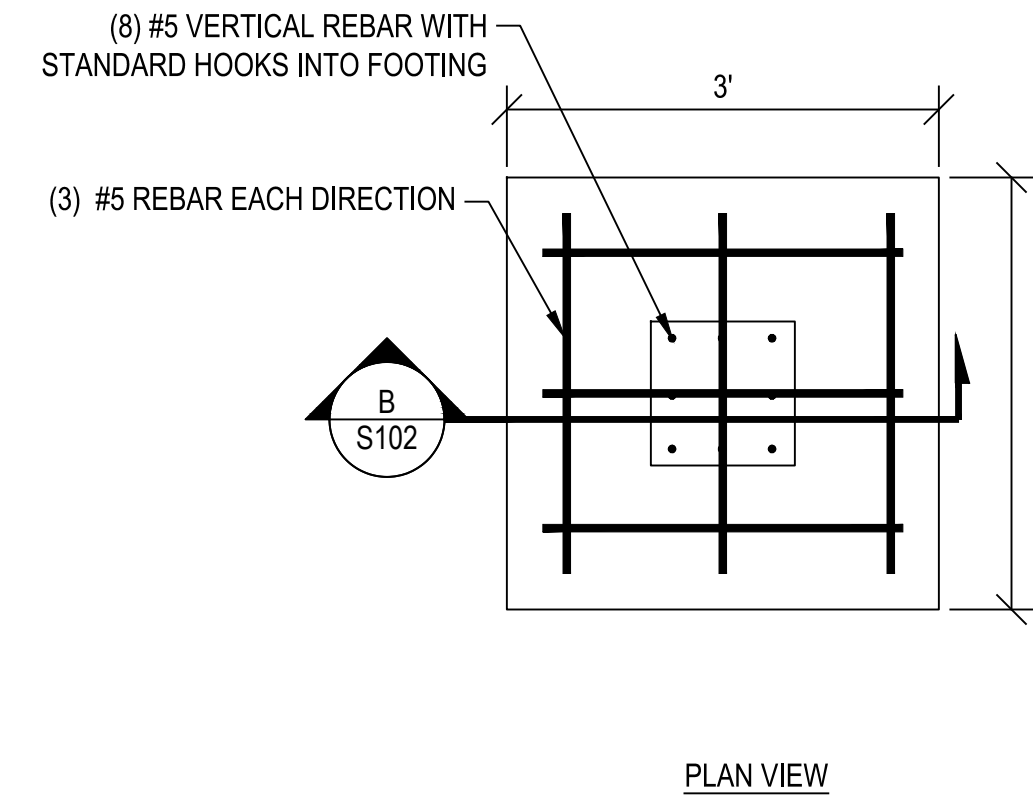
CRS ENGINEERS
Answers to Infrastructure®
PO Box 1485 | 2028 W 500 N | Vernal, UT 84078 | P: 435.781.2550 | www.crsengineers.com

IF THE SCALE BAR AT LEFT DOES NOT MEASURE 1" IN LENGTH, DO NOT USE. THE INFORMATION CONTAINED IN THIS DRAWING IS THE PROPERTY OF CRS ENGINEERS AND IS NOT TO BE REPRODUCED, COPIED, OR TRANSMITTED IN ANY FORM OR BY ANY MEANS, ELECTRONIC OR MECHANICAL, INCLUDING PHOTOCOPYING, RECORDING, OR BY ANY INFORMATION STORAGE AND RETRIEVAL SYSTEM, WITHOUT THE WRITTEN PERMISSION OF CRS ENGINEERS. PROJECT ENGINEER: G. NELSON. PROJECT CHECKER: C. NEBEKER.

PROJECT NUMBER 2021-0176		PROJECT NAME SNOWBASIN RESORT SNOWBASIN-GLAMPING FOOTING COLUMN DETAILS	
SHEET 2	OF 8	SHEET NUMBER S101	



1 **2X2 FOOTING AND COLUMN**
S102 SCALE: 3/4" = 1'-0"



2 **3X3 FOOTING AND COLUMN**
S102 SCALE: 3/4" = 1'-0"

NOTE:
HEIGHT FROM FG TO TOP OF COLUMN WILL VARY.
CONTRACTOR TO ADJUST HEIGHT OF DECK
COLUMNS TO MATCH DECK FLOOR TO YURT
FLOOR.

Preliminary
Not For Construction
09/23/2021 3:49:07 PM

REV#	BY	DATE	DESCRIPTION

PROJECT MANAGER G. NELSON	CHECKED BY C. NEBEKER	DRAWN BY S. NEDELKOV	ISSUE DATE 09-21-2021
------------------------------	--------------------------	-------------------------	--------------------------

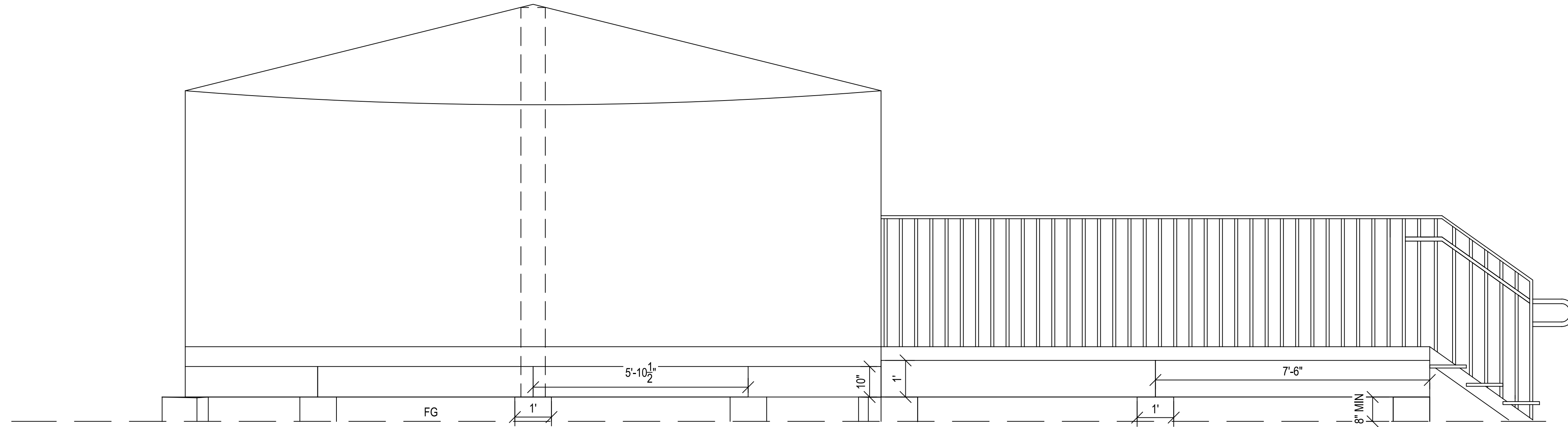
CRS ENGINEERS
Answers to Infrastructure®

PO Box 1485 | 2028 W 500 N | Vernal, UT 84078 | P: 435.781.2550 | www.crsengineers.com

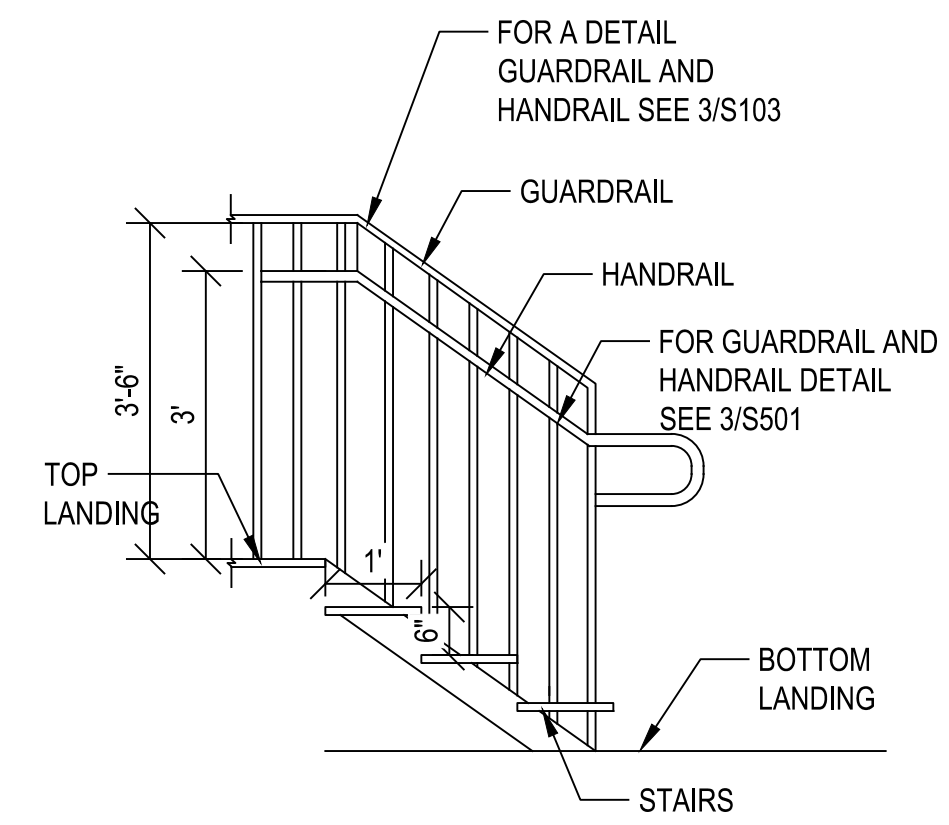
IF THE SCALE BAR AT LEFT DOES NOT MEASURE "INCH IN LENGTH, DO NOT USE" THE INFORMATION CONTAINED IN THIS DRAWING IS THE PROPERTY OF CRS ENGINEERS AND IS NOT TO BE REPRODUCED, COPIED, OR TRANSMITTED IN ANY FORM OR BY ANY MEANS, WITHOUT THE WRITTEN PERMISSION OF CRS ENGINEERS. PROJECT ENGINEER: G. NELSON. PROJECT CHECKER: C. NEBEKER. PROJECT MANAGER: G. NELSON.

SNOWBASIN RESORT
SNOWBASIN-GLAMPING
FOOTING AND COLUMN DETAILS

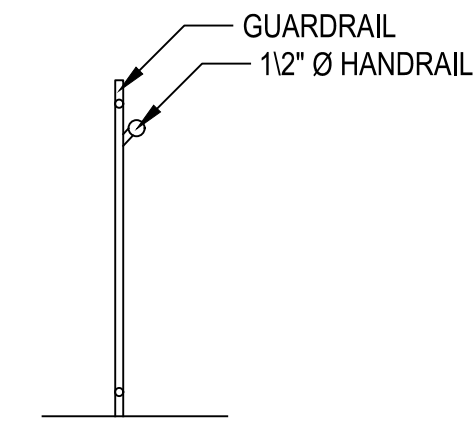
PROJECT NUMBER 2021-0176	SHEET OF 3 OF 8	SHEET NUMBER S102
-----------------------------	--------------------	-----------------------------



1 SIDE ELEVATION
S103 SCALE: 1/2" = 1'-0"



2 GUARDRAIL
S103 SCALE: 1/2" = 1'-0"



3 STAIR SECTION
S103 SCALE: 1/2" = 1'-0"

Preliminary
Not For Construction

09/23/2021 3:49:11 PM

REV#	BY	DATE	DESCRIPTION

PROJECT MANAGER G. NELSON	CHECKED BY C. NEBEKER	DRAWN BY S. NEDELKOV	ISSUE DATE 09-21-2021
------------------------------	--------------------------	-------------------------	--------------------------

CRS ENGINEERS
Answers to Infrastructure®

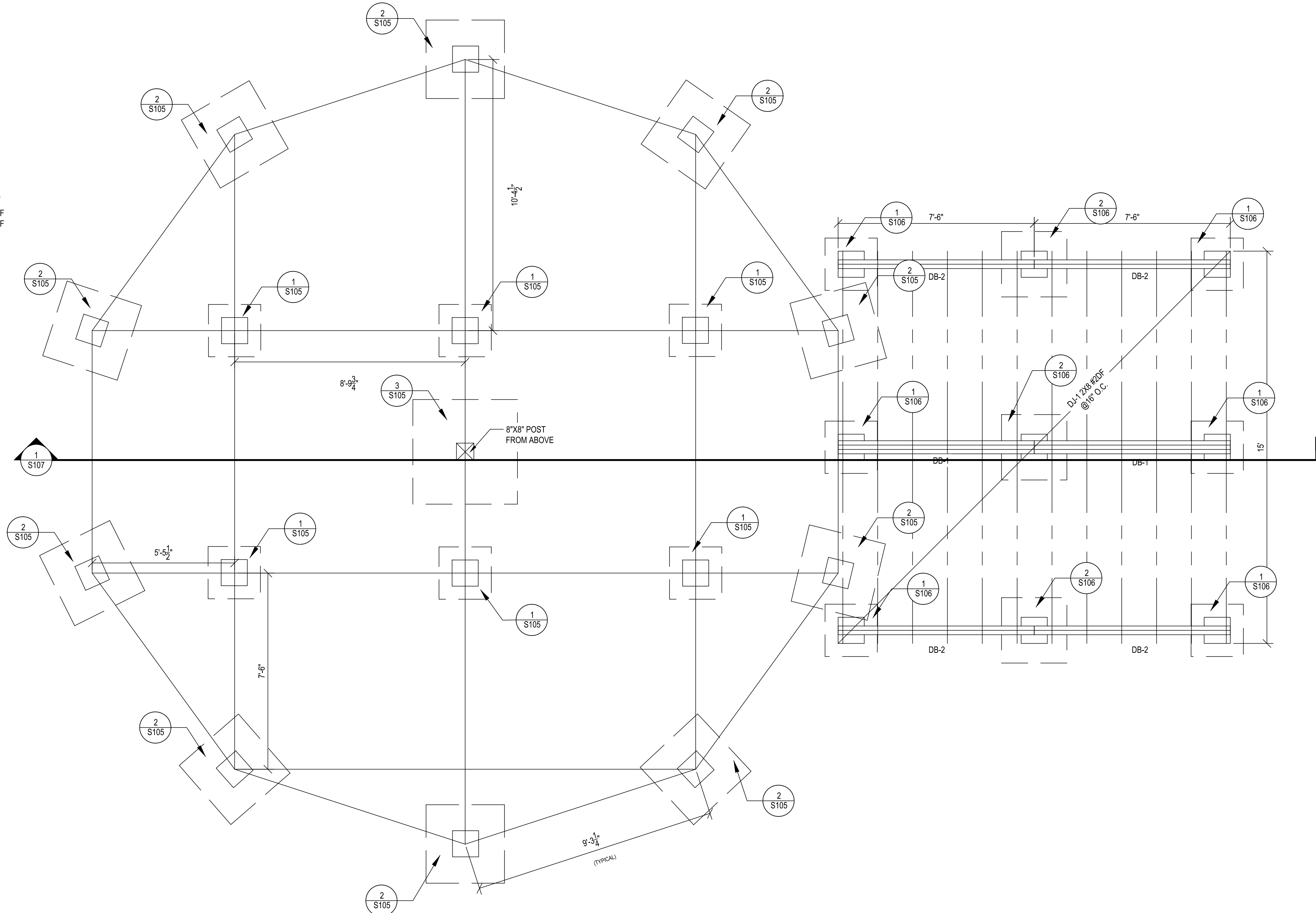
PO Box 1485 | 2028 W 500 N | Vernal, UT 84078 | P: 435.781.2550 | www.crsengineers.com

IF THE SCALE BAR AT LEFT DOES NOT MEASURE "INCH IN LENGTH, DO NOT USE". THE INFORMATION CONTAINED IN THIS DRAWING IS THE PROPERTY OF CRS ENGINEERS AND IS NOT TO BE REPRODUCED, COPIED, OR TRANSMITTED IN ANY FORM OR BY ANY MEANS, WITHOUT THE WRITTEN PERMISSION OF CRS ENGINEERS. PROJECTS SUBJECT TO AGREEMENT WITH CRS ENGINEERS.

SNOWBASIN RESORT
SNOWBASIN-GLAMPING
SIDE ELEVATION

PROJECT NUMBER 2021-0176	SHEET OF 4 OF 8	SHEET NUMBER S103
-----------------------------	--------------------	-----------------------------

BEAM SCHEDULE
 DB-1 (3) 2X12 #2DF
 DB-2 (2) 2X12 #2DF



1 30'Ø YURT FOOTING AND FOUNDATION PLAN
 S104 SCALE: 1/2" = 1'-0"

Preliminary
 Not For Construction
 09/23/2021 3:49:15 PM

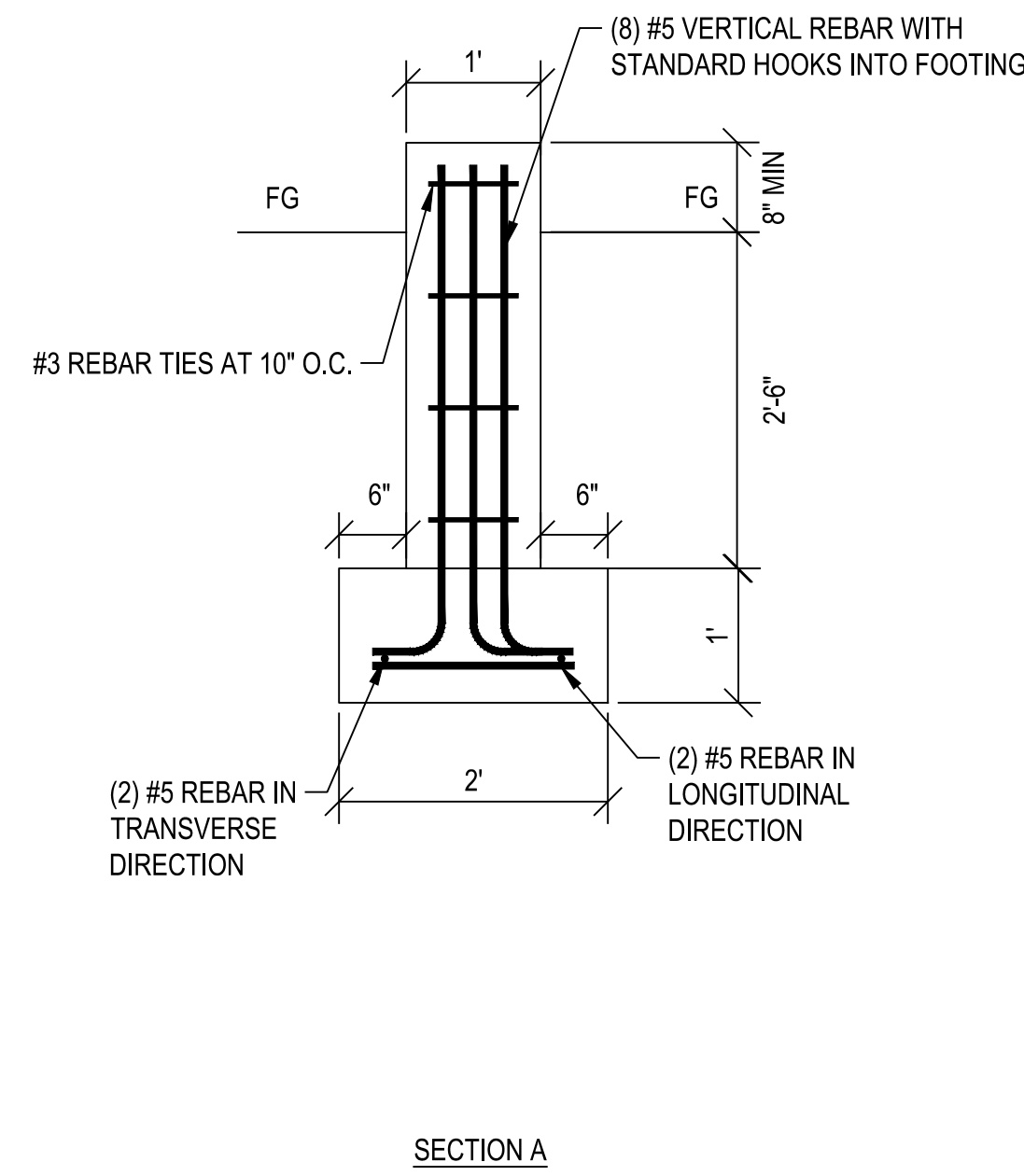
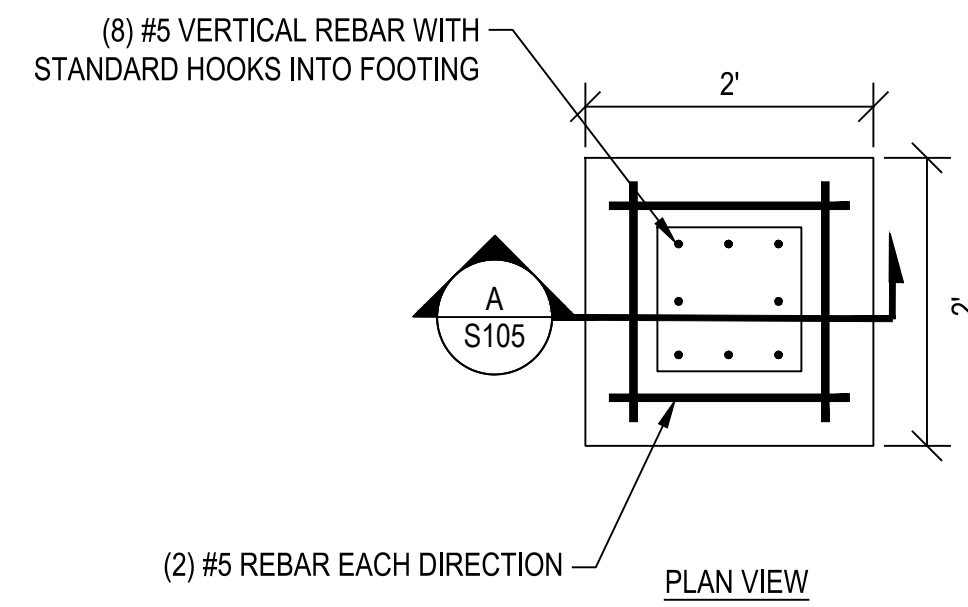
REV#	BY	DATE	DESCRIPTION

PROJECT MANAGER G. NELSON	CHECKED BY C. NEBEKER	DRAWN BY S. NEDELKOV	ISSUE DATE 09-21-2021
------------------------------	--------------------------	-------------------------	--------------------------

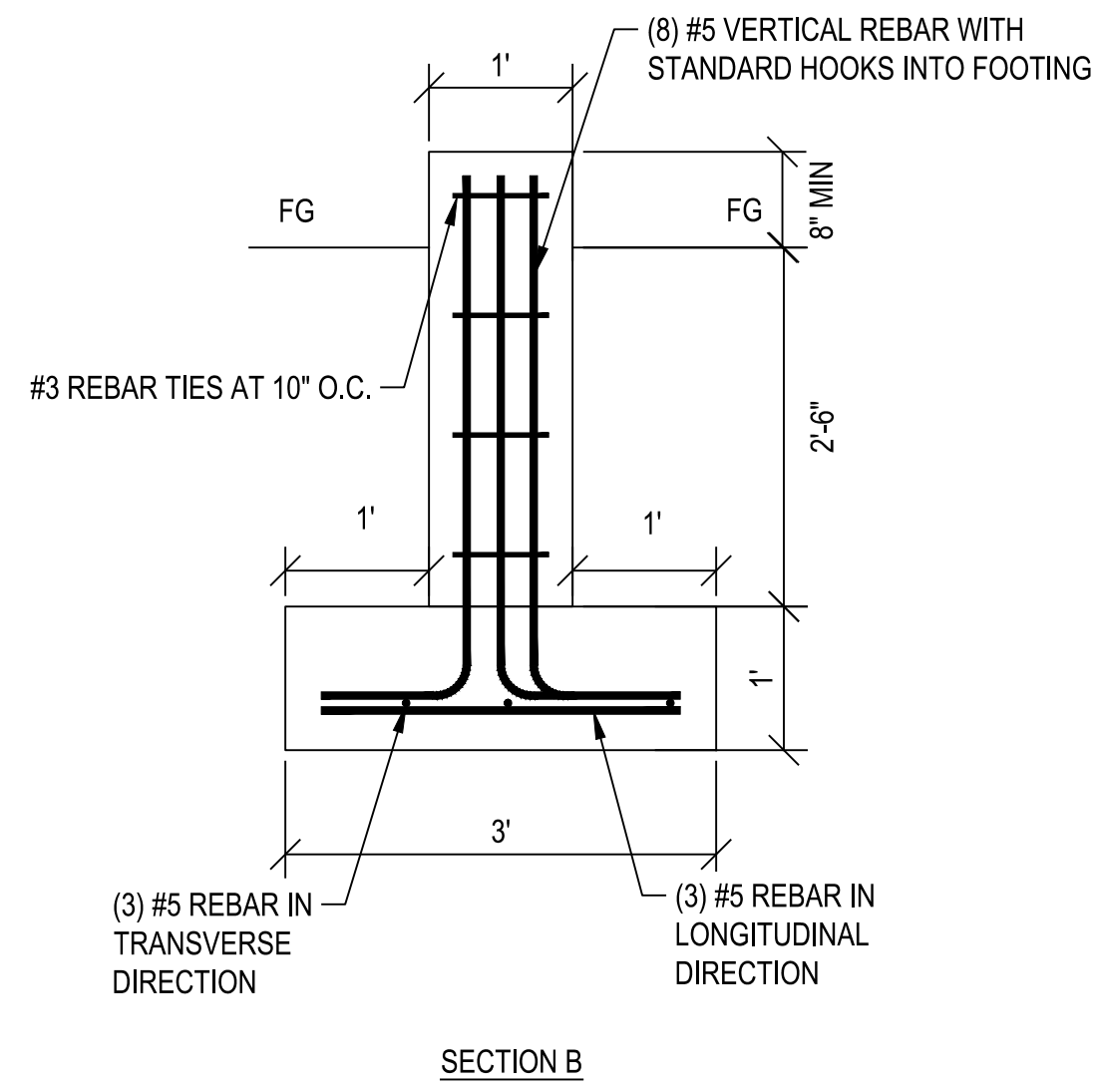
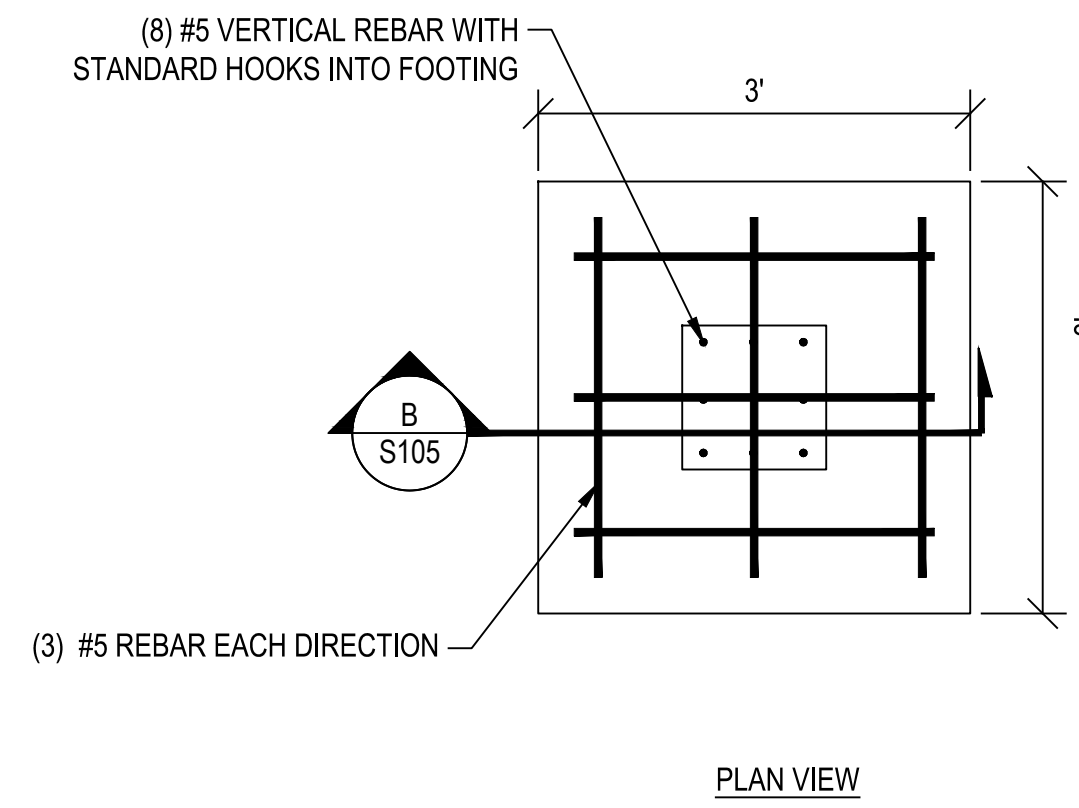
CRS ENGINEERS
 Answers to Infrastructure®
 PO Box 1485 | 2028 W 500 N | Vernal, UT 84078 | P: 435.781.2550 | www.crsengineers.com

IF THE SCALE BAR AT LEFT DOES NOT MEASURE "INCH IN LENGTH, DO NOT USE. THE INFORMATION CONTAINED IN THIS DRAWING IS THE PROPERTY OF CRS ENGINEERS AND IS TO BE USED ONLY FOR THE PROJECT AND SITE SPECIFICALLY IDENTIFIED HEREIN. ANY REUSE OR EXTENSION OF THIS PROJECT EXCEPT AS AGREED WITH CRS ENGINEERS, WILL BE AT THE USER'S SOLE RISK AND WITHOUT LIABILITY TO CRS ENGINEERS.

PROJECT NUMBER 2021-0176		PROJECT TITLE SNOWBASIN RESORT SNOWBASIN-GLAMPING FRAMING PLAN	
SHEET 5	OF 8	SHEET NUMBER S104	

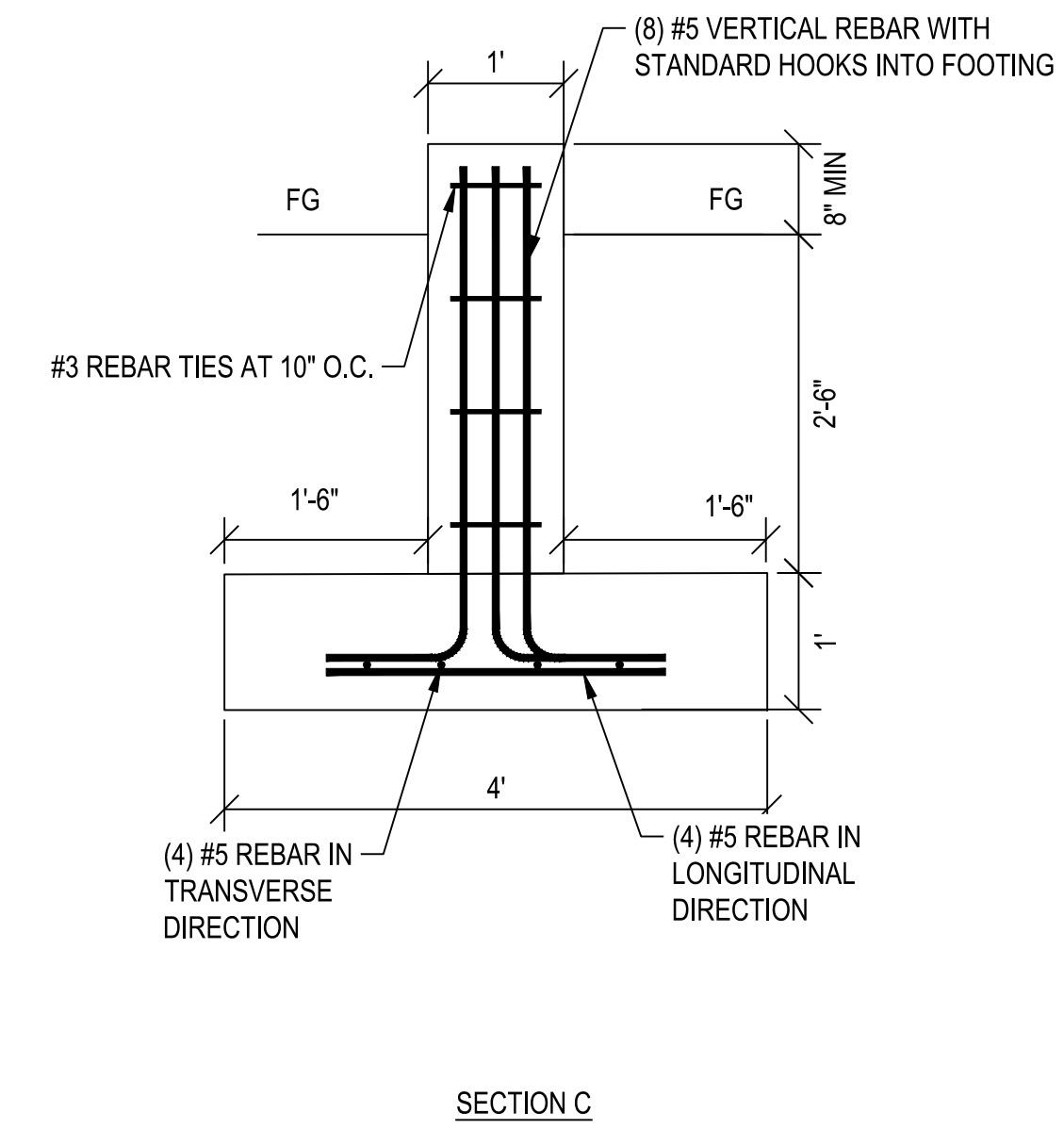
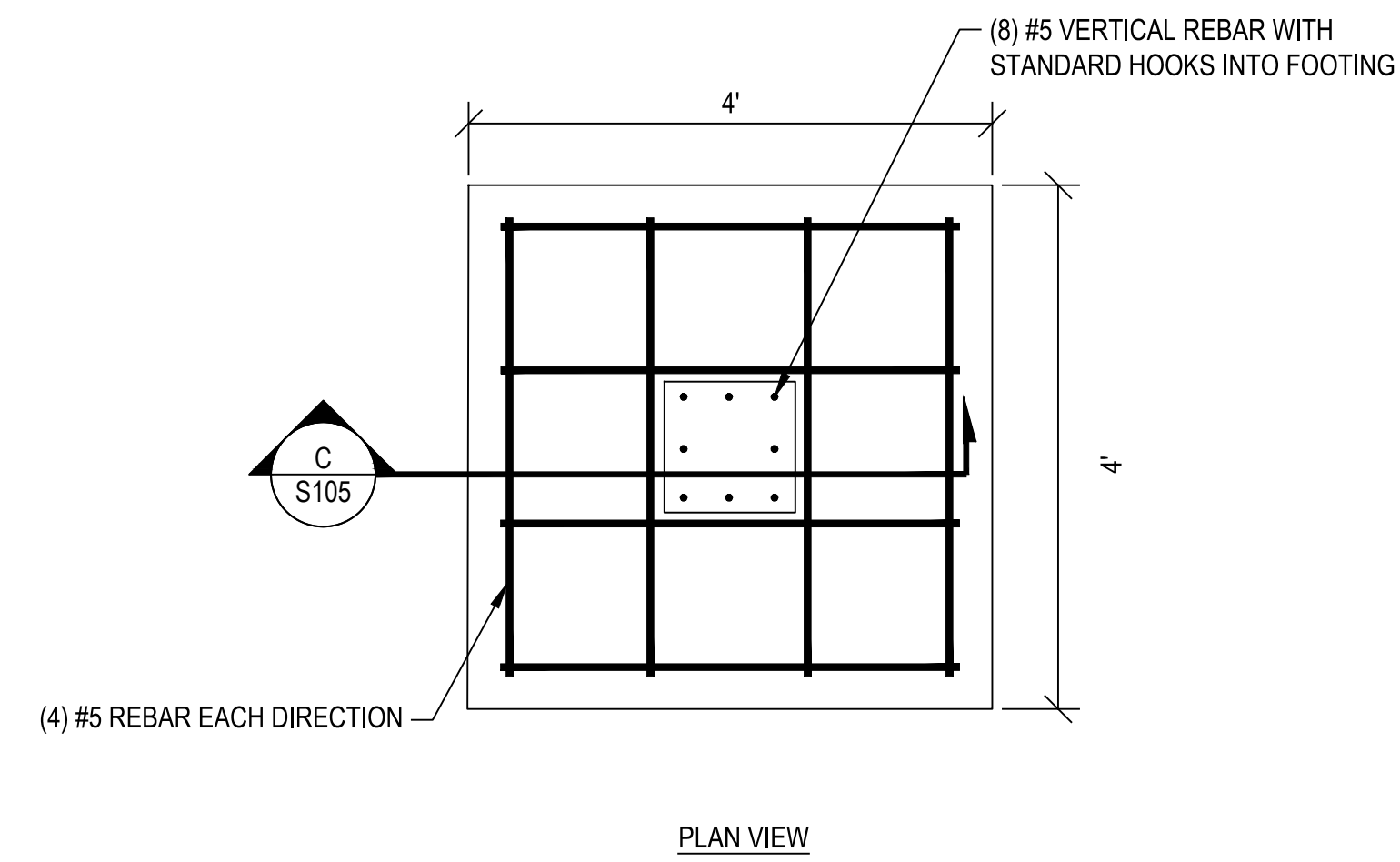


1
S105 **2X2 FOOTING AND COLUMN**
SCALE: 3/4" = 1'-0"



2
S105 **3X3 FOOTING AND COLUMN**
SCALE: 3/4" = 1'-0"

NOTE:
HEIGHT FROM FG TO TOP OF COLUMN WILL VARY.
CONTRACTOR TO ADJUST HEIGHT OF DECK
COLUMNS TO MATCH DECK FLOOR TO YURT
FLOOR.



3
S105 **4X4 FOOTING AND COLUMN**
SCALE: 3/4" = 1'-0"

Preliminary
Not For Construction
09/23/2021 3:49:20 PM

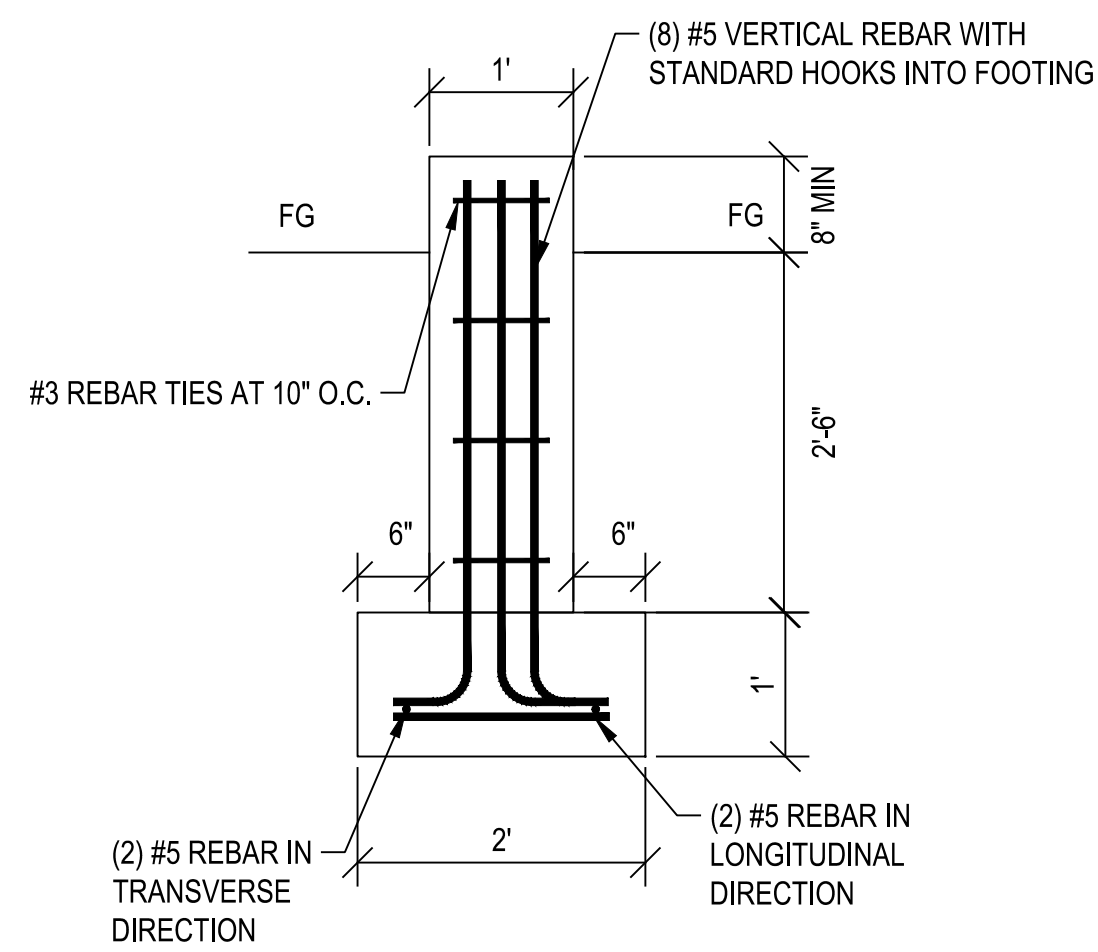
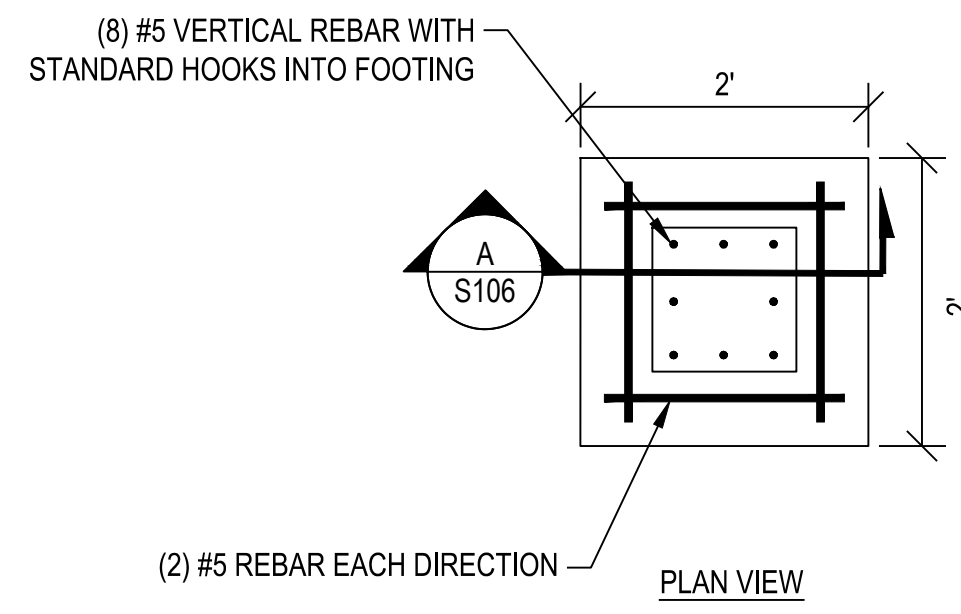
REV#	BY	DATE	DESCRIPTION

PROJECT MANAGER G. NELSON	CHECKED BY C. NEBEKER	DRAWN BY S. NEDELKOV	ISSUE DATE 09-21-2021
------------------------------	--------------------------	-------------------------	--------------------------

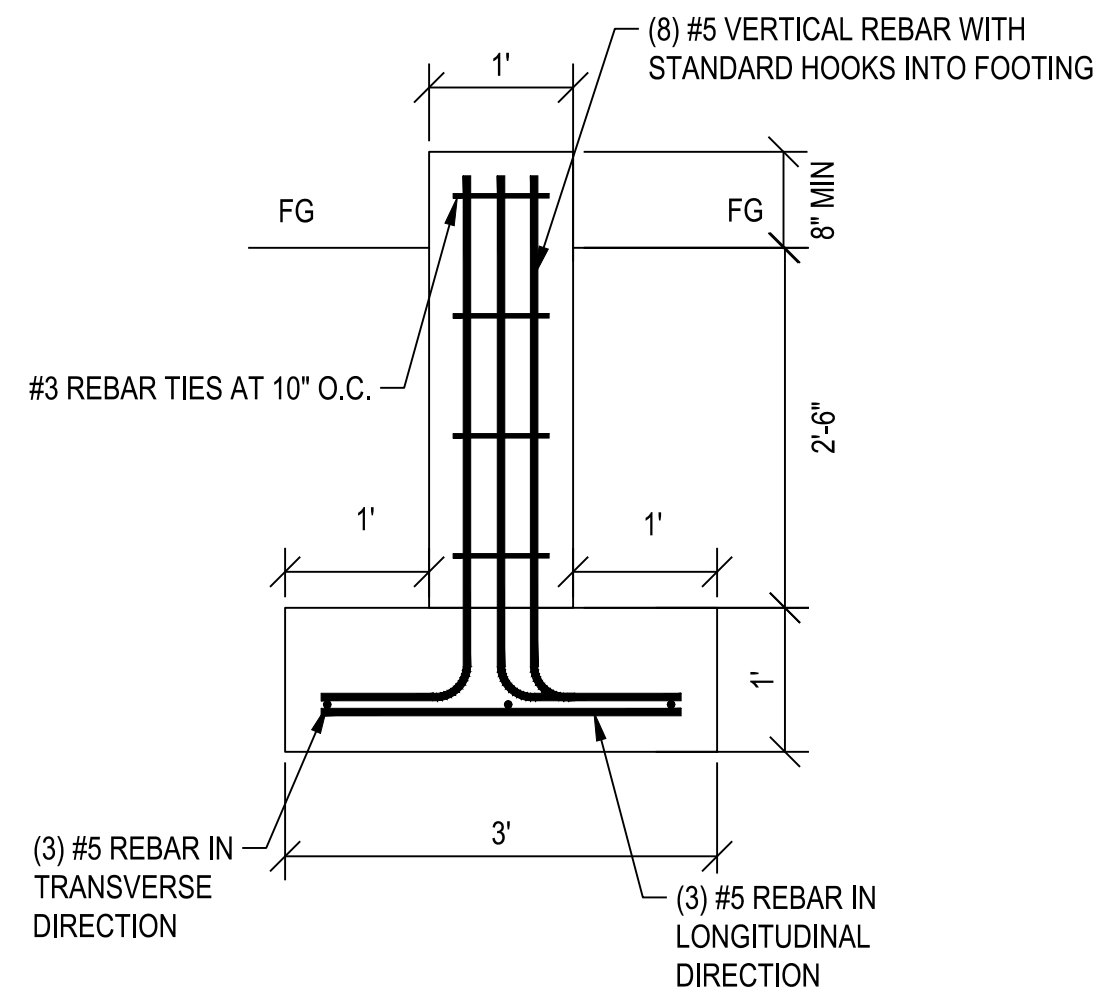
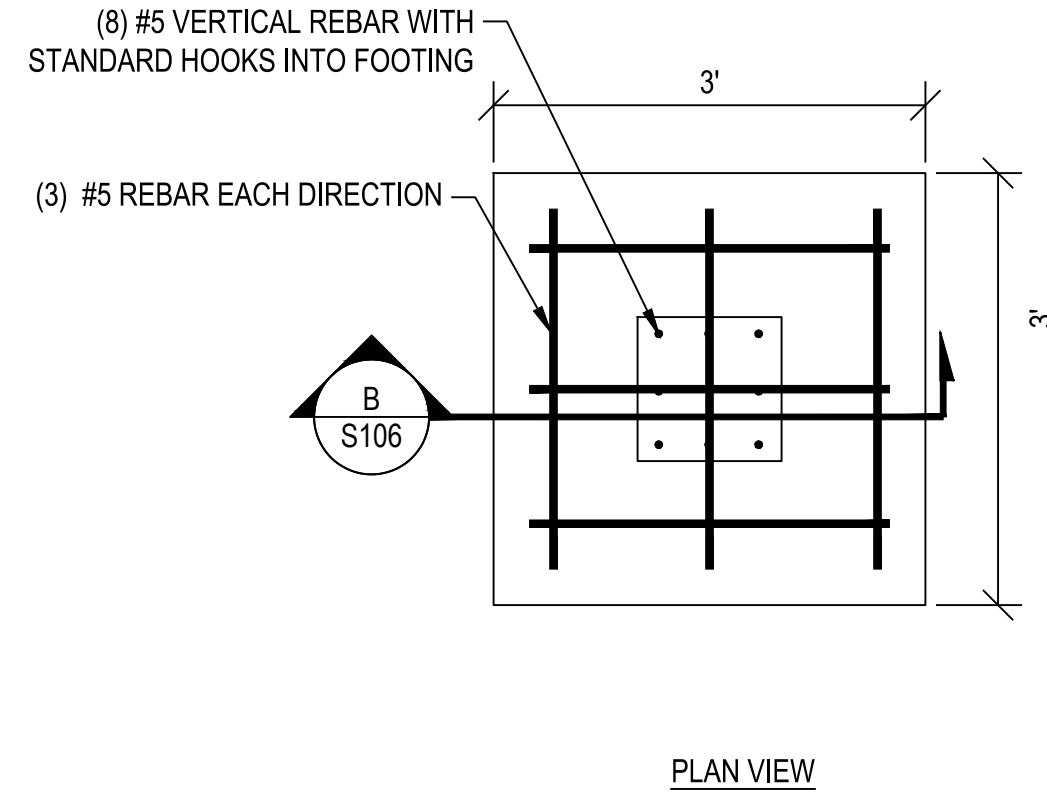
CRS ENGINEERS
Answers to Infrastructure®
PO Box 1485 | 2028 W 500 N | Vernal, UT 84078 | P: 435.781.2550 | www.crsengineers.com

IF THE SCALE BAR AT LEFT DOES NOT MEASURE 1 INCH IN LENGTH, DO NOT USE. THE INFORMATION CONTAINED IN THIS DRAWING IS THE PROPERTY OF CRS ENGINEERS AND IS NOT TO BE REPRODUCED, COPIED, OR TRANSMITTED IN ANY FORM OR BY ANY MEANS, WITHOUT THE WRITTEN PERMISSION OF CRS ENGINEERS. PROJECTS SUBJECT TO AGREEMENT WITH CRS ENGINEERS.

PROJECT NUMBER 2021-0176		PROJECT NAME SNOWBASIN-GLAMPING	
SHEET OF 6 8		SHEET NUMBER S105	



1 **2X2 FOOTING AND COLUMN**
S106 SCALE: 3/4" = 1'-0"



2 **3X3 FOOTING AND COLUMN**
S106 SCALE: 3/4" = 1'-0"

NOTE:
HEIGHT FROM FG TO TOP OF COLUMN WILL VARY.
CONTRACTOR TO ADJUST HEIGHT OF DECK
COLUMNS TO MATCH DECK FLOOR TO YURT
FLOOR.

REV.#	BY	DATE	DESCRIPTION

PROJECT MANAGER G. NELSON	CHECKED BY C. NEBEKER	DRAWN BY S. NEDELKOV	ISSUE DATE 09-21-2021
------------------------------	--------------------------	-------------------------	--------------------------

CRS ENGINEERS
Answers to Infrastructure®

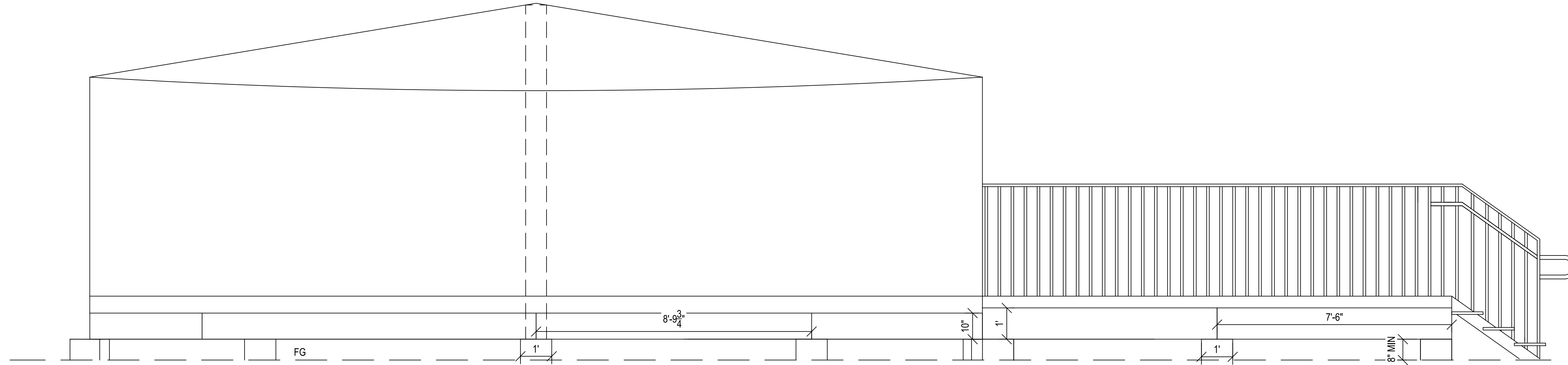
PO Box 1485 | 2028 W 500 N | Vernal, UT 84078 | P: 435.781.2550 | www.crsengineers.com

IF THE SCALE BAR AT LEFT DOES NOT MEASURE "INCH IN LENGTH, DO NOT USE" THE INFORMATION CONTAINED IN THIS DRAWING IS THE PROPERTY OF CRS ENGINEERS AND IS NOT TO BE REPRODUCED, COPIED, OR TRANSMITTED IN ANY FORM OR BY ANY MEANS, ELECTRONIC OR MECHANICAL, INCLUDING PHOTOCOPYING, RECORDING, OR BY ANY INFORMATION STORAGE AND RETRIEVAL SYSTEM, WITHOUT THE WRITTEN PERMISSION OF CRS ENGINEERS. PROJECT ENGINEER: G. NELSON

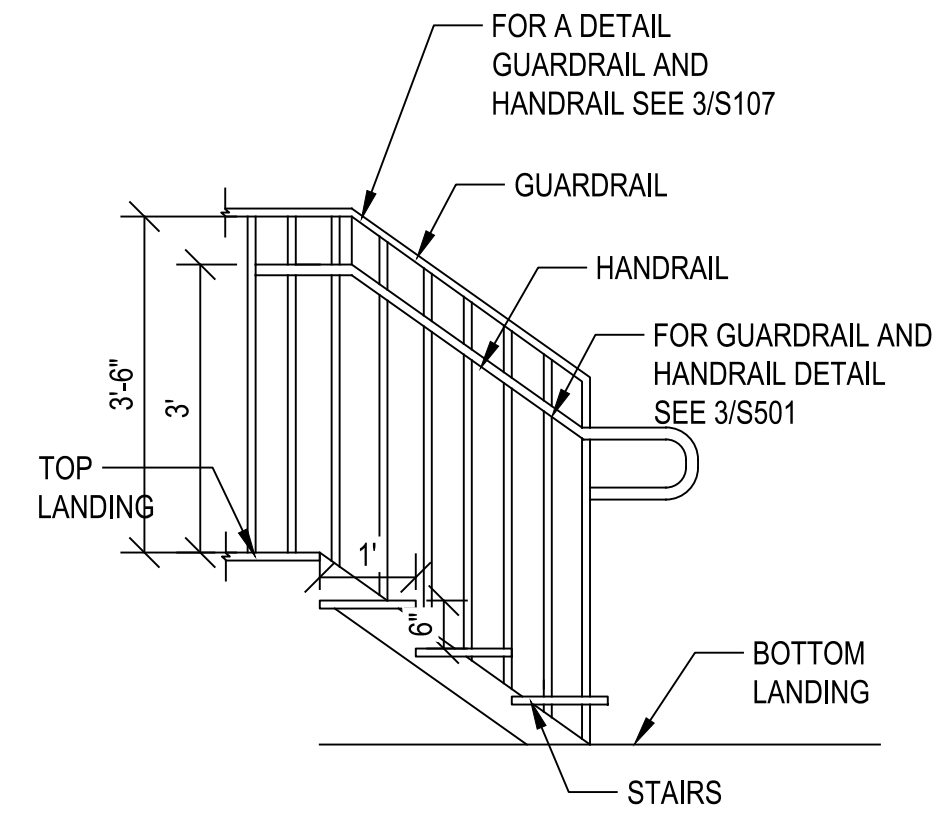
SNOWBASIN RESORT
SNOWBASIN-GLAMPING
FOOTING AND COLUMN DETAILS

PROJECT NUMBER 2021-0176	SHEET OF 7 OF 8	SHEET NUMBER S106
-----------------------------	--------------------	-----------------------------

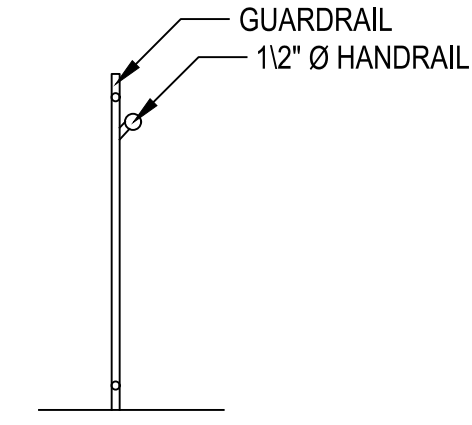
Preliminary
Not For Construction
09/23/2021 3:49:24 PM



1 SIDE ELEVATION
S107 SCALE: 1/2" = 1'-0"



2 GUARDRAIL
S107 SCALE: 1/2" = 1'-0"



3 STAIR SECTION
S107 SCALE: 1/2" = 1'-0"

Preliminary
Not For Construction
09/23/2021 3:49:27 PM

REV#	BY	DATE	DESCRIPTION

PROJECT MANAGER G. NELSON	CHECKED BY C. NEBEKER	DRAWN BY S. NEDELKOV	ISSUE DATE 09-21-2021
------------------------------	--------------------------	-------------------------	--------------------------

CRS ENGINEERS
Answers to Infrastructure®

PO Box 1485 | 2028 W 500 N | Vernal, UT 84078 | P: 435.781.2550 | www.crsengineers.com

IF THE SCALE BAR AT LEFT DOES NOT MEASURE 1" IN LENGTH, DO NOT USE THIS DRAWING FOR CONSTRUCTION. ALL DIMENSIONS SHOWN IN THIS DRAWING ARE TO BE MEASURED FROM THE CENTERLINE UNLESS OTHERWISE SPECIFIED IN THE DRAWING. MAKE PRECEDENCE TO SCALE DIMENSIONS.

SNOWBASIN RESORT
SNOWBASIN-GLAMPING
SIDE ELEVATION

PROJECT NUMBER 2021-0176	SHEET OF 8 8	SHEET NUMBER S107
-----------------------------	-----------------	-----------------------------