

Philip Castiglia: Owner
 phone: (818) 535-0848
 email: aliskurt@yahoo.com

CASTIGLIA PROPERTY
 4770 EAST 2650 NORTH • EDEN UTAH, 84310
LANDSCAPE PLANTING PLAN

Date: 5/26/21

Scale: 1/8" = 1'

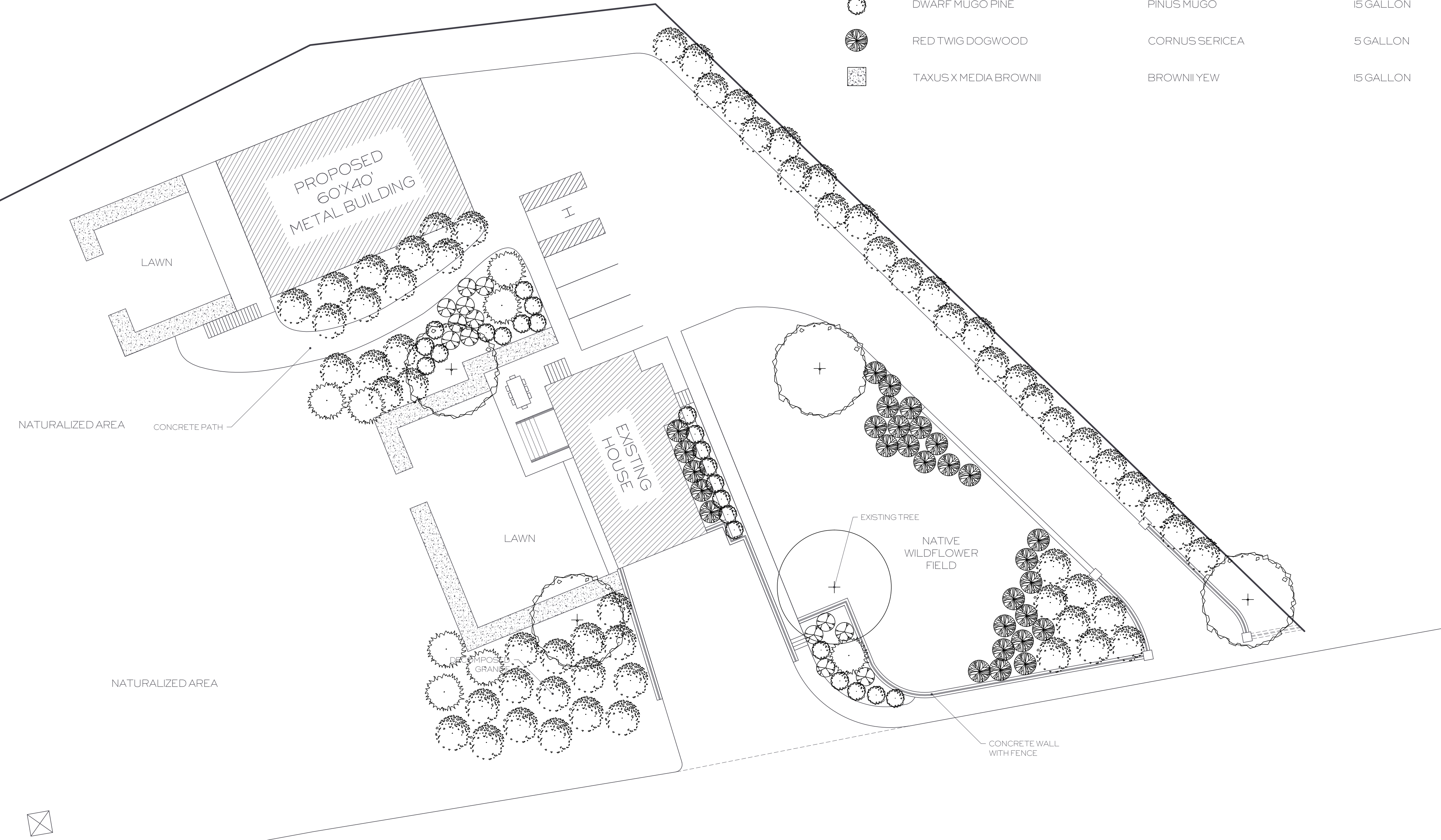
L1

TREE LEGEND

	ACER PLATINOIDES 'CRIMSON KING'	CRIMSON KING NORWAY MAPLE	36" BOX
	PICEA PUNGENS	COLORADO SPRUCE	36" BOX
	PHYSOCARPUS OPULIFOLIUS 'DIABOLO'	DIABOLO NINEBARK	15 GALLON
	POPULUS TREMULOIDES	QUAKING ASPEN	VARIES
	DWARF MUGO PINE	PINUS MUGO	15 GALLON
	RED TWIG DOGWOOD	CORNUS SERICEA	5 GALLON
	TAXUS X MEDIA BROWNII	BROWNII YEW	15 GALLON

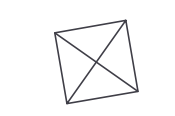


NATURALIZED AREA



NATURALIZED AREA

NATURALIZED AREA



Terra Form Inc.

Philip Castiglia: Owner
phone: (818) 535-0848
email: aliskurt@yahoo.com

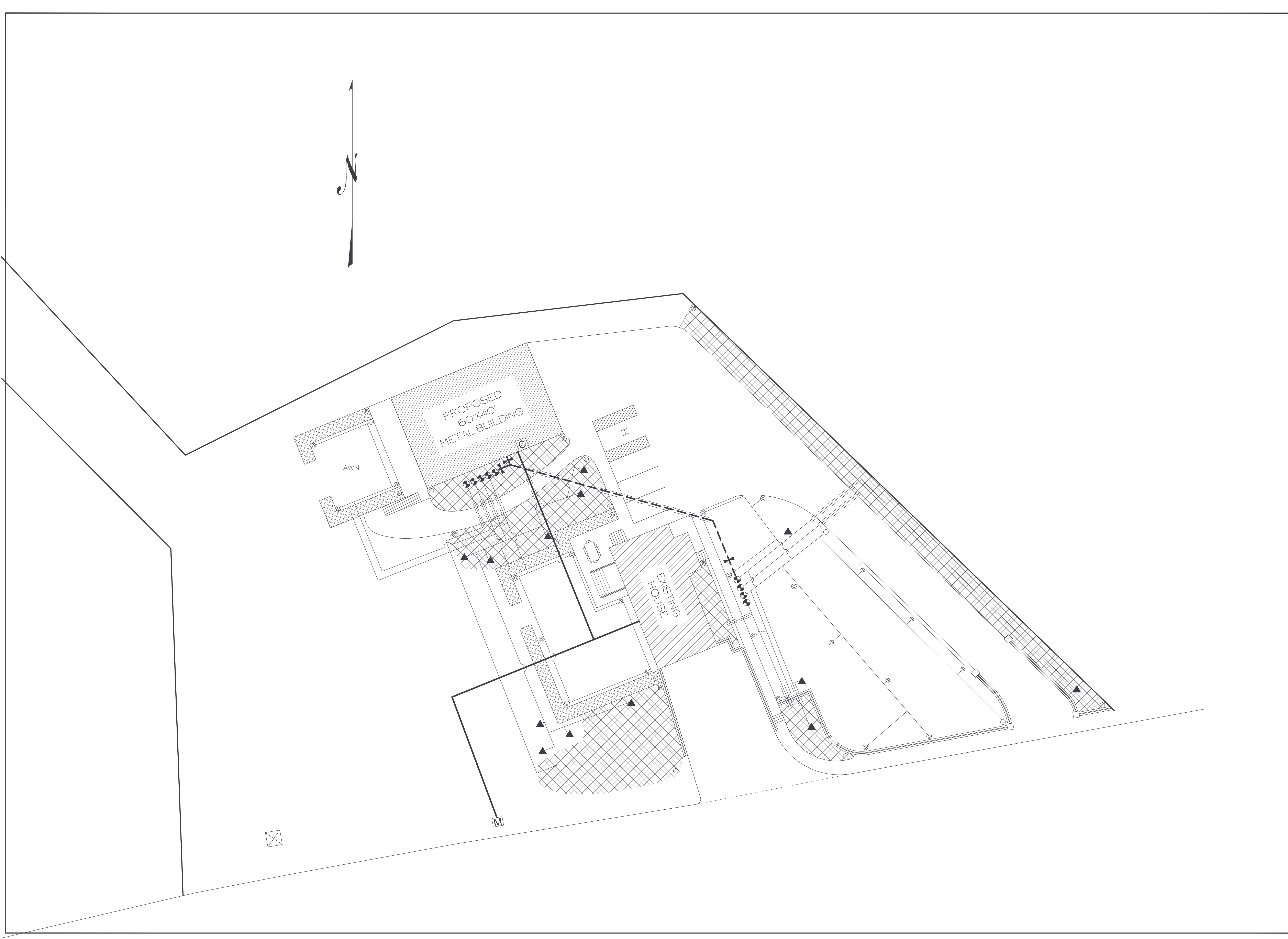
CASTIGLIA PROPERTY
4770 EAST 2650 NORTH • EDEN UTAH, 84310

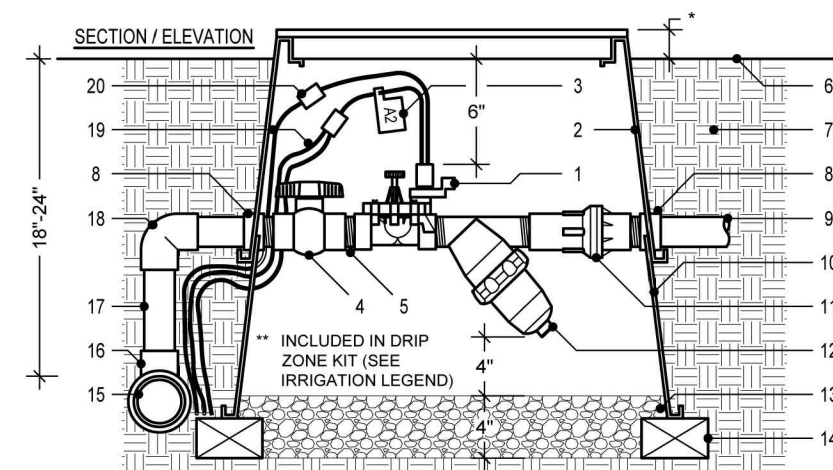
IRRIGATION PLAN PLAN

Date: 5/26/21

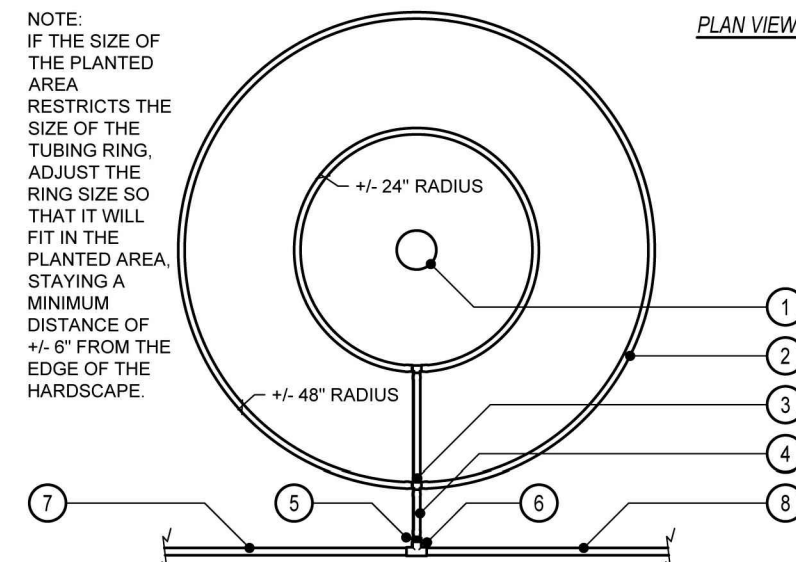
Scale: 1/8" = 1'

L2

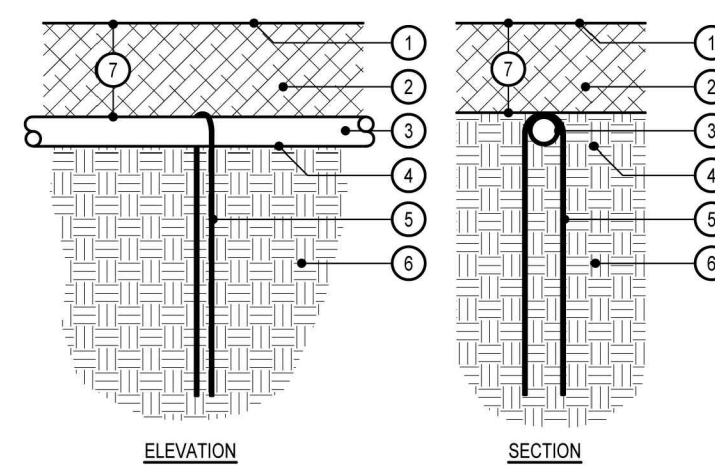




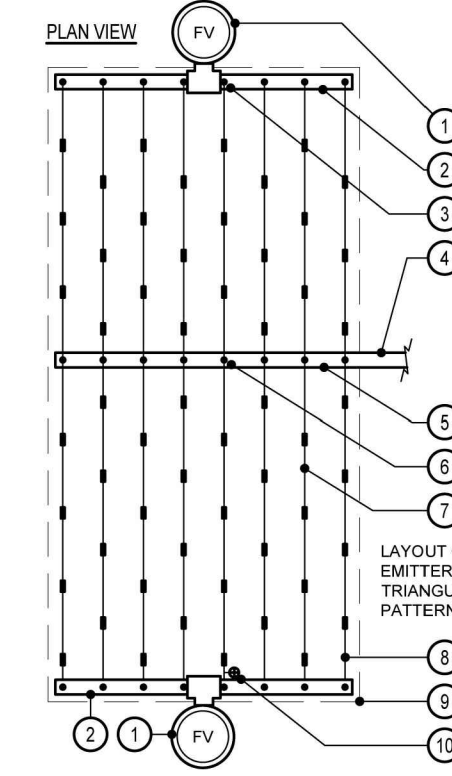
- REMOTE CONTROL VALVE
- RECTANGULAR JUMBO PLASTIC VALVE BOX WITH LOCKING LID (NDS #318CB) HEAT BRAND STATION NUMBER AND "DZ" ON LID IN 2" HIGH BLOCK LETTERS
- ID, TAG WITH STATION NUMBER PRINTED ON IT (CHRISTY'S 10-STD-Y)
- SCH 40 PVC BALL VALVE
- SCH 80 PVC CLOSE NIPPLE
- FINISH GRADE
- SCH 40 PVC MALE ADAPTER
- PVC PIPING TO SYSTEM (CONNECT AND ADAPT AS NECESSARY)
- RECTANGULAR PLASTIC VALVE BOX USED AS EXTENSION (NDS #118)
- PRESSURE REGULATOR
- Y-FILTER
- FILL BASE OF BOX WITH PEA GRAVEL
- COMMON BRICK SUPPORTS (4 REQUIRED)
- SCH 40 PVC MAINLINE PIPING PER IRRIGATION LEGEND (PLAN SIZE)
- SCH 40 PVC MALE FITTING WITH 1" OUTLET
- 1" SCH 40 PVC ELL
- #14 UF WIRES TO CONTROLLER (COLOR CODED)
- WATERPROOF WIRE CONNECTOR (2 REQUIRED)
- RECTANGULAR PLASTIC VALVE BOX USED AS EXTENSION (NDS #118)
- 3" IN SHRUB AREAS



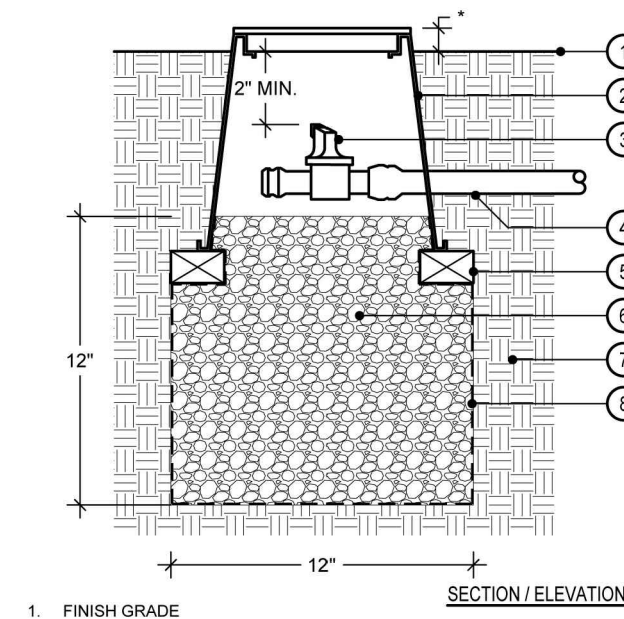
- NOTE: IF THE SIZE OF THE PLANTED AREA RESTRICTS THE SIZE OF THE TUBING RING, ADJUST THE RING SIZE SO THAT IT WILL FIT IN THE PLANTED AREA. STAYING A MINIMUM DISTANCE OF +/- 6" FROM THE EDGE OF THE HARDSCAPE.
- TREE PER PLANTING PLAN
 - +/- 4 x 8" DIAMETER RING OF NETAFIM TLOV TECHLINE PER IRRIGATION LEGEND - CENTER AROUND TREE TRUNK
 - NETAFIM INSERT TEE - MODEL TLTEE
 - NETAFIM TLOVX BLANK TUBING - LENGTH AS REQUIRED
 - NETAFIM 1/2" MALE ADAPTER - MODEL TLO50A
 - SCH 40 PVC LATERAL LINE FITTING WITH 1/2" NPT FEMALE OUTLET - SIZE AS DETERMINED BY LATERAL LINE PIPE SIZE
 - PVC LATERAL LINE PIPING FROM DRIP ZONE VALVE AND/OR OTHER TREES UP-STREAM ON THE ZONE
 - PVC LATERAL LINE PIPING TO OTHER TREES DOWN-STREAM ON THE ZONE AND/OR TO FLUSH VALVE AT END OF LATERAL LINE PIPE RUN



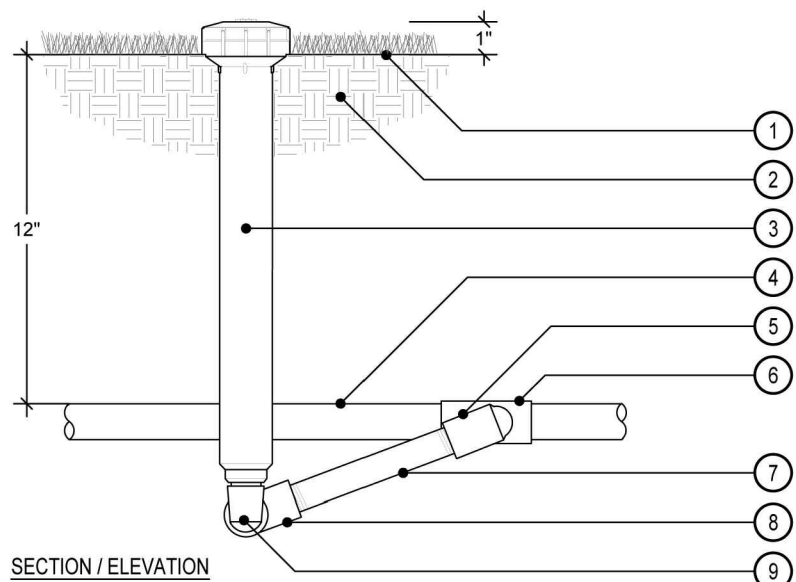
- FINISH GRADE OF MULCH LAYER
 - MULCH TOP DRESSING PER PLANTING PLAN
 - POLY TUBING PER IRRIGATION LEGEND
 - GALVANIZED TIE-DOWN STAKE (RAIN BIRD TDS-500 OR APPROVED EQUAL)
 - FINISH GRADE
 - NATIVE SOIL
 - DEPTH OF MULCH PER PLANTING PLAN OR SPECIFICATIONS
- NOTES:
LOCATE STAPLES ALONG TUBING AT ABOUT 5' O.C. AND TWO STAPLES AT ALL FITTINGS (TEES, ELLS, ETC.) AND CHANGES IN DIRECTION OF TUBING. SCRATCH TUBING INTO SOIL SURFACE SO TOP OF TUBING IS FLUSH WITH FINISH GRADE.



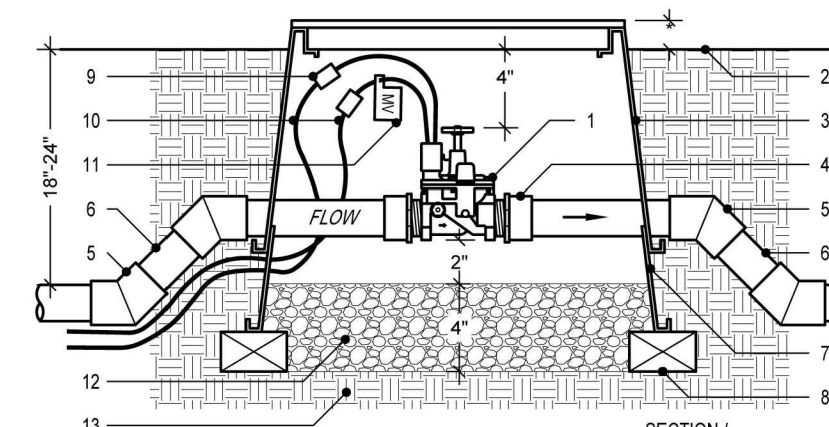
- MANUAL FLUSH VALVE PLUMBED TO FLUSH MAINFOLD AT LOW POINT
 - PVC EXHAUST HEADS PER IRRIGATION LEGEND
 - PVC FLUSH MAINFOLD TO TUBING CONNECTION - TECHLINE MALE ADAPTER
 - PVC LATERAL LINE FROM DRIP ZONE VALVE PER IRRIGATION LEGEND
 - PVC SUPPLY HEADER PER IRRIGATION LEGEND
 - PVC SUPPLY HEADER TO TUBING CONNECTION - TYPICAL TECHLINE CV DRIP LINE TUBING PER IRRIGATION LEGEND
 - PERMETER LATERALS APPROXIMATELY 4" FROM PLANTER EDGE
 - AREA PERIMETER
 - OPERATION INDICATOR
- NOTES:
THE TOTAL LENGTH OF ALL INTERCONNECTED DRIP LINE SHALL NOT EXCEED THE MAXIMUM RUN LENGTH RECOMMENDED BY THE MANUFACTURER. REFER TO THE MANUFACTURER'S INSTALLATION AND INSTALLATION DETAILS FOR THE SYSTEM. QUANTITY AND LOCATION OF ALL FLUSH VALVES AND AIR RELEASE VALVES SHALL MEET THE MANUFACTURER'S GUIDELINES.



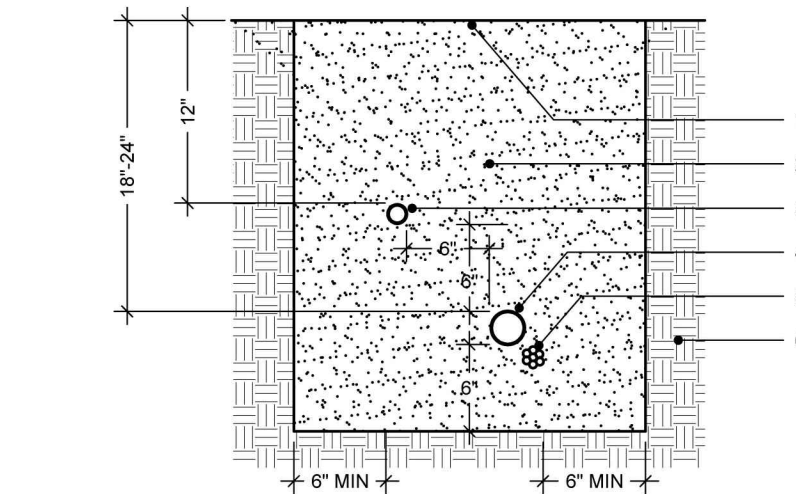
- FINISH GRADE
- 6" ROUND PLASTIC VALVE BOX WITH SNAP-ON LID (NDS #102EB) HEAT BRAND TWE ON LID IN 2" HIGH BLOCK LETTERS
- MANUAL FLUSH VALVE (NETAFIM TLO50V OR APPROVED EQUAL)
- POLY TUBING - DEPTH PER IRRIGATION PLAN
- COMMON BRICK SUPPORTS (2 REQUIRED)
- FILL BASE WITH 1 CUBIC FOOT OF PEA GRAVEL
- NATIVE SOIL
- FILTER FABRIC UNDER / AROUND GRAVEL
- 12" IN TURF AREAS, 2-3" IN SHRUB AREAS



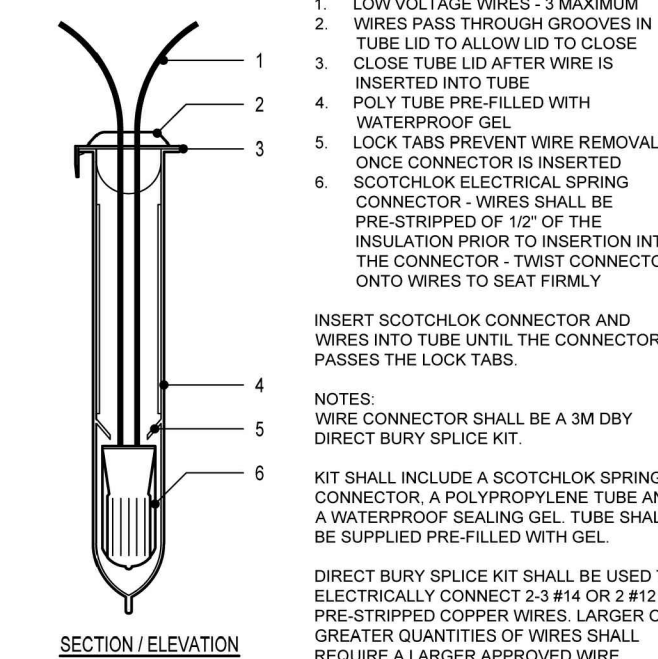
- FINISH GRADE
 - NATIVE SOIL / BACKFILL PER SPECIFICATIONS
 - 12" HI-POP SPRAY HEAD & NOZZLE PER LEGEND
 - LATERAL LINE PIPING PER LEGEND
 - 1/2" MARLEX STREET ELL
 - SCH 40 PVC LATERAL LINE FITTING WITH 1/2" FEMALE THREADED OUTLET
 - 1/2"x1/2" MIN. SCH 80 PVC THREADED NIPPLE
 - 1/2" SCH 40 PVC STREET ELL TXT
 - 1/2" MARLEX STREET ELL
- NOTES:
USE TEFLON TAPE ON ALL PVC TO PVC CONNECTIONS; NO PIPE DOPE ALLOWED. SET PERMETER HEADS 4"-6" FROM CURBS AND WALKS AND 6"-12" FROM VERTICAL OBJECTS SUCH AS FENCES AND WALLS, ETC. ONLY USE BOTTOM INLET OF HEAD.



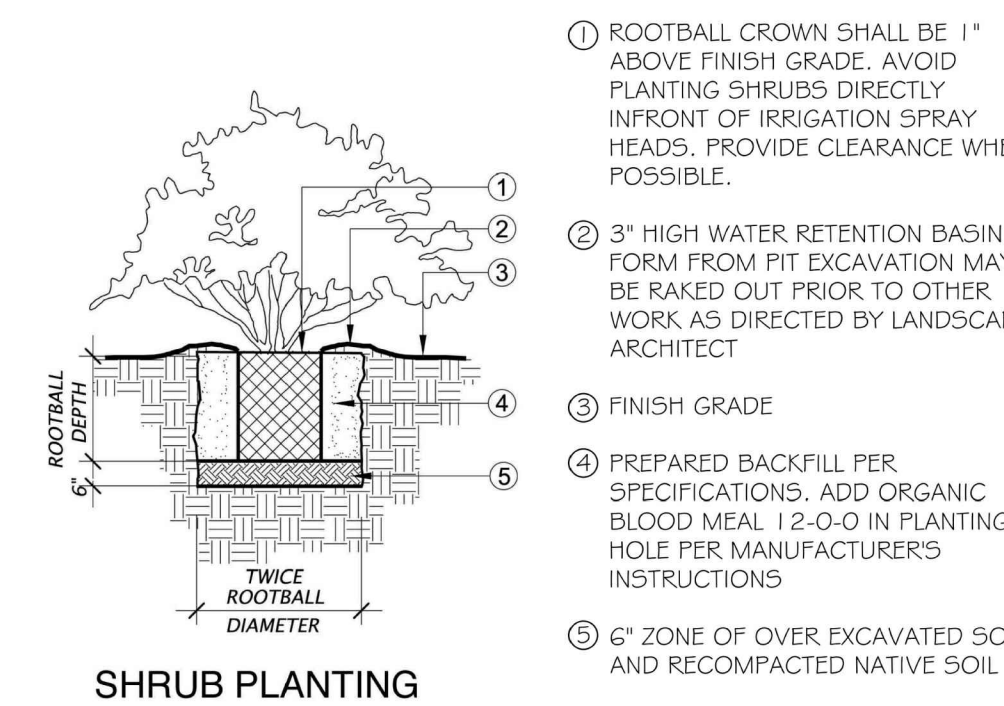
- MASTER VALVE PER IRRIGATION LEGEND
- FINISH GRADE
- RECTANGULAR PLASTIC VALVE BOX WITH LOCKING LID (NDS #3148CB) HEAT BRAND "MV" ON LID IN 2" HIGH BLOCK LETTERS
- SCH 40 PVC MALE ADAPTER (2 REQUIRED) USE REDUCING ADAPTERS WHERE MAINLINE IS LARGER THAN VALVE
- SCH 40 PVC 45 DEGREE ELL (4 REQUIRED)
- MAINLINE PIPING PER IRRIGATION LEGEND (PLAN SIZE)
- RECTANGULAR PLASTIC VALVE BOX EXTENSION (NDS #214-6)
- COMMON BRICK SUPPORTS (4 REQUIRED)
- WATERPROOF WIRE CONNECTORS (2 REQUIRED)
- #14 UF WIRES TO CONTROLLER (COLOR CODE DIFFERENTLY THAN COMMON WIRE, CONTROL WIRES, AND FLOW SENSOR WIRES)
- ID, TAG WITH "MV" PRINTED ON IT (CHRISTY'S 10-STD-Y)
- FILL BASE OF BOX WITH PEA GRAVEL
- NATIVE SOIL
- 3" IN SHRUB AREAS



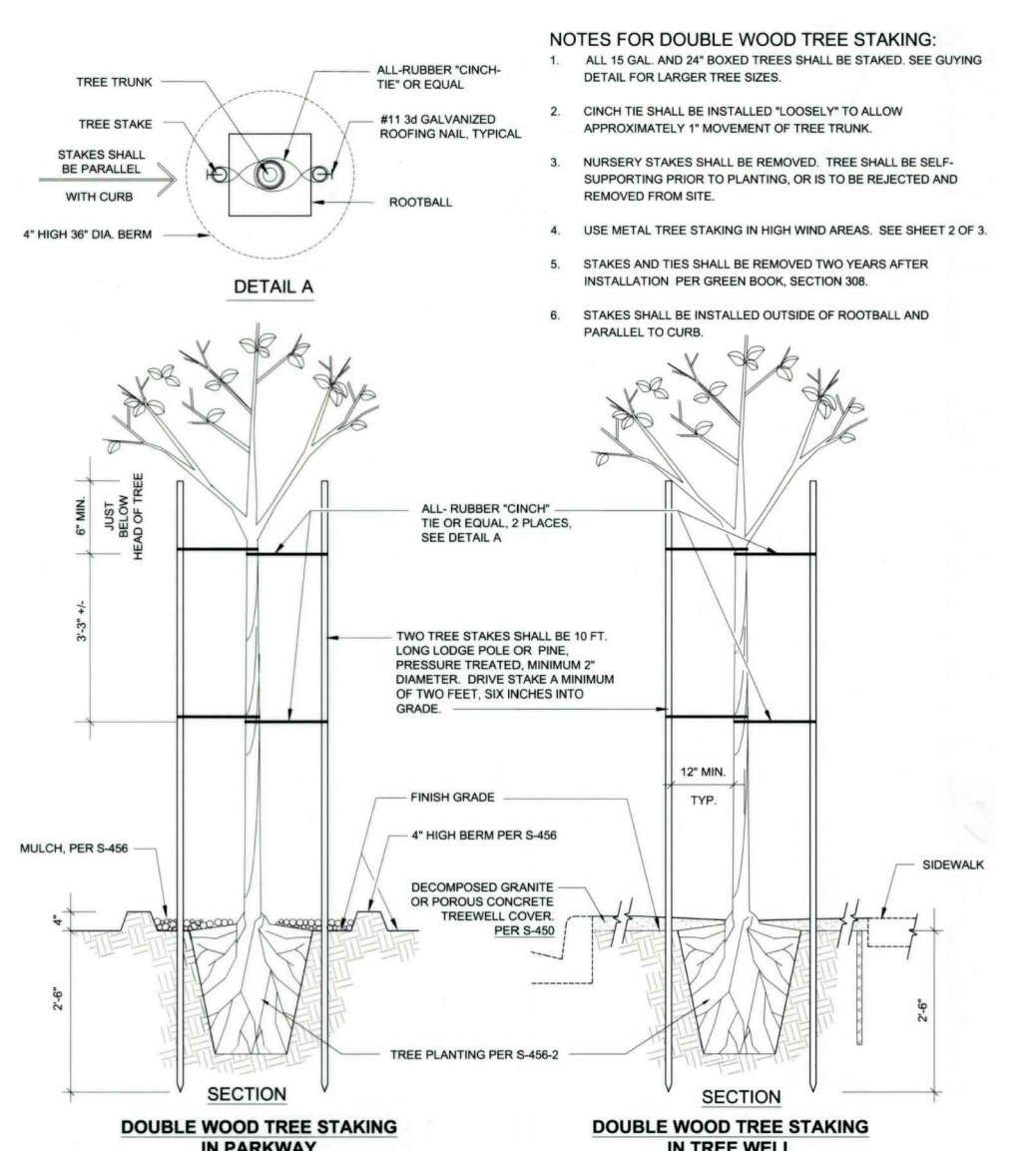
- FINISH GRADE
 - CLEAN BACKFILL WITH ALL ROCKS 1" OR LARGER REMOVED - 80% COMPACTION REQUIRED - SEE SPECS
 - NON-PRESSURE LATERAL LINE PER LEGEND (SNAKE IN TRENCH)
 - PRESSURE MAINLINE PER LEGEND (SNAKE IN TRENCH)
 - CONTROL WIRES - INSTALL BELOW PRESSURE MAINLINE
 - UNDISTURBED NATIVE SOIL
- NOTES:
BUNDLE AND TAPE WIRES AT 18" O.C. PITIAL AND LOOP WIRES AT ALL CHANGES IN DIRECTION. SPLICING OF WIRE RUNS IS NOT PERMITTED WITHOUT APPROVAL FROM OWNER AND LANDSCAPE ARCHITECT. RUN CONTROL WIRES IN SAME TRENCH AS MAINLINE WHERE POSSIBLE. INSTALL 12"x12"x2" CONCRETE THURST BLOCKS AT ALL CHANGES IN DIRECTION OF PRESSURE MAINLINE (45, 90, TEES, ETC.) AND AT ALL TERMINAL POINTS.



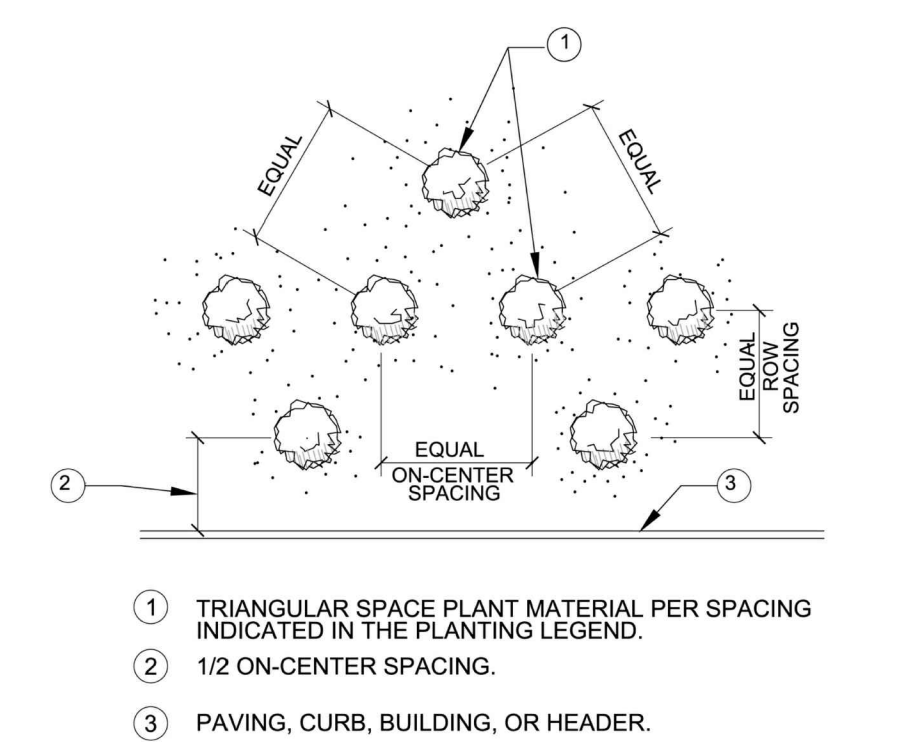
- LOW VOLTAGE WIRES - 3 MAXIMUM
 - WIRES PASS THROUGH GROOVES IN TUBE LID TO ALLOW LID TO CLOSE
 - CLOSE TUBE LID AFTER WIRES IS INSERTED INTO TUBE
 - POLY TUBE PRE-FILLED WITH WATERPROOF GEL
 - LOCK TABS PREVENT WIRE REMOVAL ONCE CONNECTOR IS INSERTED
 - SCOTCHLOK ELECTRICAL SPRING CONNECTOR - WIRES SHALL BE PRE-STRIPPED OF 1/2" OF INSULATION PRIOR TO INSERTION INTO THE CONNECTOR. TWIST CONNECTOR ONTO WIRES TO SEAT FIRMLY.
- NOTES:
INSERT SCOTCHLOK CONNECTOR AND WIRES INTO TUBE UNTIL THE CONNECTOR PASSES THE LOCK TABS.
WIRE CONNECTOR SHALL BE A 3M DBY DIRECT BURY SPLICE KIT.
KIT SHALL INCLUDE A SCOTCHLOK SPRING CONNECTOR, A PVC PROPYLENE TUBE AND A WATERPROOF SEALING GEL. TUBE SHALL BE SUPPLIED PRE-FILLED WITH GEL.
DIRECT BURY SPLICE KIT SHALL BE USED TO ELECTRICALLY CONNECT 2-3 #14 OR 2 #12 PRE-STRIPPED COPPER WIRES. LARGER OR GREATER QUANTITIES OF WIRES SHALL REQUIRE A LARGER APPROVED WIRE CONNECTOR.



- ROOTBALL CROWN SHALL BE 1" ABOVE FINISH GRADE. AVOID PLANTING SHRUBS DIRECTLY IN FRONT OF IRRIGATION SPRAY HEADS. PROVIDE CLEARANCE WHEN POSSIBLE.
- 3" HIGH WATER RETENTION BASIN. FORM FROM PIT EXCAVATION MAY BE RAKED OUT PRIOR TO OTHER WORK AS DIRECTED BY LANDSCAPE ARCHITECT
- FINISH GRADE
- PREPARED BACKFILL PER SPECIFICATIONS. ADD ORGANIC BLOOD MEAL 1 2-0-0 IN PLANTING HOLE PER MANUFACTURER'S INSTRUCTIONS
- 6" ZONE OF OVER EXCAVATED SOIL AND RECOMPACTED NATIVE SOIL



- NOTES FOR DOUBLE WOOD TREE STAKING:
- ALL 1x6 GAL. AND 3/4" BORED TREES SHALL BE STAKED. SEE OUTING DETAIL FOR LARGER TREE SIZES.
 - CROWN SHALL BE INSTALLED "CORRECT" TO ALLOW APPROXIMATELY 1" MOVEMENT OF TREE TRUNK.
 - NURSERY STAKES SHALL BE REMOVED. TREE SHALL BE SELF-SUPPORTING PRIOR TO PLANTING. ON IS TO BE REJECTED AND REMOVED FROM SITE.
 - USE METAL TREE STAKING IN HIGH WIND AREAS. SEE SHEET 2 OF 3.
 - STAKES AND TREE SHALL BE REMOVED TWO YEARS AFTER INSTALLATION. PER GREEN BOOK SECTION 804.
 - STAKES SHALL BE INSTALLED OUTSIDE OF ROOTBALL AND PARALLEL TO CURB.



- TRIANGULAR SPACE PLANT MATERIAL PER SPACING INDICATED IN THE PLANTING LEGEND.
- 1/2 ON-CENTER SPACING.
- PAVING, CURB, BUILDING, OR HEADER.

1 SHRUB PLANTING NOT TO SCALE

2 TREE STAKING NOT TO SCALE

3 SHRUB SPACING NOT TO SCALE