



HIGHLANDS BLUFF ESTATES PHASE 2

2225 EAST 6225 SOUTH
OGDEN, UTAH

**FOR REVIEW
NOT FOR CONSTRUCTION**

DATE PRINTED
May 5, 2021

INDEX OF DRAWINGS

- 1 OF 1 BOUNDARY/TOPOGRAPHY SURVEY
- 1 OF 1 SUBDIVISION PLAT
- C-001 GENERAL NOTES
- C-100 SITE PLAN
- C-200 GRADING AND DRAINAGE PLAN
- C-300 UTILITY PLAN
- C-400 EROSION CONTROL PLAN
- PP-1 6235 SOUTH STREET PLAN AND PROFILE
- C-500 DETAILS

NOTICE TO CONTRACTOR

ALL CONTRACTORS AND SUBCONTRACTORS PERFORMING WORK SHOWN ON OR RELATED TO THESE PLANS SHALL CONDUCT THEIR OPERATIONS SO THAT ALL EMPLOYEES ARE PROVIDED A SAFE PLACE TO WORK AND THE PUBLIC IS PROTECTED. ALL CONTRACTORS AND SUBCONTRACTORS SHALL COMPLY WITH THE OCCUPATIONAL SAFETY AND HEALTH REGULATIONS OF THE U.S. DEPARTMENT OF LABOR AND THE STATE OF UTAH DEPARTMENT OF INDUSTRIAL RELATIONS CONSTRUCTION SAFETY ORDERS. THE CIVIL ENGINEER SHALL NOT BE RESPONSIBLE IN ANY WAY FOR THE CONTRACTORS AND SUBCONTRACTORS COMPLIANCE WITH SAID REGULATIONS AND ORDERS.

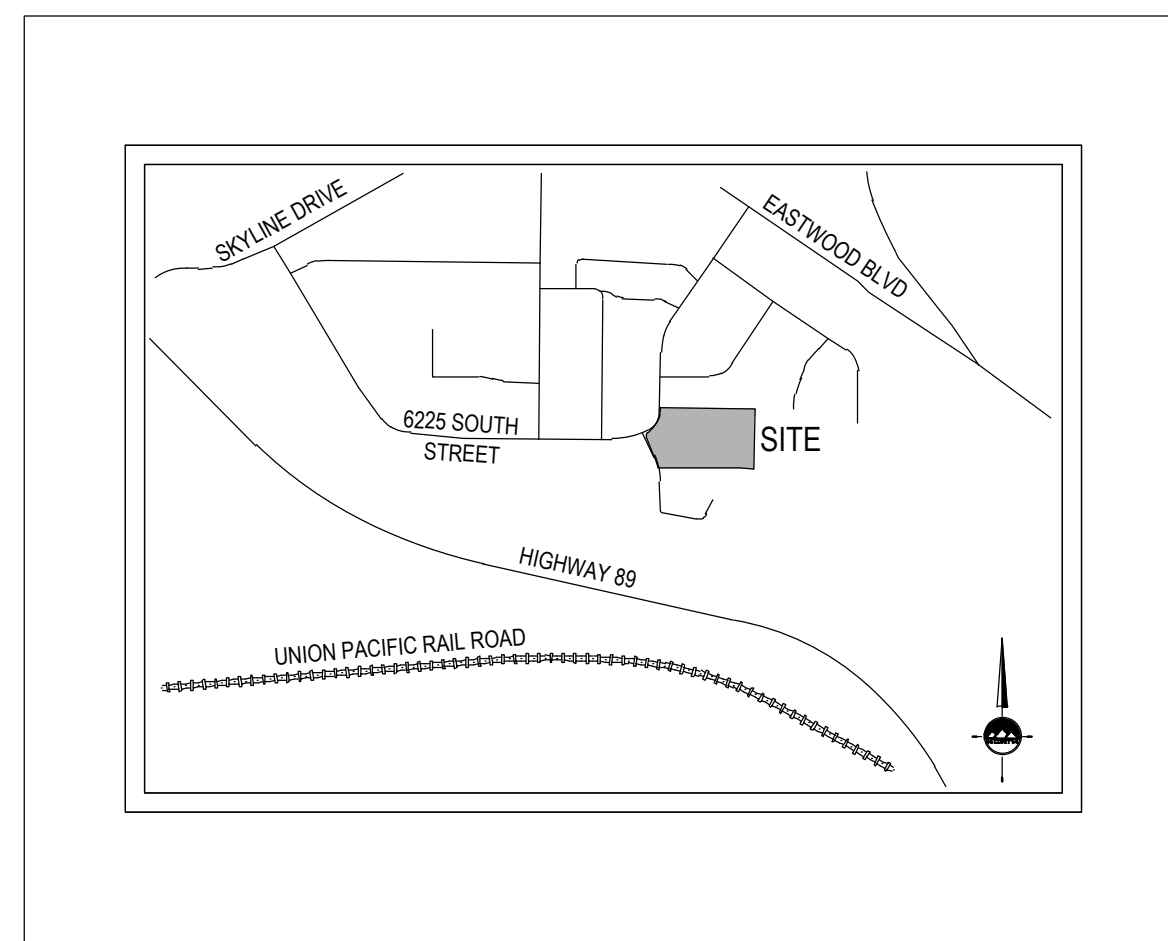
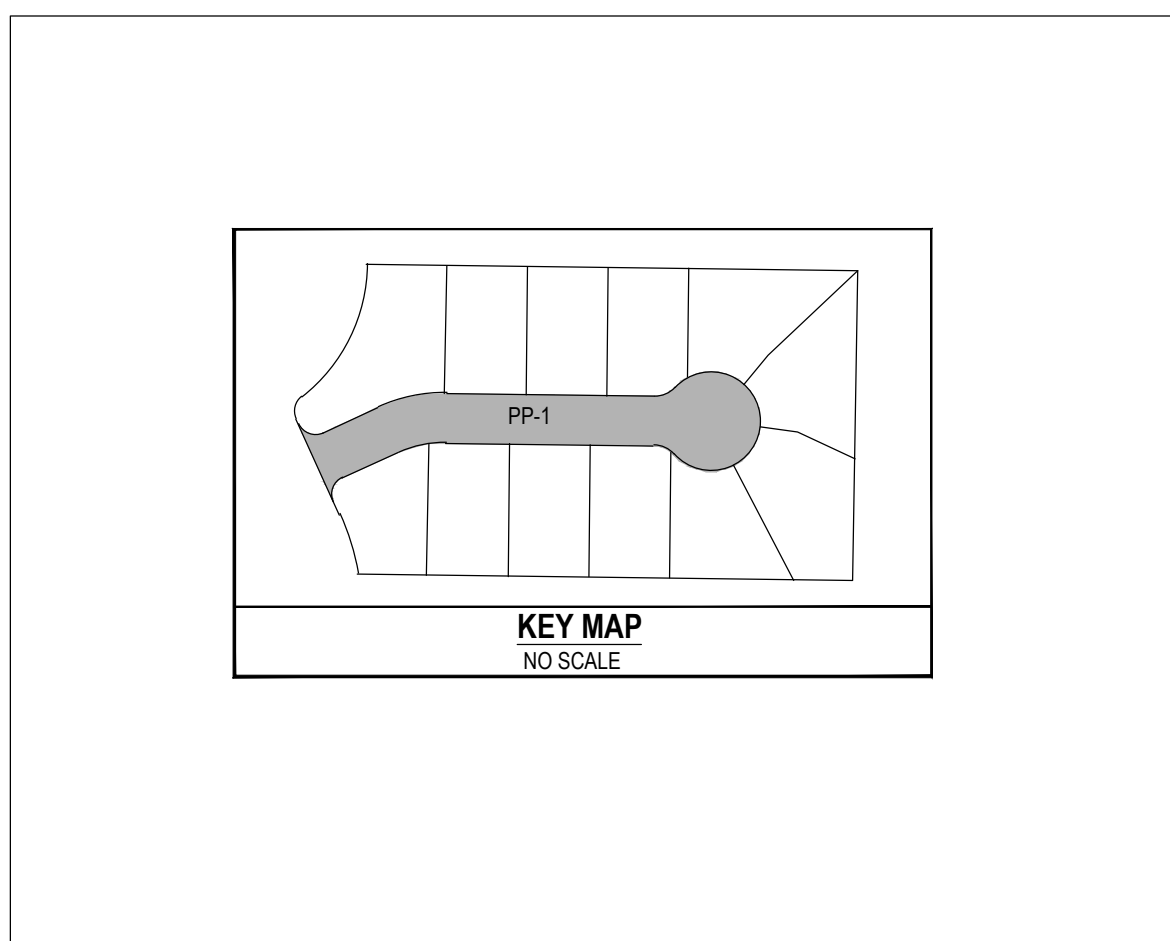
CONTRACTOR FURTHER AGREES TO ASSUME SOLE AND COMPLETE RESPONSIBILITY FOR JOB-SITE CONDITIONS DURING THE COURSE OF CONSTRUCTION OF THIS PROJECT, INCLUDING SAFETY OF ALL PERSONS AND PROPERTY. THAT THIS REQUIREMENT SHALL APPLY CONTINUOUSLY AND NOT BE LIMITED TO NORMAL WORKING HOURS, AND THAT THE CONTRACTOR SHALL DEFEND, INDEMNIFY AND HOLD THE OWNER AND THE CIVIL ENGINEER HARMLESS FROM ANY AND ALL LIABILITY, REAL OR ALLEGED IN CONNECTION WITH THE PERFORMANCE OF WORK ON THIS PROJECT, EXCEPTING FOR LIABILITY ARISING FROM THE SOLE NEGLIGENCE OF THE OWNER OR ENGINEER.

NOTICE TO DEVELOPER/CONTRACTOR

UNAPPROVED DRAWINGS REPRESENT WORK IN PROGRESS, ARE SUBJECT TO CHANGE, AND DO NOT CONSTITUTE A FINISHED ENGINEERING PRODUCT. ANY WORK UNDERTAKEN BY DEVELOPER OR CONTRACTOR BEFORE PLANS ARE APPROVED IS UNDERTAKEN AT THE SOLE RISK OF THE DEVELOPER, INCLUDING BUT NOT LIMITED TO BIDS, ESTIMATION, FINANCING, BONDING, SITE CLEARING, GRADING, INFRASTRUCTURE CONSTRUCTION, ETC.

UTILITY DISCLAIMER

THE CONTRACTOR IS SPECIFICALLY CAUTIONED THAT THE LOCATION AND / OR ELEVATIONS OF EXISTING UTILITIES AS SHOWN ON THESE PLANS IS BASED ON RECORDS OF THE VARIOUS UTILITY COMPANIES AND WHERE POSSIBLE, MEASUREMENTS TAKEN IN THE FIELD. THE INFORMATION IS NOT TO BE RELIED ON AS BEING EXACT OR COMPLETE. THE CONTRACTOR MUST CALL THE LOCAL UTILITY LOCATION CENTER AT LEAST 48 HOURS BEFORE ANY EXCAVATION TO REQUEST EXACT FIELD LOCATIONS OF UTILITIES. IT SHALL BE THE RESPONSIBILITY OF THE CONTRACTOR TO RELOCATE ALL EXISTING UTILITIES WHICH CONFLICT WITH THE PROPOSED IMPROVEMENTS SHOWN ON THE PLANS.



GENERAL NOTES

- ALL WORK SHALL CONFORM TO OGDEN CITY STANDARDS & SPECIFICATIONS.
- CALL BLUE STAKES AT LEAST 48 HOURS PRIOR TO THE COMMENCEMENT OF ANY CONSTRUCTION ACTIVITIES.
- BENCHMARK ELEVATION = WEST QUARTER CORNER OF SECTION 23, TOWNSHIP 5 NORTH RANGE 1 WEST SALT LAKE BASE AND MERIDIAN. ELEVATION = 4971.186'
- ALL SECONDARY WATER IRRIGATION SHALL CONFORM TO WEBER BASIN WATER CONSERVANCY DISTRICT STANDARDS AND SPECIFICATIONS.



LAYTON
919 North 400 West
Layton, UT 84041
Phone: 801.547.1100

SALT LAKE CITY
Phone: 801.255.0529

TOOELE
Phone: 435.843.3590

CEDAR CITY
Phone: 435.865.1453

RICHFIELD
Phone: 435.896.2983

WWW.ENSIGNENG.COM

FOR:
MOORE HOMES
5691 S GRANITE WOODS CIRCLE
SANDY, UTAH 84092
CONTACT:
CLIENT CONTACT
PHONE: 801-400-0000

HIGHLANDS BLUFF ESTATES
PHASE 2
2225 EAST 6225 SOUTH
OGDEN, UTAH



| NO. | DATE | REVISION | BY |
|-----|------|------------|----|
| 1 | | FOR REVIEW | |
| 2 | | | |
| 3 | | | |
| 4 | | | |
| 5 | | | |
| 6 | | | |
| 7 | | | |
| 8 | | | |

COVER

PROJECT NUMBER: 9455
PRINT DATE: 5/5/21
DRAWN BY: J.MOSS
CHECKED BY: C.PRESTON
PROJECT MANAGER: C.PRESTON

GENERAL NOTES:

- 1. PROPERTY IS ZONED R-1-12. A. FRONT YARD SETBACK IS 30'. B. REAR YARD SETBACK IS 30'. C. SIDE YARD SETBACK IS 10' MINIMUM, TOTAL 24'. D. CORNER LOT SIDE YARD SETBACK IS 20'. 2. ALL PUBLIC UTILITY AND DRAINAGE EASEMENTS (PU&DE) ARE 10' FRONT AND 10' REAR UNLESS OTHERWISE NOTED HEREON.

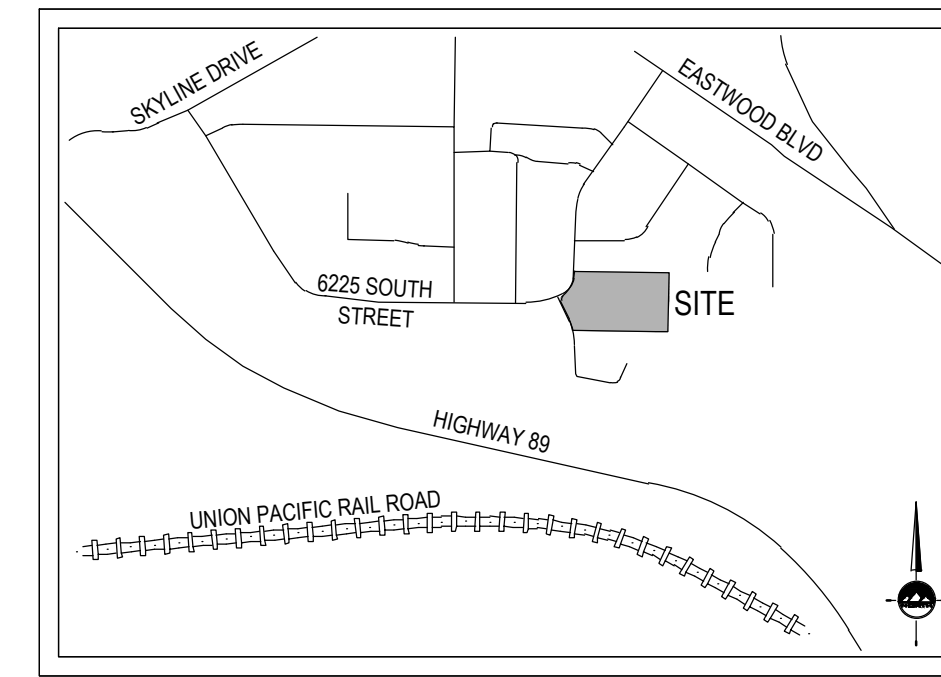
GENERAL NOTES:

- 1. UTILITIES SHALL HAVE THE RIGHT TO INSTALL, MAINTAIN, AND OPERATE THEIR EQUIPMENT ABOVE AND BELOW GROUND AND ALL OTHER RELATED FACILITIES WITHIN THE PUBLIC UTILITY EASEMENTS IDENTIFIED ON THIS PLAT MAP AS MAY BE NECESSARY OR DESIRABLE IN PROVIDING UTILITY SERVICES WITHIN AND WITHOUT THE LOTS IDENTIFIED HEREIN, INCLUDING THE RIGHT OF ACCESS TO SUCH FACILITIES AND THE RIGHT TO REQUIRE REMOVAL OF ANY OBSTRUCTIONS INCLUDING STRUCTURES, TREES AND VEGETATION THAT MAY BE PLACED WITHIN THE P.U.E. THE UTILITY MAY REQUIRE THE LOT OWNER TO REMOVE ALL STRUCTURES WITHIN THE P.U.E. AT THE LOT OWNERS EXPENSE, OR THE UTILITY MAY REMOVE SUCH STRUCTURES AT THE LOT OWNERS EXPENSE. AT NO TIME MAY ANY PERMANENT STRUCTURES BE PLACED WITHIN THE P.U.E. OR ANY OTHER OBSTRUCTION WHICH INTERFERES WITH THE USE OF THE P.U.E. WITHOUT THE PRIOR WRITTEN APPROVAL OF THE UTILITIES WITH FACILITIES IN THE P.U.E. IN ADDITION, ANY FENCES LOCATED ON LOT 204 THAT BLOCKS THE ACCESS EASEMENT MUST INCLUDE A 12' WIDE ACCESS GATE TO ALLOW FOR EQUIPMENT TO ENTER. 2. 5/8" x 24" REBAR AND CAP WILL BE PLACED AT ALL REAR LOT CORNERS AND FRONT CORNERS WILL BE MARKED WITH A NAIL OR RIVET AT THE EXTENSION IN THE CURB. 3. PROTECT ALL EXISTING SECTION CORNERS AND STREET MONUMENTS. COORDINATE ALL SURVEY STREET MONUMENT INSTALLATION, GRADE ADJUSTMENT, AND ALL REQUIRED FEES AND PERMITS WITH THE COUNTY SURVEYOR PRIOR TO DISRUPTION OF ANY EXISTING MONUMENTS. 4. FOR LOTS LARGER THAN 0.25 ACRES, SECONDARY WATER HAS BEEN ALLOCATED TO PARCELS BASED ON AN ANTICIPATED HARDSCAPE AREA OF 0.11 ACRES AND THAT 2/3 OF THE REMAINING LANDSCAPE AREA IS PLANTED IN LOW WATER USE PLANTS. LARGER TOTAL LANDSCAPE AREAS, HIGHER PERCENTAGE TURF AREAS, INEFFICIENT DESIGN OF IRRIGATION SYSTEM, OR INEFFICIENT OPERATION OF IRRIGATION SYSTEM MAY RESULT IN HOMEOWNER INCURRING ADDITIONAL BILLING CHARGES AND/OR SECONDARY WATER SERVICE BEING SHUT OFF. 5. A GEOTECHNICAL STUDY IS AVAILABLE FOR REVIEW IN THE WEBER COUNTY PLANNING OFFICE.

HIGHLANDS BLUFF ESTATES SUBDIVISION PHASE 1 AMENDMENT 1

AMENDING PORTION OF LOT 1

LOCATED IN THE SOUTHWEST CORNER OF SECTION 23 TOWNSHIP 5 NORTH, RANGE 1 WEST SALT LAKE BASE AND MERIDIAN WEBER COUNTY, UTAH APRIL 2020



SURVEYOR'S CERTIFICATE

I, TRENT R. WILLIAMS do hereby certify that I am a Licensed Land Surveyor, and that I hold certificate No. 8034678 as prescribed under laws of the State of Utah in accordance with Title 58 Chapter 22. Professional Engineers and Professional Land Surveyors Licensing Act. I further certify that by authority of the Owners, I have made a survey of the tract of land shown on this plat and described below, and have subdivided said tract of land into lots and streets, hereafter to be known as HIGHLANDS BLUFF ESTATES SUBDIVISION PHASE 1 AMENDMENT 1, and that the same has been correctly surveyed and staked on the ground as shown on this plat in accordance with Section 17-23-17. I further certify that all lots meet frontage width and area requirements of the applicable zoning ordinances.

PLAT NARRATIVE

The purpose of this plat is to subdivide Lot 1, Highland Bluff Estates Subdivision Phase 1 into lots and streets. BOUNDARY DESCRIPTION: A parcel of land, situate in the Southwest Quarter of Section 23, Township 5 North, Range 1 West, Salt Lake Base and Meridian, said parcel also located in Weber County, Utah. Beginning at the Southwest corner of Lot 110, Eastwood Subdivision No. 7, said point being South 00°37'11" East 1355.37 feet along the section line and North 89°22'49" East 1506.67 feet from the West Quarter Corner of said Section 23 and running thence: South 89°15'04" East 546.66 feet along the South line of said Eastwood Subdivision No. 7; thence South 00°57'26" West 345.00 feet; thence North 89°15'04" West 550.92 feet to the easterly right-of-way line of 2225 East Street; thence along said right-of-way the following three (3) courses and distances: 1) Northerly 69.65 feet along the arc of a 280.00-foot radius non-tangent curve to the left (center bears South 79°56'22" West and the long chord bears North 17°11'13" West 69.47 feet with a central angle of 14°15'07"); 2) North 24°18'47" West 116.90 feet; 3) Northerly 26.61 feet along the arc of a 20.00-foot radius tangent curve to the right (center bears North 65°41'13" East and the long chord bears North 13°48'03" East 24.69 feet with a central angle of 76°13'33") to the southerly right-of-way line of 6225 South Street; thence Northeastly 170.63 feet along the arc of a 190.00-foot radius curve to the left (center bears North 38°05'06" West and the long chord bears North 26°11'11" East 164.95 feet with a central angle of 51°27'11") along said southerly right-of-way to the Point of Beginning.

Table with 5 columns: CURVE, RADIUS, LENGTH, DELTA, BEARING, CHORD. Contains 22 rows of curve data for the subdivision.

Date: Trent R. Williams, PLS License no. 8034679

OWNER'S DEDICATION

We, the undersigned owners of the above described tract of land, do hereby set apart and subdivide the same into lots and streets (private streets/private right-of-way) as shown hereon and name said tract:

HIGHLANDS BLUFF ESTATES SUBDIVISION PHASE 1 AMENDMENT 1

Dedicate to public use all those parts or portions of said tract of land designated as streets, the same to be used as public thoroughfares.

In witness whereof We, the undersigned, have hereunto set our hands and names this ___ day of ___, A.D., 20__.

By: Randy Moore Moore Homes LC 70% ETAL By: Ken Rindlesbach Celebrity Construction Inc. 30% ETAL

LIMITED LIABILITY COMPANY ACKNOWLEDGMENT

STATE OF UTAH County of Davis J.S.S. On the ___ day of ___, A.D., 20__ personally appeared before me, the undersigned Notary Public, in and for said County of ___, a Limited Liability Company and that He signed the Owner's Dedication freely and voluntarily for and in behalf of said Limited Liability Company for the purposes therein mentioned and acknowledged to me that said Limited Liability Company executed the same.

MY COMMISSION EXPIRES: NOTARY PUBLIC RESIDING IN COUNTY.

HIGHLANDS BLUFF ESTATES SUBDIVISION PHASE 1 AMENDMENT 1

LOCATED IN THE SOUTHWEST CORNER OF SECTION 23 TOWNSHIP 5 NORTH RANGE 1 WEST SALT LAKE BASE & MERIDIAN WEBER COUNTY, UTAH

WEBER COUNTY RECORDER

ENTRY NO. FILED FOR RECORD AND RECORDED THIS DAY OF AT PAGE IN BOOK OF OFFICIAL RECORDS SHEET 1 OF 1 PROJECT NUMBER: 9455 MANAGER: C.PRESTON DRAWN BY: J.MCSS CHECKED BY: T.WILLIAMS DATE: 5/5/2021

1355.37' BASIS OF BEARING S 0°37'11" E 2864.06 MEASURED, 2664.06 (RECORDED)

SOUTHWEST CORNER SECTION 23, TOWNSHIP 5 NORTH, RANGE 1 WEST, S.L.B.M. (FOUND 3" WEBER COUNTY BRASS CAP MONUMENT PER WEBER COUNTY SURVEY TIE SHEETS, FOUND IN GOOD CONDITION)



LAYTON 919 North 400 West Layton UT 84041 Phone: 801.547.1100 Fax: 801.593.6315

SALT LAKE CITY Phone: 971.255.0529 TOOLE Phone: 435.943.2690 CEDAR CITY Phone: 435.865.1453 RICHFIELD Phone: 435.956.2863

WEBER COUNTY SURVEYOR THEREBY CERTIFY THAT THE WEBER COUNTY SURVEYOR'S OFFICE HAS REVIEWED THIS PLAT AND ALL CONDITIONS FOR APPROVAL BY THIS OFFICE HAVE BEEN SATISFIED. THE APPROVAL OF THIS PLAT BY THE WEBER COUNTY SURVEYOR DOES NOT RELIEVE THE LICENSED LAND SURVEYOR WHO EXECUTED THIS PLAT FROM THE RESPONSIBILITIES AND/OR LIABILITIES ASSOCIATED THEREWITH. SIGNED THIS DAY OF 20 WEBER COUNTY SURVEYOR WCO 106-1-8(c)(1)(i), 10; WCO 45-4-2(c)

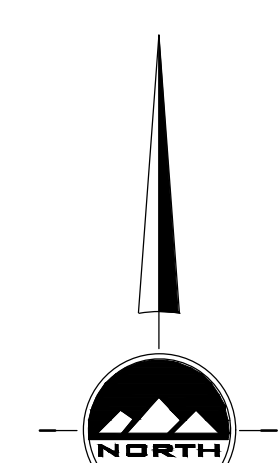
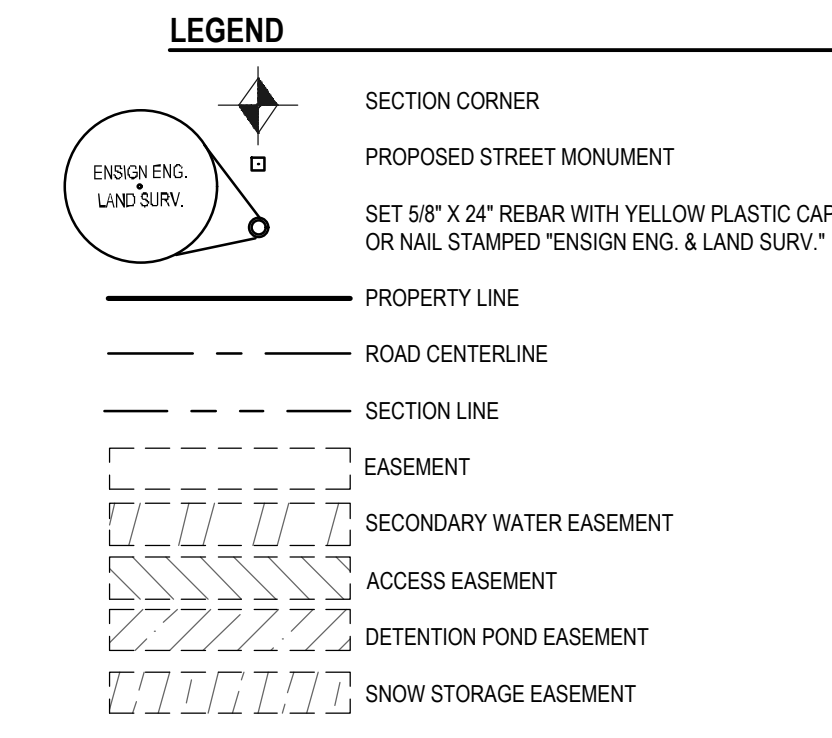
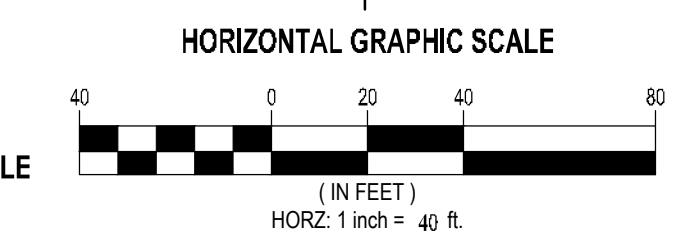
COUNTY ATTORNEY'S APPROVAL APPROVED THIS DAY OF BY THE WEBER COUNTY ATTORNEY. WEBER COUNTY ATTORNEY

PLANNING COMMISSION APPROVAL APPROVED THIS DAY OF BY THE COUNTY PLANNING COMMISSION APPROVAL CHAIRMAN, WEBER COUNTY PLANNING COMMISSION

COUNTY ENGINEER'S APPROVAL APPROVED THIS DAY OF BY THE WEBER COUNTY ENGINEER. WEBER COUNTY ENGINEER

COUNTY COUNCIL APPROVAL APPROVED THIS DAY OF BY THE WEBER COUNTY COUNCIL. COUNTY RECORDER CITY MAYOR

DEVELOPER MOORE HOMES 9691 S GRANITE WOODS CIRCLE SANDY, UTAH



811
Know what's below.
Call before you dig.

CALL BLUESTAKES
@ 811 AT LEAST 48 HOURS
PRIOR TO THE
COMMENCEMENT OF ANY
CONSTRUCTION.

BENCHMARK
WEST QUARTER CORNER OF SECTION 23
TOWNSHIP 5 NORTH RANGE 1 WEST
SALT LAKE BASE AND MERIDIAN
ELEV = 4971.186'

SCOPE OF WORK:
PROVIDE, INSTALL AND/OR CONSTRUCT THE FOLLOWING PER THE SPECIFICATIONS GIVEN OR REFERENCED, THE
DETAILS NOTED, AND/OR AS SHOWN ON THE CONSTRUCTION DRAWINGS:

- ① 30" CURB AND GUTTER
- ② 4.0' SIDEWALK
- ③ MATCH EXISTING IMPROVEMENTS
- ④ SAWCUT, REMOVE AND REPLACE ASPHALT AND CONCRETE

GENERAL NOTES

1. ALL WORK TO COMPLY WITH THE GOVERNING AGENCY'S STANDARDS AND SPECIFICATIONS.
2. ALL IMPROVEMENTS MUST COMPLY WITH ADA STANDARDS AND RECOMMENDATIONS.
3. SEE LANDSCAPE/ARCHITECTURAL PLANS FOR CONCRETE MATERIAL, COLOR, FINISH, AND SCORE PATTERNS THROUGHOUT SITE.
4. ALL PAVEMENT MARKINGS SHALL CONFORM TO THE LATEST EDITION OF THE M.U.T.C.D. (MANUAL ON UNIFORM TRAFFIC CONTROL DEVICES).
5. ALL SURFACE IMPROVEMENTS DISTURBED BY CONSTRUCTION SHALL BE RESTORED OR REPLACED, INCLUDING TREES AND DECORATIVE SHRUBS, SOIL, FENCES, WALLS AND STRUCTURES, WHETHER OR NOT THEY ARE SPECIFICALLY SHOWN ON THE CONTRACT DOCUMENTS.
6. NOTIFY ENGINEER OF ANY DISCREPANCIES IN DESIGN OR STAKING BEFORE PLACING CONCRETE OR ASPHALT.
7. THE CONTRACTOR IS TO PROTECT AND PRESERVE ALL EXISTING IMPROVEMENTS, UTILITIES, AND SIGNS, ETC. UNLESS OTHERWISE NOTED ON THESE PLANS.

ENSIGN
THE STANDARD IN ENGINEERING

LAYTON
919 North 400 West
Layton, UT 84041
Phone: 801.547.1100

SALT LAKE CITY
Phone: 801.255.0529

TOOELE
Phone: 435.843.3590

CEDAR CITY
Phone: 435.865.1453

RICHFIELD
Phone: 435.896.2983

WWW.ENSIGNENG.COM

FOR:
MOORE HOMES
5991 S GRANITE WOODS CIRCLE
SANDY, UTAH 84092

CONTACT:
CLIENT CONTACT
PHONE: 801-400-0000

**HIGHLANDS BLUFF ESTATES
PHASE 2
2225 EAST 6225 SOUTH
OGDEN, UTAH**

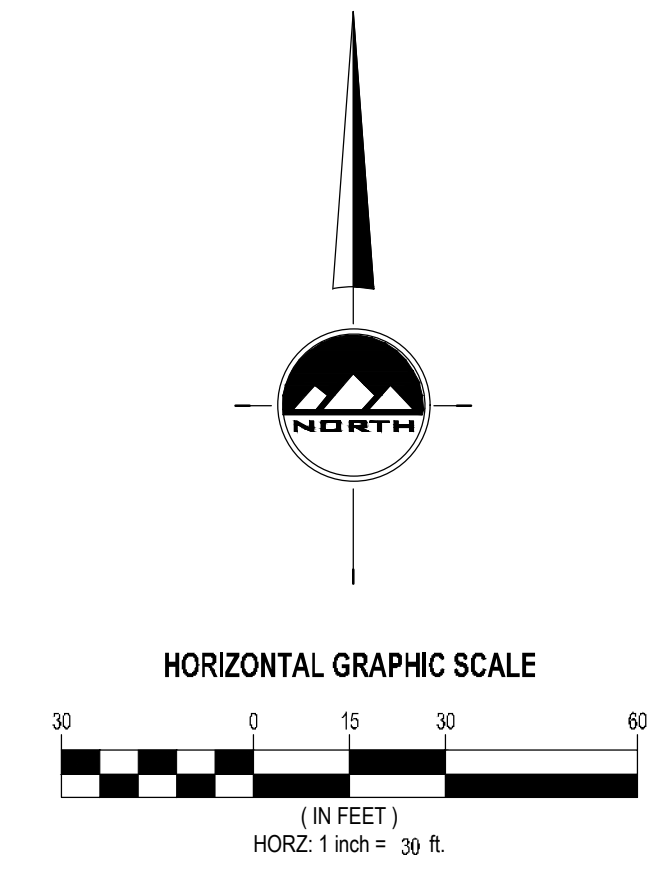
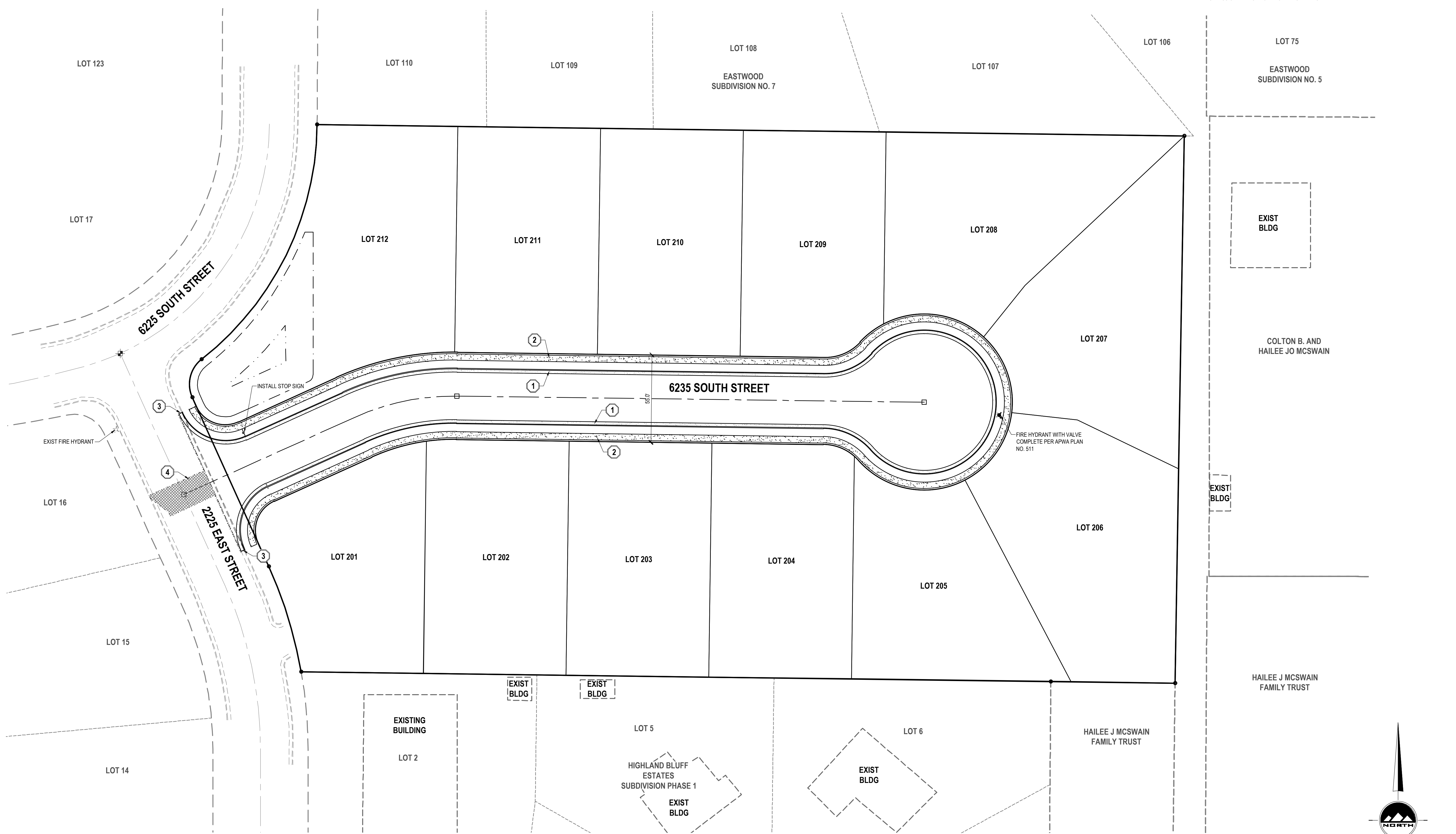


| NO. | DATE | REVISION | BY |
|-----|------|----------|----|
| 1 | | | |
| 2 | | | |
| 3 | | | |
| 4 | | | |
| 5 | | | |
| 6 | | | |
| 7 | | | |
| 8 | | | |

SITE PLAN

PROJECT NUMBER: 9455 PRINT DATE: 5/5/21
DRAWN BY: J.MOSS CHECKED BY: C.PRESTON
PROJECT MANAGER: C.PRESTON

C-100





BENCHMARK
WEST QUARTER CORNER OF SECTION 23
TOWNSHIP 9 NORTH RANGE 1 WEST
SALT LAKE BASE AND MERIDIAN
ELEV = 4971.186'

Detention Calculations (100-year storm)

| | |
|-----------------------|---------------|
| Basin Tributary Area | 199,859 SF |
| Runoff coefficient C: | 0.30 |
| Release Rate | 0.10 cfs/acre |
| Peak Release | 0.459 cfs |

| Time (min) | i (in/hr) | Cumulative Runoff to Basin (c.f.) | Net Allowed Basin Discharge (c.f.) | Required Storage (c.f.) |
|------------|-----------|-----------------------------------|------------------------------------|-------------------------|
| 5 | 7.37 | 3.043 | 1.38 | 2,906 |
| 10 | 5.80 | 4.625 | 2.75 | 4,350 |
| 15 | 4.93 | 5.736 | 4.13 | 5,323 |
| 30 | 3.12 | 7.730 | 8.26 | 6,904 |
| 60 | 1.93 | 9.564 | 1,652 | 7,912 |
| 120 | 1.12 | 11,100 | 3,303 | 7,796 |
| 180 | 0.77 | 11,432 | 4,955 | 6,476 |
| 360 | 0.43 | 12,784 | 9,910 | 2,874 |
| 720 | 0.27 | 15,995 | 19,821 | (3,825) |
| 1440 | 0.15 | 18,314 | 38,641 | (21,327) |
| 2880 | 0.08 | 21,882 | 79,283 | (57,401) |

Required Detention: 7,912
Provided Detention: 7,930

Catchment Calculations (10-year storm)

| | |
|------------------------|------------|
| Time of Concentration: | 21 min |
| Rainfall Intensity I: | 2.06 in/hr |
| Mannings N: | 0.013 |

| Catchment | Area (SF) | C | Flow (CFS) | Destination |
|-----------|-----------|------|------------|-------------|
| 1 EX | 271,496 | 0.30 | 3,823 | SD EX1 |
| 2 EX | 82,856 | 0.30 | 1,167 | SD EX2 |
| 1 | 17,200 | 0.30 | 0.242 | Offsite |
| 2 | 74,482 | 0.30 | 1,049 | SD EX3 |
| 3 | 69,641 | 0.30 | 0.981 | SD EX3 |
| 4 | 19,532 | 0.30 | 0.275 | Offsite |
| 5 | 19,004 | 0.30 | 0.269 | SD 1 |

Pipe Design (10-year storm)

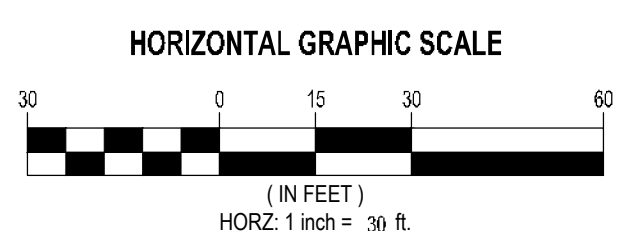
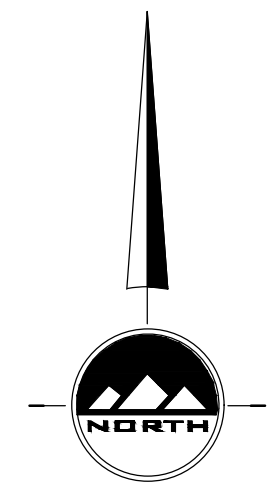
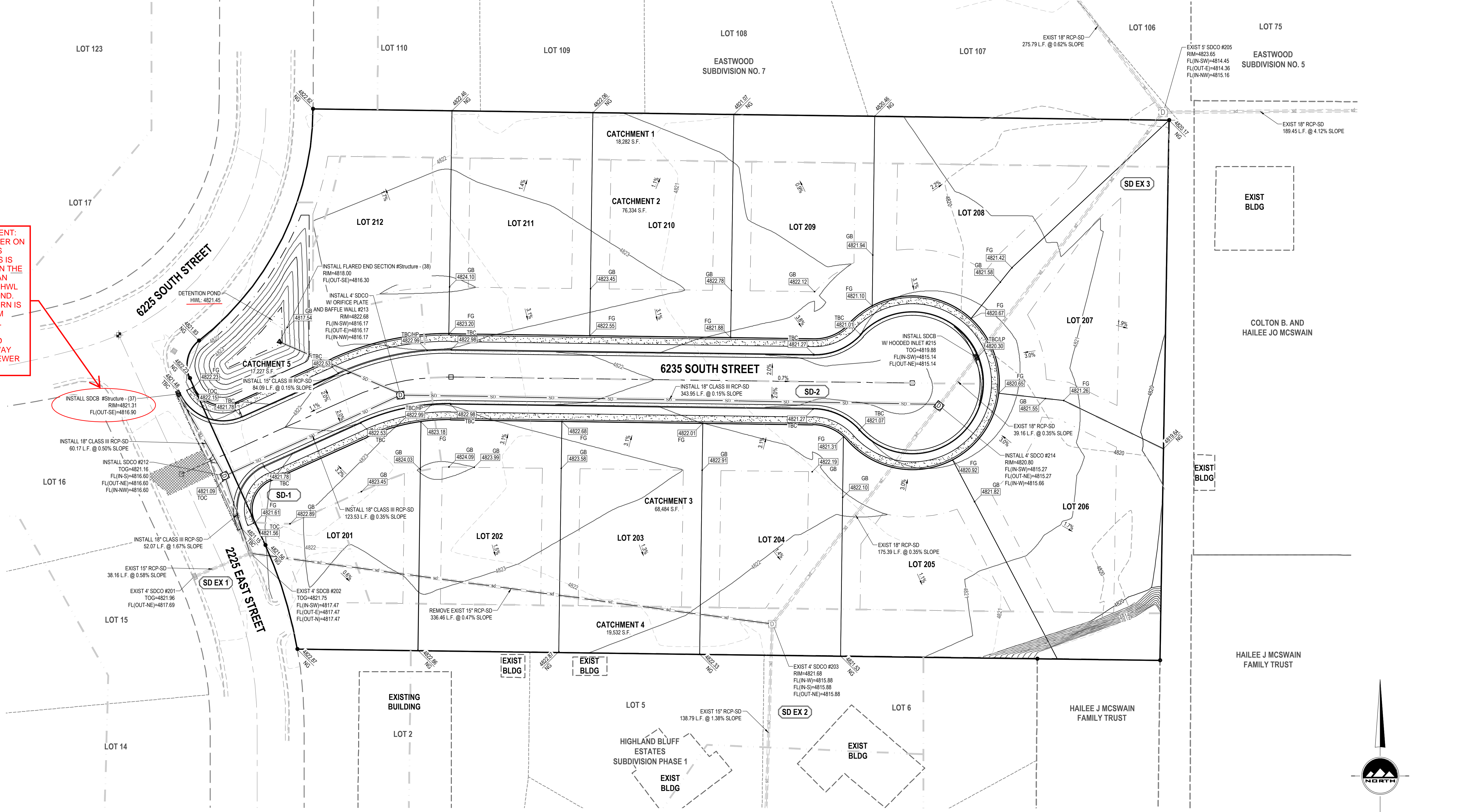
| Pipe | Tributary | Surface | Upstream | Pipe Flow | Total | Pipe | Diameter | Pipe Type | Full Flow | % of Full |
|--------|-----------|---------|----------|-----------|-------|------|----------|-----------|-----------|-----------|
| SD-EX1 | 1 EX | 3,823 | none | 0.000 | 3,823 | 18 | RCP | 6.231 | 81.4% | |
| SD-EX2 | 2 EX | 1,167 | none | 0.000 | 1,167 | 18 | RCP | 6.231 | 18.7% | |
| SD 1 | 5 | 0.268 | EX1 | 3,823 | 4,090 | 18 | RCP | 6.231 | 65.6% | |
| SD 2 | None | 0.000 | Orifice | 1,926 | 1,926 | 18 | RCP | 4.079 | 47.2% | |
| SD EX3 | 2, 3 | 2,028 | SD2, EX2 | 3,093 | 5,122 | 18 | RCP | 6.231 | 82.2% | |

Orifice Calculations: $Q=C_dA(2gh)^{1/2}$
High Water Elevation: 4821.45 FT
Box Invert: 4816.30 FT
Allowed Basin Discharge: 0.459 CFS
Allowable Bypass: 1.468 CFS
Total Discharge: 1.926 CFS
 C_d : 0.62
Orifice Area: 24.57 IN²
Orifice Diameter: 5.6 IN

GENERAL NOTES

- ALL WORK TO COMPLY WITH THE GOVERNING AGENCY'S STANDARDS AND SPECIFICATIONS.
- ALL IMPROVEMENTS MUST COMPLY WITH ADA STANDARDS AND RECOMMENDATIONS.
- ALL WORK SHALL COMPLY WITH THE RECOMMENDATIONS OF THE GEOTECHNICAL ENGINEER POSSIBLY INCLUDING, BUT NOT LIMITED TO, REMOVAL OF UNCONSOLIDATED FILL, ORGANICS, AND DEBRIS, PLACEMENT OF SUBSURFACE DRAIN LINES AND GEOTEXTILE, AND OVEREXCAVATION OF UNSUITABLE BEARING MATERIALS AND PLACEMENT OF ACCEPTABLE FILL MATERIAL.
- THE CONTRACTOR SHALL BECOME FAMILIAR WITH THE EXISTING SOIL CONDITIONS.
- LANDSCAPED AREAS REQUIRE SUBGRADE TO BE MAINTAINED AT A SPECIFIC ELEVATION BELOW FINISHED GRADE AND REQUIRE SUBGRADE TO BE PROPERLY PREPARED AND SCARIFIED. SEE LANDSCAPE PLANS FOR ADDITIONAL INFORMATION.
- SLOPE ALL LANDSCAPED AREAS AWAY FROM BUILDING FOUNDATIONS TOWARD CURB AND GUTTER OR STORM DRAIN INLETS.
- EXISTING UNDERGROUND UTILITIES AND IMPROVEMENTS ARE SHOWN IN THEIR APPROXIMATE LOCATIONS BASED UPON RECORD INFORMATION AVAILABLE AT THE TIME OF PREPARATION OF THESE PLANS. LOCATIONS MAY NOT HAVE BEEN VERIFIED IN THE FIELD AND NO GUARANTEE IS MADE AS TO THE ACCURACY OR COMPLETENESS OF THE INFORMATION SHOWN. IT SHALL BE THE RESPONSIBILITY OF THE CONTRACTOR TO DETERMINE THE EXISTENCE AND LOCATION OF THE UTILITIES SHOWN ON THESE PLANS OR INDICATED IN THE FIELD BY LOCATING SERVICES. ANY ADDITIONAL COSTS INCURRED AS A RESULT OF THE CONTRACTOR'S FAILURE TO VERIFY THE LOCATIONS OF EXISTING UTILITIES PRIOR TO THE BEGINNING OF CONSTRUCTION IN THEIR VICINITY SHALL BE BORNE BY THE CONTRACTOR AND ASSUMED INCLUDED IN THE CONTRACT. THE CONTRACTOR IS TO VERIFY ALL CONNECTION POINTS WITH THE EXISTING UTILITIES. THE CONTRACTOR IS RESPONSIBLE FOR ANY DAMAGE CAUSED TO THE EXISTING UTILITIES AND UTILITY STRUCTURES THAT ARE TO REMAIN. IF CONFLICTS WITH EXISTING UTILITIES OCCUR, THE CONTRACTOR SHALL NOTIFY THE ENGINEER PRIOR TO CONSTRUCTION TO DETERMINE IF ANY FIELD ADJUSTMENTS SHOULD BE MADE.
- ALL STORM DRAIN INFRASTRUCTURE TO BE INSTALLED PER GOVERNING AGENCY OR APWA STANDARD PLANS AND SPECIFICATIONS.
- ENSURE MINIMUM COVER OVER ALL STORM DRAIN PIPES PER MANUFACTURER'S RECOMMENDATIONS. NOTIFY ENGINEER IF MINIMUM COVER CANNOT BE ATTAINED.
- ALL FACILITIES WITH DOWNSPOUTS/ROOF DRAINS SHALL BE CONNECTED TO THE STORM DRAIN SYSTEM. SEE PLUMBING PLANS FOR DOWNSPOUT/ROOF DRAIN LOCATIONS AND SIZES. ALL ROOF DRAINS TO HAVE MINIMUM 1% SLOPE.
- THE CONTRACTOR SHALL ADJUST TO GRADE ALL EXISTING UTILITIES AS NEEDED PER LOCAL GOVERNING AGENCY'S STANDARDS AND SPECIFICATIONS.
- NOTIFY ENGINEER OF ANY DISCREPANCIES IN DESIGN OR STAKING BEFORE PLACING CONCRETE, ASPHALT, OR STORM DRAIN STRUCTURES OR PIPES.
- THE CONTRACTOR IS TO PROTECT AND PRESERVE ALL EXISTING IMPROVEMENTS, UTILITIES, AND SIGNS, ETC. UNLESS OTHERWISE NOTED ON THESE PLANS.
- THE DETENTION SYSTEM IS A LAYOUT AND DOES NOT SHOW ALL PARTS. CONTRACTOR/OWNER IS RESPONSIBLE TO GET AN ESTIMATE FROM THE DETENTION MANUFACTURER FOR AN ACCURATE ESTIMATE.

UHD COMMENT: RIM OF SEWER ON 2225 EAST IS LOWER THAN THE STORM DRAIN GRATE AND HWL FOR THE POND. OUR CONCERN IS THAT STORM WATER WILL FLOOD THE STREET AND WORK ITS WAY INTO THE SEWER SYSTEM.



ENSIGN
THE STANDARD IN ENGINEERING

LAYTON
919 North 400 West
Layton, UT 84041
Phone: 801.547.1100

SALT LAKE CITY
Phone: 801.255.0529

TOOELE
Phone: 435.843.3590

CEDAR CITY
Phone: 435.865.1453

RICHFIELD
Phone: 435.896.2983

WWW.ENSIGNENG.COM

FOR:
MOORE HOMES
5691 S GRANITE WOODS CIRCLE
SANDY, UTAH 84092

CONTACT:
CLIENT CONTACT
PHONE: 801-400-0000

HIGHLANDS BLUFF ESTATES
PHASE 2
2225 EAST 6225 SOUTH
OGDEN, UTAH



| | | |
|-----|------|-------------|
| NO. | DATE | DESCRIPTION |
| 1 | | FOR REVIEW |
| 2 | | |
| 3 | | |
| 4 | | |
| 5 | | |
| 6 | | |
| 7 | | |
| 8 | | |

GRADING/DRAINAGE PLAN

PROJECT NUMBER: 9455
PRINT DATE: 5/5/21

DRAWN BY: J.MOSS
CHECKED BY: C.PRESTON

PROJECT MANAGER: C.PRESTON

C-200

811
Know what's below.
Call before you dig.

CALL BLUESTAKES
@ 811 AT LEAST 48 HOURS
PRIOR TO THE
COMMENCEMENT OF ANY
CONSTRUCTION.

BENCHMARK
WEST QUARTER CORNER OF SECTION 23
TOWNSHIP 5 NORTH RANGE 1 WEST
SALT LAKE BASE AND MERIDIAN
ELEV = 4971.186'

SCOPE OF WORK:

- PROVIDE, INSTALL AND/OR CONSTRUCT THE FOLLOWING PER THE SPECIFICATIONS GIVEN OR REFERENCED. THE DETAILS NOTED, AND/OR AS SHOWN ON THE CONSTRUCTION DRAWINGS.
- 1" CULINARY WATER SERVICE WITH 1" WATER METER PER UTAH HIGHLANDS IMPROVEMENT DISTRICT STANDARDS
 - INSTALL 4" SANITARY SEWER LATERAL @ 2.00% MINIMUM SLOPE
 - 8" C900 PVC DR18 CULINARY WATERLINE
 - 6"X6" TEE AND THRUST BLOCK AND 6" FLXMI VALVE PER WEBER BASIN WATER CONSERVANCY DISTRICT STANDARDS AND SPECIFICATIONS.
 - 8" GATE VALVE.
 - FIELD LOCATE AND "HOT TAP" EXISTING CULINARY WATERLINE
 - INSTALL FIRE HYDRANT AND VALVE PER APWA PLAN NO. 511

- FIELD LOCATE AND CONNECT TO EXISTING SECONDARY WATERLINE PER WEBER BASIN WATER CONSERVANCY STANDARDS.
- INSTALL 1-1/2" PVC DUAL TURNOUT SECONDARY WATER SERVICE LINE WITH (2) 1" METERS PER WEBER BASIN WATER CONSERVANCY DISTRICT STANDARDS AND SPECIFICATIONS.
- 6" C900 PVC DR14 SECONDARY WATERLINE PER WEBER BASIN WATER CONSERVANCY DISTRICT STANDARDS.
- INSTALL 4" DRAIN LINE TO STORM DRAIN COMBO BOX. INSTALL 6"X4" REDUCER AND 4" VALVE AT THE END OF THE LINE PER WEBER BASIN WATER CONSERVANCY DISTRICT STANDARDS.
- AIR - VACUUM BREAKER PER WEBER BASIN WATER CONSERVANCY DISTRICT STANDARDS.
- 6" GATE VALVE PER WEBER BASIN WATER CONSERVANCY DISTRICT STANDARDS.
- PROPOSED GAS LINE LOCATION. GAS COMPANY TO DETERMINE FINAL LOCATION
- PROPOSED POWER LINE LOCATION. POWER COMPANY TO DETERMINE FINAL LOCATION.

GENERAL NOTES

- ALL WORK TO COMPLY WITH THE GOVERNING AGENCY'S STANDARDS AND SPECIFICATIONS.
- EXISTING UNDERGROUND UTILITIES AND IMPROVEMENTS ARE SHOWN IN THEIR APPROXIMATE LOCATIONS BASED UPON RECORD INFORMATION AVAILABLE AT THE TIME OF PREPARATION OF THESE PLANS. LOCATIONS MAY NOT HAVE BEEN VERIFIED IN THE FIELD AND NO GUARANTEE IS MADE AS TO THE ACCURACY OR COMPLETENESS OF THE INFORMATION SHOWN. IT SHALL BE THE RESPONSIBILITY OF THE CONTRACTOR TO DETERMINE THE EXISTENCE AND LOCATION OF THE UTILITIES SHOWN ON THESE PLANS OR INDICATED IN THE FIELD BY LOCATING SERVICES. ANY ADDITIONAL COSTS INCURRED AS A RESULT OF THE CONTRACTOR'S FAILURE TO VERIFY THE LOCATIONS OF EXISTING UTILITIES PRIOR TO THE BEGINNING OF CONSTRUCTION IN THEIR VICINITY SHALL BE BORNE BY THE CONTRACTOR AND ASSUMED INCLUDED IN THE CONTRACT. THE CONTRACTOR IS TO VERIFY ALL CONNECTION POINTS WITH THE EXISTING UTILITIES. THE CONTRACTOR IS RESPONSIBLE FOR ANY DAMAGE CAUSED TO THE EXISTING UTILITIES AND UTILITY STRUCTURES THAT ARE TO REMAIN. IF CONFLICTS WITH EXISTING UTILITIES OCCUR, THE CONTRACTOR SHALL NOTIFY THE ENGINEER PRIOR TO CONSTRUCTION TO DETERMINE IF ANY FIELD ADJUSTMENTS SHOULD BE MADE.
- ALL SANITARY SEWER INFRASTRUCTURE TO BE INSTALLED PER GOVERNING AGENCY STANDARD PLANS AND SPECIFICATIONS.
- ALL WATER INFRASTRUCTURE TO BE INSTALLED PER GOVERNING AGENCY OR APWA STANDARD PLANS AND SPECIFICATIONS.
- DEFLECT OR LOOP ALL WATERLINES TO AVOID CONFLICTS WITH OTHER UTILITIES PER GOVERNING AGENCY'S STANDARDS AND SPECIFICATIONS.
- PROJECT SHALL COMPLY WITH ALL UTAH DIVISION OF DRINKING WATER RULES AND REGULATIONS INCLUDING, BUT NOT LIMITED TO, THOSE PERTAINING TO BACKFLOW PROTECTION AND CROSS CONNECTION PREVENTION.
- THE CONTRACTOR IS TO COORDINATE ALL UTILITIES WITH MECHANICAL/PLUMBING PLANS.
- NOTIFY ENGINEER OF ANY DISCREPANCIES IN DESIGN OR STAKING BEFORE PLACING UTILITY STRUCTURES OR PIPES.
- THE CONTRACTOR SHALL ADJUST TO GRADE ALL EXISTING UTILITIES AS NEEDED PER LOCAL GOVERNING AGENCY'S STANDARDS AND SPECIFICATIONS.
- THE CONTRACTOR IS TO PROTECT AND PRESERVE ALL EXISTING IMPROVEMENTS, UTILITIES, AND SIGNS, ETC. UNLESS OTHERWISE NOTED ON THESE PLANS.

ENSIGN
THE STANDARD IN ENGINEERING

LAYTON
919 North 400 West
Layton, UT 84041
Phone: 801.547.1100

SALT LAKE CITY
Phone: 801.255.0529

TOOELE
Phone: 435.843.3590

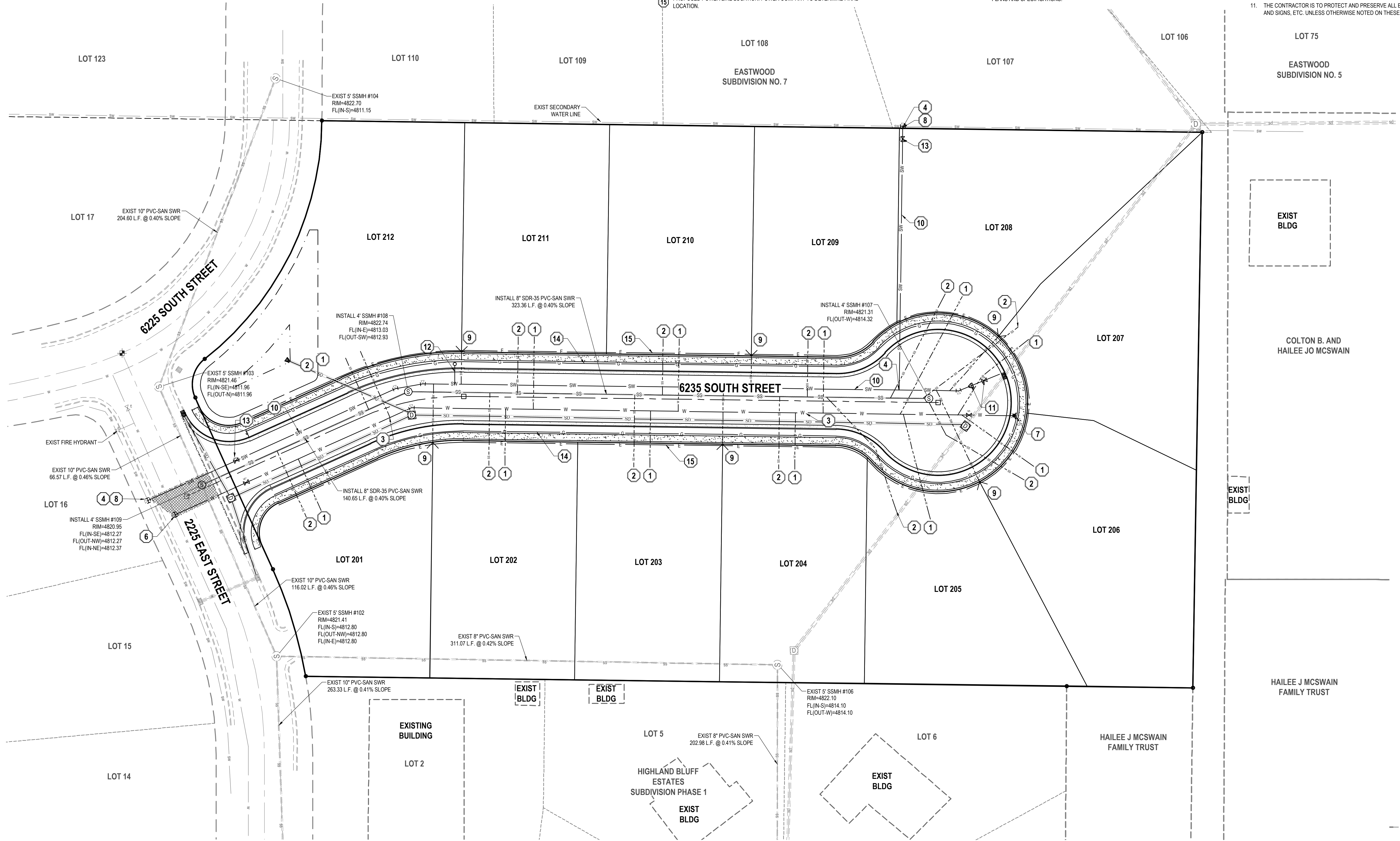
CEDAR CITY
Phone: 435.865.1453

RICHFIELD
Phone: 435.896.2983

WWW.ENSIGNENG.COM

FOR:
MOORE HOMES
5991 S GRANITE WOODS CIRCLE
SANDY, UTAH 84092

CONTACT:
CLIENT CONTACT
PHONE: 801-400-0000



HIGHLANDS BLUFF ESTATES
PHASE 2
2225 EAST 6225 SOUTH
OGDEN, UTAH



| NO. | DATE | REVISION | BY |
|-----|------|------------|----|
| 1 | | FOR REVIEW | |
| 2 | | | |
| 3 | | | |
| 4 | | | |
| 5 | | | |
| 6 | | | |
| 7 | | | |
| 8 | | | |

UTILITY PLAN

PROJECT NUMBER: 9455
PRINT DATE: 5/5/21

DRAWN BY: J.MOSS
CHECKED BY: C.PRESTON

PROJECT MANAGER:
C.PRESTON

C-300

811
Know what's below.
Call before you dig.

CALL BLUESTAKES
@ 811 AT LEAST 48 HOURS
PRIOR TO THE
COMMENCEMENT OF ANY
CONSTRUCTION.

BENCHMARK
WEST QUARTER CORNER OF SECTION 23
TOWNSHIP 5 NORTH RANGE 1 WEST
SALT LAKE BASE AND MERIDIAN
ELEV = 4971.186'

| REVISION SCHEDULE | | | |
|-------------------|------|--------|----------------------------------|
| NUMBER | DATE | AUTHOR | COMPANY REPRESENTATIVE SIGNATURE |
| 1 | | | |
| 2 | | | |
| 3 | | | |
| 4 | | | |
| 5 | | | |
| 6 | | | |
| 7 | | | |
| 8 | | | |
| 9 | | | |
| 10 | | | |
| 11 | | | |
| 12 | | | |

GENERAL NOTES

- THIS PLAN IS DESIGNED AS A FIRST APPRAISAL OF NECESSARY MEANS TO PROTECT THE WATERS OF THE STATE FROM POTENTIAL POLLUTION. IT IS THE RESPONSIBILITY OF THE OWNER/OPERATOR TO ADD WARRANTED BEST MANAGEMENT PRACTICES (BMP'S) AS NECESSARY, MODIFY THOSE SHOWN AS APPROPRIATE, AND DELETE FROM THE PROJECT THOSE FOUND TO BE UNNECESSARY. FEDERAL AND STATE LAW ALLOWS THESE UPDATES TO BE MADE BY THE OWNER/OPERATOR ONSITE AND RECORDED BY THE OWNER/OPERATOR ON THE COPY OF THE SWPPP KEPT ONSITE.
- DISTURBED LAND SHALL BE KEPT TO A MINIMUM. STABILIZATION MEASURES SHALL BE INITIATED AS SOON AS PRACTICABLE IN PORTIONS OF THE SITE WHERE CONSTRUCTION ACTIVITIES HAVE TEMPORARILY OR PERMANENTLY CEASED, BUT IN NO CASE MORE THAN 14 DAYS AFTER THE CONSTRUCTION ACTIVITY IN THAT PORTION OF THE SITE HAS TEMPORARILY OR PERMANENTLY CEASED. HOWEVER, WHERE CONSTRUCTION ACTIVITY ON A PORTION OF THE SITE IS TEMPORARILY CEASED, AND EARTH DISTURBING ACTIVITIES WILL BE RESUMED WITHIN 21 DAYS, TEMPORARY STABILIZATION MEASURES DO NOT HAVE TO BE INITIATED ON THAT PORTION OF THE SITE.
- RESEED DISTURBED LAND WITH NATIVE GRASS MIXTURE WITHIN 14 CALENDAR DAYS OF ACHIEVEMENT OF FINISH GRADE TO STABILIZE SOILS IF LAND IS NOT TO BE RE-WORKED WITHIN 14 CALENDAR DAYS OF THE CESSATION OF CONSTRUCTION ACTIVITIES AT THAT LOCATION.
- DETAILS SHOWN ARE TO BE EMPLOYED TO PROTECT RUNOFF AS APPROPRIATE DURING CONSTRUCTION. NOT ALL DETAILS ARE NECESSARY AT ALL PHASES OF THE PROJECT. IT SHALL BE THE RESPONSIBILITY OF THE OWNER/OPERATOR TO USE APPROPRIATE BEST MANAGEMENT PRACTICES AT THE APPROPRIATE PHASE OF CONSTRUCTION. SEE SWPPP FOR BMP IMPLEMENTATION SCHEDULE.
- VARIOUS BEST MANAGEMENT PRACTICES HAVE BEEN SHOWN ON THE PLANS AT SUGGESTED LOCATIONS. THE CONTRACTOR MAY MOVE AND RECONFIGURE THESE BMP'S TO OTHER LOCATIONS IF PREFERRED, PROVIDED THE INTENT OF THE DESIGN IS PRESERVED.
- NOT ALL POSSIBLE BMP'S HAVE BEEN SHOWN. THE CONTRACTOR IS RESPONSIBLE TO APPLY CORRECT MEASURES TO PREVENT THE POLLUTION OF STORM WATER PER PROJECT SWPPP.
- A UPDES (UTAH POLLUTANT DISCHARGE ELIMINATION SYSTEM) PERMIT IS REQUIRED FOR ALL CONSTRUCTION ACTIVITIES 1 ACRE OR MORE.

ENSIGN
THE STANDARD IN ENGINEERING

LAYTON
919 North 400 West
Layton, UT 84041
Phone: 801.547.1100

SALT LAKE CITY
Phone: 801.255.0529

TOOELE
Phone: 435.843.3590

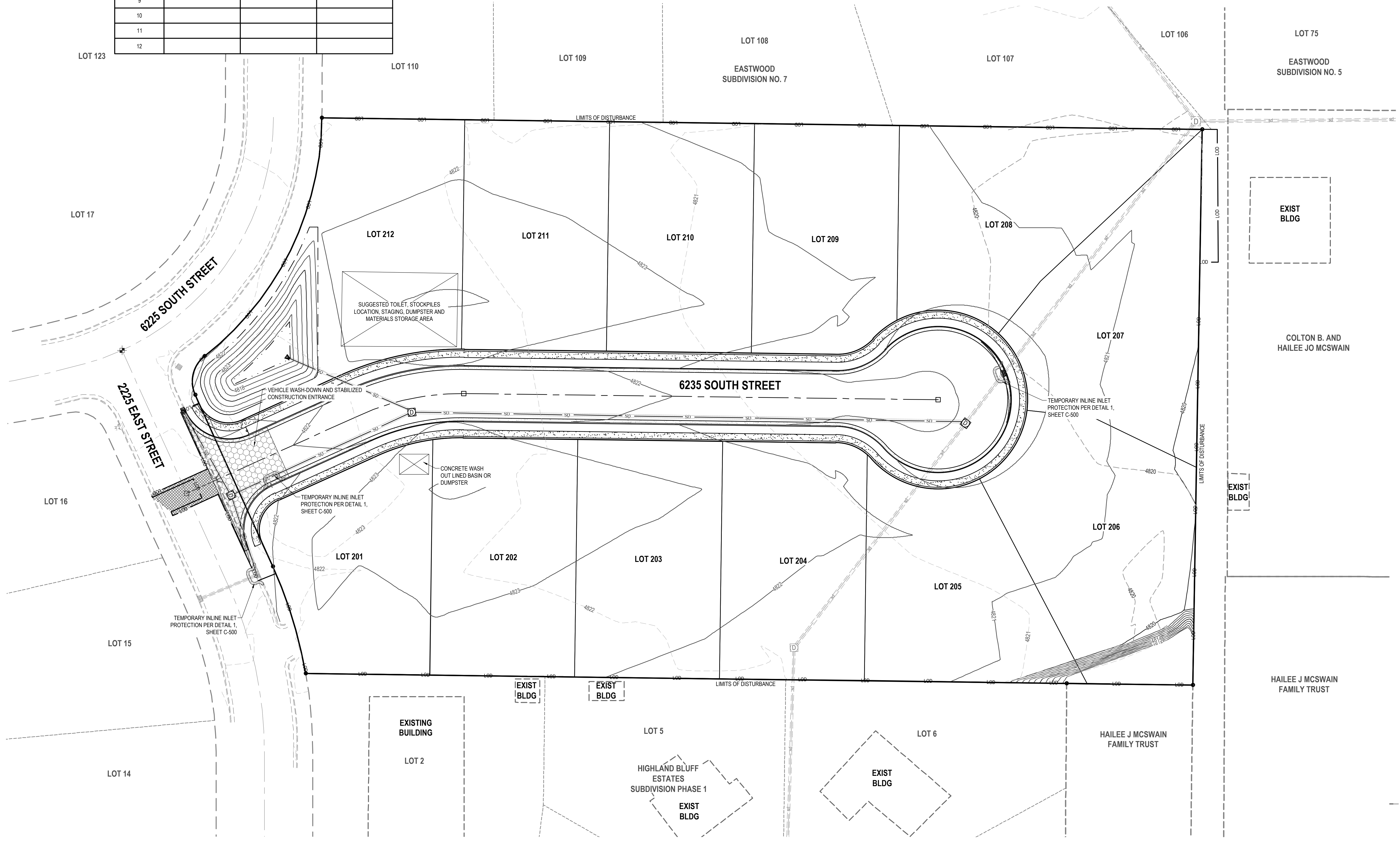
CEDAR CITY
Phone: 435.865.1453

RICHFIELD
Phone: 435.896.2983

WWW.ENSIGNENG.COM

FOR:
MOORE HOMES
5691 S GRANITE WOODS CIRCLE
SANDY, UTAH 84092

CONTACT:
CLIENT CONTACT
PHONE: 801-400-0000



**HIGHLANDS BLUFF ESTATES
PHASE 2
2225 EAST 6225 SOUTH
OGDEN, UTAH**

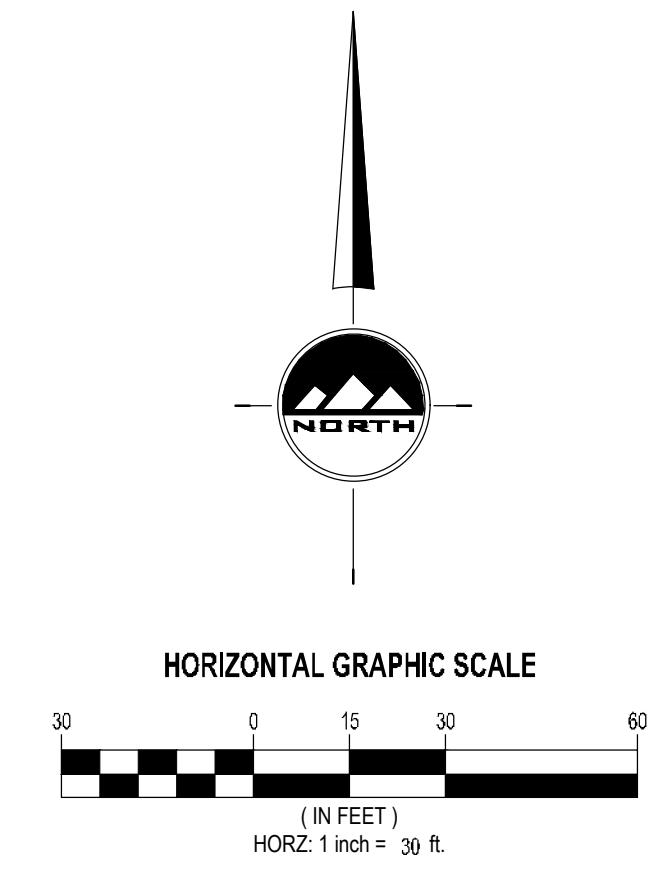


| NO. | DATE | REVISION | BY |
|-----|------|------------|----|
| 1 | | FOR REVIEW | |
| 2 | | | |
| 3 | | | |
| 4 | | | |
| 5 | | | |
| 6 | | | |
| 7 | | | |
| 8 | | | |

EROSION CONTROL PLAN

PROJECT NUMBER: 9455
PRINT DATE: 5/5/21
DRAWN BY: J. MOSS
CHECKED BY: C. PRESTON
PROJECT MANAGER: C. PRESTON

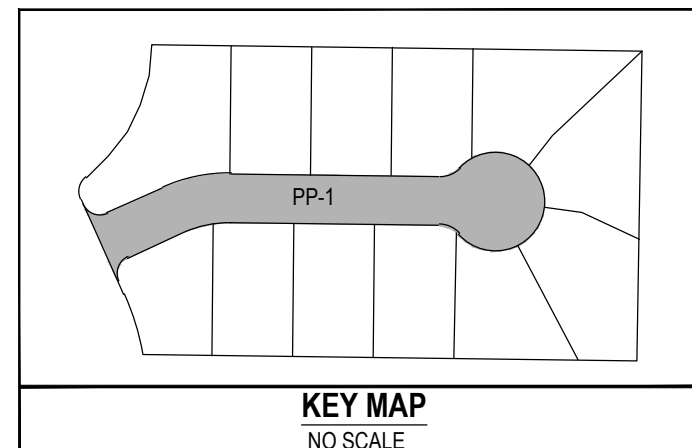
C-400



811
CALL BLUESTAKES
@ 811 AT LEAST 48 HOURS
PRIOR TO THE
COMMENCEMENT OF ANY
CONSTRUCTION.
Know what's below.
Call before you dig.

BENCHMARK
WEST QUARTER CORNER OF SECTION 23
TOWNSHIP 5 NORTH RANGE 1 WEST
SALT LAKE BASE AND MERIDIAN
ELEV = 4971.186'

- SCOPE OF WORK:**
PROVIDE, INSTALL AND/OR CONSTRUCT THE FOLLOWING PER THE SPECIFICATIONS GIVEN OR REFERENCED, THE DETAILS NOTED, AND/OR AS SHOWN ON THE CONSTRUCTION DRAWINGS:
- 1" CULINARY WATER SERVICE W/ 1" WATER METER PER UTAH HIGHLAND IMPROVEMENT DISTRICT STANDARDS.
 - INSTALL 4" SANITARY SEWER LATERAL @ 2.00% MINIMUM SLOPE.
 - 8" CS90 PVC DR18 CULINARY WATERLINE PER UTAH HIGHLAND IMPROVEMENT DISTRICT STANDARDS.
 - 6"x6"x6" TEE AND THRUST BLOCK AND 6" FLXJM VALVE PER WEBER BASIN WATER CONSERVANCY DISTRICT STANDARDS AND SPECIFICATIONS.
 - 8" GATE VALVE.
 - FIELD LOCATE AND "HOT TAP" EXISTING CULINARY WATERLINE.
 - FIRE HYDRANT W/ VALVE COMPLETE PER APWA PLAN No. 511.
 - FIELD LOCATE AND CONNECT TO EXISTING SECONDARY WATERLINE PER WEBER BASIN WATER CONSERVANCY STANDARDS.
 - INSTALL 1-1/2" PVC DUAL TURNOUT SECONDARY WATER SERVICE LINE WITH (2) 1" METERS PER WEBER BASIN WATER CONSERVANCY DISTRICT STANDARDS AND SPECIFICATIONS.
 - 6" CS90 PVC DR14 SECONDARY WATERLINE PER WEBER BASIN WATER CONSERVANCY DISTRICT STANDARDS.
 - INSTALL 4" DRAIN LINE TO STORM DRAIN COMBO BOX. INSTALL 6"x4" REDUCER AND 4" VALVE AT THE END OF THE LINE PER WEBER BASIN WATER CONSERVANCY DISTRICT STANDARDS AND SPECIFICATIONS.
 - AIR - VACUUM BREAKER PER WEBER BASIN WATER CONSERVANCY DISTRICT STANDARDS.
 - 6" GATE VALVE PER WEBER BASIN WATER CONSERVANCY DISTRICT STANDARDS.
 - PROPOSED GAS LINE LOCATION. GAS COMPANY TO DETERMINE FINAL LOCATION.
 - PROPOSED POWER LINE LOCATION. POWER COMPANY TO DETERMINE FINAL LOCATION.
 - SAWCUT, REMOVE AND REPLACE ASPHALT AND CONCRETE
 - 4.0' CONCRETE WATERWAY
 - REMOVE EXISTING CURB AND GUTTER
 - 20" OF STEEL OR DR 21 (OR THICKER) WELDED HDPE PIPE CASING AROUND NEW WATER LATERAL, WITH SPACER AND WRAP-AROUND END SEALS, CENTERED OVER STORM DRAIN CROSSING
 - 20" OF STEEL OR DR 21 (OR THICKER) WELDED HDPE PIPE CASING AROUND NEW SEWER, WITH SPACERS AND WRAP-AROUND END SEALS, CENTERED OVER DRAIN CROSSING
 - 20" OF STEEL OR DR 21 (OR THICKER) WELDED HDPE PIPE CASING AROUND NEW WATER LATERAL, WITH SPACER AND WRAP-AROUND END SEALS, CENTERED OVER SEWER CROSSING



ENSIGN
THE STANDARD IN ENGINEERING

LAYTON
919 North 400 West
Layton, UT 84041
Phone: 801.547.1100

SALT LAKE CITY
Phone: 801.255.0529

TOOELE
Phone: 435.843.3590

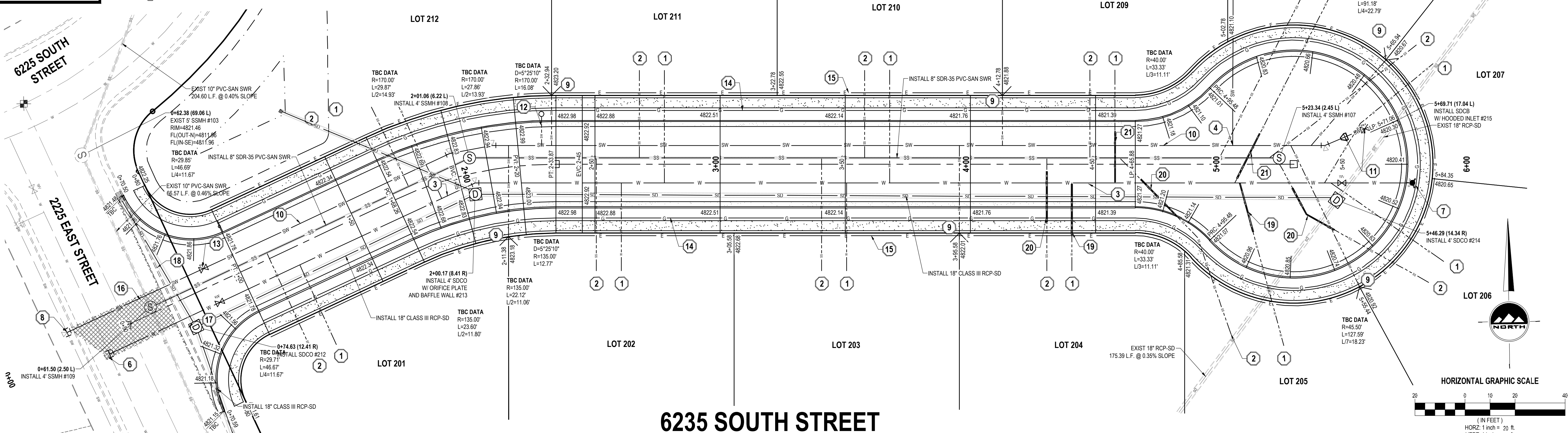
CEDAR CITY
Phone: 435.865.1453

RICHFIELD
Phone: 435.896.2983

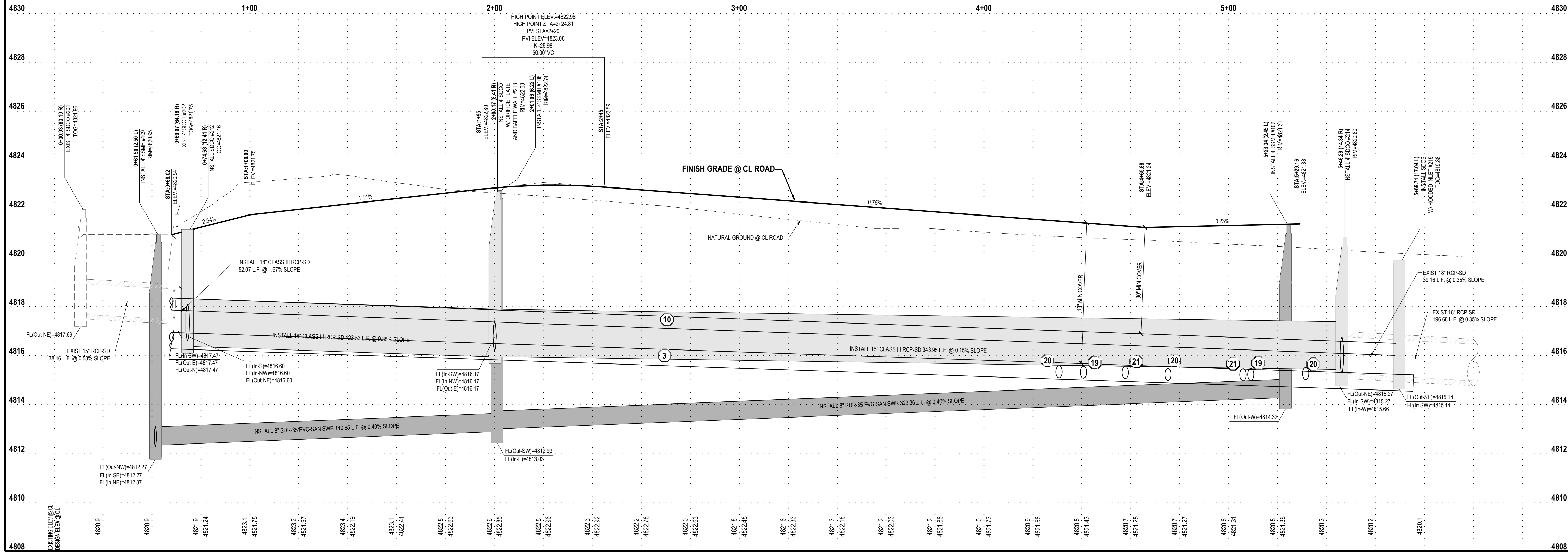
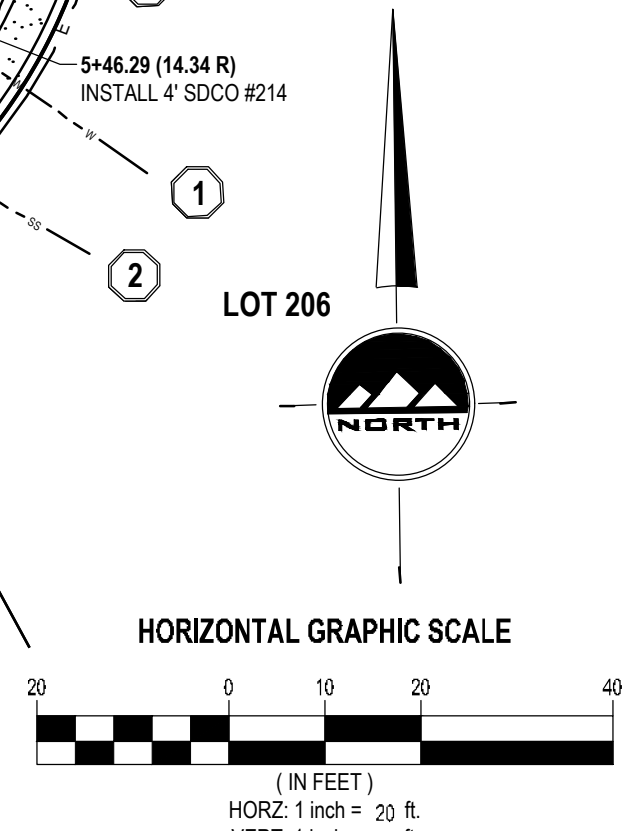
WWW.ENSIGNENG.COM

FOR:
MOORE HOMES
5691 S GRANITE WOODS CIRCLE
SANDY, UTAH 84092

CONTACT:
CLIENT CONTACT
PHONE: 801-400-0000



6235 SOUTH STREET



HIGHLANDS BLUFF ESTATES
PHASE 2
2225 EAST 6225 SOUTH
OGDEN, UTAH

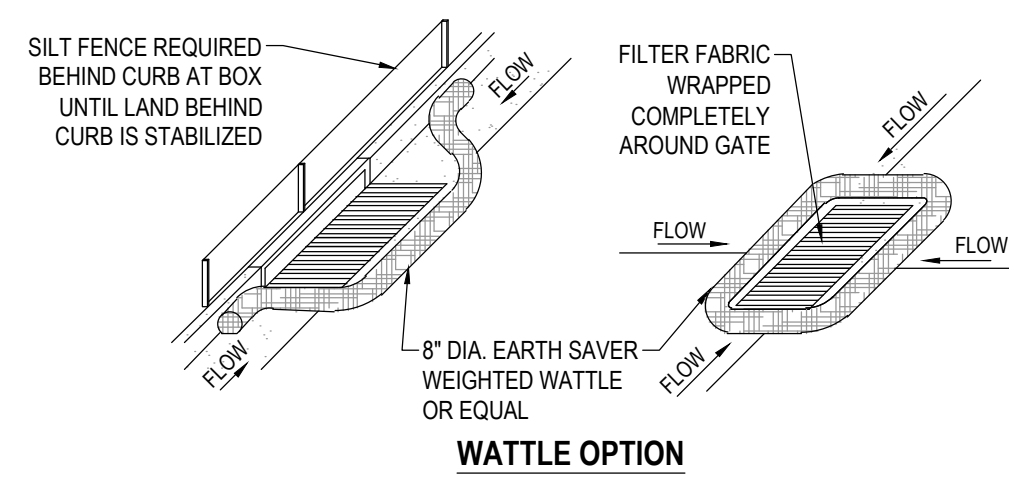


| | | | |
|-----|------|----|------------|
| NO. | DATE | BY | FOR REVIEW |
| 1 | | | |
| 2 | | | |
| 3 | | | |
| 4 | | | |
| 5 | | | |
| 6 | | | |
| 7 | | | |
| 8 | | | |

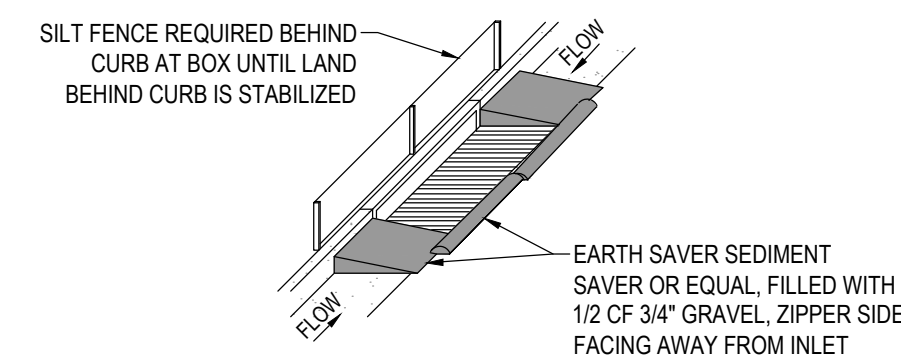
6235 SOUTH STREET
PLAN AND PROFILE

| | |
|-----------------|------------|
| PROJECT NUMBER | PRINT DATE |
| 9455 | 5/5/21 |
| DRAWN BY | CHECKED BY |
| J.MOSS | C.PRESTON |
| PROJECT MANAGER | |
| C.PRESTON | |

PP-1



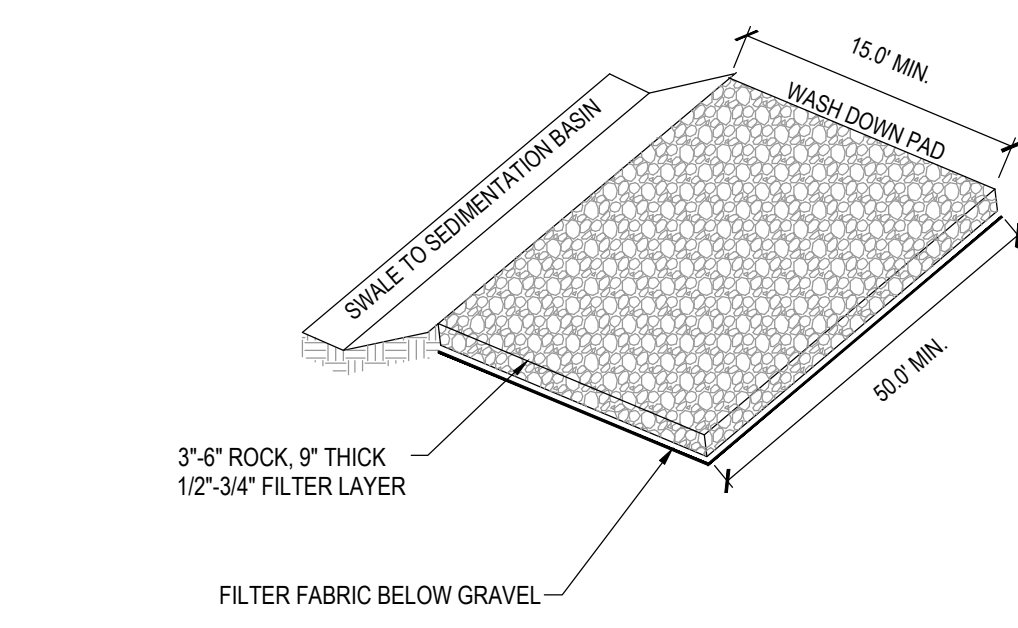
WATTLE OPTION



SANDBAG OPTION

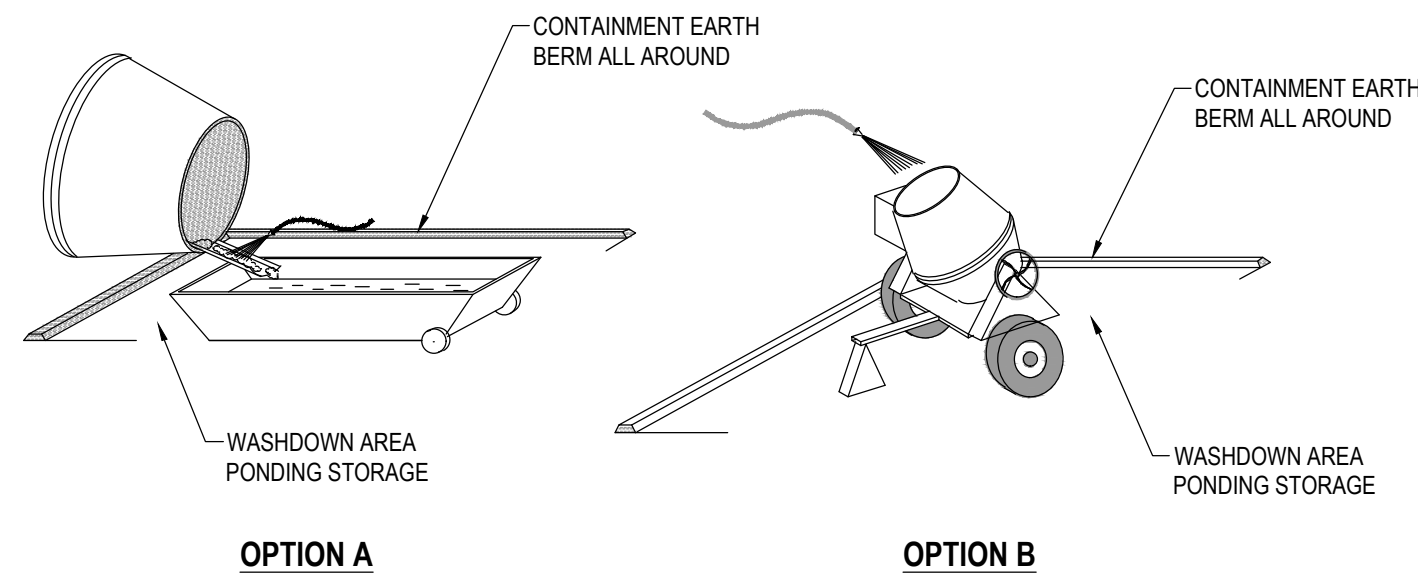
NOTES:

1. PLACE WATTLES OR GRAVEL BAGS TIGHT AGAINST CURB TO PREVENT SEDIMENT-LADEN WATER FROM GETTING BETWEEN CURB AND WATTLEBAG.
2. PLACE WATTLES OR GRAVEL BAGS SUCH THAT FLOW DOES NOT OVERTOP CURB OR ROAD CENTERLINE.
3. INSPECT INLET PROTECTION AFTER EVERY LARGE STORM EVENT AND AT LEAST BI-WEEKLY, OR PER SWPPP REQUIREMENTS, WHICHEVER IS MORE STRINGENT, TO ENSURE THAT SEDIMENT CONTROL IS MEETING ITS DESIGN INTENT. MAINTAIN AND/OR REPLACE AS NEEDED.
4. REMOVE SEDIMENT ACCUMULATED WHEN IT REACHES 50% OF GRAVEL BAG OR WATTLE HEIGHT.
5. CONTRACTOR MAY SUBMIT AN ALTERNATIVE METHOD OF INLET PROTECTION. THE ALTERNATIVE METHOD SHALL BE APPROVED BY THE CITY INSPECTOR AND THE ENGINEER OF RECORD.
6. BEFORE PLACEMENT OF CURB, STABILIZATION OF LAND BEHIND CURB, AND/OR PAVING, MAINTAIN TOP OF INLET AT 6" ABOVE GRADE, AND SURROUND WITH SILT FENCE FOR SEDIMENTATION AROUND BOX. MAINTAIN SILT FENCE BEHIND BOX UNTIL LAND BEHIND CURB IS STABILIZED.



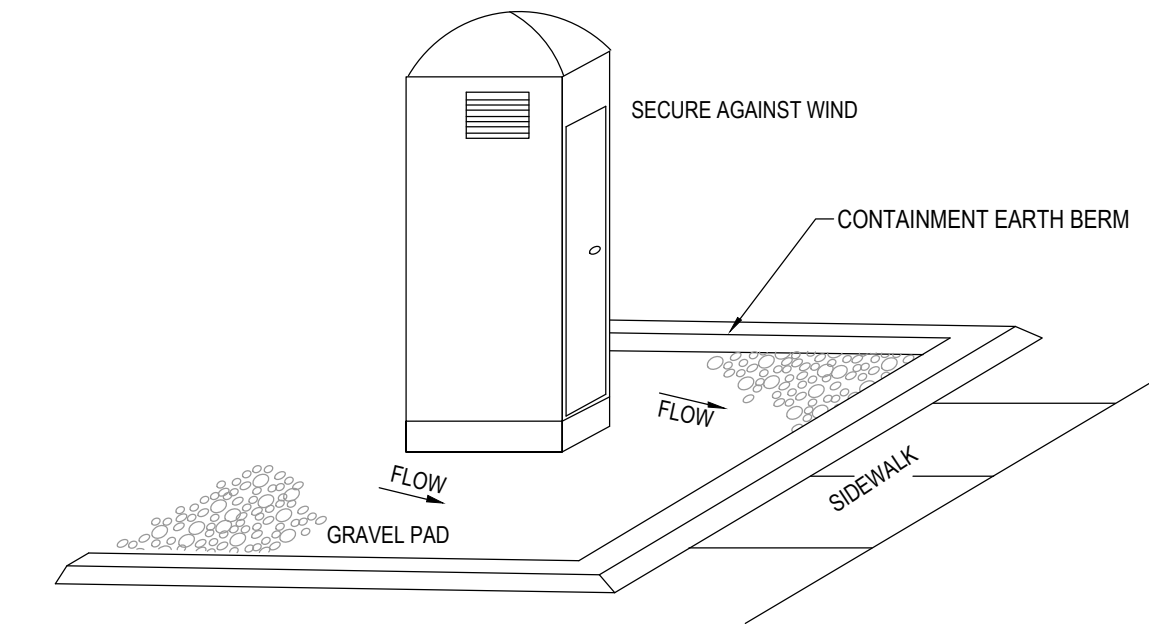
NOTE:

1. PLACE SIGN ADJACENT TO ENTRANCE "CONSTRUCTION TRAFFIC ONLY - ALL CONSTRUCTION TRAFFIC SHALL ENTER AND EXIT SITE AT THIS LOCATION"



OPTION A

OPTION B



4 PORTABLE TOILET

SCALE: NONE

1 SAG INLET PROTECTION

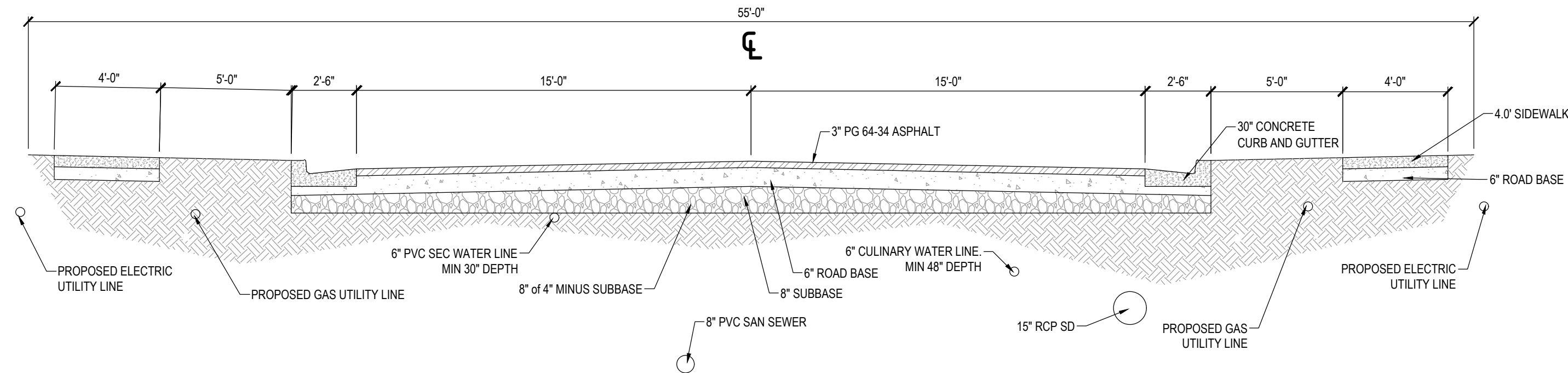
SCALE: NONE

2 STABILIZED CONSTRUCTION ENTRANCE

SCALE: NONE

3 CONCRETE WASTE MANAGEMENT

SCALE: NONE



5 55.0' ROAD CROSS SECTION

SCALE: NONE



| NO. | DATE | REVISION | BY |
|-----|------|------------|----|
| 1 | | FOR REVIEW | |
| 2 | | | |
| 3 | | | |
| 4 | | | |
| 5 | | | |
| 6 | | | |
| 7 | | | |
| 8 | | | |

DETAILS

PROJECT NUMBER: 9455
PRINT DATE: 5/19/20

DRAWN BY: J. MOSS
CHECKED BY: C. PRESTON

PROJECT MANAGER: C. PRESTON