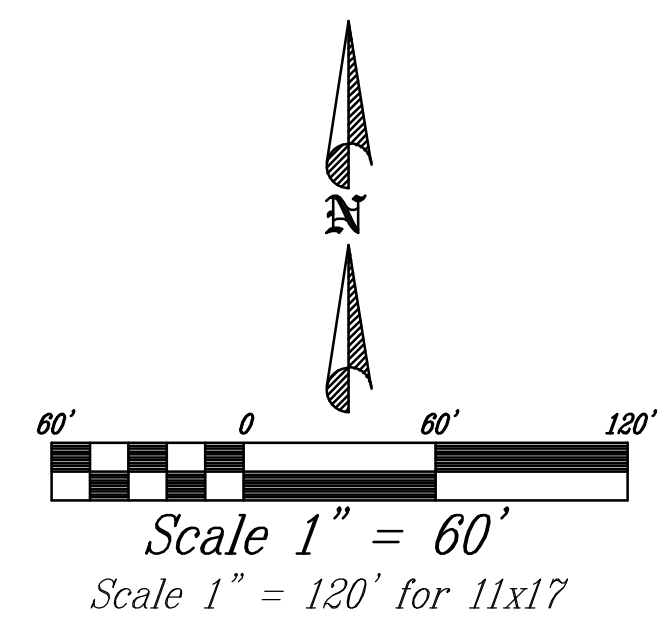




# WINSTON PARK SUBDIVISION CONCEPTUAL SITE PLAN

TREES	QTY	COMMON / BOTANICAL NAME	CONT	CAL
	100	Autumn Blaze Maple / Acer freemanii 'Autumn Blaze'	B&B	2" Cal
	65	Autumn Purple Ash / Fraxinus americana 'Autumn Purple'	B&B	2" Cal
	20	Canada Red Chokecherry / Prunus virginiana 'Canada Red'	B&B	2" Cal
	30	Common Hackberry / Celtis occidentalis	B&B	2" Cal
	40	Littleleaf Linden / Tilia cordata	B&B	2" Cal
	30	Shademaster Locust / Gleditsia triacanthos inermis 'Shademaster'™	B&B	2" Cal



WEBER COUNTY  
WINSTON PARK SUBDIVISION

CONCEPTUAL SITE PLAN

**berg**  
LANDSCAPE ARCHITECTS

380 E Main St, Suite 204  
Midway, UT 84049 ph. (801) 723-2000

DESIGN BY: CNB  
DRAWN BY: DAW

DATE: 2 DEC 2020  
REV:

SHEET  
**L1**