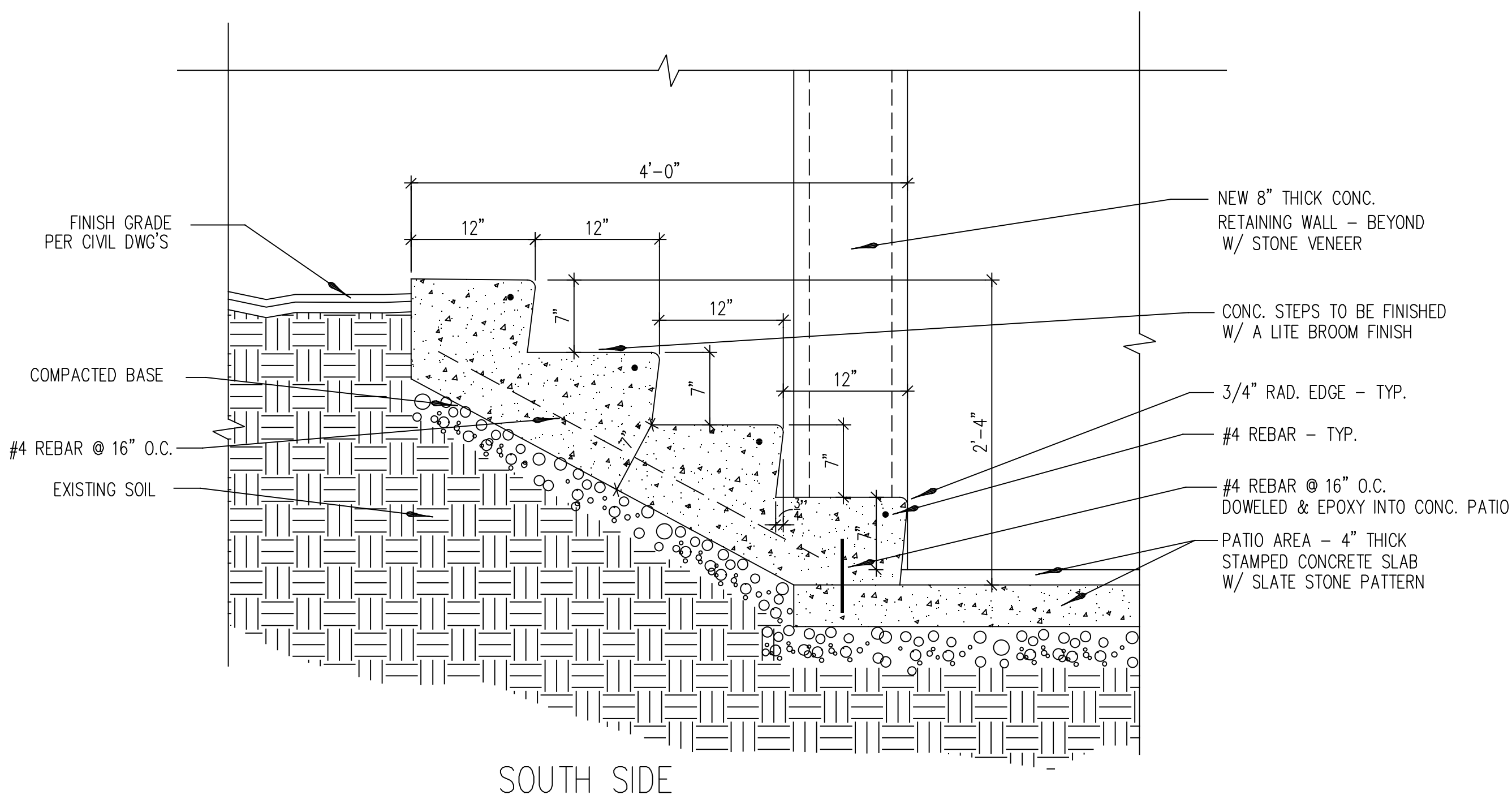
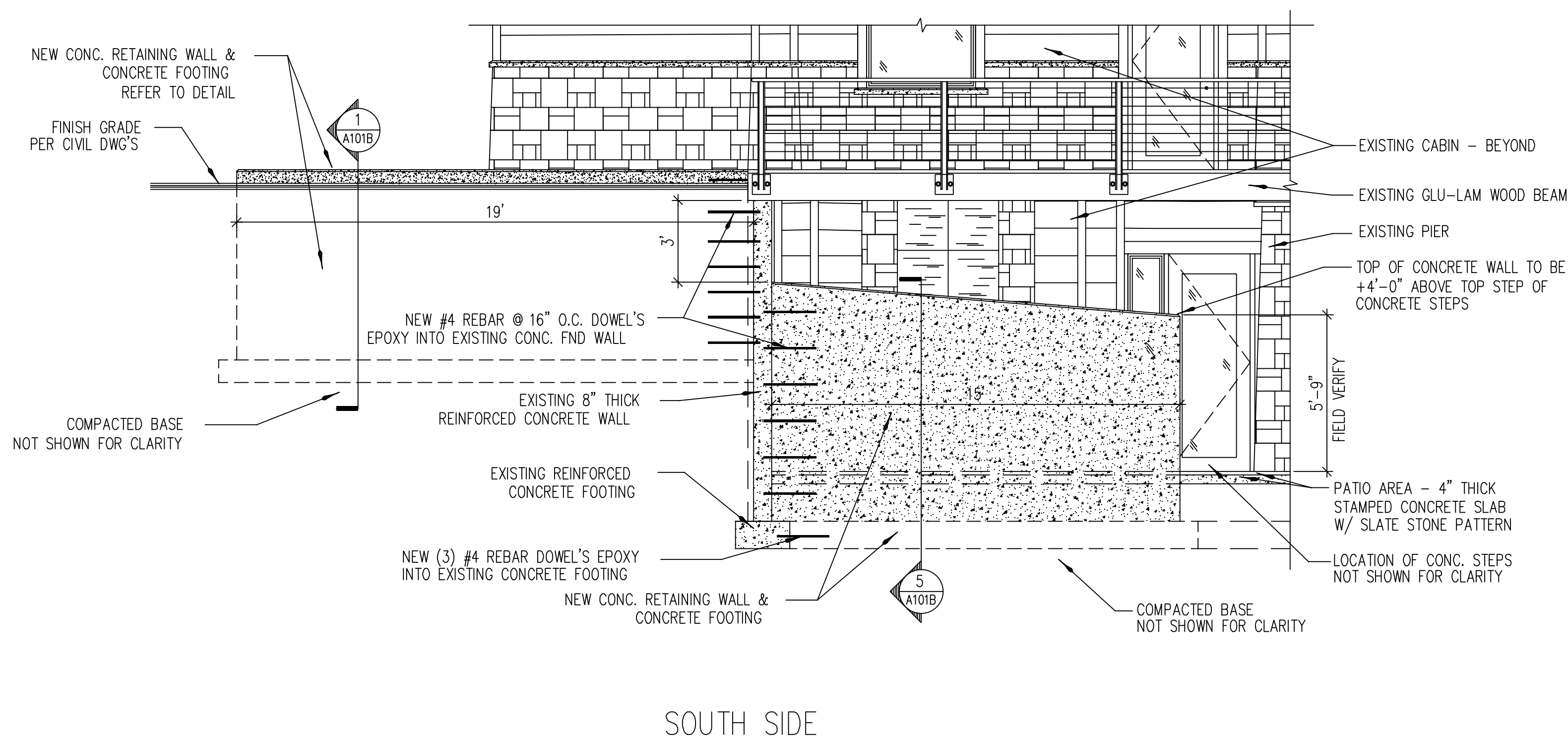


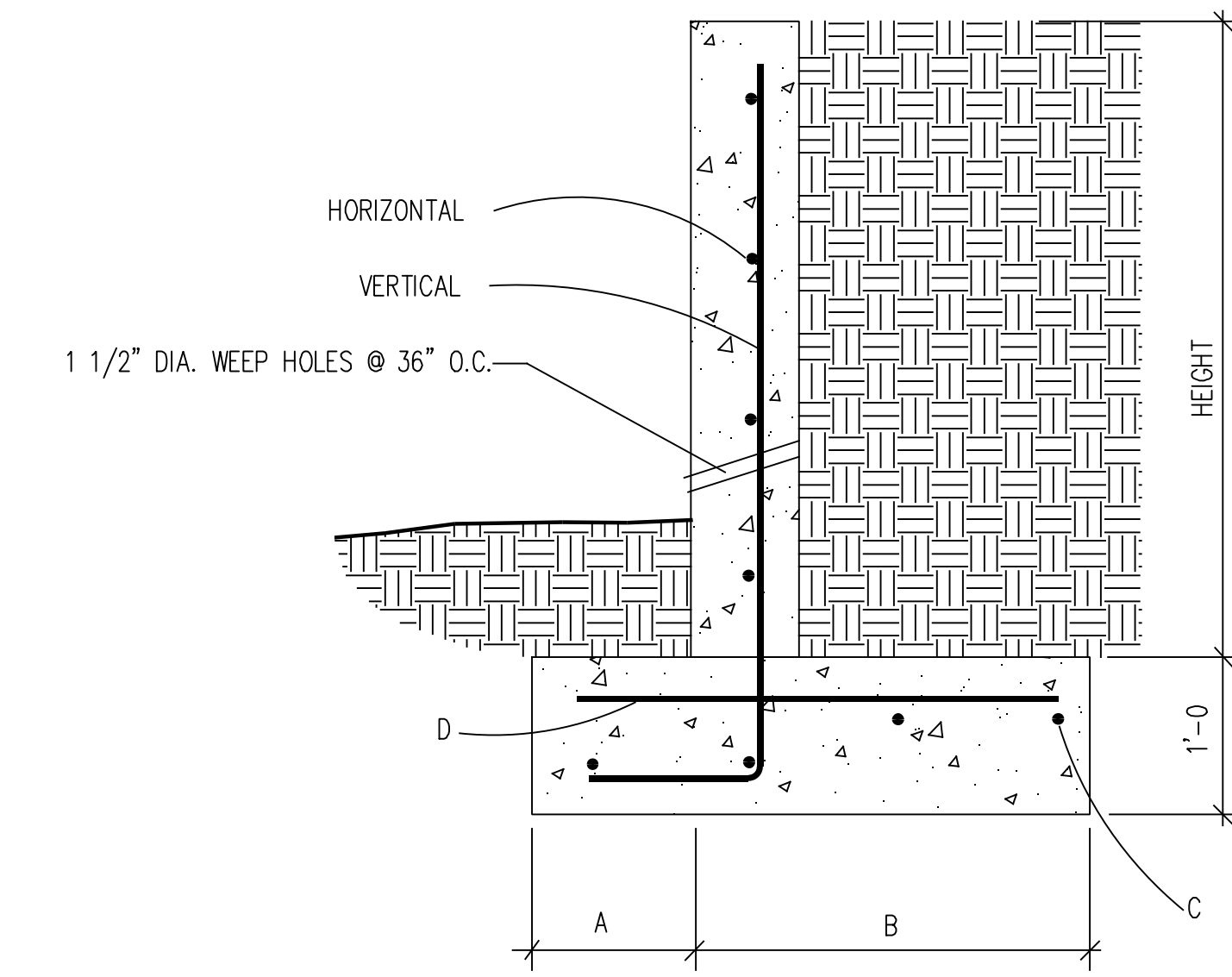
6 CONC. GRADE BEAM
 A101B SCALE: 1" = 1'-0"



4 CONC. STAIR SECTION
 A101B SCALE: 1" = 1'-0"

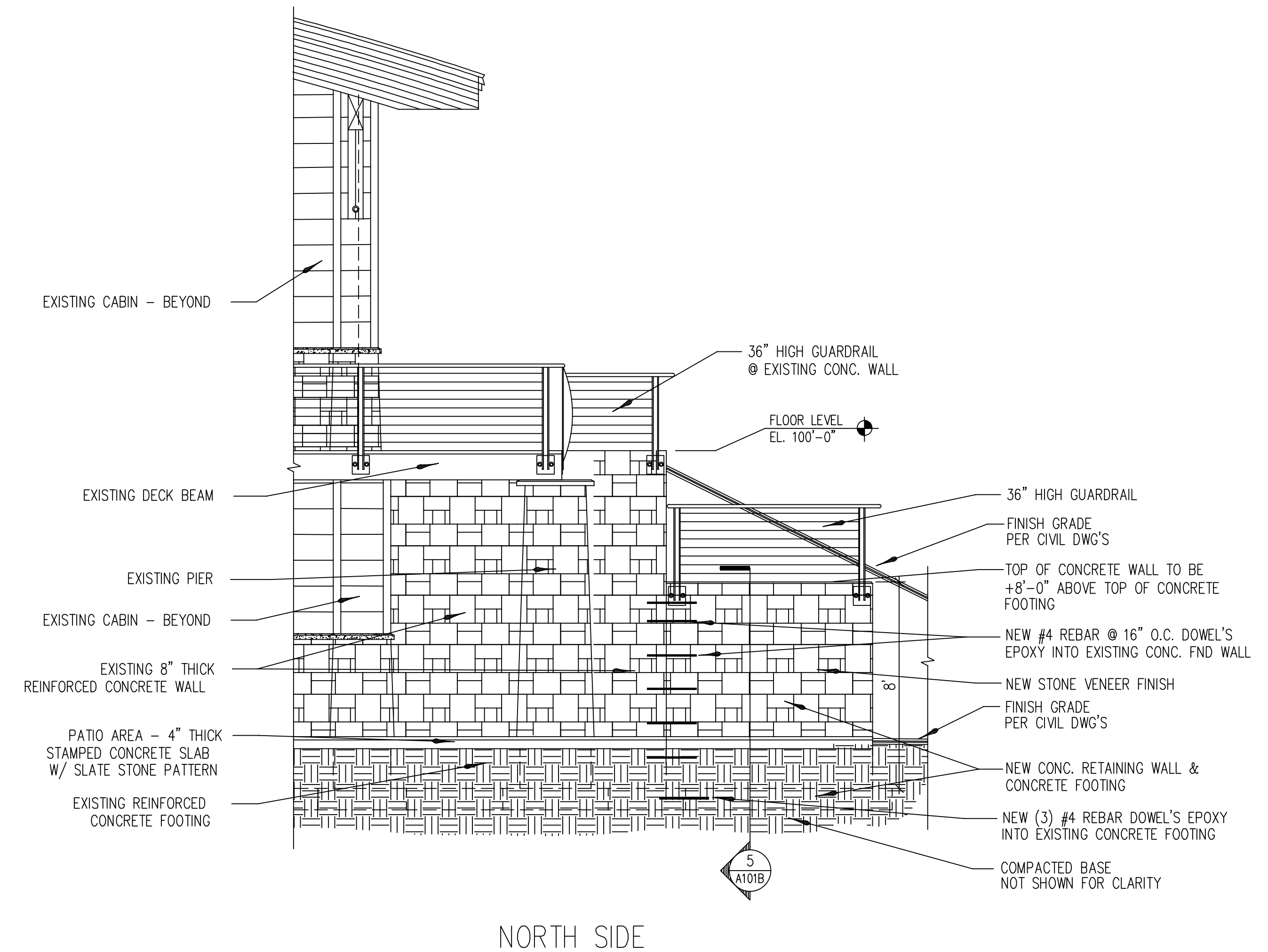


3 CONC. RETAINING WALL ELEVATION
 A101B SCALE: 1/4" = 1'-0"

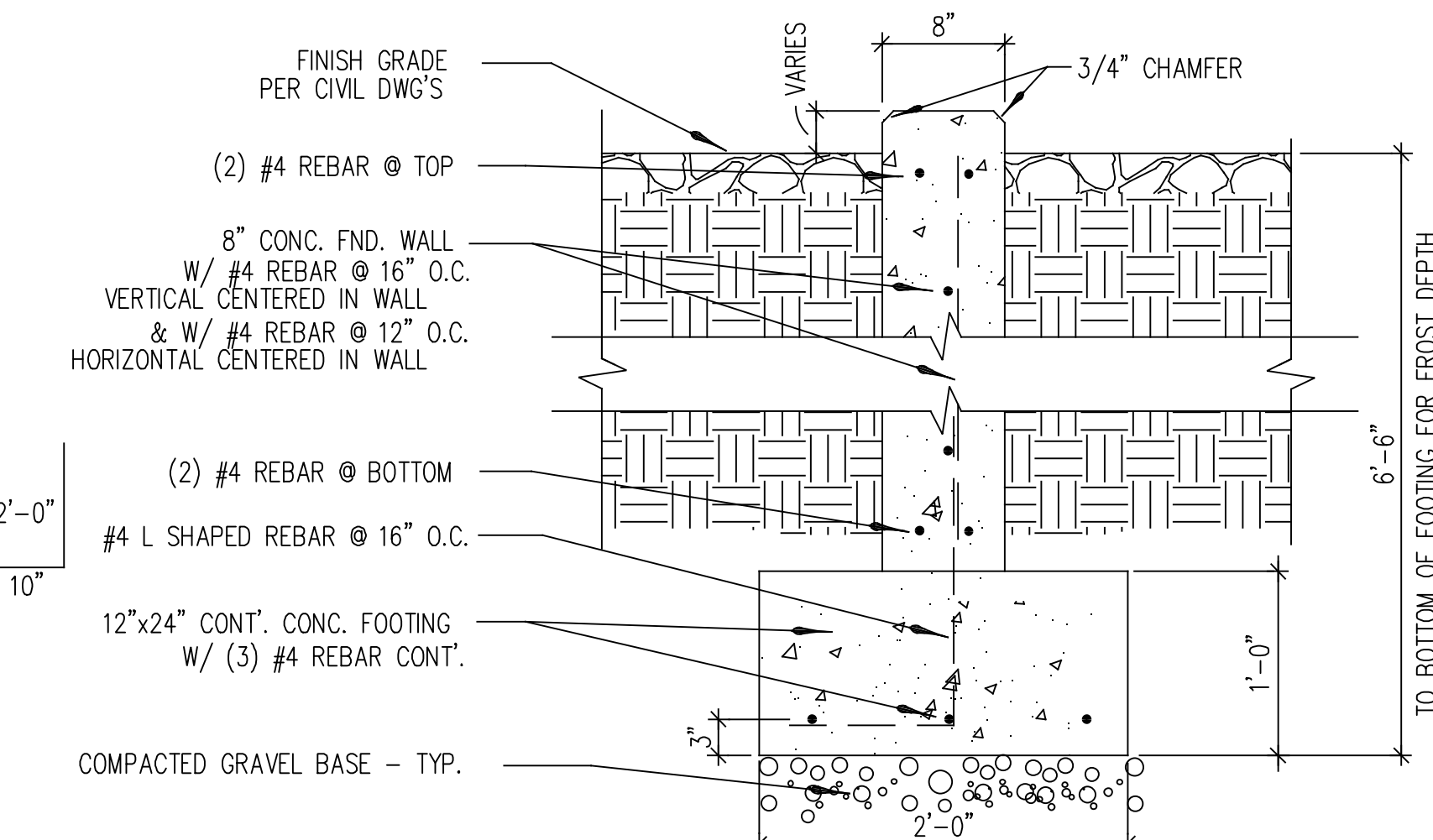


HEIGHT	SIZE	VERTICAL REINFORCING		HORIZONTAL REINFORCING		FOOTING REINFORCING D		FOOTING REINFORCING C		FOOTING			
		THICK	SIZE	SPACING	LOCATION	SIZE	SPACING	LOCATION	SIZE	SPACING	LOCATION	A	B
UP TO 4'-0"	8"	#4	16"		EARTH SIDE	#4	12"	EARTH SIDE	#4	12"	SEE DETAIL	8"	1'-4"
4'-0" TO 6'-0"	8"	#4	16"		EARTH SIDE	#4	12"	EARTH SIDE	#4	12"	SEE DETAIL	1'-0"	2'-0"
6'-0" TO 8'-0"	8"	#5	14"		EARTH SIDE	#4	12"	EARTH SIDE	#4	12"	SEE DETAIL	1'-6"	2'-9"
8'-0" TO 10'-0"	10"	#5	10"		EARTH SIDE	#4	10"	EARTH SIDE	#4	12"	SEE DETAIL	2'-0"	3'-9"
10'-0" TO 12'-0"	10"	#5	6"		EARTH SIDE	#4	10"	EARTH SIDE	#4	12"	SEE DETAIL	2'-6"	5'-0"

5 CONC. RETAINING WALL DETAIL
 A101B SCALE: NOT TO SCALE



2 CONC. RETAINING WALL ELEVATION
 A101B SCALE: 1/4" = 1'-0"



1 CONC. FOOTING/FOUNDATION SECTION
 A101B SCALE: 1" = 1'-0"

ADDENDUM #1
 ADDENDUM #2