

GENERAL NOTES

1. GENERAL CONTRACTOR TO CONFIRM DIMENSIONS ON-SITE. CONTACT ARCHITECT IF DISCREPANCY IS FOUND BETWEEN PLAN DIMENSIONS AND ON SITE DIMENSIONS, IN AS-BUILT CONDITIONS, OR WITHIN THESE DRAWINGS.

2. CLEAR / MIN. DIMENSIONS SPECIFIED MUST BE MAINTAINED FOR CODE COMPLIANCE OR FIXTURE REQUIREMENTS.

3. DO NOT SCALE DIMENSIONS OR FINISH HATCHES FROM THE DRAWINGS.

VICINITY PLAN

APPLICABLE BUILDING CODES

2018 UTAH BUILDING CODE
2015 UTAH RESIDENTIAL CODE
2015 IFC
2015 IFGC
2015 IMC
2015 UPC

AVERAGE GRADE CALCULATION

PROJECT DATA

PROJECT DESCRIPTION

NEW 1-STORY SINGLE FAMILY RESIDENCE

TAX PARCEL NUMBER

LEGAL DESCRIPTION

ENERGY SUMMARY

COMPLY WITH STATE REQUIREMENTS

VERTICAL GLAZING: U = 0.30 MAX
GLAZED DOORS: U = 0.30 MAX
SOLID DOORS: U = 0.XX MAX
ABOVE GRADE WALLS: R = 21 MIN + R-10 HEADERS
FRAMED FLOORS: R = 38 MIN
ROOF: R = 38 MIN

WHOLE HOUSE VENTILATION

UTILITY ROOM: 90 CFM CONTINUOUS THROUGHPUT @ 2.8 CFM/WATT EFFICACY

SOURCE SPECIFIC VENTILATION & EXHAUST

BATHROOMS: 50 CFM MIN. THROUGHPUT @ 1.4 CFM/WATT EFFICACY
KITCHEN: 400 CFM MIN. THROUGHPUT @ 2.8 CFM/WATT EFFICACY

SITE DEVELOPMENT

LOT SLOPE TBD

LOT COVERAGE TBD

GROSS FLOOR AREA 2245 SF (APPROX)

SHEET INDEX

PROJECT INFO, SITE PLAN, & SCHEDULES

A001 INDEX, ABBREVIATIONS, & SYMBOLS
A002 ARCHITECTURAL NOTES
A101 SITE PLAN

PLANS

A200 FOUNDATION PLAN
A201 FIRST FLOOR PLAN
A201.1 FOUNDATION ALT PLAN
A202 ROOF PLAN

ELEVATIONS

A301 ELEVATIONS (TYP)
A302 ELEVATIONS (TYP)
A303 CABIN 1 ELEVATIONS
A304 CABIN 1 ELEVATIONS
A305 CABIN 2 ELEVATIONS
A306 CABIN 2 ELEVATIONS

SECTIONS

A401 SECTIONS (TYP)
A402 SECTIONS CABIN 1 & 2

DETAILS

A601 ARCHITECTURAL DETAILS

DOOR & WINDOW DETAILS & SCHEDULES

A701 WINDOW & DOOR DETAILS
A702 WINDOW & DOOR SCHEDULES

ELECTRICAL

E201 ELECTRICAL PLAN

STRUCTURAL

S-1.1 STRUCTURAL TITLE SHEET
S-1.2 STRUCTURAL SPECIFICATIONS
S-2.1 SITE FOUNDATION & FLOOR MARRIAGE PLAN
S-2.1A SITE FOUNDATION & FLOOR MARRIAGE PLAN (ALTERNATE)
S-2.2 ROOF MARRIAGE PLAN
S-3.1 MODULAR FLOOR FRAMING PLAN
S-3.2 MODULAR ROOF FRAMING PLAN
S-5.1 SITE BUILT & MARRIAGE STRUCTURAL DETAILS
S-6.1 MODULAR STRUCTURAL DETAILS

PROJECT DIRECTORY

SITE ADDRESS

TBD

OWNER

Whisper Ridge Backcountry Resort
4776 East 2600 North
Eden, UT 84310

ARCHITECT

PBW Architects, Inc.
Contact: Genevieve Olejnik
224 W Galer St.
Seattle, WA 98119
e: genevieve@pbwarchitects.com
p: 206.283.9930

MODULAR CONTRACTOR

Method Homes
Contact: Ben Stanton
95 Yesler Way, Ste 300
Seattle, WA 98104
e: ben@methodhomes.net
p: 206.789.5553

STRUCTURAL ENGINEER

Ashely & Vance Engineering
Contact: Jordan Denio
7530 Longley Lne, Ste 105
Reno, NV 89531
e: jordan@ashleyvance.com
p: 775.825.4945

0708.2.12 WHISPER RIDGE

ADDRESS
ADDRESS

PROJECT ARCHITECT SDK

PROJECT NUMBER 0708.2.12

DATE 4/22/20

REVISIONS

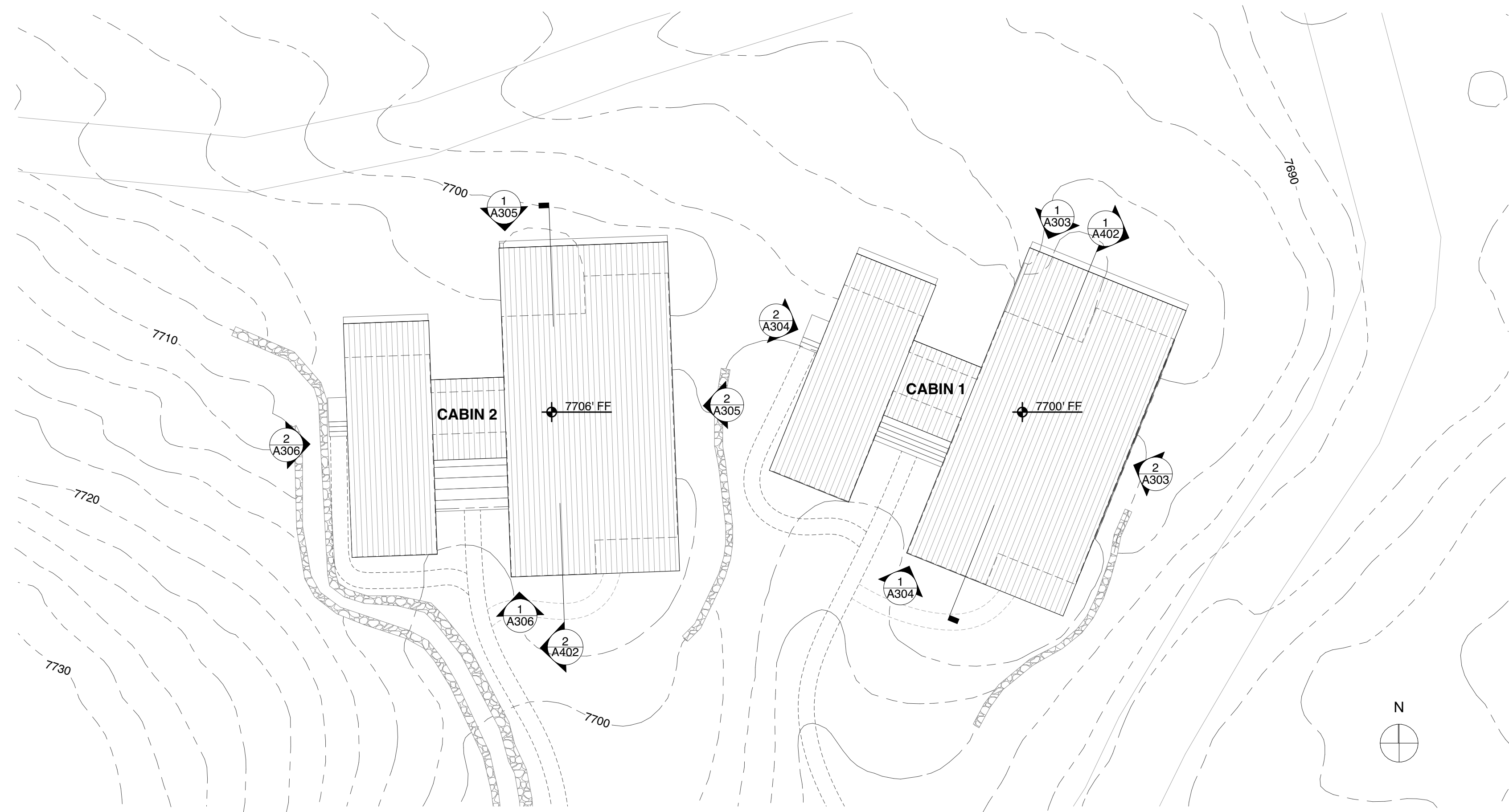
NO. DATE DESC.

UPDATE SET
INDEX, ABBREVIATIONS, &
SYMBOLS

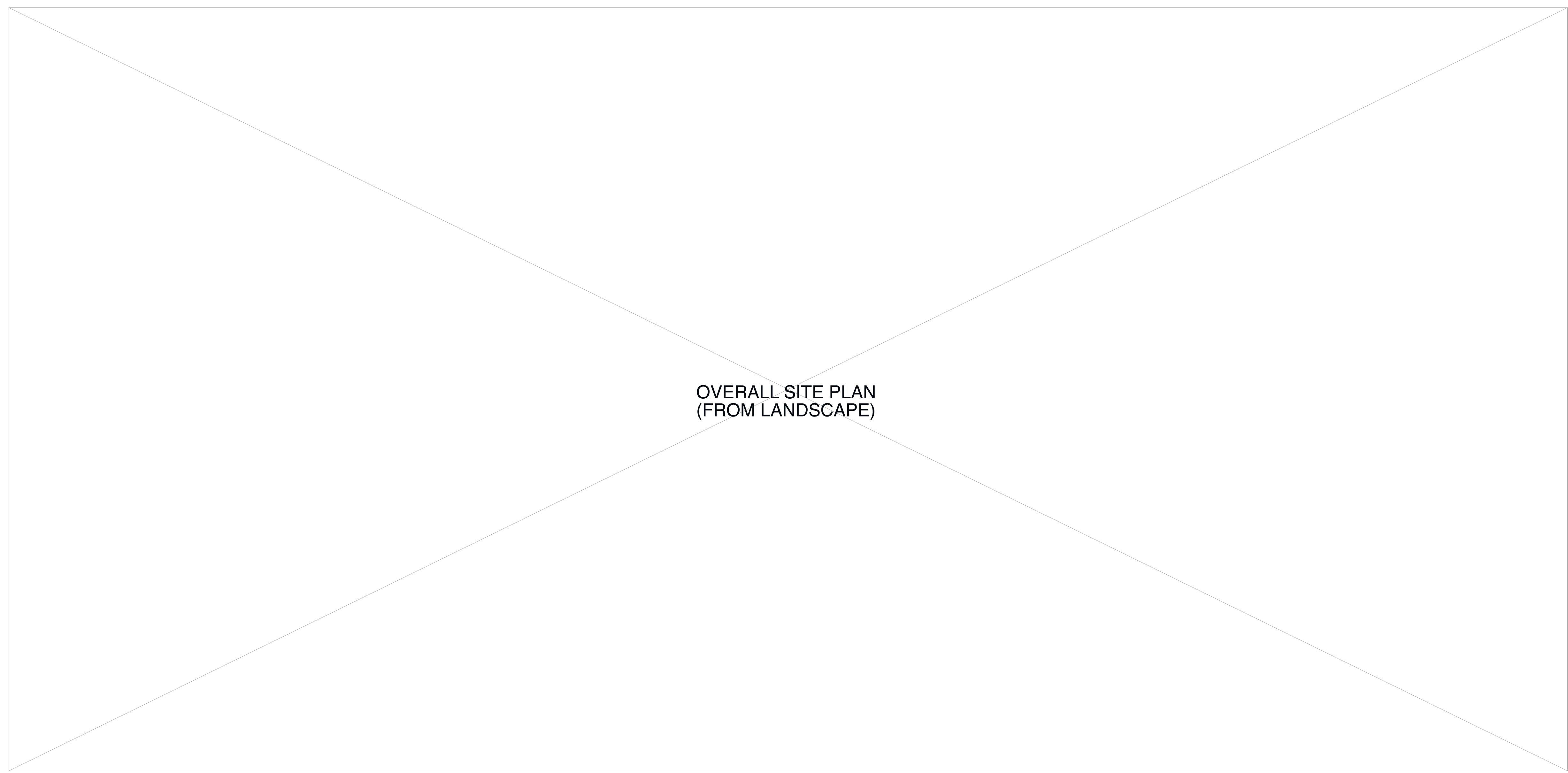
A001

prentiss + balance + wickline
ARCHITECTS

224 west galer | seattle, wa 98119 | 206.283.9930 | pbwarchitects.com
104 riverside ave ste. c | winthrop, wa 98862 | 509.996.8148



1 ENLARGED SITE PLAN - CABINS 1 & 2
SCALE: 1/16" = 1'-0"



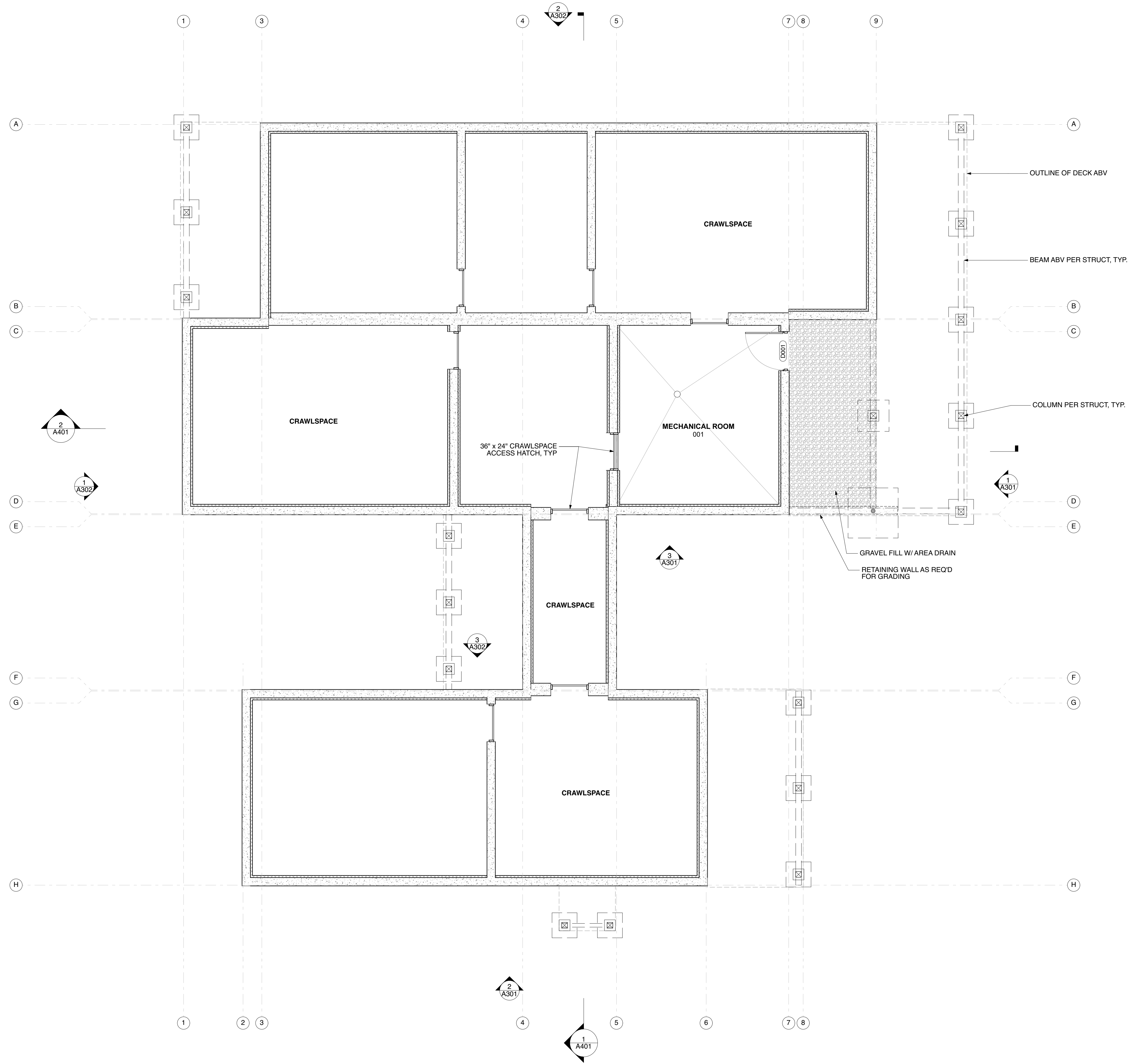
0708.2.12 WHISPER RIDGE

PROJECT ARCHITECT: SDK
 PROJECT NUMBER: 0708.2.12
 DATE: 4/22/20

REVISIONS

NO.	DATE	DESC.

UPDATE SET
 SITE PLAN



0708.2.12 WHISPER RIDGE
 ADDRESS
 ADDRESS

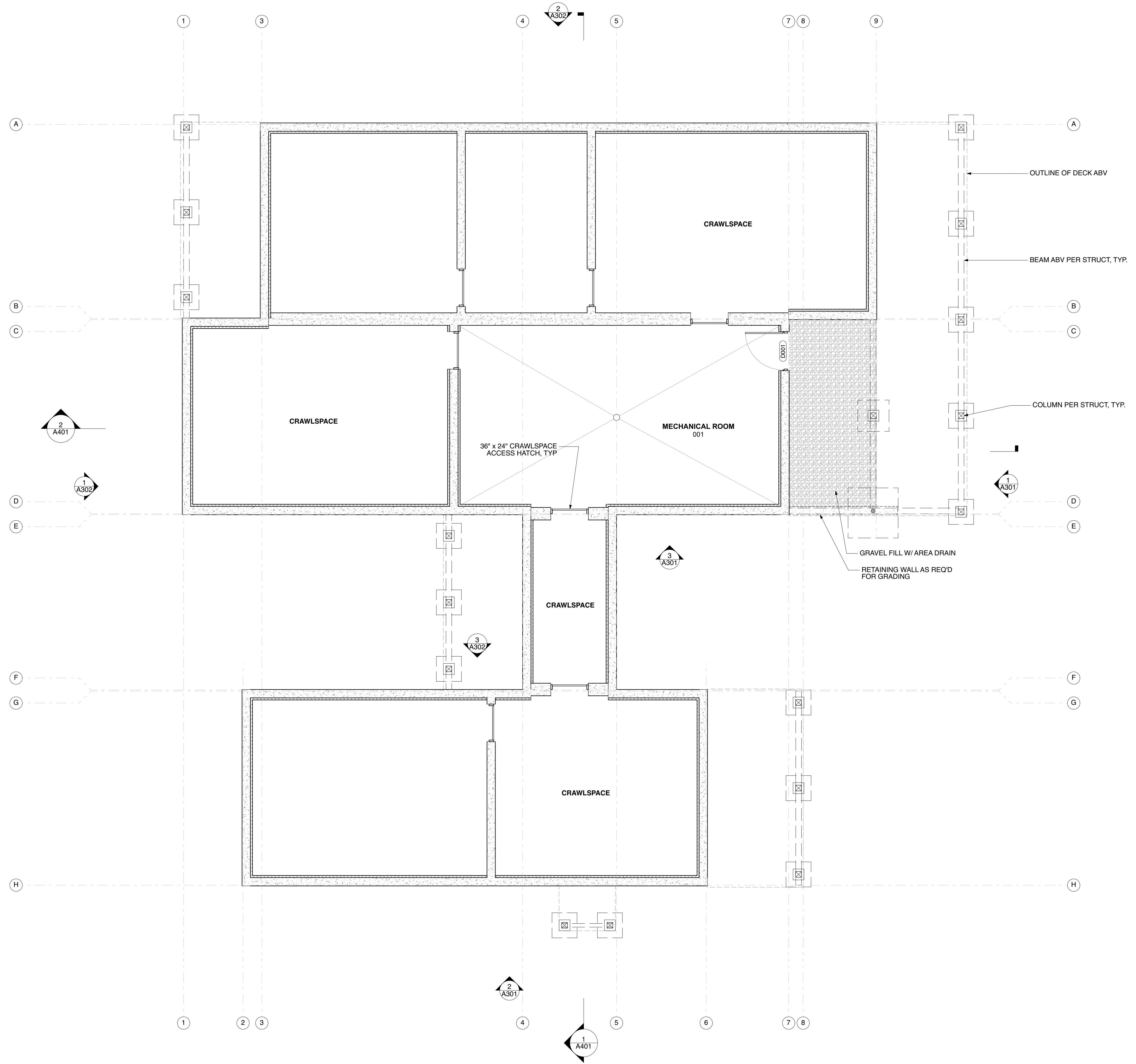
PROJECT ARCHITECT: SDK
 PROJECT NUMBER: 0708.2.12
 DATE: 4/22/20

REVISIONS

NO.	DATE	DESC.

UPDATE SET
 FOUNDATION PLAN

1 FOUNDATION
 SCALE: 1/4" = 1'-0"



0708.2.12 WHISPER RIDGE
 ADDRESS
 ADDRESS

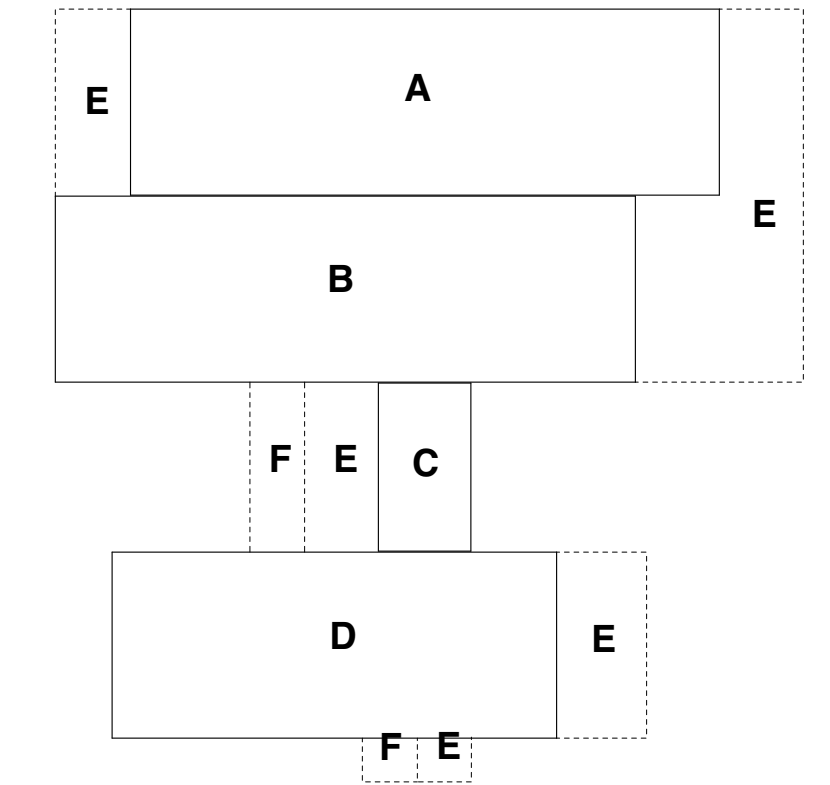
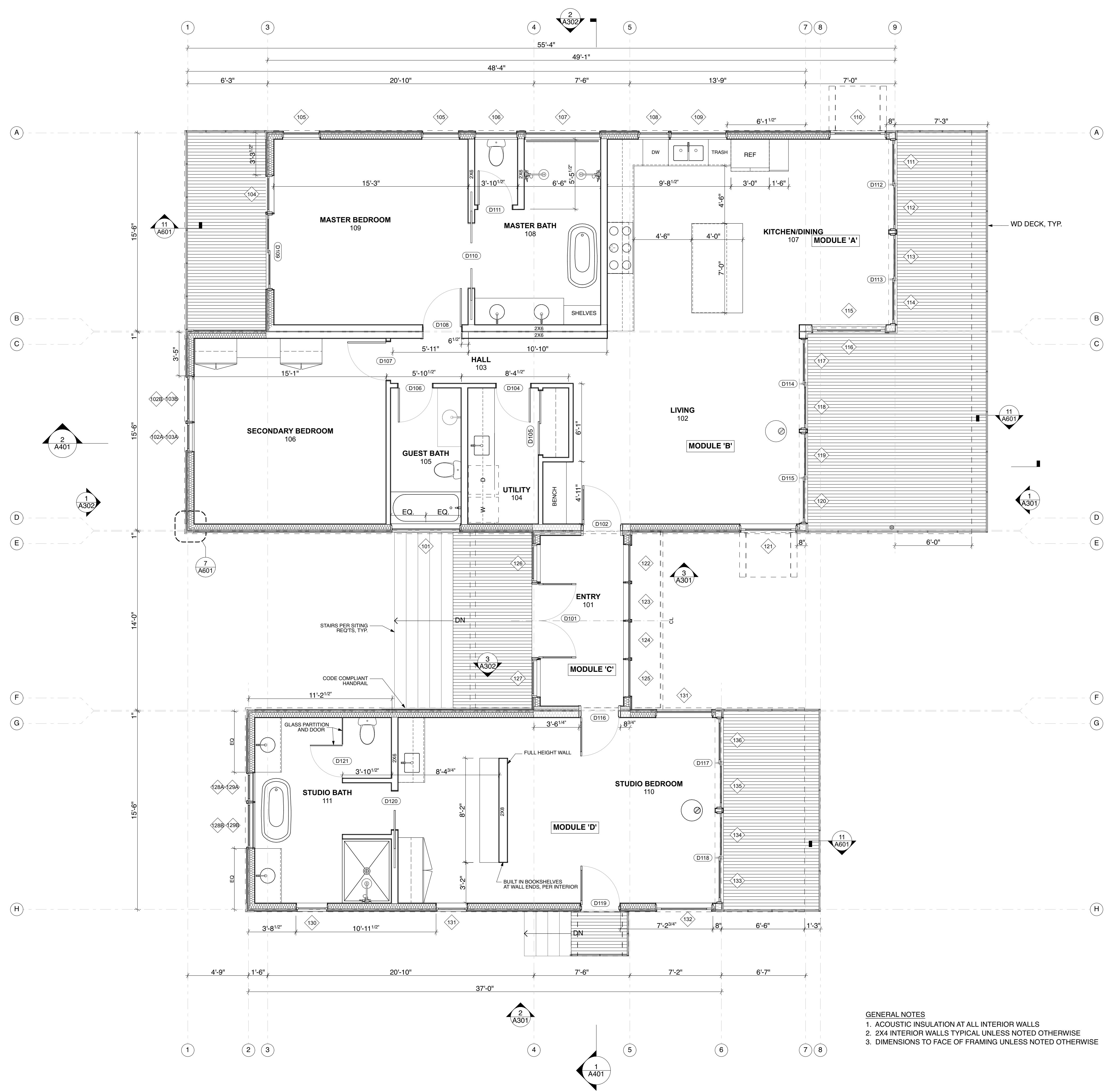
PROJECT ARCHITECT SDK
 PROJECT NUMBER 0708.2.12
 DATE 4/22/20

REVISIONS

NO.	DATE	DESC.

UPDATE SET
 FOUNDATION ALT PLAN

1 FOUNDATION ALTERNATE - CABIN 1
 SCALE: 1/4" = 1'-0"



KEY
 A - FACTORY BUILT MASTER MODULE
 B - FACTORY BUILT SECONDARY MODULE
 C - FACTORY BUILT ENTRY MODULE
 D - FACTORY BUILT STUDIO MODULE
 E - SITE BUILT DECKS
 F - SITE BUILT STAIRS

2 KEY PLAN - MODULAR/SITE BUILT
 SCALE: 1/16" = 1'-0"

1 FIRST FLOOR
 SCALE: 1/4" = 1'-0"

GENERAL NOTES
 1. ACOUSTIC INSULATION AT ALL INTERIOR WALLS
 2. 2X4 INTERIOR WALLS TYPICAL UNLESS NOTED OTHERWISE
 3. DIMENSIONS TO FACE OF FRAMING UNLESS NOTED OTHERWISE

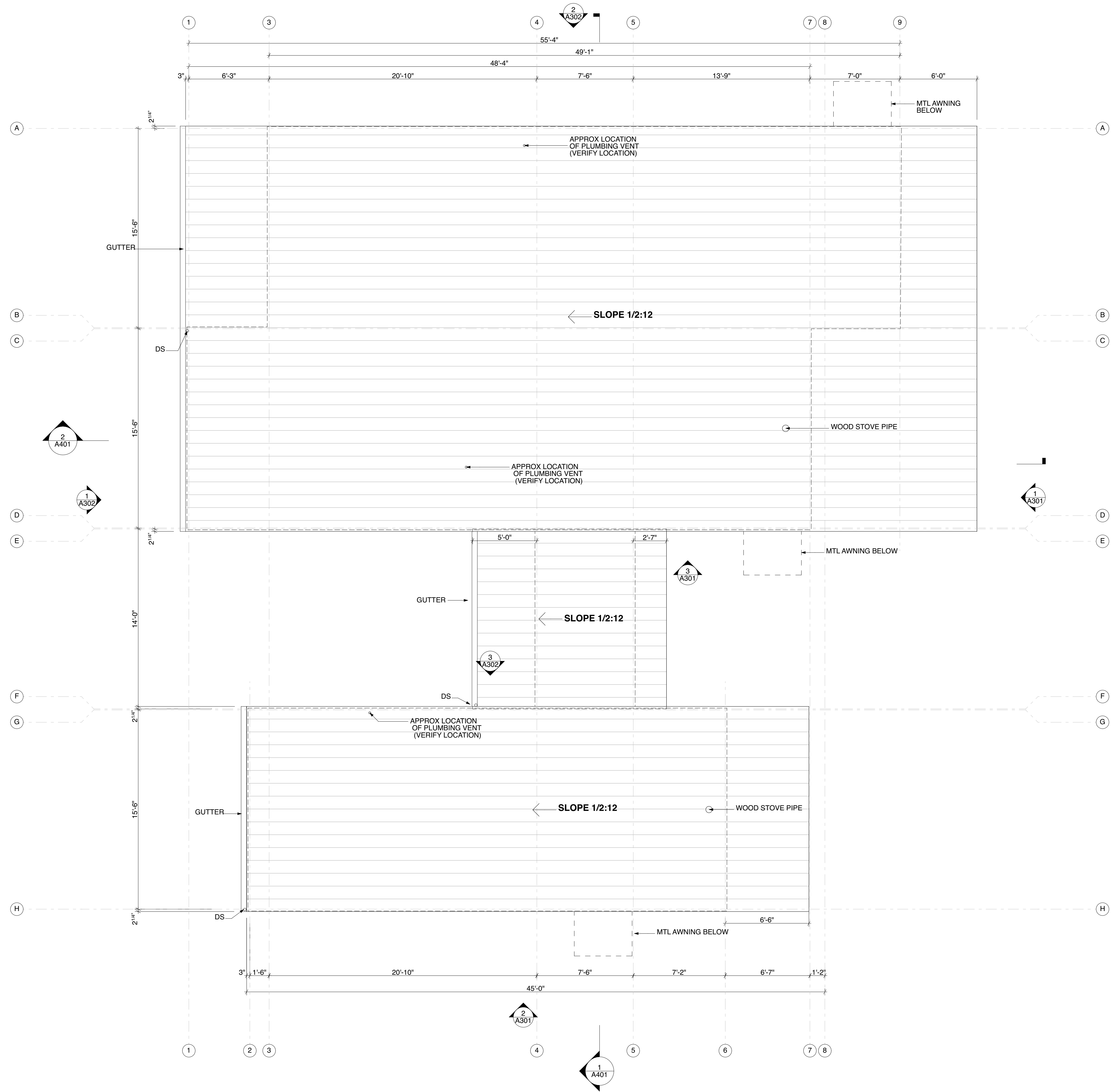
0708.2.12 WHISPER RIDGE
 ADDRESS
 ADDRESS

PROJECT ARCHITECT SDK
 PROJECT NUMBER 0708.2.12
 DATE 4/22/20

REVISIONS

NO.	DATE	DESC.

UPDATE SET
 FIRST FLOOR PLAN



1 ROOF
SCALE: 1/4" = 1'-0"

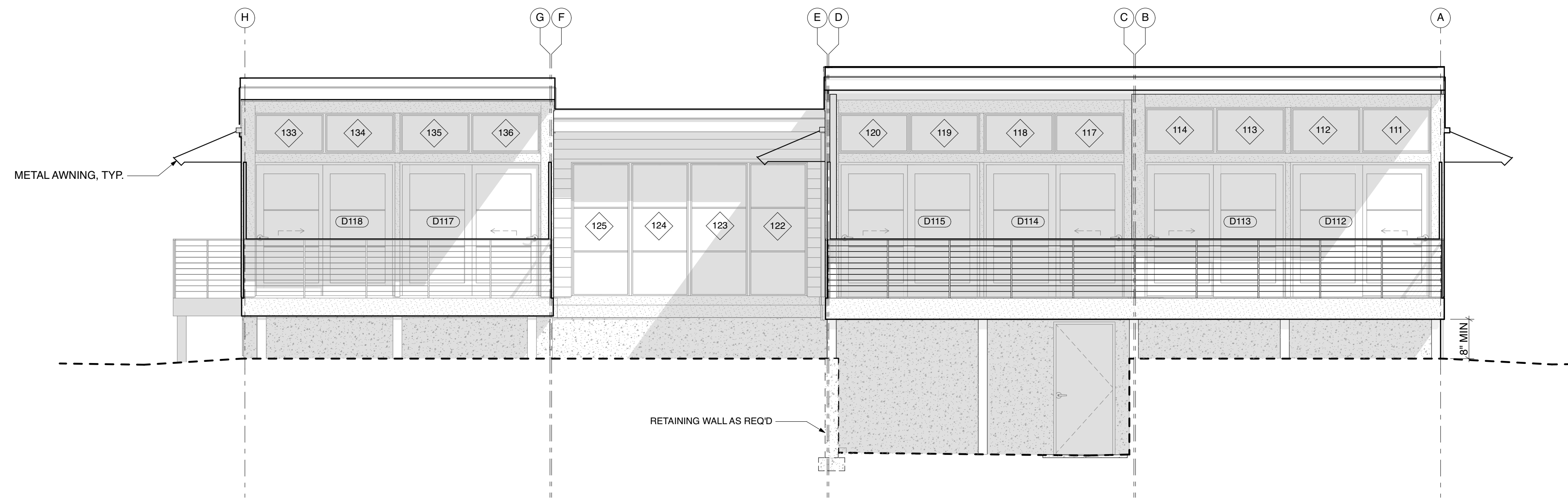
0708.2.12 WHISPER RIDGE
 ADDRESS
 ADDRESS

PROJECT ARCHITECT SDK
 PROJECT NUMBER 0708.2.12
 DATE 4/22/20

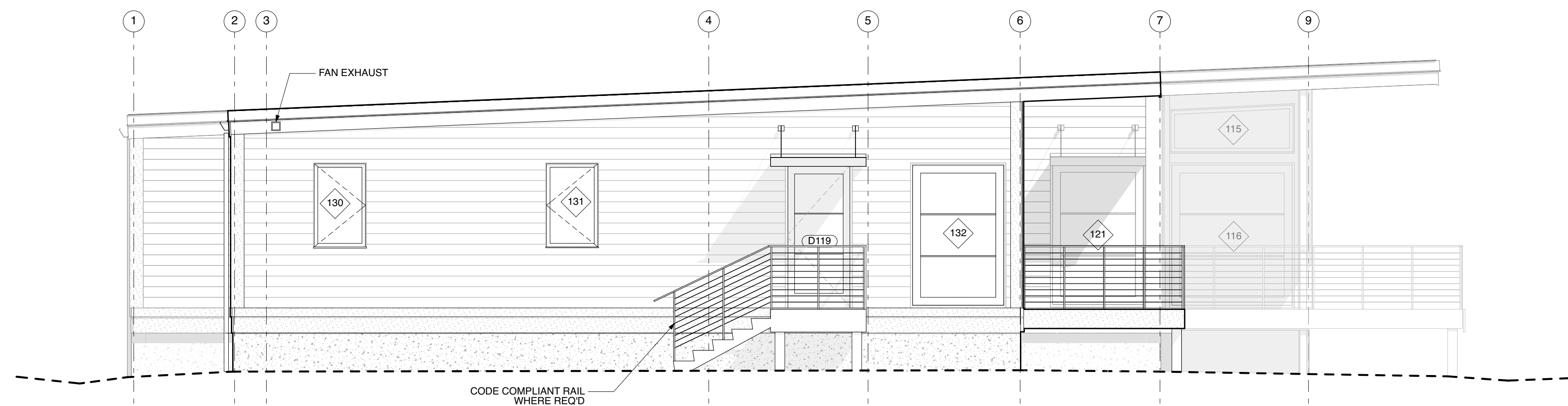
REVISIONS

NO.	DATE	DESC.

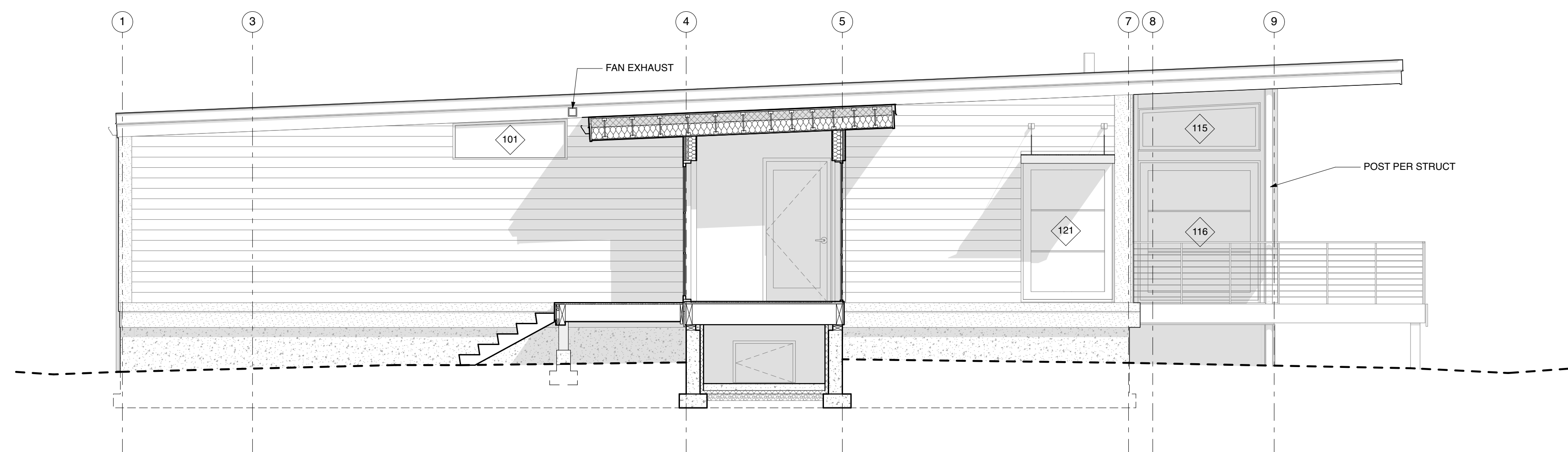
UPDATE SET
 ROOF PLAN



1 NORTH ELEVATION, TYP. - SEE CABIN ELEVATIONS FOR SITING
SCALE: 1/4" = 1'-0"



2 EAST ELEVATION, TYP. - SEE CABIN ELEVATIONS FOR SITING
SCALE: 1/4" = 1'-0"



3 EAST SECTION/ELEVATION, TYP. - SEE CABIN ELEVATIONS FOR SITING
SCALE: 1/4" = 1'-0"

0708.2.12 WHISPER RIDGE
 ADDRESS
 ADDRESS

PROJECT ARCHITECT SDK
 PROJECT NUMBER 0708.2.12
 DATE 4/22/20

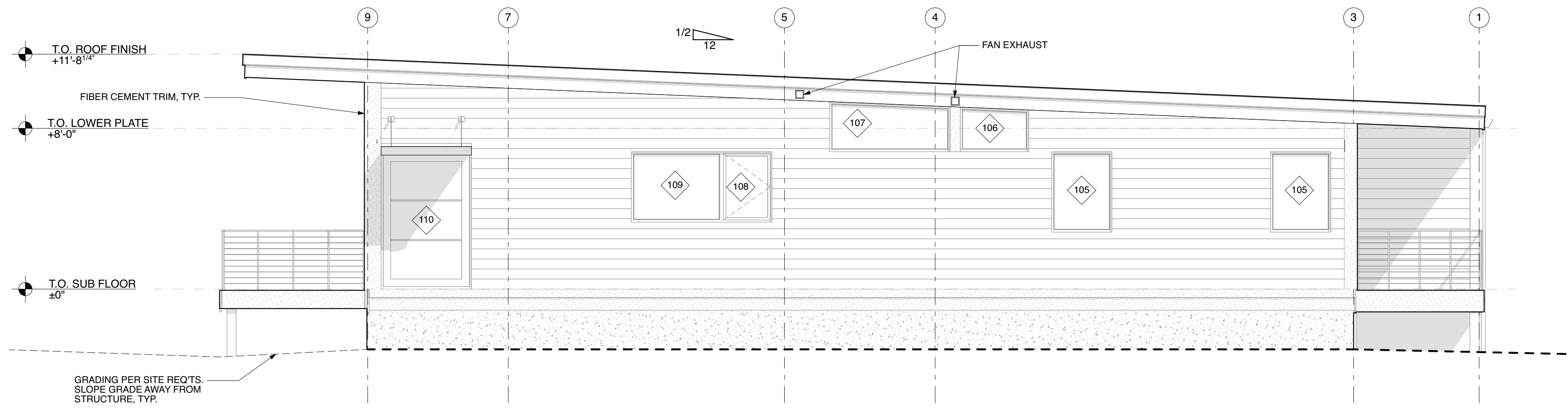
REVISIONS

NO.	DATE	DESC.

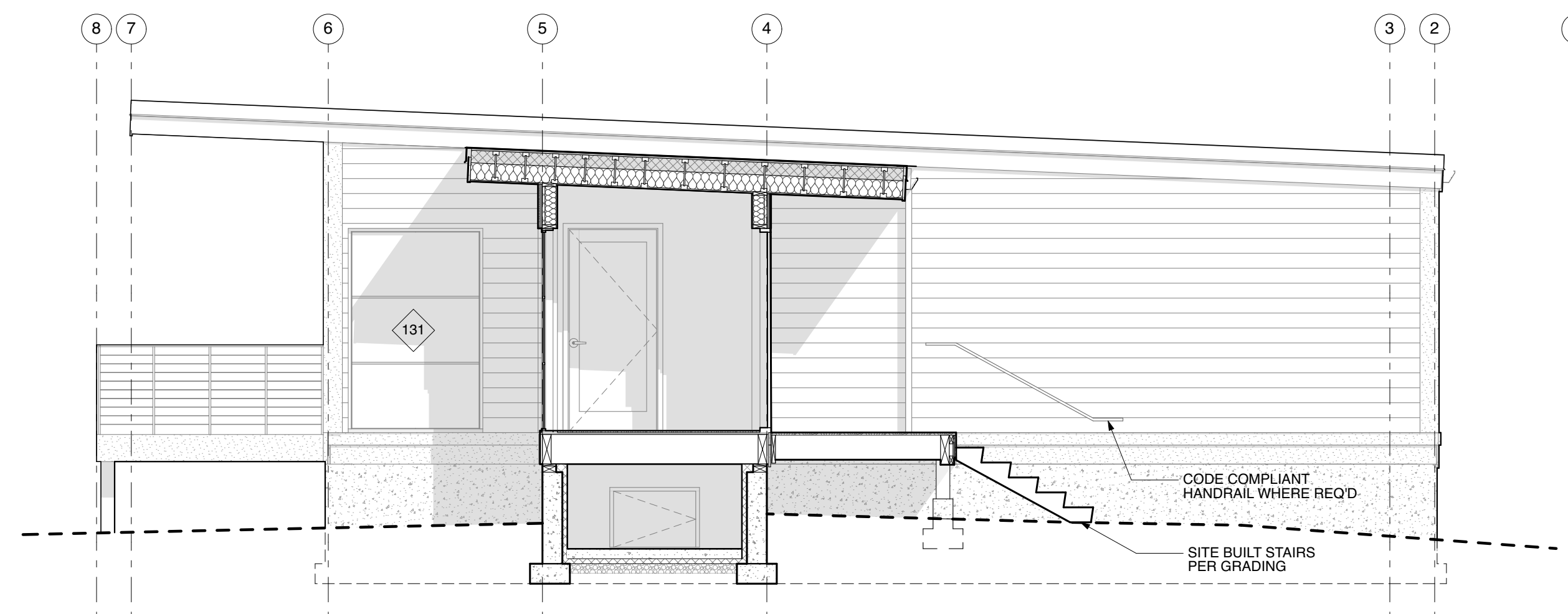
UPDATE SET
 ELEVATIONS (TYP)



1 SOUTH ELEVATION, TYP. - SEE CABIN ELEVATIONS FOR SITING
SCALE: 1/4" = 1'-0"



2 WEST ELEVATION, TYP. - SEE CABIN ELEVATIONS FOR SITING
SCALE: 1/4" = 1'-0"



3 WEST SECTION/ELEVATION, TYP. - SEE CABIN ELEVATIONS FOR SITING
SCALE: 1/4" = 1'-0"

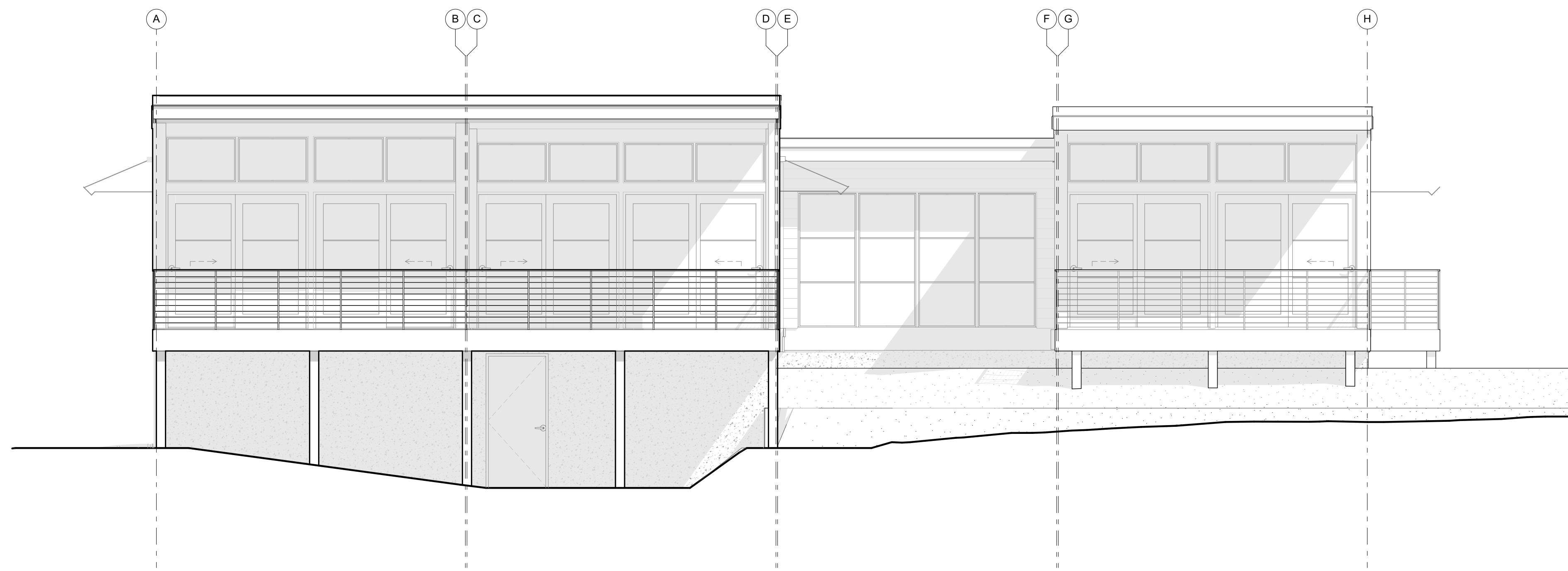
0708.2.12 WHISPER RIDGE
ADDRESS
ADDRESS

PROJECT ARCHITECT SDK
PROJECT NUMBER 0708.2.12
DATE 4/22/20

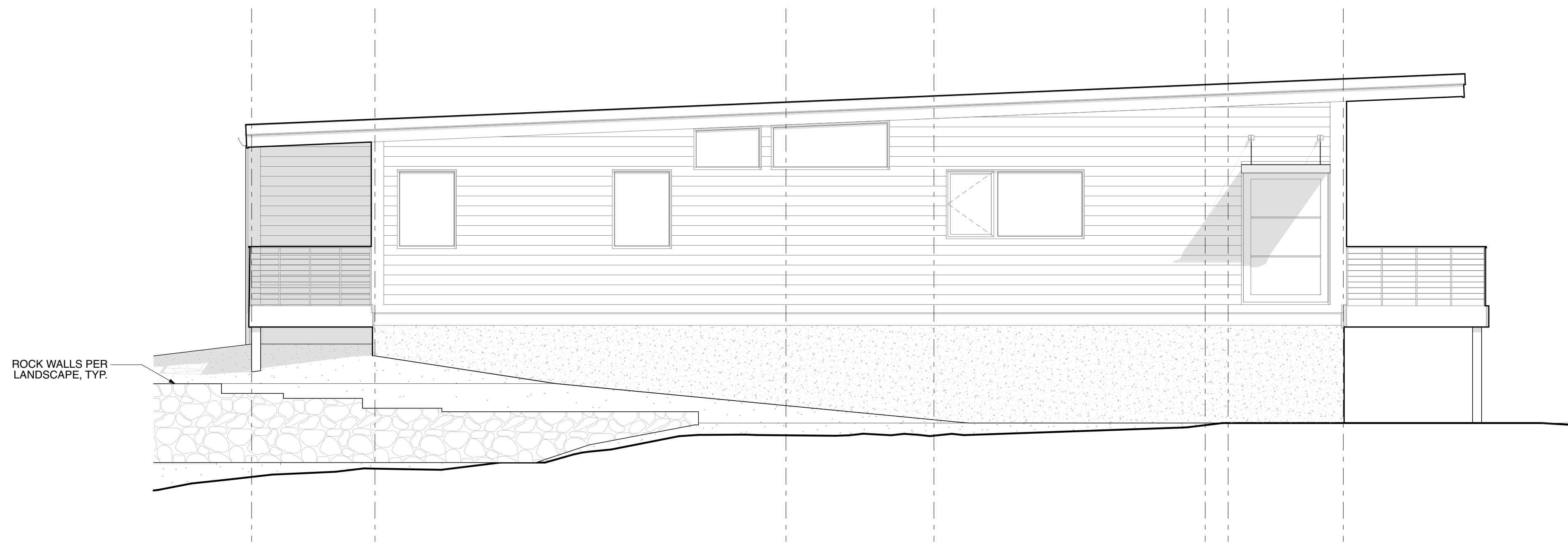
REVISIONS

NO.	DATE	DESC.

UPDATE SET
ELEVATIONS (TYP)



1 NORTH ELEVATION - CABIN 1 SITING. SEE A301.
SCALE: 1/4" = 1'-0"



2 EAST ELEVATION - CABIN 1 SITING. SEE A301.
SCALE: 1/4" = 1'-0"

0708.2.12 WHISPER RIDGE

PROJECT ARCHITECT SDK
PROJECT NUMBER 0708.2.12
DATE 4/22/20

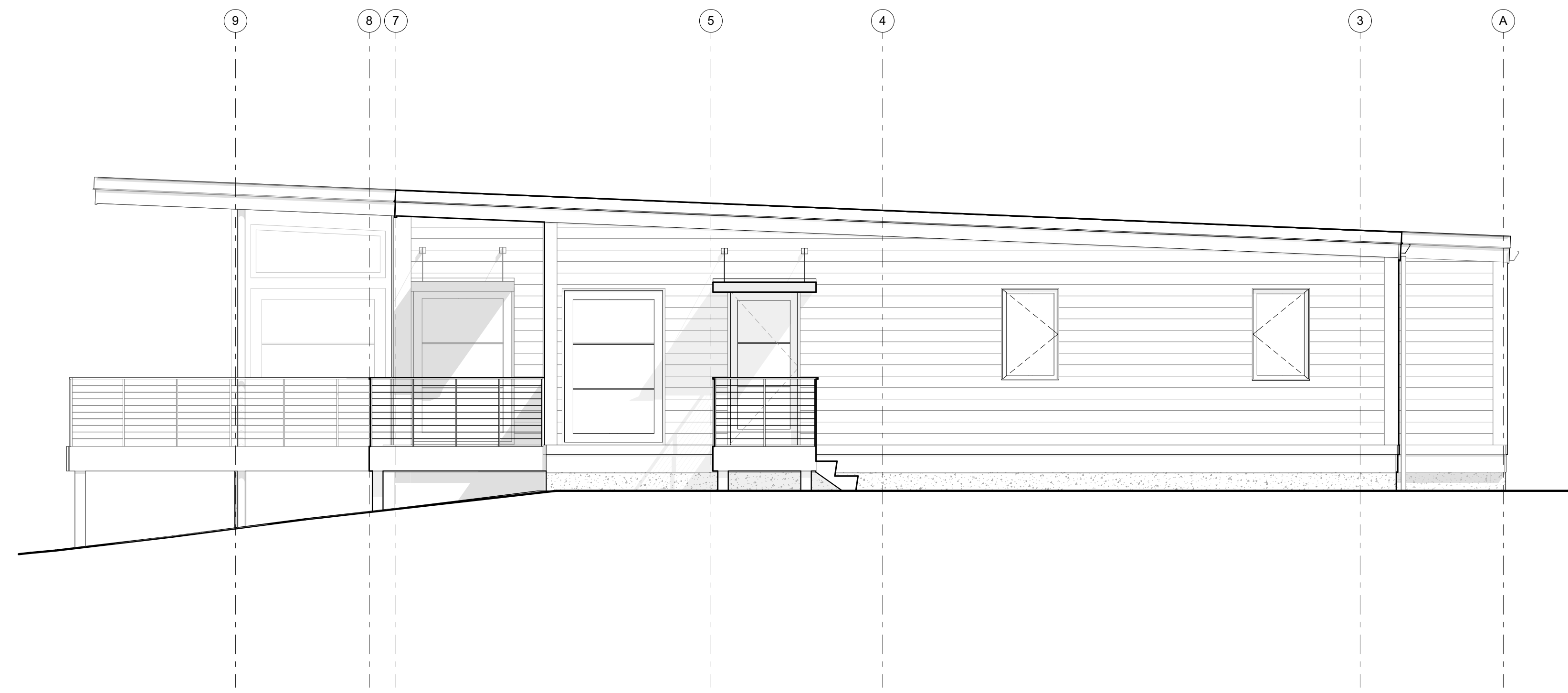
REVISIONS

NO.	DATE	DESC.

UPDATE SET
ELEVATIONS CABIN 1



1 SOUTH ELEVATION - CABIN 1 SITING. SEE A302.
 SCALE: 1/4" = 1'-0"



2 WEST ELEVATION - CABIN 1 SITING. SEE A302.
 SCALE: 1/4" = 1'-0"

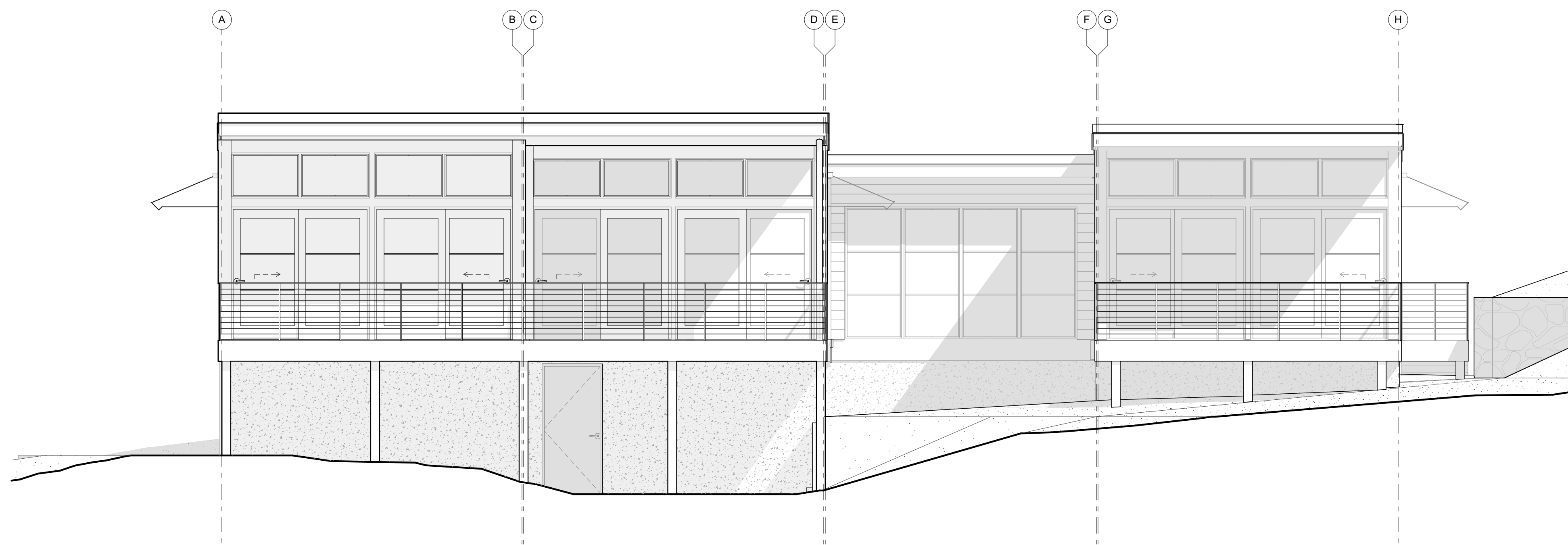
0708.2.12 WHISPER RIDGE

PROJECT ARCHITECT SDK
 PROJECT NUMBER 0708.2.12
 DATE 4/22/20

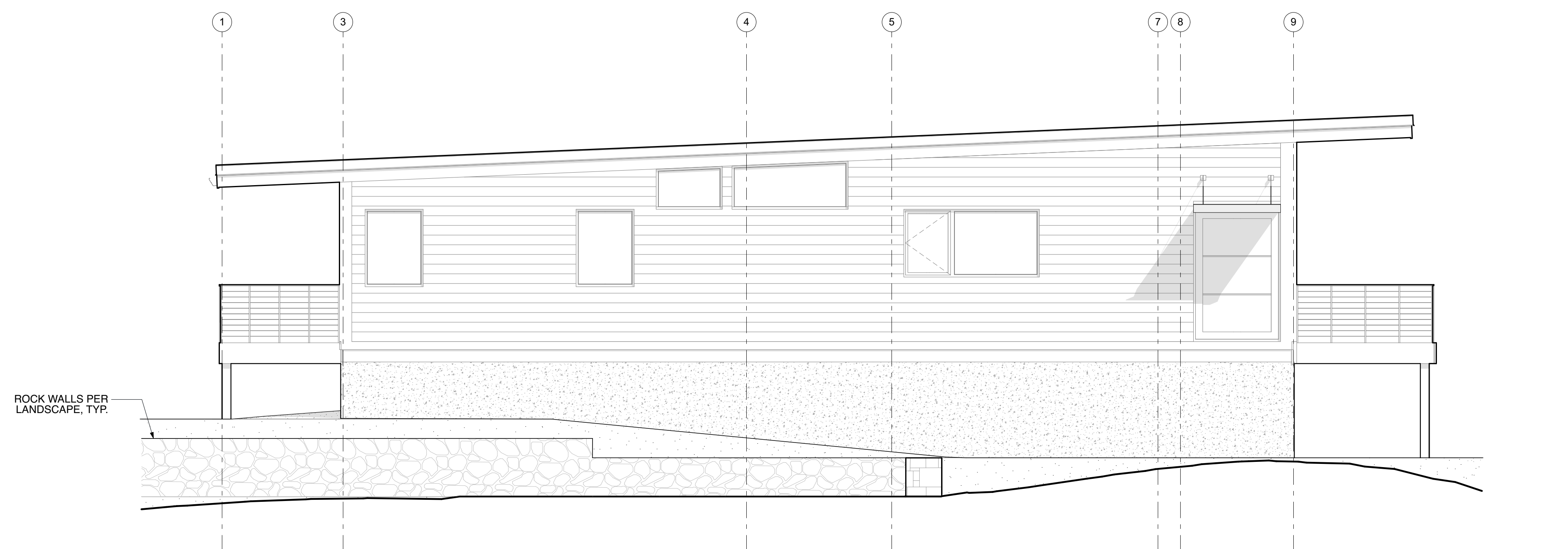
REVISIONS

NO.	DATE	DESC.

UPDATE SET
 ELEVATIONS CABIN 1



1 NORTH ELEVATION - CABIN 2 SITING. SEE A301.
SCALE: 1/4" = 1'-0"



2 EAST ELEVATION - CABIN 2 SITING. SEE A301.
SCALE: 1/4" = 1'-0"

0708.2.12 WHISPER RIDGE

PROJECT ARCHITECT SDK
 PROJECT NUMBER 0708.2.12
 DATE 4/22/20

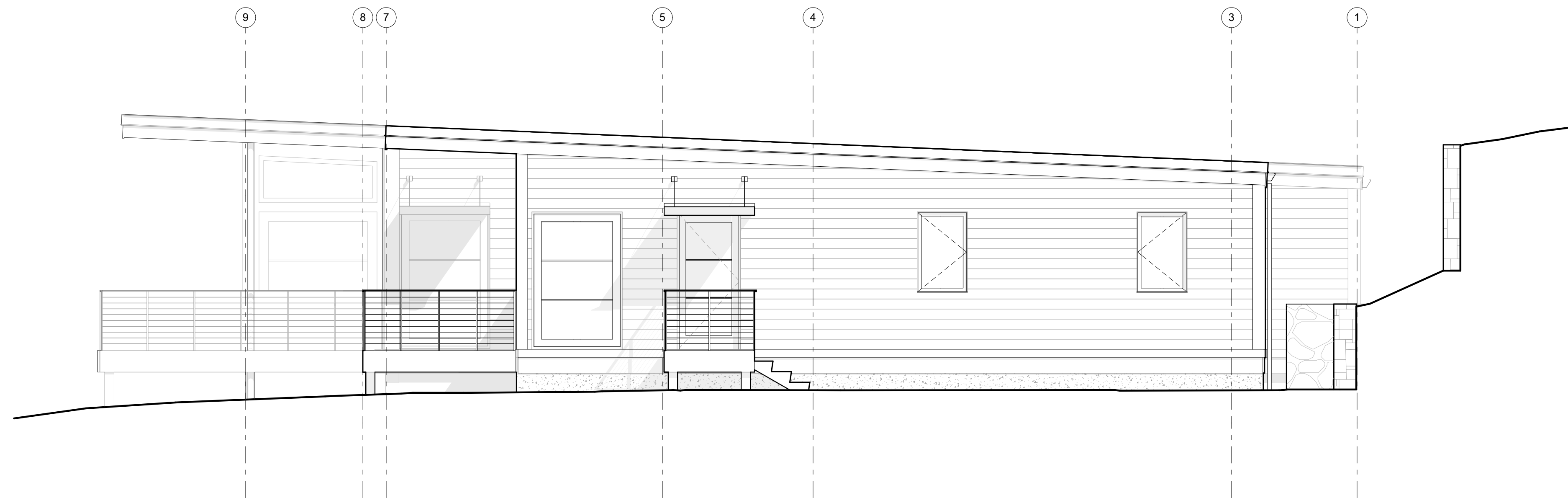
REVISIONS

NO.	DATE	DESC.

UPDATE SET
 ELEVATIONS CABIN 2



1 SOUTH ELEVATION - CABIN 2 SITING. SEE A302.
SCALE: 1/4" = 1'-0"



2 WEST ELEVATION - CABIN 2 SITING. SEE A302.
SCALE: 1/4" = 1'-0"

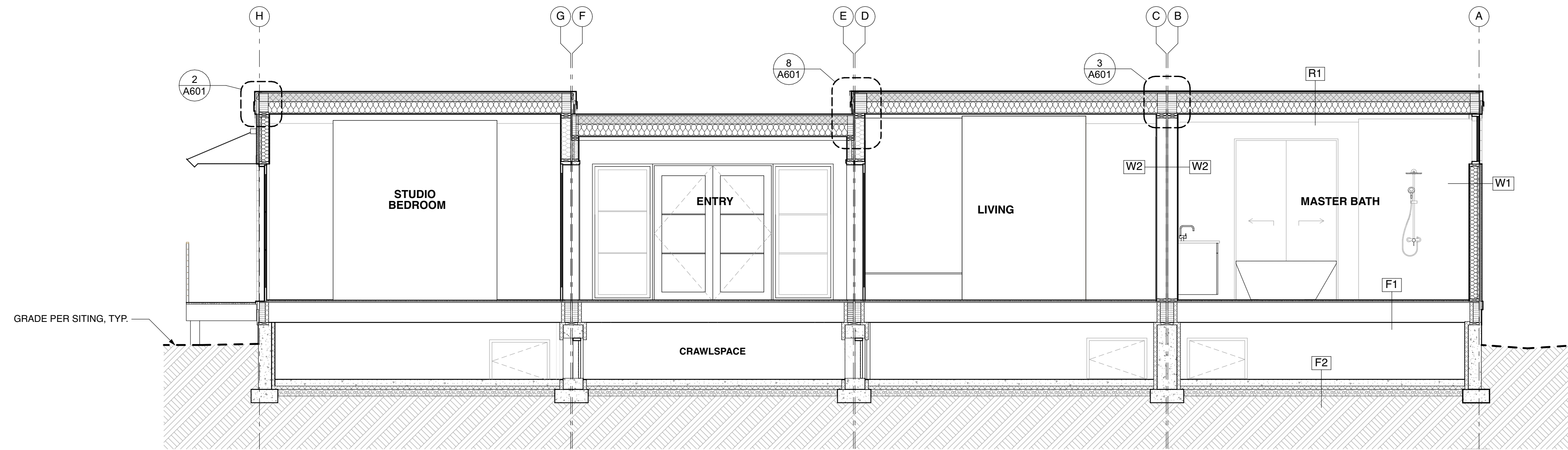
0708.2.12 WHISPER RIDGE

PROJECT ARCHITECT SDK
PROJECT NUMBER 0708.2.12
DATE 4/22/20

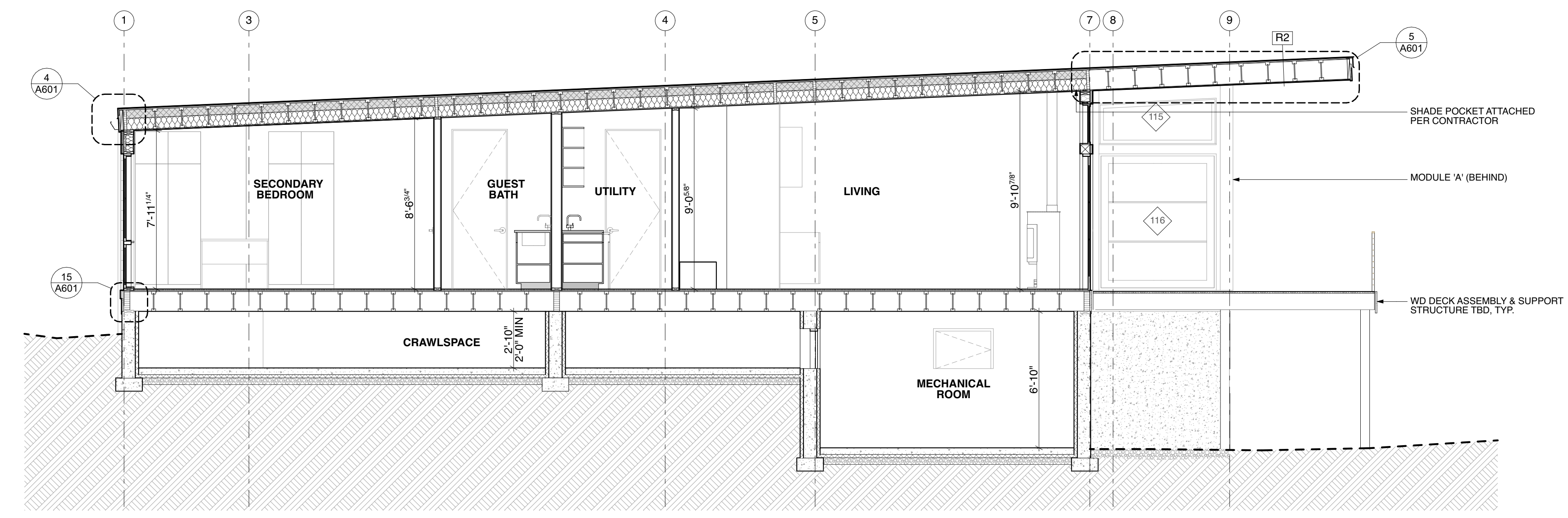
REVISIONS

NO.	DATE	DESC.

UPDATE SET
ELEVATIONS CABIN 2



1 LATERAL SECTION THROUGH ALL MODULES, TYP. - SEE CABIN SECTIONS FOR SITING
SCALE: 1/4" = 1'-0"



2 CROSS SECTION THROUGH MODULE 'B', TYP. - SEE CABIN SECTIONS FOR SITING
SCALE: 1/4" = 1'-0"

WALL TYPES

W1 - LAP SIDING
Lap siding (material TBD) o/
1/2" P.T. furring o/
1" rigid rockwool insulation o/
Weather barrier o/
Plywood sheathing per struct o/
Framing per struct w/
BIBS insulation to fill cavity o/
Vapor barrier o/
1/2" GWB or finish as specified

W2 - MARRIAGE WALLS
Plywood sheathing per struct o/
Framing per struct w/
Acoustic insulation to fill cavity (opt) o/
1/2" GWB or finish as specified

W3 - BASEMENT WALLS
Reinforced concrete per struct o/
2" rigid insulation

FLOOR TYPES

F1 - FRAMED FLOOR OVER CONDITIONED SPACE
Finish floor o/
Subfloor per struct o/
Joists per struct

F2 - INSULATED SLAB
4" concrete o/
2" rigid insulation (R-10) o/
4" gravel

ROOF TYPES

R1 - INSULATED ROOF
Metal roofing o/
Self-adhered membrane roofing underlayment o/
Plywood sheathing per struct o/
Rafters per struct w/
5" closed cell spray foam insulation (R-30) o/
Batt insulation to fill remainder of cavity (R-20) o/
1/2" GWB or ceiling finish as specified

R2 - OVERHANG
Metal roofing o/
Self-adhered membrane roofing underlayment o/
Plywood sheathing per struct o/
Rafters per struct o/
Soffit finish TBD

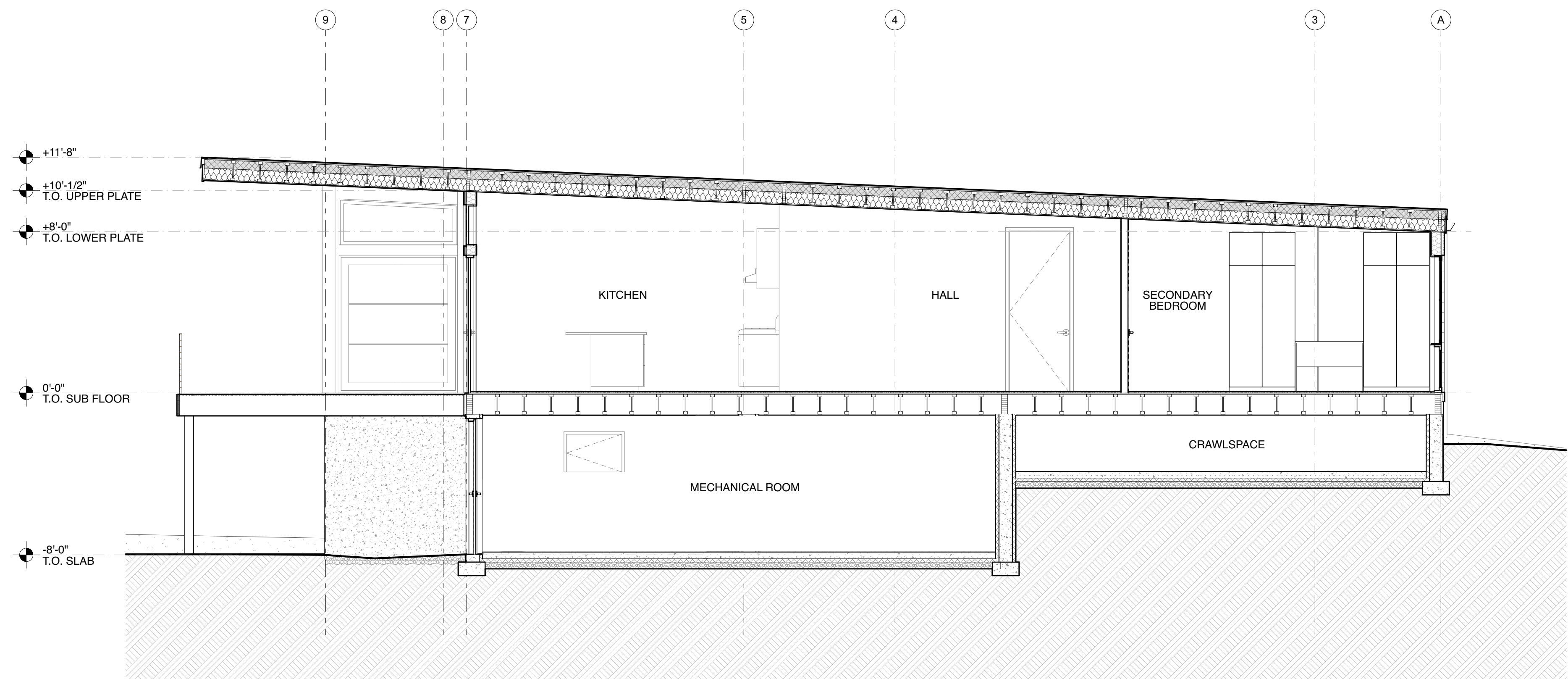
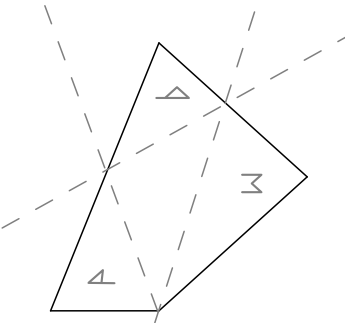
0708.2.12 WHISPER RIDGE
ADDRESS
ADDRESS

PROJECT ARCHITECT SDK
PROJECT NUMBER 0708.2.12
DATE 4/22/20

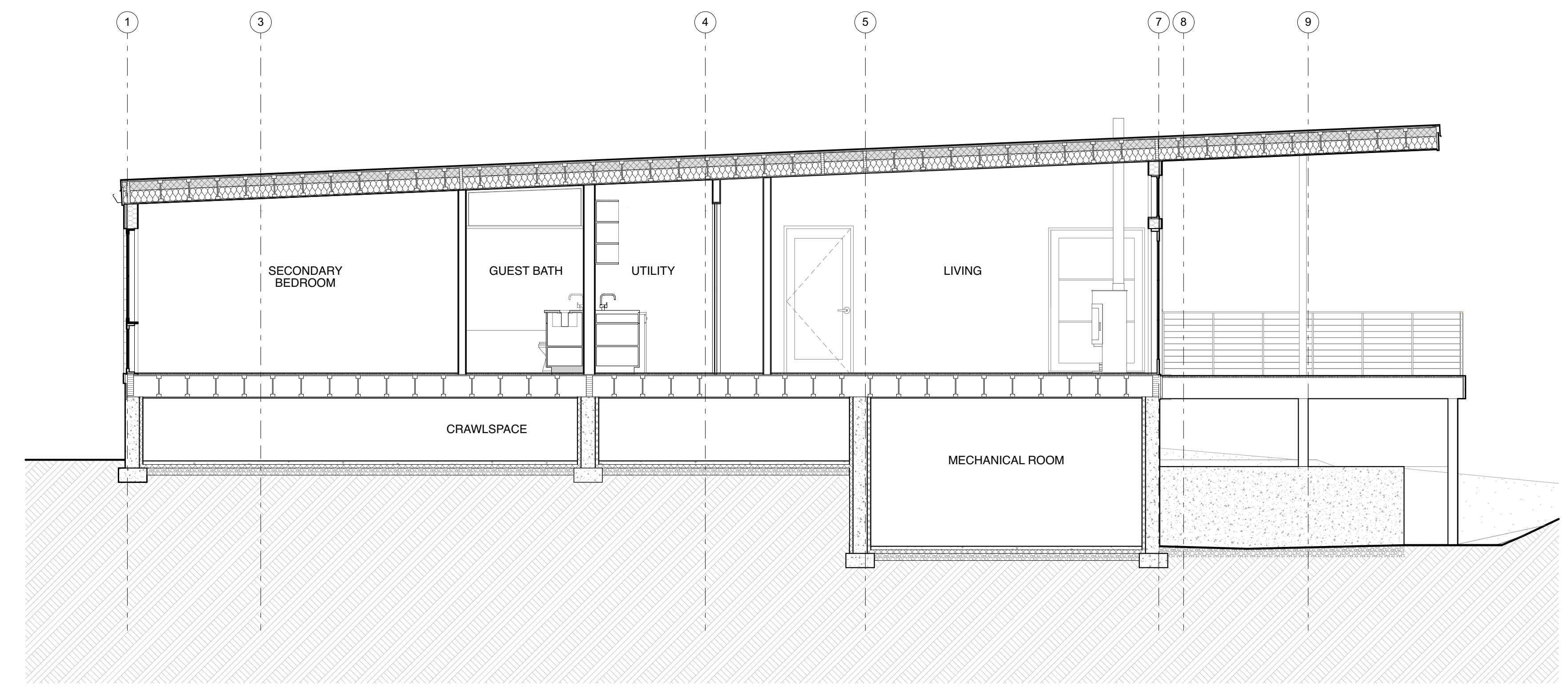
REVISIONS

NO.	DATE	DESC.

UPDATE SET
SECTIONS (TYP)



1 SECTION THROUGH MOD 'B' - CABIN 1. SEE A401.
 SCALE: 1/4" = 1'-0"



2 SECTION THROUGH MOD 'B' - CABIN 2. SEE A401.
 SCALE: 1/4" = 1'-0"

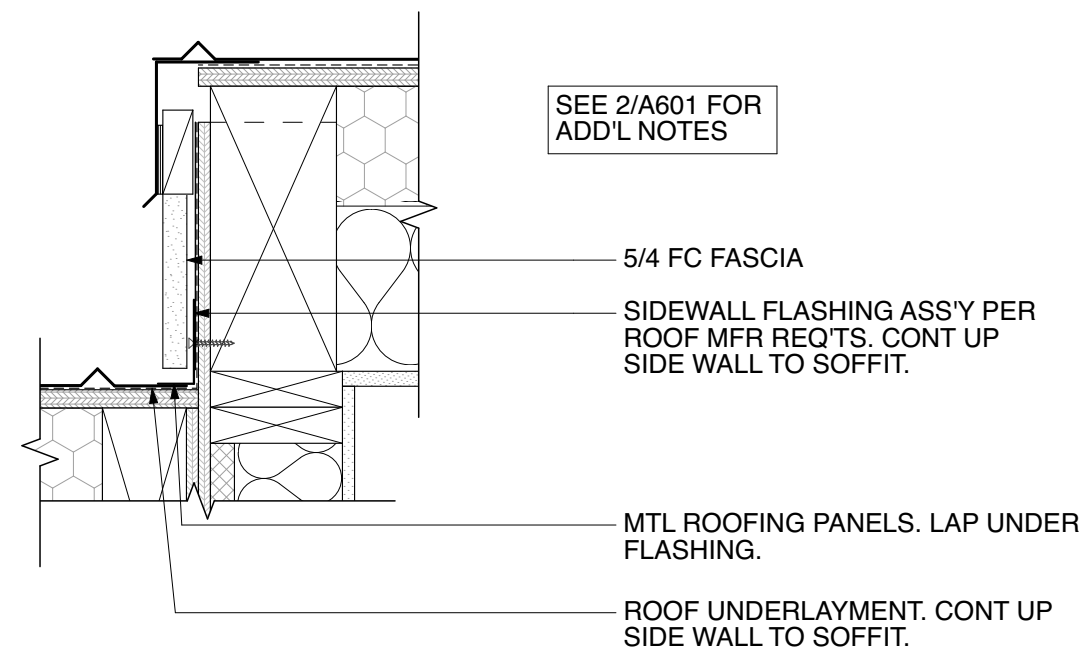
0708.2.12 WHISPER RIDGE

PROJECT ARCHITECT SDK
 PROJECT NUMBER 0708.2.12
 DATE 4/22/20

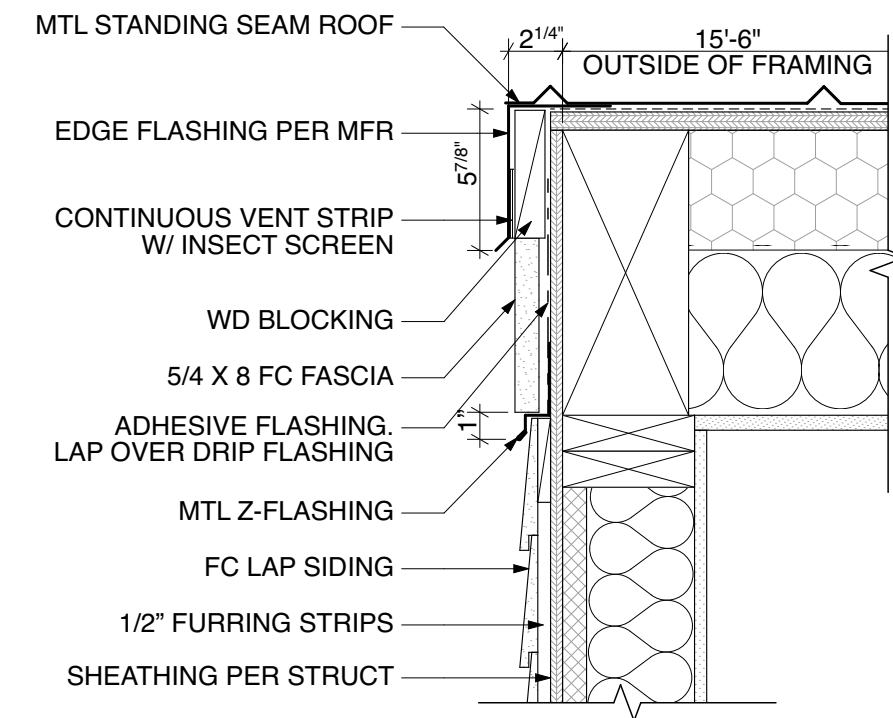
REVISIONS

NO.	DATE	DESC.

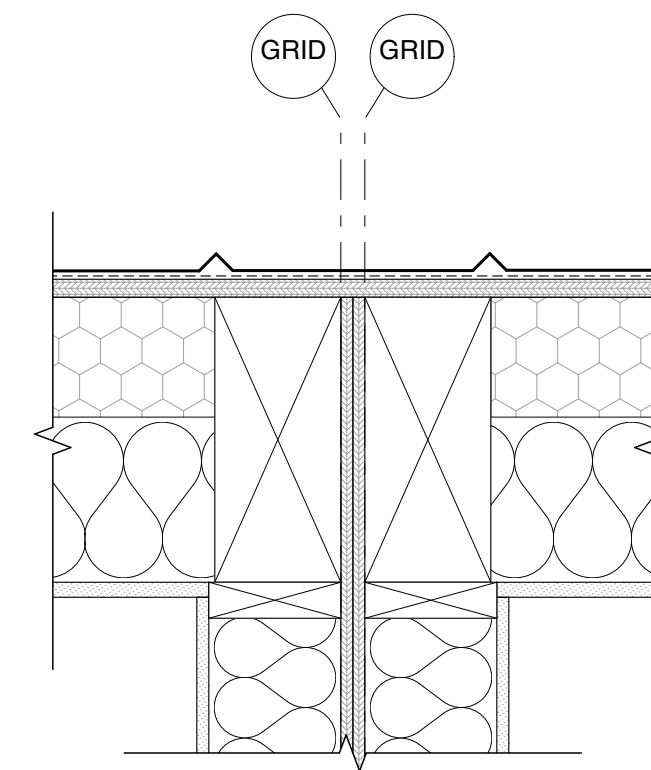
UPDATE SET
 SECTIONS CABIN 1 & 2



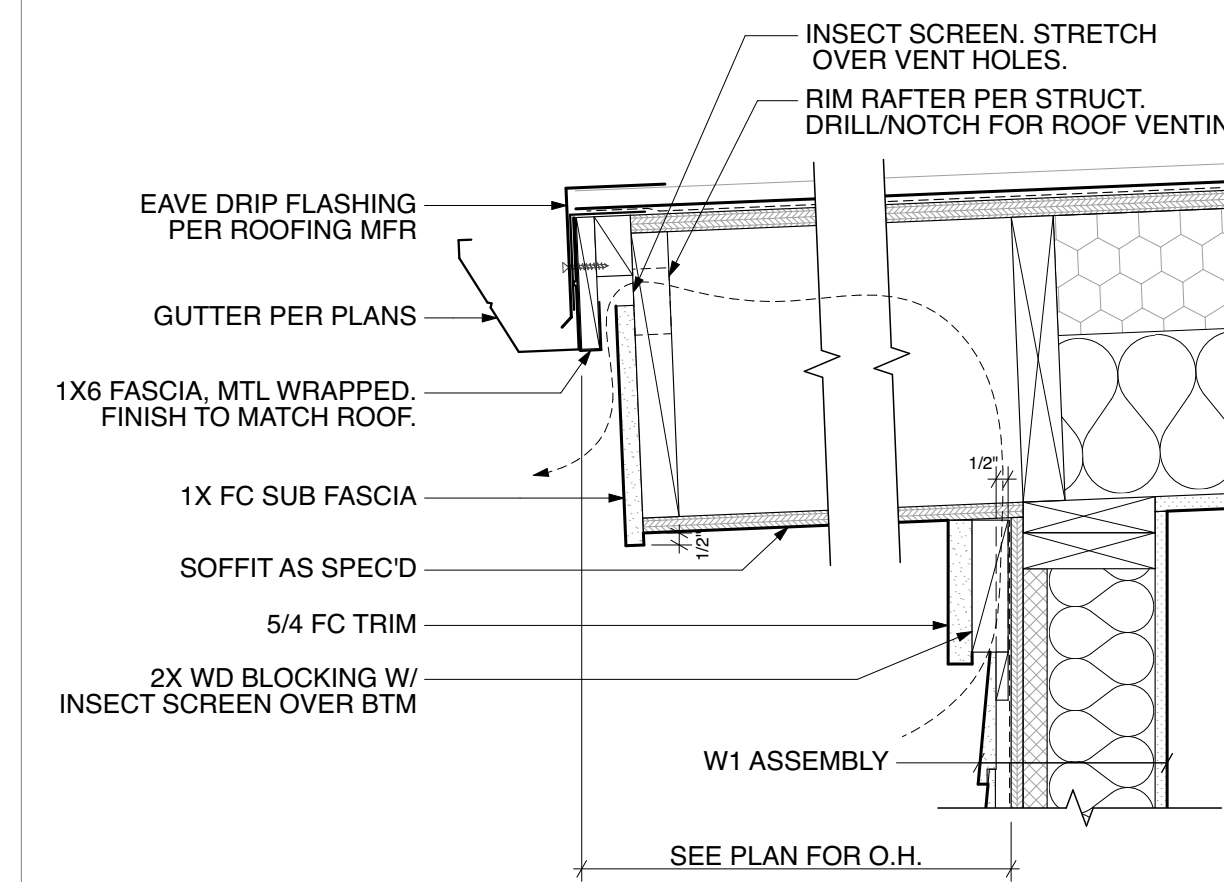
1 ROOF TO WALL FLASHING
SCALE: 1 1/2" = 1'-0"



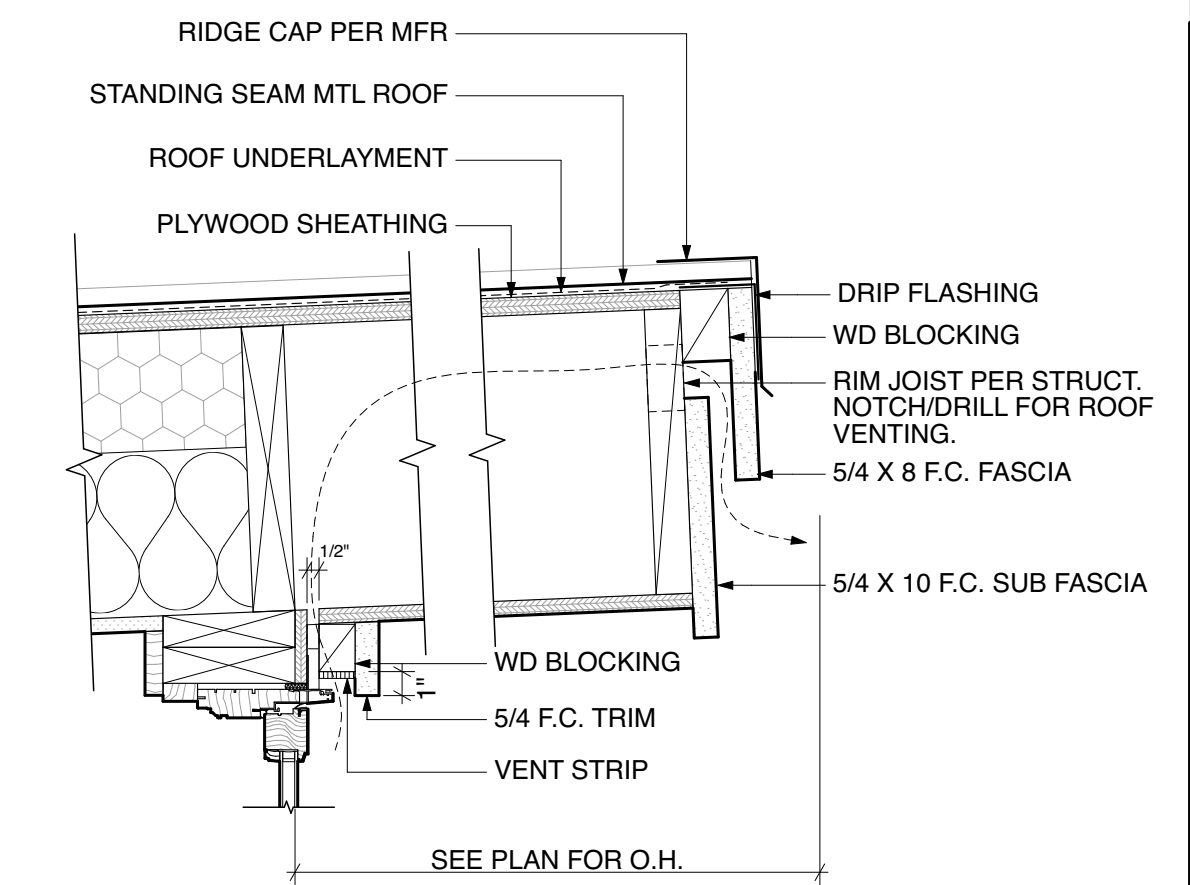
2 ROOF AT RAKE
SCALE: 1 1/2" = 1'-0"



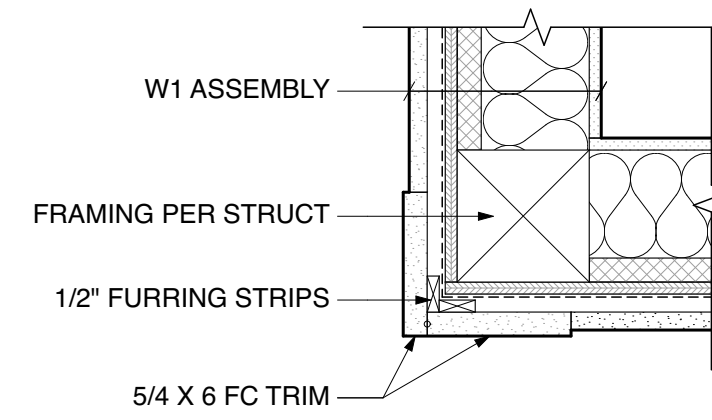
3 ROOF AT MARRIAGE LINE
SCALE: 1 1/2" = 1'-0"



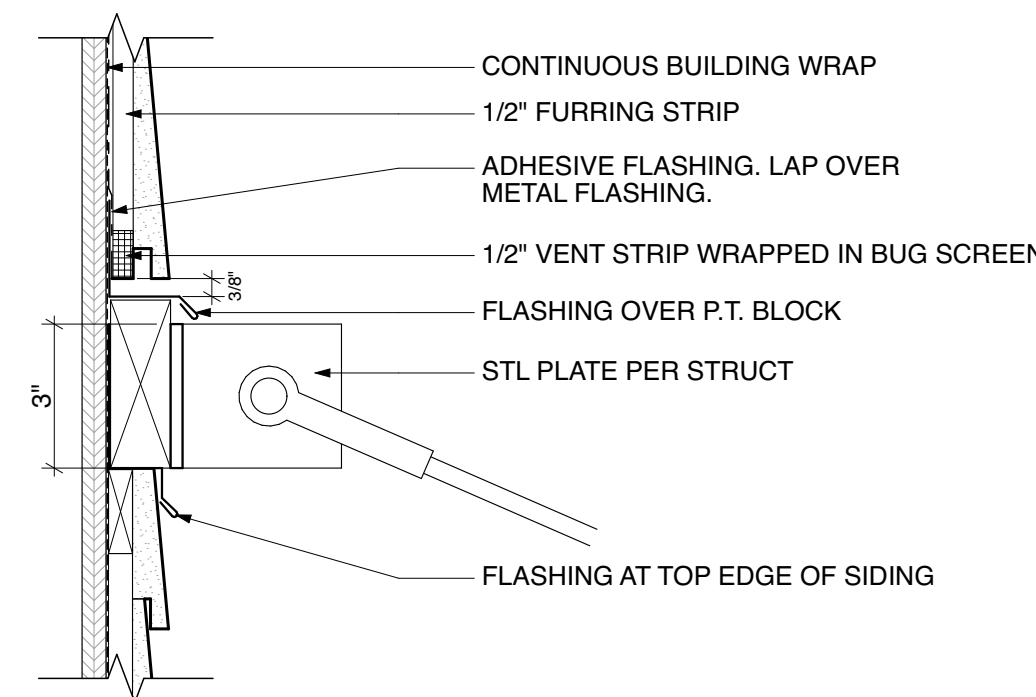
4 ROOF AT EAVE
SCALE: 1 1/2" = 1'-0"



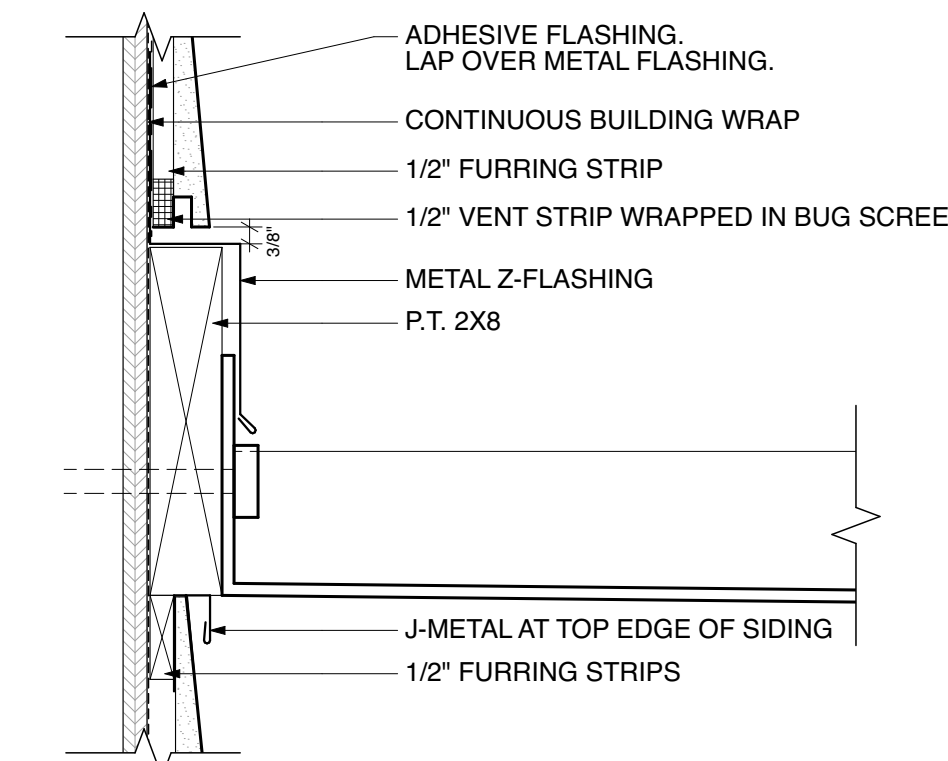
5 ROOF AT PEAK
SCALE: 1 1/2" = 1'-0"



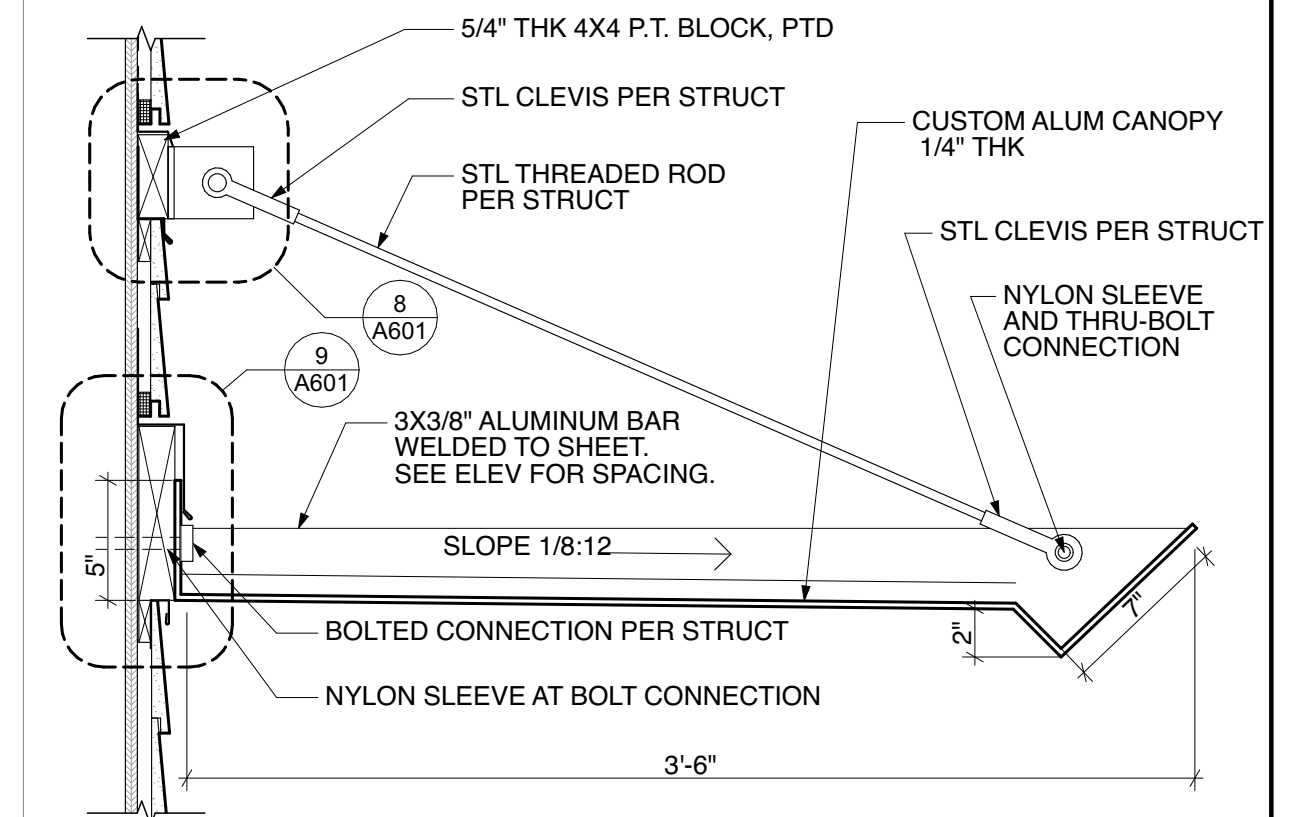
7 TYP FC SIDING CORNER
SCALE: 1 1/2" = 1'-0"



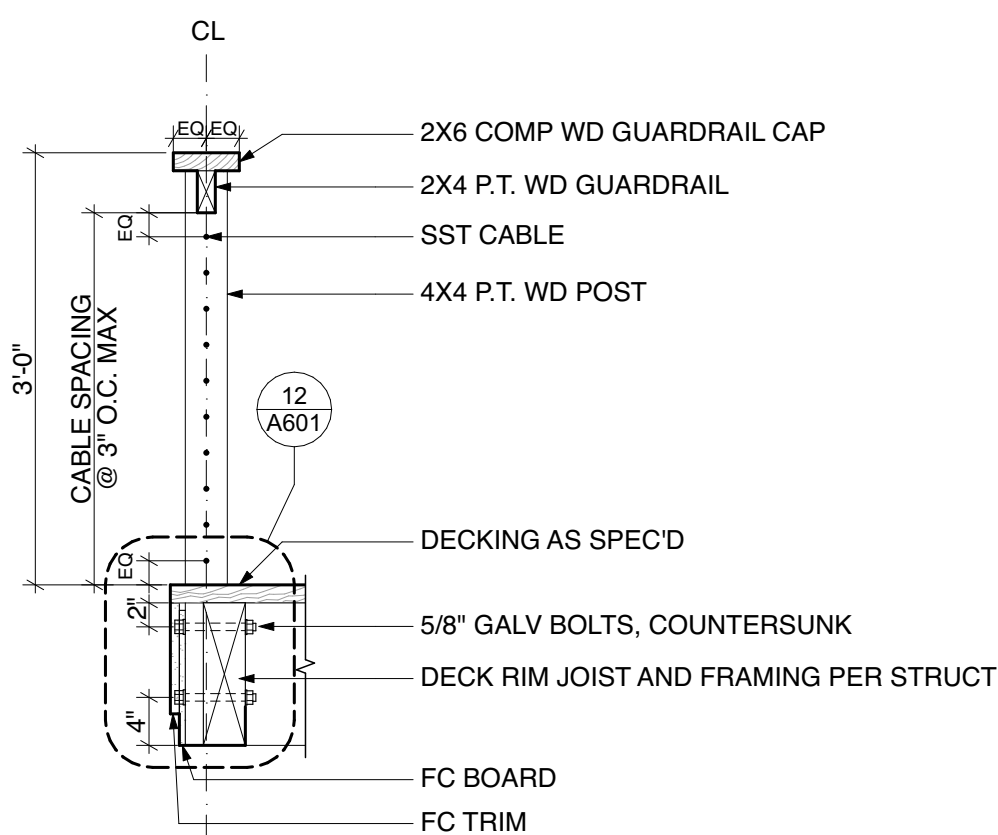
8 AWNING ATTACHMENT - TOP
SCALE: 3" = 1'-0"



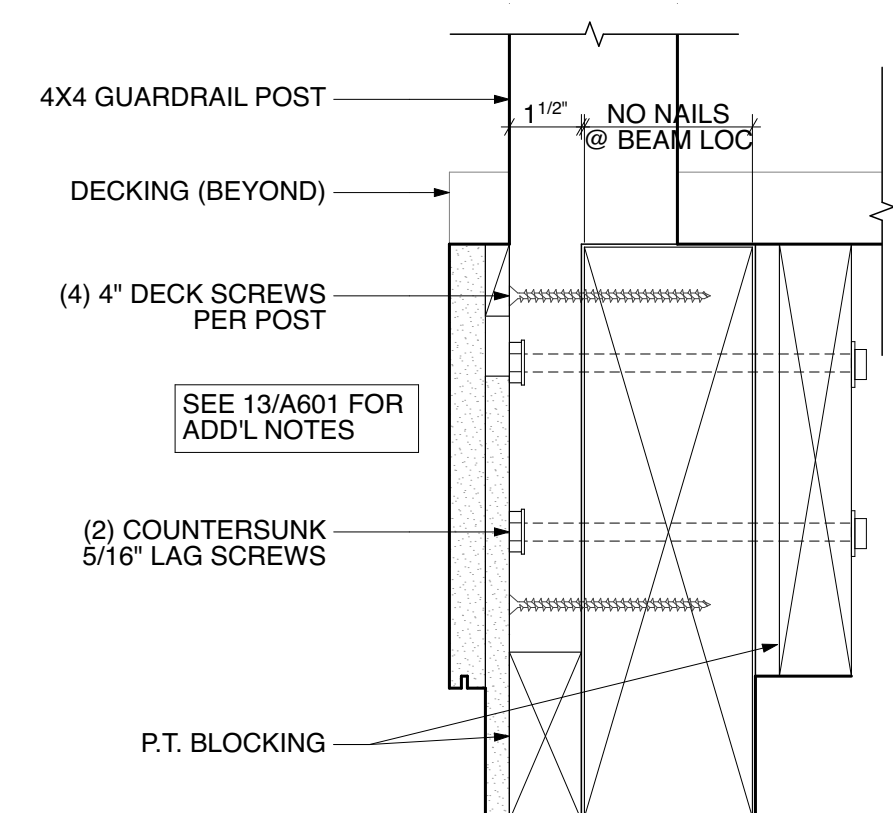
9 AWNING ATTACHMENT - BOTTOM
SCALE: 3" = 1'-0"



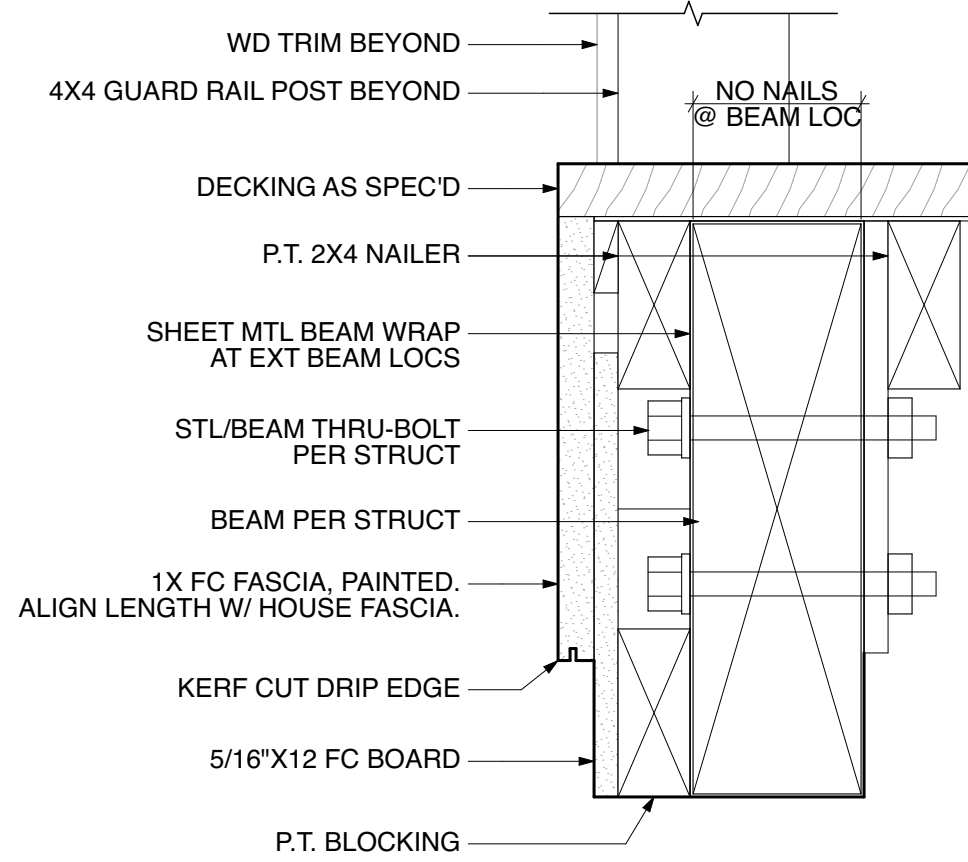
10 ALUMINUM AWNING SECTION
SCALE: 1 1/2" = 1'-0"



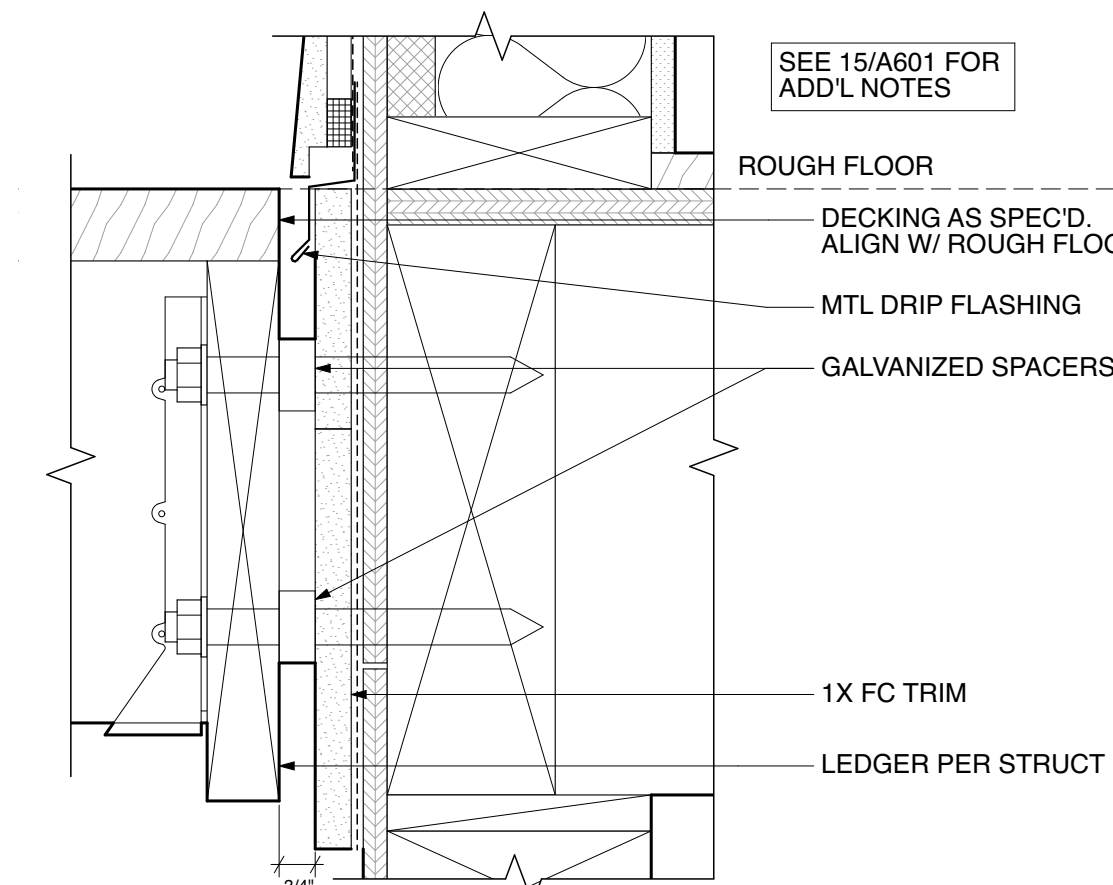
11 Name
SCALE: 3/4" = 1'-0"



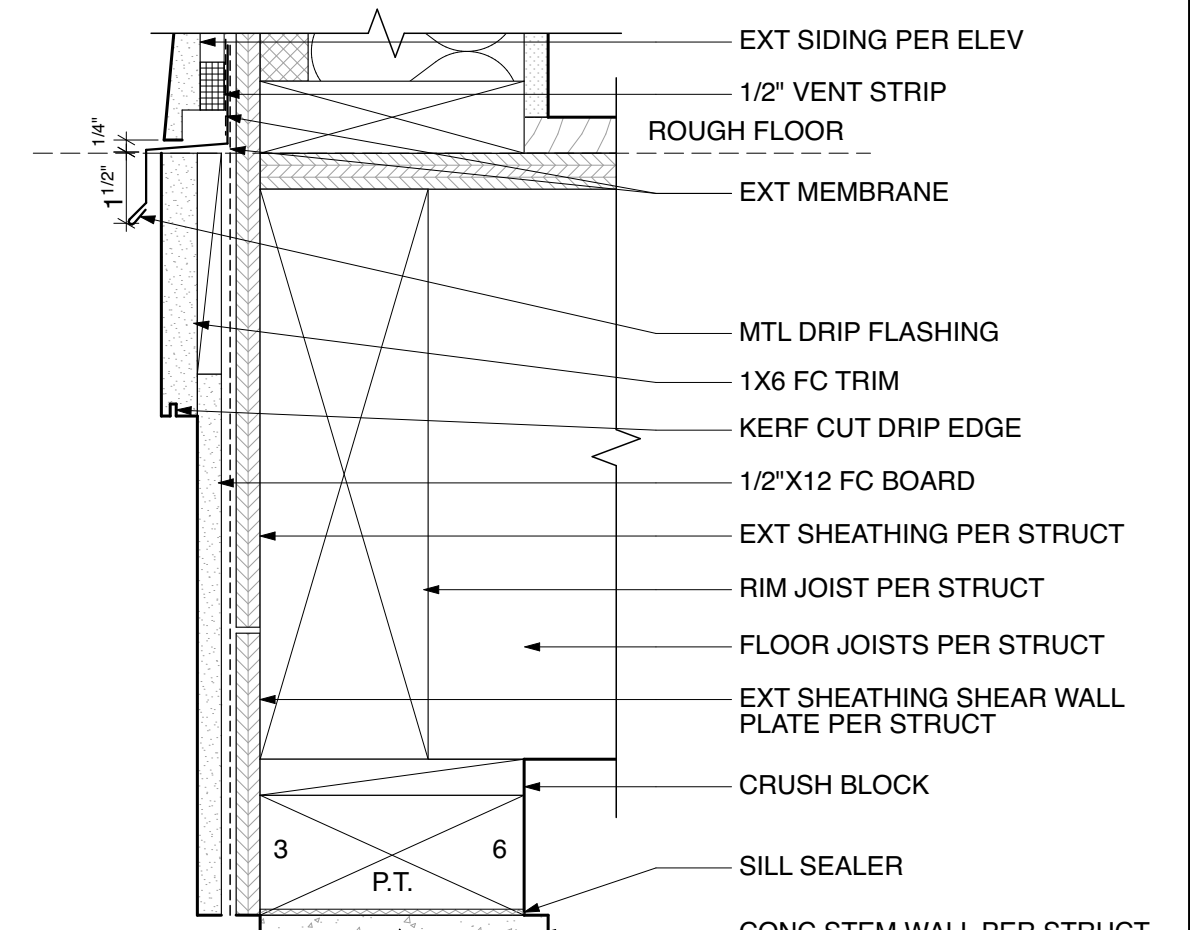
12 GUARDRAIL POST ATTACHMENT DETAIL
SCALE: 3" = 1'-0"



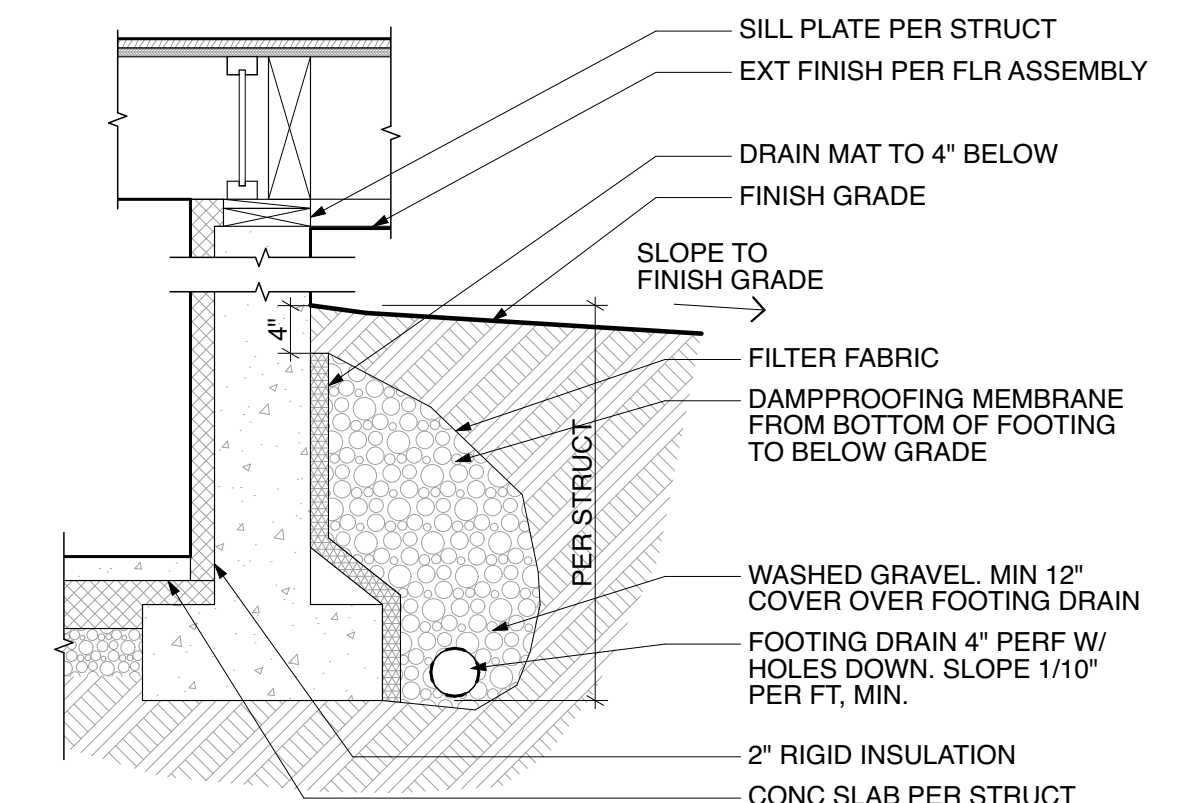
13 DECK FASCIA DETAIL
SCALE: 3" = 1'-0"



14 TYPICAL SIDING AT DECK
SCALE: 3" = 1'-0"



15 TYPICAL SIDING AT BASE TRIM
SCALE: 3" = 1'-0"



20 TYP. FOOTING
SCALE: 3/4" = 1'-0"

prentiss + balance + wickline ARCHITECTS
 224 west galler | seattle, wa 98119 | 206.283.9930 | pbwarchitects.com
 104 riverside ave ste. c | winthrop, wa 98862 | 509.996.8148

0708.2.12 WHISPER RIDGE
ADDRESS
ADDRESS

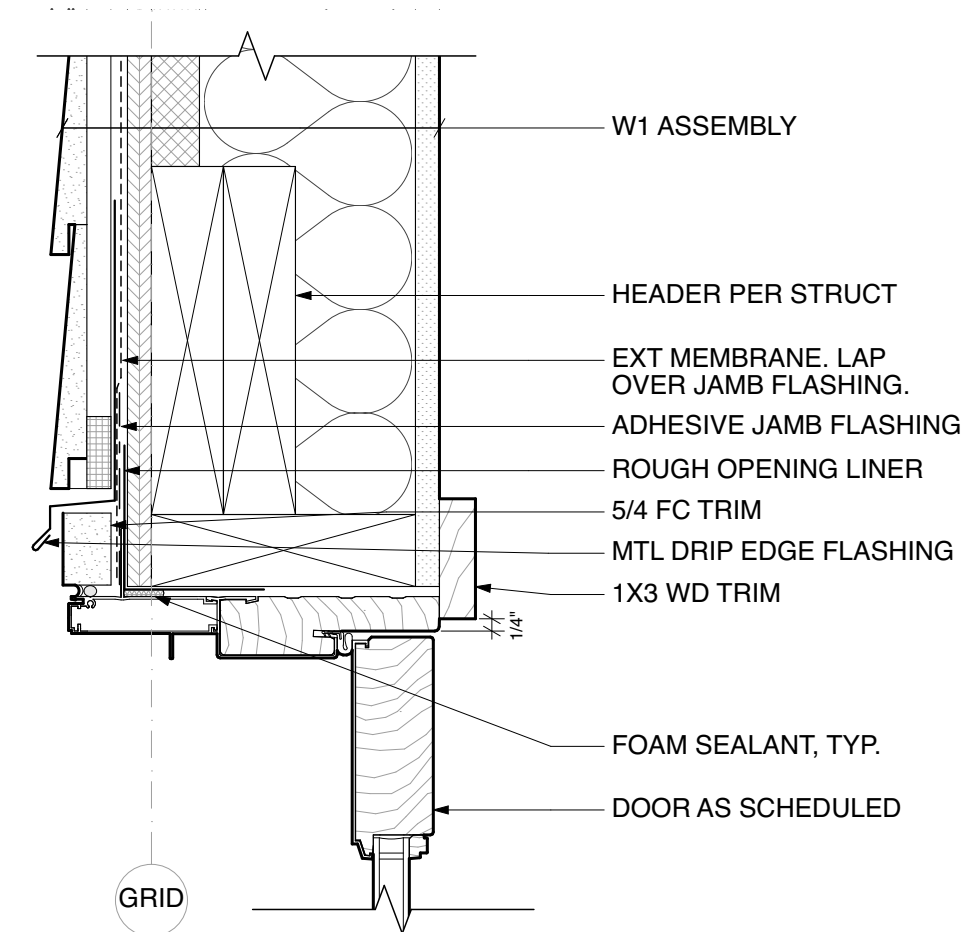
PROJECT ARCHITECT SDK
PROJECT NUMBER 0708.2.12
DATE 4/22/20

REVISIONS

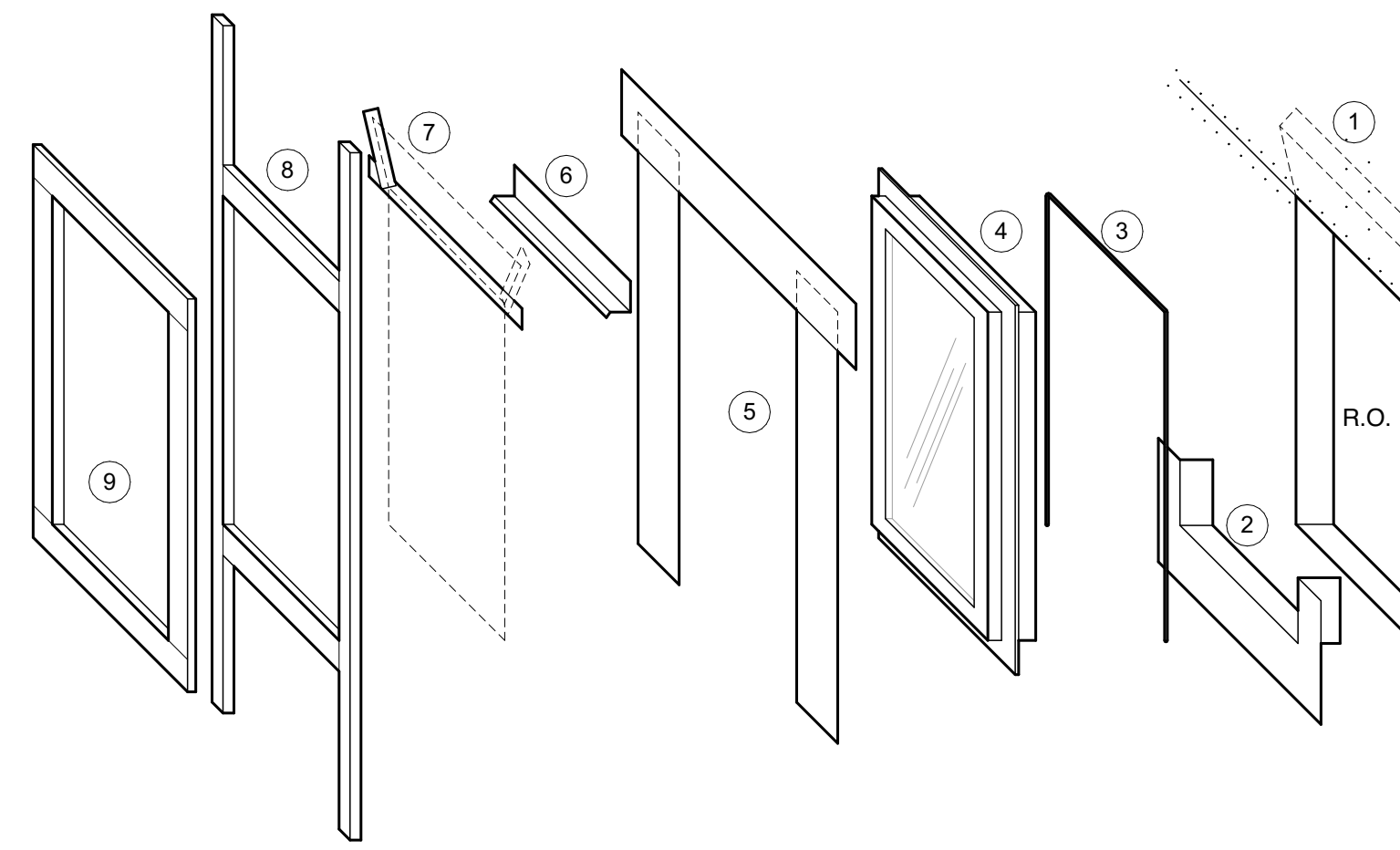
NO.	DATE	DESC.

SITE & STRUCT COORD SET
ARCHITECTURAL DETAILS

A601

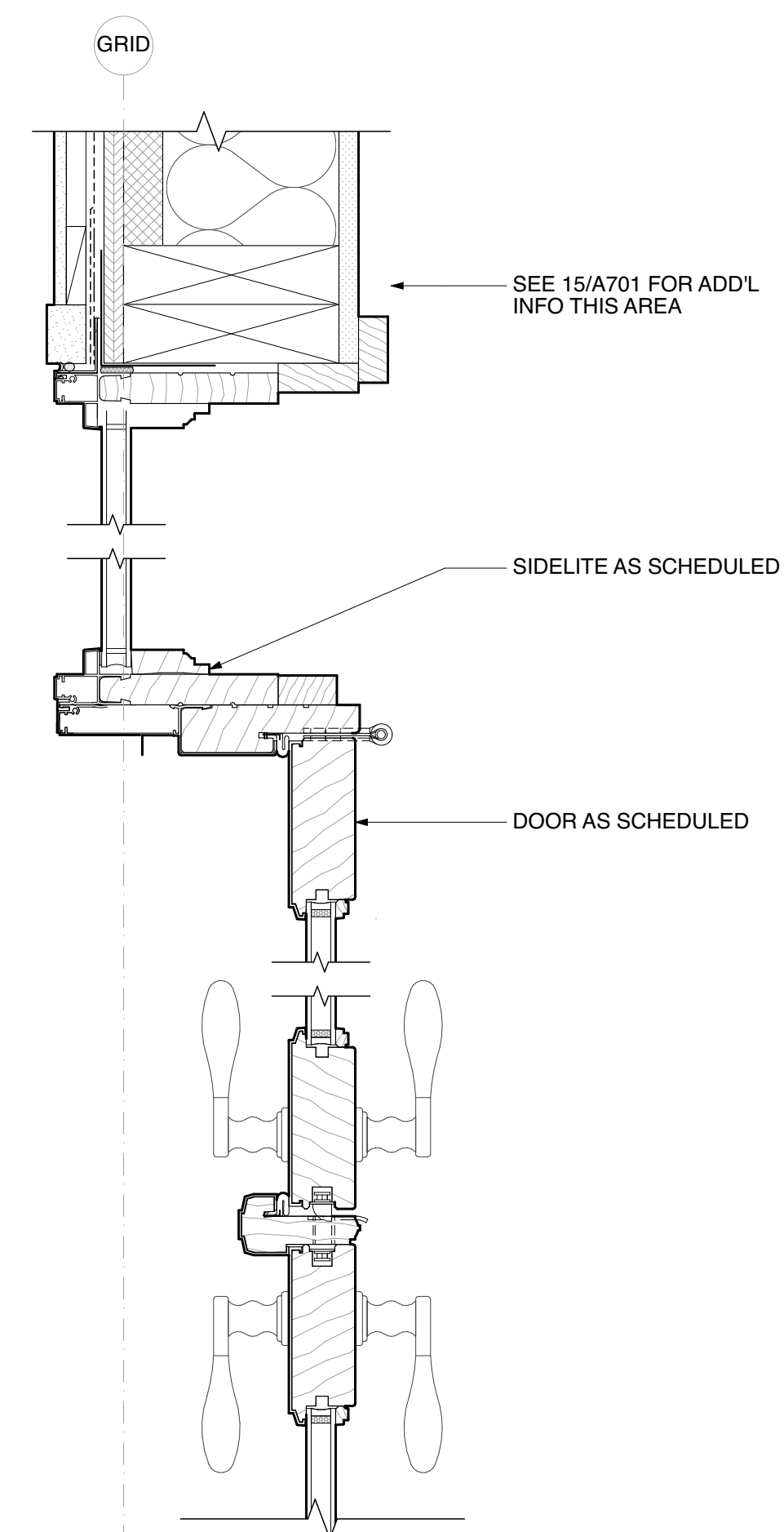


2 EXTERIOR DOOR HEAD
SCALE: 3" = 1'-0"

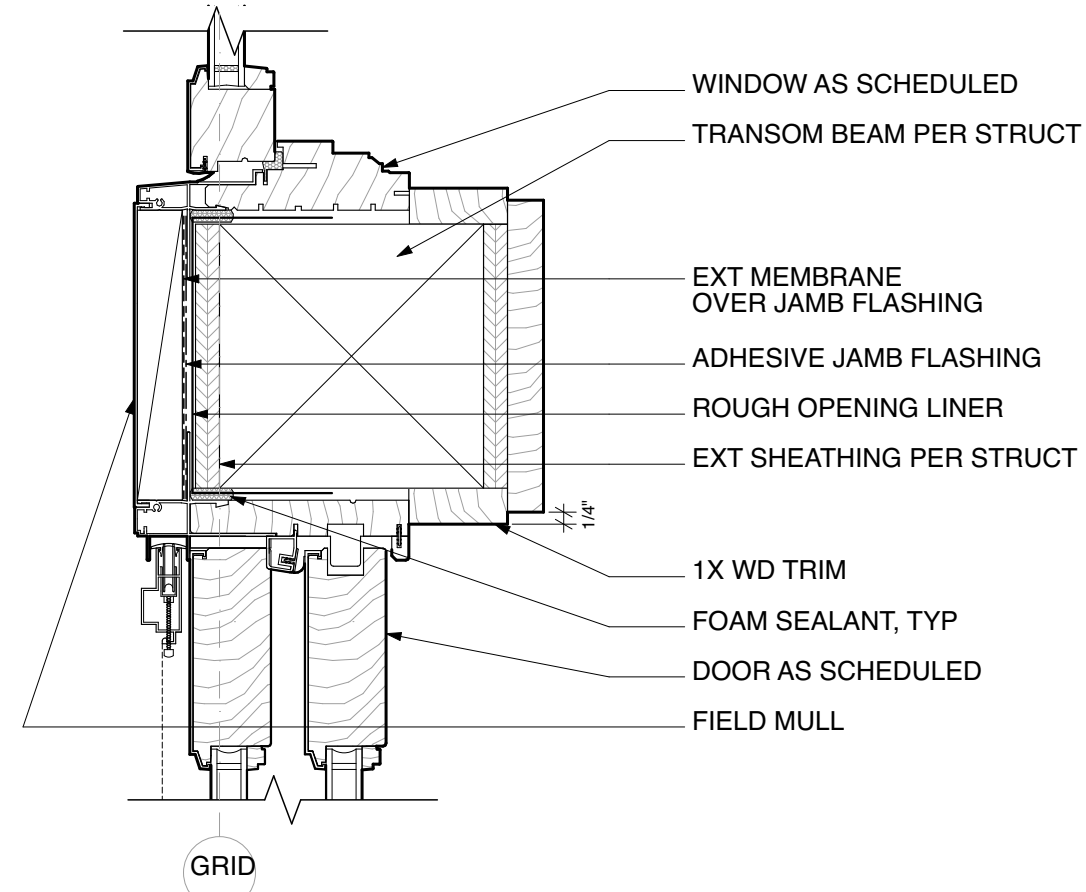


1. BUILDING MEMBRANE STAGGER SEAMS IN WEATHER BOARD FLASHING MEETING ASTM D-779. OVERLAP VERTICAL JOINTS 12"; OVERLAP HORIZ JOINTS 6". WRAP INTO JAMB, C IN HEAD FLAP (SHOWN DASHED).
2. SELF ADHERED SILL FLASHING MEETING ASTM D-779. WR UP CORNERS 6" EACH SIDE.
3. CONT 1/4" BEAD NON SKINNING BUTYL CAULK ON HEAD AND JAMB FLANGES BEFORE INSTALLATION. CAULK FRAME NO FLANGE.
4. WINDOW/DOOR. FILL SHIM SPACE WITH FOAM SEALANT. BACKER ROD AND CAULK AT INTERIOR PERIMETER.
5. SELF ADHERED HEAD AND JAMB FLASHING. LAP HEAD FLASHING OVER JAMB FLASHINGS.
6. METAL DRIP FLASHING.
7. FLIP DOWN HEAD FLAP OVER METAL DRIP FLASHING AND TAPE.
8. WEATHER RESISTIVE FURRING STRIPS AND VENT STRIPS DETAILS.
9. SIDING & TRIM. INSTALL PER DRAWINGS AND MANUFACTURER. BACKER ROD AND CAULK PER DETAIL DRAWINGS.

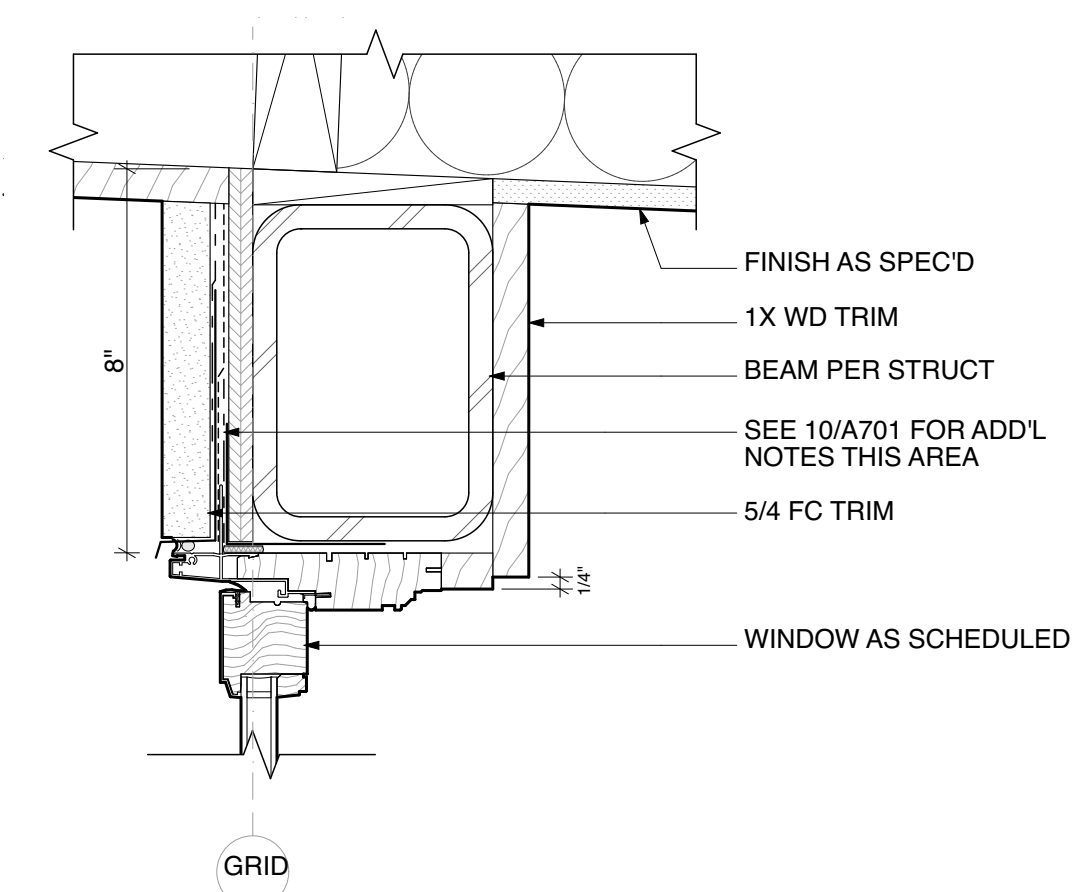
4 WINDOW/DOOR WEATHERPROOFING



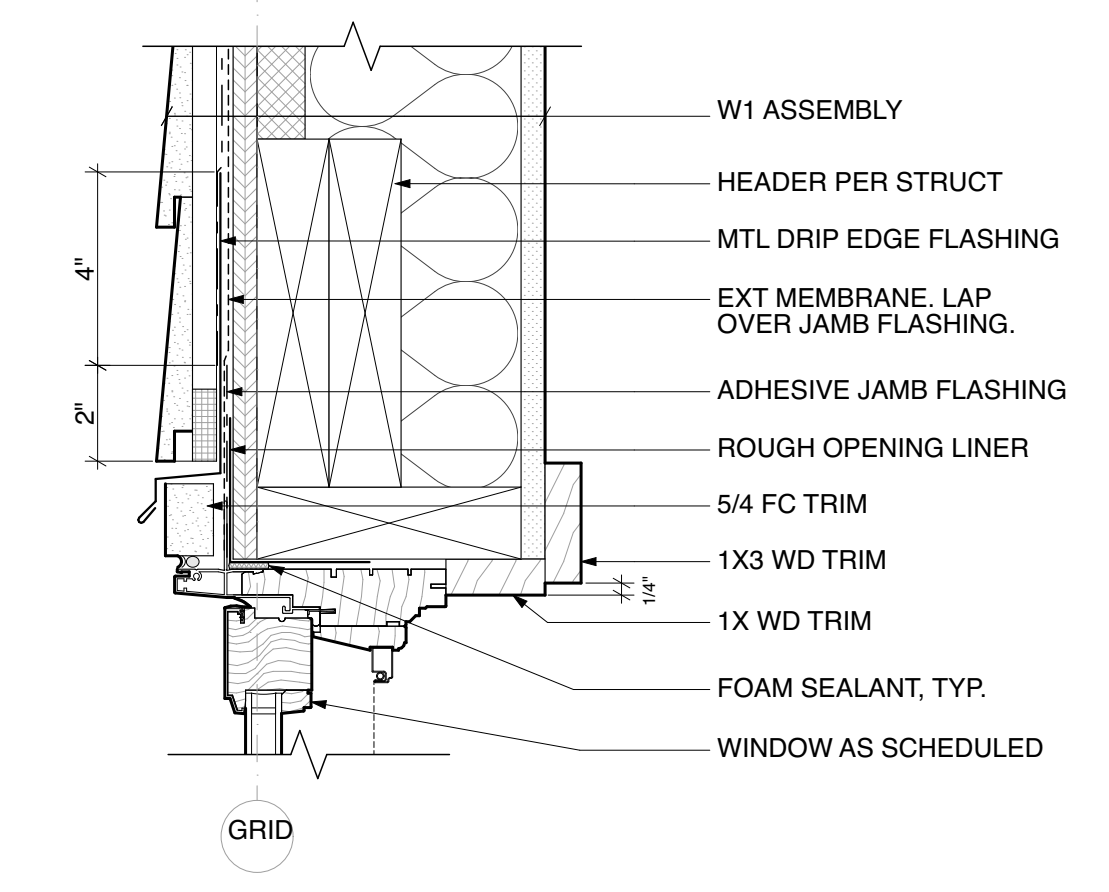
12 ENTRY DOOR JAMB
SCALE: 3" = 1'-0"



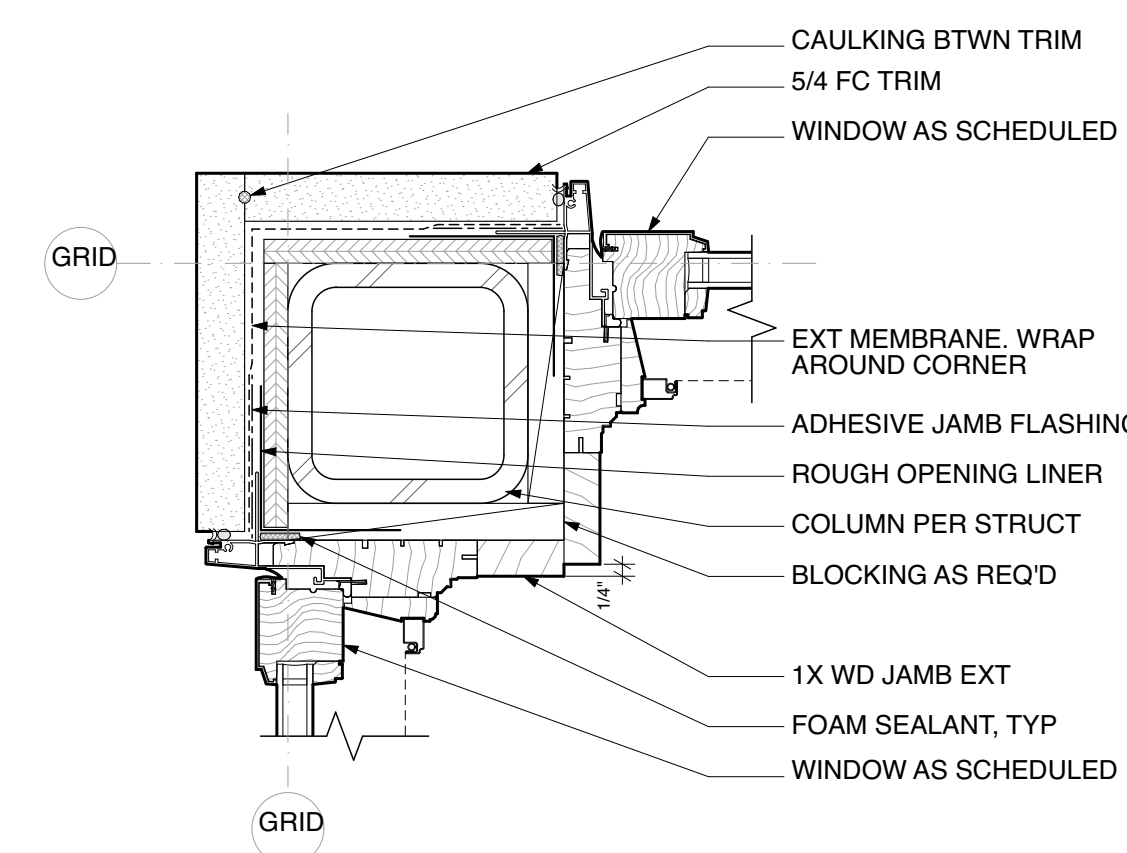
8 TRANSOM SILL - SL DOOR HEAD
SCALE: 3" = 1'-0"



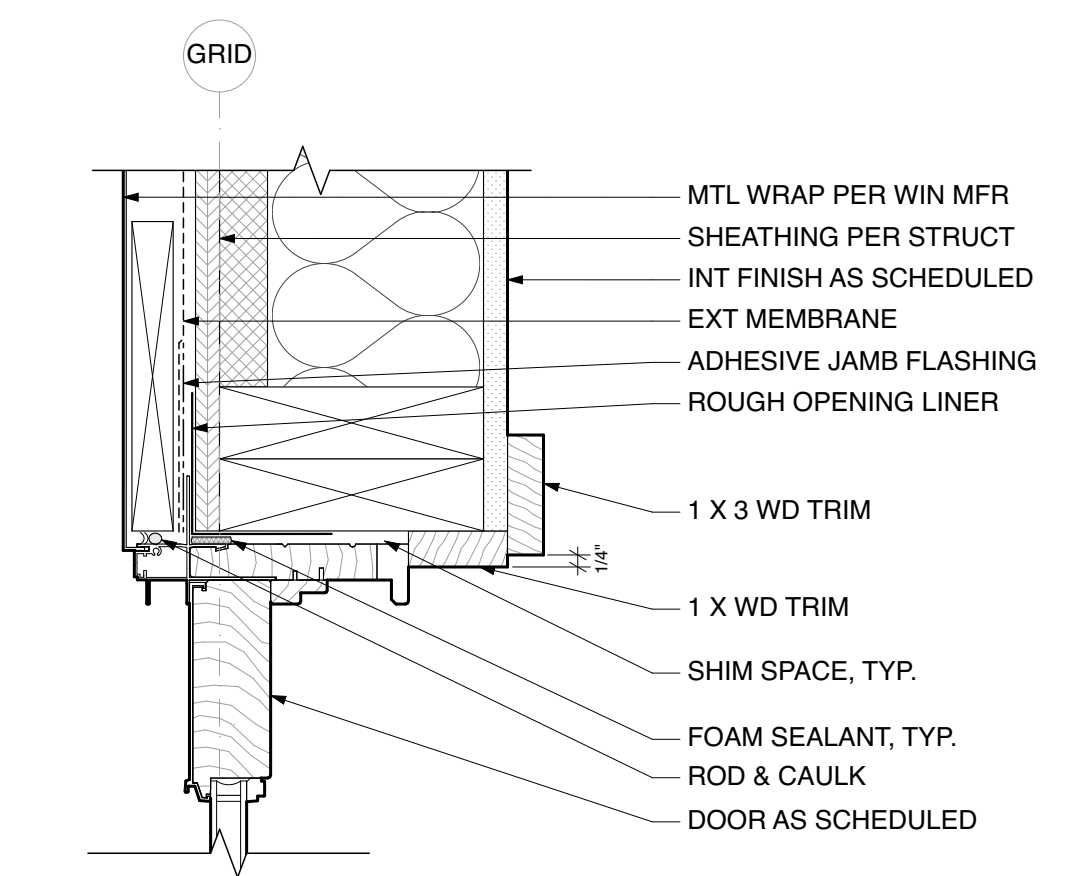
9 WINDOW HEAD @ TRANSOM
SCALE: 3" = 1'-0"



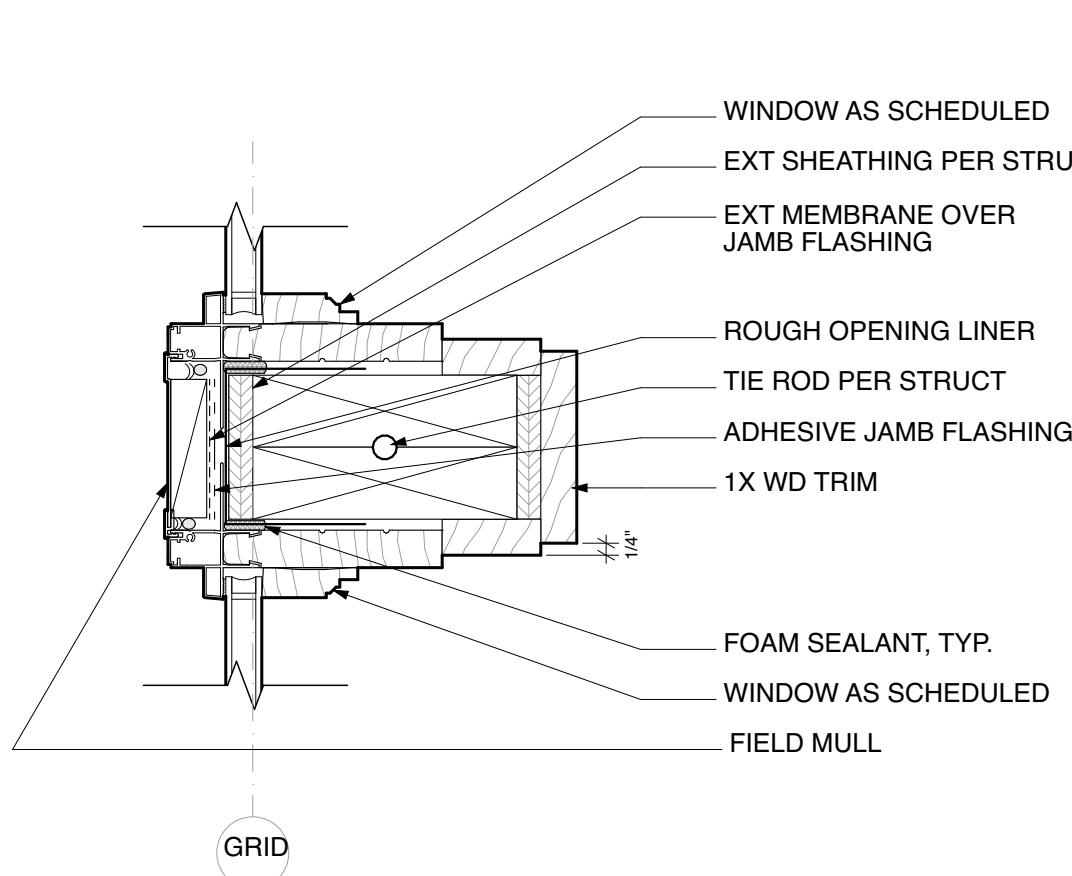
10 WINDOW HEAD @ LAP SIDING
SCALE: 3" = 1'-0"



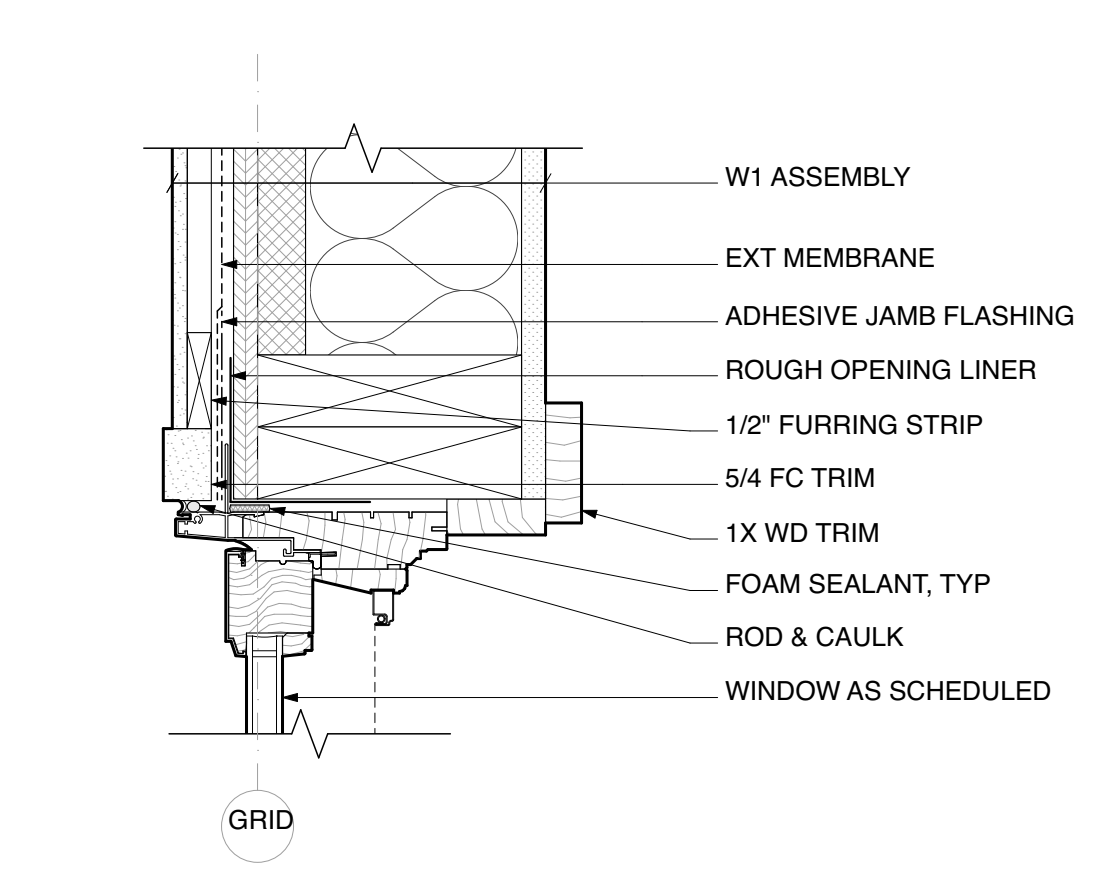
11 JAMB @ CORNER WINDOW
SCALE: 3" = 1'-0"



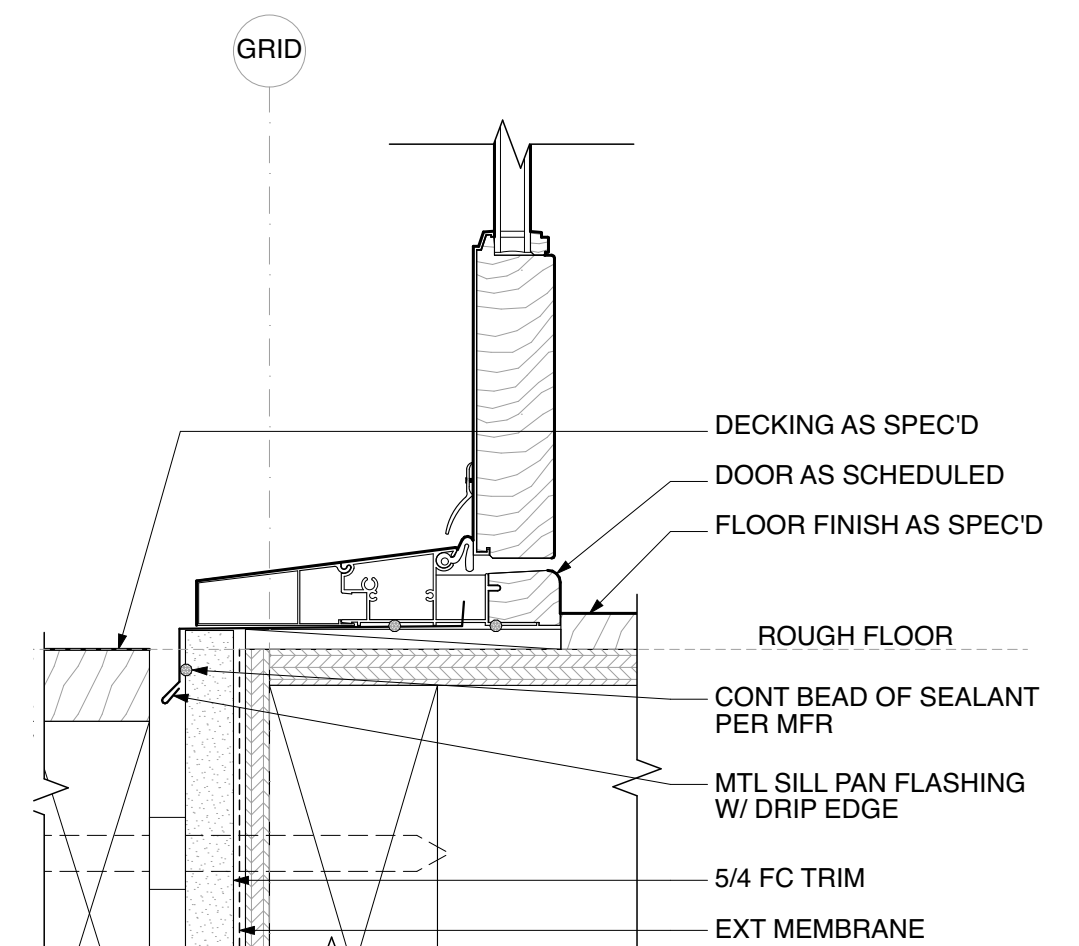
13 SLIDING DOOR JAMB
SCALE: 3" = 1'-0"



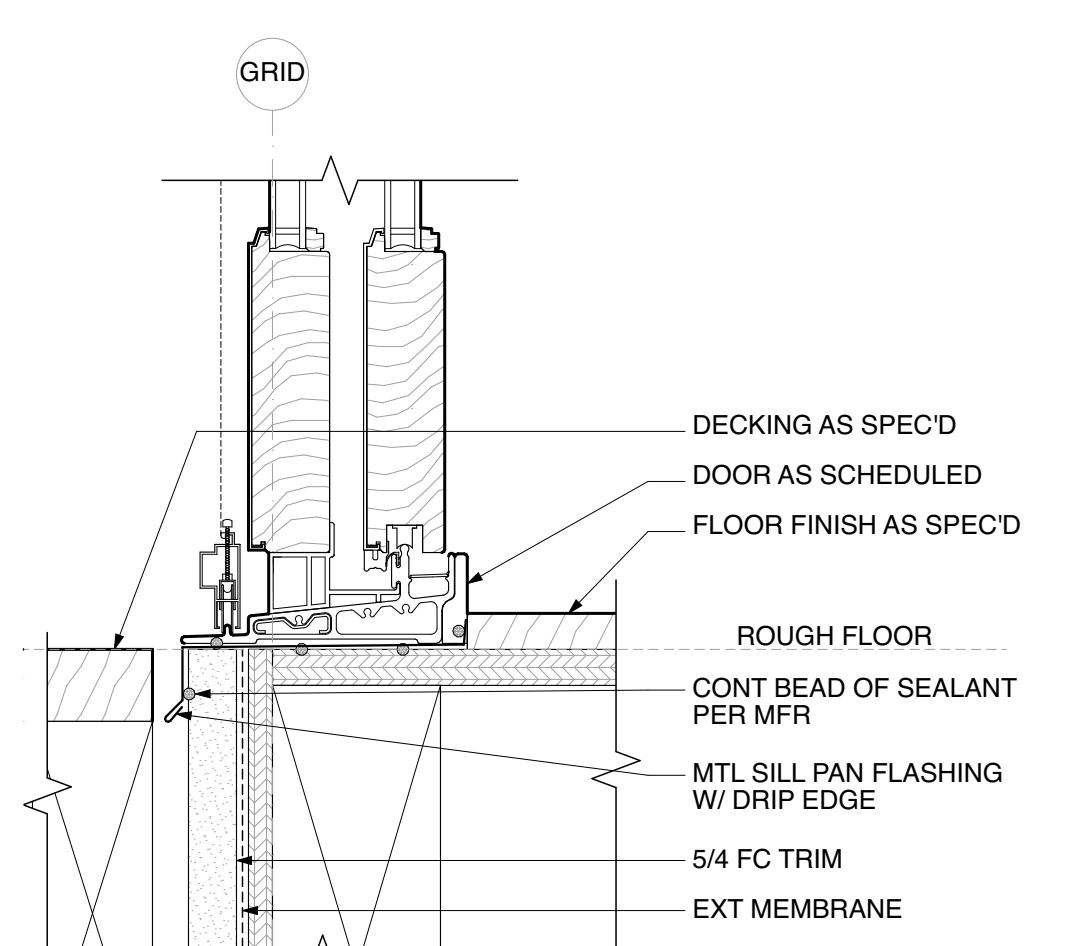
14 WINDOW JAMB @ TRANSOM
SCALE: 3" = 1'-0"



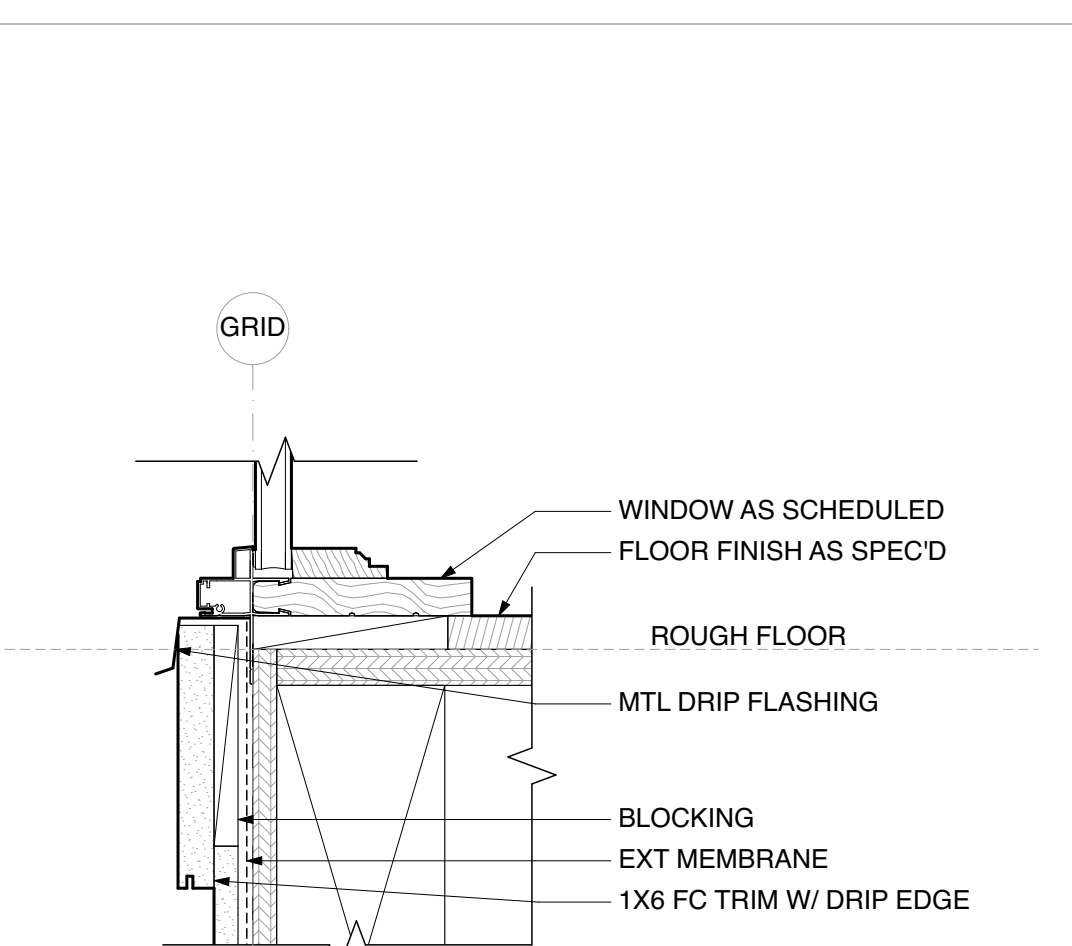
15 WINDOW JAMB @ LAP SIDING
SCALE: 3" = 1'-0"



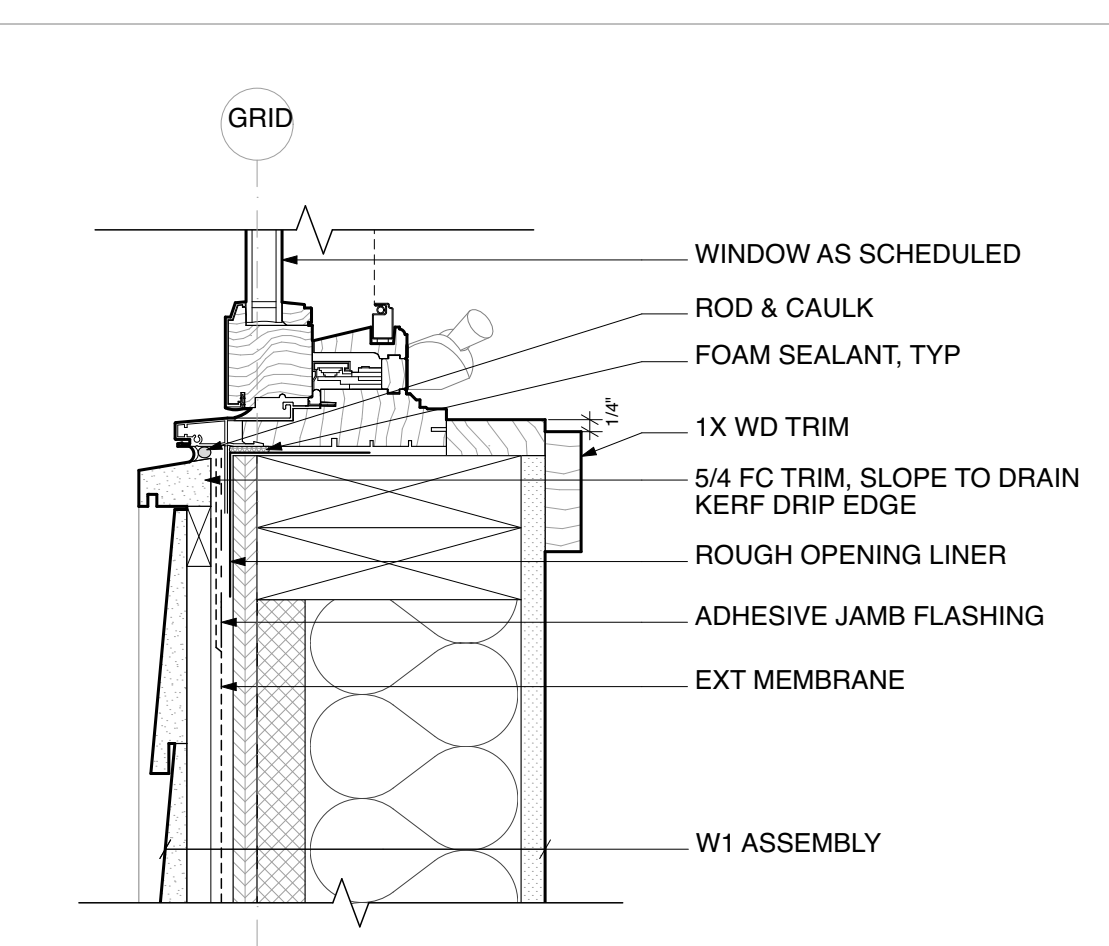
17 EXTERIOR DOOR SILL
SCALE: 3" = 1'-0"



18 SLIDING DOOR SILL
SCALE: 3" = 1'-0"



19 FULL HEIGHT WINDOW SILL
SCALE: 3" = 1'-0"



20 WINDOW SILL @ LAP SIDING
SCALE: 3" = 1'-0"

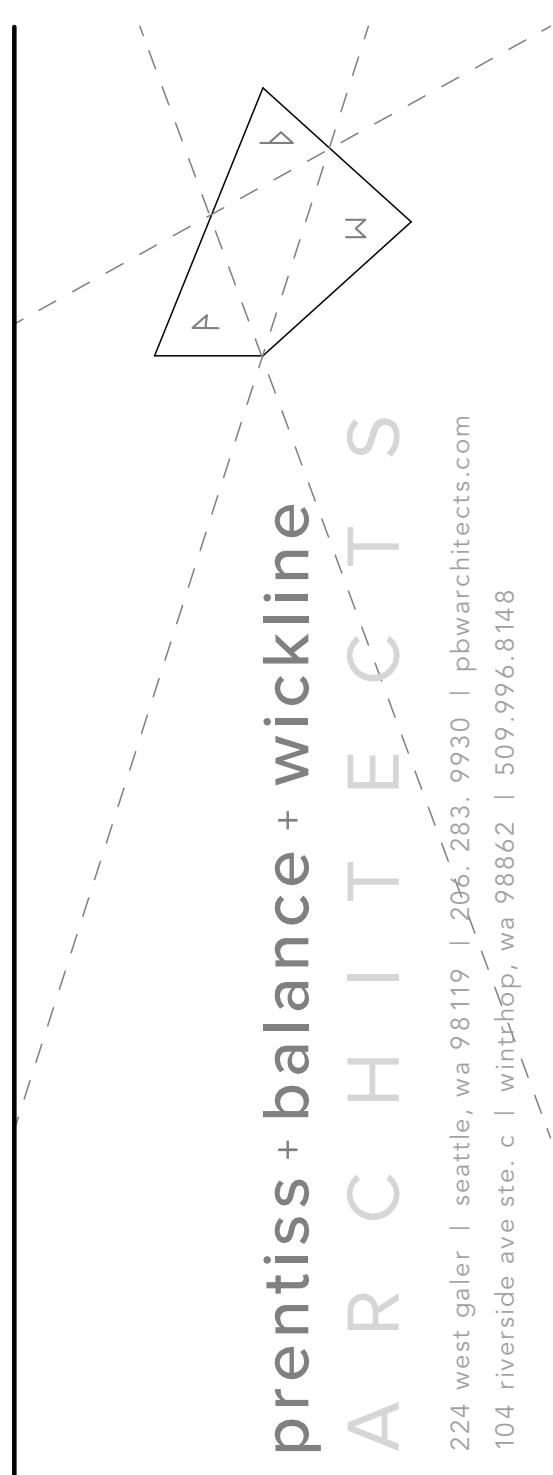
0708.2.12 WHISPER RIDGE
ADDRESS
ADDRESS

PROJECT ARCHITECT SDK
PROJECT NUMBER 0708.2.12
DATE 4/22/20

REVISIONS

NO.	DATE	DESC.

SITE & STRUCT COORD SET
WINDOW & DOOR DETAILS



WINDOW SCHEDULE

WINDOW #	ROOM	QTY	OPERATION	FRAME SIZE		HEAD	JAMB 1	JAMB 2	SILL	U-VALUE	INT. MATERIAL	SCREEN	SHADES	NOTES
				WIDTH	HEIGHT									
101	GUEST BATH 105	1	FIXED	5'-6"	2'-0"	# / A###	# / A###	# / A###	# / A###	.30 MAX	WOOD	-		TRAPEZOID. DIM TO LONG LEG.
102A	SECONDARY BEDROOM 106	1	CASEMENT	2'-4"	4'-5 1/2"	# / A###	# / A###	# / A###	# / A###	.30 MAX	WOOD	-		EGRESS. MULLED.
102B	SECONDARY BEDROOM 106	1	FIXED	3'-7 3/8"	4'-5 1/2"	# / A###	# / A###	# / A###	# / A###	.30 MAX	WOOD	-		MULLED.
103A	SECONDARY BEDROOM 106	1	FIXED	2'-4"	2'-4 1/8"	# / A###	# / A###	# / A###	# / A###	.30 MAX	WOOD	-		MULLED.
103B	SECONDARY BEDROOM 106	1	FIXED	3'-7 3/8"	2'-4 1/8"	# / A###	# / A###	# / A###	# / A###	.30 MAX	WOOD	-		MULLED.
104	MASTER BEDROOM 109	1	FIXED	3'-0"	6'-10"	# / A###	# / A###	# / A###	# / A###	.30 MAX	WOOD	-		SAFETY GLAZING. MULLED.
105	MASTER BEDROOM 109	1	FIXED	3'-0"	4'-0"	# / A###	# / A###	# / A###	# / A###	.30 MAX	WOOD	-		
105	MASTER BEDROOM 109	1	FIXED	3'-0"	4'-0"	# / A###	# / A###	# / A###	# / A###	.30 MAX	WOOD	-		
106	MASTER BATH 108	1	FIXED	3'-5"	2'-2 3/8"	# / A###	# / A###	# / A###	# / A###	.30 MAX	WOOD	-		TRAPEZOID. DIM TO LONG LEG.
107	MASTER BATH 108	1	FIXED	6'-0"	2'-5 1/8"	# / A###	# / A###	# / A###	# / A###	.30 MAX	WOOD	-		TRAPEZOID. DIM TO LONG LEG.
108	KITCHEN/DINING 107	1	CASEMENT	2'-6"	3'-6"	# / A###	# / A###	# / A###	# / A###	.30 MAX	WOOD	YES		
109	KITCHEN/DINING 107	1	FIXED	4'-6"	3'-6"	# / A###	# / A###	# / A###	# / A###	.30 MAX	WOOD	-		
110	KITCHEN/DINING 107	1	FIXED	4'-6"	6'-10"	# / A###	# / A###	# / A###	# / A###	.30 MAX	WOOD	-	POCKET SHADE IN CEILING.	SAFETY GLAZING.
111	KITCHEN/DINING 107	1	FIXED	3'-7"	2'-4"	# / A###	# / A###	# / A###	# / A###	.30 MAX	WOOD	-	POCKET SHADE IN CEILING.	MULLED.
112	KITCHEN/DINING 107	1	FIXED	3'-7"	2'-4"	# / A###	# / A###	# / A###	# / A###	.30 MAX	WOOD	-	POCKET SHADE IN CEILING.	MULLED.
113	KITCHEN/DINING 107	1	FIXED	3'-7"	2'-4"	# / A###	# / A###	# / A###	# / A###	.30 MAX	WOOD	-	POCKET SHADE IN CEILING.	MULLED.
114	KITCHEN/DINING 107	1	FIXED	3'-7"	2'-4"	# / A###	# / A###	# / A###	# / A###	.30 MAX	WOOD	-	POCKET SHADE IN CEILING.	MULLED.
115	KITCHEN/DINING 107	1	FIXED	5'-10 1/2"	2'-4"	# / A###	# / A###	# / A###	# / A###	.30 MAX	WOOD	-	POCKET SHADE IN CEILING.	MULLED.
116	KITCHEN/DINING 107	1	FIXED	5'-10 1/2"	6'-10"	# / A###	# / A###	# / A###	# / A###	.30 MAX	WOOD	-	POCKET SHADE IN CEILING.	SAFETY GLAZING.
117	LIVING 102	1	FIXED	3'-7"	2'-0 1/2"	# / A###	# / A###	# / A###	# / A###	.30 MAX	WOOD	-	POCKET SHADE IN CEILING.	MULLED.
118	LIVING 102	1	FIXED	3'-7"	2'-0 1/2"	# / A###	# / A###	# / A###	# / A###	.30 MAX	WOOD	-	POCKET SHADE IN CEILING.	MULLED.
119	LIVING 102	1	FIXED	3'-7"	2'-0 1/2"	# / A###	# / A###	# / A###	# / A###	.30 MAX	WOOD	-	POCKET SHADE IN CEILING.	MULLED.
120	LIVING 102	1	FIXED	3'-7"	2'-0 1/2"	# / A###	# / A###	# / A###	# / A###	.30 MAX	WOOD	-	POCKET SHADE IN CEILING.	MULLED.
121	LIVING 102	1	FIXED	4'-6"	6'-10"	# / A###	# / A###	# / A###	# / A###	.30 MAX	WOOD	-	POCKET SHADE IN CEILING.	SAFETY GLAZING. MATCH 112.
122	ENTRY 101	1	FIXED	3'-0"	6'-10"	# / A###	# / A###	# / A###	# / A###	.30 MAX	WOOD	-		SAFETY GLAZING. MULLED. SEE ELEVATION.
123	ENTRY 101	1	FIXED	3'-0"	6'-10"	# / A###	# / A###	# / A###	# / A###	.30 MAX	WOOD	-		SAFETY GLAZING. MULLED. SEE ELEVATION.
124	ENTRY 101	1	FIXED	3'-0"	6'-10"	# / A###	# / A###	# / A###	# / A###	.30 MAX	WOOD	-		SAFETY GLAZING. MULLED. SEE ELEVATION.
125	ENTRY 101	1	FIXED	3'-0"	6'-10"	# / A###	# / A###	# / A###	# / A###	.30 MAX	WOOD	-		SAFETY GLAZING. MULLED. SEE ELEVATION.
126	ENTRY 101	1	FIXED	3'-0"	6'-10"	# / A###	# / A###	# / A###	# / A###	.30 MAX	WOOD	-		SAFETY GLAZING. MULLED.
127	ENTRY 101	1	FIXED	3'-0"	6'-10"	# / A###	# / A###	# / A###	# / A###	.30 MAX	WOOD	-		SAFETY GLAZING. MULLED.
128A	SECONDARY BEDROOM 106	1	CASEMENT	2'-4"	4'-5 1/2"	# / A###	# / A###	# / A###	# / A###	.30 MAX	WOOD	-		EGRESS. MULLED.
128B	SECONDARY BEDROOM 106	1	FIXED	3'-7 3/8"	4'-5 1/2"	# / A###	# / A###	# / A###	# / A###	.30 MAX	WOOD	-		MULLED.
129A	SECONDARY BEDROOM 106	1	FIXED	2'-4"	2'-4 1/8"	# / A###	# / A###	# / A###	# / A###	.30 MAX	WOOD	-		SAFETY GLAZING. MULLED.
129B	SECONDARY BEDROOM 106	1	FIXED	3'-7 3/8"	2'-4 1/8"	# / A###	# / A###	# / A###	# / A###	.30 MAX	WOOD	-		SAFETY GLAZING. MULLED.
130	STUDIO BATH 111	1	CASEMENT	2'-6"	4'-0"	# / A###	# / A###	# / A###	# / A###	.30 MAX	WOOD	-		
131	STUDIO BEDROOM 110	1	CASEMENT	2'-6"	4'-0"	# / A###	# / A###	# / A###	# / A###	.30 MAX	WOOD	-		
131	STUDIO BEDROOM 110	1	FIXED	4'-6"	6'-10"	# / A###	# / A###	# / A###	# / A###	.30 MAX	WOOD	-	POCKET SHADE IN CEILING.	SAFETY GLAZING.
132	STUDIO BEDROOM 110	1	FIXED	4'-6"	6'-10"	# / A###	# / A###	# / A###	# / A###	.30 MAX	WOOD	-	POCKET SHADE IN CEILING.	SAFETY GLAZING.
133	STUDIO BEDROOM 110	1	FIXED	3'-7"	2'-0 1/2"	# / A###	# / A###	# / A###	# / A###	.30 MAX	WOOD	-	POCKET SHADE IN CEILING.	MULLED.
134	STUDIO BEDROOM 110	1	FIXED	3'-7"	2'-0 1/2"	# / A###	# / A###	# / A###	# / A###	.30 MAX	WOOD	-	POCKET SHADE IN CEILING.	MULLED.
135	STUDIO BEDROOM 110	1	FIXED	3'-7"	2'-0 1/2"	# / A###	# / A###	# / A###	# / A###	.30 MAX	WOOD	-	POCKET SHADE IN CEILING.	MULLED.
136	STUDIO BEDROOM 110	1	FIXED	3'-7"	2'-0 1/2"	# / A###	# / A###	# / A###	# / A###	.30 MAX	WOOD	-	POCKET SHADE IN CEILING.	MULLED.

DOOR SCHEDULE

DOOR #	ROOM	OPERATION	QTY.	FRAME SIZE		HEAD	JAMB 1	JAMB 2	THRESH	U-VALUE	INT. MATERIAL	SCREEN	SHADES	NOTES
				WIDTH	HEIGHT									
D001	MECHANICAL ROOM	SWING	1	3'-0"	6'-8"	# / A###	# / A###	# / A###	# / A###	.30 MAX	WOOD	-		
D101	ENTRY	SWING	1	6'-0"	6'-10"	# / A###	# / A###	# / A###	# / A###	.30 MAX	WOOD	-		
D102	LIVING	SWING	1	3'-0"	6'-10"	# / A###	# / A###	# / A###	# / A###	.30 MAX	WOOD	-		
D104	UTILITY	SWING	1	2'-8"	8'-0"	# / A###	# / A###	# / A###	# / A###	.30 MAX	WOOD	-		
D105	UTILITY	SLIDING	1	5'-0"	8'-0"	# / A###	# / A###	# / A###	# / A###	.30 MAX	WOOD	-		
D106	GUEST BATH	SWING	1	2'-8"	8'-0"	# / A###	# / A###	# / A###	# / A###	.30 MAX	WOOD	-		
D107	SECONDARY BEDR...	SWING	1	3'-0"	8'-0"	# / A###	# / A###	# / A###	# / A###	.30 MAX	WOOD	-		
D108	MASTER BEDROOM	SWING	1	3'-0"	8'-0"	# / A###	# / A###	# / A###	# / A###	.30 MAX	WOOD	-		
D109	MASTER BEDROOM	SLIDING	1	6'-0"	6'-10"	# / A###	# / A###	# / A###	# / A###	.30 MAX	WOOD	-		
D110	MASTER BATH	POCKET	1	5'-0"	8'-0"	# / A###	# / A###	# / A###	# / A###	.30 MAX	WOOD	-		
D111	MASTER BATH	SWING	1	2'-8"	8'-0"	# / A###	# / A###	# / A###	# / A###	.30 MAX	WOOD	-		
D112	KITCHEN/DINING	SLIDING	1	7'-2"	6'-10"	# / A###	# / A###	# / A###	# / A###	.30 MAX	WOOD	-	POCKET SHADE IN CEILING.	
D113	KITCHEN/DINING	SLIDING	1	7'-2"	6'-10"	# / A###	# / A###	# / A###	# / A###	.30 MAX	WOOD	-	POCKET SHADE IN CEILING.	
D114	LIVING	SLIDING	1	7'-2"	6'-10"	# / A###	# / A###	# / A###	# / A###	.30 MAX	WOOD	-	POCKET SHADE IN CEILING.	
D115	LIVING	SLIDING	1	7'-2"	6'-10"	# / A###	# / A###	# / A###	# / A###	.30 MAX	WOOD	-	POCKET SHADE IN CEILING.	
D116	STUDIO BEDROOM	SWING	1	3'-0"	6'-10"	# / A###	# / A###	# / A###	# / A###	.30 MAX	WOOD	-		
D117	STUDIO BEDROOM	SLIDING	1	7'-2"	6'-10"	# / A###	# / A###	# / A###	# / A###	.30 MAX	WOOD	-	POCKET SHADE IN CEILING.	
D118	STUDIO BEDROOM	SLIDING	1	7'-2"	6'-10"	# / A###	# / A###	# / A###	# / A###	.30 MAX	WOOD	-	POCKET SHADE IN CEILING.	
D119	STUDIO BEDROOM	SWING	1	3'-2"	6'-10"	# / A###	# / A###	# / A###	# / A###	.30 MAX	WOOD	-		
D120	STUDIO BATH	POCKET	1	3'-0"	8'-0"	# / A###	# / A###	# / A###	# / A###	.30 MAX	WOOD	-		
D121	STUDIO BATH	SWING	1	2'-6"	8'-0"	# / A###	# / A###	# / A###	# / A###	.30 MAX	GLASS	-		

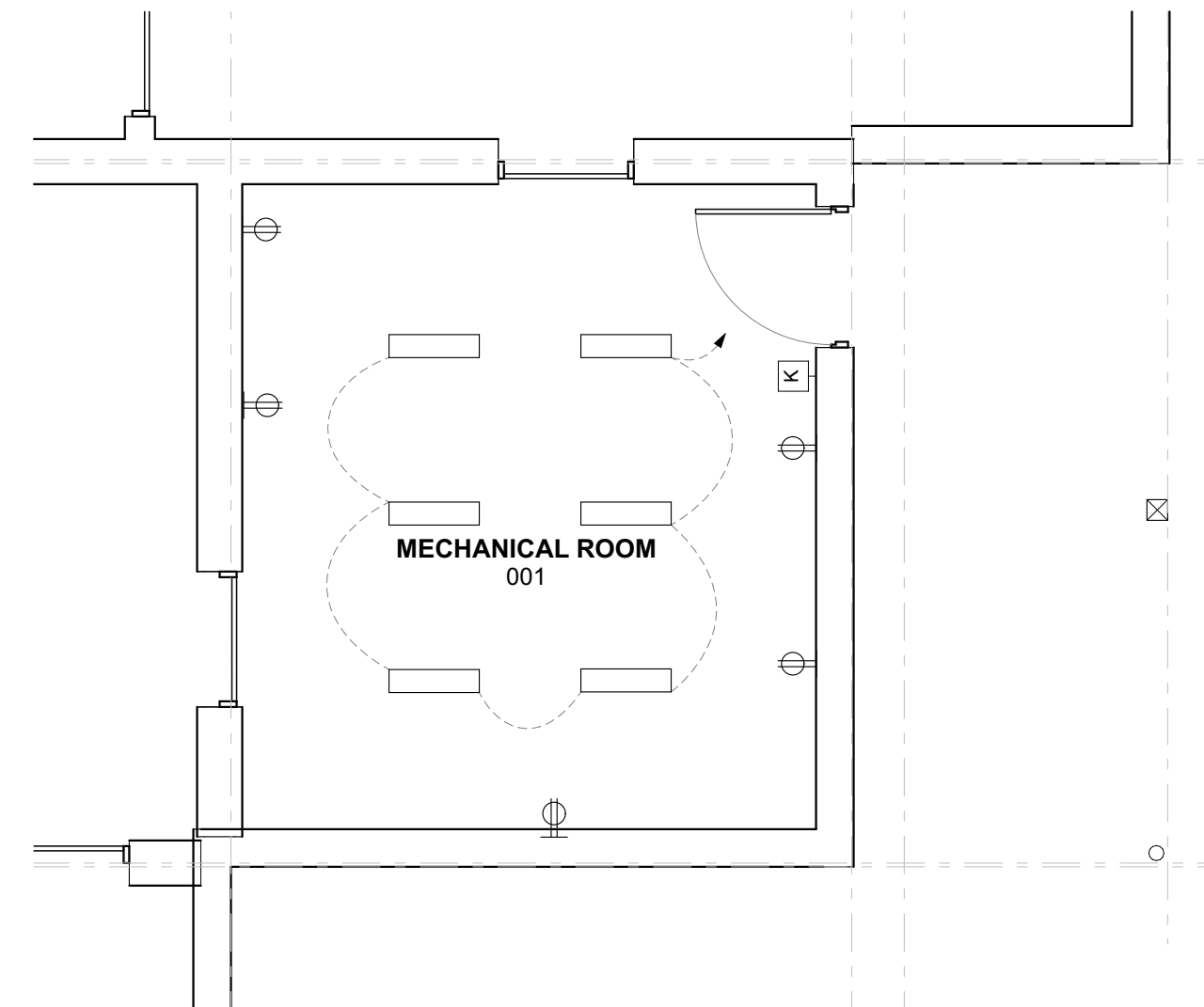
0708.2.12 WHISPER RIDGE
ADDRESS
ADDRESS

PROJECT ARCHITECT SDK
PROJECT NUMBER 0708.2.12
DATE 4/22/20

REVISIONS

NO.	DATE	DESC.

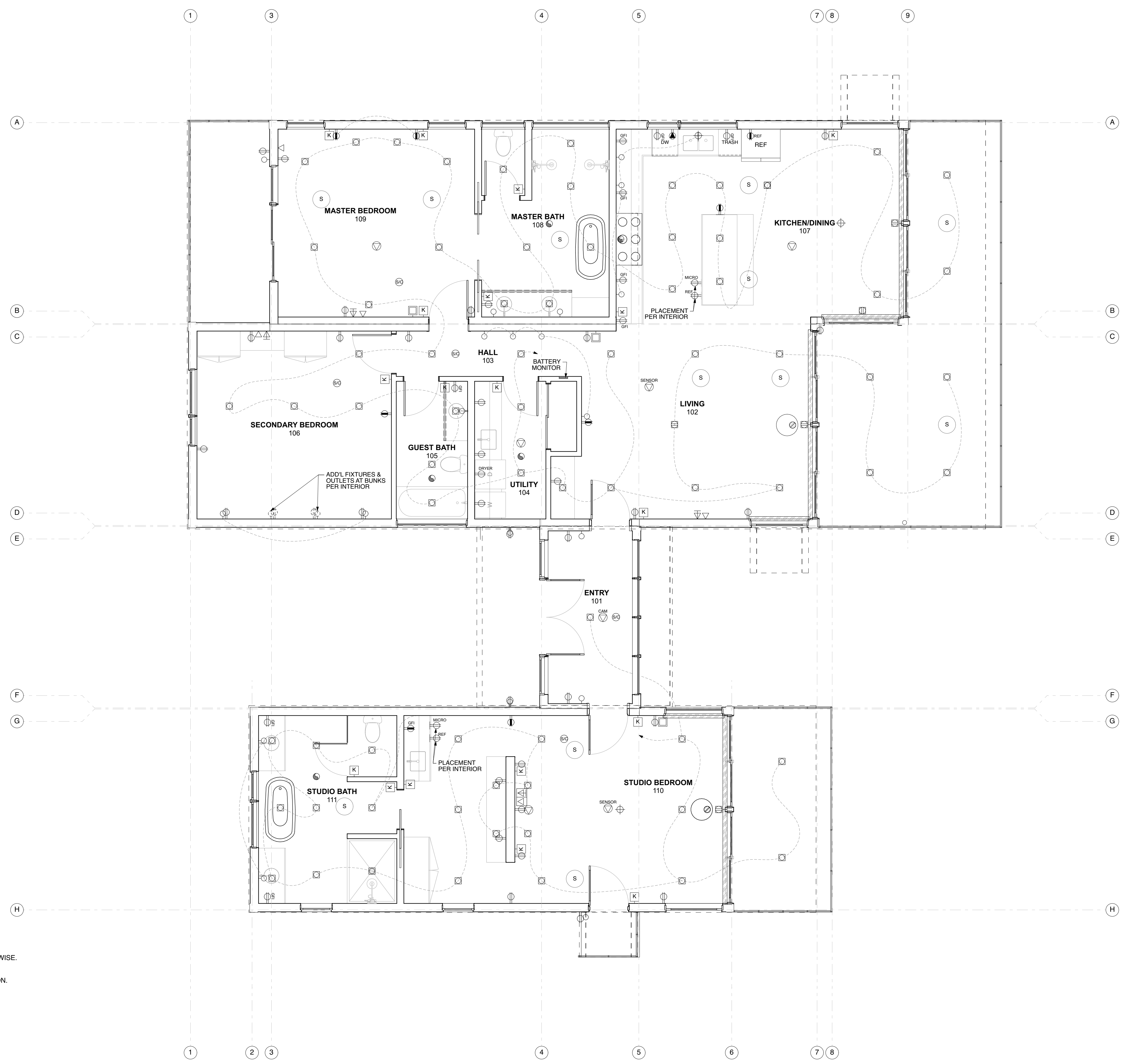
UPDATE SET
WINDOW & DOOR
SCHEDULES



2 ELECTRICAL PLAN - BASEMENT
SCALE: 1/4" = 1'-0"

	DUPLEX OUTLET		4" RECESSED CAN LIGHT
	OUTLET ON DEDICATED CIRCUIT FOR CRITICAL LOAD PANEL		WALL SCONCE
	GROUND FAULT INTERRUPT		PENDANT
	SPLIT-WIRED DUPLEX		LED STRIP LIGHT
	HARD WIRED		FLUORESCENT UTILITY
	FLOOR OUTLET		SMOKE & CARBON MONOXIDE DETECTOR
	SPLIT-WIRED FLOOR OUTLET		CEILING ACCESS PORT
	LUTRON KEYPAD		CEILING MOUNTED SENSOR
	CRESTRON TOUCH PANEL		CEILING MOUNTED CAMERA
	RECESSED SCREEN		CEILING MOUNTED SPEAKER
	CABLE		EXHAUST FAN
	TELEPHONE		MOTORIZED ROLLER SHADES
	DATA		

NOTES:
 1. ALL FIXTURES TO BE CENTERED IN SPACE, OVER DOORS/WINDOWS, OR ALONG WALL UNLESS NOTED OTHERWISE.
 2. SEE INTERIOR ELEVATIONS FOR MOUNTING HEIGHTS AND LOCATIONS.
 3. WHERE APPLICABLE, ALIGN THERMOSTATS, SWITCHES, AND OUTLETS ABOVE ONE ANOTHER.
 4. LOW VOLTAGE AND LIGHTING SHOWN FOR CLARITY. SEE RESPECTIVE LAYOUTS FOR ADDITIONAL INFORMATION.



1 ELECTRICAL PLAN - FIRST FLOOR
SCALE: 1/4" = 1'-0"

0708.2.12 WHISPER RIDGE
 ADDRESS
 ADDRESS

PROJECT ARCHITECT SDK
 PROJECT NUMBER 0708.2.12
 DATE 4/22/20

REVISIONS

NO.	DATE	DESC.

UPDATE SET
 ELECTRICAL PLAN