

GENERAL CONSTRUCTION NOTES:

GENERAL CONSTRUCTION

1. FOR THE PURPOSE OF CONSTRUCTION DRAWINGS, THE FOLLOWING DEFINITIONS SHALL APPLY:
GENERAL CONTRACTOR: T.B.D.
CONTRACTOR: T.B.D.
OWNER: AT&T
2. ALL SITE WORK SHALL BE COMPLETED AS INDICATED ON THE DRAWINGS AND AT&T PROJECT SPECIFICATIONS.
3. GENERAL CONTRACTOR SHALL VISIT THE SITE AND SHALL FAMILIARIZE HIMSELF WITH ALL CONDITIONS AFFECTING THE PROPOSED WORK AND SHALL MAKE PROVISIONS. GENERAL CONTRACTOR SHALL BE RESPONSIBLE FOR FAMILIARIZING HIMSELF WITH ALL CONTRACT DOCUMENTS, FIELD CONDITIONS, DIMENSIONS, AND CONFIRMING THAT THE WORK MAY BE ACCOMPLISHED AS SHOWN PRIOR TO PROCEEDING WITH CONSTRUCTION. ANY DISCREPANCIES SHALL BE BROUGHT TO THE ATTENTION OF THE ENGINEER PRIOR TO THE COMMENCEMENT OF WORK.
4. ALL MATERIALS FURNISHED AND INSTALLED SHALL BE IN STRICT ACCORDANCE WITH ALL APPLICABLE CODES, REGULATIONS, AND ORDINANCES. GENERAL CONTRACTOR SHALL ISSUE ALL APPROPRIATE NOTICES AND COMPLY WITH ALL LAWS, ORDINANCES, RULES, REGULATIONS, AND LAWFUL ORDERS OF ANY PUBLIC AUTHORITY REGARDING THE PERFORMANCE OF WORK.
5. ALL WORK CARRIED OUT SHALL COMPLY WITH ALL APPLICABLE MUNICIPAL AND UTILITY COMPANY SPECIFICATIONS AND LOCAL JURISDICTIONAL CODES, ORDINANCES, AND APPLICABLE REGULATIONS.
6. UNLESS NOTED OTHERWISE, THE WORK SHALL INCLUDE FURNISHING MATERIALS, EQUIPMENT, APPURTENANCES, AND LABOR NECESSARY TO COMPLETE ALL INSTALLATIONS AS INDICATED ON THE DRAWINGS.
7. PLANS ARE NOT TO BE SCALED. THESE PLANS ARE INTENDED TO BE A DIAGRAMMATIC OUTLINE ONLY UNLESS OTHERWISE NOTED. DIMENSIONS SHOWN ARE TO FINISH SURFACES UNLESS OTHERWISE NOTED. SPACING BETWEEN EQUIPMENT IS THE MINIMUM REQUIRED CLEARANCE. THEREFORE, IT IS CRITICAL TO FIELD VERIFY DIMENSIONS, SHOULD THERE BE ANY QUESTIONS REGARDING THE CONTRACT DOCUMENTS, THE CONTRACTOR SHALL BE RESPONSIBLE FOR OBTAINING A CLARIFICATION FROM THE ENGINEER PRIOR TO PROCEEDING WITH THE WORK. DETAILS ARE INTENDED TO SHOW DESIGN INTENT. MODIFICATIONS MAY BE REQUIRED TO SUIT JOB DIMENSIONS OR CONDITIONS AND SUCH MODIFICATIONS SHALL BE INCLUDED AS PART OF WORK AND PREPARED BY THE ENGINEER PRIOR TO PROCEEDING WITH WORK.
8. THE CONTRACTOR SHALL INSTALL ALL EQUIPMENT AND MATERIALS IN ACCORDANCE WITH MANUFACTURER'S RECOMMENDATIONS UNLESS SPECIFICALLY STATED OTHERWISE.
9. IF THE SPECIFIED EQUIPMENT CANNOT BE INSTALLED AS SHOWN ON THESE DRAWINGS, THE CONTRACTOR SHALL PROPOSE AN ALTERNATIVE INSTALLATION SPACE FOR APPROVAL BY THE ENGINEER PRIOR TO PROCEEDING.
10. GENERAL CONTRACTOR SHALL BE RESPONSIBLE FOR THE SAFETY OF WORK AREA, ADJACENT AREAS AND BUILDING OCCUPANTS THAT ARE LIKELY TO BE AFFECTED BY THE WORK UNDER THIS CONTRACT. WORK SHALL CONFIRM TO ALL OSHA REQUIREMENTS AND THE LOCAL JURISDICTION.
11. GENERAL CONTRACTOR SHALL COORDINATE WORK AND SCHEDULE WORK ACTIVITIES WITH OTHER DISCIPLINES.
12. ERECTION SHALL BE DONE IN A WORKMANLIKE MANNER BY COMPETENT EXPERIENCED WORKMAN IN ACCORDANCE WITH APPLICABLE CODES AND THE BEST ACCEPTED PRACTICE. ALL MEMBERS SHALL BE LAID PLUMB AND TRUE AS INDICATED ON THE DRAWINGS.
13. SEAL PENETRATIONS THROUGH FIRE RATED AREAS WITH UL LISTED MATERIALS APPROVED BY LOCAL JURISDICTION. CONTRACTOR SHALL KEEP AREA CLEAN, HAZARD FREE, AND DISPOSE OF ALL DEBRIS.
14. WORK PREVIOUSLY COMPLETED IS REPRESENTED BY LIGHT SHADED LINES AND NOTES. THE SCOPE OF WORK FOR THIS PROJECT IS REPRESENTED BY DARK SHADED LINES AND NOTES. CONTRACTOR SHALL NOTIFY THE GENERAL CONTRACTOR OF ANY EXISTING CONDITIONS THAT DEVIATE FROM THE DRAWINGS PRIOR TO BEGINNING CONSTRUCTION.
15. CONTRACTOR SHALL PROVIDE WRITTEN NOTICE TO THE CONSTRUCTION MANAGER 48 HOURS PRIOR TO COMMENCEMENT OF WORK.
16. THE CONTRACTOR SHALL PROTECT EXISTING IMPROVEMENTS, PAVEMENTS, CURBS, LANDSCAPING AND STRUCTURES. ANY DAMAGED PART SHALL BE REPAIRED AT CONTRACTOR'S EXPENSE TO THE SATISFACTION OF THE OWNER.
17. THE CONTRACTOR SHALL CONTACT UTILITY LOCATING SERVICES PRIOR TO THE START OF CONSTRUCTION.
18. GENERAL CONTRACTOR SHALL COORDINATE AND MAINTAIN ACCESS FOR ALL TRADES AND CONTRACTORS TO THE SITE AND/OR BUILDING.
19. THE GENERAL CONTRACTOR SHALL BE RESPONSIBLE FOR SECURITY OF THE SITE FOR THE DURATION OF CONSTRUCTION UNTIL JOB COMPLETION.
20. THE GENERAL CONTRACTOR SHALL MAINTAIN IN GOOD CONDITION ONE COMPLETE SET OF PLANS WITH ALL REVISIONS, ADDENDA, AND CHANGE ORDERS ON THE PREMISES AT ALL TIMES.
21. THE GENERAL CONTRACTOR SHALL PROVIDE PORTABLE FIRE EXTINGUISHERS WITH A RATING OF NOT LESS THAN 2-A OT 2-A:10-B:C AND SHALL BE WITHIN 25 FEET OF TRAVEL DISTANCE TO ALL PORTIONS OF WHERE THE WORK IS BEING COMPLETED DURING CONSTRUCTION.

22. ALL EXISTING ACTIVE SEWER, WATER, GAS, ELECTRIC, AND OTHER UTILITIES SHALL BE PROTECTED AT ALL TIMES, AND WHERE REQUIRED FOR THE PROPER EXECUTION OF THE WORK, SHALL BE RELOCATED AS DIRECTED BY THE ENGINEER AND RF. EXTREME CAUTION SHOULD BE USED BY THE CONTRACTOR WHEN EXCAVATING OR DRILLING PIERS AROUND OR NEAR UTILITIES. CONTRACTOR SHALL PROVIDE SAFETY TRAINING FOR THE WORKING CREW. THIS SHALL INCLUDE BUT NOT BE LIMITED TO A) FALL PROTECTION, B) CONFINED SPACE, C) ELECTRICAL SAFETY, AND D) TRENCHING & EXCAVATION.
 23. ALL EXISTING INACTIVE SEWER, WATER, GAS, ELECTRIC, AND OTHER UTILITIES, WHICH INTERFERE WITH THE EXECUTION OF THE WORK, SHALL BE REMOVED, CAPPED, PLUGGED OR OTHERWISE DISCONNECTED AT POINTS WHICH WILL NOT INTERFERE WITH THE EXECUTION OF THE WORK, AS DIRECTED BY THE RESPONSIBLE ENGINEER, AND SUBJECT TO THE APPROVAL OF THE OWNER AND/OR LOCAL UTILITIES.
 24. THE AREAS OF THE OWNER'S PROPERTY DISTURBED BY THE WORK AND NOT COVERED BY THE TOWER, EQUIPMENT OR DRIVEWAY, SHALL BE GRADED TO A UNIFORM SLOPE, AND STABILIZED TO PREVENT EROSION.
 25. CONTRACTOR SHALL MINIMIZE DISTURBANCE TO THE EXISTING SITE DURING CONSTRUCTION. EROSION CONTROL MEASURES, IF REQUIRED DURING CONSTRUCTION, SHALL BE IN CONFORMANCE WITH THE FEDERAL AND LOCAL JURISDICTION FOR EROSION AND SEDIMENT CONTROL.
 26. NO FILL OR EMBANKMENT MATERIAL SHALL BE PLACED ON FROZEN GROUNDING. FROZEN MATERIALS, SNOW OR ICE SHALL NOT BE PLACED IN ANY FILL OR EMBANKMENT.
 27. THE SUBGRADE SHALL BE BROUGHT TO A SMOOTH UNIFORM GRADE AND COMPACTED TO 95 PERCENT STANDARD PROCTOR DENSITY UNDER PAVEMENT AND STRUCTURES AND 80 PERCENT STANDARD PROCTOR DENSITY IN OPEN SPACE. ALL TRENCHES IN PUBLIC RIGHT OF WAY SHALL BE BACKFILLED WITH FLOWABLE FILL OR OTHER MATERIAL PRE-APPROVED BY THE LOCAL JURISDICTION.
 28. ALL NECESSARY RUBBISH, STUMPS, DEBRIS, STICKS, STONES, AND OTHER REFUSE SHALL BE REMOVED FROM THE SITE AND DISPOSED OF IN A LAWFUL MANNER.
 29. ALL BROCHURES, OPERATING AND MAINTENANCE MANUALS, CATALOGS, SHOP DRAWINGS, AND OTHER DOCUMENTS SHALL BE TURNED OVER TO THE GENERAL CONTRACTOR AT COMPLETION OF CONSTRUCTION AND PRIOR TO PAYMENT.
 30. CONTRACTOR SHALL SUBMIT A COMPLETE SET OF AS-BUILT REDLINES TO THE GENERAL CONTRACTOR UPON COMPLETION OF PROJECT AND PRIOR TO FINAL PAYMENT.
 31. CONTRACTOR SHALL LEAVE PREMISES IN A CLEAN CONDITION.
 32. THE PROPOSED FACILITY WILL BE UNMANNED AND DOES NOT REQUIRE POTABLE WATER OR SEWER SERVICE, AND IS NOT FOR HUMAN HABITAT (NO HANDICAP ACCESS REQUIRED).
 33. OCCUPANCY IS LIMITED TO PERIODIC MAINTENANCE AND INSPECTION, APPROXIMATELY 2 TIMES PER MONTH, BY AT&T TECHNICIANS.
 34. NO OUTDOOR STORAGE OR SOLID WASTE CONTAINERS ARE PROPOSED.
 35. ALL MATERIAL SHALL BE FURNISHED AND WORK SHALL BE PERFORMED IN ACCORDANCE WITH THE LATEST REVISION AT&T MOBILITY GROUNDING STANDARD "TECHNICAL SPECIFICATION FOR CONSTRUCTION OF GSM/GPRS WIRELESS SITES" AND "TECHNICAL SPECIFICATION FOR FACILITY GROUNDING". IN CASE OF A CONFLICT BETWEEN THE CONSTRUCTION SPECIFICATION AND THE DRAWINGS, THE DRAWINGS SHALL GOVERN.
 36. CONTRACTORS SHALL BE RESPONSIBLE FOR OBTAINING ALL PERMITS AND INSPECTIONS REQUIRED FOR CONSTRUCTION. IF CONTRACTOR CANNOT OBTAIN A PERMIT, THEY MUST NOTIFY THE GENERAL CONTRACTOR IMMEDIATELY.
 37. CONTRACTOR SHALL REMOVE ALL TRASH AND DEBRIS FROM THE SITE ON A DAILY BASIS.
 38. INFORMATION SHOWN ON THESE DRAWINGS WAS OBTAINED FROM SITE VISITS AND/OR DRAWINGS PROVIDED BY THE SITE OWNER. CONTRACTORS SHALL NOTIFY THE ENGINEER OF ANY DISCREPANCIES PRIOR TO ORDERING MATERIAL OR PROCEEDING WITH CONSTRUCTION.
 39. NO WHITE STROBE LIGHTS ARE PERMITTED. LIGHTING IF REQUIRED, WILL MEET FAA STANDARDS AND REQUIREMENTS.
 40. ALL COAXIAL CABLE INSTALLATIONS TO FOLLOW MANUFACTURER'S INSTRUCTIONS AND RECOMMENDATIONS.
- ANTENNA MOUNTING**
41. DESIGN AND CONSTRUCTION OF ANTENNA SUPPORTS SHALL CONFORM TO CURRENT ANSI/TIA-222 OR APPLICABLE LOCAL CODES.
 42. ALL STEEL MATERIALS SHALL BE GALVANIZED AFTER FABRICATION IN ACCORDANCE WITH ASTM A123 "ZINC (HOT-DIP GALVANIZED) COATINGS ON IRON AND STEEL PRODUCTS", UNLESS NOTED OTHERWISE.
 43. ALL BOLTS, ANCHORS AND MISCELLANEOUS HARDWARE SHALL BE GALVANIZED IN ACCORDANCE WITH ASTM A153 "ZINC-COATING (HOT-DIP) ON IRON AND STEEL HARDWARE", UNLESS NOTED OTHERWISE.
 44. DAMAGED GALVANIZED SURFACES SHALL BE REPAIRED BY COLD GALVANIZING IN ACCORDANCE WITH ASTM A780.
 45. ALL ANTENNA MOUNTS SHALL BE INSTALLED WITH LOCK NUTS, DOUBLE NUTS AND SHALL BE TORQUED TO MANUFACTURER'S RECOMMENDATIONS.

46. CONTRACTOR SHALL INSTALL ANTENNA PER MANUFACTURER'S RECOMMENDATION FOR INSTALLATION AND GROUNDING.
47. ALL UNUSED PORTS ON ANY ANTENNA SHALL BE COVERED WITH CONCEALOR CAP WITH PROPER WEATHER PROOFING OR BE TERMINATED WITH A 50 Ω LOAD.
48. PRIOR TO SETTING ANTENNA AZIMUTHS AND DOWNTILTS, ANTENNA CONTRACTOR SHALL CHECK THE ANTENNA MOUNT FOR TIGHTNESS AND ENSURE THAT THEY ARE PLUMB. ANTENNA AZIMUTHS SHALL BE SET FROM TRUE NORTH AND BE ORIENTED WITHIN +/- 5° AS DEFINED BY THE RFDS. ANTENNA DOWNTILTS SHALL BE WITHIN +/- 0.5° AS DEFINED BY THE RFDS. REFER TO ND-00246.
49. JUMPERS WHERE REQUIRED MUST TERMINATE TO OPPOSITE POLARIZATION'S IN EACH SECTOR.
50. CONTRACTOR SHALL RECORD THE SERIAL #, SECTOR, AND POSITION OF EACH AT&T COMPONENT
51. TMA'S SHALL BE MOUNTED ON PIPE DIRECTLY BEHIND ANTENNAS AS CLOSE TO ANTENNA AS FEASIBLE IN A VERTICAL POSITION (IF REQUIRED).

TORQUE REQUIREMENTS


52. ALL RF CONNECTIONS SHALL BE TIGHTENED BY A TORQUE WRENCH.
53. ALL RF CONNECTIONS, GROUNDING HARDWARE AND ANTENNA HARDWARE SHALL HAVE A TORQUE MARK INSTALLED IN A CONTINUOUS STRAIGHT LINE FROM BOTH SIDES OF THE CONNECTION.
 - A. RF CONNECTION BOTH SIDES OF THE CONNECTOR.
 - B. GROUNDING AND ANTENNA HARDWARE ON THE NUT SIDE STARTING FROM THE THREADS TO THE SOLID SURFACE. EXAMPLE OF SOLID SURFACE: GROUND BAR, ANTENNA BRACKET METAL.
54. ALL 8M ANTENNA HARDWARE SHALL BE TIGHTENED TO 9 LB-FT (12 NM).
55. ALL 12M ANTENNA HARDWARE SHALL BE TIGHTENED TO 43 LB-FT (58 NM).
56. ALL GROUNDING HARDWARE SHALL BE TIGHTENED UNTIL THE LOCK WASHER COLLAPSES AND THE GROUNDING HARDWARE IS NO LONGER LOOSE.
57. ALL DIN TYPE CONNECTIONS SHALL BE TIGHTENED TO 18-22 LB-FT (24.4 - 29.8 NM).
58. ALL N TYPE CONNECTIONS SHALL BE TIGHTENED TO 15-20 LB-IN (1.7 - 2.3 NM).


FIBER & POWER CABLE MOUNTING

59. THE FIBER OPTIC TRUNK CABLES SHALL BE INSTALLED INTO CONDUITS, CHANNEL CABLE TRAYS, OR CABLE TRAY. WHEN INSTALLING FIBER OPTIC TRUNK CABLES INTO A CABLE TRAY SYSTEM, THEY SHALL BE INSTALLED INTO AN INTER DUCT AND A PARTITION BARRIER SHALL BE INSTALLED BETWEEN THE 600 VOLT CABLES AND THE INTER DUCT IN ORDER TO SEGREGATE CABLE TYPES. OPTIC FIBER TRUNK CABLES SHALL HAVE APPROVED CABLE RESTRAINTS EVERY (6) SIX FEET AND SECURELY FASTENED TO THE CABLE TRAY SYSTEM. NFPA 70 (NEC) ARTICLE 770 RULES SHALL APPLY.
60. THE TYPE TC-ER CABLES SHALL BE INSTALLED INTO CONDUITS, CHANNEL CABLE TRAYS, OR CABLE TRAY AND SHALL BE SECURED AT INTERVALS NOT EXCEEDING (6) SIX FEET. AN EXCEPTION; WHERE TYPE TC-ER CABLES ARE NOT SUBJECT TO PHYSICAL DAMAGE, CABLES SHALL BE PERMITTED TO MAKE A TRANSITION BETWEEN CONDUITS, CHANNEL CABLE TRAYS, OR CABLE TRAY WHICH ARE SERVING UTILIZATION EQUIPMENT OR DEVICES, A DISTANCE (6) SIX FEET SHALL NOT BE EXCEEDED WITHOUT CONTINUOUS SUPPORTING. NFPA 70 (NEC) ARTICLES 336 AND 392 RULES SHALL APPLY.
61. WHEN INSTALLING OPTIC FIBER TRUNK CABLES OR TYPE TC-ER CABLES INTO CONDUITS, NFPA 70 (NEC) ARTICLE 300 RULES SHALL APPLY.

AT&T Site ID:
UTL03026
546 OGDEN CANYON
OGDEN, UT 84401

Tower Owner:
 CROWN CASTLE
2055 SOUTH STEARMAN DRIVE
CHANDLER, AZ 85286

PREPARED FOR
 at&t Mobility
161 Inverness Drive West 2nd floor
Englewood, Colorado 80112

A&E:
 TELCYTE
INFRASTRUCTURE SERVICES
3450 N. HIGLEY RD, BLDG. 2, SUITE 102
MESA, AZ 85215

AT&T SITE NO: UTL03026
BU NO: 5800296
DRAWN BY: JM
CHECKED BY: CM

REV	DATE	DESCRIPTION
A	11/21/19	PRELIMINARY CDs
B	3/10/20	CLIENT COMMENTS

Licenser:

IT IS A VIOLATION OF LAW FOR ANY PERSON, UNLESS THEY ARE ACTING UNDER THE DIRECTION OF A LICENSED PROFESSIONAL ENGINEER, TO ALTER THIS DOCUMENT.

Issued For:
3/10/20
PRELIMINARY CDs

SHEET TITLE:
GENERAL NOTES

SHEET NUMBER:
GN-1

GENERAL CONSTRUCTION NOTES CONTINUED:

COAXIAL CABLE NOTES

- 62. TYPES AND SIZES OF THE ANTENNA CABLE ARE BASED ON ESTIMATED LENGTHS. PRIOR TO ORDERING CABLE, CONTRACTOR SHALL VERIFY ACTUAL LENGTH BASED ON CONSTRUCTION LAYOUT AND NOTIFY THE PROJECT MANAGER IF ACTUAL LENGTHS EXCEED ESTIMATED LENGTHS.
- 63. CONTRACTOR SHALL VERIFY THE DOWN-TILT OF EACH ANTENNA WITH A DIGITAL LEVEL.
- 64. CONTRACTOR SHALL CONFIRM COAX COLOR CODING PRIOR TO CONSTRUCTION. REFER TO "ANTENNA SYSTEM LABELING STANDARD" ND-00027 LATEST VERSION.
- 65. CONTRACTOR SHALL FOLLOW ALL MANUFACTURER'S RECOMMENDATIONS REGARDING BOTH THE INSTALLATION AND GROUNDING OF ALL COAXIAL CABLES, CONNECTORS, ANTENNAS, AND ALL OTHER EQUIPMENT.
- 66. CONTRACTOR SHALL WEATHERPROOF ALL ANTENNA CONNECTORS WITH SELF AMALGAMATING TAPE WEATHERPROOFING SHALL BE COMPLETED IN STRICT ACCORDANCE WITH AT&T STANDARDS..








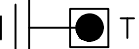

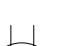





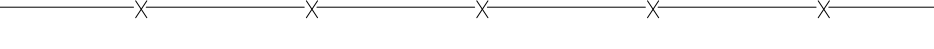
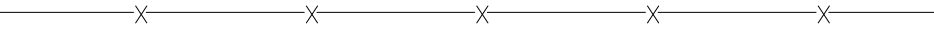
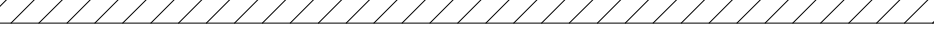

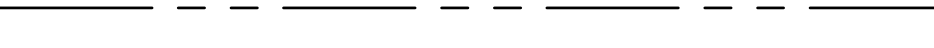
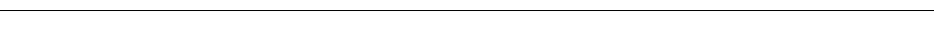

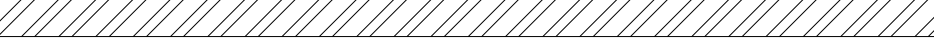

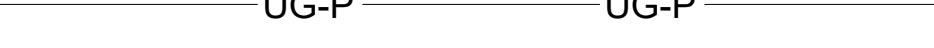







GENERAL CABLE AND EQUIPMENT NOTES

- 70. CONTRACTOR SHALL BE RESPONSIBLE TO VERIFY ANTENNA, TMAS, DIPLEXERS, AND COAX CONFIGURATION, MAKE AND MODELS PRIOR TO INSTALLATION.
- 71. ALL CONNECTIONS FOR HANGERS, SUPPORTS, BRACING, ETC. SHALL BE INSTALLED PER TOWER MANUFACTURER'S RECOMMENDATIONS.
- 72. CONTRACTOR SHALL REFERENCE THE TOWER STRUCTURAL ANALYSIS/DESIGN DRAWINGS FOR DIRECTIONS ON CABLE DISTRIBUTION/ROUTING.
- 73. ALL OUTDOOR RF CONNECTORS/CONNECTIONS SHALL BE WEATHERPROOFED, EXCEPT THE RET CONNECTORS, USING BUTYL TAPE AFTER INSTALLATION AND FINAL CONNECTIONS ARE MADE. BUTYL TAPE SHALL HAVE A MINIMUM OF ONE-HALF TAPE WIDTH OVERLAP ON EACH TURN AND EACH LAYER SHALL BE WRAPPED THREE TIMES. WEATHERPROOFING SHALL BE SMOOTH WITHOUT BUCKLING. BUTYL BLEEDING IS NOT ALLOWED. SELF BONDING TAPE AND PLASTIC ENCLOSURES ALSO PERMITTED PER ATT-002-290-041 SECTION 7.
- 74. IF REQUIRED TO PAINT ANTENNAS AND/OR COAX:
 - A. TEMPERATURE SHALL BE ABOVE 50° F.
 - B. PAINT COLOR MUST BE APPROVED BY BUILDING OWNER/LANDLORD.
 - C. FOR REGULATED TOWERS, FAA/FCC APPROVED PAINT IS REQUIRED.
 - D. DO NOT PAINT OVER COLOR CODING OR ON EQUIPMENT MODEL NUMBERS.
- 76. ALL PROPOSED GROUND BAR DOWNLEADS ARE TO BE TERMINATED TO THE EXISTING ADJACENT GROUND BAR DOWNLEADS A MINIMUM DISTANCE OF 4'-0" BELOW GROUND BAR. TERMINATIONS MAY BE EXOTHERMIC OR COMPRESSION.
- 77. THE CONTRACTOR SHALL BE RESPONSIBLE FOR VERIFYING THE ANTENNA AND THE COAX CONFIGURATION IS THE CORRECT MAKE AND MODELS, PRIOR TO INSTALLATION.
- 78. ALL CONNECTIONS FOR HANGERS, SUPPORTS, BRACING, ETC. SHALL BE INSTALLED PER TOWER MANUFACTURER'S SPECIFICATION & RECOMMENDATIONS.
- 79. ANTENNA CONTRACTOR SHALL FURNISH AND INSTALL A 12'-0" T-BOOM SECTOR ANTENNA MOUNT, IF APPLICABLE, INCLUDING ALL HARDWARE.

DRAWING ABBREVIATIONS

AFF	ABOVE FINISH FLOOR	LF	LINEAR FEET
AGL	ABOVE GRADE LEVEL	MAX	MAXIMUM
AWG	AMERICAN WIRE GAUGE	MECH	MECHANICAL
AC	AIR CONDITIONING	MFR	MANUFACTURER
APPROX	APPROXIMATELY	MGR	MANAGER
AZ	AZIMUTH	MIN	MINIMUM
BLDG	BUILDING	MISC	MISCELLANEOUS
CM	CONSTRUCTION MANAGER	MTL	METAL
CAB	CABINET	MW	MICROWAVE
CL	CENTERLINE	NEC	NATIONAL ELECTRICAL CODE
CLG	CEILING	NIC	NOT IN CONTRACT
CLR	CLEAR	NTS	NOT TO SCALE
CO	COPPER	N/A	NOT APPLICABLE
CONC	CONCRETE	OC	ON CENTER
COND	CONDUIT	OD	OUTSIDE DIAMETER
CONST	CONSTRUCTION	OP	OVERHEAD POWER
CONT	CONTINUOUS	OT	OVERHEAD FIBER
D/C	DRAFTER/CHECKER	OPP	OPPOSITE
DEMO	DEMOLISH	PL	PROPERTY LINE
DIA OR Ø	DIAMETER	PLYWD	PLYWOOD
DIM	DIMENSION	PM	PROJECT MANAGER
DN	DOWN	PROJ	PROJECT
DTL	DETAIL	PROP	PROPERTY
DWG	DRAWING	PT	PRESSURE TREATED
EA	EACH	RF	RADIO-FREQUENCY
ELECT	ELECTRICAL	RO	ROUGH OPENING
ELEV	ELEVATION	ROW	RIGHT OF WAY
EQ	EQUAL	RRU	REMOTE RADIO UNIT
EQUIP	EQUIPMENT	REQ	REQUIRED
EXT	EXTERIOR	SBTC	SOLID BARE TINNED COPPER
FIN	FINISH	SF	SQUARE FEET
FLR	FLOOR	SHT	SHEET
FRP	FIBERGLASS REINFORCED POLYMER	SPEC	SPECIFICATION
FT	FOOT, FEET	SQ	SQUARE
GA	GAUGE	SS	STAINLESS STEEL
GALV	GALVANIZED	STL	STEEL
GC	GENERAL CONTRACTOR	STRUCT	STRUCTURE, STRUCTURAL
GLB	GLULAM BEAM	TOC	TOP OF CONCRETE
GWB	GYPSUM WALL BOARD	TOM	TOP OF MASONRY
GR	GRADE	THRU	THROUGH
GRND	GROUND	TYP	TYPICAL
HVAC	HEATING/VENTING/AIR CONDITIONING	UBC	UNIFORM BUILDING CODE
HORIZ	HORIZONTAL	UG	UNDERGROUND
HT	HEIGHT	UNO	UNLESS NOTED OTHERWISE
IBC	INTERNATIONAL BUILDING CODE	UP	UNDERGROUND POWER
ID	INSIDE DIAMETER	UF	UNDERGROUND FIBER
IN	INCH	VIF	VERIFY IN FIELD
INSUL	INSULATION	VERT	VERTICAL
INT	INTERIOR	WP	WATERPROOF
JBOX	JUNCTION BOX	W/	WITH
LB(S) OR #	POUND(S)	W/O	WITHOUT


LEGEND


- EXOTHERMIC CONNECTION 
- MECHANICAL CONNECTION 
- CHEMICAL ELECTROLYTIC GROUNDING SYSTEM 
- TEST CHEMICAL ELECTROLYTIC GROUNDING SYSTEM 
- EXOTHERMIC WITH INSPECTION SLEEVE 
- GROUNDING BAR 
- GROUND ROD 
- TEST GROUND ROD WITH INSPECTION SLEEVE 
- SINGLE POLE SWITCH 
- DUPLEX RECEPTACLE 
- DUPLEX GFCI RECEPTACLE 
- FLUORESCENT LIGHTING FIXTURE 
- SMOKE DETECTION (DC) 
- EMERGENCY LIGHTING (DC) 
- SECURITY LIGHT W/PHOTOCELL 
- CHAIN LINK FENCE 
- WOOD/WROUGHT IRON FENCE 
- WALL STRUCTURE 
- LEASE AREA 
- PROPERTY LINE (PL) 
- SETBACKS 
- ICE BRIDGE 
- CABLE TRAY 
- WATER LINE 
- UNDERGROUND POWER 
- UNDERGROUND TELCO 
- OVERHEAD POWER 
- OVERHEAD TELCO 
- UNDERGROUND TELCO/POWER 
- ABOVE GROUND POWER 
- ABOVE GROUND TELCO 
- ABOVE GROUND TELCO/POWER 

AT&T Site ID:
UTL03026
546 OGDEN CANYON
OGDEN, UT 84401

Tower Owner:

2055 SOUTH STEARMAN DRIVE
CHANDLER, AZ 85286

PREPARED FOR

161 Inverness Drive West 2nd floor
Englewood, Colorado 80112

A&E:

3450 N. HIGLEY RD, BLDG. 2, SUITE 102
MESA, AZ 85215

AT&T SITE NO: UTL03026
BU NO: 5800296
DRAWN BY: JM
CHECKED BY: CM

REV	DATE	DESCRIPTION
A	11/21/19	PRELIMINARY CDs
B	3/10/20	CLIENT COMMENTS

Licensors:

IT IS A VIOLATION OF LAW FOR ANY PERSON, UNLESS THEY ARE ACTING UNDER THE DIRECTION OF A LICENSED PROFESSIONAL ENGINEER, TO ALTER THIS DOCUMENT.

Issued For:
3/10/20
PRELIMINARY CDs

SHEET TITLE:
GENERAL NOTES

SHEET NUMBER:
GN-2

GENERAL CONCRETE WORK NOTES:

PART 1 - GENERAL

1.1 SCOPE:

- A. FORM WORK, REINFORCING STEEL, ACCESSORIES, CAST-IN PLACE CONCRETE, FINISHING, CURING AND TESTING FOR STRUCTURAL CONCRETE FOUNDATIONS.

1.2 REFERENCES:

- A. ACI (AMERICAN CONCRETE INSTITUTE)

1. ACI 301 SPECIFICATION FOR STRUCTURAL CONCRETE FOR BUILDINGS.

2. ACI 304 RECOMMENDED PRACTICE FOR MEASURING, MIXING, TRANSPORTING AND PLACING CONCRETE.

3. ACI 305 RECOMMENDED PRACTICE FOR HOT WEATHER CONCRETING.

4. ACI 306 RECOMMENDED PRACTICE FOR COLD WEATHER CONCRETING.

5. ACI 308 STANDARD PRACTICE FOR CURING CONCRETING.

6. ACI 309 STANDARD PRACTICE FOR CONSOLIDATION OF CONCRETE.

7. ACI 318 BUILDING CODE REQUIREMENTS FOR REINFORCED CONCRETE.

8. ACI 347 RECOMMENDED PRACTICE FOR CONCRETE FORMWORK.

- B. ASTM (AMERICAN SOCIETY FOR TESTING AND MATERIALS). THE APPLICABLE STANDARDS OF THE AMERICAN SOCIETY FOR TESTING AND MATERIALS ARE LISTED IN THE ACI STANDARDS AND ARE A PART OF THIS SPECIFICATION.

PART 2 - PRODUCTS

2.1 REINFORCING MATERIALS:

- A. REINFORCING BARS: ASTM A615, GRADE 60, PROPOSED DEFORMED BILLET-STEEL BARS, PLAIN FINISH.

- B. FURNISH CHAIRS, BOLSTERS, BAR SUPPORTS, SPACERS AS REQUIRED FOR SUPPORT OF REINFORCING STEEL AND WIRE FABRIC.

2.2 CONCRETE MATERIALS:

- A. PORTLAND CEMENT SHALL BE TYPE II, CONFORMING TO ASTM C-150.

- B. AGGREGATE SHALL CONFORM TO ASTM C-33.

1. FINE AGGREGATE SHALL BE UNIFORMLY GRADED, CLEAN SHARP, WASHED NATURAL, OR CRUSHED SAND, FREE FROM ORGANIC IMPURITIES.

2. COARSE AGGREGATE SHALL BE NATURAL WASHED GRAVEL OR WASHED CRUSHED ROCK HAVING HARD, STRONG, DURABLE PIECES, FREE FROM ADHERENT COATINGS.

3. MAXIMUM SIZE OF COARSE AGGREGATE SHALL BE 3/4 INCH IN ACCORDANCE WITH THE REQUIREMENTS OF ASTM C-33 GRADATION SIZE NO. 67.

- C. WATER USED IN CONCRETE MIX SHALL BE POTABLE, CLEAN, AND FREE FROM OILS, ACIDS, SALTS, CHLORIDES, ALKALI, SUGAR, VEGETABLE, OR OTHER INJURIOUS SUBSTANCES.

- D. THE CONCRETE SHALL CONTAIN AN AIR-ENTRAINING ADMIXTURE COMPLYING WITH THE REQUIREMENTS OF ASTM C-260 AND ACI 212. 1R AND A WATER- REDUCING ADMIXTURE COMPLYING WITH THE REQUIREMENTS OF ASTM C-494 AND ACI 212. 1R. ADMIXTURES SHALL BE PURCHASED AND BATCHED IN LIQUID SOLUTION. THE USE OF CALCIUM CHLORIDE OR AN ADMIXTURE CONTAINING CALCIUM CHLORIDE IS PROHIBITED. ADMIXTURES SHALL BE OF THE SAME MANUFACTURER TO ASSURE COMPATIBILITY. ACCEPTABLE MANUFACTURERS ARE:

1. W.R. GRACE

2. SIKA CORP.

3. MASTER BUILDERS

4. EUCLID CHEMICAL CO.

- E. CURING COMPOUND SHALL CONFORM TO ASTM C309, TYPE I, ID, CLASS A AND B AND ASTM C171 AS APPLICABLE.

2.3 CONCRETE MIX:

- A. PROPORTION CONCRETE MIX IN ACCORDANCE WITH REQUIREMENTS OF ACI 301. THE STRENGTH OF CONCRETE SHALL BE AS INDICATED ON THE DRAWINGS. WHERE STRENGTH IS NOT CLEARLY INDICATED, CONCRETE OF MINIMUM 28 DAY COMPRESSIVE STRENGTH OF 4000 P.S.I. SHALL BE USED.

- B. THE CONCRETE MIX SHALL BE DESIGNED FOR A MAXIMUM SLUMP OF THREE INCHES AT THE POINT OF DISCHARGE. MIXES OF THE STIFFEST CONSISTENCY THAT CAN BE EFFICIENTLY PLACED SHALL BE USED.

- C. ALL CONCRETE SHALL HAVE (3) TO FIVE (5) PERCENT ENTRAINED AIR.

- D. ALL STRUCTURAL CONCRETE SHALL CONTAIN A WATER-REDUCING AGENT.

PART 3 - EXECUTION

3.1 GENERAL:

- A. CONSTRUCT AND ERECT THE FORM WORK IN ACCORDANCE WITH ACI 301 AND ACI 347.

- B. COLD-WEATHER CONCRETING SHALL BE IN ACCORDANCE WITH ACI 306.

- C. HOT-WEATHER CONCRETING SHALL BE IN ACCORDANCE WITH ACI 305.

3.2 INSERTS, EMBEDDED COMPONENTS AND OPENINGS:

- A. CONTRACTOR SHALL CHECK ALL CIVIL, ARCHITECTURAL, STRUCTURAL AND ELECTRICAL DRAWINGS FOR OPENINGS, SLEEVES, ANCHOR BOLTS, INSERTS AND OTHER ITEMS TO BE BUILT INTO THE CONCRETE WORK.

- B. COORDINATE THE WORK OF OTHER SECTION IN FORMING AND SETTING OPENINGS. RECESSES, SLOTS, CHASES, ANCHORS, INSERTS AND OTHER ITEMS TO BE EMBEDDED.

- C. EMBEDDED ITEMS SHALL BE SET ACCURATELY IN LOCATION, ALIGNMENT, ELEVATION AND PLUMBNESS, LOCATE AND MEASURE FROM ESTABLISHED SURVEYED REFERENCE BENCHMARKS.

- D. EMBEDDED ITEMS SHALL BE ANCHORED INTO PLACE IN A MANNER TO PREVENT MOVEMENT DURING CONCRETE PLACEMENT AND CONSOLIDATION. COMPONENTS FORMING A PART OF A COMPLETE ASSEMBLY SHALL BE ALIGNED BEFORE ANCHORING INTO PLACE. PROVIDE TEMPORARY BRACING, ANCHORAGE, AND TEMPLATES AS REQUIRED TO MAINTAIN THE SETTING AND ALIGNMENT.

3.3 REINFORCEMENT PLACEMENT:

- A. PLACE REINFORCEMENT ACCORDING TO CHECKED AND RELEASED DRAWINGS AND IN ACCORDANCE WITH ACI 301 AND ACI 318.

- B. ACCURATELY POSITION, SUPPORT AND SECURE REINFORCEMENT AGAINST DISPLACEMENT FROM FORM WORK CONSTRUCTION OR CONCRETE PLACEMENT AND CONSOLIDATION. SUPPORT REINFORCING ON METAL CHAIRS, RUNNERS, BOLSTERS, SPACERS AND HANGERS.

- C. SPLICES OF REINFORCING BARS SHALL BE CLASS B UNLESS SHOWN OTHERWISE ON THE DRAWINGS. SPLICES SHALL BE STAGGERED. FULL DEVELOPMENT LENGTH SHALL BE PROVIDED ACROSS JOINTS.

- D. LOCATE REINFORCING TO PROVIDE CONCRETE COVER AND SPACING SHOWN ON THE DRAWINGS. MINIMUM COVER SHALL BE AS REQUIRED BY ACI 318.

- E. WELDING OF AND TO ANY REINFORCING MATERIALS INCLUDING TACK WELDING OF CROSSING BARS IS STRICTLY PROHIBITED.

3.4 CONCRETE PLACEMENT:

- A. PRIOR TO PLACING CONCRETE, THE FORMS AND REINFORCEMENT SHALL BE THOROUGHLY INSPECTED; ALL TEMPORARY BRACING, TIES AND CLEATS REMOVED; ALL OPENINGS FOR UTILITIES PROPERLY BOXED; ALL FORMS PROPERLY SECURED IN THERE CORRECT POSITION AND MADE TIGHT. ALL REINFORCEMENT AND EMBEDDED ITEMS SHALL BE SECURED IN THEIR PROPER LOCATIONS. ALL OLD AND DRY CONCRETE AND DIRT SHALL BE CLEANED OFF AND ALL STANDING WATER AND OTHER FOREIGN MATERIAL REMOVED.

- B. PLACING CONCRETE SHALL BE IN ACCORDANCE WITH ACI 301 AND ACI 304 AND SHALL BE CARRIED OUT AT SUCH A RATE THAT THE CONCRETE PREVIOUSLY PLACED IS STILL PLASTIC AND INTEGRATED WITH THE FRESHLY PLACED CONCRETE. CONCRETING ONCE STARTED, SHALL BE CARRIED ON AS A CONTINUOUS OPERATION UNTIL THE SECTION IS COMPLETED. NO COLD JOINTS SHALL BE ALLOWED.

- C. ALL CONCRETE SHALL BE THOROUGHLY CONSOLIDATED AND COMPACTED BY VIBRATION SPACING, RODDING, OR FORKING DURING THE OPERATION OF PLACING AND DEPOSITING IN ACCORDANCE WITH ACI 309. THE CONCRETE SHALL BE THOROUGHLY WORKED AROUND REINFORCEMENT, EMBEDDED ITEMS, AND INTO THE CORNER OF THE FORMS SO AS TO ELIMINATE ALL AIR AND STONE POCKETS.

3.5 FINISHING:

- A. FINISHING OF THE FLOOR SLABS SHALL BE IN ACCORDANCE WITH ACI 302.1 SECTION 7.2 WITH A MINIMUM OF THREE TROWELINGS. THE SLAB FINISH TOLERANCE AS MEASURED IN ACCORDANCE WITH ASTM E 1155 SHALL HAVE AN OVERALL TEST NUMBER FOR FLATNESS, FF= 20 AND FOR LEVEL. FL=15. THE MINIMUM LOCAL NUMBER FOR FLATNESS, FF= 15 AND FOR LEVEL FL=10.

- B. SURFACE OF FLOOR SLAB SHALL RECEIVE TWO COATS OF CLEAR SEALER/HARDNER.

- C. ABOVE GRADE WALL SURFACES SHALL HAVE A SMOOTH FORM FINISH AS DEFINED IN CHAPTER 10 OF ACI 301.

3.6 CURING:

- A. FRESHLY DEPOSITED CONCRETE SHALL BE PROTECTED FROM PREMATURE DRYING AND EXCESSIVELY HOT AND COLD TEMPERATURES AND SHALL BE MAINTAINED WITH MINIMUM MOISTURE LOSS AT A RELATIVELY CONSTANT TEMPERATURE FOR A PERIOD OF TIME NECESSARY FOR THE HYDRATION OF THE CEMENT AND PROPER HARDENING OF THE CONCRETE.

- B. CONCRETE SHALL BE KEPT CONTINUOUSLY MOIST AT LEAST OVERNIGHT, IMMEDIATELY FOLLOWING THE INITIAL CURING. BEFORE THE CONCRETE HAS DRIED. ADDITIONAL CURING SHALL BE ACCOMPLISHED BY ONE OF THE FOLLOWING MATERIALS OR METHODS:

1. PONDING OR CONTINUOUS SPRINKLING.

2. ABSORPTIVE MAT OR FABRIC KEPT CONTINUOUSLY WET.

3. NON-ABSORPTIVE FILM (POLYETHYLENE) OVER PREVIOUSLY SPRINKLED SURFACE.

4. SAND OR OTHER COVERING KEPT CONTINUOUSLY WET.

5. CONTINUOUS STEAM (NOT EXCEEDING 150 F) OR VAPOR MIST BATH.

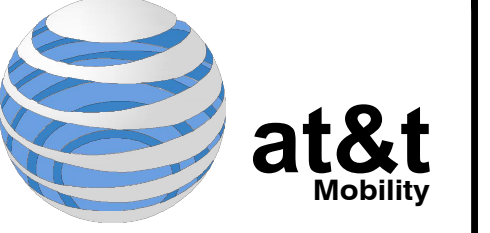
6. SPRAYED- ON CURING COMPOUND APPLIED IN TWO COATS, SPRAYED IN PERPENDICULAR DIRECTION


- C. THE FINAL CURING SHALL CONTINUE UNTIL THE CUMULATIVE NUMBER OF DAYS OR FRACTION THEREOF, NOT NECESSARILY CONSECUTIVE, DURING WHICH TEMPERATURE OF THE AIR IN CONTACT WITH CONCRETE IS ABOVE 50F HAS TOLEDED SEVEN (7) DAYS. CONCRETE SHALL NOT BE PERMITTED TO FREEZE DURING THE CURING PERIOD. RAPID DRYING AT THE END OF THE CURING PERIOD SHALL BE PREVENTED.

AT&T Site ID:
UTL03026
546 OGDEN CANYON
OGDEN, UT 84401

Tower Owner:

2055 SOUTH STEARMAN DRIVE
CHANDLER, AZ 85286

PREPARED FOR

161 Inverness Drive West 2nd floor
Englewood, Colorado 80112

A&E:

3450 N. HIGLEY RD. BLDG. 2, SUITE 102
MESA, AZ 85215

AT&T SITE NO: UTL03026
BU NO: 5800296
DRAWN BY: JM
CHECKED BY: CM

REV	DATE	DESCRIPTION
A	11/21/19	PRELIMINARY CDs
B	3/10/20	CLIENT COMMENTS

Licenser:

IT IS A VIOLATION OF LAW FOR ANY PERSON, UNLESS THEY ARE ACTING UNDER THE DIRECTION OF A LICENSED PROFESSIONAL ENGINEER, TO ALTER THIS DOCUMENT.

Issued For:
3/10/20
PRELIMINARY CDs

SHEET TITLE:
GENERAL NOTES

SHEET NUMBER:
GN-4

GENERAL STEEL WORK NOTES:

PART 1 - GENERAL

1.1 SCOPE:

- A. PROVIDE FABRICATION AND ERECTION OF STRUCTURAL STEEL AND OTHER ITEMS AS SHOWN ON THE DRAWINGS OR REQUIRED BY OTHER SECTIONS OF THESE SPECIFICATIONS.

1.2 REFERENCES:

- A. AMERICAN INSTITUTE OF STEEL CONSTRUCTION (AISC). MANUAL OF STEEL CONSTRUCTION, ALLOWABLE STRESS DESIGN (ASD).
B. AMERICAN SOCIETY FOR TESTING AND MATERIALS (ASTM). ASTM A36: STRUCTURAL STEEL. ASTM A53: PIPE, STEEL BLACK AND HOT DIPPED, ZINC-COATED WELDED AND SEAMLESS.
C. AMERICAN WELDING SOCIETY (AWS): AWS A5.1: COVERED CARBON STEEL ARC WELDING ELECTRODES.
D. RESEARCH COUNCIL ON STRUCTURAL CONNECTIONS (RCSC): "SPECIFICATIONS FOR STRUCTURAL JOINTS USING ASTM A325 BOLTS OR ASTM A490 BOLTS."
E. STEEL STRUCTURES PAINTING COUNCIL (SSPC): SSPC-SP3: POWER TOOL CLEANING. SSPC-PAINT 11: RED IRON OXIDE, ZINC CHROME, RAW LINSEED OIL OR ALKYD PAINT.

1.3 SUBMITTALS:

- A. SUBMIT THE FOLLOWING FOR APPROVAL:
1. FABRICATION AND ERECTION DRAWINGS SHOWING ALL DETAILS, CONNECTIONS, MATERIAL DESIGNATIONS, AND ALL TOP STEEL ELEVATIONS.
B. WELDERS SHALL BE QUALIFIED AS PRESCRIBED IN AWS D1.1.

PART 2 - PRODUCTS

2.1 STRUCTURAL STEEL:

- A. SHAPES, PLATES AND BARS SHALL CONFIRM TO ASTM A36.
B. STRUCTURAL TUBING SHALL CONFIRM TO ASTM A500, GRADE B. STEEL PIPE SHALL CONFIRM TO ASTM A53, TYPE E OR S, GRADE B.

2.2 ANCHOR BOLTS:

- A. ANCHOR BOLTS SHALL CONFIRM TO ASTM A307 WITH HEAVY HEXAGONAL NUTS.

2.3 BOLTS:

- A. COMMON (MACHINE) BOLTS SHALL CONFIRM TO ASTM A307 GRADE A AND NUTS TO ASTM A563. ONE COMMON BOLT ASSEMBLY SHALL CONSIST OF A BOLT, A HEAVY HEX NUT AND A HARDENED WASHER.
B. HIGH-STRENGTH BOLTS SHALL CONFORM TO ASTM A325; ONE HIGH STRENGTH BOLT ASSEMBLY SHALL CONSIST OF A HEAVY HEX STRUCTURAL BOLT, A HEAVY HEX NUT, A HARDENED WASHER CONFORMING TO ASTM F436. THE HARDENED WASHER SHALL BE INSTALLED AGAINST THE ELEMENT TURNED IN TIGHTENING. UNLESS NOTED OTHERWISE ON THE DRAWINGS, ALL CONNECTIONS SHALL BE BEARING TYPE CONNECTIONS.

2.4 WELDING ELECTRODES:

- A. WELDING ELECTRODES SHALL COMPLY WITH AWS D1.1 USING A5.1 OR A5.5 E70XX AND SHALL BE COMPATIBLE WITH THE WELDING PROCESS SELECTED.

2.5 PRIMER:

- A. PRIMER SHALL BE RED OXIDE-CHROMATE PRIMER COMPLYING WITH SSPC PAINT SPECIFICATION NO. 11.

PART 3 - EXECUTION

3.1 FABRICATION:

A. SHOP FABRICATE AND ASSEMBLY MATERIALS AS SPECIFIED HEREIN.

- 1. FABRICATE ITEMS OF STRUCTURAL STEEL IN ACCORDANCE WITH THE AISC-ASD SPECIFICATION, AND AS INDICATED ON THE APPROVED SHOP DRAWINGS.
2. ALL EXPOSED STRUCTURAL STEEL SHALL BE HOT DIP GALVANIZED PER ASTM.
3. PROPERLY MARK AND MATCH-MARK MATERIALS FOR FIELD ASSEMBLY AND FOR IDENTIFICATION AS TO LOCATION FOR WHICH INTENDED.
4. FABRICATE AND DELIVER IN A SEQUENCE WHICH WILL EXPEDITE ERECTION AND MINIMIZE FIELD HANDLING OF MATERIALS.
5. WHERE FINISHING IS REQUIRED, COMPLETE THE ASSEMBLY, INCLUDING THE WELDING OF UNITS, BEFORE START OF FINISHING OPERATIONS.
6. PROVIDE FINISH SURFACE OF MEMBERS EXPOSED IN THE FINAL STRUCTURE FREE FROM MARKINGS, BURNS, AND OTHER DEFECTS.

B. PROVIDE CONNECTIONS AS SPECIFIED HEREIN:

- 1. PROVIDE BOLTS AND WASHERS OF TYPES AND SIZE REQUIRED FOR COMPLETION OF FIELD ERECTION. USE 3/4 INCH DIAMETER A325 BOLTS UNLESS NOTED OTHERWISE.
2. INSTALL HIGH STRENGTH THREADED FASTENERS IN ACCORDANCE WITH RCSC "SPECIFICATION FOR STRUCTURAL JOINTS USING ASTM A325 OR ASTM A490 BOLTS."
3. WELDED CONSTRUCTION SHALL COMPLY WITH AWS D1.1 FOR PROCEDURES, APPEARANCE, QUALITY OF WELD, AND METHODS USED IN CORRECTING WELDED WORK.
4. THE FABRICATOR SHALL FURNISH AND INSTALL ERECTION CLIPS FOR FIT-UP OF WELDED CONNECTIONS.
5. DOUBLE ANGLE MEMBERS SHALL HAVE WELDED FILLERS SPACED IN ACCORDANCE WITH CHAPTER E4 OF THE AISC-ASD SPECIFICATION.
6. GUSSET AND STIFFENER PLATES SHALL BE 3/8 INCH THICK MINIMUM.

3.2 PRIMING:

- A. STRUCTURAL STEEL SHALL BE PRIMED AS SPECIFIED HEREIN, UNLESS SHOWN OTHERWISE ON THE DRAWINGS.
B. STRUCTURAL STEEL SURFACE PREPARATION SHALL CONFIRM TO SSPC-SP3, "POWER TOOL CLEANING."
C. SURFACE PREPARATION AND PRIMER SHALL BE IN ACCORDANCE WITH AISC CODE OF STANDARD PRACTICE AS INCLUDED IN THE ASD MANUAL OF STEEL CONSTRUCTION.
D. MATERIALS SHALL REMAIN CLOSED UNTIL REQUIRED FOR USE, MANUFACTURER'S POT-LIFE REQUIREMENTS SHALL BE STRICTLY ADHERED TO.
E. PRIMER SHALL BE APPLIED TO DRY, CLEAN, PREPARED SURFACE AND UNDER FAVORABLE CONDITIONS IN ACCORDANCE WITH MANUFACTURER'S INSTRUCTIONS. UNLESS OTHERWISE RECOMMENDED BY THE MANUFACTURER PRIMING SHALL NOT BE DONE WHEN AMBIENT TEMPERATURE IS LESS THAN 50 DEGREE F. THE RELATIVE HUMIDITY IS MORE THAN 90 PERCENT, OR THE SURFACE TEMPERATURE IS LESS THAN 5 DEGREE F ABOVE THE DEW POINT.
F. GENERALLY ALL PRIMER SHALL BE SPRAY APPLIED. BRUSH OR ROLLER APPLICATION SHALL BE RESTRICTED TO TOUCHUP AND TO AREAS NOT ACCESSIBLE BY SPRAY GUN.
G. PRIMER SHALL BE UNIFORMLY APPLIED WITHOUT RUNS, SAGS, SOLVENT BLISTERS, DRY SPRAY OR OTHER BLEMISHES. ALL BLEMISHES AND OTHER IRREGULARITIES SHALL BE REPAIRED OR REMOVED AND THE AREA RE-COATED. SPECIAL ATTENTION SHALL BE PAID TO CREVICES, WELD LINES, BOLT HEADS, CORNERS, EDGES, ETC., TO OBTAIN THE REQUIRED NOMINAL FILM THICKNESS.
H. THE DRY FILM THICKNESS OF THE PRIMER SHALL BE 2.0 MILS.
I. IF THE PRIMER IS DAMAGED BY WELDING OR PHYSICAL ABUSE, THE AREA SHALL BE TOUCHED UP AND REPAIRED. THE TOUCHUP PAINT SHALL BE COMPATIBLE WITH THE APPLIES PRIMER WITH MINIMUM DRY FILM THICKNESS OF 1.5 MILS.

3.3 INSTALLATION:

- A. INSTALLATION OF STRUCTURAL STEEL SHALL COMPLY WITH AISC "CODE OF STANDARD PRACTICE."
B. STRUCTURAL FIELD WELDING SHALL BE DONE BY THE ELECTRIC SUBMERGED OR SHIELDED METAL ARC PROCESS. WELDED CONSTRUCTION SHALL COMPLY WITH AWS D1.1.

C. PROVIDE ANCHOR BOLTS AND OTHER CONNECTORS REQUIRED FOR SECURING STRUCTURAL STEEL TO ELEVATOR SHAFT WALLS AND OTHER IN-PLACE WORK. PROVIDE TEMPLATES AND OTHER DEVICES NECESSARY FOR PRESETTING BOLTS AND ANCHORS TO ACCURATE LOCATIONS.

D. SPLICE MEMBERS ONLY WHERE INDICATED ON THE DRAWINGS.

E. ANY GAS CUTTING TORCHES HAVE TO BE APPROVED IN WRITING BY THE PROJECT STRUCTURAL ENGINEER.

F. PROVIDE TEMPORARY SHORING BRACING WITH CONNECTIONS OF SUFFICIENT STRENGTH TO BEAR IMPOSED LOADS. REMOVE TEMPORARY CONNECTIONS AND MEMBERS WHEN PERMANENT MEMBERS ARE IN PLACE AND THE FINAL CONNECTIONS HAVE BEEN MADE.

G. ALIGN AND ADJUST MEMBERS, AND OTHER SURFACES WHICH WILL BE IN THE PERMANENT CONTACT, BEFORE ASSEMBLY.

H. HIGH-STRENGTH BOLTS AS A MINIMUM, SHALL BE TIGHTENED TO A "SNUG TIGHT" CONDITION AS DEFINED IN THE LATEST AISC SPECIFICATION. ALL HIGH-STRENGTH BOLTS SPECIFIED ON THE DESIGN DRAWINGS TO BE USED IN PRETENSIONED OR SLIP-CRITICAL JOINTS SHALL BE TIGHTENED TO A BOLT TENSION NOT LESS THAN THAT GIVEN IN AISC TABLE J3.1. INSTALLATION SHALL BE BY ANY OF THE FOLLOWING METHODS: TURN-OF NUT METHOD, A DIRECT-TENSION-INDICATOR, TWIST-OFF-TYPE TENSION-CONTROL BOLT, CALIBRATED WRENCH, OR ALTERNATIVE DESIGN BOLT.

STRUCTURAL NOTES

1.0 GENERAL CONDITIONS

1.1 DESIGN AND CONSTRUCTION OF ALL WORK SHALL CONFORM TO THE IBC 2006 EDITION AND ALL OTHER APPLICABLE STATE CODES, ORDINANCES, AND REGULATIONS. IN CASE OF CONFLICT BETWEEN THE CODES, STANDARDS, AND REGULATIONS. SPECIFICATIONS, GENERAL NOTES AND/OR MANUFACTURER'S REQUIREMENTS. USE THE MOST STRINGENT PROVISION.

1.2 IT IS THE EXPRESS INTENT OF THE PARTIES INVOLVED IN THIS PROJECT THAT THE CONTRACTOR OR SUBCONTRACTOR OR INDEPENDENT CONTRACTOR OR THEIR RESPECTIVE EMPLOYEES SHALL EXCULPATE THE ARCHITECT, THE ENGINEER, THE CONSTRUCTION MANAGER, THE OWNER, AND THEIR AGENTS, FROM ANY LIABILITY WHATSOEVER AND HOLD THEM HARMLESS AGAINST LOSS, DAMAGES, LIABILITY OR ANY EXPENSE ARISING IN ANY MATTER FROM THE WRONGFUL OR NEGLIGENT ACT, OR FAILURE TO CARRY OUT THE WORK IN ACCORDANCE WITH THE CONTRACT DOCUMENTS, OR THE CONSTRUCTION MEANS, METHODS, TECHNIQUES, SEQUENCES OR PROCEDURES OR FAILURE TO CONFORM TO THE STATE SCAFFOLDING ACT IN CONNECTION WITH THE WORK.

1.3 DO NOT SCALE DRAWINGS.

1.4 VERIFY ALL EQUIPMENT MOUNTING DIMENSIONS PER MANUFACTURER DRAWINGS.

1.5 SUBMIT ONE SEPIA AND TWO PRINTS OF ALL STRUCTURAL SHOP DRAWINGS. MARKED UP SEPIA SHALL BE RETURNED.

1.6 DESIGN LOADS ARE:

Table with 4 columns: Load Type, Value, Unit, and Notes. Includes WIND SPEED (115 MPH 3 SEC EXP C), SNOW LOAD (300 PSF), SEISMIC ZONE (SBC & UBC - 4 AND IBC - E), and SHELTER WEIGHT (WITHOUT EQUIPMENT: 5,500lbs; WITH EQUIPMENT: 7,500lbs).

2.0 STEEL

2.1 MEET OR EXCEED THE FOLLOWING CODES & STANDARDS (LATEST EDITION) EXCEPT AS NOTED:

- A. STRUCTURAL STEEL...AISC SPECIFICATION & CODE OF STANDARD PRACTICE
-SHAPES AND PLATES...ASTM A572
-PLATES BENT OR COLD FORMED...ASTM A 283, GRADE C
-PIPES...ASTM A 53, GRADE B
-STRUCTURAL SHEETS, HOT ROLLED...ASTM A 510
-COLD FORMED STEEL TUBING...ASTM A 500 GRADE B
-BOLTS, NUTS & WASHERS FOR ANCHOR BOLTS AND SECONDARY CONNECTIONS...ASTM A307
-ALL STEEL SHALL BE HOT-DIPPED GALVANIZED.

B. WELDS...AWS E 70XX
EXCEPTION IS TAKEN TO AISC CODE OF STANDARD PRACTICE PARAGRAPH 4.2.1 REGARDING OWNERS AND FABRICATOR'S RESPONSIBILITY FOR CONNECTION DESIGN AND DETAILING IS THE CONTRACTORS RESPONSIBILITY. ENGINEER'S REVIEW OF SHOP DRAWINGS IS FOR GENERAL CONSIDERATIONS ONLY AND DOES NOT CONSTITUTE AN ACCEPTANCE OF THESE RESPONSIBILITIES BY THE OWNER AND/OR ENGINEER.

3.0 FIBER REINFORCED PLASTIC

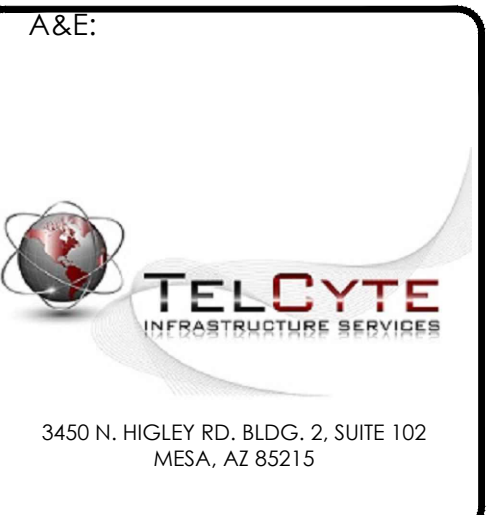
3.1 ALL FRP MATERIAL SHALL BE EXTREN SERIES 500 OR EQUIV.

3.2 ALL ADHESIVE SHALL BE PLEXUS METHACRYLATE ADHESIVE OR EQUIV.

3.3 ALL FRP CONNECTIONS SHALL BE FULL BONDED EACH SIDE WITH 3 /8" PLATE AND MINIMUM (2) 3/8" PAN HEAD FRP SCREWS PER MEMBER.

3.4 ALL PANELS SHALL BE FULL BONDED W/ 3/8" PAN HEAD FRP SCREWS AT 12" O.C.

AT&T Site ID:
UTL03026
546 OGDEN CANYON
OGDEN, UT 84401



AT&T SITE NO: UTL03026

BU NO: 5800296

DRAWN BY: JM

CHECKED BY: CM

Table with 3 columns: REV, DATE, DESCRIPTION. Contains two rows: A (11/21/19) PRELIMINARY CDs, B (3/10/20) CLIENT COMMENTS.

Licensors:
IT IS A VIOLATION OF LAW FOR ANY PERSON, UNLESS THEY ARE ACTING UNDER THE DIRECTION OF A LICENSED PROFESSIONAL ENGINEER, TO ALTER THIS DOCUMENT.

Issued For:
3/10/20
PRELIMINARY CDs

SHEET TITLE:
GENERAL NOTES

SHEET NUMBER:
GN-5

GENERAL ELECTRICAL NOTES:

PART 1 - GENERAL

1.1 GENERAL CONDITIONS:

A. CONTRACTOR SHALL INSPECT THE EXISTING SITE CONDITIONS PRIOR TO SUBMITTING BID. ANY QUESTIONS ARISING DURING THE BID PERIOD IN REGARDS TO THE CONTRACTORS FUNCTIONS, THE SCOPE OF WORK, OR ANY OTHER ISSUE RELATED TO THIS PROJECT SHALL BE BROUGHT UP DURING THE BID PERIOD WITH THE PROJECT MANAGER FOR CLARIFICATION. NOT AFTER THE CONTRACT HAS BEEN AWARDED.

B. THE CONTRACTOR SHALL OBTAIN PERMITS, LICENSES, MAKE ALL DEPOSITS, AND PAY ALL FEES REQUIRED FOR THE CONSTRUCTION PERFORMANCE FOR THE WORK UNDER THIS SECTION.

C. DRAWINGS SHOW THE GENERAL ARRANGEMENT OF ALL SYSTEMS AND COMPONENTS COVERED UNDER THIS SECTION. THE CONTRACTOR SHALL VERIFY ALL DIMENSIONS. DRAWING SHALL NOT BE SCALED TO DETERMINE DIMENSIONS.

1.2 LAWS, REGULATIONS, ORDINANCES, STATUTES AND CODES.

A. ALL WORK SHALL BE INSTALLED IN ACCORDANCE WITH THE LATEST EDITION OF THE NATIONAL ELECTRICAL CODE, AND ALL APPLICABLE LOCAL LAWS, REGULATIONS, ORDINANCES, STATUTES AND CODES. CONDUIT BENDS SHALL BE THE RADIUS BEND FOR THE TRADE SIZE OF CONDUIT IN COMPLIANCE WITH THE LATEST EDITIONS OF NEC.

1.3 REFERENCES:

A. THE PUBLICATIONS LISTED BELOW ARE PART OF THIS SPECIFICATION. EACH PUBLICATION SHALL BE THE LATEST REVISION AND ADDENDUM IN EFFECT ON THE DATE. THIS SPECIFICATION IS ISSUED FOR CONSTRUCTION UNLESS OTHERWISE NOTED. EXCEPT AS MODIFIED BY THE REQUIREMENT SPECIFIED HEREIN OR THE DETAILS OF THE DRAWINGS, WORK INCLUDED IN THIS SPECIFICATION SHALL CONFORM TO THE APPLICABLE PROVISION OF THESE PUBLICATIONS.

- 1. ANSII/IEEE (AMERICAN NATIONAL STANDARDS INSTITUTE)
2. ASTM (AMERICAN SOCIETY FOR TESTING AND MATERIALS)
3. ICE (INSULATED CABLE ENGINEERS ASSOCIATION)
4. NEMA (NATIONAL ELECTRICAL MANUFACTURER'S ASSOCIATION)
5. NFPA (NATIONAL FIRE PROTECTION ASSOCIATION)
6. OSHA (OCCUPATIONAL SAFETY AND HEALTH ADMINISTRATION)
7. UL (UNDERWRITERS LABORATORIES, INC.)
8. AT&T GROUNDING AND BONDING STANDARDS TP-76416

1.4 SCOPE OF WORK:

A. WORK UNDER THIS SECTION SHALL CONSIST OF FURNISHING ALL LABOR, MATERIAL, AND ASSOCIATED SERVICES REQUIRED TO COMPLETE REQUIRED CONSTRUCTION AND BE OPERATIONAL.

B. ALL ELECTRICAL EQUIPMENT UNDER THIS CONTRACT SHALL BE PROPERLY TESTED, ADJUSTED, AND ALIGNED BY THE CONTRACTOR.

C. THE CONTRACTOR SHALL BE RESPONSIBLE FOR ALL EXCAVATING, DRAINING, TRENCHES, BACKFILLING, AND REMOVAL OF EXCESS DIRT.

D. THE CONTRACTOR SHALL FURNISH TO THE OWNER WITH CERTIFICATES OF A FINAL INSPECTION AND APPROVAL FROM THE INSPECTION AUTHORITIES HAVING JURISDICTION.

E. THE CONTRACTOR SHALL PREPARE A COMPLETE SET OF AS-BUILT DRAWINGS, DOCUMENT ALL WIRING EQUIPMENT CONDITIONS, AND CHANGES WHILE COMPLETING THIS CONTRACT. THE AS-BUILT DRAWINGS SHALL BE SUBMITTED AT COMPLETION OF THE PROJECT.

PART 2 - PRODUCTS

2.1 GENERAL:

A. ALL MATERIALS AND EQUIPMENT SHALL BE UL LISTED, NEW, AND FREE FROM DEFECTS.

B. ALL ITEMS OF MATERIALS AND EQUIPMENT SHALL BE ACCEPTABLE TO THE AUTHORITY HAVING JURISDICTION AS SUITABLE FOR THE USE INTENDED.

C. ALL EQUIPMENT SHALL BEAR THE UNDERWRITERS LABORATORIES LABEL OF APPROVAL, AND SHALL CONFORM TO REQUIREMENT OF THE NATIONAL ELECTRICAL CODE.

D. ALL OVERCURRENT DEVICES SHALL HAVE AN INTERRUPTING CURRENT RATING THAT SHALL BE GREATER THAN THE SHORT CIRCUIT CURRENT TO WHICH THEY ARE SUBJECTED, 10,000 AIC MINIMUM. VERIFY AVAILABLE SHORT CIRCUIT CURRENT DOES NOT EXCEED THE RATING OF ELECTRICAL EQUIPMENT IN ACCORDANCE WITH ARTICLE 110.24 NEC OR THE MOST CURRENT ADOPTED CODE PER THE GOVERNING JURISDICTION.

2.2 MATERIALS AND EQUIPMENT:

A. CONDUIT:

- 1. RIGID METAL CONDUIT (RMC) SHALL BE HOT-DIPPED GALVANIZED INSIDE AND OUTSIDE INCLUDING ENDS AND THREADS AND ENAMELED OR LACQUERED INSIDE IN ADDITION TO GALVANIZING.
2. LIQUIDTIGHT FLEXIBLE METAL CONDUIT SHALL BE UL LISTED.
3. CONDUIT CLAMPS, STRAPS AND SUPPORTS SHALL BE STEEL OR MALLEABLE IRON. ALL FITTINGS SHALL BE COMPRESSION AND CONCRETE TIGHT TYPE. GROUNDING BUSHINGS WITH INSULATED THROATS SHALL BE INSTALLED ON ALL CONDUIT TERMINATIONS.
4. NONMETALLIC CONDUIT AND FITTINGS SHALL BE SCHEDULE 40 PVC. INSTALL USING SOLVENT-CEMENT-TYPE JOINTS AS RECOMMENDED BY THE MANUFACTURER.

B. CONDUCTORS AND CABLE:

- 1. CONDUCTORS AND CABLE SHALL BE FLAME-RETARDANT, MOISTURE AND HEAT RESISTANT THERMOPLASTIC, SINGLE CONDUCTOR, COPPER, TYPE THHN/THWN-2, 600 VOLT, SIZE AS INDICATED, #12 AWG SHALL BE THE MINIMUM SIZE CONDUCTOR USED.
2. #10 AWG AND SMALLER CONDUCTOR SHALL BE SOLID OR STRANDED AND #8 AWG AND LARGER CONDUCTORS SHALL BE STRANDED.
3. SOLDERLESS, COMPRESSION-TYPE CONNECTORS SHALL BE USED FOR TERMINATION OF ALL STRANDED CONDUCTORS.
4. STRAIN-RELIEF SUPPORTS GRIPS SHALL BE HUBBELL KELLEMS OR APPROVED EQUAL. CABLES SHALL BE SUPPORTED IN ACCORDANCE WITH THE NEC AND CABLE MANUFACTURER'S RECOMMENDATIONS. ALL CONDUCTORS SHALL BE TAGGED AT BOTH ENDS OF THE CONDUCTOR, AT ALL PULL.
5. BOXES, J-BOXES, EQUIPMENT AND CABINETS AND SHALL BE IDENTIFIED WITH APPROVED PLASTIC TAGS (ACTION CRAFT, BRADY, OR APPROVED EQUAL).

C. DISCONNECT SWITCHES:

- 1. DISCONNECT SWITCHES SHALL BE HEAVY DUTY, DEAD-FRONT, QUICK-MAKE, QUICK-BREAK, EXTERNALLY OPERABLE, HANDLE LOCKABLE AND INTERLOCK WITH COVER IN CLOSED POSITION, RATING AS INDICATED, UL LABELED FURNISHED IN NEMA 3R ENCLOSURE, SQUARE-D OR ENGINEERED APPROVED EQUAL.

D. CHEMICAL ELECTROLYTIC GROUNDING SYSTEM:

- 1. INSTALL CHEMICAL GROUNDING AS REQUIRED. THE SYSTEM SHALL BE ELECTROLYTIC MAINTENANCE FREE ELECTRODE CONSISTING OF RODS WITH A MINIMUM #2 AWG CU EXOTHERMALLY WELDED PIGTAIL, PROTECTIVE BOXES, AND BACKFILL MATERIAL. MANUFACTURER SHALL BE LYNCOLE XIT GROUNDING ROD TYPES K2-(-)CS OR K2L-(-)CS (*) LENGTH AS REQUIRED.
2. GROUND ACCESS BOX SHALL BE A POLYPLASTIC BOX FOR NON-TRAFFIC APPLICATIONS, INCLUDING BOLT DOWN FLUSH COVER WITH "BREATHER" HOLES, XIT MODEL #XB-22. ALL DISCONNECT SWITCHES AND CONTROLLING DEVICES SHALL BE PROVIDED WITH ENGRAVED LAMICOID NAMEPLATES INDICATING EQUIPMENT CONTROLLED, BRANCH CIRCUITS ID NUMBERING, AND THE ELECTRICAL POWER SOURCE.
3. BACKFILL MATERIAL SHALL BE LYNCONITE AND LYNCOLE GROUNDING GRAVEL.

E. SYSTEM GROUNDING:

- 1. ALL GROUNDING COMPONENTS SHALL BE TINNED AND GROUNDING CONDUCTOR SHALL BE #2 AWG BARE, SOLID, TINNED, COPPER. ABOVE GRADE GROUNDING CONDUCTORS SHALL BE INSULATED WHERE NOTED.
2. GROUNDING BUSES SHALL BE BARE, TINNED, ANNEALED COPPER BARS OF RECTANGULAR CROSS SECTION. STANDARD BUS BARS MGB, SHALL BE FURNISHED AND INSTALLED BY THE CONTRACTOR. THEY SHALL NOT BE FABRICATED OR MODIFIED IN THE FIELD. ALL GROUNDING BUSES SHALL BE IDENTIFIED WITH MINIMUM 3/4" LETTERS BY WAY OF STENCILING OR DESIGNATION PLATE.
3. CONNECTORS SHALL BE HIGH-CONDUCTIVITY, HEAVY DUTY, LISTED AND LABELED AS GROUNDING CONNECTORS FOR THE MATERIALS USED. USE TWO-HOLE COMPRESSION LUGS WITH CLEAR HEAT SHRINK FOR MECHANICAL CONNECTIONS. USE TWO-HOLE COMPRESSION LUGS WITH INSPECTION WINDOW AND CLEAR HEAT SHRINK.
4. EXOTHERMIC WELDED CONNECTIONS SHALL BE PROVIDED IN KIT FORM AND SELECTED FOR THE SPECIFIC TYPES, SIZES, AND COMBINATIONS OF CONDUCTORS AND OTHER ITEMS TO BE CONNECTED.
5. GROUND RODS SHALL BE ERICO #615800, COPPER-CLAD STEEL WITH HIGH-STRENGTH STEEL CORE AND ELECTROLYTIC-GRADE COPPER OUTER SHEATH, MOLTEN WELDED TO CORE, 5/8"x10'-0". ALL GROUNDING RODS SHALL BE INSTALLED WITH INSPECTION SLEEVES.
6. INSTALL AN EQUIPMENT GROUNDING CONDUCTOR IN ALL CONDUITS IN COMPLIANCE WITH THE AT&T SPECIFICATIONS AND NEC. THE EQUIPMENT GROUNDING CONDUCTORS SHALL BE BONDED AT ALL JUNCTION BOXES, PULLBOXES, DISCONNECT SWITCHES, STARTERS, AND EQUIPMENT CABINETS.

F. OTHER MATERIALS:

- 1. THE CONTRACTOR SHALL PROVIDE OTHER MATERIALS, THOUGH NOT SPECIFICALLY DESCRIBED, WHICH ARE REQUIRED FOR A COMPLETELY OPERATIONAL SYSTEM AND PROPER INSTALLATION OF THE WORK.
2. PROVIDE PULL BOXES AND JUNCTION BOXES WHERE SHOWN OR REQUIRED BY NEC.

G. PANELS AND LOAD CENTERS:

- 1. ALL PANEL DIRECTORIES SHALL BE TYPEWRITTEN.

PART 3 - EXECUTION

3.1 GENERAL:

- A. ALL MATERIAL AND EQUIPMENT SHALL BE INSTALLED IN STRICT ACCORDANCE WITH THE MANUFACTURER'S RECOMMENDATIONS.
B. B. EQUIPMENT SHALL BE TIGHTLY COVERED AND PROTECTED AGAINST DIRT OR WATER, AND AGAINST CHEMICAL OR MECHANICAL INJURY DURING INSTALLATION AND CONSTRUCTION PERIODS.

3.2 LABOR AND WORKMANSHIP:

- A. ALL LABOR FOR THE INSTALLATION OF MATERIALS AND EQUIPMENT FURNISHED FOR THE ELECTRICAL SYSTEM SHALL BE INSTALLED BY EXPERIENCED WIREMEN, IN A NEAT AND WORKMAN-LIKE MANNER.
B. ALL ELECTRICAL EQUIPMENT SHALL BE ADJUSTED, ALIGNED AND TESTED BY THE CONTRACTOR AS REQUIRED TO PRODUCE THE INTENDED PERFORMANCE.
C. UPON COMPLETION OF WORK, THE CONTRACTOR SHALL THOROUGHLY CLEAN ALL EXPOSED EQUIPMENT, REMOVE ALL LABELS AND ANY DEBRIS, CRATING OR CARTONS AND LEAVE THE INSTALLATION FINISHED AND READY FOR OPERATION.

3.3 COORDINATION:

A. THE CONTRACTOR SHALL COORDINATE THE INSTALLATION OF ELECTRICAL ITEMS WITH THE OWNER-FURNISHED EQUIPMENT DELIVERY SCHEDULE TO PREVENT UNNECESSARY DELAYS IN THE TOTAL WORK.

3.4 INSTALLATION:

A. CONDUIT:

- 1. ALL ELECTRICAL WIRING SHALL BE INSTALLED IN CONDUIT AS SPECIFIED. NO CONDUIT OR TUBING OF LESS THAN 3/4 INCH TRADE SIZE.
2. PROVIDE RIGID PVC SCHEDULE 80 CONDUITS FOR ALL RISERS, RMC OTHERWISE NOTED. EMT MAY BE INSTALLED FOR EXTERIOR CONDUITS WHERE NOT SUBJECT TO PHYSICAL DAMAGE.
3. INSTALL SCH. 40 PVC CONDUIT WITH A MINIMUM COVER OF 24" UNDER ROADWAYS, PARKING LOTS, STREETS, AND ALLEYS. CONDUIT SHALL HAVE A MINIMUM COVER OF 18" IN ALL OTHER NON-TRAFFIC APPLICATIONS (REFER TO 2011 NEC, TABLE 300.5).
4. USE GALVANIZED FLEXIBLE STEEL CONDUIT WHERE DIRECT CONNECTION TO EQUIPMENT WITH MOVEMENT, VIBRATION, OR FOR EASE OF MAINTENANCE. USE LIQUID TIGHT, FLEXIBLE METAL CONDUIT FOR OUTDOOR APPLICATIONS. INSTALL GALVANIZED FLEXIBLE STEEL CONDUIT AT ALL POINTS OF CONNECTION TO EQUIPMENT MOUNTED ON SUPPORT TO ALLOW FOR EXPANSION AND CONTRACTION.
5. A RUN OF CONDUIT BETWEEN BOXES OR EQUIPMENT SHALL NOT CONTAIN MORE THAN THE EQUIVALENT OF THREE QUARTER-BENDS. CONDUIT BEND SHALL BE MADE WITH THE UL LISTED BENDER OR FACTORY 90 DEGREE ELBOWS MAY BE USED.
6. FIELD FABRICATED CONDUITS SHALL BE CUT SQUARE WITH A CONDUIT CUTTING TOOL AND REAMED TO PROVIDE A SMOOTH INSIDE SURFACE.
7. PROVIDE INSULATED GROUNDING BUSHING FOR ALL CONDUITS.
8. CONTRACTOR IS RESPONSIBLE FOR PROTECTING ALL CONDUITS DURING CONSTRUCTION. TEMPORARY OPENINGS IN THE CONDUIT SYSTEM SHALL BE PLUGGED OR CAPPED TO PREVENT ENTRANCE OF MOISTURE OR FOREIGN MATTER. CONTRACTOR SHALL REPLACE ANY CONDUITS CONTAINING FOREIGN MATERIALS THAT CANNOT BE REMOVED.
9. ALL CONDUITS SHALL BE SWABBED CLEAN BY PULLING AN APPROPRIATE SIZE MANDREL THROUGH THE CONDUIT BEFORE INSTALLATION OF CONDUCTORS OR CABLES. CONDUIT SHALL BE FREE OF DIRT AND DEBRIS.
10. INSTALL PULL STRINGS IN ALL CLEAN EMPTY CONDUITS. IDENTIFY PULL STRINGS AT EACH END.
11. INSTALL 2" HIGHLY VISIBLE AND DETECTABLE TAPE 12" ABOVE ALL UNDERGROUND CONDUITS AND CONDUCTORS.
12. CONDUITS SHALL BE INSTALLED IN SUCH A MANNER AS TO INSURE AGAINST COLLECTION OF TRAPPED CONDENSATION.
13. PROVIDE CORE DRILLING AS NECESSARY FOR PENETRATIONS TO ALLOW FOR RACEWAYS AND CABLES TO BE ROUTED THROUGH THE BUILDING. DO NOT PENETRATE STRUCTURAL MEMBERS. SLEEVES AND/OR PENETRATIONS IN FIRE RATED CONSTRUCTION SHALL BE EFFECTIVELY SEALED WITH FIRE RATED MATERIAL WHICH SHALL MAINTAIN THE FIRE RATING OF THE WALL OR STRUCTURE. FIRE STOPS AT FLOOR PENETRATIONS SHALL PREVENT PASSAGE OF WATER, SMOKE, FIRE, AND FUMES. ALL MATERIAL SHALL BE UL APPROVED FOR THIS PURPOSE.

B. CONDUCTORS AND CABLE:

1. ALL POWER WIRING SHALL BE COLOR CODED AS FOLLOWS:

Table with 2 columns: DESCRIPTION, 208/240/120 VOLT SYSTEMS. Rows include PHASE A (BLACK), PHASE B (RED), PHASE C (BLUE), NEUTRAL (WHITE), GROUNDING (GREEN).

2. SPLICES SHALL BE MADE ONLY AT OUTLETS, JUNCTION BOXES, OR ACCESSIBLE RACEWAY CONDUITS APPROVED FOR THIS PURPOSE.

3. PULLING LUBRICANTS SHALL BE UL APPROVED. CONTRACTOR SHALL USE NYLON OR HEMP ROPE FOR PULLING CONDUCTOR OR CABLES INTO THE CONDUIT.

4. CABLES SHALL BE NEATLY TRAINED, WITHOUT INTERLACING, AND BE OF SUFFICIENT LENGTH IN ALL BOXES & EQUIPMENT TO PERMIT MAKING A NEAT ARRANGEMENT. CABLES SHALL BE SECURED IN A MANNER TO AVOID TENSION ON CONDUCTORS OR TERMINALS. CONDUCTORS SHALL BE PROTECTED FROM MECHANICAL INJURY AND MOISTURE. SHARP BENDS OVER CONDUIT BUSHINGS IS PROHIBITED. DAMAGED CABLES SHALL BE REMOVED AND REPLACED AT THE CONTRACTOR'S EXPENSE.

C. DISCONNECT SWITCHES:

1. INSTALL DISCONNECT SWITCHES LEVEL AND PLUMB. CONNECT TO WIRING SYSTEM AND GROUNDING SYSTEM AS INDICATED.

D. GROUNDING:

1. ALL METALLIC PARTS OF ELECTRICAL EQUIPMENT WHICH DO NOT CARRY CURRENT SHALL BE GROUNDED IN ACCORDANCE WITH THE REQUIREMENTS OF THE BUILDING MANUFACTURER, AT&T GROUNDING AND BONDING STANDARDS TP-76416, ND-00135, AND THE NATIONAL ELECTRICAL CODE.

2. PROVIDE ELECTRICAL GROUNDING AND BONDING SYSTEM INDICATED WITH ASSEMBLY OF MATERIALS, INCLUDING GROUNDING ELECTRODES, BONDING JUMPERS AND ADDITIONAL ACCESSORIES AS REQUIRED FOR A COMPLETE INSTALLATION.

3. ALL GROUNDING CONDUCTORS SHALL PROVIDE A STRAIGHT DOWNWARD PATH TO GROUND WITH GRADUAL BEND AS REQUIRED. GROUNDING CONDUCTORS SHALL NOT BE LOOPED OR SHARPLY BENT. ROUTE GROUNDING CONNECTIONS AND CONDUCTORS TO GROUND IN THE SHORTEST AND STRAIGHTEST PATHS POSSIBLE TO MINIMIZE TRANSIENT VOLTAGE RISES. BUILDINGS AND/OR NEW TOWERS GREATER THAN 75 FEET IN HEIGHT AND WHERE THE MAIN

4. GROUNDING CONDUCTORS ARE REQUIRED TO BE ROUTED TO GRADE. THE CONTRACTOR SHALL ROUTE TWO GROUNDING CONDUCTORS FROM THE ROOFTOP, TOWERS, AND WATER TOWERS GROUND RING, TO THE EXISTING GROUNDING SYSTEM. THE GROUNDING CONDUCTORS SHALL NOT BE SMALLER THAN #2 AWG COPPER. ROOFTOP GROUND RING SHALL BE BONDED TO THE EXISTING GROUNDING SYSTEM, THE BUILDING STEEL COLUMNS, LIGHTNING PROTECTION SYSTEM, AND BUILDING MAIN WATER LINE (FERROUS OR NONFERROUS METAL PIPING ONLY). SEE STANDARD 6.3.2.2.

5. TIGHTEN GROUNDING AND BONDING CONNECTORS, INCLUDING SCREWS AND BOLTS, IN ACCORDANCE WITH MANUFACTURER'S PUBLISHED TORQUE TIGHTENING VALUES FOR CONNECTORS AND BOLTS. WHERE MANUFACTURER'S TORQUING REQUIREMENTS ARE NOT AVAILABLE, TIGHTEN CONNECTIONS TO COMPLY WITH TIGHTENING TORQUE VALUES SPECIFIED IN UL TO ASSURE PERMANENT AND EFFECTIVE GROUNDING. CONTRACTOR SHALL VERIFY THE LOCATIONS OF GROUNDING TIE-IN-POINTS TO THE EXISTING

6. ALL UNDERGROUND GROUNDING CONNECTIONS SHALL BE MADE BY THE GROUNDING SYSTEM. EXOTHERMIC WELD PROCESS AND INSTALLED IN ACCORDANCE WITH THE MANUFACTURER'S INSTRUCTIONS.

7. ALL GROUNDING CONNECTIONS SHALL BE INSPECTED FOR TIGHTNESS. EXOTHERMIC WELDED CONNECTIONS SHALL BE APPROVED BY THE INSPECTOR FINISH JURISDICTION BEFORE BEING PERMANENTLY CONCEALED.

8. APPLY CORROSION-RESISTANCE FINISH TO FIELD CONNECTIONS AND PLACES WHERE FACTORY APPLIED PROTECTIVE COATINGS HAVE BEEN DESTROYED.

9. A SEPARATE, CONTINUOUS, INSULATED EQUIPMENT GROUNDING CONDUCTOR SHALL BE INSTALLED IN ALL FEEDER AND BRANCH CIRCUITS.

10. BOND ALL INSULATED GROUNDING BUSHINGS WITH A BARE 6 AWG GROUNDING CONDUCTOR TO A GROUND BUS.

11. DIRECT BURIED GROUNDING CONDUCTORS SHALL BE INSTALLED AT A NOMINAL DEPTH OF 36" MINIMUM BELOW GRADE, OR 6" BELOW THE FROST LINE, USE THE GREATER OF THE TWO DISTANCES.

12. ALL GROUNDING CONDUCTORS EMBEDDED IN OR PENETRATING CONCRETE SHALL BE INSTALLED IN SCHEDULE 40 PVC CONDUIT.

13. THE INSTALLATION OF CHEMICAL ELECTROLYTIC GROUNDING SYSTEM IN STRICT ACCORDANCE WITH MANUFACTURER'S INSTRUCTIONS. REMOVE SEALING TAPE FROM LEACHING AND BREATHER HOLES. INSTALL PROTECTIVE BOX FLUSH WITH GRADE.

14. DRIVE GROUND RODS UNTIL TOPS ARE A MINIMUM DISTANCE OF 36" DEPTH OR 6" BELOW FROST LINE, USING THE GREATER OF THE TWO DISTANCES.

15. IF COAX ON THE ICE BRIDGE IS MORE THAN 6 FT. FROM THE GROUND BAR AT THE BASE OF THE TOWER, A SECOND GROUND BAR WILL BE NEEDED AT THE END OF THE ICE BRIDGE, TO GROUND THE COAX CABLE GROUNDING KITS AND IN-LINE ARRESTORS

16. CONTRACTOR SHALL REPAIR, AND/OR REPLACE, EXISTING GROUNDING SYSTEM COMPONENTS DAMAGED DURING CONSTRUCTION AT THE CONTRACTORS EXPENSE.

3.5 ACCEPTANCE TESTING

A. CERTIFIED PERSONNEL USING CERTIFIED EQUIPMENT SHALL PERFORM REQUIRED TESTS AND SUBMIT WRITTEN TEST REPORTS UPON COMPLETION.

B. WHEN MATERIAL AND/OR WORKMANSHIP IS FOUND NOT TO COMPLY WITH THE SPECIFIED REQUIREMENTS, THE NON-COMPLYING ITEMS SHALL BE REMOVED FROM THE PROJECT SITE AND REPLACED WITH ITEMS COMPLYING WITH THE SPECIFIED REQUIREMENTS PROMPTLY AFTER RECEIPT OF NOTICE FOR NON-COMPLIANCE.

C. TEST PROCEDURES:

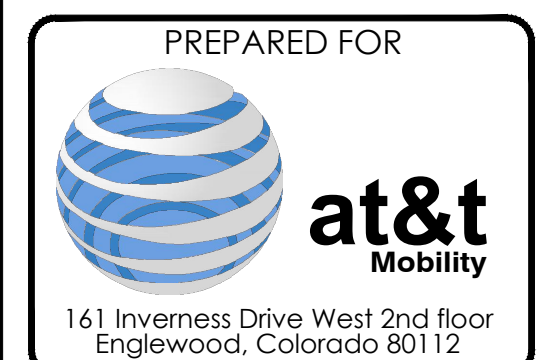
1. ALL FEEDERS SHALL HAVE INSULATION TESTED AFTER INSTALLATION, BEFORE CONNECTION TO DEVICES. THE CONDUCTORS SHALL TEST FREE FROM SHORT CIRCUITS AND GROUNDS. TESTING SHALL BE FOR ONE MINUTE USING 1000V DC. PROVIDE WRITTEN DOCUMENTATION FOR ALL TEST RESULTS.

2. PRIOR TO ENERGIZING CIRCUITRY, TEST WIRING DEVICES FOR ELECTRICAL CONTINUITY AND PROPER POLARITY CONNECTIONS.

3. MEASURE AND RECORD VOLTAGES BETWEEN PHASES AND BETWEEN PHASE CONDUCTORS AND NEUTRALS. SUBMIT A REPORT OF MAXIMUM AND MINIMUM VOLTAGES

4. PERFORM GROUNDING TEST TO MEASURE GROUNDING RESISTANCE OF GROUNDING SYSTEM USING THE IEEE STANDARD 3-POINT "FALL-OF-POTENTIAL" METHOD. PROVIDE PLOTTED TEST VALUES AND LOCATION SKETCH. NOTIFY THE ENGINEER IMMEDIATELY IF MEASURED VALUE IS OVER 5 OHMS.

AT&T Site ID: UTL03026
546 OGDEN CANYON
OGDEN, UT 84401



AT&T SITE NO: UTL03026
BU NO: 5800296
DRAWN BY: JM
CHECKED BY: CM

Table with 3 columns: REV, DATE, DESCRIPTION. Row 1: A, 11/21/19, PRELIMINARY CDs. Row 2: B, 3/10/20, CLIENT COMMENTS.

Licenser:
IT IS A VIOLATION OF LAW FOR ANY PERSON, UNLESS THEY ARE ACTING UNDER THE DIRECTION OF A LICENSED PROFESSIONAL ENGINEER, TO ALTER THIS DOCUMENT.

Issued For:
3/10/20
PRELIMINARY CDs

SHEET TITLE:
GENERAL NOTES

SHEET NUMBER:
GN-6

1'-8"

Property of AT&T
Authorized Personnel Only

In case of emergency, or prior to performing maintenance on this site, call _____ and reference cell site number _____

FA # _____

ATT AL AP0 1520

1'-3"

- NOTES:
1. PLACE SIGN ON ROOM, SHELTER OR CABINET DOOR.

6 DOOR SIGN
N.T.S.

AT&T ABOVEGROUND FUEL STORAGE SYSTEMS
SIGNS AND LABELING REQUIREMENTS

PROPANE
 PRODUCT IDENTIFICATION

DIESEL
 PRODUCT IDENTIFICATION

HAZARD RATINGS:
 9 O'CLOCK - HEALTH
 12 O'CLOCK - FLAMMABILITY
 3 O'CLOCK - INSTABILITY
 6 O'CLOCK - SPECIAL

COMBUSTIBLE

FLAMMABLE

NO SMOKING

SIGNS MUST BE OF DURABLE MATERIAL WITH RED LETTERING ON WHITE BACKGROUND. LETTERS SHALL NOT BE LESS THAN 3 INCHES (762 mm) IN HEIGHT. SIGNS SHALL NOT BE OBSTRUCTED OR REMOVED AND SHALL BE IN ENGLISH AS A PRIMARY LANGUAGE. COMBUSTIBLE SIGN MAY ALSO BE WHITE LETTER ON RED BACKGROUND

- NOTES:
1. PLACE AT DOOR OR TANK.
 2. SEE SIGN PLACEMENT TABLE IN A-12 FOR ADDITIONAL INFORMATION

5 FUEL STORAGE SIGN
N.T.S.

NFPA 704 HAZARD IDENTIFICATION
SYSTEM 15" DIAMOND

INFORMATION

Federal Communications
Commission
Tower Registration Number
1 2 3 4 5 6 7

Posted in accordance with Federal Communications
Commission rules on antenna tower registration
o 47CFR 17.4 (g).

- NOTES:
1. 12" x 8" ALUMINUM.
 2. REQUIREMENT IS SPECIFIED IN SECTION 4 OF CNTP.
 3. POSTED AT BASE OF TOWER AND AT EACH ENTRANCE POINT.
 4. SEE SIGN PLACEMENT TABLE IN A-12 FOR ADDITIONAL INFORMATION

4 FCC TOWER REG. (ASRN)
N.T.S.

1'-2"

DANGER

NO
TRESPASSING

10"

- NOTES:
1. PLACE SIGN ON GATE OR DOOR AND EACH SIDE OF FENCED COMPOUND.
 2. PLACE SIGN ON AT&T COMPOUND ONLY.
 4. SEE SIGN PLACEMENT TABLE IN A-12 FOR ADDITIONAL INFORMATION

3 NO TRESPASSING SIGN
N.T.S.

AT&T Site ID:
UTL03026
546 OGDEN CANYON
OGDEN, UT 84401

Tower Owner:

2055 SOUTH STEARMAN DRIVE
CHANDLER, AZ 85286

PREPARED FOR

161 Inverness Drive West 2nd floor
Englewood, Colorado 80112

A&E:

3450 N. HIGLEY RD. BLDG. 2, SUITE 102
MESA, AZ 85215

AT&T SITE NO: UTL03026
BU NO: 5800296
DRAWN BY: JM
CHECKED BY: CM

REV	DATE	DESCRIPTION
A	11/21/19	PRELIMINARY CDs
B	3/10/20	CLIENT COMMENTS

Licensor:

IT IS A VIOLATION OF LAW FOR ANY PERSON, UNLESS THEY ARE ACTING UNDER THE DIRECTION OF A LICENSED PROFESSIONAL ENGINEER, TO ALTER THIS DOCUMENT.

Issued For:
3/10/20
PRELIMINARY CDs

SHEET TITLE:
SITE SIGNAGE

SHEET NUMBER:
GN-7

2'-0"

Property of AT&T
Authorized Personnel Only

No Trespassing
Violators will be Prosecuted

In case of emergency, or prior to performing maintenance on this site, call _____ and reference cell site number _____

2'-0"

- NOTES:
1. ALUMINUM SIGN.
 2. PLACE AT MAIN ENTRANCE GATES TO COMPOUND.
 3. SEE SIGN PLACEMENT TABLE IN A-12 FOR ADDITIONAL INFORMATION.

2 GATE SIGN
N.T.S.

INFORMATION

AT&T Mobility operates telecommunications antennas at this location. Remain at least 3 feet away from any antenna and obey all posted signs.

Contact the owner(s) of the antenna(s) before working closer than 3 feet from the antenna(s)

Contact AT&T Mobility at _____ prior to performing any maintenance or repairs near AT&T antennas

This is site# _____

Contact the management office if this door/hatch/gate is found unlocked.

INFORMACION

En esta propiedad se ubican antenas de telecomunicaciones operadas por AT&T Mobility. Favor mantener una distancia de no menos de 3 pies y obedecer todos los avisos.

Comuníquese con el propietario o los propietarios de las antenas antes de trabajar o caminar a una distancia de menos de 3 pies de la antena

Comuníquese con AT&T Mobility antes de realizar cualquier mantenimiento a reparaciones cerca de las antenas de AT&T Mobility.

Esta es la estación base número _____

Favor comunicarse con la oficina de la administración del edificio si esta puerta o compuerta se encuentra sin candado

- INFORMATION SIGN 1:
1. 8" X 12" ALUMINUM.
 2. PLACE AT ENTRANCE (GATE, DOOR, HATCHWAY, ETC).
 3. POSTED ADJACENT TO CAUTION (YELLOW) SIGN.
 4. BUILDING OWNER MAY HAVE LIMITATIONS ON WHERE CAN BE POSTED.
 5. SEE SIGN PLACEMENT TABLE IN A-12 FOR ADDITIONAL INFORMATION

1 RADIO FREQUENCY INFORMATION SIGN
N.T.S.

INFORMATION

ACTIVE ANTENNAS ARE MOUNTED

ON THE OUTSIDE FACE OF THIS BUILDING

BEHIND THIS PANEL

ON THIS STRUCTURE

STAY BACK A MINIMUM OF 3 FEET FROM THESE ANTENNAS

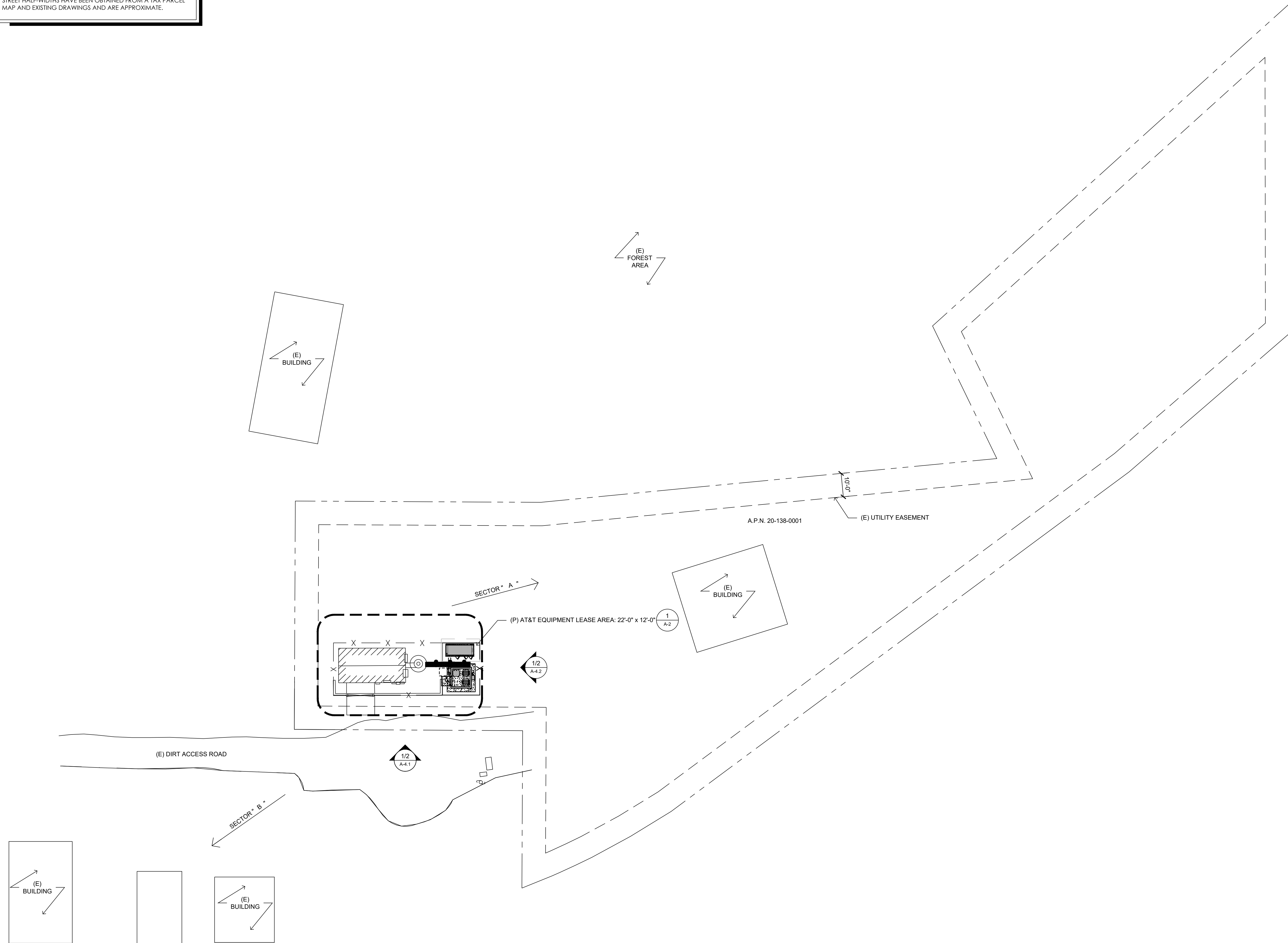
Contact AT&T Mobility at _____ and follow their instructions prior to performing any maintenance or repairs closer than 3 feet from the antennas.

This is AT&T Mobility site _____
AT&T Mobility

- INFORMATION SIGN 2:
1. NON-METALLIC (VINYL OR SIMILAR WEATHERPROOF MATERIAL) LABEL WITH AN ADHESIVE BACKING.
 2. APPROXIMATELY 5 X 7 INCHES.
- POSTING:
1. ACTIVE ANTENNAS BEHIND A RADIO TRANSPARENT PANEL. A NON METALLIC VERSION WITH AN ADHESIVE BACKING SHOULD BE AFFIXED TO THE FACE OF THE RADIO TRANSPARENT PANEL CONCEALING THE ANTENNAS.
 2. ANTENNAS MOUNTED ON THE OUTSIDE FACE OF A BUILDING. A METALLIC OR NON-METALLIC VERSION SHOULD BE MOUNTED ON THE PARAPETS INSIDE WALL DIRECTLY ABOVE THE ANTENNA.
 3. ROOFTOP ANTENNAS MOUNTED ON SUPPORT STRUCTURES. A METALLIC OR NON-METALLIC VERSION (DEPENDING UPON MOUNTING CONDITIONS) SHOULD BE MOUNTED ON THE SUPPORT STRUCTURE, OR VERY NEAR IT, IN SUCH A MANNER THAT THE SIGN IS CLEARLY ASSOCIATED WITH THE STRUCTURE.
 4. ANTENNAS THAT ARE STAND-ALONE (E.G., LAMP POSTS, STADIUMS) IN AREAS WHERE THERE IS LITTLE POTENTIAL FOR EXCEEDING THE GENERAL POPULATION/UNCONTROLLED MPE EXCEPT, PERHAPS, VERY CLOSE TO THE ANTENNA. IN THIS CASE, THE INFORMATION SIGN 2 WOULD BE MOUNTED CLOSE TO THE ANTENNA IN ORDER TO ALERT MAINTENANCE WORKERS.
 5. SEE SIGN PLACEMENT TABLE FOR ADDITIONAL INFORMATION.

THIS IS NOT A SITE SURVEY

ALL PROPERTY BOUNDARIES, ORIENTATION OF TRUE NORTH AND STREET HALF-WIDTHS HAVE BEEN OBTAINED FROM A TAX PARCEL MAP AND EXISTING DRAWINGS AND ARE APPROXIMATE.



AT&T Site ID:
UTL03026
546 OGDEN CANYON
OGDEN, UT 84401

Tower Owner:
CROWN CASTLE
2055 SOUTH STEARMAN DRIVE
CHANDLER, AZ 85286

PREPARED FOR
at&t
Mobility
161 Inverness Drive West 2nd floor
Englewood, Colorado 80112

A&E:
TELCYTE
INFRASTRUCTURE SERVICES
3450 N. HIGLEY RD. BLDG. 2, SUITE 102
MESA, AZ 85215

AT&T SITE NO: UTL03026
BU NO: 5800296
DRAWN BY: JM
CHECKED BY: CM

REV	DATE	DESCRIPTION
A	11/21/19	PRELIMINARY CDs
B	3/10/20	CLIENT COMMENTS

Licensors:

IT IS A VIOLATION OF LAW FOR ANY PERSON, UNLESS THEY ARE ACTING UNDER THE DIRECTION OF A LICENSED PROFESSIONAL ENGINEER, TO ALTER THIS DOCUMENT.

Issued For:
3/10/20
PRELIMINARY CDs

SHEET TITLE:
OVERALL SITE PLAN

SHEET NUMBER:
A-1

KEYNOTES

- 1 (E) 54'-4" MONOPOLE
- 2 (E) FENCE
- 3 (E) FENCE GATE
- 4 (E) UTILITY H-FRAME BY OTHERS
- 5 (E) EQUIPMENT SHELTER BY OTHERS
- 6 (E) LEASE AREA BY OTHERS
- 7 (E) ICE BRIDGE BY OTHERS
- 8 (E) FENCE BY OTHERS TO BE REMOVED
- 9 (E) TREES TO BE REMOVED
- 10 (E) ROCK

AT&T Site ID:
UTL03026
546 OGDEN CANYON
OGDEN, UT 84401

Tower Owner:
CROWN CASTLE
2055 SOUTH STEARMAN DRIVE
CHANDLER, AZ 85286

PREPARED FOR
at&t
Mobility
161 Inverness Drive West 2nd floor
Englewood, Colorado 80112

A&E:
TELCYTE
INFRASTRUCTURE SERVICES
3450 N. HIGLEY RD, BLDG. 2, SUITE 102
MESA, AZ 85215

AT&T SITE NO: UTL03026
BU NO: 5800296
DRAWN BY: JM
CHECKED BY: CM

REV	DATE	DESCRIPTION
A	11/21/19	PRELIMINARY CDs
B	3/10/20	CLIENT COMMENTS

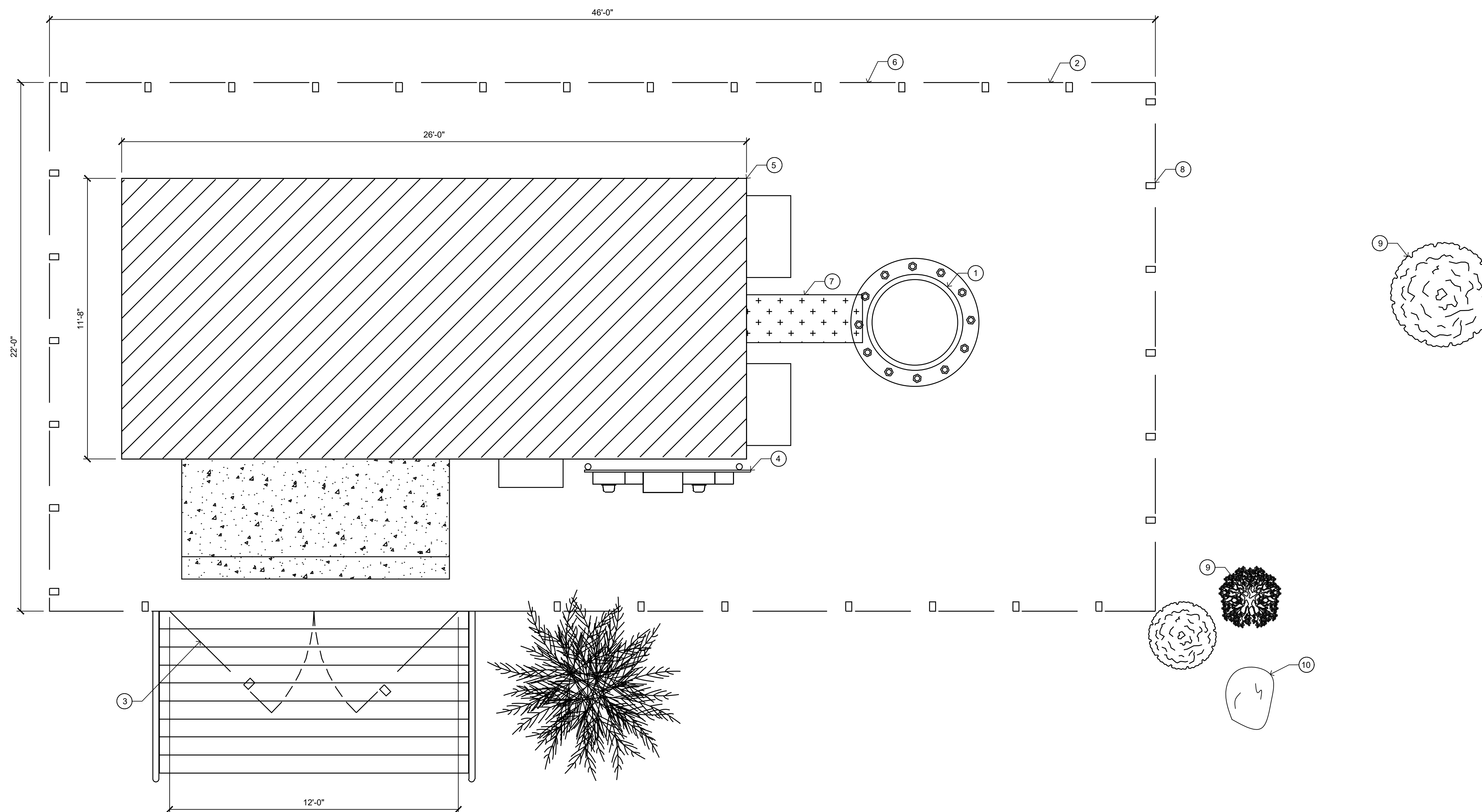
Licensor:

IT IS A VIOLATION OF LAW FOR ANY PERSON, UNLESS THEY ARE ACTING UNDER THE DIRECTION OF A LICENSED PROFESSIONAL ENGINEER, TO ALTER THIS DOCUMENT.

Issued For:
3/10/20
PRELIMINARY CDs

SHEET TITLE:
EXISTING
COMPOUND PLAN

SHEET NUMBER:
A-2



1 EXISTING COMPOUND PLAN
SCALE: 3/8"=1'-0" (FULL SIZE)
3/16"=1'-0" (11x17)



SITE TYPE: MONOPOLE/WIC

KEYNOTES

- 1 (E) 54'-4" MONOPOLE
- 2 (E) FENCE
- 3 (E) FENCE GATE
- 4 (E) UTILITY H-FRAME BY OTHERS
- 5 (E) EQUIPMENT SHELTER BY OTHERS
- 6 (E) LEASE AREA BY OTHERS
- 7 (E) ICE BRIDGE BY OTHERS
- 8 (P) AT&T 22'-0" X 12'-0" FENCED COMPOUND EXPANSION
- 9 (P) AT&T 22'-0" X 12'-0" LEASE AREA
- 10 (P) AT&T 8'-0"X8'-0" WALK IN CABINET ON 9'-0"X9'-0" CONCRETE PAD (SEE SHEET A2.2 FOR DETAILS)
- 11 (P) 30KW AC DIESEL GENERATOR ON 4'-0"X9'-0" CONCRETE PAD
- 12 (P) UTILITY FRAME W/ ELECTRICAL EQUIPMENT
- 13 (P) AT&T 17'-0" ICE BRIDGE
- 14 (P) AT&T CONCRETE STAIRS
- 15 (P) AT&T 17'-0" FENCE GATE
- 16 (P) TREE - BLUE SPRUCE (PICEA PUNGENS) (1) 4' EAST OF REMOVED TREE
- 17 (E) ROCK

AT&T Site ID:
UTL03026
546 OGDEN CANYON
OGDEN, UT 84401

Tower Owner:
CROWN CASTLE
2055 SOUTH STEARMAN DRIVE
CHANDLER, AZ 85286

PREPARED FOR
at&t Mobility
161 Inverness Drive West 2nd floor
Englewood, Colorado 80112

A&E:
TELCOYTE
INFRASTRUCTURE SERVICES
3450 N. HIGLEY RD, BLDG. 2, SUITE 102
MESA, AZ 85215

AT&T SITE NO: UTL03026
BU NO: 5800296
DRAWN BY: JM
CHECKED BY: CM

REV	DATE	DESCRIPTION
A	11/21/19	PRELIMINARY CDs
B	3/10/20	CLIENT COMMENTS

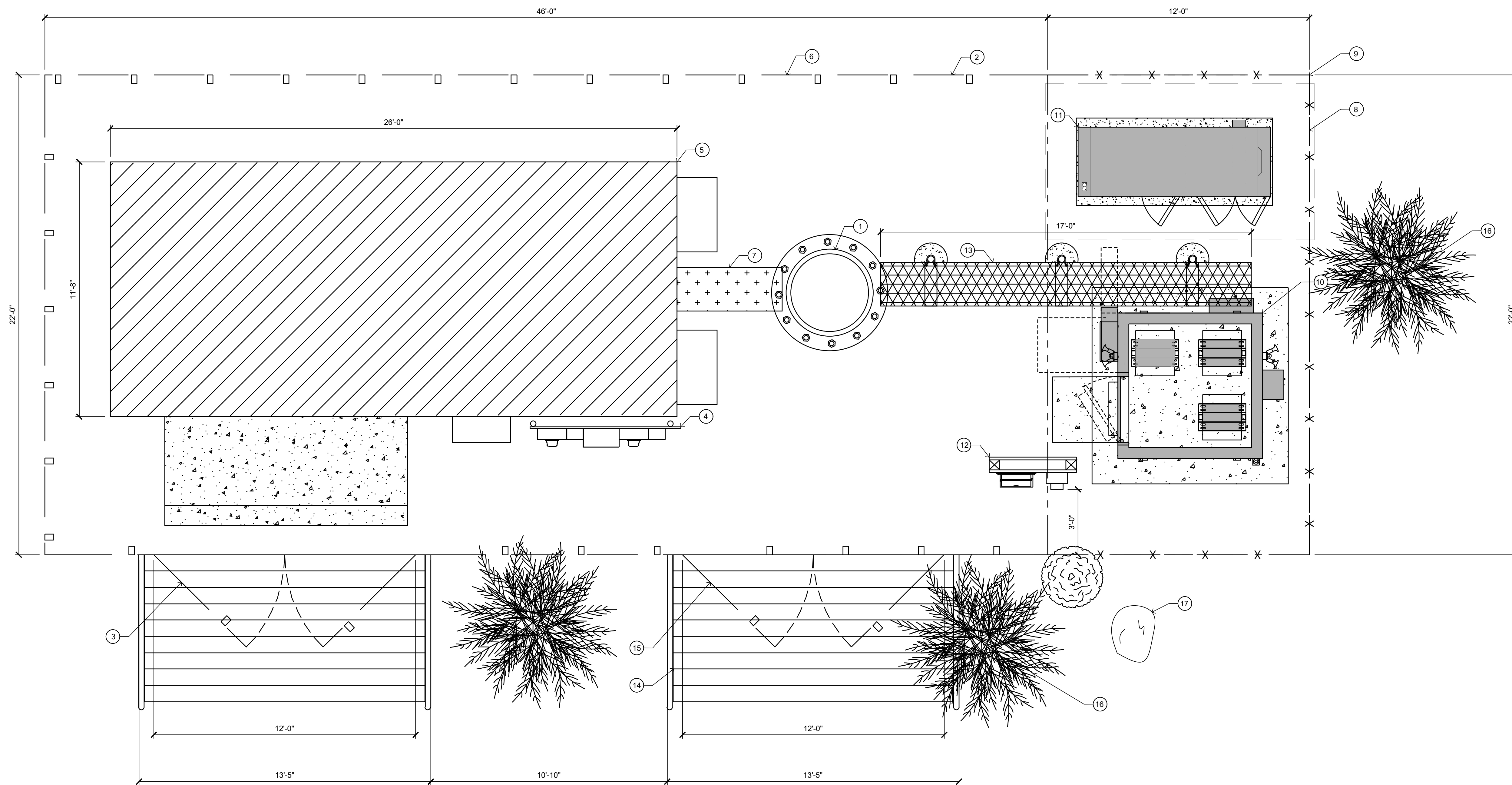
Licensor:

IT IS A VIOLATION OF LAW FOR ANY PERSON, UNLESS THEY ARE ACTING UNDER THE DIRECTION OF A LICENSED PROFESSIONAL ENGINEER, TO ALTER THIS DOCUMENT.

Issued For:
3/10/20
PRELIMINARY CDs

SHEET TITLE:
PROPOSED COMPOUND PLAN

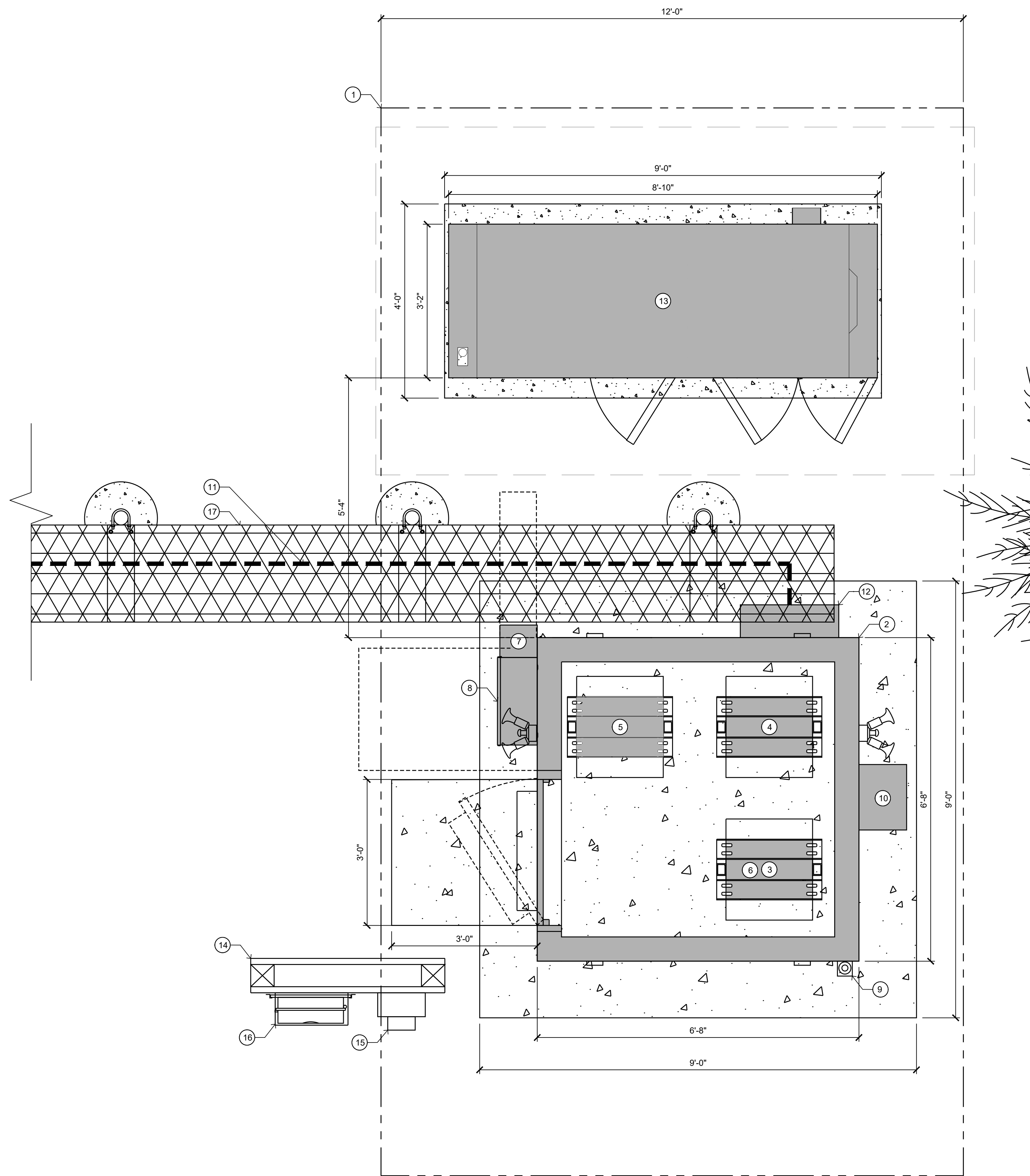
SHEET NUMBER:
A-2.1



1 PROPOSED COMPOUND PLAN
SCALE: 3/8"=1'-0" (FULL SIZE)
3/16"=1'-0" (11x17)



SITE TYPE: MONOPOLE/WIC



KEYNOTES

- 1 (P) 22'-0" X 12'-0" LEASE AREA
- 2 (P) AT&T 8'-0" X 8'-0" WALK IN CABINET ON 12'-0" X 12'-0" CONCRETE PAD
- 3 (P) RADIO RACK
- 4 (P) TRANSPORT RACK
- 5 (P) POWER PLANT RACK w/ (3) STRING OF BATTERIES
- 6 (P) CIENA
- 7 (P) CAMLOCK GENERATOR INTERFACE
- 8 (P) 200A 30 CIRCUIT LOAD CENTER / AUTOMATIC TRANSFER SWITCH w/ CAMLOCK
- 9 (P) GPS UNIT
- 10 (P) HVAC
- 11 (P) (4) DC TRUNKS & (2) FIBER TRUNKS
- 12 (P) (2) DC12s
- 13 (P) 30KW AC DIESEL GENERATOR ON 4'-0" X 9'-0" CONCRETE PAD
- 14 (P) UTILITY H-FRAME
- 15 (P) ELECTRICAL METER AND MAIN BREAKER w/ GFCI OUTLET
- 16 (P) 18"X18"X8" TELCO CAN
- 17 (P) 17'-0" ICE BRIDGE

AT&T Site ID:
UTL03026
546 OGDEN CANYON
OGDEN, UT 84401

Tower Owner:
CROWN CASTLE
2055 SOUTH STEARMAN DRIVE
CHANDLER, AZ 85286

PREPARED FOR
at&t
Mobility
161 Inverness Drive West 2nd floor
Englewood, Colorado 80112

A&E:
TELCYTE
INFRASTRUCTURE SERVICES
3450 N. HIGLEY RD, BLDG. 2, SUITE 102
MESA, AZ 85215

AT&T SITE NO: UTL03026
BU NO: 5800296
DRAWN BY: JM
CHECKED BY: CM

REV	DATE	DESCRIPTION
A	11/21/19	PRELIMINARY CDs
B	3/10/20	CLIENT COMMENTS

Licenser:

IT IS A VIOLATION OF LAW FOR ANY PERSON, UNLESS THEY ARE ACTING UNDER THE DIRECTION OF A LICENSED PROFESSIONAL ENGINEER, TO ALTER THIS DOCUMENT.

Issued For:
3/10/20
PRELIMINARY CDs

SHEET TITLE:
INTERIOR WIC LAYOUT

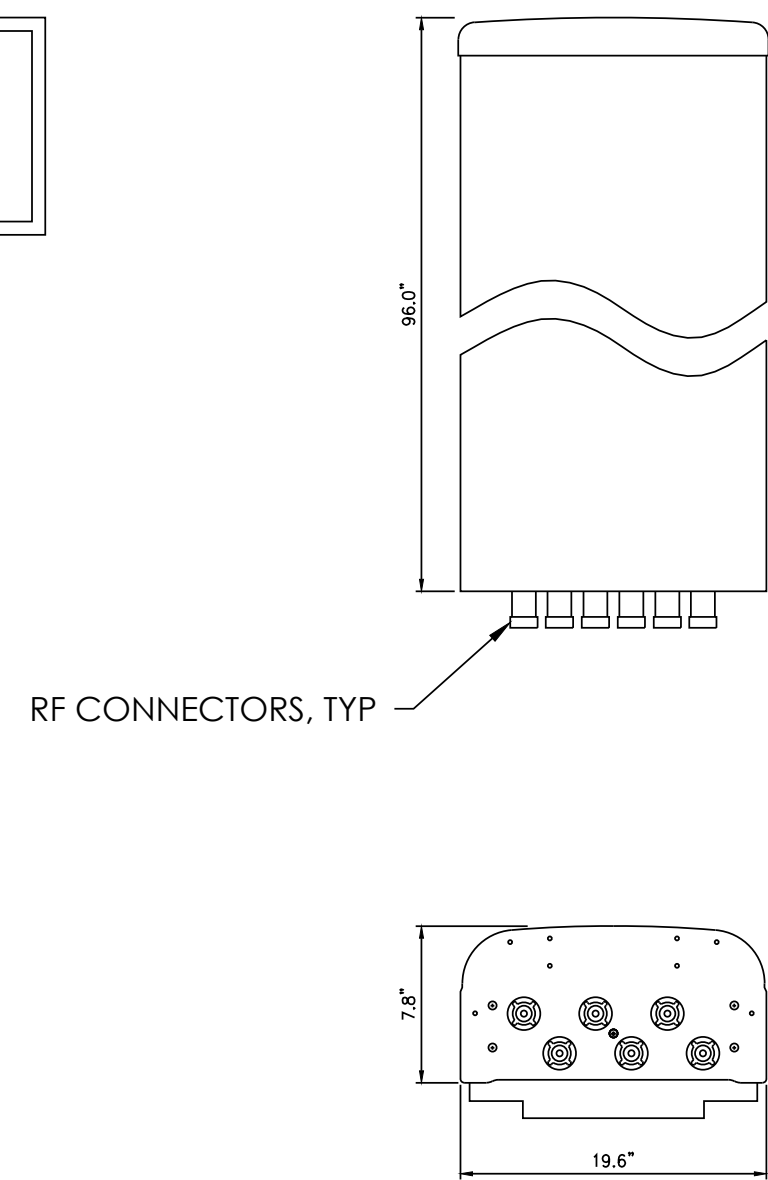
SHEET NUMBER:
A-2.2

1 INTERIOR WIC LAYOUT
SCALE: 3/4"=1'-0" (FULL SIZE)
3/8"=1'-0" (11x17)



SITE TYPE: MONOPOLE/WIC

LENGTH: 96.0"
 WIDTH: 19.6"
 DEPTH: 7.8"
 WEIGHT: 102.1 lbs.

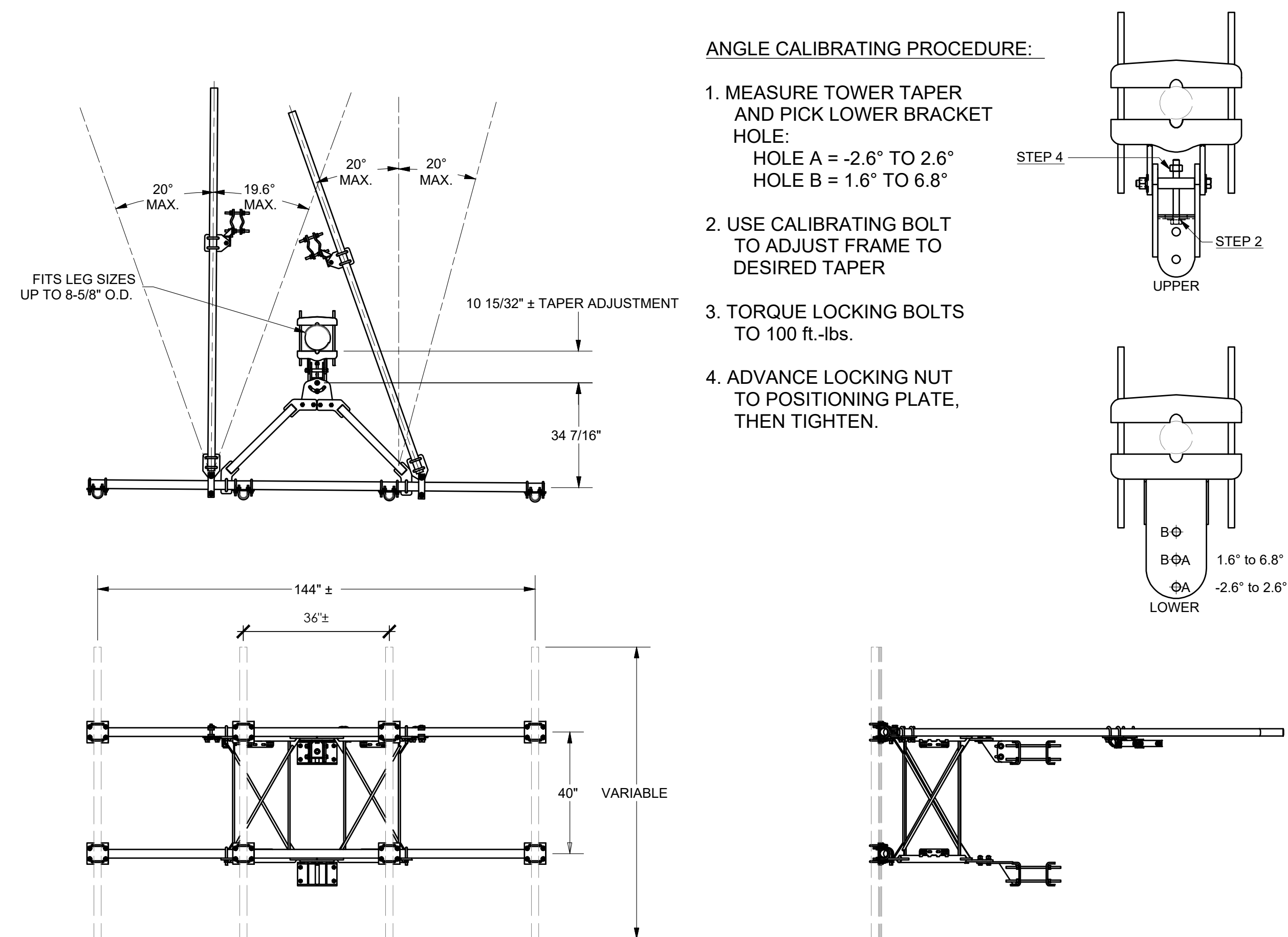


4 COMMSCOPE - NNH4-65C-R6-V3 DETAIL
 SCALE: NOT TO SCALE

NEW ANTENNA SCHEDULE						
SECTOR	POSITION	TECH	ANTENNA	RRH	AZIMUTH	ANTENNA DIMS (HxWxD)
ALPHA	1	-	-	-	-	-
ALPHA	2	LTE	COMMSCOPE - NNH4-65C-R6-V3	(1) ANCA (1) ANFB	75	96.0"x19.6"x7.8"
ALPHA	3	-	-	-	-	-
ALPHA	4	LTE	COMMSCOPE - NNH4-65C-R6-V3	(1) ANCA (1) ANFB	75	96.0"x19.6"x7.8"
BETA	1	-	-	-	-	-
BETA	2	LTE	COMMSCOPE - NNH4-65C-R6-V3	(1) ANCA (1) ANFB	235	96.0"x19.6"x7.8"
BETA	3	-	-	-	-	-
BETA	4	LTE	COMMSCOPE - NNH4-65C-R6-V3	(1) ANCA (1) ANFB	235	96.0"x19.6"x7.8"

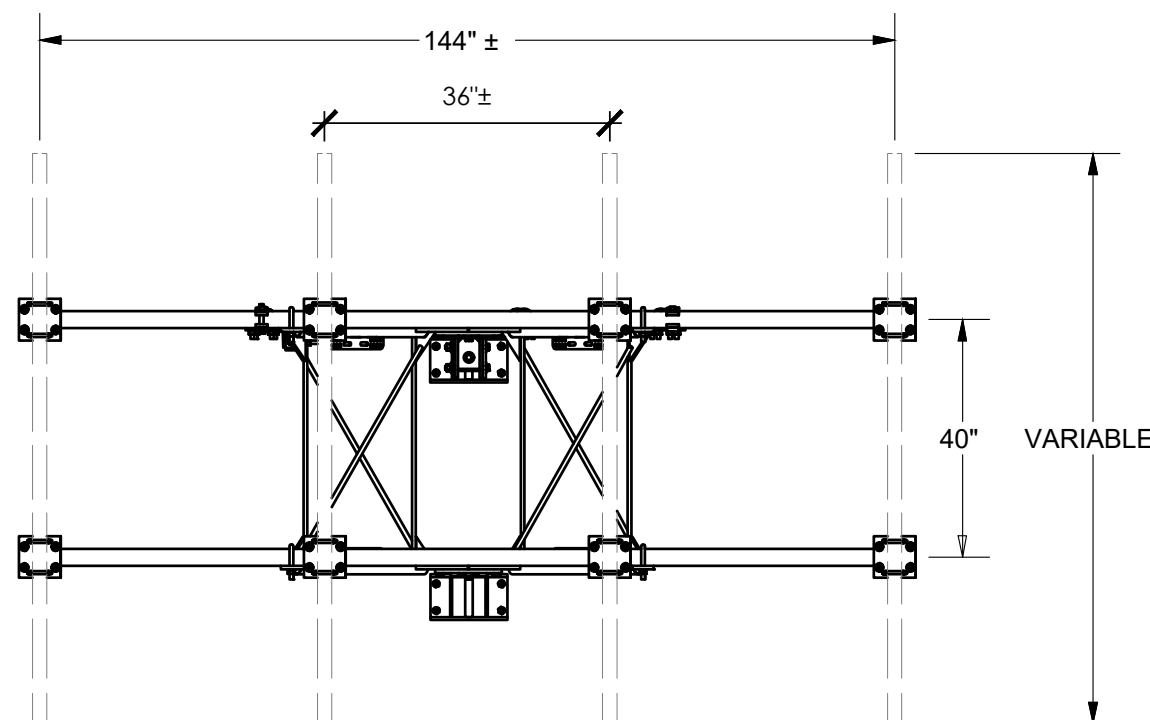
NOTE: CONFIRM THAT GENERAL CONTRACTOR IS USING LATEST VERSION OF RFDS.

2 RF SCHEDULE
 SCALE: NOT TO SCALE

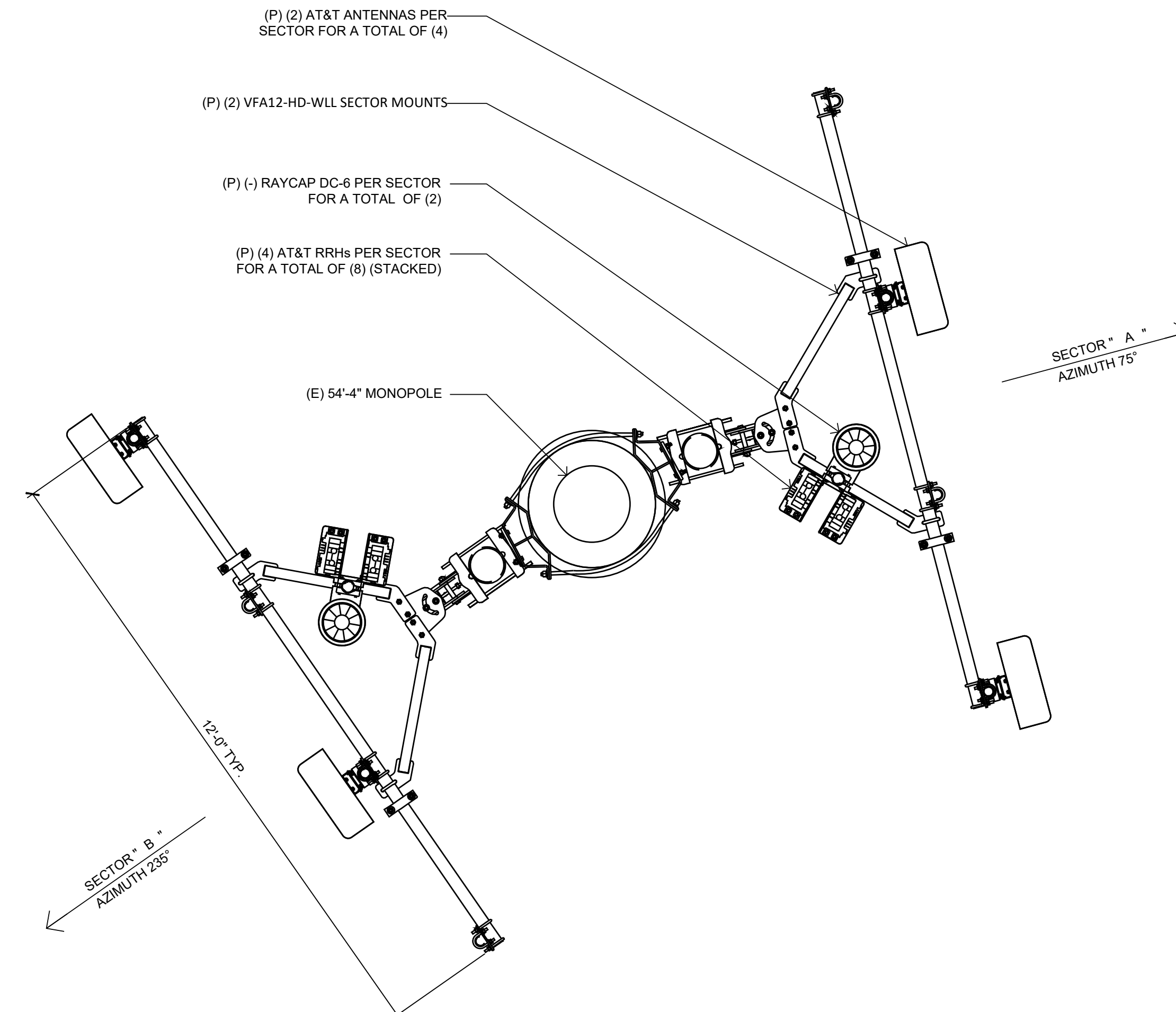


ANGLE CALIBRATING PROCEDURE:

1. MEASURE TOWER TAPER AND PICK LOWER BRACKET HOLE:
 HOLE A = -2.6° TO 2.6°
 HOLE B = 1.6° TO 6.8°
2. USE CALIBRATING BOLT TO ADJUST FRAME TO DESIRED TAPER
3. TORQUE LOCKING BOLTS TO 100 ft.-lbs.
4. ADVANCE LOCKING NUT TO POSITIONING PLATE, THEN TIGHTEN.



3 SITEPRO1 VFA12-HD-WLL-30120 HEAVY WLL ANTENNA FRAME DETAIL - ANT# 15997
 SCALE: NOT TO SCALE



1 ANTENNA PLAN
 SCALE: 1/2"=1'-0" (FULL SIZE)
 1/4"=1'-0" (11x17)

SITE TYPE: MONOPOLE/WIC

AT&T Site ID:
 UTL03026
 546 OGDEN CANYON
 OGDEN, UT 84401

Tower Owner:

 2055 SOUTH STEARMAN DRIVE
 CHANDLER, AZ 85286

PREPARED FOR

 161 Inverness Drive West 2nd floor
 Englewood, Colorado 80112

A&E:

 3450 N. HIGLEY RD, BLDG. 2, SUITE 102
 MESA, AZ 85215

AT&T SITE NO: UTL03026
 BU NO: 5800296
 DRAWN BY: JM
 CHECKED BY: CM

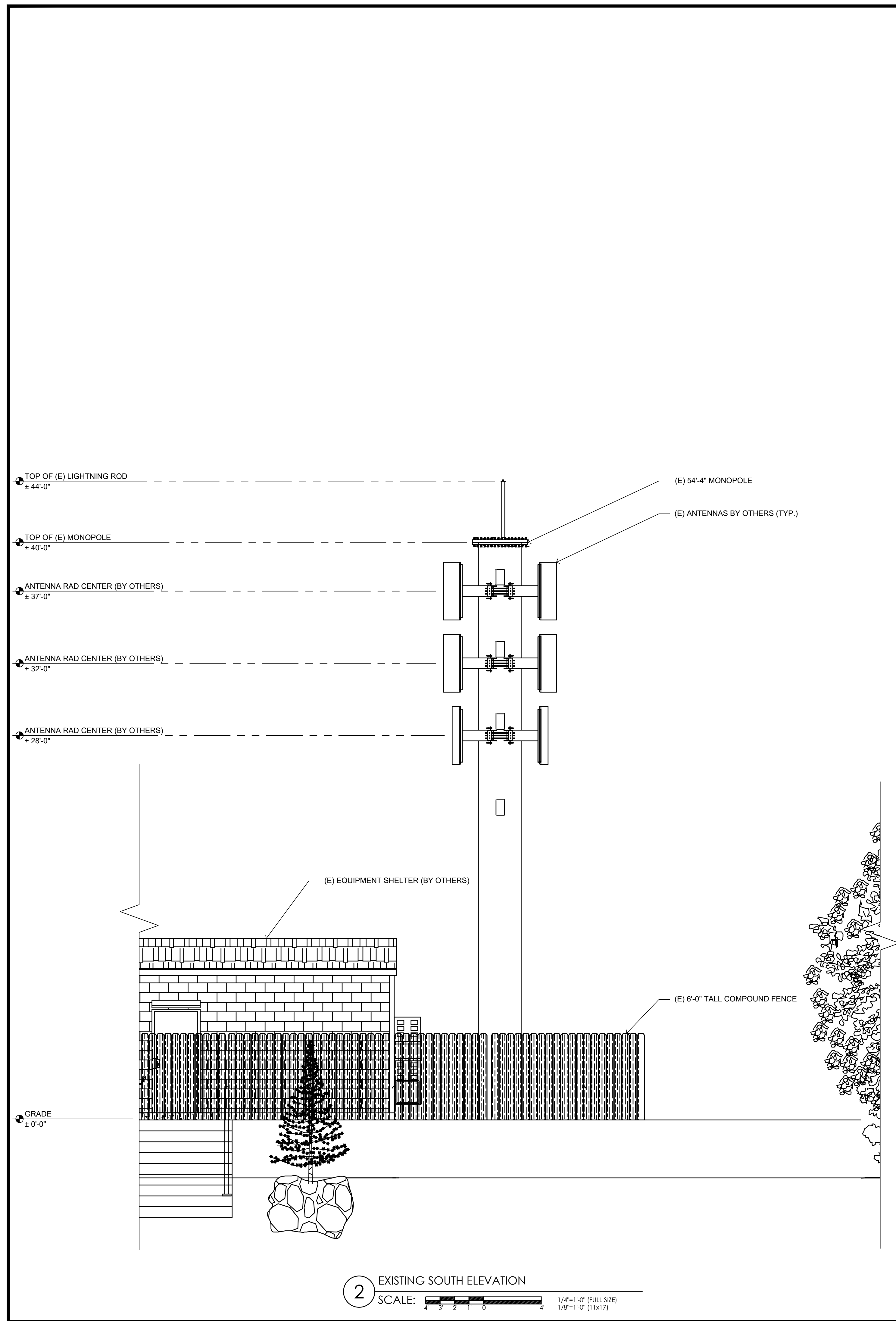
REV	DATE	DESCRIPTION
A	11/21/19	PRELIMINARY CDs
B	3/10/20	CLIENT COMMENTS

Licensor:
 IT IS A VIOLATION OF LAW FOR ANY PERSON, UNLESS THEY ARE ACTING UNDER THE DIRECTION OF A LICENSED PROFESSIONAL ENGINEER, TO ALTER THIS DOCUMENT.

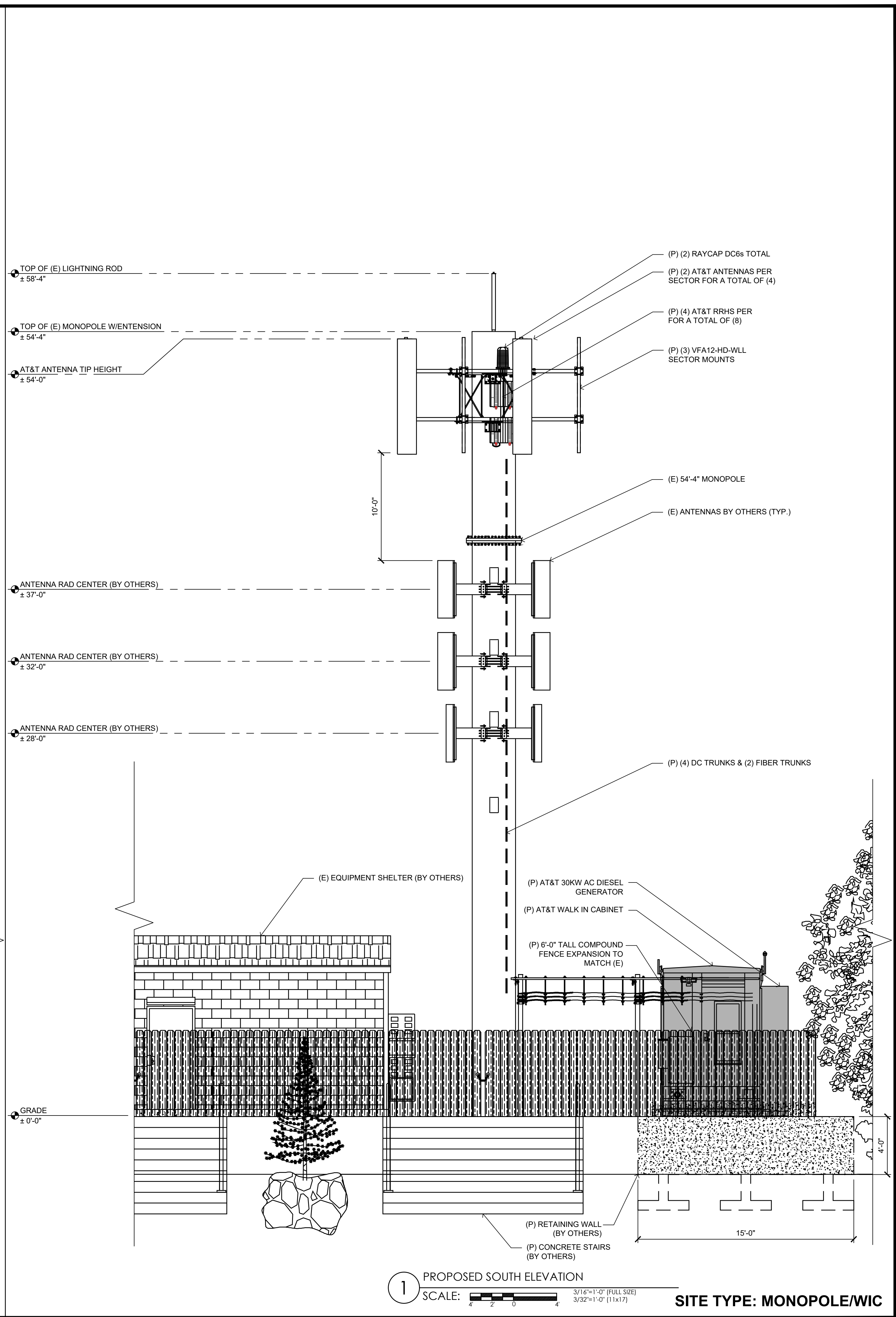
Issued For:
 3/10/20
 PRELIMINARY CDs

SHEET TITLE:
 ANTENNA PLAN & DETAILS

SHEET NUMBER:
A-3



2 EXISTING SOUTH ELEVATION
 SCALE: 1/4"=1'-0" (FULL SIZE)
 1/8"=1'-0" (11x17)



1 PROPOSED SOUTH ELEVATION
 SCALE: 3/16"=1'-0" (FULL SIZE)
 3/32"=1'-0" (11x17)
SITE TYPE: MONOPOLE/WIC

AT&T Site ID: UTL03026
 546 OGDEN CANYON
 OGDEN, UT 84401

Tower Owner:
CROWN CASTLE
 2055 SOUTH STEARMAN DRIVE
 CHANDLER, AZ 85286

PREPARED FOR
at&t Mobility
 161 Inverness Drive West 2nd floor
 Englewood, Colorado 80112

A&E:
TELCYTE
 INFRASTRUCTURE SERVICES
 3450 N. HIGLEY RD, BLDG. 2, SUITE 102
 MESA, AZ 85215

AT&T SITE NO: UTL03026
 BU NO: 5800296
 DRAWN BY: JM
 CHECKED BY: CM

REV	DATE	DESCRIPTION
A	11/21/19	PRELIMINARY CDs
B	3/10/20	CLIENT COMMENTS

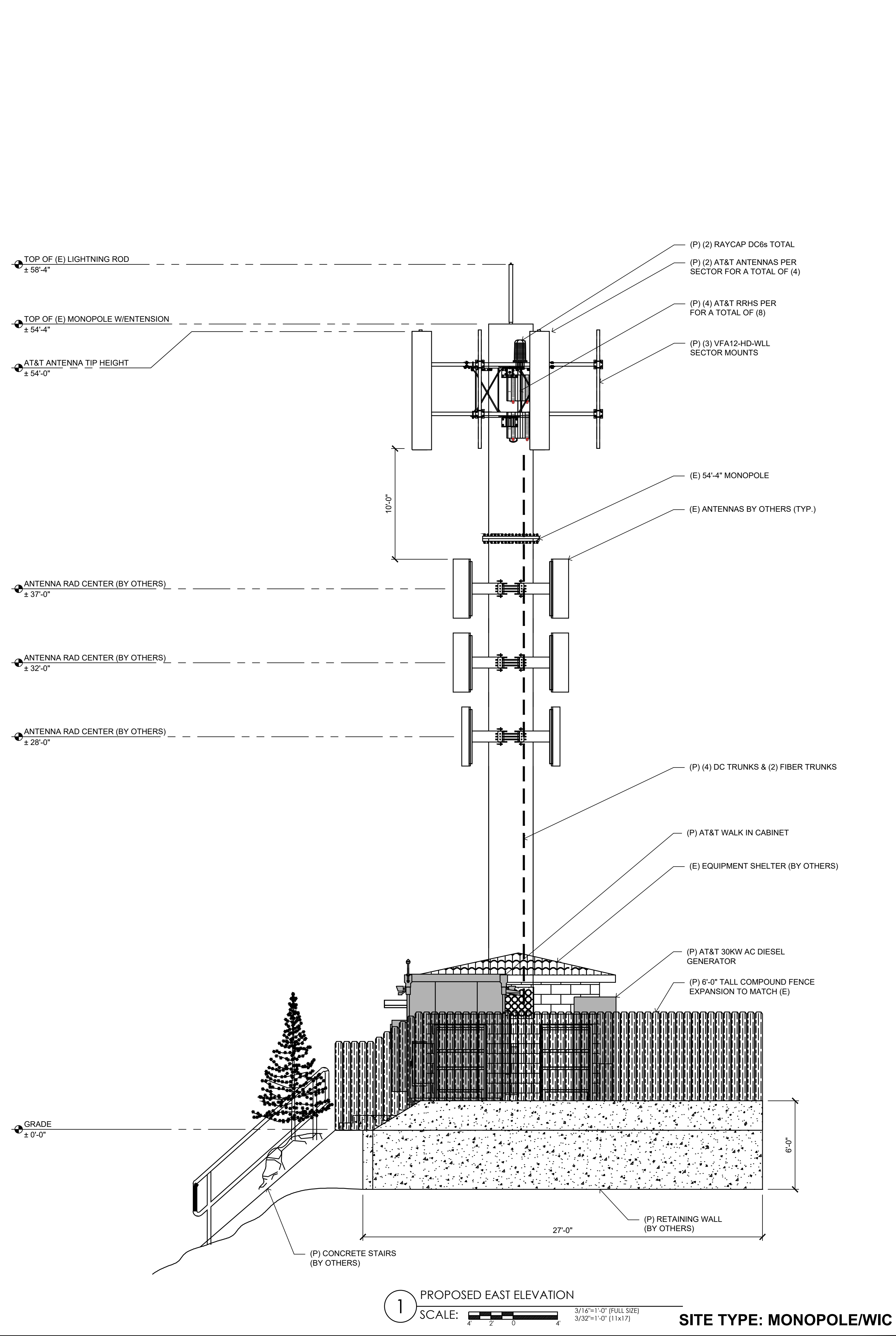
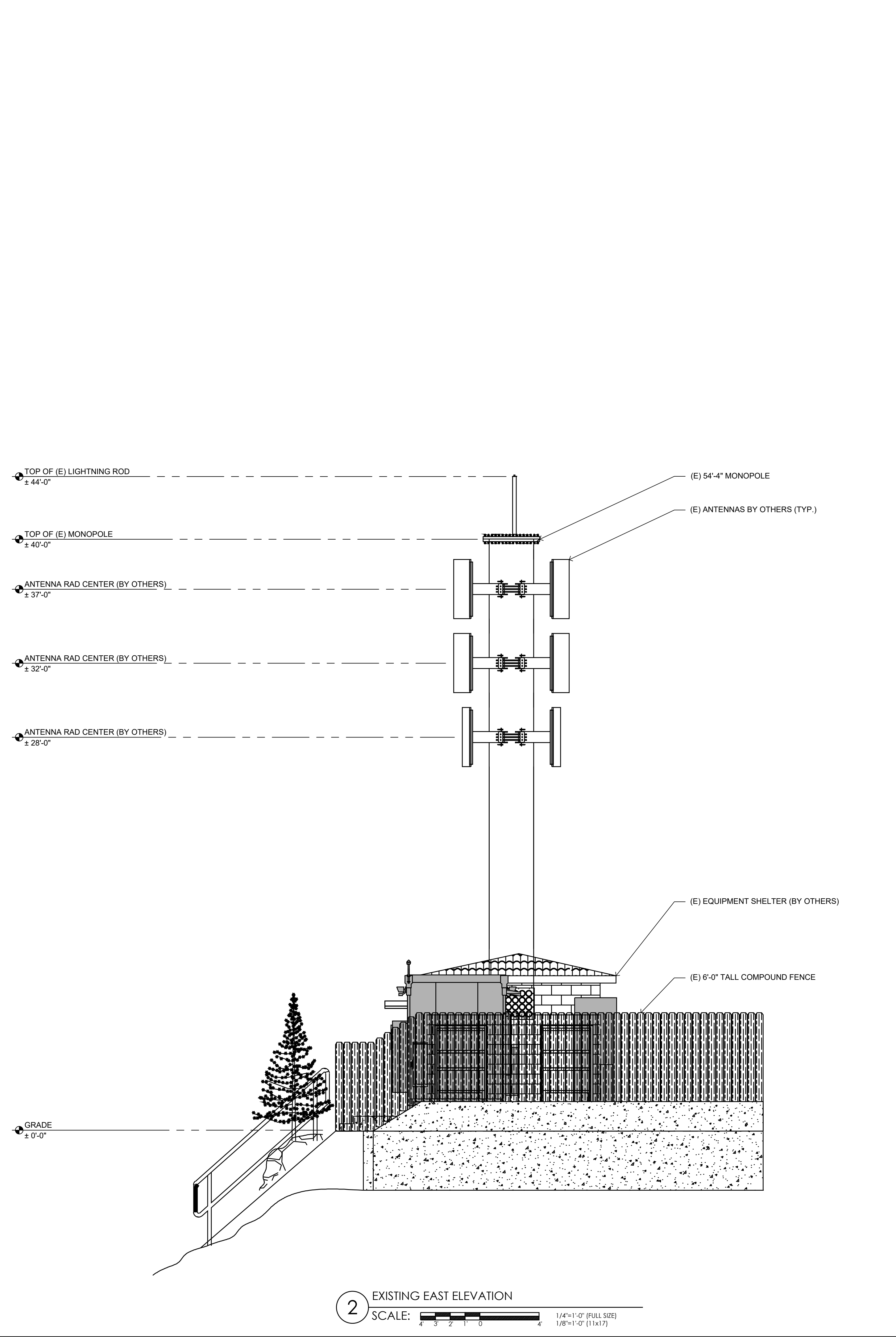
Licensor:

IT IS A VIOLATION OF LAW FOR ANY PERSON, UNLESS THEY ARE ACTING UNDER THE DIRECTION OF A LICENSED PROFESSIONAL ENGINEER, TO ALTER THIS DOCUMENT.

Issued For:
 3/10/20
 PRELIMINARY CDs

SHEET TITLE:
PROPOSED MONOPOLE SOUTH ELEVATION

SHEET NUMBER:
A-4.1



AT&T Site ID: UTL03026
546 OGDEN CANYON
OGDEN, UT 84401

Tower Owner:
CROWN CASTLE
2055 SOUTH STEARMAN DRIVE
CHANDLER, AZ 85286

PREPARED FOR
at&t Mobility
161 Inverness Drive West 2nd floor
Englewood, Colorado 80112

A&E:
TELCYTE
INFRASTRUCTURE SERVICES
3450 N. HIGLEY RD. BLDG. 2, SUITE 102
MESA, AZ 85215

AT&T SITE NO: UTL03026
BU NO: 5800296
DRAWN BY: JM
CHECKED BY: CM

REV	DATE	DESCRIPTION
A	11/21/19	PRELIMINARY CDs
B	3/10/20	CLIENT COMMENTS

Licensor:

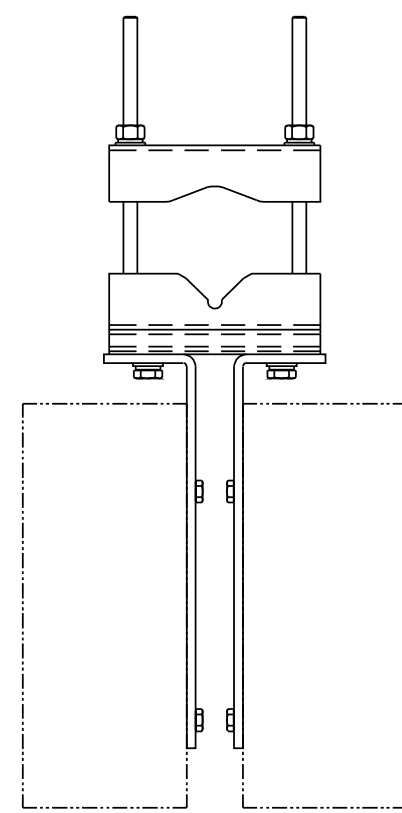
IT IS A VIOLATION OF LAW FOR ANY PERSON, UNLESS THEY ARE ACTING UNDER THE DIRECTION OF A LICENSED PROFESSIONAL ENGINEER, TO ALTER THIS DOCUMENT.

Issued For:
3/10/20
PRELIMINARY CDs

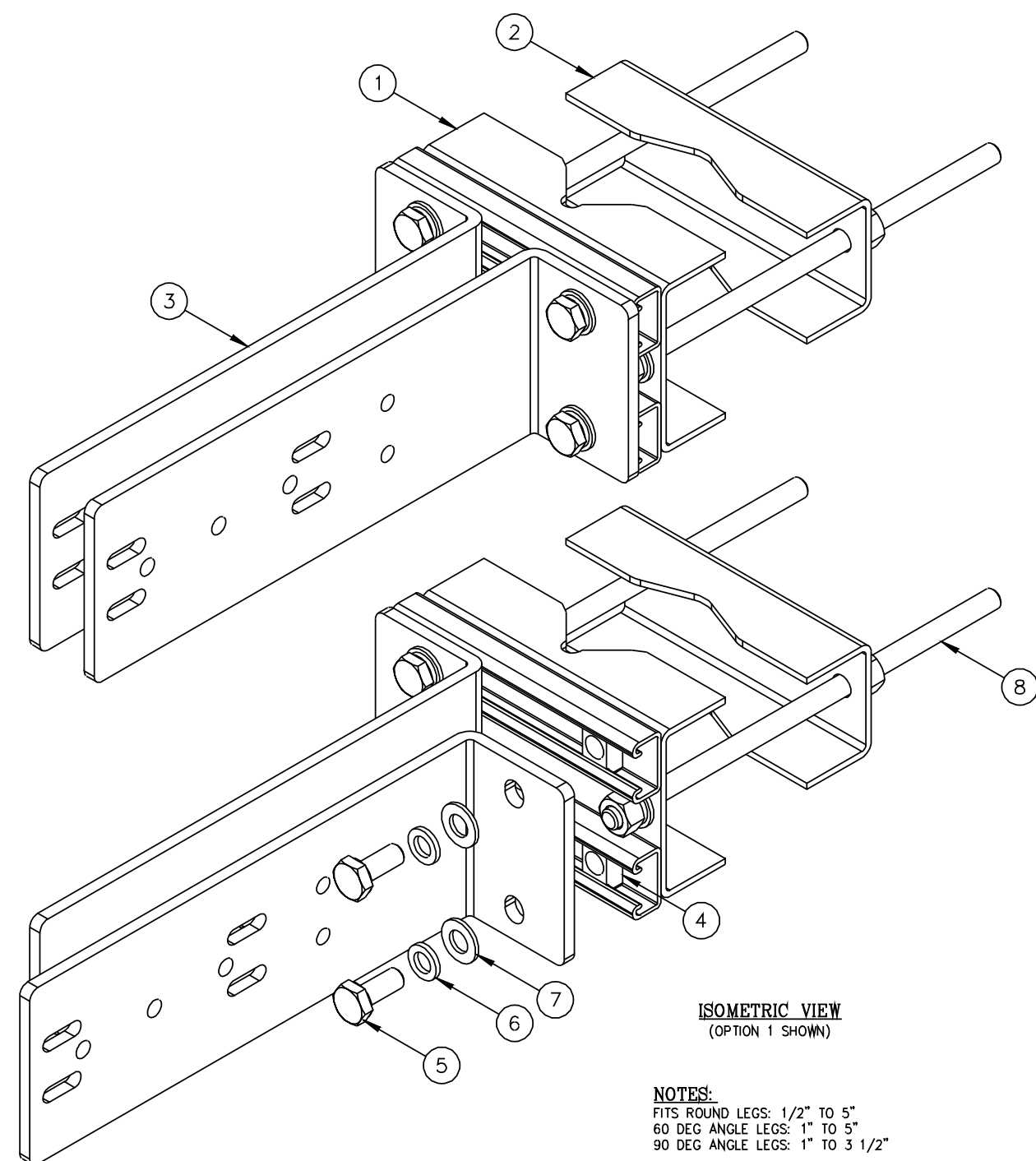
SHEET TITLE:
PROPOSED
MONOPOLE EAST
ELEVATION

SHEET NUMBER:
A-4.2

SITE TYPE: MONOPOLE/WIC



PLAN VIEW



NOTES:
 FITS ROUND LEGS: 1/2" TO 5"
 60 DEG ANGLE LEGS: 1" TO 5"
 90 DEG ANGLE LEGS: 1" TO 3 1/2"

ITEM	QTY	PART NO.	DESCRIPTION	WEIGHT
1	2	CW01192	WELDMENT, FRONT CLAMP	9
2	2	CS03080	BACK CLAMP	5
3	4	CS03079	ANGLE, RRU MOUNT	29
4	8	C4098382	G-STRUT SPRING NUT GN-B12 1/2"-13 OR EQUAL	1
5	8	C40112028	BOLT, 1/2" X 1 1/4 S.S.	1
6	8	C40018003	1/2" LOCK WASHER, S.S.	1
7	8	C40020012	1/2" FLAT WASHER, S.S.	1
8	4	C40032007	THREADED ROD ASSEMBLY, 1/2" X 12 HDG	5
TOTAL WEIGHT				52

7 DUAL MOUNTING BRACKET
NOT TO SCALE

Commscope Part Number	SSH-47	SSH-710	SSH-1014	SSH-1416
Compatible Diameter, MAXIMUM	7.000 mm	10.000 mm	14.000 mm	16.000 mm
Compatible Diameter, MINIMUM	4.000 mm	7.100 mm	10.100 mm	14.100 mm
Typical Use	fiber jumper	fiber trunk	#10 & 12 AWG DC jumpers	1/2" Coax Cable jumper
Package Quantity	10	10	10	10
AT&T Item Master Number	ANT.16979	ANT.16980	ANT.16981	ANT.16982

Commscope SnapStak hanger spec sheets and installation instructions may be found at the following links (internal AT&T and external for Turf Vendors, installers, etc.):

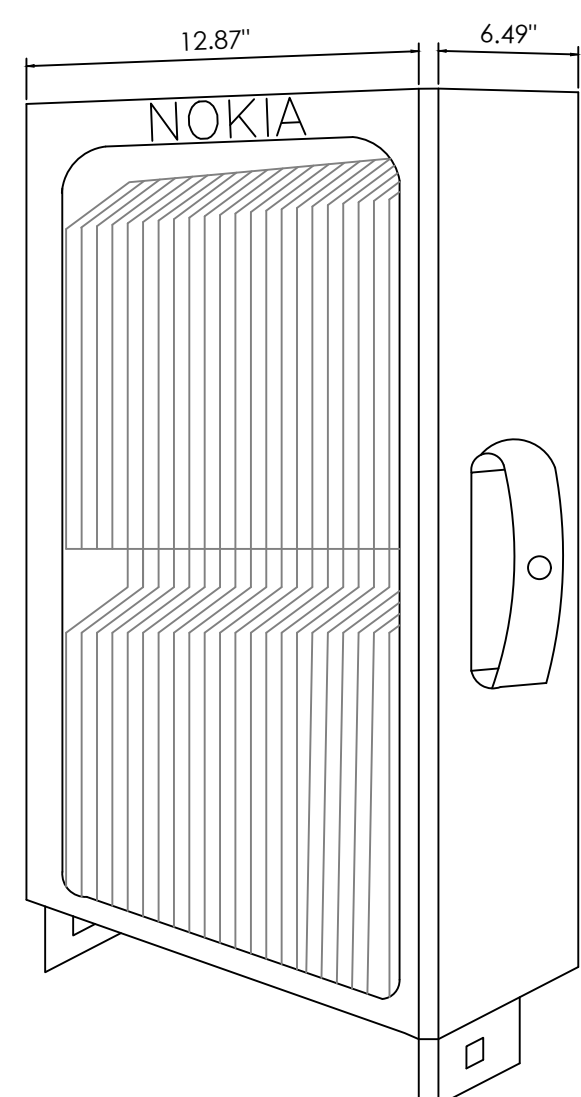
- CEMPO SharePoint-PIM Mitigation Mounting Hardware (Internal AT&T use)
- Commscope SnapStak Spec Sheets (external links)
 - SSH-47
 - SSH-710
 - SSH-1014
 - SSH-1416
- Commscope SnapStak Installation Instructions (external links)
 - SSH-47
 - SSH-710 & SSH-1014
 - SSH-1416

Commscope SnapStak SSH-1416 example shown below (1/2" coax jumper model)



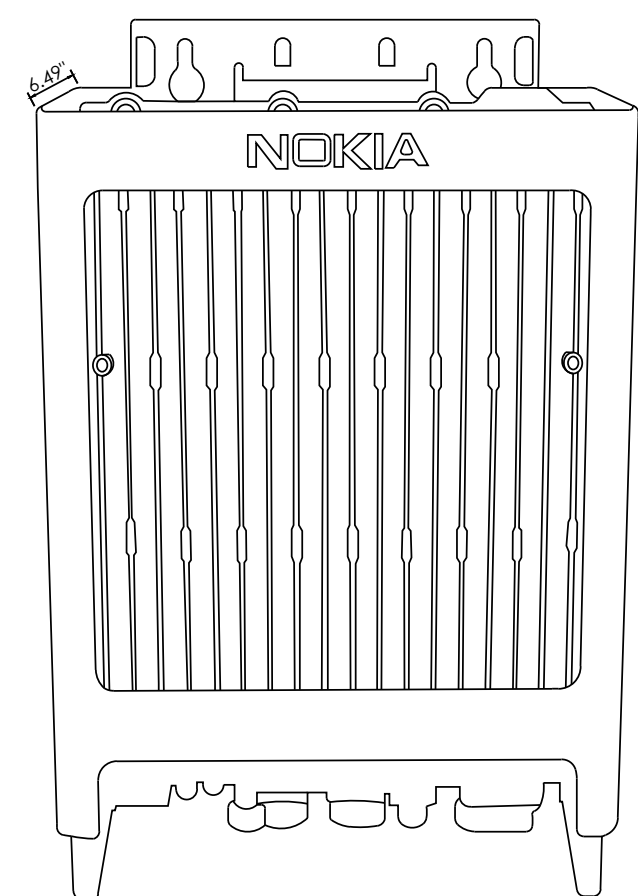
6 JUMPER ATTACHMENT DETAIL
NOT TO SCALE

MANUFACTURER: NOKIA
 MODEL: AIRSCALE RRH 4T4R B30 (OR SIMILAR)
 HEIGHT: 26.57" (675mm)
 WIDTH: 12.87" (327mm)
 DEPTH: 6.49" (165mm)
 WEIGHT: <88.18 LBS (40.0KG)



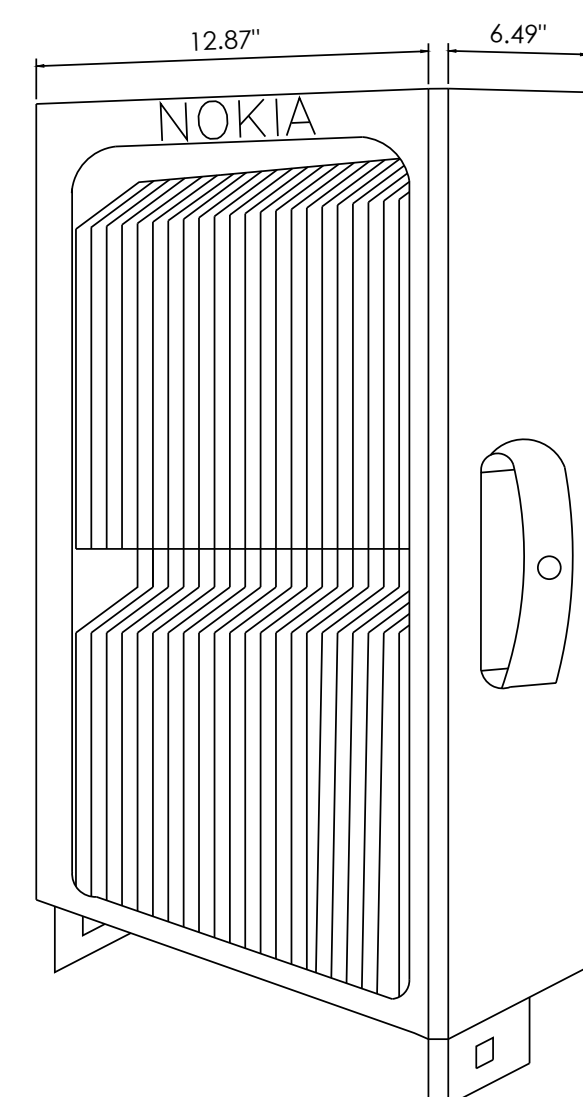
5 RRH DETAIL
NOT TO SCALE

MANUFACTURER: NOKIA
 MODEL: AIRSCALE RRH 4T4R B5 160W (OR SIMILAR)
 HEIGHT: 13.26" (337mm)
 WIDTH: 11.61" (295mm)
 DEPTH: 6.49" (165mm)
 WEIGHT: 36.82 LBS (16.7KG)



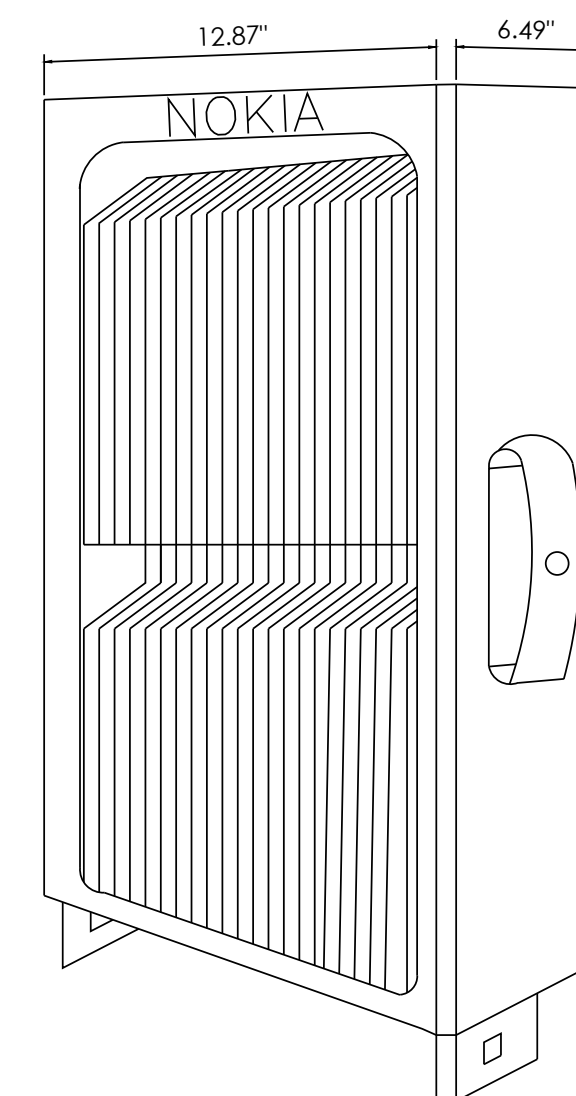
4 RRH DETAIL
NOT TO SCALE

MANUFACTURER: NOKIA
 MODEL: AIRSCALE RRH 4T4R B25/B66 320W (OR SIMILAR)
 HEIGHT: 26.57" (675mm)
 WIDTH: 12.87" (327mm)
 DEPTH: 6.49" (165mm)
 WEIGHT: <88.18 LBS (40.0KG)



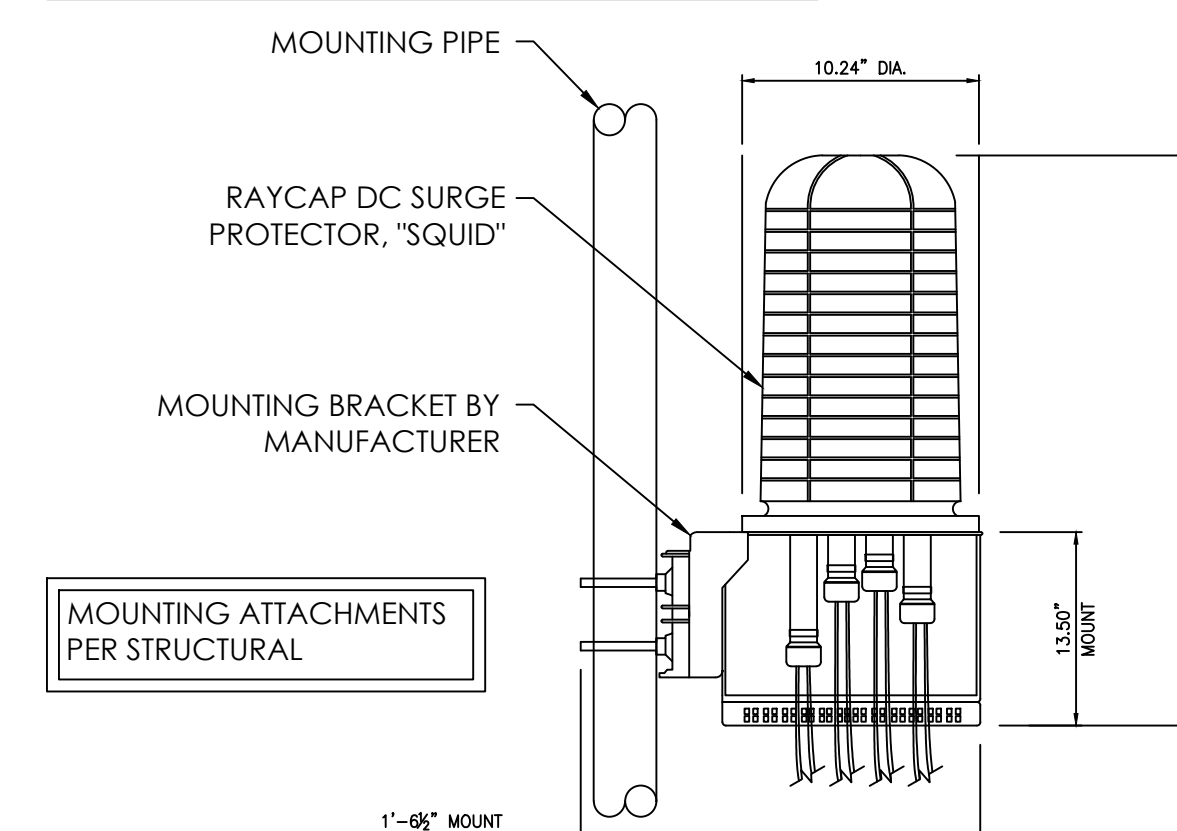
3 RRH DETAIL
NOT TO SCALE

MANUFACTURER: NOKIA
 MODEL: AIRSCALE RRH 4T4R B12/B14 320W (OR SIMILAR)
 HEIGHT: 26.57" (675mm)
 WIDTH: 12.87" (327mm)
 DEPTH: 6.49" (165mm)
 WEIGHT: <101.41 LBS (46.0KG)



2 RRH DETAIL
NOT TO SCALE

MANUF: RAYCAP
 DESC: SURGE PROTECTOR "SQUID" (OR SIMILAR)
 MODEL: DC6-48-60-18-8F
 WEIGHT: 26.2 LBS



1 SURGE SUPPRESSOR DETAIL
NOT TO SCALE
SITE TYPE: MONOPOLE/WIC

AT&T Site ID:
UTL03026
546 OGDEN CANYON
OGDEN, UT 84401

Tower Owner:
CROWN CASTLE
2055 SOUTH STEARMAN DRIVE
CHANDLER, AZ 85286

PREPARED FOR
at&t
Mobility
161 Inverness Drive West 2nd floor
Englewood, Colorado 80112

A&E:
TELCYTE
INFRASTRUCTURE SERVICES
3450 N. HIGLEY RD. BLDG. 2, SUITE 102
MESA, AZ 85215

AT&T SITE NO: UTL03026

BU NO: 5800296

DRAWN BY: JM

CHECKED BY: CM

REV	DATE	DESCRIPTION
A	11/21/19	PRELIMINARY CDs
B	3/10/20	CLIENT COMMENTS

Licensor:

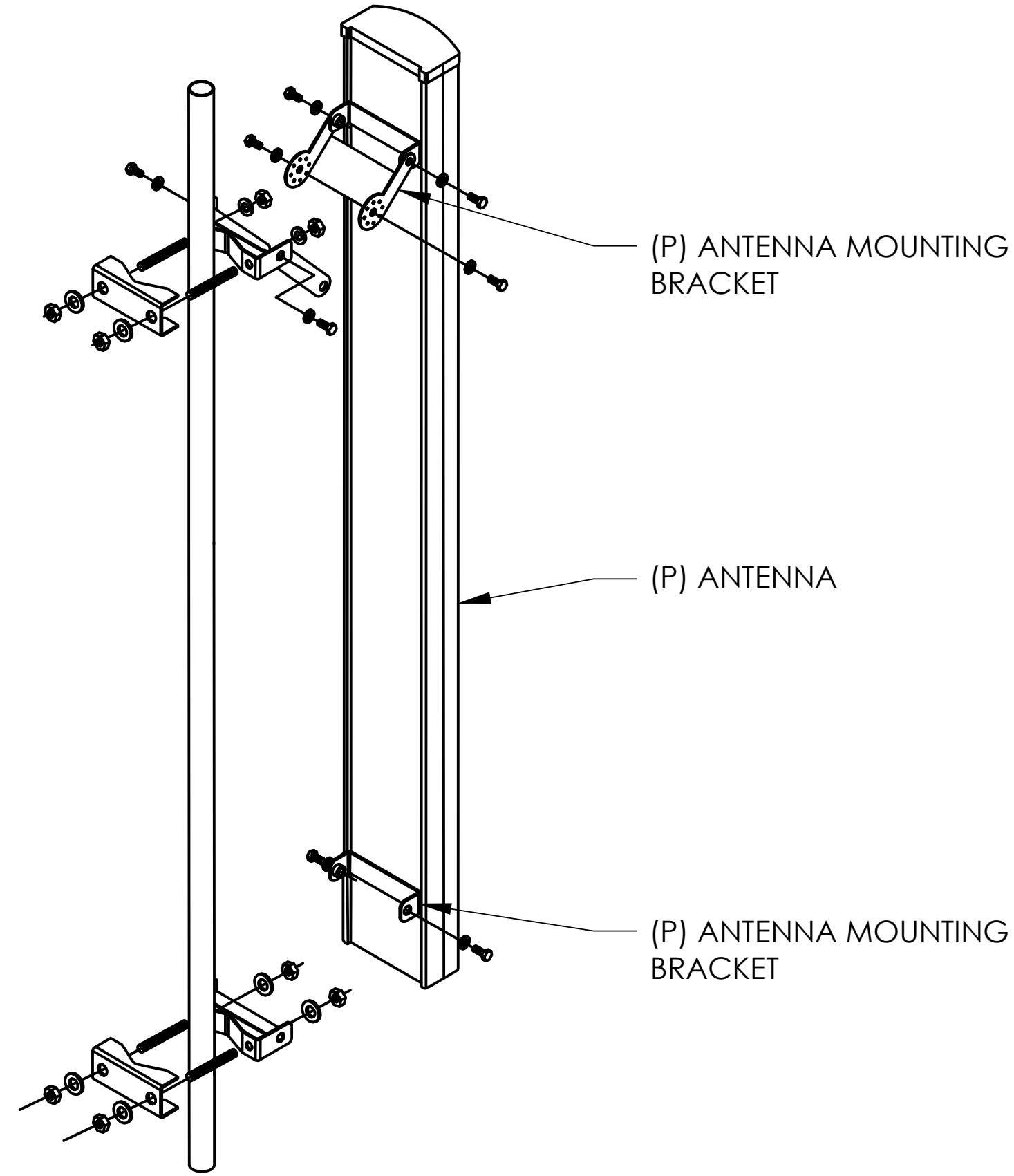
IT IS A VIOLATION OF LAW FOR ANY PERSON, UNLESS THEY ARE ACTING UNDER THE DIRECTION OF A LICENSED PROFESSIONAL ENGINEER, TO ALTER THIS DOCUMENT.

Issued For:
3/10/20
PRELIMINARY CDs

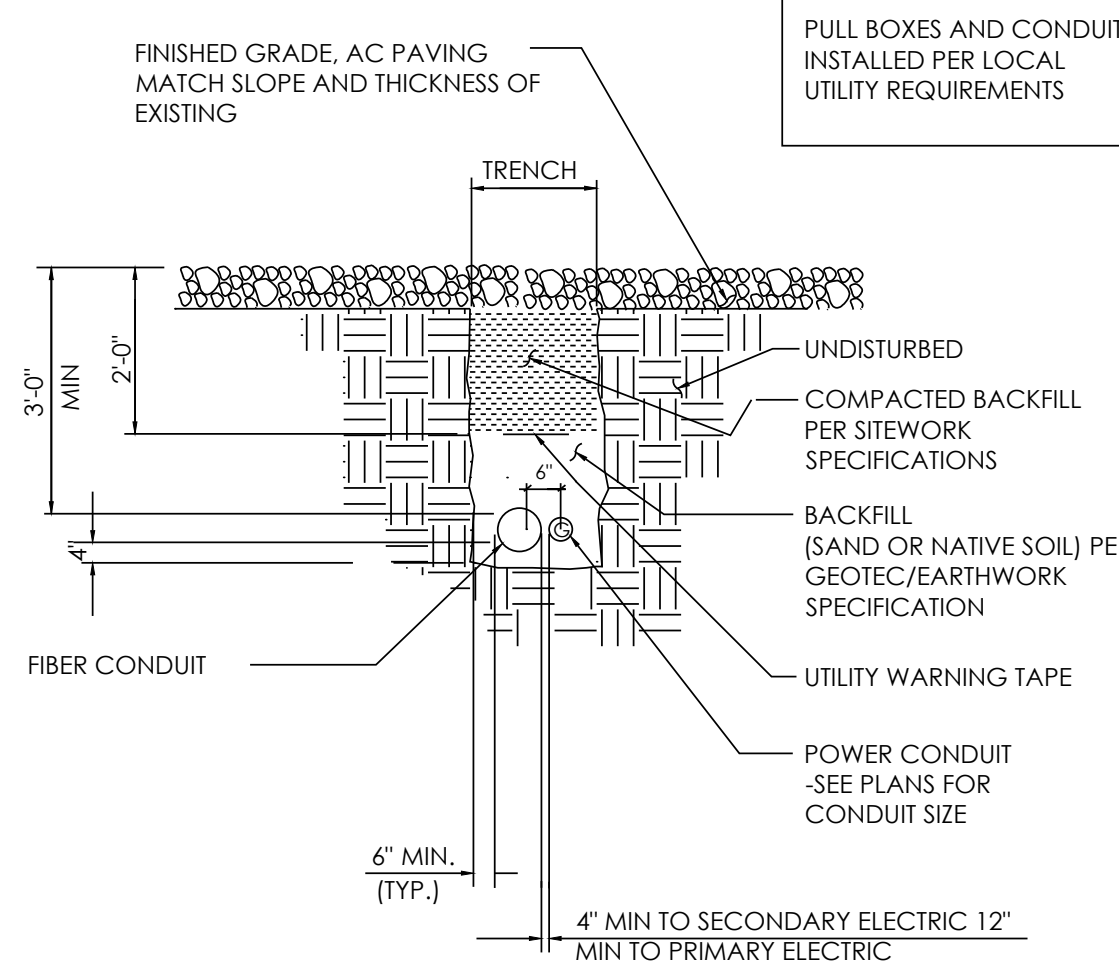
SHEET TITLE:
DETAILS

SHEET NUMBER:
A-5

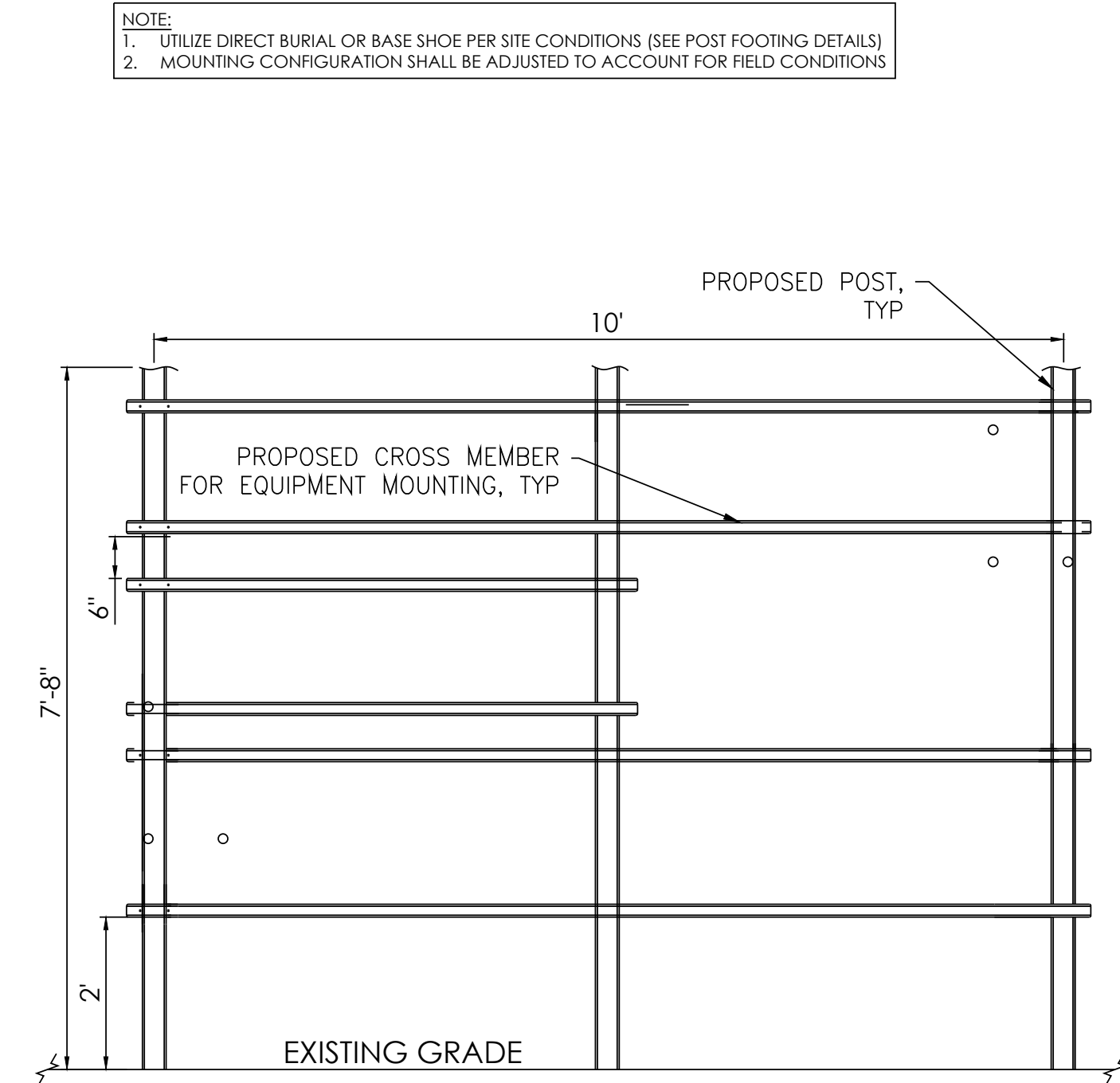
NOTE:
IF ANTENNAS HAVE ZERO MDT SPECIFIED IN
RFDS, FLUSH-MOUNT BRACKETS MUST BE USED.



5 ANTENNA MOUNTING
NOT TO SCALE

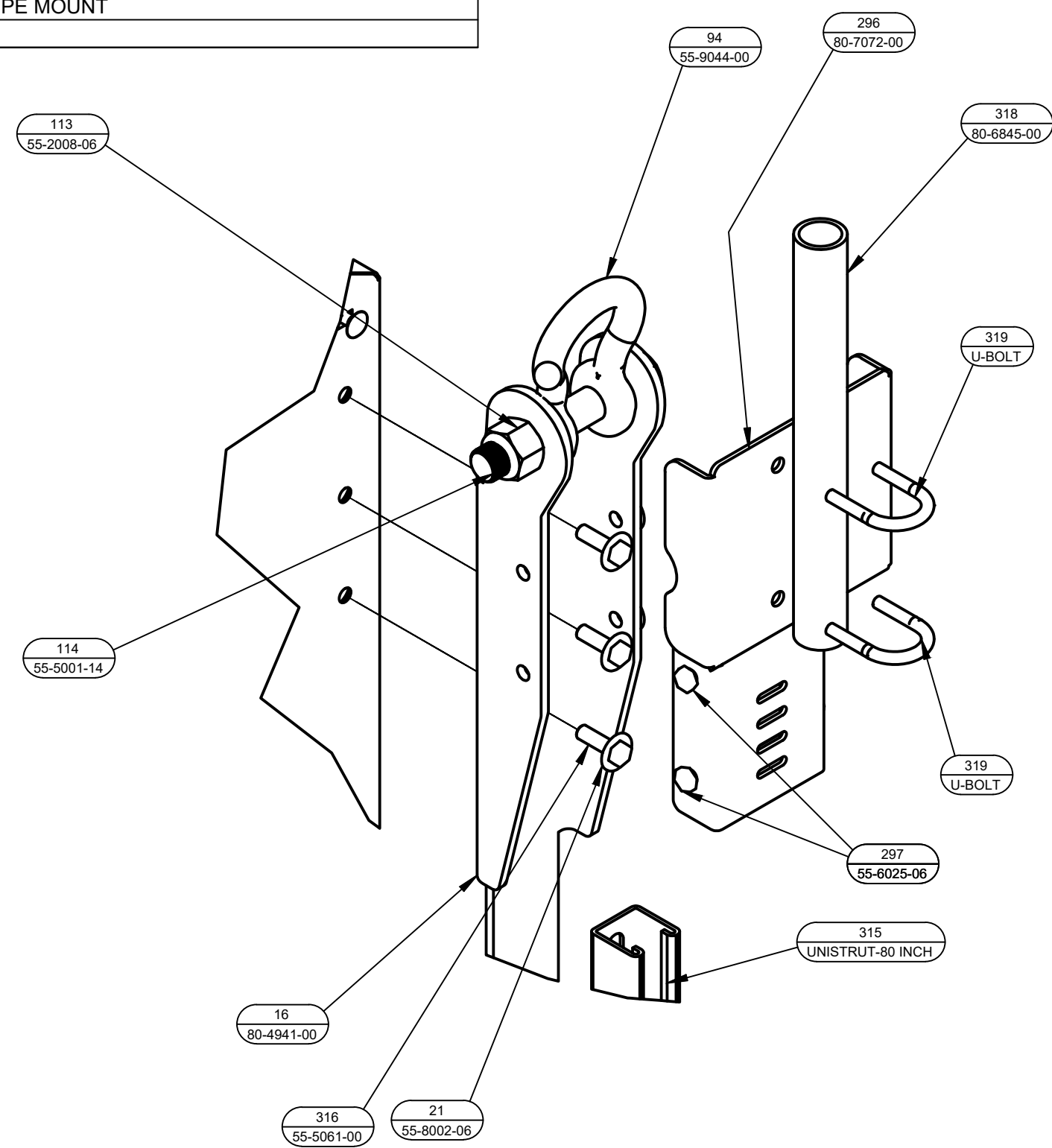


4 CONDUIT TRENCHING DETAIL
NOT TO SCALE

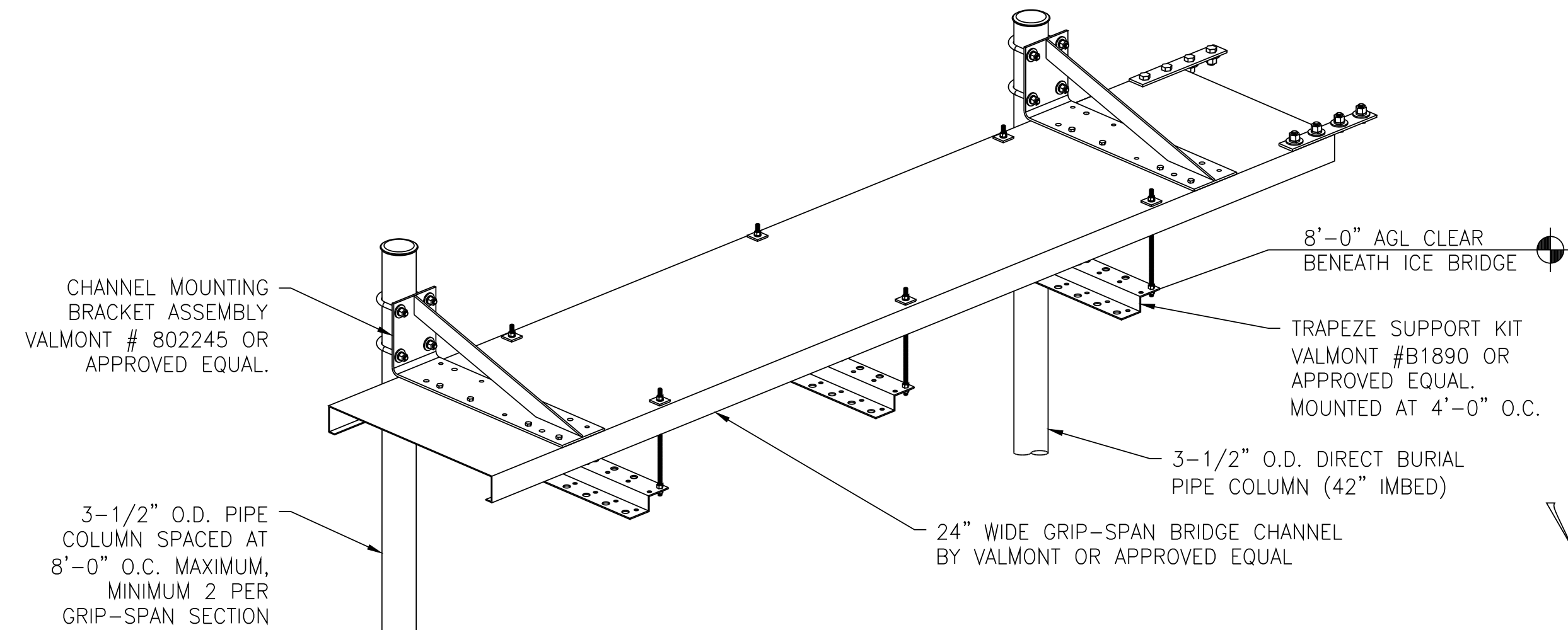


3 H-FRAME DETAIL
NOT TO SCALE

Parts List			
ITEM	QTY	PART NUMBER	DESCRIPTION
16	4	80-4941-00	LIFTING EYE
21	100	55-8002-06	Washer Flat SS 3/8
94	4	55-9044-00	ANCHOR SHACKLE
113	4	55-2008-06	7/8-14 ZN NYLOCK
114	4	55-5001-14	7/8-14 X 5.00 HHCS
296	4	80-7072-00	GPS MOUNT
297	4	55-6025-06	3/8-16 X 4.5 SS HHCS
315	4	80-7070-00	PAINTED UNISTRUT
316	32	55-5061-00	HHCS ZN 3/8-16 X 1 1/4
318	2	80-6845-00	GPS PIPE MOUNT
319	4	U-BOLT	



2 GPS MOUNTING DETAIL
NOT TO SCALE



1 ICE BRIDGE DETAIL
NOT TO SCALE

SITE TYPE: MONOPOLE/WIC

AT&T Site ID:
UTL03026
546 OGDEN CANYON
OGDEN, UT 84401

Tower Owner:
CROWN CASTLE
2055 SOUTH STEARMAN DRIVE
CHANDLER, AZ 85286

PREPARED FOR
at&t Mobility
161 Inverness Drive West 2nd floor
Englewood, Colorado 80112

A&E
TELCYTE
INFRASTRUCTURE SERVICES
3450 N. HIGLEY RD. BLDG. 2, SUITE 102
MESA, AZ 85215

AT&T SITE NO: UTL03026
BU NO: 5800296
DRAWN BY: JM
CHECKED BY: CM

REV	DATE	DESCRIPTION
A	11/21/19	PRELIMINARY CDs
B	3/10/20	CLIENT COMMENTS

Licensor:

IT IS A VIOLATION OF LAW FOR ANY
PERSON, UNLESS THEY ARE ACTING
UNDER THE DIRECTION OF A LICENSED
PROFESSIONAL ENGINEER, TO ALTER THIS
DOCUMENT.

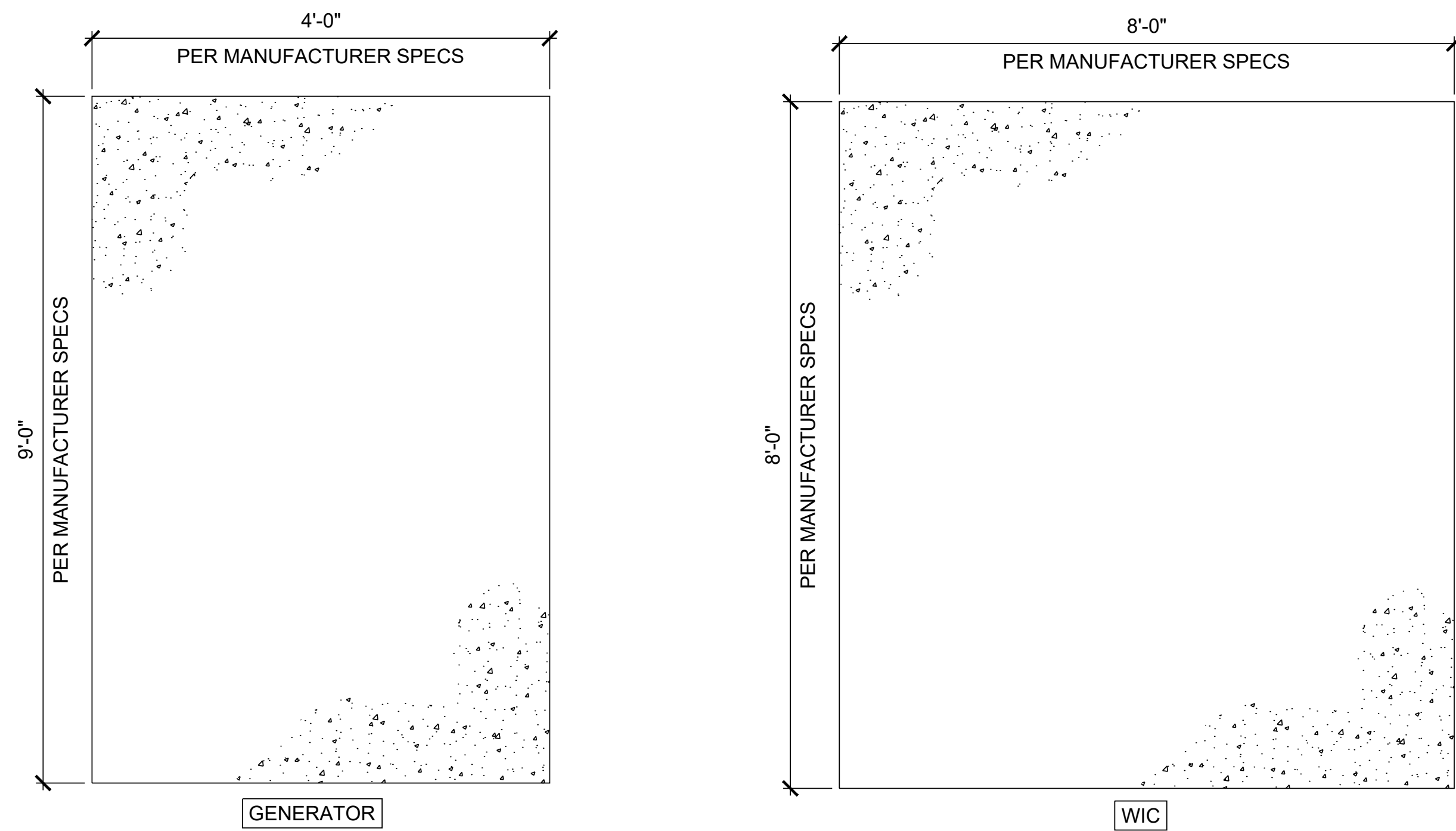
Issued For:
3/10/20
PRELIMINARY CDs

SHEET TITLE:
DETAILS

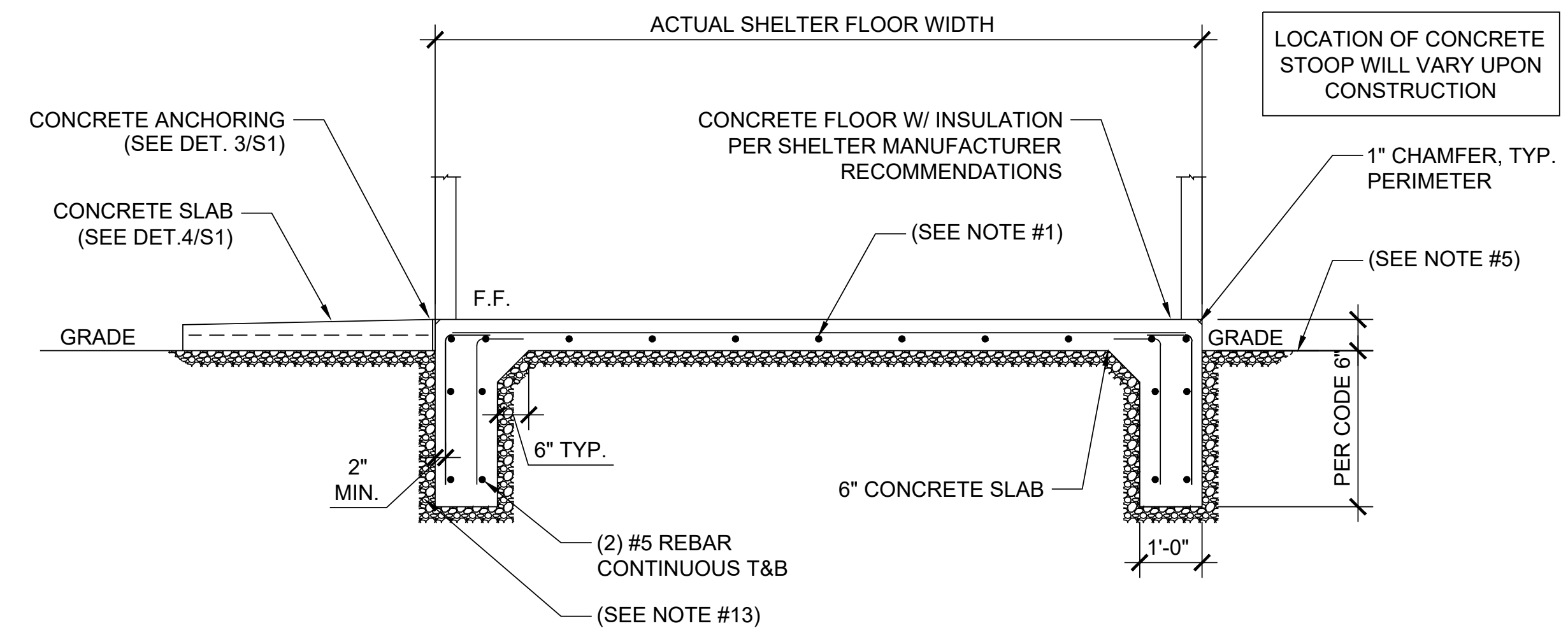
SHEET NUMBER:
A-5.1

NOTES:

1. ALL DIMENSIONS OF SHELTER SHALL MATCH MANUFACTURER PROVIDED SPECIFICATIONS
2. ALL REQUIRED TIE DOWN PLATES, SHIMS, BOLTS, AND ANCHORS SHALL BE PLACED INSIDE SHELTER PRIOR TO SHIPMENT FROM MANUFACTURER
3. SLOPE GRADE AWAY FROM FOUNDATION.
4. SLAB DIMENSIONS, ORIENTATION, AND LOCATION OF STOOP TO MATCH CABINET MODEL AND DETAILS
5. GENERATOR CONCRETE PAD SHALL MATCH DETAILS AND DIMENSIONS OF THE PROVIDED GENERAC MODEL



4 FOUNDATION DETAILS
NOT TO SCALE



REINFORCING BAR		
SIZE	GRADE	LAT/LONG SPACING
#4	60	18" O.C.

3 FOUNDATION SECTION DETAIL
NOT TO SCALE

AT&T Site ID:
UTL03026
546 OGDEN CANYON
OGDEN, UT 84401

Tower Owner:
 CROWN CASTLE
2055 SOUTH STEARMAN DRIVE
CHANDLER, AZ 85286

PREPARED FOR
 at&t Mobility
161 Inverness Drive West 2nd floor
Englewood, Colorado 80112

A&E:
 TELCYTE
INFRASTRUCTURE SERVICES
3450 N. HIGLEY RD. BLDG. 2, SUITE 102
MESA, AZ 85215

AT&T SITE NO: UTL03026
BU NO: 5800296
DRAWN BY: JM
CHECKED BY: CM

REV	DATE	DESCRIPTION
A	11/21/19	PRELIMINARY CDs
B	3/10/20	CLIENT COMMENTS

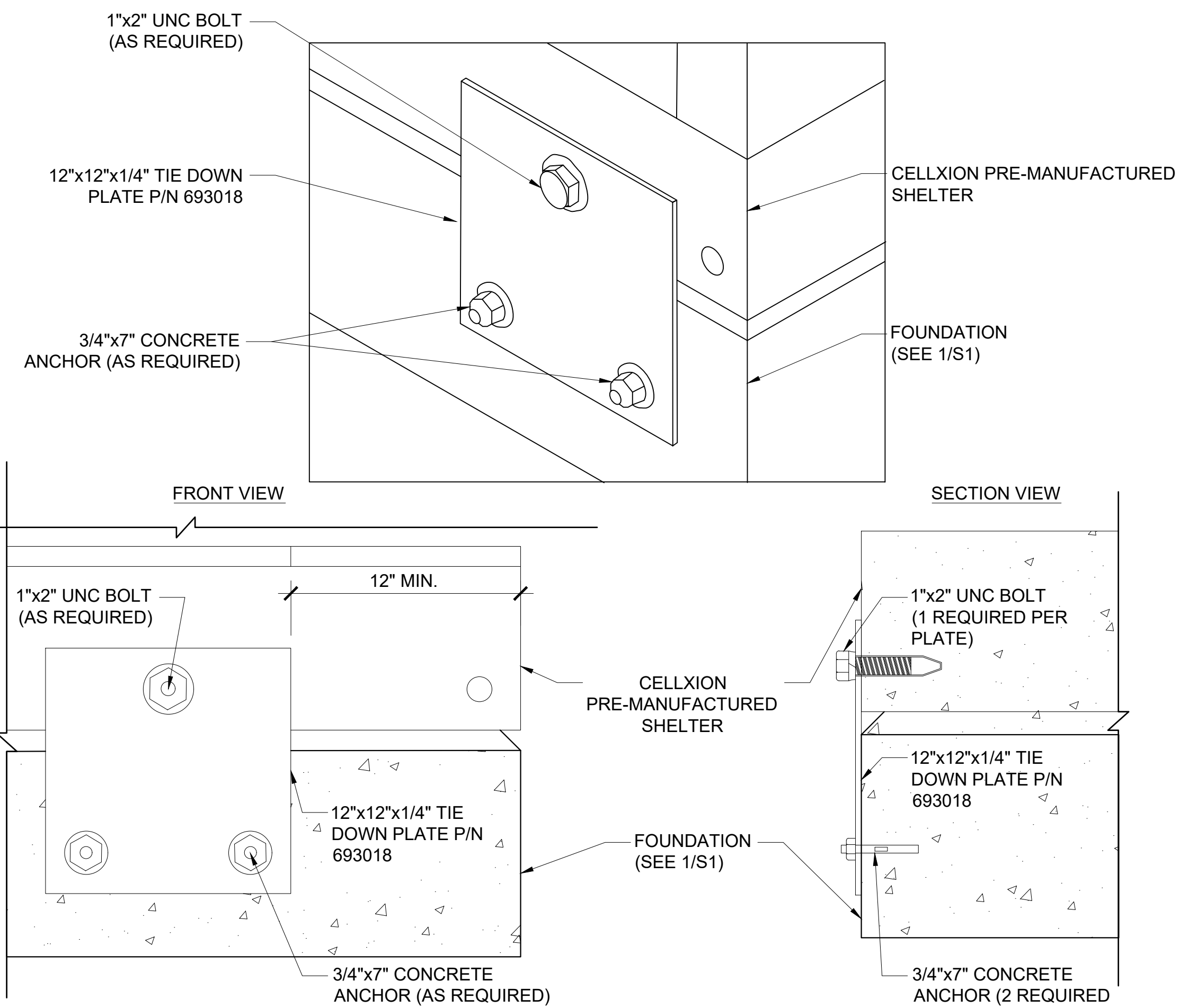
Licensor:

IT IS A VIOLATION OF LAW FOR ANY PERSON, UNLESS THEY ARE ACTING UNDER THE DIRECTION OF A LICENSED PROFESSIONAL ENGINEER, TO ALTER THIS DOCUMENT.

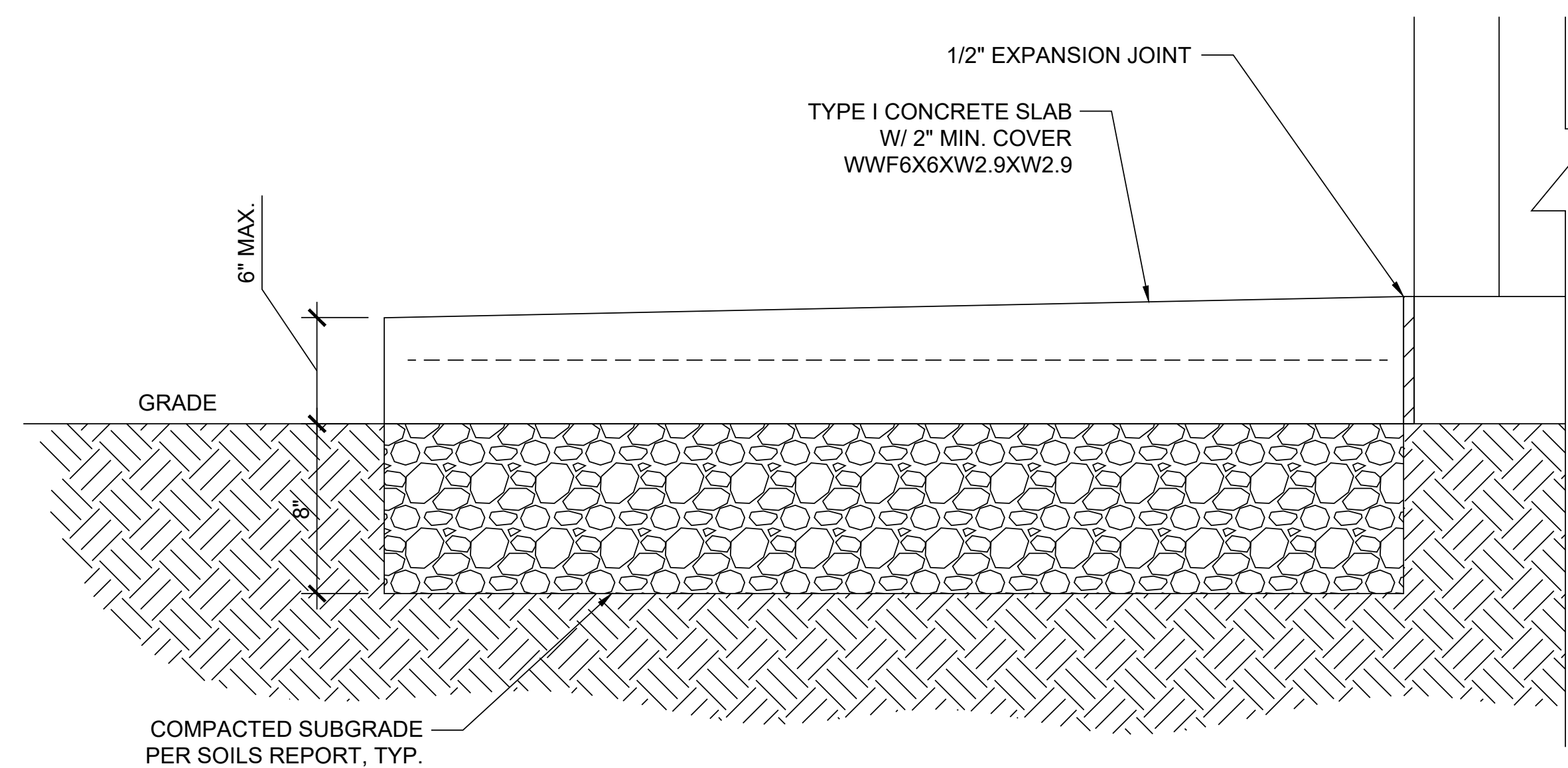
Issued For:
3/10/20
PRELIMINARY CDs

SHEET TITLE:
STRUCTURAL PLAN & DETAILS

SHEET NUMBER:
S-1



2 TIE-DOWN BRACKET DETAIL
NOT TO SCALE

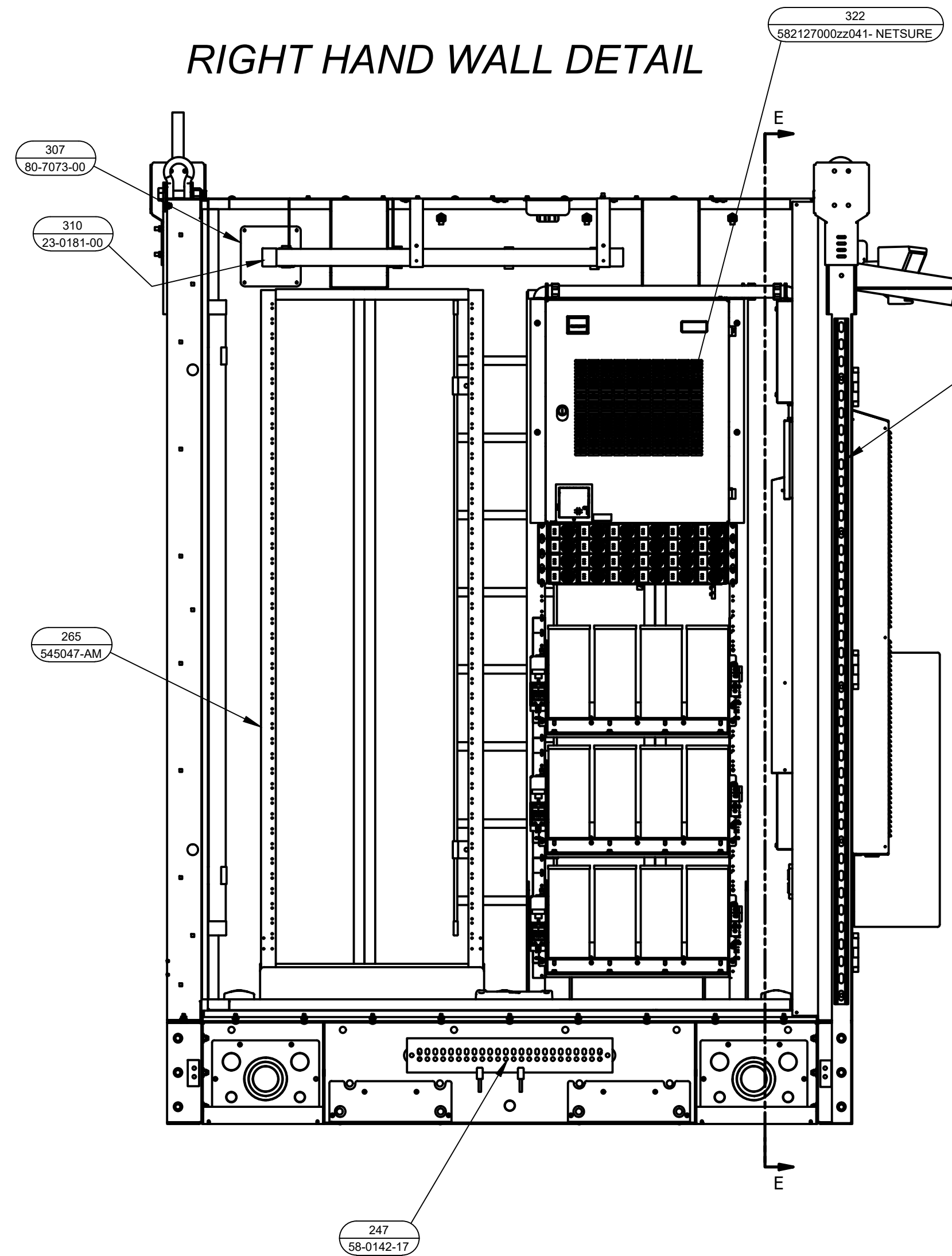


1 PROFILE VIEW OF CONCRETE STOOP
NOT TO SCALE

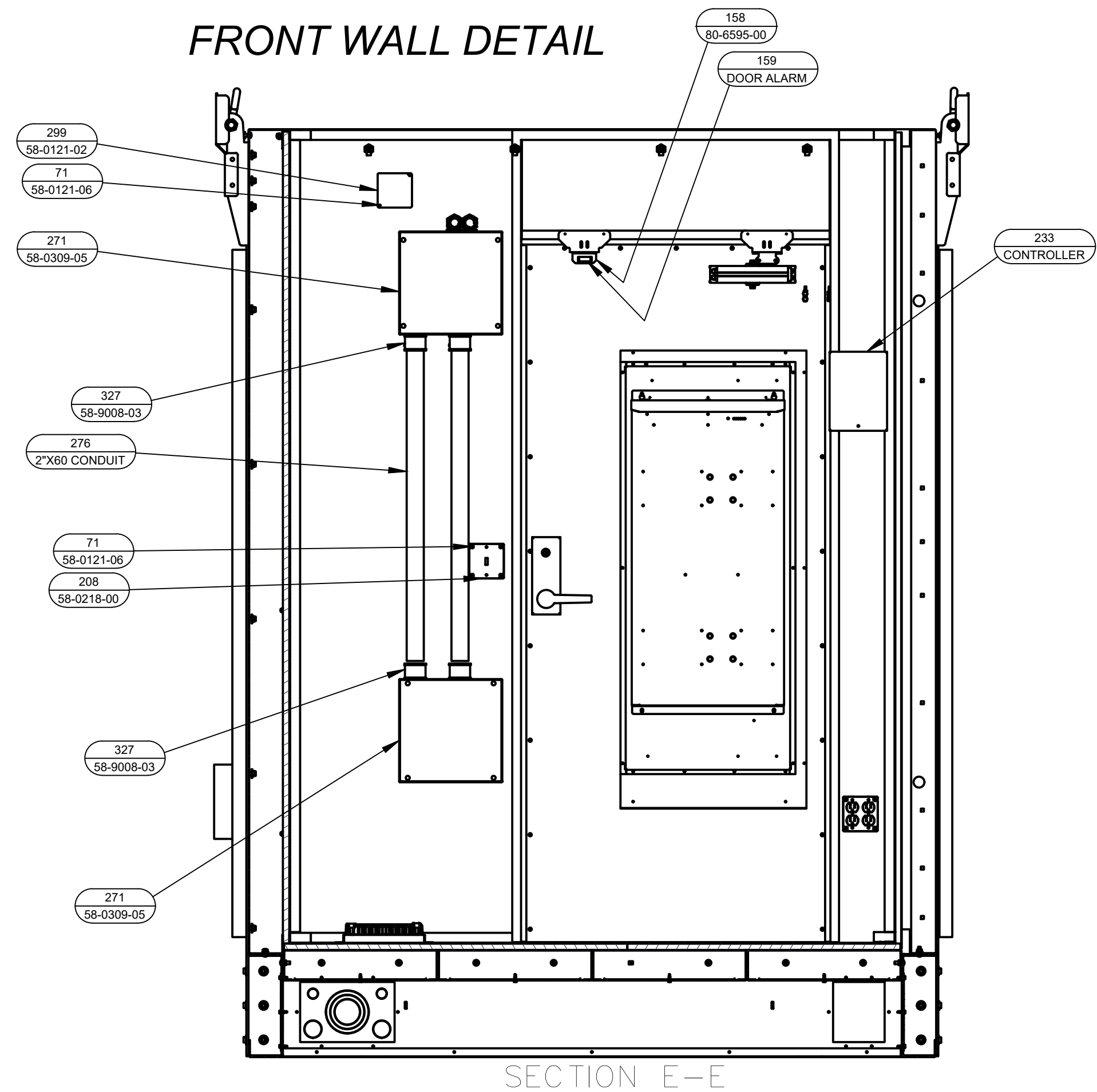
SITE TYPE: MONOPOLE/WIC

ITEM	QTY	PART NUMBER	Part's List	DESCRIPTION
1	1	50-2024-00		80x80 BASE
7	1	80-4919-00		SHELTER WALL PANEL
8	1	80-7228-00		SHELTER WALL PANEL
9	1	80-7223-00		SHELTER WALL PANEL
10	13	55-6010-02		CARRIAGE BOLT SS 5/16-18 X 1
11	181	55-2002-03		NUT HEX FLANGED SS 3/8
12	1	72-0624-00		LH SUB FLOOR
13	1	72-0625-00		RH SUB FLOOR
16	4	80-4941-00		LIFTING EYE
17	168	55-6010-03		CARRIAGE BOLT SS 5/16-18 X 3/4
18	9	55-2019-00		5/16-18 NUTSERT - SEALING
19	12	55-6006-06		3/8-16 x 1.25 SS HHCS
20	1	55-6006-10		3/8-16 x 1.00 SS HHCS
21	100	55-8002-06		Washer Flat SS 3/8
22	45	55-2000-03		NYLOCK NUT SS 3/8-16
24	1	72-0634-00		MELAMINE PANEL
25	1	72-0633-00		MELAMINE PANEL
28	1	72-0626-00		MELAMINE PANEL
32	1	TILE FLOOR-ATT		TILE FLOOR
39	4	55-8001-00		Washer Split Ring SS 1/4
45	2	80-7232-00		CEILING PANEL
46	1	80-7235-00		SHELTER CEILING PANEL
47	6	55-2033-00		NUTSERT AHS4-420-165
48	1	50-1809-00		80x80 ROOF ASSY
52	1	30-0013-02		LADDER RACK HORIZONTAL TEE
59	8	58-0049-05		LADDER RACK BRK
61	5	80-4879-00		AS BOX, DBL GANG, 2, 118" DEEP WIDIMPLE
71	5	58-0121-06		SHELTER CEILING PANEL
76	1	80-7236-00		4 LED LIGHT ASSY
79	4	556731-LIGHT		TRIM-1
86	7	TRIM-1		TRIM-2
87	8	80-4914-00		SHELTER CORNER TRIM
88	12	TRIM-3		TRIM-4
89	4	TRIM-4		ANCHOR SHACKLE
94	4	55-8044-00		36" THRESHOLD
98	1	80-7240-00		AWNING - SHELTER
105	8	55-6009-01		SCREW TEK SS #12 X 3/4
113	4	55-2008-06		7/8-14 ZN NYLOCK
114	4	55-5001-14		7/8-14 X 5.00 HHCS
120	1	72-0304-01		MELAMINE PANEL
125	1	55-8001-09		Washer Split Ring SS 3/8
132	1	58-0142-11		25 X 2 X 14 GRD BAR
158	1	80-6595-00		DOOR ALARM BRKT
159	1	DOOR ALARM		DOOR ALARM
179	1	TRIM-16.725		TRIM-16.725
203	1	80-7233-00		SHELTER CEILING PANEL
204	1	80-7234-00		SHELTER CEILING PANEL
208	1	58-0218-00		LIGHT SWITCH COVER 4" SQ
209	1	80-7222-00		SHELTER WALL CORNER
211	1	80-7225-00		WALL CORNER
212	1	80-7224-00		SHELTER WALL PANEL
213	4	80-7226-00		CORNER SUPPORT
214	1	80-7227-00		WALL CORNER
217	1	80-7230-00		TOP DOOR SEAL CHNL
218	2	80-6841-00		SIDE DOOR SEAL CHNL
219	32	12-24_CAGE_NUT		12-24 CAGE NUT
220	20	55-5104-00		SCREW FHPP SS 12-24 X 1"
221	2	58-0191-14		COMP LUG 10AWG, 2 HOLE, 10 STUD, 5/8 CTR
222	4	55-6006-03		Screw HHCS SS 1/4-20 x 3/4
223	1	72-0627-00		MELAMINE HDR PANEL
224	1	72-0628-00		MELAMINE PANEL
225	1	72-0629-00		MELAMINE PANEL
226	2	72-0630-00		MELAMINE PANEL
228	4	55-2036-00		AHS4-616-150BS NUTSERT
229	1	72-0631-00		TELCO BOARD-WHITE
233	1	CONTROLLER		CONTROLLER
236	1	58-9058-00		FOLD DOWN DESK
237	1	ECUA12ACA-AC		SLIMPAC 1
238	1	50-2017-00		36" DOOR FRAME
240	4	80-7237-00		A/C WALL SUPPORT
241	2	80-7238-00		A/C WALL SUPPORT
242	2	80-7239-00		A/C WALL SUPPORT
243	26	53-0012-00		RIVET POP SS/SS .187 X .126-.250 CE
244	1	50-2019-00		36" DOOR ASSEMBLY
245	1	80685		SUPPLY GRILL
246	1	80680		RETURN GRILL
247	2	58-0142-17		ROSENBERGER GRB-ATTG042PUNI
253	1	58-0122-04		1/2" RAISED GFCI COVER 4" SQ
254	2	58-0224-07		20A RECEPT
265	2	545047-AM		545047-AM
267	5	80-7217-00		ROXTEC MNT PLATE
268	2	72-0632-00		MELAMINE PANEL
269	1	234962-LOUVER		FRAME TOP & BOTTOM
271	2	58-0309-05		12X12X4 FULL BOX
276	2	2"X60 CONDUIT		2" EMT
277	1	EXT WALL LOUVER		EXT WALL LOUVER
278	1	HVAC CONTROL BOX		HVAC CONTROL BOX
280	2	58-0058-02		EXT. LED MOTION LIGHT
281	12	25-0005-00		HALO STANDOFF CLAMPS - 1"
282	1	GROUND LOOP		GROUND LOOP
288	4	58-0057-02		1" inch 90 degree liquidtight non-metallic fitting
289	1	1X3 CARFLEX		1X3 CARFLEX
290	1	1X26 CARFLEX		1X26 CARFLEX
293	2	INT-EXT GRD CABLE		INT-EXT GRD CABLE
296	4	80-7072-00		GPS MOUNT
297	4	55-6025-06		3/8-16 X 4.5 SS HHCS
298	4	55-2002-07		Nut Hex SS 3/8-16
299	3	58-0121-02		COVER F14" SQ BOX
302	2	58-0284-04		ROXTEC EZENTRY 4/4
306	1	72-0635-00		MELAMINE PANEL
307	2	80-7073-00		COVER PLATE
310	2	23-0181-00		FLEXIBLE PLASTIC PLUG 1-1/2"
313	1	ALARM BLOCK-ATT		ALARM BLOCK-ATT
314	3	80-7075-00		RACK BRACE
315	4	80-7070-00		PAINTED UNISTRUT
316	32	55-5061-00		HHCS ZN 3/8-16 X 1 1/4
318	2	80-6845-00		GPS PIPE MOUNT
319	4	U-BOLT		U-BOLT
320	4	58-0049-32		AUX CABLE RACK BRKT
321	1	SMOKE DETECTOR		SMOKE DETECTOR
322	1	58212700z041- NETSURE		2" x 7" PIPE NIPPLE
326	1	55-9304-03		2" EMT BOX CONNECTOR
327	4	58-9008-03		2" LOCK RING
328	2	58-0271-02		2" PLASTIC PIPE BUSHING
329	2	55-9383-01		1/2-13 X 2.5 SS HHCS
335	9	55-6006-34		50 SS LOCK WASHER
337	9	55-8001-12		1/2" ID X 2" OD SS WASHER
338	1	58-0309-04		SCE-24HEL2408LBP
340	7	58-0191-09		COMP LUG #2, 2 HOLE STRNDGD, 2 HOLE SHRT
341	5	58-0284-03		ROXTEC EZENTRY 16/16
343	2	80-7038-00		SIDE AC SEAL
344	1	80-7039-00		TOP AC SEAL
345	1	LOAD CENTER		LOAD CENTER
346	2	80-7035-00		LIGHT MNT PLATE
347	1	80-7036-00		WALL SLEEVE
348	2	58-0027-00		RECEPTACLE BOX GFCI W/MOUNTING EARS
349	16	55-2033-01		1/4-20 NUTSERT - CLOSED END
350	16	90-0017-00		1/4-20 X 1.00 SS SECURITY BOLT
351	16	55-9212-00		1/4" SEALING WASHER
352	24	58-0049-44		2" CABLE RACK END CAPS
353	16	58-0049-45		WALL BRKT F/2" CABLE RACK
354	4	58-0049-46		LADDER RACK 2" X 57/64" SOLID
355	2	58-0049-47		LADDER RACK 2" X 47/64" SOLID
356	1	58-0049-48		LADDER RACK 2" X 25" SOLID

RIGHT HAND WALL DETAIL

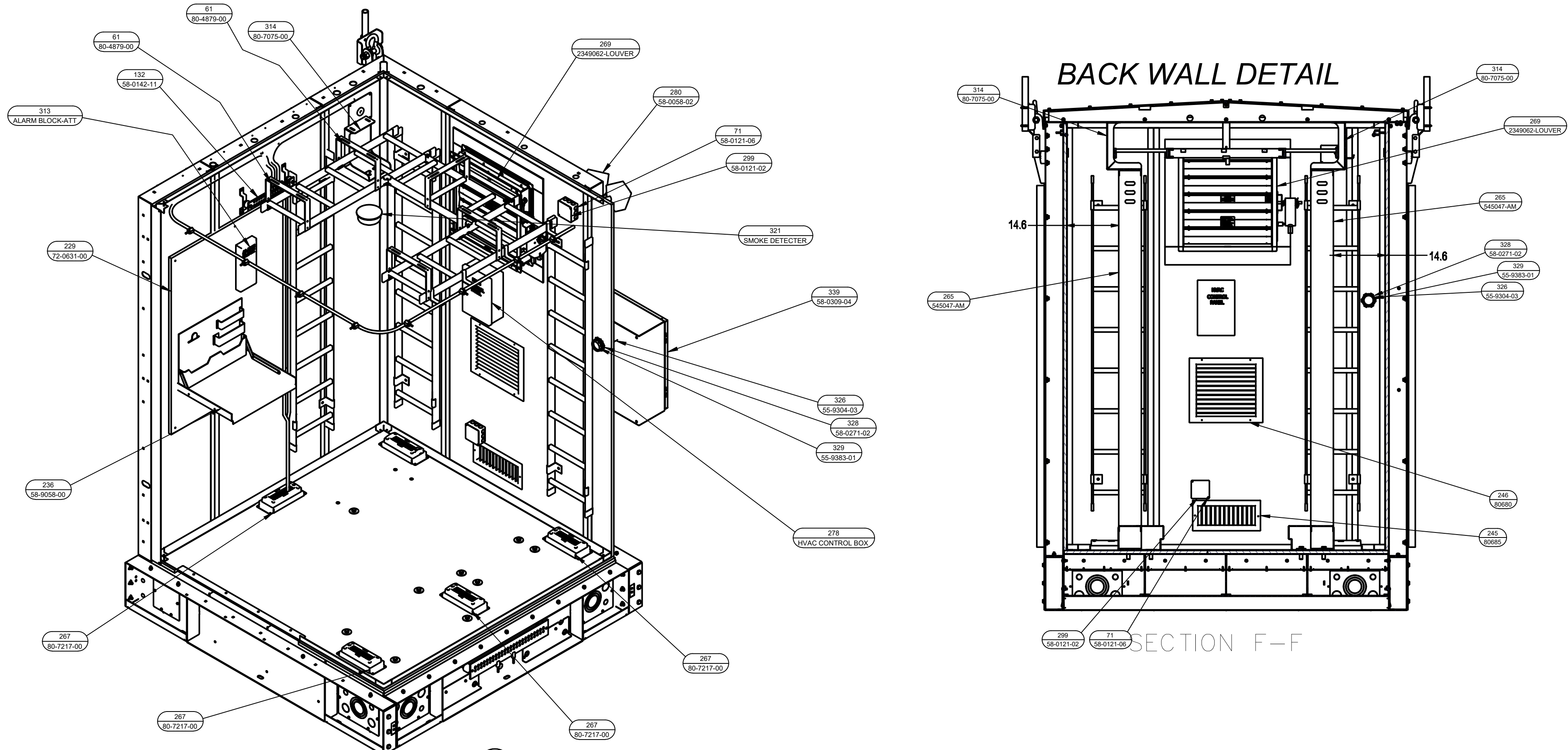


FRONT WALL DETAIL



SECTION E-E

BACK WALL DETAIL



SECTION F-F

1 WIC DETAILS
NOT TO SCALE

SITE TYPE: MONOPOLE/WIC

AT&T Site ID:
UTL03026
546 OGDEN CANYON
OGDEN, UT 84401

Tower Owner:
CROWN CASTLE
2055 SOUTH STEARMAN DRIVE
CHANDLER, AZ 85286

PREPARED FOR
at&t Mobility
161 Inverness Drive West 2nd floor
Englewood, Colorado 80112

A&E:
TELCYTE
INFRASTRUCTURE SERVICES
3450 N. HIGLEY RD. BLDG. 2, SUITE 102
MESA, AZ 85215

AT&T SITE NO: UTL03026

BU NO: 5800296

DRAWN BY: JM

CHECKED BY: CM

REV	DATE	DESCRIPTION
A	11/21/19	PRELIMINARY CDs
B	3/10/20	CLIENT COMMENTS

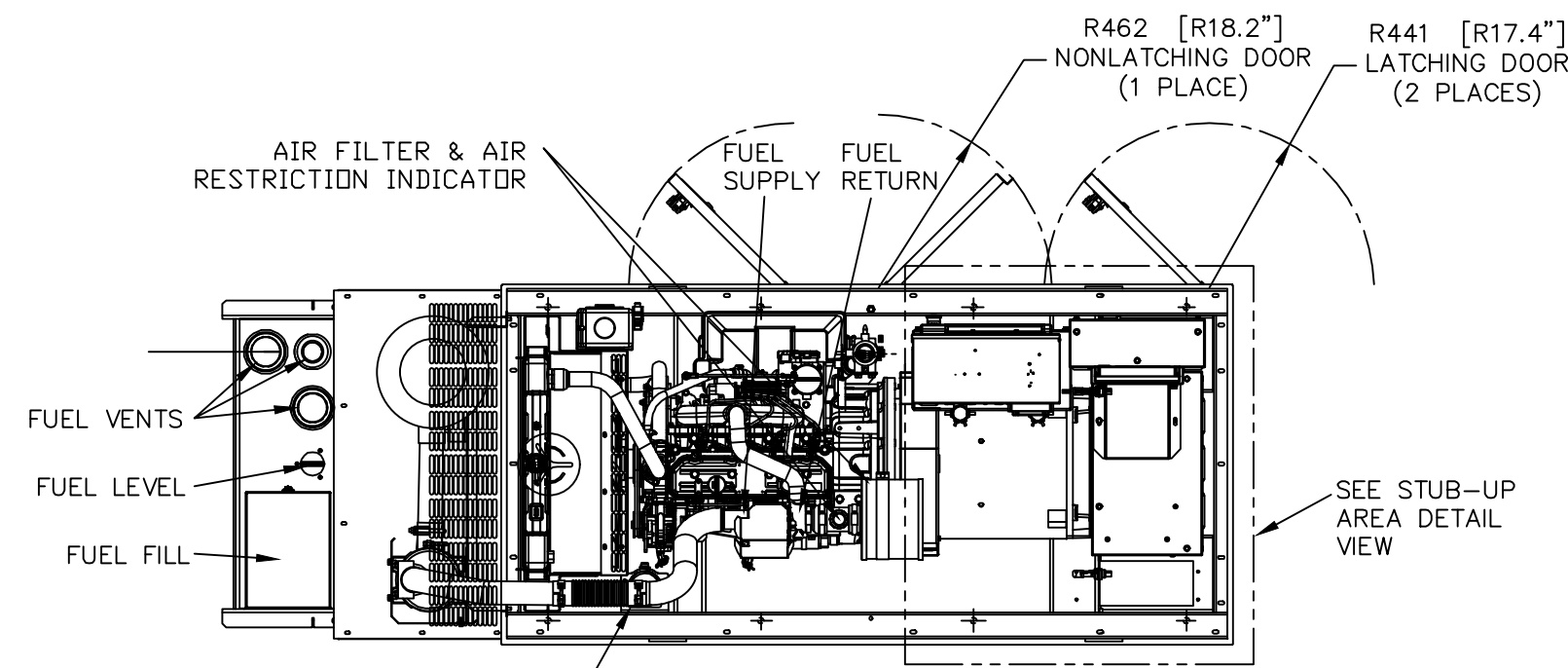
Licensor:
3/10/20
PRELIMINARY CDs
IT IS A VIOLATION OF LAW FOR ANY PERSON, UNLESS THEY ARE ACTING UNDER THE DIRECTION OF A LICENSED PROFESSIONAL ENGINEER, TO ALTER THIS DOCUMENT.

Issued For:
3/10/20
PRELIMINARY CDs

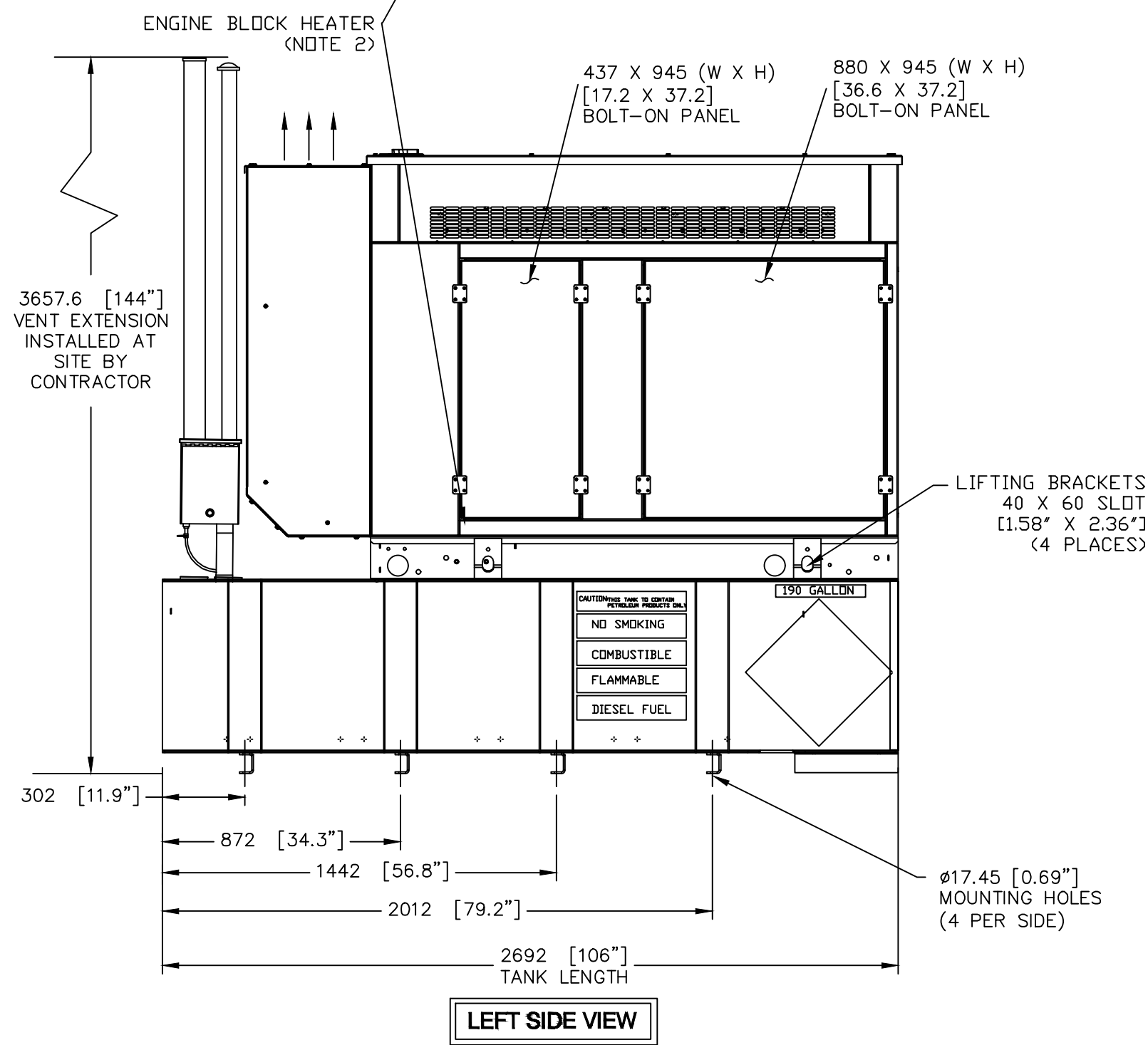
SHEET TITLE:
WIC DETAILS

SHEET NUMBER:
S-2

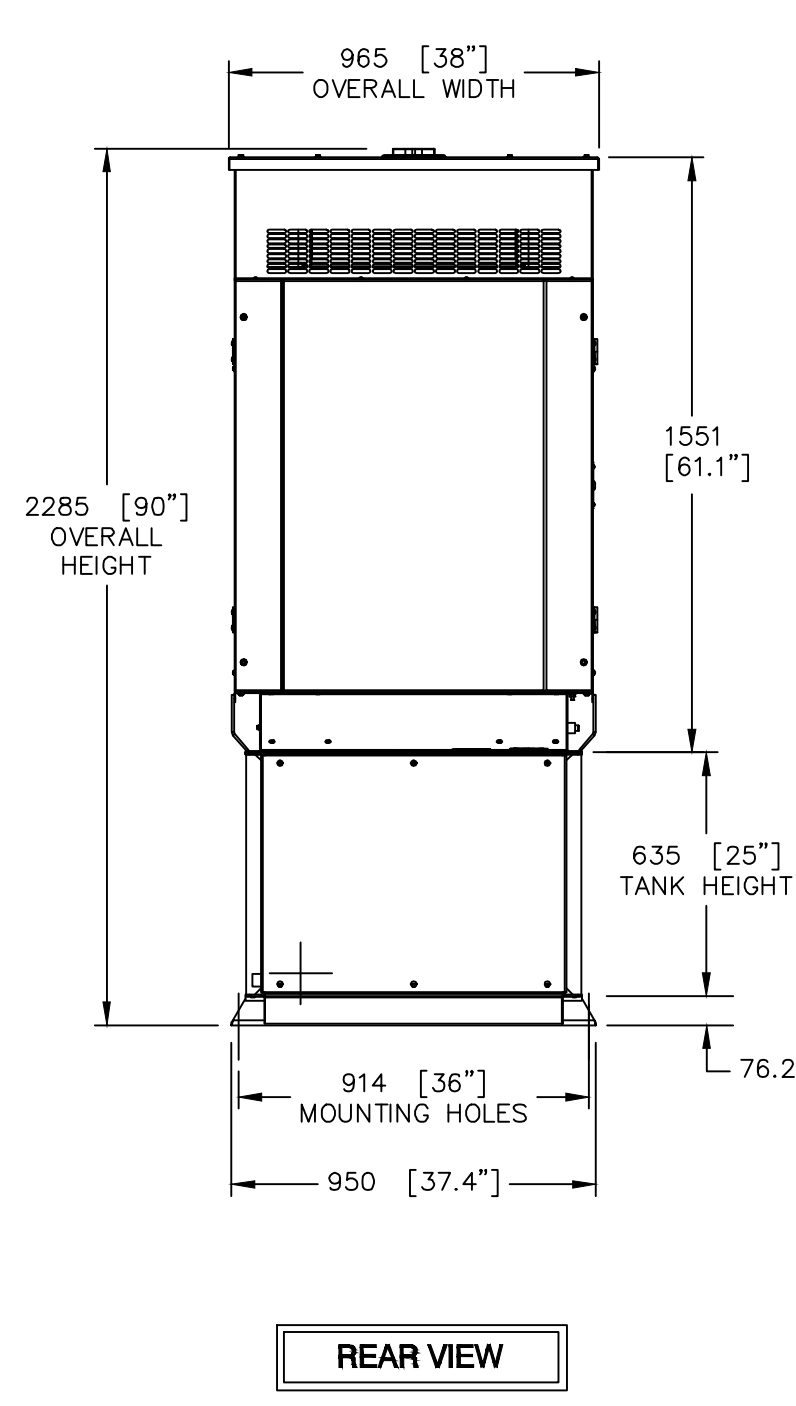
OJ7500D-ATT



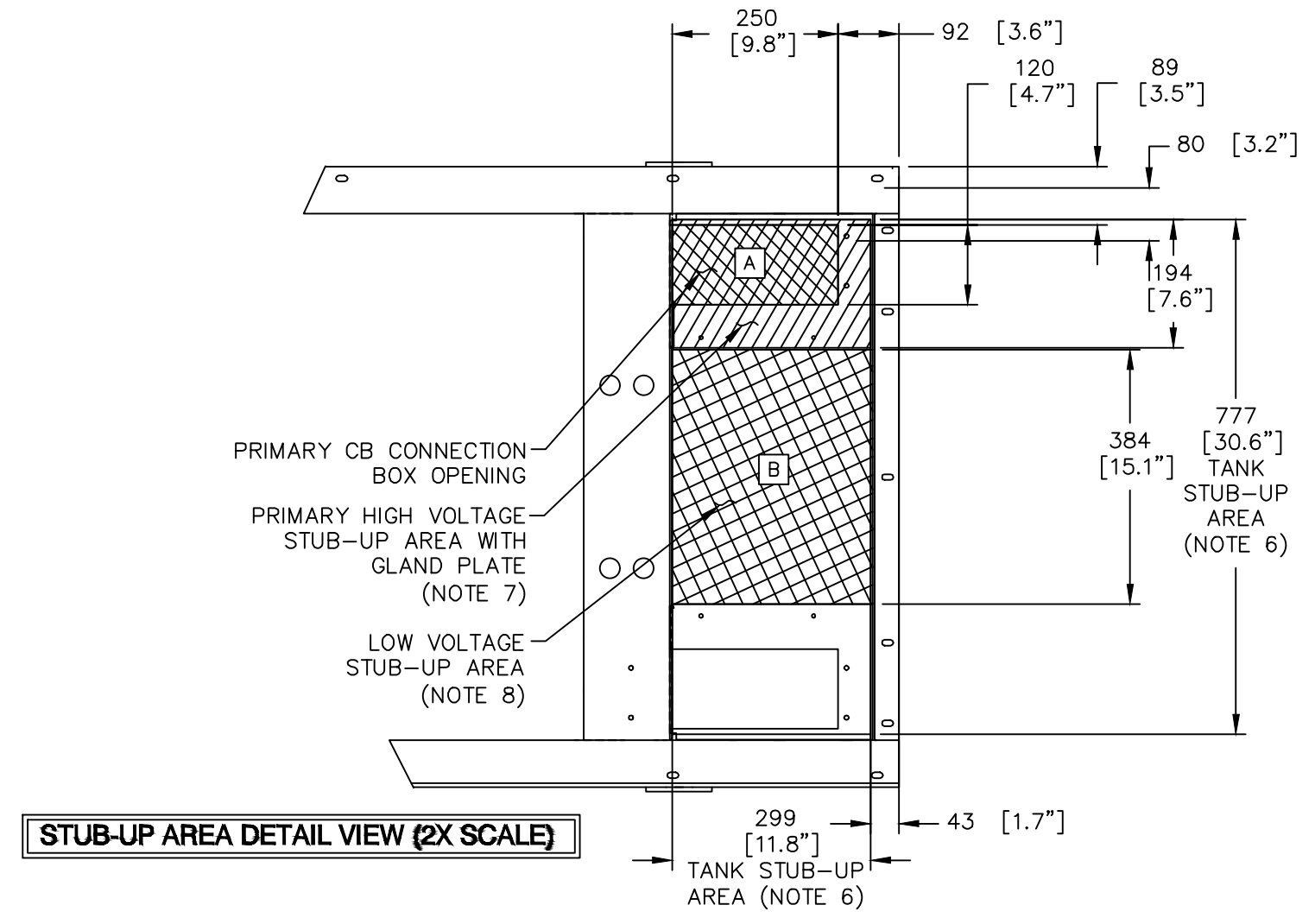
TOP VIEW



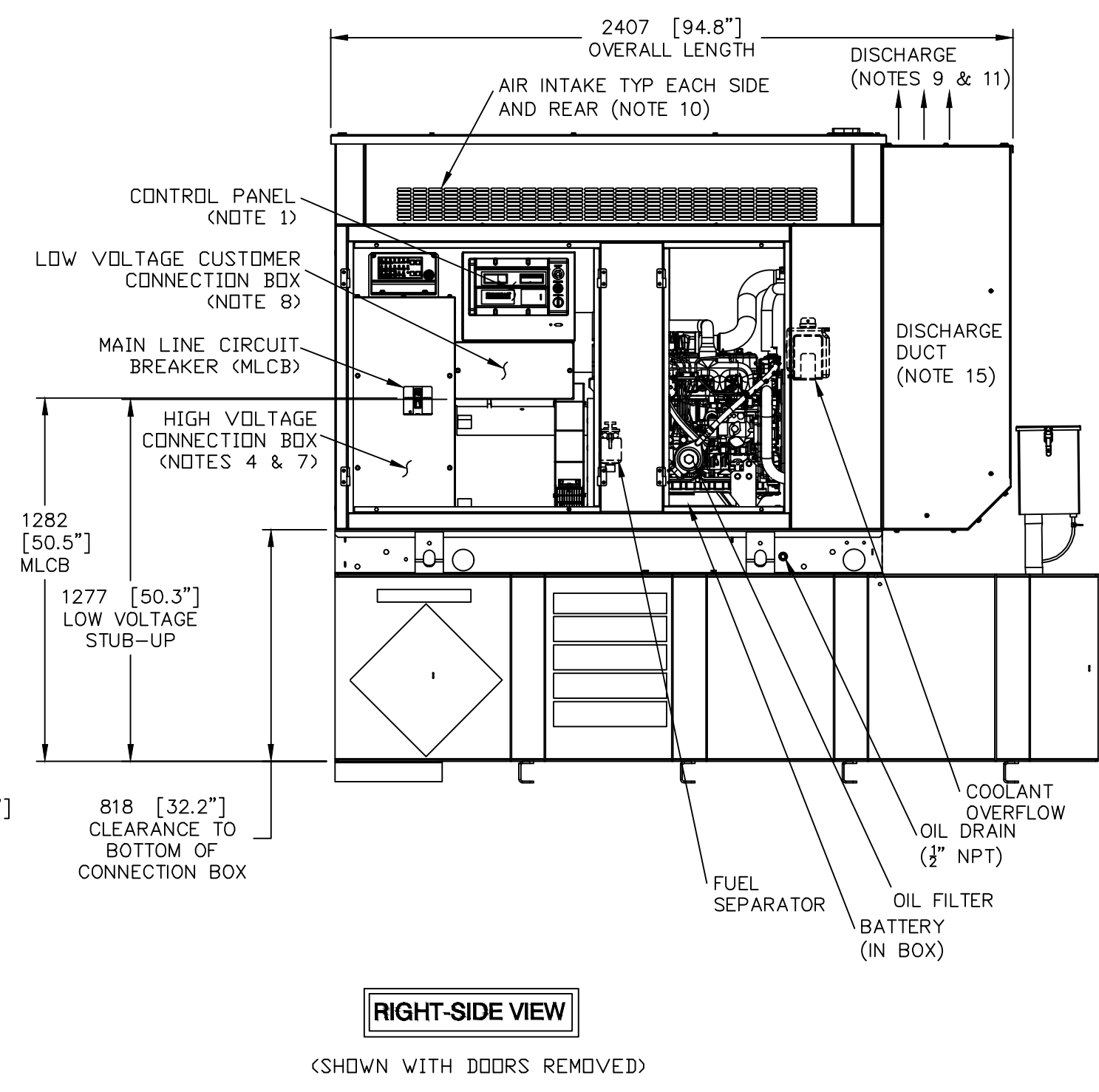
LEFT SIDE VIEW



REAR VIEW



STUB-UP AREA DETAIL VIEW (2X SCALE)



RIGHT-SIDE VIEW
(SHOWN WITH DOORS REMOVED)

RECOMMENDED ELECTRICAL STUB-UPS
(SEE DETAILED VIEW & TOP VIEW)

DESCRIPTION	INSIDE BASE
HIGH VOLTAGE STUB-UP AREA 1) AC LOAD LEAD CONDUIT AREA. 2) 120/240 VAC FROM UTILITY (BY OTHERS) (GLAND PLATE INCLUDED)	[A]
LOW VOLTAGE STUB-UP AREA 1) TRANSFER SWITCH/ COMMUNICATION CONDUITS, COMMUNICATIONS AND 2-WIRE START MUST NOT BE RUN IN CONDUIT WITH AC WIRING. (SEE NOTE 8)	[B]

NOTES:

- CONTROL PANEL INCLUDES BATTERY CHARGER WITH THREE PRONG CORD.
- 1500W 120VAC ENGINE BLOCK HEATER WITH THREE PRONG CORD.
- 12 VOLT NEGATIVE GROUND SYSTEM.
- GENERATOR MUST BE GROUNDED.
- CENTER OF GRAVITY & WEIGHT MAY SHIFT SLIGHTLY DUE TO UNIT OPTIONS.
- STUB-UPS: BASE TANK REQUIRES ALL STUB-UPS TO BE IN THE REAR TANK STUB-UP AREA.
- HIGH VOLTAGE STUB-UP AREA INCLUDES THE AC LOAD LEAD CONNECTION TO THE MAIN LINE CIRCUIT BREAKER, THE NEUTRAL CONNECTION, AND AUXILIARY 120/240V CONNECTION.
- CONNECTION POINTS FOR CONTROL WIRES. BOTTOM OF LOW VOLTAGE CUSTOMER CONNECTION BOX HAS KNOCKOUTS FOR 1/2" AND 3/4" CONDUIT FITTINGS.
- MUST ALLOW FREE FLOW OF DISCHARGE AIR AND EXHAUST. SEE SPEC SHEET FOR MINIMUM AIR FLOW AND MAXIMUM RESTRICTION REQUIREMENTS.
- MUST ALLOW FREE FLOW OF INTAKE AIR. SEE SPEC SHEET FOR MINIMUM AIR FLOW AND MAXIMUM RESTRICTION REQUIREMENTS.
- GENERATOR MUST BE INSTALLED SUCH THAT FRESH COOLING AIR IS AVAILABLE AND THAT DISCHARGE AIR FROM THE RADIATOR IS NOT RECIRCULATED.
- IT IS THE RESPONSIBILITY OF THE INSTALLATION TECHNICIAN TO ENSURE THAT THE GENERATOR INSTALLATION COMPLIES WITH ALL APPLICABLE CODES, STANDARDS, AND REGULATIONS.
- 190 GALLON USEABLE CAPACITY BASETANK IS INCLUDED WITH GENERATOR.
- UNIT IS SHIPPED WITH FUEL SUPPLY AND RETURN LINES DISCONNECTED AND PLUGGED BETWEEN ENGINE AND FUEL TANK. THIS HAS BEEN DONE TO FACILITATE PRESSURE TESTING OF THE TANK IN THE FIELD. FOR INFORMATION REGARDING CONNECTING THE FUEL SUPPLY AND RETURN LINES PRIOR TO START UP, SEE THE FUEL TANK FIELD TESTING PROCEDURE (0E5082) SUPPLIED IN THE TANK LOOSE VENTS KIT, WHICH IS SHIPPED WITH THIS GENERATOR.
- SEE DRAWING 0C3850 FOR DISCHARGE DUCT REMOVAL. REMOVAL OF DUCT WILL PROVIDE ACCESS TO MUFFLER FOR SERVICING.

WEIGHT DATA: (INCLUDES EMPTY FUEL TANK)
 GENERATOR: 1409 KG (3106 LBS)
 GENERATOR WITH WOODEN SHIPPING SKID: 1474 KG (3250 LBS)

UNITS: mm [INCHES]

GENERAC POWER SYSTEMS OWNS THE COPYRIGHT OF THIS DRAWING WHICH IS SUPPLIED IN CONFIDENCE AND MUST NOT BE USED FOR ANY PURPOSE OTHER THAN FOR WHICH IT IS SUPPLIED WITHOUT THE EXPRESS WRITTEN CONSENT OF GENERAC POWER SYSTEMS.
 © GENERAC POWER SYSTEMS 2001

INSTALL SD030
 DIESEL 2.4L G16

L2A Y02 SSM

190 GAL EXT VNT/FILL BASETANK

GENERAC POWER SYSTEMS
 Waukesha
 P.O. BOX 8
 WAUKESHA, WIS. 53187

FILE NAME	SIZE
SCALE	FIRST USE CALIFORNIA
DWG NO.	REV
OJ7500D	A

INSTALLATION DRAWING

AT&T Site ID:
 UTL03026
 546 OGDEN CANYON
 OGDEN, UT 84401

Tower Owner:

 2055 SOUTH STEARMAN DRIVE
 CHANDLER, AZ 85286

PREPARED FOR

 161 Inverness Drive West 2nd floor
 Englewood, Colorado 80112

A&E:

 3450 N. HIGLEY RD. BLDG. 2, SUITE 102
 MESA, AZ 85215

AT&T SITE NO: UTL03026
 BU NO: 5800296
 DRAWN BY: JM
 CHECKED BY: CM

REV	DATE	DESCRIPTION
A	11/21/19	PRELIMINARY CDs
B	3/10/20	CLIENT COMMENTS

Licensor:
 IT IS A VIOLATION OF LAW FOR ANY PERSON, UNLESS THEY ARE ACTING UNDER THE DIRECTION OF A LICENSED PROFESSIONAL ENGINEER, TO ALTER THIS DOCUMENT.

Issued For:
 3/10/20
 PRELIMINARY CDs

SHEET TITLE:
 GENERATOR DETAILS

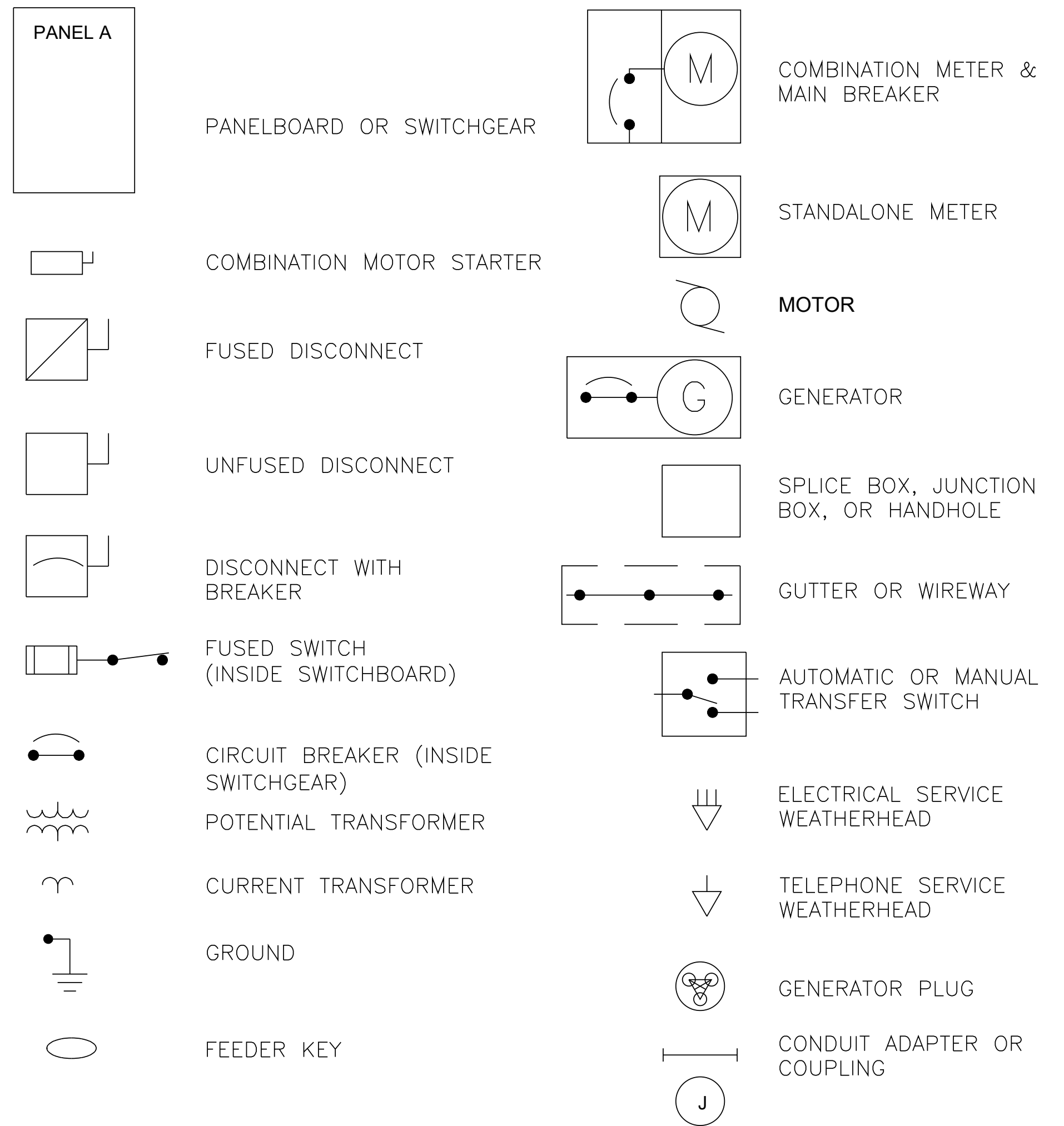
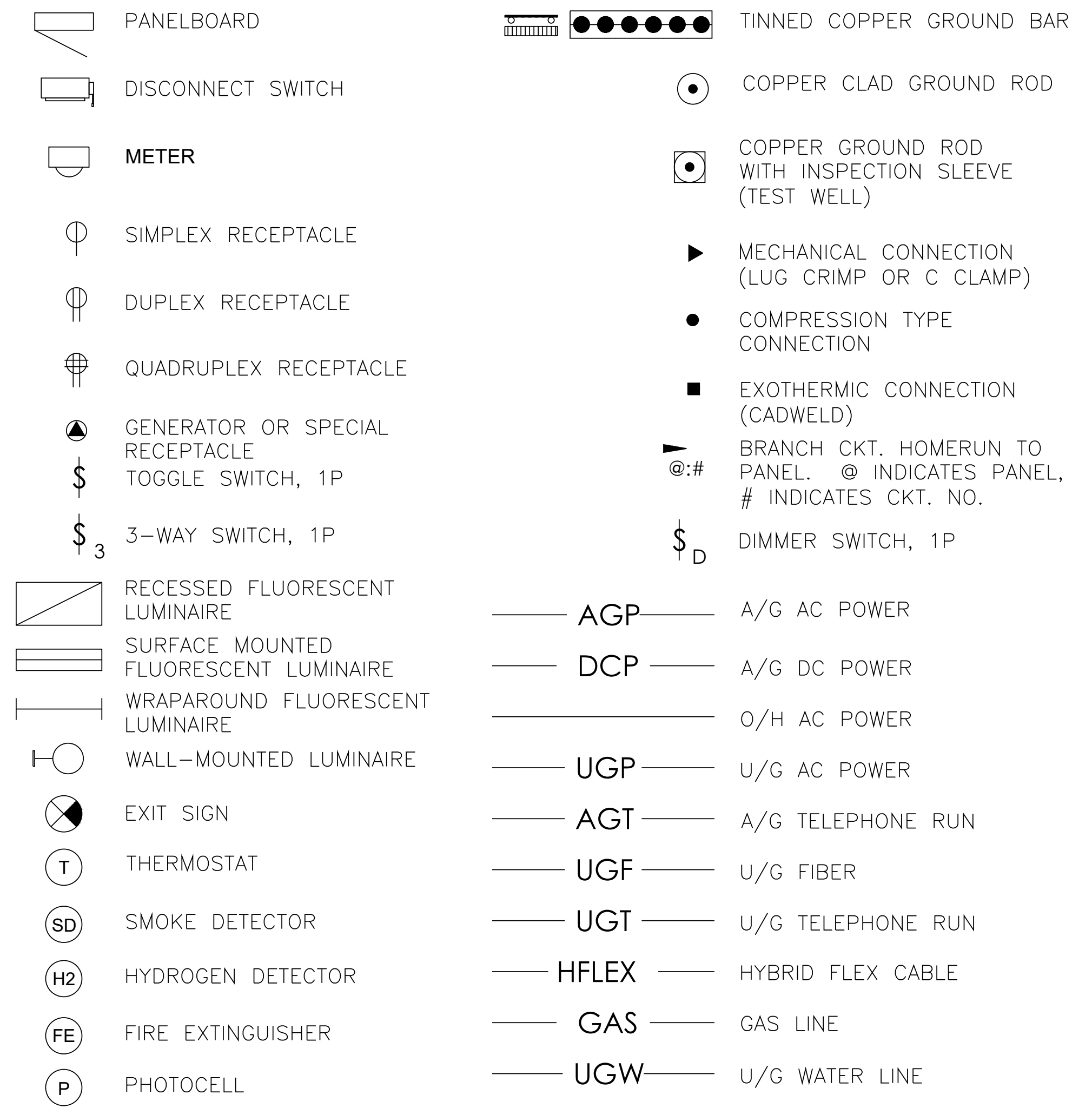
SHEET NUMBER:
S-3

- SUBMITTAL OF BID INDICATES CONTRACTOR IS COGNIZANT OF ALL JOB SITE CONDITIONS AND WORK TO BE PERFORMED UNDER THIS CONTRACT. CONTRACTOR IS RESPONSIBLE FOR ALL FIELD VERIFICATION.
- THESE PLANS ARE DIAGRAMMATIC ONLY, AND NOT TO BE SCALED.
- ELECTRICAL CONTRACTOR SHALL PROVIDE ALL LABOR, MATERIALS, INSURANCE, EQUIPMENT, INSTALLATION, CONSTRUCTION TOOLS, TRANSPORTATION, ETC. FOR A COMPLETE AND PROPERLY OPERATIVE SYSTEM ENERGIZED THROUGHOUT AND AS INDICATED ON DRAWINGS, AS SPECIFIED HEREIN AND/OR AS OTHERWISE REQUIRED.
- ALL MATERIALS AND EQUIPMENT SHALL BE NEW AND IN PERFECT CONDITION WHEN INSTALLED AND SHALL BE OF THE BEST GRADE OR GROUP OF EQUIPMENT. MATERIALS SHALL BE LISTED AND APPROVED BY UNDER-WRITER'S LABORATORY AND SHALL BEAR THE INSPECTION LABEL "J" WHERE SUBJECT TO SUCH APPROVAL MATERIALS SHALL MEET WITH APPROVAL OF THE DIVISION OF INDUSTRIAL SAFETY AND ALL GOVERNING BODIES HAVING JURISDICTION. MATERIALS SHALL BE MANUFACTURED IN ACCORDANCE WITH APPLICABLE STANDARDS ESTABLISHED BY ANSI, NEMA AND NBFU.
- ALL CONDUIT INSTALLED SHALL BE SURFACE MOUNTED UNLESS OTHERWISE NOTED.
- ELECTRICAL CONTRACTOR SHALL CARRY OUT HIS WORK WITH ACCORDANCE WITH ALL GOVERNING STATE, COUNTY, LOCAL CODES AND O.S.H.A.
- ELECTRICAL CONTRACTOR SHALL SECURE ALL NECESSARY ELECTRICAL PERMITS, AND PAY ALL REQUIRED FEES.
- COMPLETE JOB SHALL BE GUARANTEED FOR A PERIOD OF NO LESS THAN ONE YEAR AFTER THE DATE OF JOB COMPLETION. ANY WORK, MATERIAL, OR EQUIPMENT FOUND TO BE FAULTY DURING THAT PERIOD SHALL BE CORRECTED AT ONCE, UPON WRITTEN NOTIFICATION, AT THE EXPENSE OF THE ELECTRICAL CONTRACTOR.
- ALL CONDUIT ONLY (C.O.) SHALL HAVE A PULL WIRE OR ROPE, AND TRUE TAPE.
- PROVIDE THE OWNER WITH ONE SET OF COMPLETE DIMENSIONS AND CIRCUITS, WITHIN 10 WORKING DAYS OF PROJECT COMPLETION. ELECTRICAL "AS BUILT" DRAWINGS, SHOWING ACTUAL LOCATION OF CONDUITS.
- ALL BROCHURES, OPERATING MANUALS, CATALOGS, SHOP DRAWINGS, ETC. SHALL BE TURNED OVER TO PROJECT MANAGER AT JOB COMPLETION.
- USE T-TAP CONNECTIONS ON ALL MULTI-CIRCUITS WITH COMMON NEUTRAL CONDUCTOR FOR LIGHTING FIXTURE. ALL CONDUCTORS SHALL BE COPPER.
- THE EXTERIOR GROUND RING SHALL BE TESTED PER AT&T SPECIFICATIONS AND SHALL HAVE A RESISTANCE TO EARTH OF 5 OHMS OR LESS. IF NOT NOTIFY ENGINEER.
- ALL CIRCUIT BREAKERS, FUSES AND ELECTRICAL EQUIPMENT SHALL HAVE AN INTERRUPTING RATING NOT LESS THAN THE MAXIMUM SHORT-CIRCUIT CURRENT TO WHICH THEY MAY BE SUBJECTED, AND A MINIMUM OF 10,000 A.I.C.
- THE ENTIRE ELECTRICAL INSTALLATION SHALL BE GROUNDED AS REQUIRED BY ALL APPLICABLE CODES.
- PATCH, REPAIR, AND PAINT ANY AREA THAT HAS BEEN DAMAGED IN THE COURSE OF THE ELECTRICAL WORK.
- IN DRILLING HOLES INTO CONCRETE (WHETHER FOR FASTENING OR ANCHORING PURPOSES OR PENETRATIONS THROUGH THE FLOOR FOR CONDUIT RUNS, PIPE RUNS, ETC.) IT MUST BE CLEARLY UNDERSTOOD THAT TENDONS AND RE-BARS WILL NOT BE DRILLED INTO, CUT, OR DAMAGED UNDER ANY CIRCUMSTANCES.
- LOCATION OF TENDONS AN RE-BARS ARE NOT DEFINITELY KNOWN AND THEREFORE MUST BE SEARCHED FOR BY APPROPRIATE METHODS AND EQUIPMENT VIA X-RAY, OR OTHER DEVICES THAT CAN ACCURATELY LOCATE THE REINFORCING STEEL TENDONS.
- PENETRATIONS IN FIRE RATED WALLS SHALL BE FIRE STOPPED IN ACCORDANCE WITH APPLICABLE LOCAL BUILDING CODES. USING U.L. RATED MATERIALS.
- ELECTRICAL CONTRACTOR IS TO COORDINATE WITH UTILITY COMPANY FOR CONNECTION OF TEMPORARY AND PERMANENT POWER TO THE SITE. THE TEMPORARY POWER AND ALL HOOK-UP COSTS SHALL BE PAID BY THE CONTRACTOR.
- ELECTRICAL CONTRACTOR SHALL SUBMIT SHOP DRAWINGS AND/OR CATALOG CUT-SHEETS ON ALL NON-SPECIFIED ORIGINAL MATERIALS AND EQUIPMENT, TO PROJECT MANAGER PRIOR TO COMMENCEMENT OF THE WORK.
- UPON COMPLETION OF WORK, CONDUCT CONTINUITY AND SHORT CIRCUIT, AS WELL AS, GROUNDING TEST, GROUNDING TEST SHALL BE PERFORMED BY INDEPENDENT TESTING AGENCY, WITH WRITTEN REPORT SUBMITTED TO THE PROJECT MANAGER FOR REVIEW AND APPROVAL.
- CLEAN PREMISES DAILY OF ALL DEBRIS RESULTING FROM WORK AND LEAVE WORK PREMISES IN A COMPLETE AND UNDAMAGED CONDITION.
- ALL EXTERIOR WALL PENETRATIONS SHALL BE SEALED WITH POLYSEAM SEALANT.
- ALL #2 TINNED BARE COPPER DOWNLEADS TO BE PROTECTED BY 1/2" P.V.C. PIPE AND SECURED.
- COMPRESSION FITTINGS TO BE USED ON ALL CONDUITS (NO SET SCREWS).
- ALL #6 STRANDED COPPER WITH GREEN INSULATION TO BE ATTACHED WITH CRIMPED DOUBLE LUG, ATTACHED WITH NUTS, BOLTS AND STAR WASHERS TYPICAL AND NO-OX GREASE BETWEEN LUG AND BUS BAR.
- ALL ABOVE GROUND CONDUIT SHALL BE RIGID GALVANIZED CONDUIT WITH WEATHERPROOF FITTINGS.

*DATE OF JOB COMPLETION SHALL BE THE DATE ON THE CONTRACTOR'S "NOTICE OF COMPLETION" SUBMITTED TO THE OWNER.

ELECTRICAL NOTES

AAV	ALTERNATE ACCESS VENDOR	FMT	FLEXIBLE METALLIC TUBING	PPC	POWER PROTECTION CABINET
AC	ALTERNATING CURRENT	G	GROUND	PRC	PRIMARY RADIO CABINET
AFF	ABOVE FINISHED FLOOR	GEN	GENERATOR	PT	POTENTIAL TRANSFORMER
AFG	ABOVE FINISHED GRADE	GFCI	GROUND FAULT CURRENT INTERRUPTER	PVC	POLYVINYL CHLORIDE
AIC	AMPERES INTERRUPT CURRENT	GIP	GENERATOR INTERFACE PANEL	PWR	POWER
AL	ALUMINUM	GND	GROUND	RAC	RIGID ALUMINUM CONDUIT
A/G	ABOVE GROUND	GPS	GLOBAL POSITIONING SYSTEM	RECT	RECTIFIER
AGB	ANTENNA GROUND BAR	GR	GROWTH (CABINET)	RET	REMOTE ELECTRICAL TILT
ATS	AUTOMATIC TRANSFER SWITCH	GRC	GALVANIZED RIGID (STEEL) CONDUIT	RGS	RIGID GALVANIZED STEEL
AWG	AMERICAN WIRE GAUGE	HVAC	HEATING, VENTILATING, AND AIR CONDITIONING	RMT	RIGID METALLIC TUBING
AWS	ADVANCED WIRELESS SERVICES	IPC	IDAHO POWER COMPANY	RRH	REMOTE RADIO HEAD
BATT	BATTERY	IGB	INTERIOR GROUND BAR	RRU	REMOTE RADIO UNIT
BBU	BASEBAND UNIT	IGR	INTERIOR GROUND RING (HALO)	RU	RACK UNIT
BCW	BARE COPPER WIRE	IMC	INTERMEDIATE METALLIC CONDUIT	SCA	SHORT CIRCUIT AMPERES
BSCW	BARE STRANDED COPPER WIRE	ISCW	INSULATED STRANDED COPPER WIRE	SCCR	SHORT CIRCUIT CURRENT RATING
BTCW	BARE TINNED COPPER WIRE	KAIC	KILOAMPERES INTERRUPT CURRENT	SPD	SURGE PROTECTIVE DEVICE
C	CONDUIT	LTE	LONG TERM EVOLUTION	S/S	STAINLESS STEEL
CAB	CABINET	MGB	MAIN (OR MASTER) GROUND BAR	TVSS	TRANSIENT VOLTAGE SURGE SUPPRESSOR
CGB	COLLECTOR GROUND BAR	MIN	MINIMUM	TYP	TYPICAL
CKT	CIRCUIT	MTS	MANUAL TRANSFER SWITCH	U/G	UNDERGROUND
CT	CURRENT TRANSFORMER	MW	MICROWAVE	UTP	UNSHIELDED TWISTED PAIR
CU	COPPER	N	NEUTRAL	VZW	VERIZON WIRELESS
DC	DIRECT CURRENT	NEC	NATIONAL ELECTRIC CODE	WP	WEATHERPROOF
DEI	DIGITAL EXPANSION INTERFACE	NID	NETWORK INTERFACE DEVICE	WW	WIREWAY
DISC	DISCONNECT	OC	ON CENTER	XFMR	TRANSFORMER
EGB	EXTERIOR GROUND BAR	O/H	OVERHEAD		
EMT	ELECTRICAL METALLIC TUBING	PCS	PERSONAL COMMUNICATION SERVICES		



AT&T Site ID:
UTL03026
546 OGDEN CANYON
OGDEN, UT 84401

Tower Owner:

2055 SOUTH STEARMAN DRIVE
CHANDLER, AZ 85286

PREPARED FOR

161 Inverness Drive West 2nd floor
Englewood, Colorado 80112

A&E:

3450 N. HIGLEY RD. BLDG. 2, SUITE 102
MESA, AZ 85215

AT&T SITE NO: UTL03026
BU NO: 5800296
DRAWN BY: JM
CHECKED BY: CM

REV	DATE	DESCRIPTION
A	11/21/19	PRELIMINARY CDs
B	3/10/20	CLIENT COMMENTS

Licensor:

IT IS A VIOLATION OF LAW FOR ANY PERSON, UNLESS THEY ARE ACTING UNDER THE DIRECTION OF A LICENSED PROFESSIONAL ENGINEER, TO ALTER THIS DOCUMENT.

Issued For:
3/10/20
PRELIMINARY CDs

SHEET TITLE:
GENERAL ELECTRICAL/ GROUNDING NOTES

SHEET NUMBER:
E-1

KEYNOTES

- 1 (E) 54'-4" MONOPOLE
- 2 (E) FENCE
- 3 (E) FENCE GATE
- 4 (E) UTILITY H-FRAME BY OTHERS
- 5 (E) EQUIPMENT SHELTER BY OTHERS
- 6 (E) LEASE AREA BY OTHERS
- 7 (E) ICE BRIDGE BY OTHERS
- 8 (P) AT&T 22'-0" X 12'-0" FENCED COMPOUND EXPANSION
- 9 (P) AT&T 22'-0" X 12'-0" LEASE AREA
- 10 (P) AT&T 8'-0"x8'-0" WALK IN CABINET ON 9'-0"x9'-0" CONCRETE PAD (SEE SHEET A2.2 FOR DETAILS)
- 11 (P) 30KW AC DIESEL GENERATOR ON 4'-0"x9'-0" CONCRETE PAD
- 12 (P) UTILITY FRAME W/ ELECTRICAL EQUIPMENT
- 13 (P) AT&T 17'-0" ICE BRIDGE
- 14 (P) AT&T CONCRETE STAIRS
- 15 (P) AT&T 17'-0" FENCE GATE
- 16 (P) UNDERGROUND POWER ROUTE FROM POWER SOURCE TO METER (2" CONDUIT)
(POWER SOURCE LOCATION TO BE DETERMINED BY OTHERS) (PENDING UCR)
- 17 (P) UNDERGROUND POWER FROM DISCONNECT TO LOAD CENTER (2" CONDUIT)
(PENDING UCR)
- 18 (P) UNDERGROUND FIBER FROM FIBER SOURCE TO TULO CAN
(FIBER SOURCE LOCATION TO BE DETERMINED BY OTHERS) (PENDING UCR)
- 19 (P) UNDERGROUND CONDUITS FROM GENERATOR TO WIC (ONE 2" & TWO 1" CONDUIT)
(PENDING UCR)

AT&T Site ID:
UTL03026
546 OGDEN CANYON
OGDEN, UT 84401

Tower Owner:
CROWN CASTLE
2055 SOUTH STEARMAN DRIVE
CHANDLER, AZ 85286

PREPARED FOR
at&t Mobility
161 Inverness Drive West 2nd floor
Englewood, Colorado 80112

A&E:
TELCYTE
INFRASTRUCTURE SERVICES
3450 N. HIGLEY RD. BLDG. 2, SUITE 102
MESA, AZ 85215

AT&T SITE NO: UTL03026
BU NO: 5800296
DRAWN BY: JM
CHECKED BY: CM

REV	DATE	DESCRIPTION
A	11/21/19	PRELIMINARY CDs
B	3/10/20	CLIENT COMMENTS

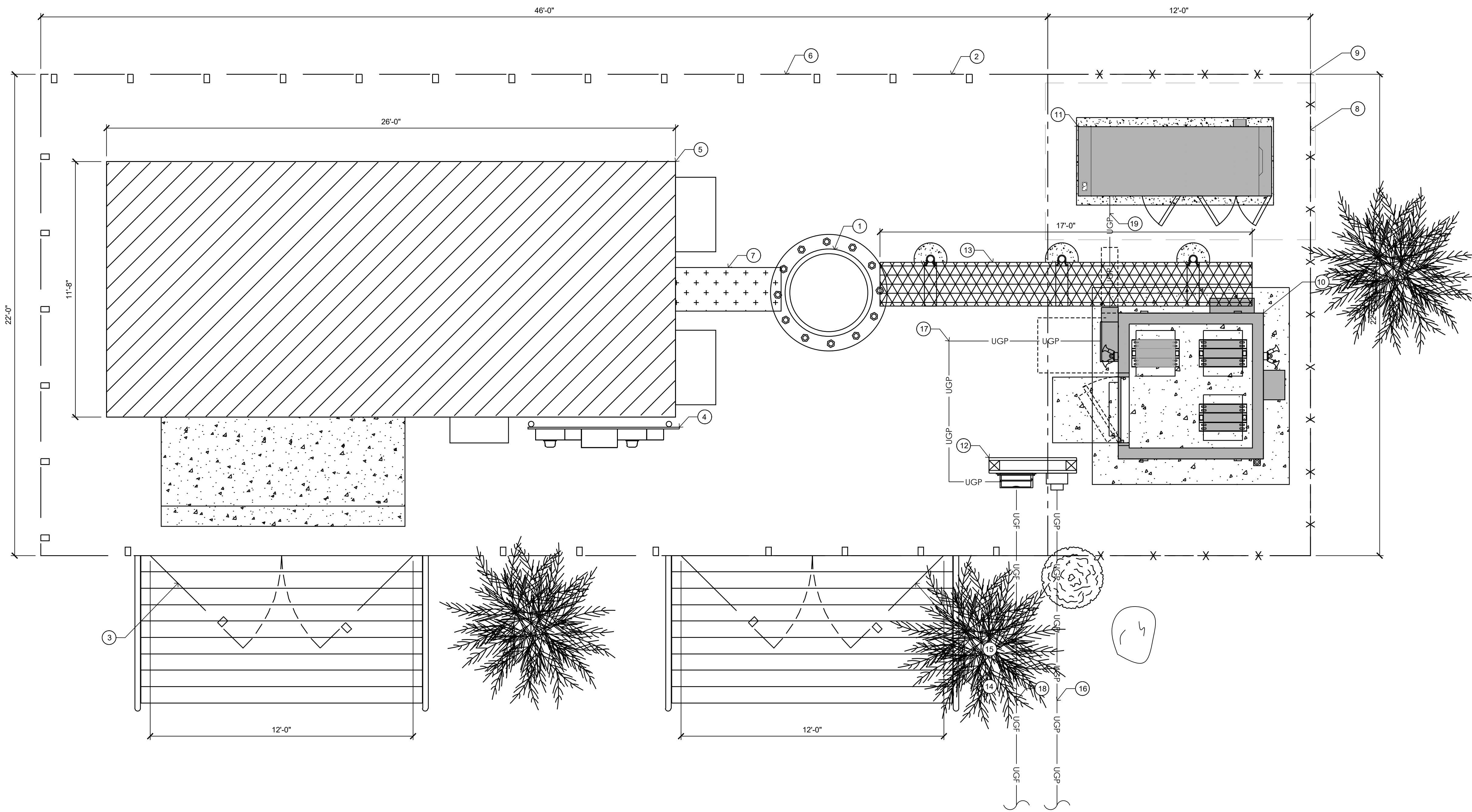
Licensor:

IT IS A VIOLATION OF LAW FOR ANY PERSON, UNLESS THEY ARE ACTING UNDER THE DIRECTION OF A LICENSED PROFESSIONAL ENGINEER, TO ALTER THIS DOCUMENT.

Issued For:
3/10/20
PRELIMINARY CDs

SHEET TITLE:
UTILITY SITE PLAN

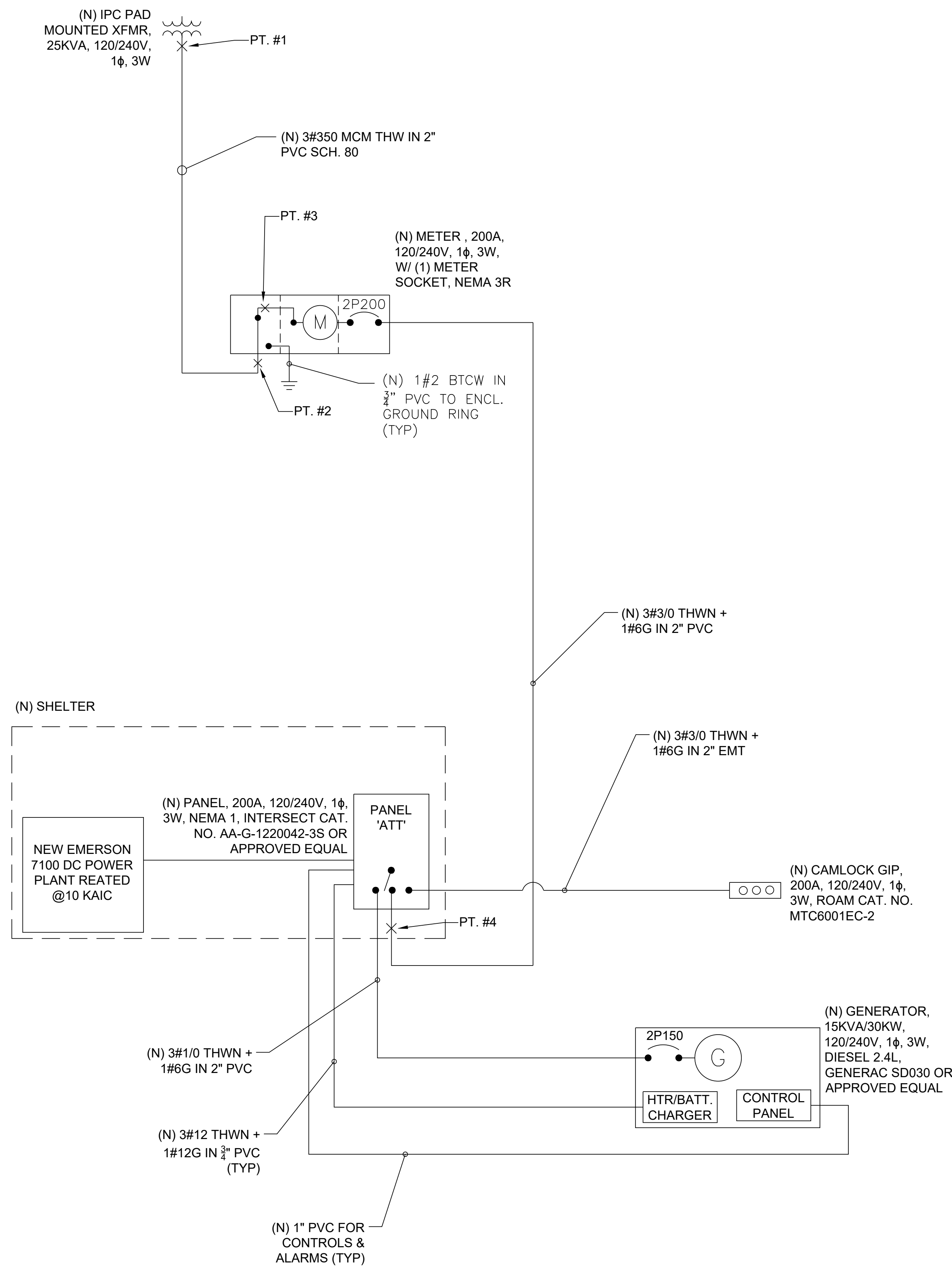
SHEET NUMBER:
E-2



1 PROPOSED UTILITY SITE PLAN
SCALE: 3/8"=1'-0" (FULL SIZE)
3/16"=1'-0" (11x17)



SITE TYPE: MONOPOLE/WIC



NOTES:

1. ACTUAL VALUES FOR FAULT CURRENT SHOWN IN DETAIL 1.

AC POWER PANEL No. 1											
120/240 VOLTS, 1-PHASE, 3-WIRE, 200											
MAIN BREAKER RATING (A) :				200			SYSTEM VOLTAGE (V) :				240
DESCRIPTION	VA	c/nc	BKR	POSN	L1	L2	POSN	BKR	c/nc	VA	DESCRIPTION
RECTIFIER # 1	1725	c	30	3	3450	3450	4	30	c	1725	RECTIFIER # 4
	1725	c									
RECTIFIER # 2	1725	c	30	5	3450	3450	6	30	c	1725	RECTIFIER # 5
	1725	c									
RECTIFIER # 3	1725	c	30	9	3450	3450	10	30	c	1725	RECTIFIER # 6
	1725	c									
RECTIFIER # 7	1725	c	30	13	1725	1725	14	30			RECTIFIER # 10 / SPARE
	1725	c									
RECTIFIER # 8 / SPARE			30	17	0	0	18	30			RECTIFIER # 11 / SPARE
RECTIFIER # 9 / SPARE			30	21	0	0	22	30			RECTIFIER # 12 / SPARE
HVAC	2122	c	25	25	2482	2482	26	20	nc	360	EXTERIOR LIGHT
	2122	c									
GFCI	180	nc	20	29	360	360	30	20	c	180	GENERATOR BLOCK HTR
PHASE TOTALS (VA):				14917		14557					
CURRENT PER PHASE (A):				154		151		Amperes/phase cannot exceed main breaker rating			
PANEL TOTAL (VA):				29474		Legend: c = continuous, nc = non-continuous					
PANEL CAPACITY (kVA):				48.0		CONNECTED LOAD (kVA): 29.5					
PANEL LOADING (100% non-cont. load) (kVA):				0.9							
PANEL LOADING (125% continuous load) (kVA):				35.7							
PANEL LOADING (TOTAL) (kVA):				36.6							
SPARE CAPACITY (kVA):				11.4							

3 PANEL SCHEDULE
N.T.S.

SHORT CIRCUIT CALCULATIONS BASED UPON POINT METHOD AS ILLUSTRATED IN BUSSMAN PUBLICATION SPD-90. FAULT VALUES SHOWN ARE FOR LINE-TO-LINE FAULT @ 208 VAC

FAULT CURRENT AT TRANSFORMER SECONDARY PER LOCAL POWER COMPANY

$$I_{sc1} = \frac{V_{F-UT}/V_{S-UT} \times M_{UT} \times I_{SCP-UT}}{1} = \frac{2 \times 10 \times 12175}{22737 \times 1 \times 208} = 12175 \text{ A}$$

$$f_1 = \frac{2 \times L \times I_{SC1(L)}}{C_1 \times n \times V_{L-L}} = \frac{2 \times 10 \times 12175}{22737 \times 1 \times 208} = 0.0515$$

$$M_1 = \frac{1}{1 + f_1} = \frac{1}{1 + 0.0515} = 0.9510$$

FAULT CURRENT AT METER BANK

$$I_{sc2} = M_1 \times I_{sc1} = 0.951 \times 12175 = 11579 \text{ A}$$

$$f_2 = \frac{2 \times L \times I_{sc2(L)}}{C_2 \times n \times V_{L-L}} = \frac{2 \times 3 \times 11579}{36500 \times 208} = 0.0092$$

$$M_2 = \frac{1}{1 + f_2} = \frac{1}{1 + 0.0092} = 0.9909$$

FAULT CURRENT AT METER BANK BUSBAR

$$I_{sc3} = M_2 \times I_{sc2} = 0.9909 \times 11579 = 11474 \text{ A}$$

$$f_3 = \frac{2 \times L \times I_{sc3(L)}}{C_3 \times n \times V_{L-L}} = \frac{2 \times 50 \times 11474}{13923 \times 1 \times 208} = 0.3962$$

$$M_3 = \frac{1}{1 + f_3} = \frac{1}{1 + 0.3962} = 0.7162$$

FAULT CURRENT AT PANEL 'ATT'

$$I_{sc4} = M_3 \times I_{sc3} = 0.7162 \times 11474 = 8218 \text{ A}$$

1 FAULT CALCULATIONS
N.T.S.

SITE TYPE: MONOPOLE/WIC

AT&T Site ID:
UTL03026
546 OGDEN CANYON
OGDEN, UT 84401

Tower Owner:
CROWN CASTLE
2055 SOUTH STEARMAN DRIVE
CHANDLER, AZ 85286

PREPARED FOR
at&t Mobility
161 Inverness Drive West 2nd floor
Englewood, Colorado 80112

A&E:
TELCYTE
INFRASTRUCTURE SERVICES
3450 N. HIGLEY RD, BLDG. 2, SUITE 102
MESA, AZ 85215

AT&T SITE NO: UTL03026
BU NO: 5800296
DRAWN BY: JM
CHECKED BY: CM

REV	DATE	DESCRIPTION
A	11/21/19	PRELIMINARY CDs
B	3/10/20	CLIENT COMMENTS

Licensor:

IT IS A VIOLATION OF LAW FOR ANY PERSON, UNLESS THEY ARE ACTING UNDER THE DIRECTION OF A LICENSED PROFESSIONAL ENGINEER, TO ALTER THIS DOCUMENT.

Issued For:
3/10/20
PRELIMINARY CDs

SHEET TITLE:
POWER ONE-LINE DIAGRAM

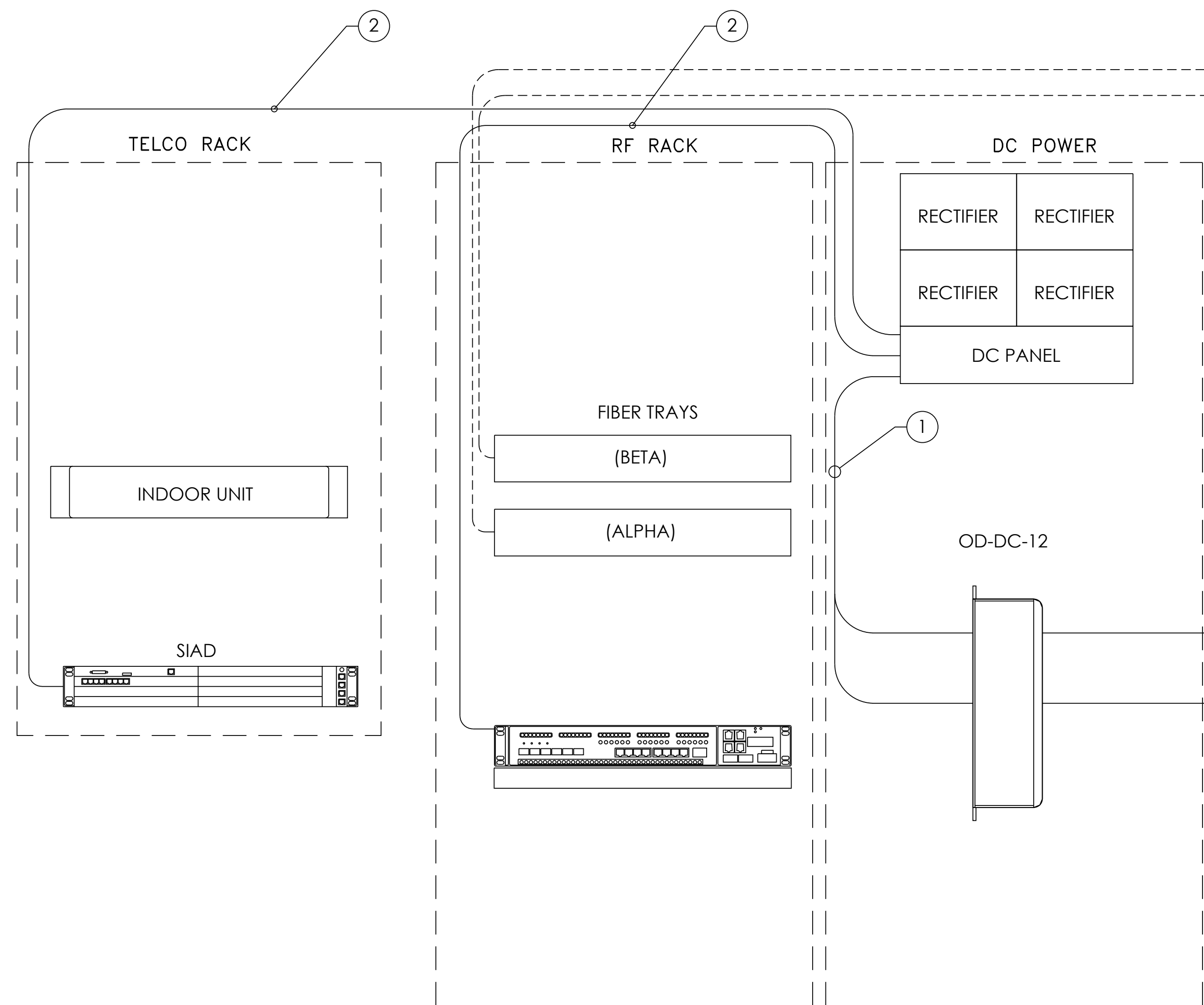
SHEET NUMBER:
E-3

2 ONE-LINE DIAGRAM
N.T.S.

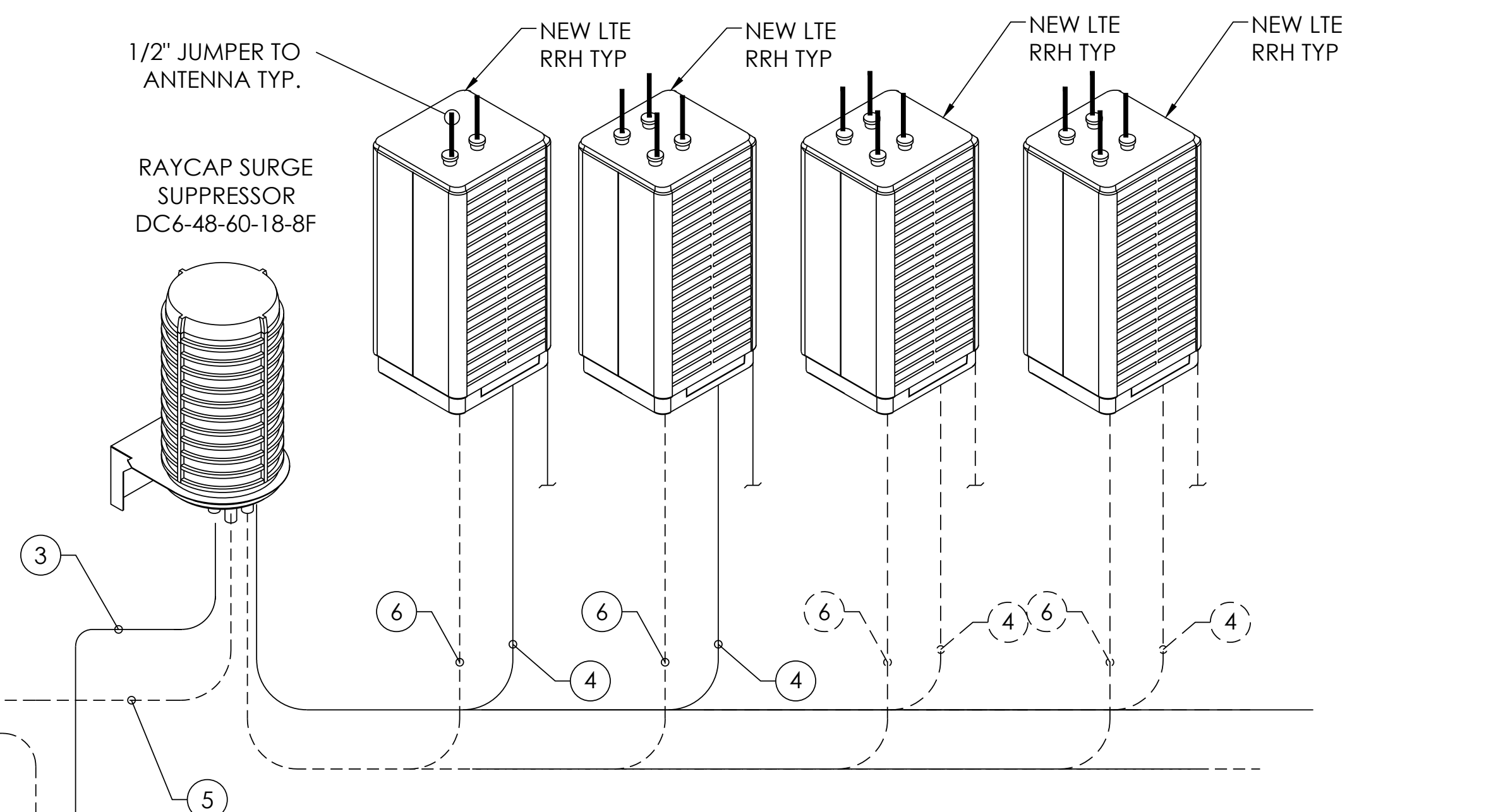
CIRCUIT SCHEDULE	
①	-48VDC 50A CIRCUIT (8-AWG)
②	-48VDC 50A CIRCUIT (8-AWG)
③	3 PAIR #8-AWG DC TRUNK CABLE
④	#8-AWG DC JUMPER
⑤	18 PAIR FIBER OPTIC TRUNK CABLE
⑥	FIBER OPTIC JUMPER CABLE

NOTES:

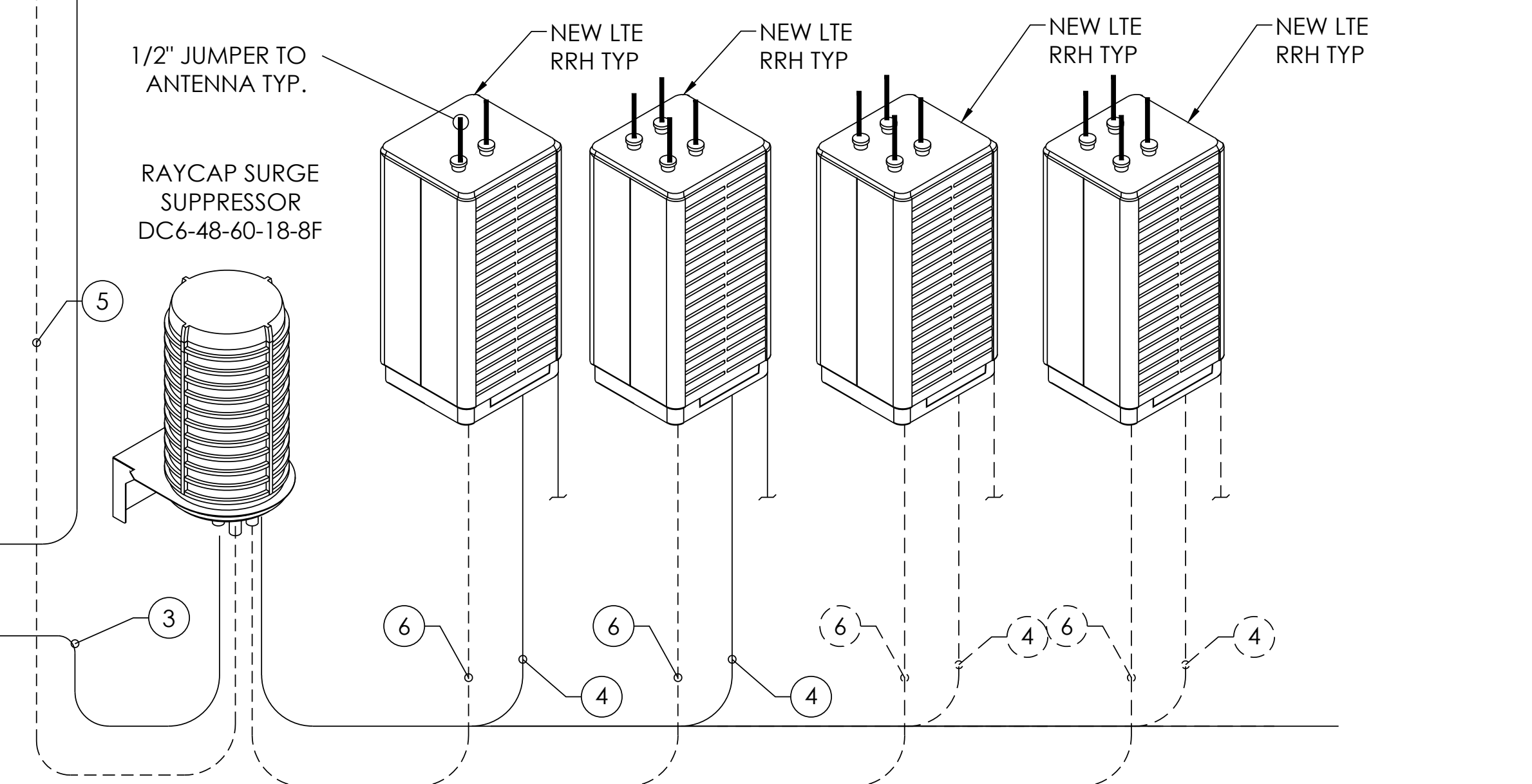
1. REFER TO FINAL RFDS FOR RF DESIGN AND PLUMBING.
2. REFER TO FINAL RFDS FOR FINAL RADIO HEAD COUNT.
3. REFER TO EQUIPMENT LAYOUT FOR RACK LOCATION.
4. WIRE LENGTH NOT TO EXCEED 15' FROM SURGE SUPPRESSOR TO RRH.
5. RRH & SQUID DESIGN TYPICAL PER SECTOR.
6. ROUTE TO THE NEAREST GROUND BAR TYP.
7. DAISY CHAIN RRHs ONLY WHEN REQUIRED BY SPECTRUM CONSTRAINTS.



ALPHA



BETA



CABLE LENGTH TABLE

SECTOR	PDF	DISTANCE & CABLE TYPE		DC-6	DISTANCE & CABLE TYPE		SQUID	DISTANCE & CABLE TYPE		RRH	TOTAL CABLE LENGTH	FINAL VOLTAGE
		3'	#8 AWG		77'	(2) #8 AWG		1'	#8 AWG			
ALPHA		3'	#8 AWG		77'	(2) #8 AWG		1'	#8 AWG		81'	44.425
BETA		3'	#8 AWG		77'	(2) #8 AWG		1'	#8 AWG		81'	44.425

AT&T Site ID:
UTL03026
546 OGDEN CANYON
OGDEN, UT 84401

Tower Owner:
CROWN CASTLE
2055 SOUTH STEARMAN DRIVE
CHANDLER, AZ 85286

PREPARED FOR
at&t Mobility
161 Inverness Drive West 2nd floor
Englewood, Colorado 80112

A&E:
TELCYTE
INFRASTRUCTURE SERVICES
3450 N. HIGLEY RD. BLDG. 2, SUITE 102
MESA, AZ 85215

AT&T SITE NO: UTL03026
BU NO: 5800296
DRAWN BY: JM
CHECKED BY: CM

REV	DATE	DESCRIPTION
A	11/21/19	PRELIMINARY CDs
B	3/10/20	CLIENT COMMENTS

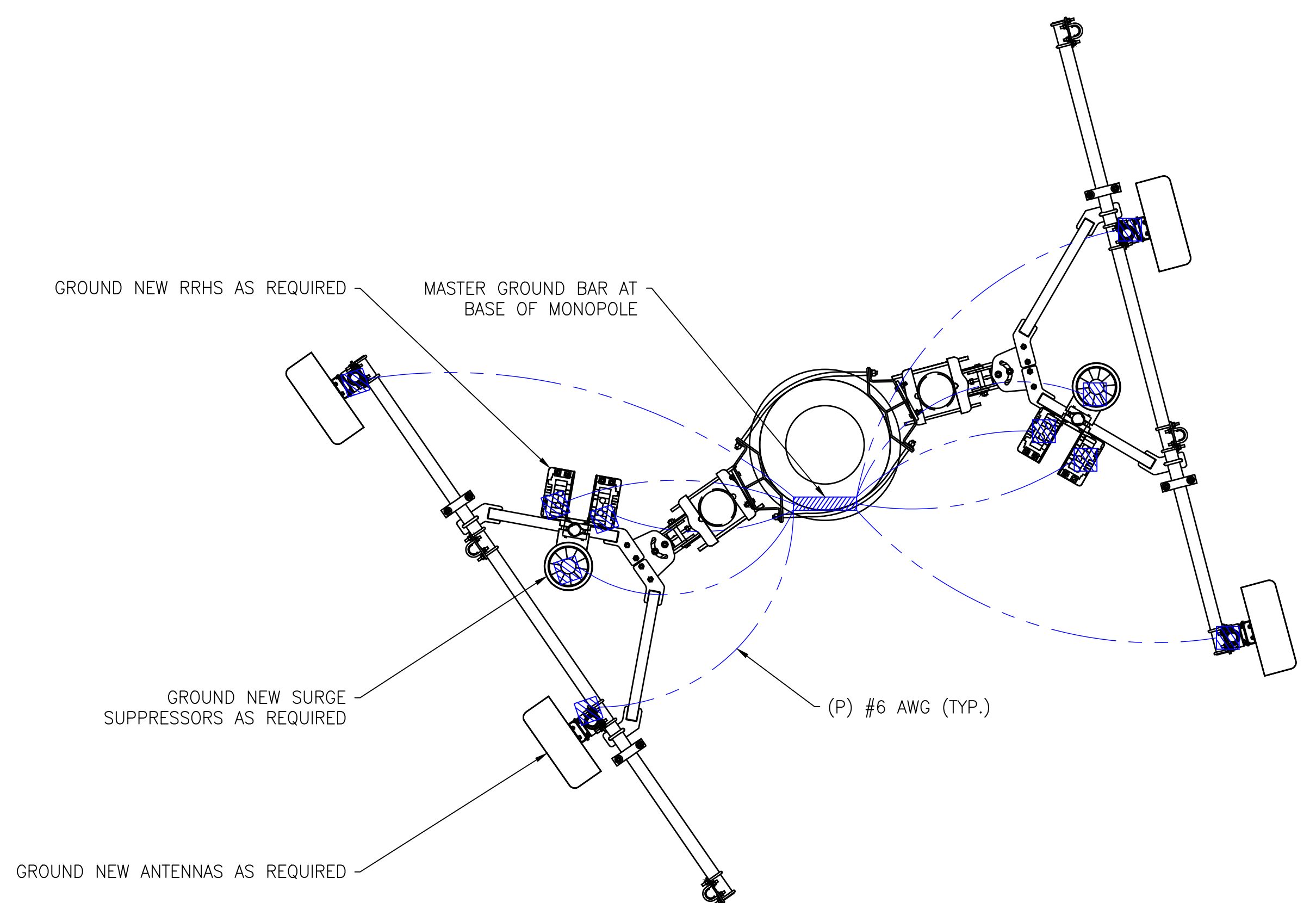
Licensors:

IT IS A VIOLATION OF LAW FOR ANY PERSON, UNLESS THEY ARE ACTING UNDER THE DIRECTION OF A LICENSED PROFESSIONAL ENGINEER, TO ALTER THIS DOCUMENT.

Issued For:
3/10/20
PRELIMINARY CDs

SHEET TITLE:
ELECTRICAL DC & FIBER CABLE DIAGRAM

SHEET NUMBER:
E-5



SYMBOL	DESCRIPTION
⊗	COPPER GROUND ROD
⊠	TEST WELL
▲	CADWELD CONNECTION
▨	GROUND BAR
⊞	MECHANICAL CONNECTION
— — —	FIELD VERIFY & TIE INTO EXISTING GROUNDING SYSTEM

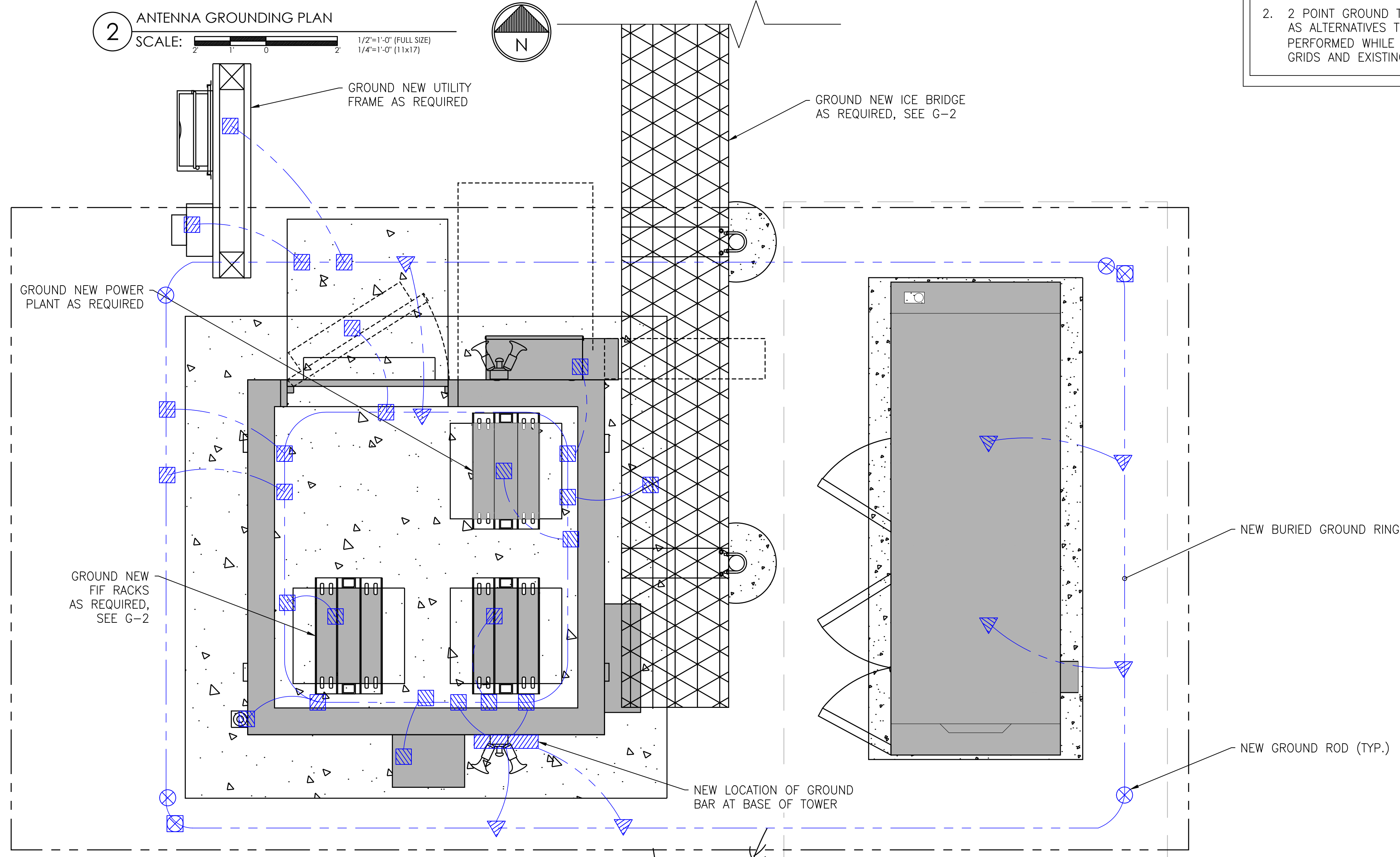
GENERAL GROUNDING NOTES:

- GROUNDING SHALL BE INSTALLED 6" BELOW FROST DEPTH OR 30" BELOW GRADE, WHICHEVER IS GREATER. CONFIRM FROST DEPTH WITH JURISDICTION.
- ALL DETAILS ARE SHOWN IN GENERAL TERMS. ACTUAL INSTALLATION AND CONSTRUCTION MAY VARY DUE TO SITE SPECIFIC CONDITIONS.
- GROUND ALL ANTENNA BASES, FRAMES, CABLE RUNS, AND OTHER METALLIC COMPONENTS USING GROUND WIRES AND CONNECT TO SURFACE MOUNTED BUS BARS. FOLLOW ANTENNA AND BTS MANUFACTURERS PRACTICES FOR GROUNDING REQUIREMENTS. GROUND COAX SHIELD AT BOTH ENDS AND EXIT FROM TOWER OR POLE USING MFR'S PRACTICES.
- ALL GROUND CONNECTIONS SHALL BE CADWELDED. ALL WIRES SHALL BE COPPER THHN/THWN. ALL GROUND WIRE SHALL BE GREEN INSULATED WIRE ABOVE GROUND.
- CONTRACTOR TO VERIFY AND TEST GROUND TO SOURCE. GROUNDING AND OTHER OPERATIONAL TESTING WILL BE WITNESSED BY AT&T REPRESENTATIVE.
- ELECTRICAL CONTRACTOR TO PROVIDE DETAILED DESIGN OF GROUNDING SYSTEM, AND RECEIVE APPROVAL OF DESIGN BY AUTHORIZED AT&T MOBILITY REPRESENTATIVE, PRIOR TO INSTALLATION OF GROUNDING SYSTEM. PHOTO DOCUMENT ALL CADWELDS AND GROUND RING
- NOTIFY CONSTRUCTION MANAGER IF THERE ARE ANY DIFFICULTIES INSTALLING GROUNDING SYSTEM DUE TO SITE SOIL CONDITIONS.

GENERAL ROD NOTES (WHERE APPLICABLE):

- ELECTRICAL CONTRACTOR SHALL ORDER GROUND RESISTANCE TESTING ONCE THE GROUND SYSTEM HAS BEEN INSTALLED; A QUALIFIED INDIVIDUAL, UTILIZING THE FALL OF POTENTIAL METHOD, SHOULD PERFORM THE TEST. THE REPORT WILL SHOW THE LOCATION OF THE TEST AND CONTAIN NO LESS THAN 9 TEST POINTS ALONG THE TESTING LINE, GRAPHED OUT TO SHOW THE PLATEAU.
- 2 POINT GROUND TEST OR 3 POINT 62% TESTS WILL NOT BE ACCEPTED AS ALTERNATIVES TO THE AFOREMENTIONED GROUND TESTS. TEST SHALL BE PERFORMED WHILE THE COUNTERPOISE IS ISOLATED FROM THE A/C SYSTEM GRIDS AND EXISTING COMMUNICATIONS FACILITY.

2 ANTENNA GROUNDING PLAN
SCALE: 1/2"=1'-0" (FULL SIZE)
1/4"=1'-0" (11x17)



1 EQUIPMENT GROUNDING PLAN
SCALE: 3/4"=1'-0" (FULL SIZE)
3/8"=1'-0" (11x17)

SITE TYPE: MONOPOLE/WIC

AT&T Site ID:
UTL03026
546 OGDEN CANYON
OGDEN, UT 84401

Tower Owner:
CROWN CASTLE
2055 SOUTH STEARMAN DRIVE
CHANDLER, AZ 85286

PREPARED FOR
at&t Mobility
161 Inverness Drive West 2nd floor
Englewood, Colorado 80112

A&E:
TELCYTE
INFRASTRUCTURE SERVICES
3450 N. HIGLEY RD. BLDG. 2, SUITE 102
MESA, AZ 85215

AT&T SITE NO: UTL03026
BU NO: 5800296
DRAWN BY: JM
CHECKED BY: CM

REV	DATE	DESCRIPTION
A	11/21/19	PRELIMINARY CDs
B	3/10/20	CLIENT COMMENTS

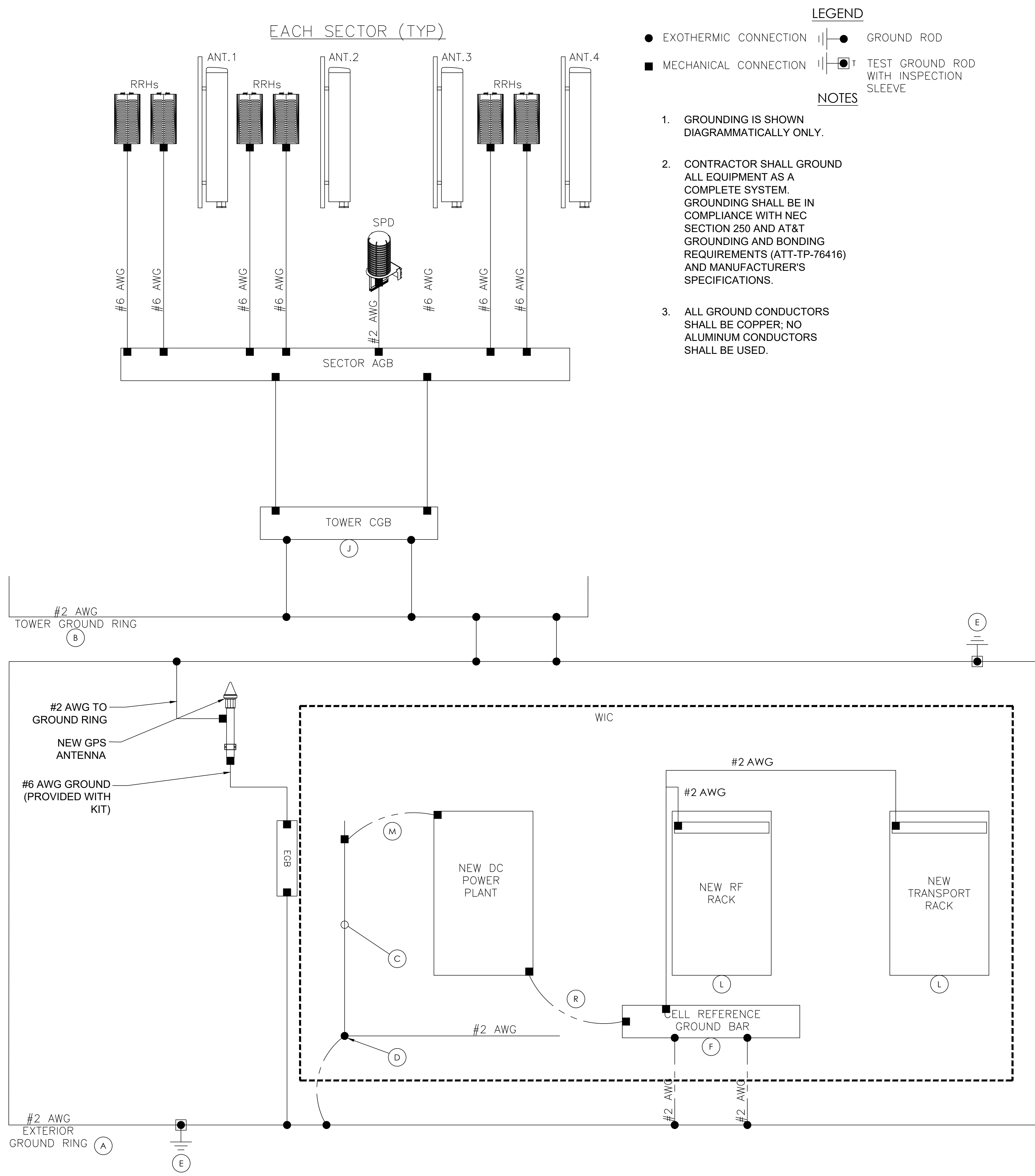
Licensor:

IT IS A VIOLATION OF LAW FOR ANY PERSON, UNLESS THEY ARE ACTING UNDER THE DIRECTION OF A LICENSED PROFESSIONAL ENGINEER, TO ALTER THIS DOCUMENT.

Issued For:
3/10/20
PRELIMINARY CDs

SHEET TITLE:
GROUNDING PLAN, NOTES & DETAILS

SHEET NUMBER:
G-1



LEGEND

- EXOTHERMIC CONNECTION
- MECHANICAL CONNECTION
- TEST GROUND ROD WITH INSPECTION SLEEVE
- GROUND ROD

NOTES

1. GROUNDING IS SHOWN DIAGRAMMATICALLY ONLY.
2. CONTRACTOR SHALL GROUND ALL EQUIPMENT AS A COMPLETE SYSTEM. GROUNDING SHALL BE IN COMPLIANCE WITH NEC SECTION 250 AND AT&T GROUNDING AND BONDING REQUIREMENTS (ATT-TP-76416) AND MANUFACTURER'S SPECIFICATIONS.
3. ALL GROUND CONDUCTORS SHALL BE COPPER; NO ALUMINUM CONDUCTORS SHALL BE USED.

- (A) **EXTERIOR GROUND RING:** #2 AWG SOLID COPPER, BURIED AT A DEPTH OF AT LEAST 30 INCHES BELOW GRADE, OR 6 INCHES BELOW THE FROST LINE AND APPROXIMATELY 24 INCHES FROM THE EXTERIOR WALL OR FOOTING. (ATT-TP-76416 2.2.3.5/7.5.1)
 - (B) **TOWER GROUND RING:** THE GROUND RING SYSTEM SHALL BE INSTALLED AROUND AN ANTENNA TOWER'S LEGS, AND/OR GUY ANCHORS. WHERE SEPARATE SYSTEMS HAVE BEEN PROVIDED FOR THE TOWER AND THE BUILDING, AT LEAST TWO BONDS SHALL BE MADE BETWEEN THE TOWER RING GROUND SYSTEM AND THE BUILDING RING GROUND SYSTEM USING MINIMUM #2 AWG SOLID COPPER CONDUCTORS. (ATT-TP-76416 7.5.1)
 - (C) **INTERIOR GROUND RING:** #2 AWG STRANDED GREEN INSULATED COPPER CONDUCTOR EXTENDED AROUND THE PERIMETER OF THE EQUIPMENT AREA. ALL NON-TELECOMMUNICATIONS RELATED METALLIC OBJECTS FOUND WITHIN A SITE SHALL BE GROUNDED TO THE INTERIOR GROUND RING WITH #6 AWG STRANDED GREEN INSULATED CONDUCTOR. (ATT-TP-76416 7.6.4)
 - (D) **BOND TO INTERIOR GROUND RING:** #2 AWG SOLID TINNED COPPER WIRE PRIMARY BONDS SHALL BE PROVIDED AT LEAST AT FOUR POINTS ON THE INTERIOR GROUND RING, LOCATED AT THE CORNERS OF THE BUILDING. (ATT-TP-76416 7.5.2.2)
 - (E) **GROUND ROD:** UL LISTED COPPER CLAD STEEL. MINIMUM 5/8" DIAMETER BY EIGHT FEET LONG. ALL GROUND RODS MAY BE INSTALLED WITH INSPECTION SLEEVES. GROUND RODS SHALL BE DRIVEN TO THE DEPTH OF GROUND RING CONDUCTOR. (ATT-TP-76416 1.4 / 2.2.3.10)
 - (F) **CELL REFERENCE GROUND BAR:** POINT OF GROUND REFERENCE FOR ALL COMMUNICATIONS EQUIPMENT FRAMES. ALL BONDS ARE MADE WITH #2 AWG STRANDED GREEN INSULATED COPPER CONDUCTORS. BOND TO GROUND RING WITH (2) #2 SOLID TINNED COPPER CONDUCTORS. (ATT-TP-76416 7.6.7)
 - (G) **HATCH PLATE GROUND BAR:** BOND TO THE INTERIOR GROUND RING WITH TWO #2 AWG STRANDED GREEN INSULATED COPPER CONDUCTORS. WHEN A HATCH-PLATE AND A CELL REFERENCE GROUND BAR ARE BOTH PRESENT, THE CRGB MUST BE CONNECTED TO THE HATCH-PLATE AND TO THE INTERIOR GROUND RING USING TWO #2 AWG STRANDED GREEN INSULATED COPPER CONDUCTORS.
 - (H) **EXTERIOR CABLE ENTRY PORT GROUND BARS:** LOCATED AT THE ENTRANCE TO THE CELL SITE BUILDING. BOND TO GROUND RING WITH A #2 AWG SOLID TINNED COPPER CONDUCTORS WITH AN EXOTHERMIC WELD AND INSPECTION SLEEVE. (ATT-TP-76416 7.6.7.2)
 - (J) **TOWER EXIT GROUND BAR:** #2 AWG SOLID TINNED COPPER BOND TO THE TOWER GROUND RING. (ATT-TP-76416 7.5.5)
 - (K) **TELCO GROUND BAR:** BOND TO BOTH CELL REFERENCE GROUND BAR AND EXTERIOR GROUND RING. (ATT-TP-76416 7.6.8)
 - (L) **FRAME BONDING:** THE BONDING POINT FOR TELECOM EQUIPMENT FRAMES SHALL BE THE GROUND BUS THAT IS NOT ISOLATED FROM THE EQUIPMENTS METAL FRAMEWORK. BOND THE FRAME GROUND BUS OR SUPPLEMENTARY CONDUCTOR TO THE "I" SECTION OF THE CELL REFERENCE GROUND BAR. (ATT-TP-76416 6.5.3 AND 7.8)
 - (M) **INTERIOR UNIT BONDS:** METAL FRAMES, CABINETS AND INDIVIDUAL METALLIC UNITS LOCATED WITH THE AREA OF THE INTERIOR GROUND RING REQUIRE A #6 AWG STRANDED GREEN INSULATED COPPER BOND TO THE INTERIOR GROUND RING. (ATT-TP-76416 7.12.3.1)
 - (P) **FENCE AND GATE GROUNDING:** METAL FENCES WITHIN 7 FEET OF THE EXTERIOR GROUND RING OR OBJECTS BONDED TO THE EXTERIOR GROUND RING SHALL BE BONDED TO THE GROUND RING WITH A #2 AWG SOLID TINNED COPPER CONDUCTOR AT AN INTERVAL NOT EXCEEDING 25 FEET. BONDS SHALL BE MADE AT EACH GATE POST AND ACROSS GATE OPENINGS. (ATT-TP-76416 7.12.2.2)
 - (Q) **EXTERIOR UNIT BONDS:** METALLIC OBJECTS, EXTERNAL TO OR MOUNTED TO THE BUILDING, SHALL BE BONDED TO THE EXTERIOR GROUND RING. (ATT-TP-76416 7.12.2)
 - (R) **ICE BRIDGE SUPPORTS:** EACH ICE BRIDGE LEG SHALL BE BONDED TO THE GROUND RING WITH #2 AWG BARE TINNED COPPER CONDUCTOR. PROVIDE EXOTHERMIC WELDS AT BOTH THE ICE BRIDGE LEG AND BURIED GROUND RING. (ATT-TP-76416 7.4.2.6)
- DURING ALL DC POWER SYSTEM CHANGES INCLUDING DC SYSTEM CHANGE OUTS, RECTIFIER REPLACEMENTS OR ADDITIONS, BREAKER DISTRIBUTION CHANGES, BATTERY ADDITIONS, BATTERY REPLACEMENTS AND INSTALLATIONS OR CHANGES TO DC CONVERTER SYSTEMS IT SHALL BE REQUIRED THAT SERVICES CONTRACTORS VERIFY ALL DC POWER SYSTEMS ARE EQUIPPED WITH A MASTER DC SYSTEM RETURN GROUND CONDUCTOR FROM THE DC POWER SYSTEM COMMON RETURN BUS DIRECTLY CONNECTED TO THE CELL SITE REFERENCE GROUND BAR (CRGB) PER TP76300 SECTION H 6 AND TP76416 FIGURE 7-11 REQUIREMENTS.

AT&T Site ID:
UTL03026
546 OGDEN CANYON
OGDEN, UT 84401

Tower Owner:
 CROWN CASTLE
2055 SOUTH STEARMAN DRIVE
CHANDLER, AZ 85286

PREPARED FOR
 at&t Mobility
161 Inverness Drive West 2nd floor
Englewood, Colorado 80112

A&E:
 TELCYTE
INFRASTRUCTURE SERVICES
3450 N. HIGLEY RD. BLDG. 2, SUITE 102
MESA, AZ 85215

AT&T SITE NO: UTL03026
BU NO: 5800296
DRAWN BY: JM
CHECKED BY: CM

REV	DATE	DESCRIPTION
A	11/21/19	PRELIMINARY CDs
B	3/10/20	CLIENT COMMENTS

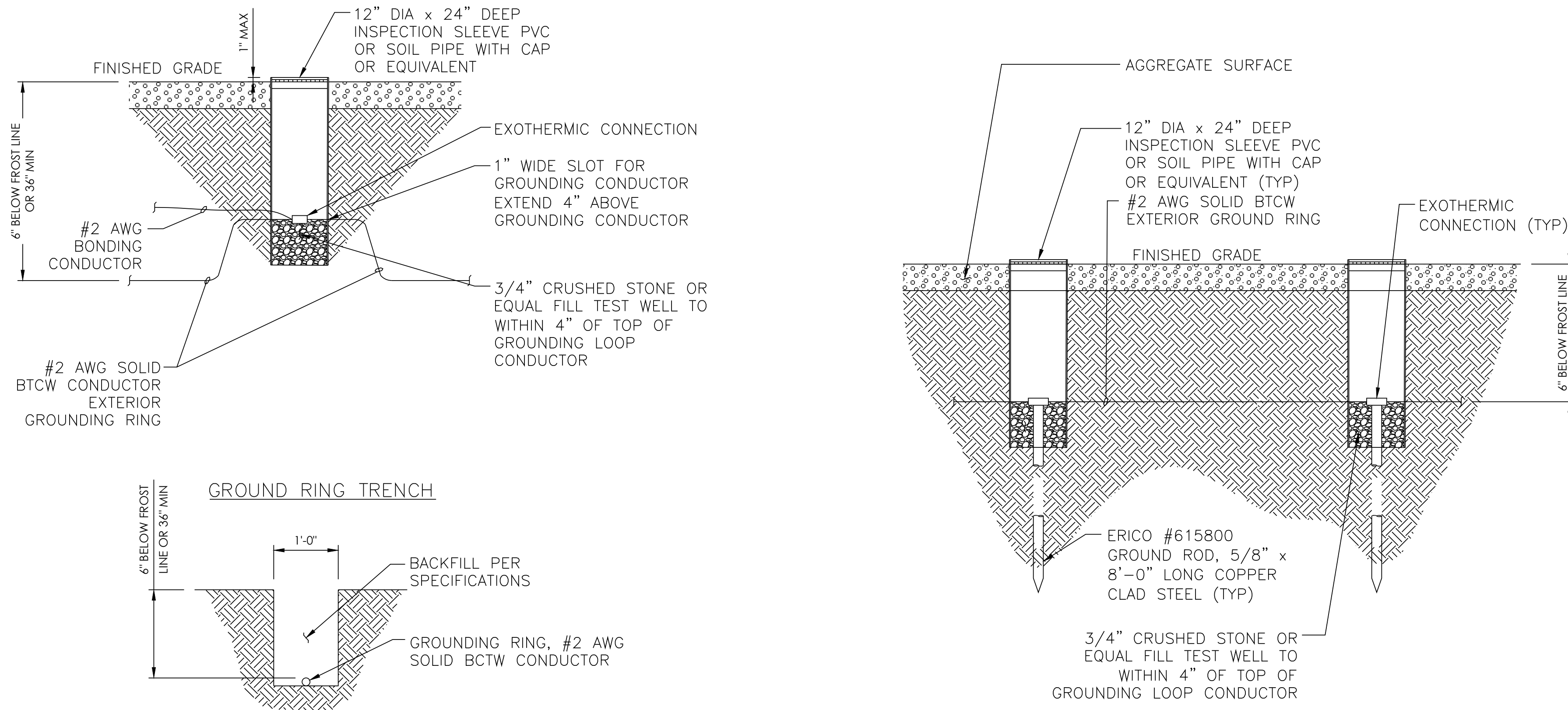
Licensor:

IT IS A VIOLATION OF LAW FOR ANY PERSON, UNLESS THEY ARE ACTING UNDER THE DIRECTION OF A LICENSED PROFESSIONAL ENGINEER, TO ALTER THIS DOCUMENT.

Issued For:
3/10/20
PRELIMINARY CDs

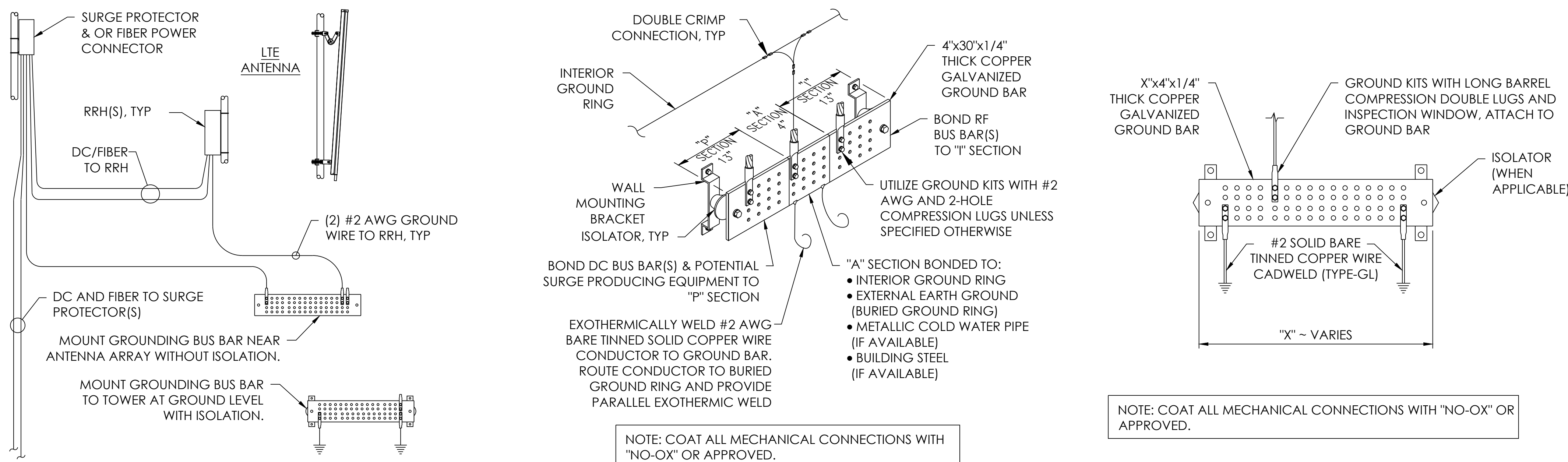
SHEET TITLE:
GROUNDING DETAILS

SHEET NUMBER:
G-2



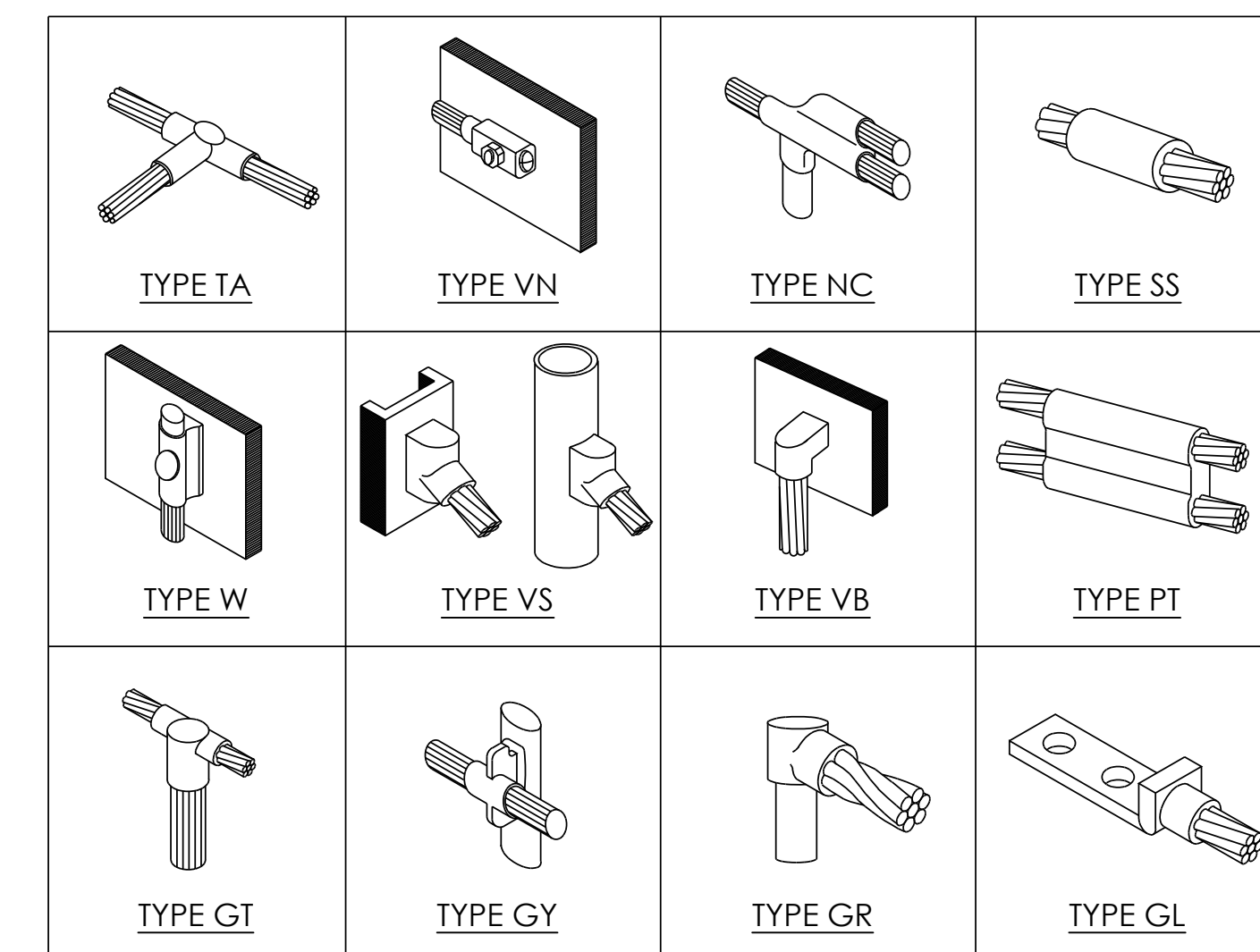
4 EXOTHERMIC WELD AND GROUND ROD WITH INSPECTION SLEEVE
N.T.S.

3 NOT USED
N.T.S.



2 GROUNDING DETAILS
N.T.S.

1 CAD WELD EXAMPLES
N.T.S.



NOTE: CADWELD "TYPES" SHOWN ABOVE ARE EXAMPLES - CONSULT WITH PROJECT MANAGER FOR SPECIFIC TYPES OF CADWELDS TO BE USED.

AT&T Site ID:
UTL03026
546 OGDEN CANYON
OGDEN, UT 84401

Tower Owner:
CROWN CASTLE
2055 SOUTH STEARMAN DRIVE
CHANDLER, AZ 85286

PREPARED FOR
at&t Mobility
161 Inverness Drive West 2nd floor
Englewood, Colorado 80112

A&E:
TELCYTE
INFRASTRUCTURE SERVICES
3450 N. HIGLEY RD. BLDG. 2, SUITE 102
MESA, AZ 85215

AT&T SITE NO: UTL03026
BU NO: 5800296
DRAWN BY: JM
CHECKED BY: CM

REV	DATE	DESCRIPTION
A	11/21/19	PRELIMINARY CDs
B	3/10/20	CLIENT COMMENTS

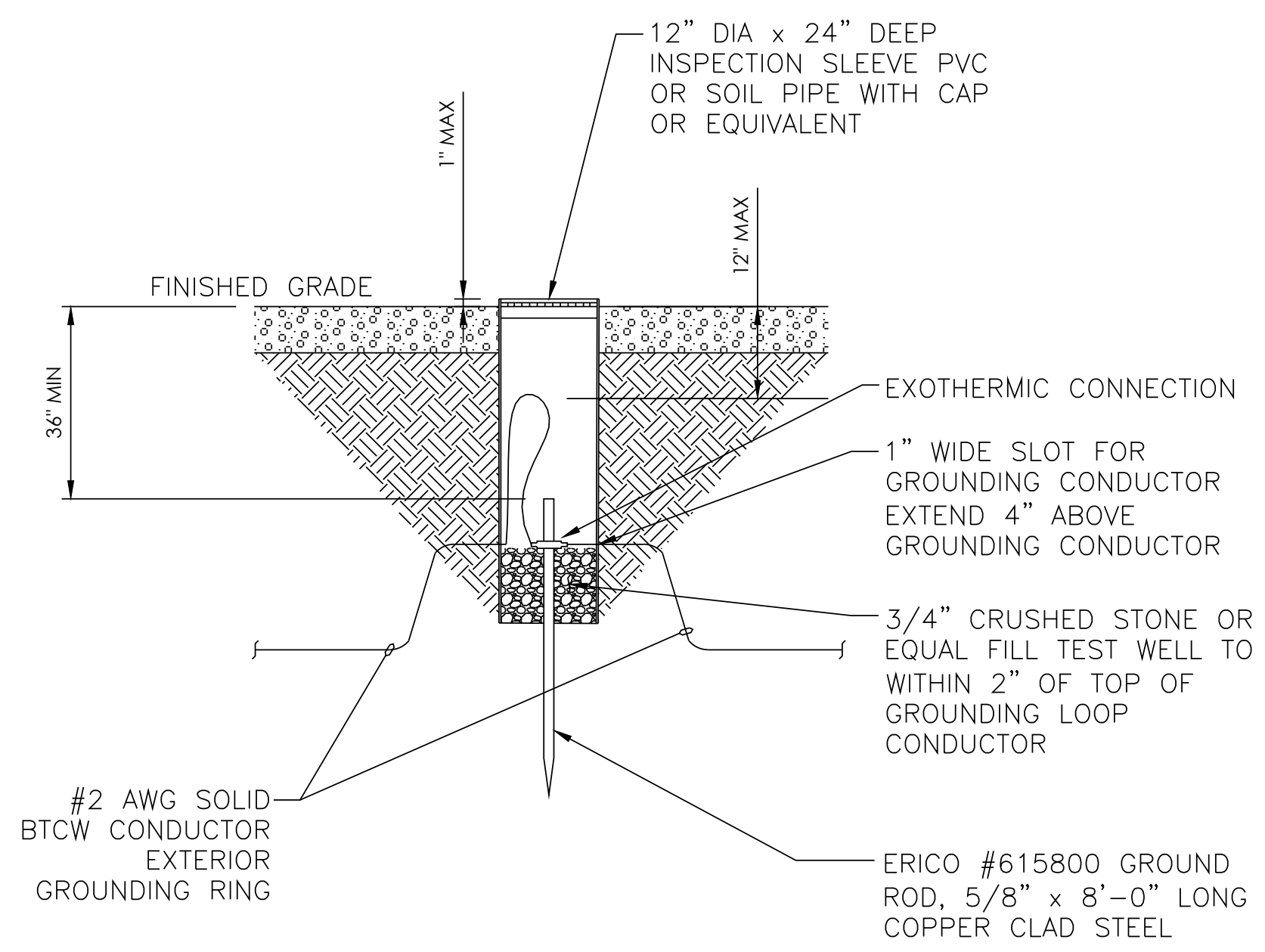
Licensor:

IT IS A VIOLATION OF LAW FOR ANY PERSON, UNLESS THEY ARE ACTING UNDER THE DIRECTION OF A LICENSED PROFESSIONAL ENGINEER, TO ALTER THIS DOCUMENT.

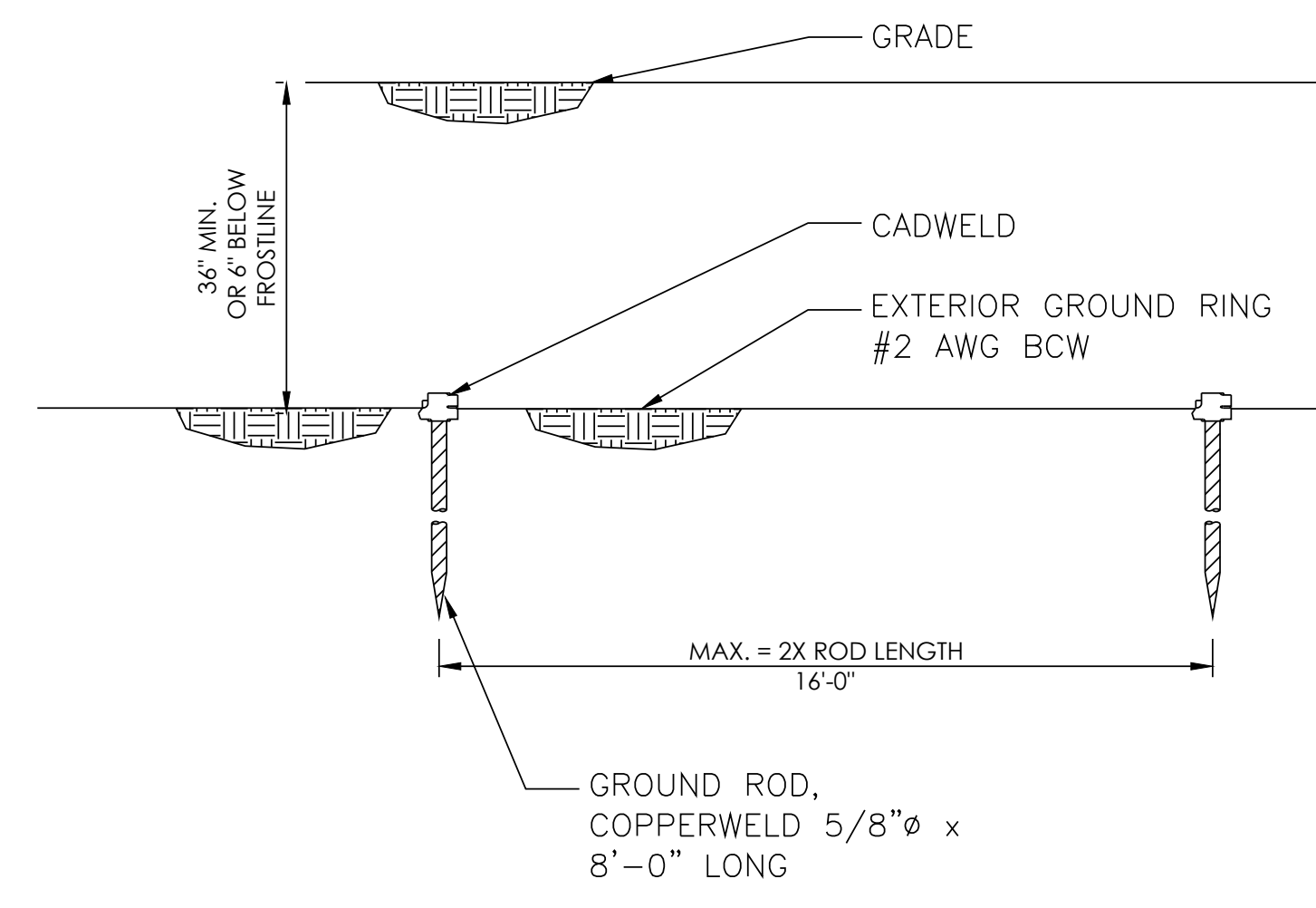
Issued For:
3/10/20
PRELIMINARY CDs

SHEET TITLE:
GROUNDING DETAILS

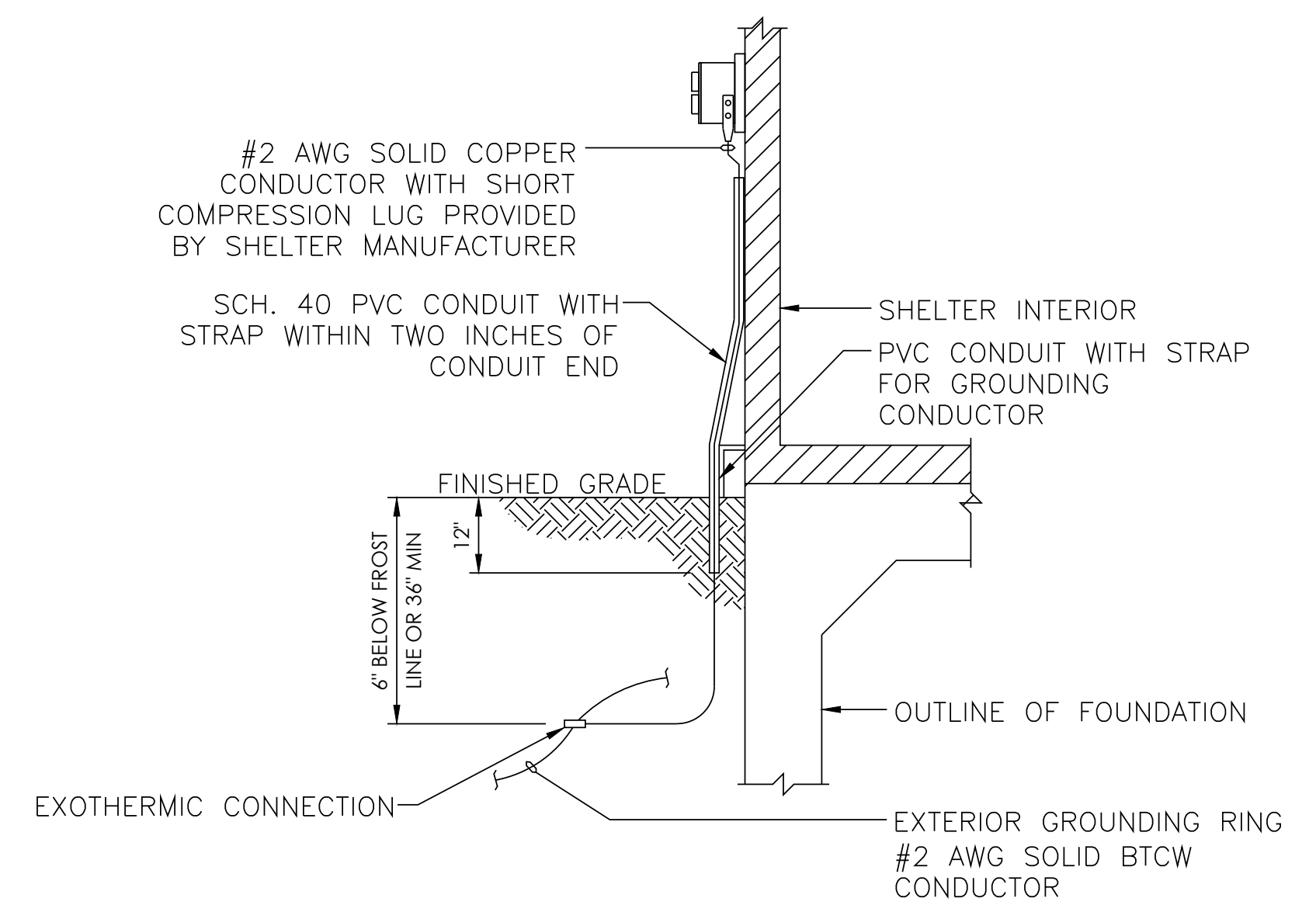
SHEET NUMBER:
G-3



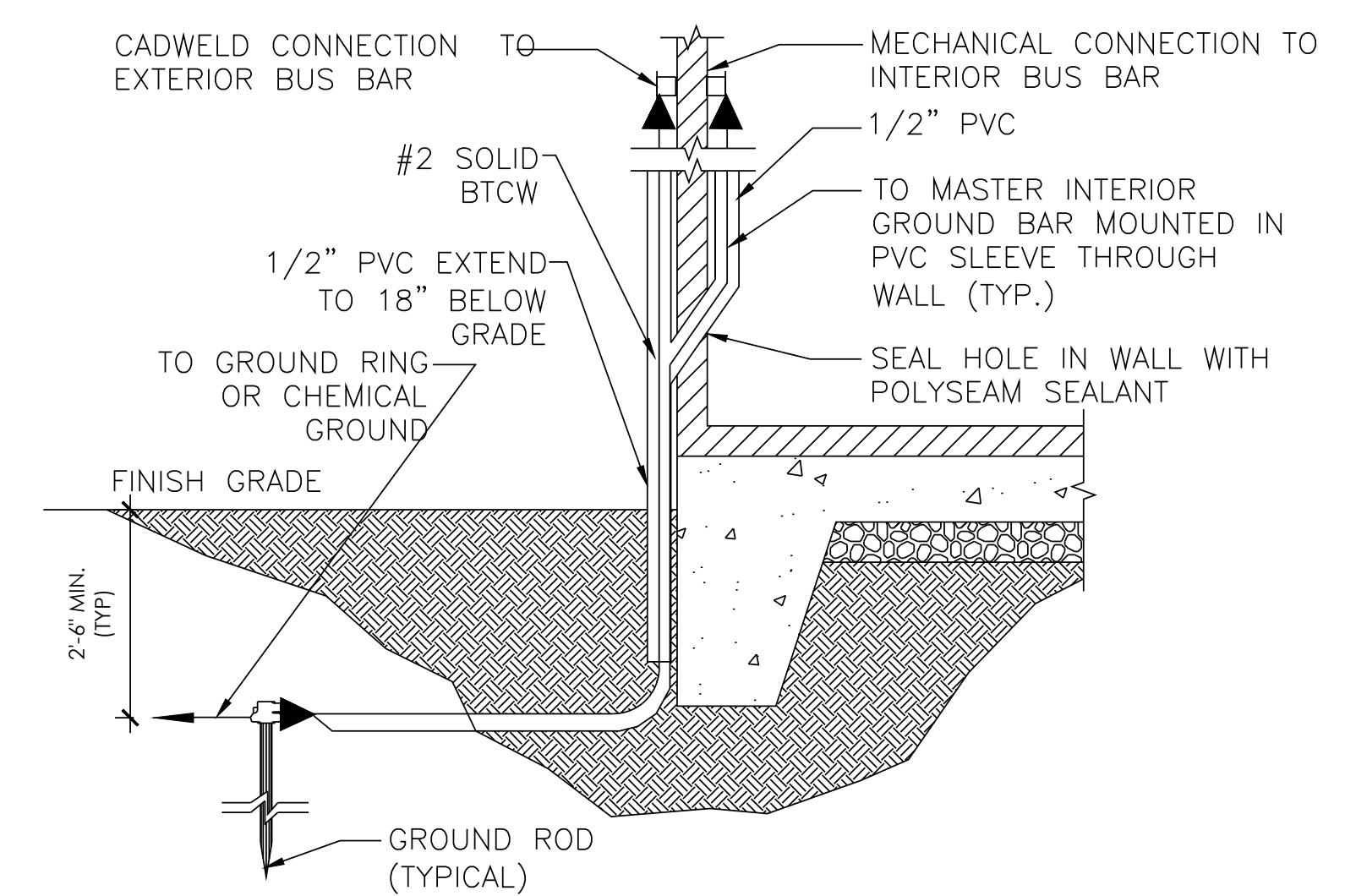
9 TEST GROUND ROD WITH INSPECTION SLEEVE
N.T.S.



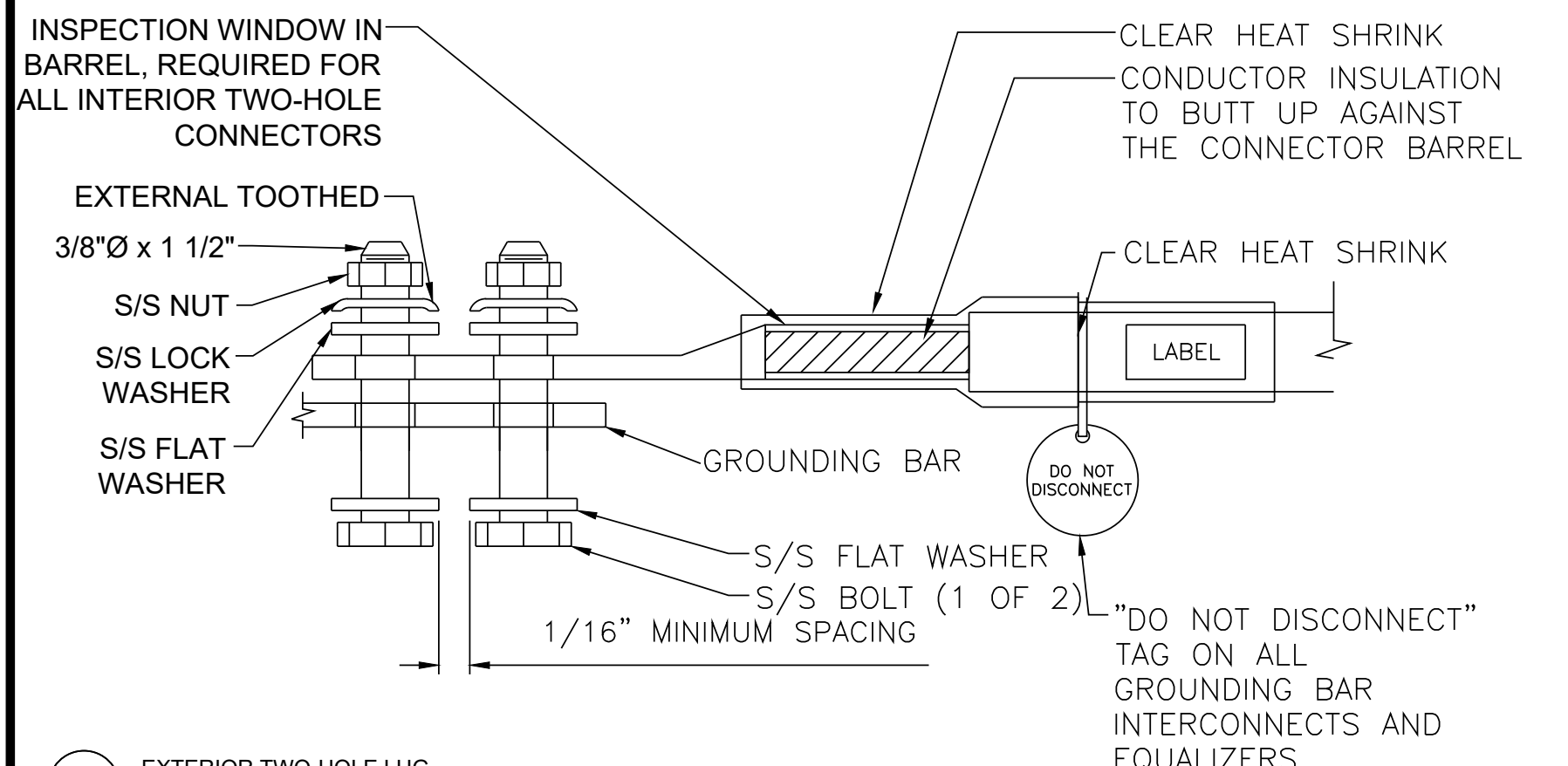
8 TYPICAL BURIED GROUND ROD
N.T.S.



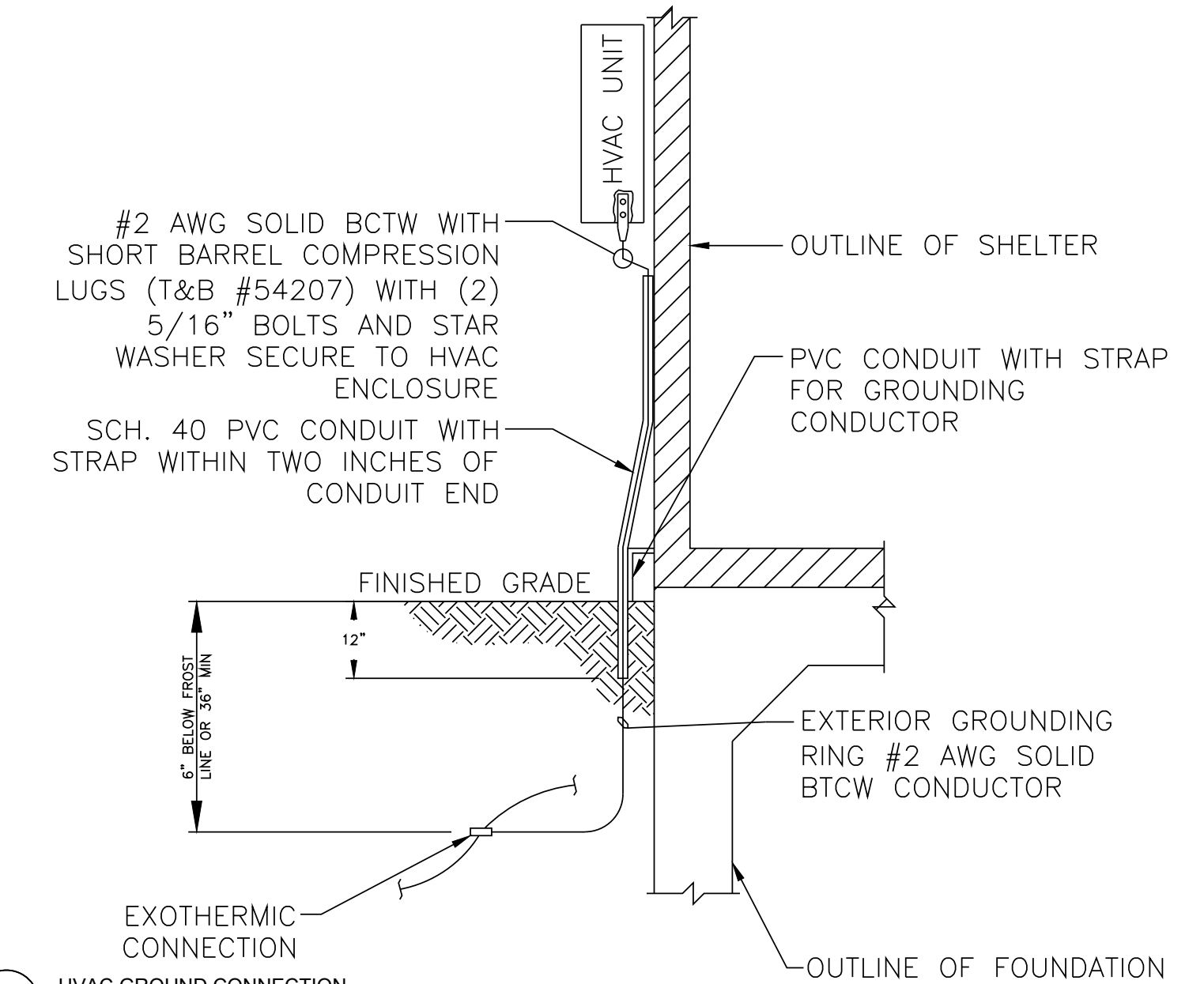
7 EXTERIOR RECEPTACLE GROUNDING
N.T.S.



4 SHELTER GROUND DETAIL
N.T.S.



3 EXTERIOR TWO-HOLE LUG
N.T.S.



2 HVAC GROUND CONNECTION
N.T.S.

1 NOT USED
N.T.S.

AT&T Site ID:
UTL03026
546 OGDEN CANYON
OGDEN, UT 84401

Tower Owner:
CROWN CASTLE
2055 SOUTH STEARMAN DRIVE
CHANDLER, AZ 85286

PREPARED FOR
at&t Mobility
161 Inverness Drive West 2nd floor
Englewood, Colorado 80112

A&E:
TELCYTE
INFRASTRUCTURE SERVICES
3450 N. HIGLEY RD, BLDG. 2, SUITE 102
MESA, AZ 85215

AT&T SITE NO: UTL03026
BU NO: 5800296
DRAWN BY: JM
CHECKED BY: CM

REV	DATE	DESCRIPTION
A	11/21/19	PRELIMINARY CDs
B	3/10/20	CLIENT COMMENTS

Licensor:

IT IS A VIOLATION OF LAW FOR ANY PERSON, UNLESS THEY ARE ACTING UNDER THE DIRECTION OF A LICENSED PROFESSIONAL ENGINEER, TO ALTER THIS DOCUMENT.

Issued For:
3/10/20
PRELIMINARY CDs

SHEET TITLE:
GROUNDING DETAILS

SHEET NUMBER:
G-4