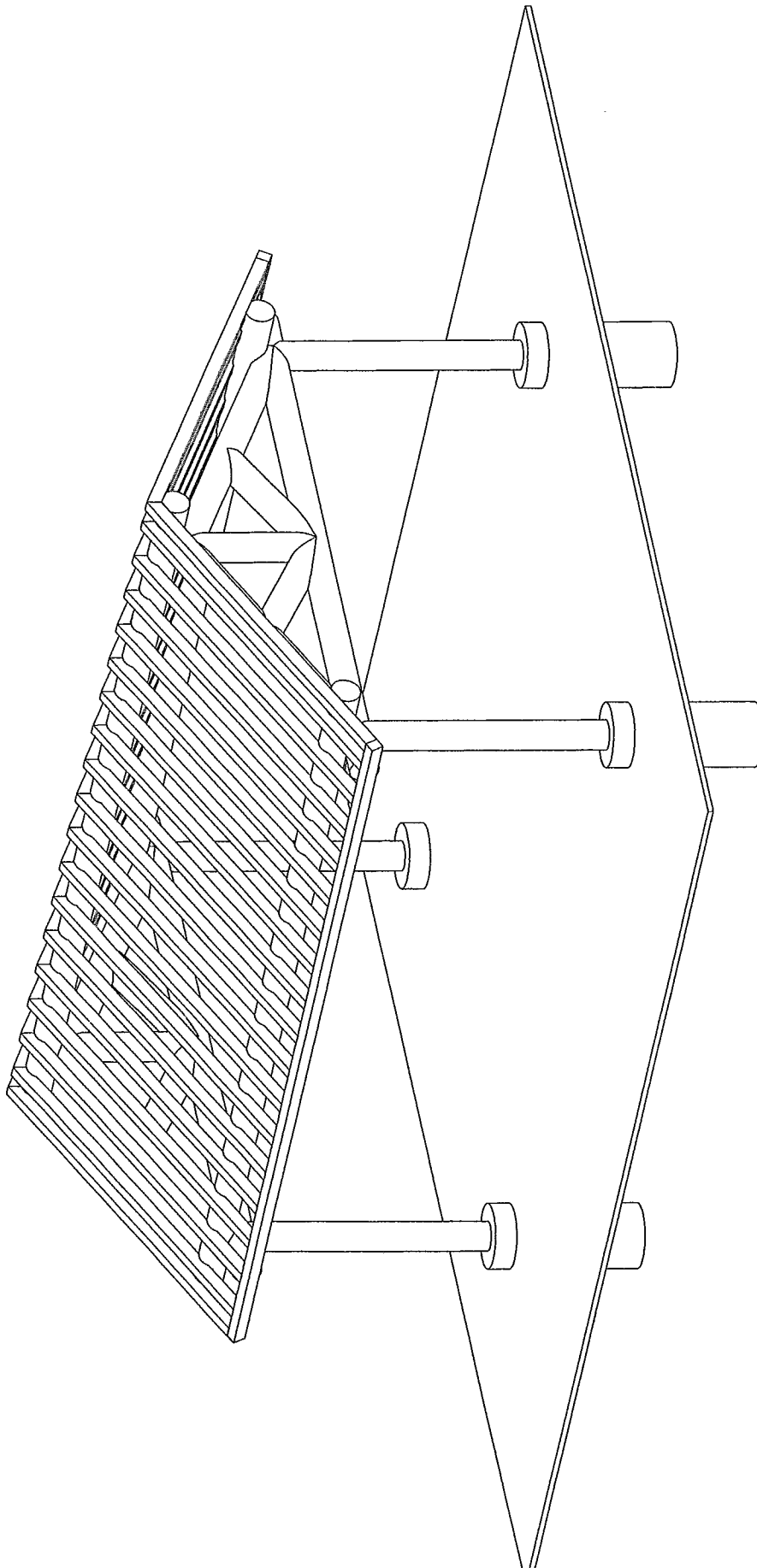


FRONT AND REAR ELEVATIONS

SCALE ————— 1/4"=1'-0"



METAL ROOFING

11" DIA. (AVERAGE) LOG PURLINS

