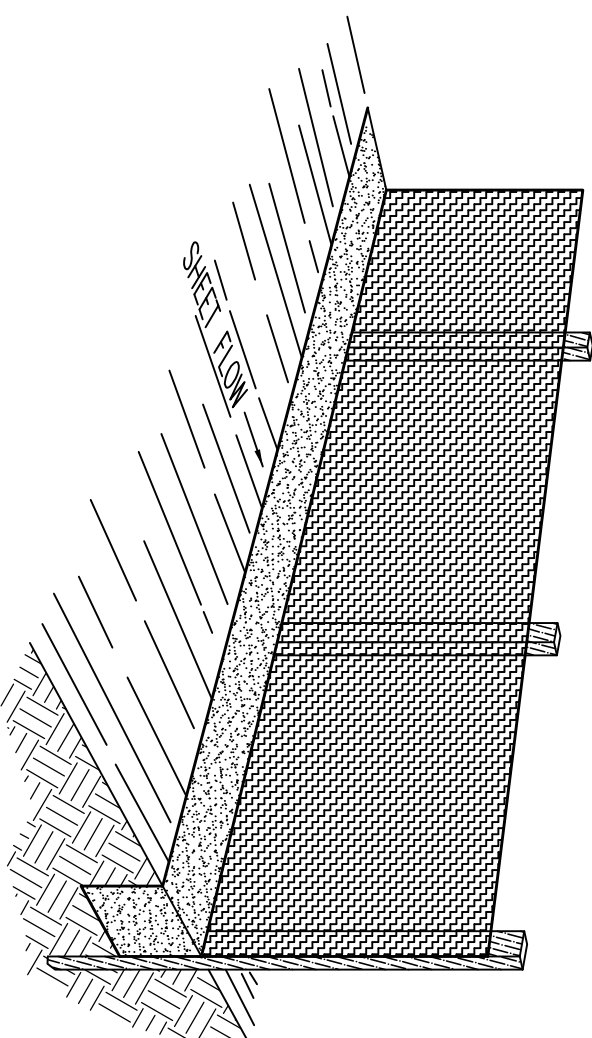
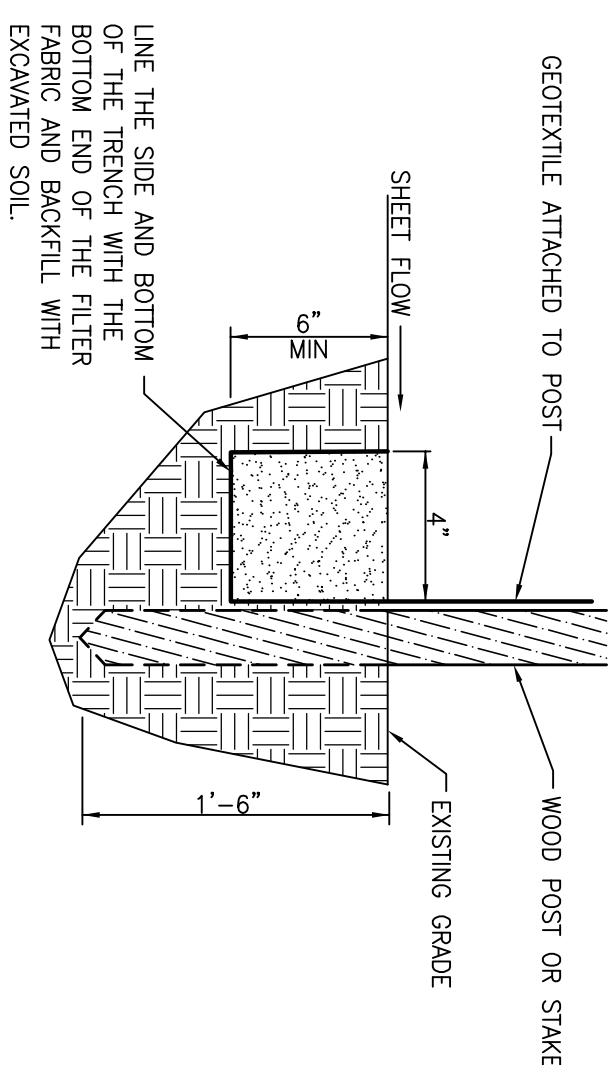


Notes:

1. Describe all BMP's to protect storm water inlets. All storm water inlets to be protected by straw wattle barriers, or gravel bags (see detail).
2. Describe BMP's to eliminate/reduce contamination of storm water from:
 - a. Equipment building/contactor wash areas.
 - b. Equipment stored on-site only and surrounded with silt fence barriers.
 - c. Soil contaminated by soil amendments.
 - d. Areas of contaminated soil.
 - e. Areas of contaminated soil found or generated, contact environmental engineer and contacts listed.
 - f. If any contaminants are found or generated, contact environmental engineer and contacts listed.
 - g. Fueling area:
 1. To be performed in designated areas only and surrounded with silt fence.
 2. Vehicle maintenance areas:
 - a. Vehicle performed in designated areas only and surrounded with silt fence.
 - b. Vehicle stored in designated areas only and surrounded with silt fence.
 3. To be performed in designated areas only and surrounded with silt fence.
 4. Equipment storage areas:
 - a. To be performed in designated areas only and surrounded with silt fence.
 - b. Materials storage areas:
 1. To be performed in designated areas only and surrounded with silt fence.
 2. Waste containment areas:
 - a. To be performed in designated areas only and surrounded with silt fence.
 - b. Service areas:
 1. To be performed in designated areas only and surrounded with silt fence.
3. BMP's for wind erosion:
 - a. Stockpiles and site as needed to be watered regularly to eliminate / control wind erosion
4. Construction Vehicles and Equipment:
 - a. Maintenance
 1. Maintain all construction equipment to prevent oil or other fluid leaks.
 2. Keep vehicles and equipment clean, prevent excessive build-up of oil and grease.
 3. Regularly inspect on-site vehicles and equipment for leaks, and repair immediately.
 4. Check incoming vehicles and equipment (including delivery trucks, and employee and subcontractor vehicles)
 1. For oil leaks, including oil, hydraulic oil, engine oil, and transmission fluids.
 2. Segregate and recycle wastes, such as greases, used oil or oil filters, antifreeze, cleaning solutions, automotive batteries, hydraulic, and transmission fluids.
 - b. Fueling
 1. If fueling must occur on-site, use designated areas away from drainage.
 2. Locate on-site fuel storage tanks within a bermed area designed to hold the tank volume.
 3. Cover retention area with an impervious material and install in a manner to ensure that any spills will be contained in the retention area. To catch spills or leaks when removing or changing fluids.
 4. Use drip pans for any oil or fluid changes.
 - c. Washing
 1. Use as little water as possible to avoid installing erosion and sediment controls for the wash area.
 2. If washing must occur on-site, use designated, bermed wash areas to prevent waste water discharge into storm water, creeks, rivers, and other water bodies.
 3. Use phosphate-free, biodegradable soaps.
 4. Do not permit steam cleaning on-site.
5. Spill Prevention and Control
 - a. Minor Spills: are those which are likely to be controlled by on-site personnel. After contacting local emergency response agencies, the following actions should occur upon discovery of a minor spill:
 1. Contain the spread of the spill.
 2. If the spill occurs on paved or impermeable surfaces, clean up using "dry" methods (i.e. absorbent materials, cat litter, and / or rags).
 3. If the spill occurs in dirt areas, immediately contain the spill by constructing an earth dike. Dig up property dispose of contaminated soil.
 4. If the spill occurs during rain, cover the impacted area to avoid runoff.
 - b. Major Spills:
 1. On-site personnel should not attempt to control major spills until the appropriate and qualified emergency response contractor is notified. A spill of Federal reportable quantities, also notify the National Response Center (800) 424-8802. A spill report should be sent to all notified authorities. Failure to report major spills can result in significant fines and penalties.
6. Post Roadway / Utility Construction
 - a. Maintain good housekeeping practices.
 - b. Enclose or cover building material storage areas.
 - c. Properly store materials such as points and solvents.
 - d. Store dry and wet materials under cover, away from drainage areas.
 - e. Avoid mixing excess amounts of fresh concrete or cement on-site.
 - f. Perform washout of concrete trucks off-site or in designated areas only.
 - g. Do not place concrete washout water on-site.
 - h. Do not place material or debris into streams, gutters or catch basins that stop or reduce the flow of runoff water.
 - i. All public streets and storm drain facilities shall be maintained free of building materials, mud and debris caused by grading or construction operations. Roads will be swept within 1000' of construction entrance daily, if necessary.
 - j. Install straw wattle around all inlets contained within the development and all others that receive runoff from the development.
7. Erosion Control Plan Notes
 - a. The contractor will designate an emergency contact that can be reached 24 hours a day 7 days a week.
 - b. The contractor will designate an emergency contact for the removal of all materials of construction.
 - c. Necessary materials shall be available on site and stockpiled at convenient locations to facilitate rapid construction of emergency devices when rain or runoff is eminent.
 - d. Erosion control devices shown on the plans and approved for the project may not be removed without approval of the engineer of record. If devices are removed, no work may continue that have the potential of erosion without consulting the engineer of record. If deemed necessary erosion control should be reestablished before this work begins.
 - e. Graded areas adjacent to fill slopes located at the site perimeter must drain away from the top of the slope at the conclusion of each working day. This should be confirmed by survey or other means acceptable to the engineer of record.
 - f. All soil and debris shall be removed from all devices within 24 hours after each rain or runoff event.
 - g. Except as otherwise approved by the inspector, all removable protective devices shown shall be in place at the end of each working day and through weekends until removal of the system is approved.
 - h. All loose soil and debris, which may create a potential hazard to offsite property, shall be removed from the site as directed by the Engineer of record of the governing agency.
 - i. The placement of additional devices to reduce erosion damage within the site is left to the discretion of the Engineer of record.
 - j. Resisting basins may not be removed or made inoperable without the approval of the engineer of record and the governing agency. Devices will be modified as need as the project progresses, and plans of these changes submitted for approval by the engineer of record and the governing agency.
8. Conduct a minimum of one inspection of the erosion and sediment controls every two weeks. Maintain documentation on site.
 - a. Part III.D.4 of general permit UTR300000 identifies the minimum inspection requirements.
 - b. Part III.D.4.C identifies the minimum inspection report requirements.
 - c. Failure to complete and/or document storm water inspections is a violation of part III.D.4 of Utah General Permit UTR 300000.



Perspective View



Section

INSTALLATION
The silt fence should be installed prior to major earthwork. The fabric should be placed across the slope along a line of uniform elevation wherever flow of sediment is anticipated. Table 1 shows generally-recommended maximum slope lengths (slope spacing between fences) at various site grades for most silt fence applications.

Slope Steepness (%)	Max. Slope Length (ft)
<2%	30.5m (100ft)
2-5%	22.9m (75ft)
5-10%	15.2m (50ft)
10-20%	7.6m (25ft)
>20%	4.5m (15ft)

PREFABRICATED SILT FENCE ROLLS
 *Fabricate a minimum 15.2cm x 15.2cm (6"x6") trench at the desired location.
 *Rolls should be placed on a firm, level surface against the downstream wall of the trench.
 *Adjacent rolls of silt fence should be joined by nesting the end post of one fence into the other. Before nesting the end posts, rotate each post until the geotextile is wrapped completely around the post, then shown in Figure 1.
 *Drive posts into the ground until the required fence height and/or anchorage depth is obtained.
 *Bury the loose geotextile at the bottom of the trench in the upstream trench and backfill with natural soil, tamping the backfill to the top of the trench.
 *Figure 2 illustrates a typical silt fence installation and anchor trench placement.

FIELD ASSEMBLY:
 *Fabricate a minimum 15.2cm x 15.2cm (6"x6") trench at the desired location.
 *Rolls should be placed on a firm, level surface against the downstream wall of the trench. Maximum post spacing should be 2.4-3.0m (8-10ft). Post spacing

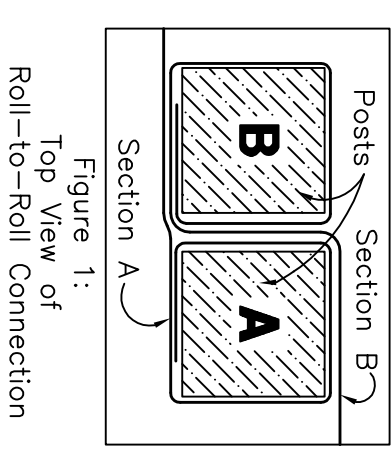
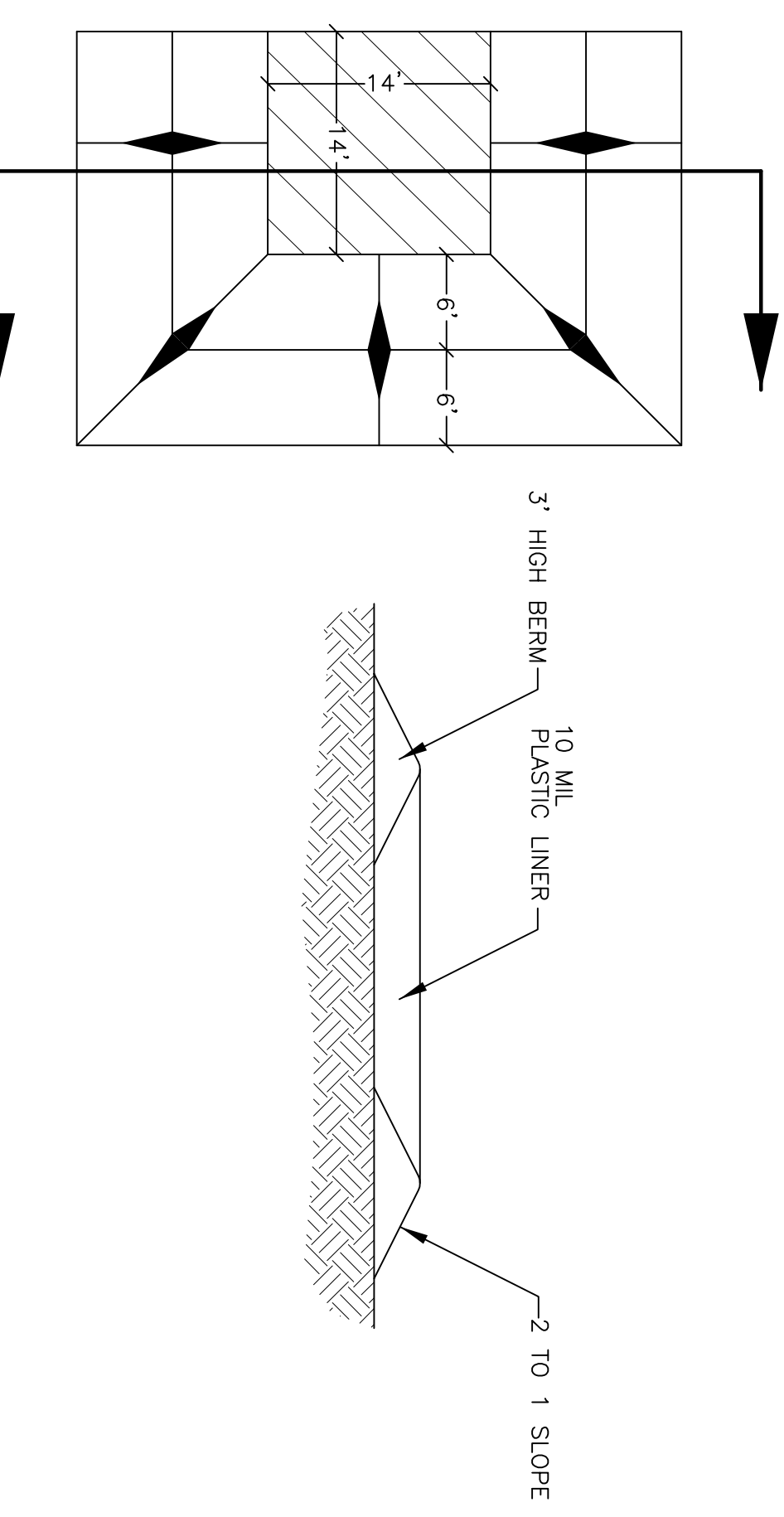


Figure 1: Top View of Roll-to-Roll Connection

Silt Fence Detail

SCALE: NONE



Concrete Washout Area w/ 10 mil Plastic Liner

SCALE: NONE

Reeve & Associates, Inc.
 4155 S. HARRISON BLVD., SUITE 310, OGDEN, UTAH 84403
 TEL: (801) 621-3100 FAX: (801) 621-2668 www.reeve-assoc.com
 LAND SURVEYORS • CIVIL ENGINEERS • LAND SURVEYORS
 TRAFFIC ENGINEERS • STRUCTURAL ENGINEERS • LANDSCAPE ARCHITECTS

REVISIONS	
DATE	DESCRIPTION

Jared Taylor Farms
 WEBER COUNTY, UTAH

Storm Water Pollution Prevention Plan Details

REGISTERED PROFESSIONAL ENGINEER
 STATE OF UTAH
 37528
 J. NATE REEVE, P.E.

Project Info.
 Engineer: J. NATE REEVE, P.E.
 Drafted: S. TAGGART
 Begin Date: DEC. 6, 2012
 Name: JARED TAYLOR FARMS
 SUBDIVISION
 Number: 3339-08
 Sheet: 2
 Sheets: 2