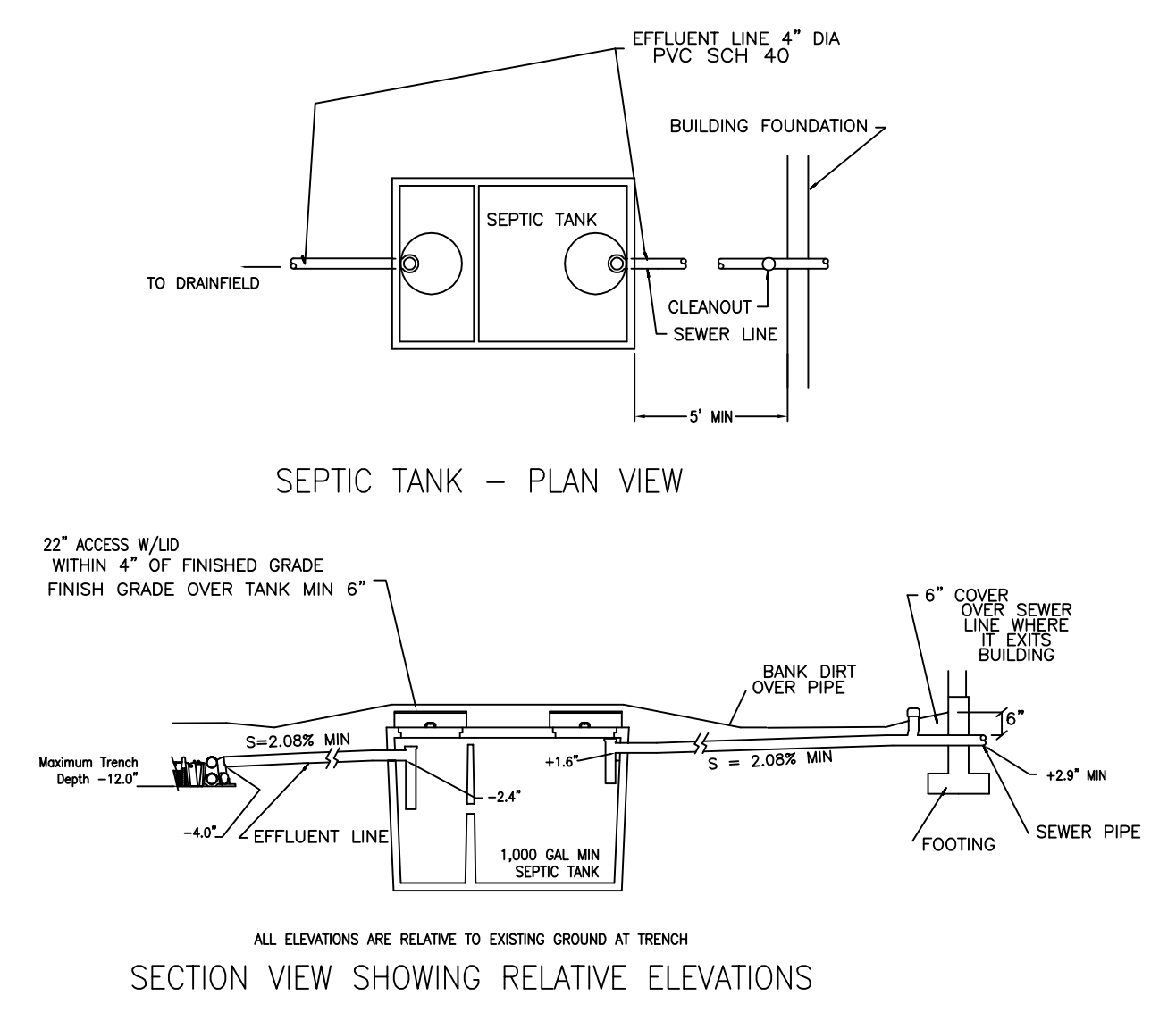


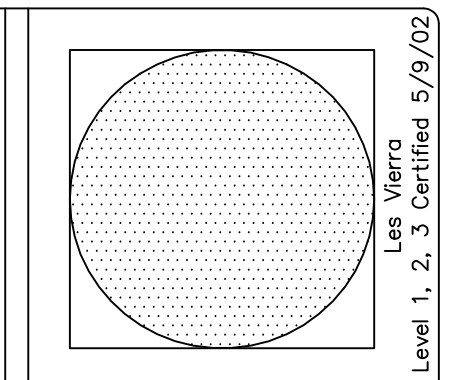
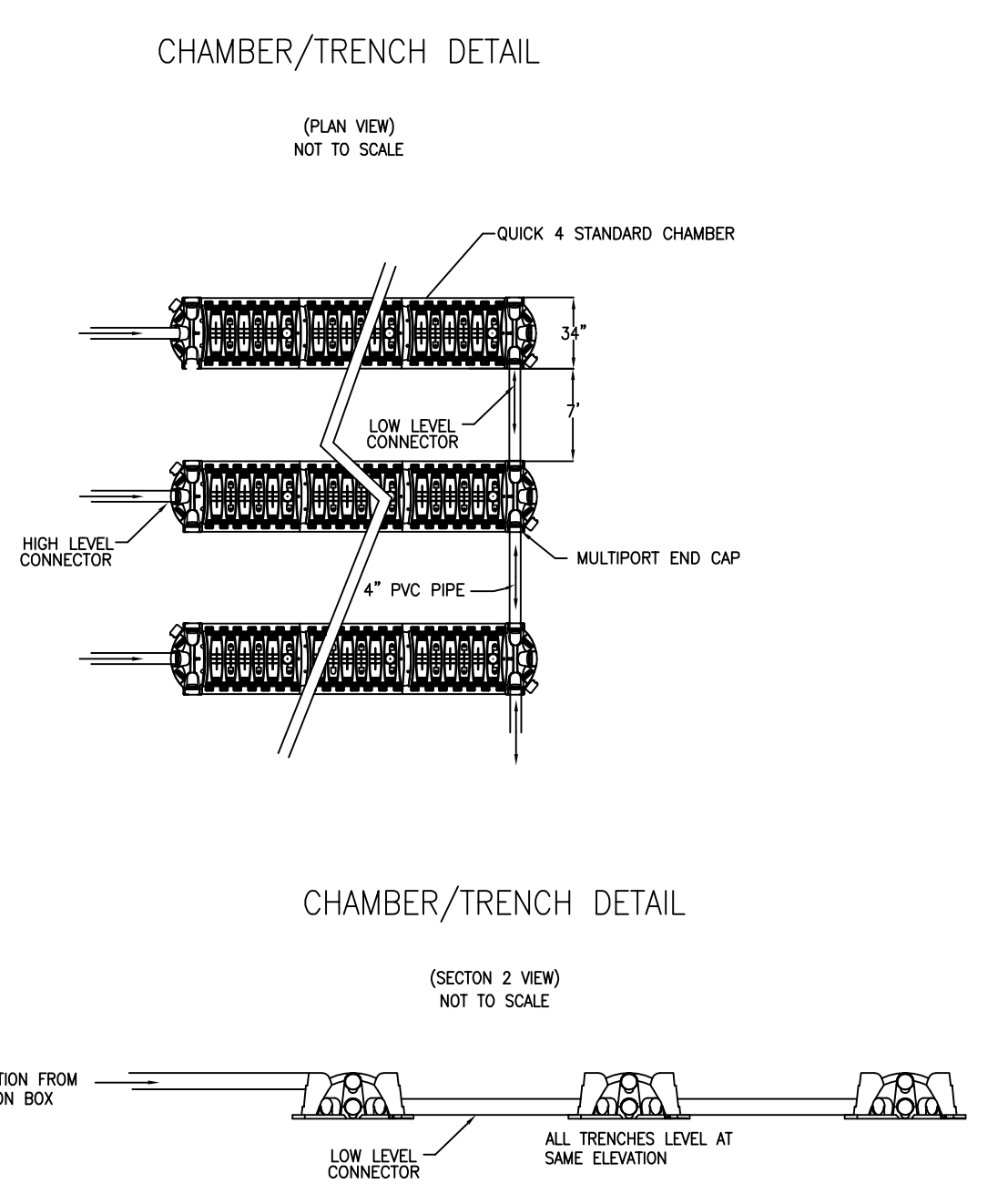
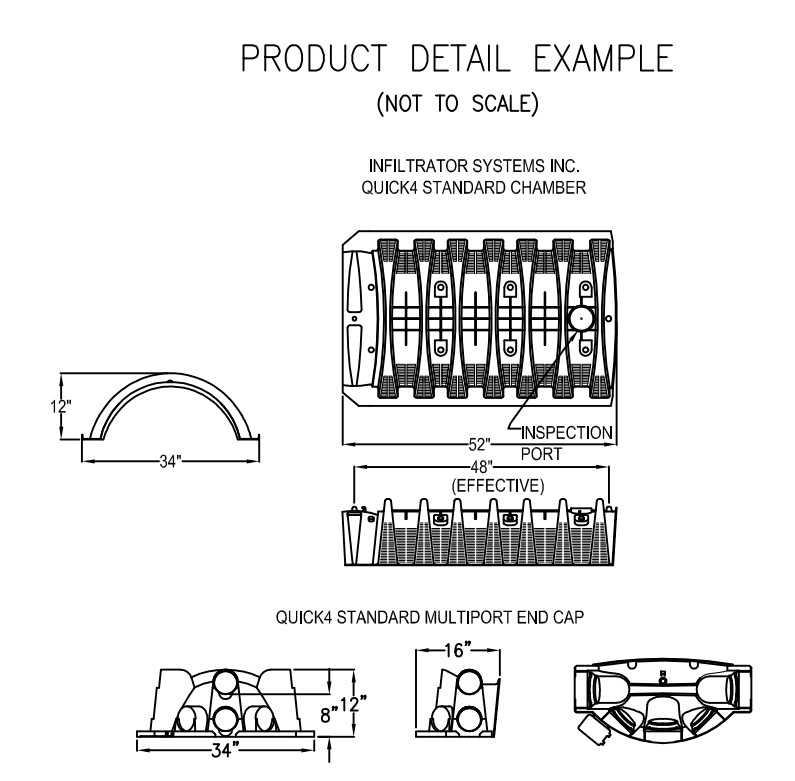
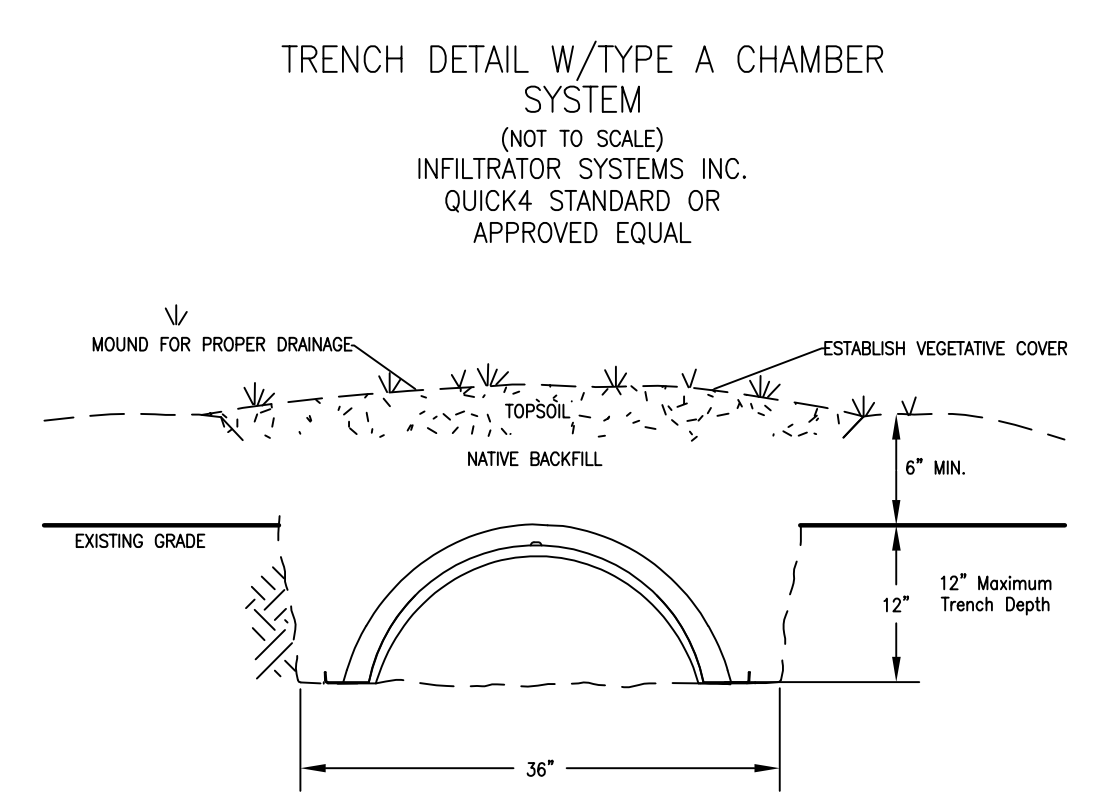
Scale 1" = 20 ft

- NOTES:
1. MAINTAIN 5' MIN OF UNDISTURBED EARTH BETWEEN TRENCH AND PROPERTY LINES, BUILDING FOUNDATION OR EXISTING TRENCH.
  2. MAINTAIN 5' MIN OF UNDISTURBED EARTH BETWEEN SEPTIC TANK AND BUILDING FOUNDATION.
  3. MAINTAIN 50' MIN SEPARATION BETWEEN SEPTIC TANK AND WATER WELL.
  4. MAINTAIN 100' SEPARATION BETWEEN ANY TRENCH AND RIVER, SPRING OR CATCH BASIN.

Absorption Area Design Data		
Bedrooms	2	
Septic Tank Rqd	1,000	Gallons
Est. Wastewater Qty.	300	gal/day
Perc Rate	5	MPI
Hydraulic Loading Rate	0.9	gal/day/sf
Absorption Area Rqd	333	ft <sup>2</sup>
w/Chamber Reduction	233	ft <sup>2</sup>
Trench Width	3	ft
Chamber Length Rqd	78	ft
Chamber Length Planned	80	ft



- Notes:
1. Install approved septic tank.
  2. Inlets and outlets shall meet the material and diameter requirements for building sewers and shall be tee-ed or baffled with the object of diverting incoming flow toward the tank bottom and minimizing as much as possible the discharge of sludge or scum in the effluent.
  3. Inlets and outlets should be located at opposite ends of the tank. The invert of flow line of the inlet shall be located at least two inches (preferable three inches) above the invert of the outlet to allow for momentary rise in liquid level during discharge to the tank.
  4. An inlet baffle or sanitary tee of wide sweep design shall be provided to divert the incoming sewage downward. This baffle or tee is to penetrate at least six inches below the liquid level, but the penetration is not to be greater than that allowed for the outlet device.
  5. Outlet baffles or sanitary tees shall extend below the liquid surface a distance of approx 40 percent of the liquid depth.
  6. All inlet and outlet devices shall be permanently fastened in a vertical, rigid position. Inlet and outlet pipe connections to the septic tank shall be sealed with a bonding compound that will adhere to the tank and pipes to for watertight connections, or watertight sealing rings.
  7. Adequate access to the tank and pipes to for watertight inspection and cleaning.



REV	BY	DATE	DESCRIPTION

**River Logic llc**  
 3517 N Elkridge Trail  
 Eden, UT 84310  
 (801) 745-3655  
 Civil Designs  
 (801) 391-7481

Applicant: **Mike Rypien**  
 4794 E 2600 North  
 Ogden, UT 84014  
 (801) 549-8483

Project: **PARCEL 20-032-0002**  
 627 E Ogden Canyon  
 Ogden, Utah

Date: 7/12/18  
 Scale: 1" = 20'  
 Drawn: LV  
 Checked: LV

**SHEET**