

PUMP SCHEDULE

SYMBOL	SERVICE	LOCATION	TYPE	CATALOG DATA		SELECTION		DISCHARGE PIPE SIZE (IN)	BASIN SIZE (DIA.xH)	MOTOR			OPER. WEIGHT EACH (LBS)	REMARK
				MANUFACTURER	MODEL TYPE	FLOW (GPM)	HEAD (FT.)			HP	RPM	VOLT/PH/HZ		
	BASEMENT SEWAGE	BASEMENT	DUPLEX SEWAGE EJECTOR	ZOELLER	4293	42	40	2"	48"x60"	1	3450	230/1/60	96	①②③④

① W/ DUPLEX CONTROL MODEL. NEMA 4X, W/ ALARM AND 3-EA 20' FLOAT SWITCHES. ⑥ PROVIDE PUMP RAIL REMOVAL SYSTEM.

② 2" CAST IRON-UNICHECK VALVE FEMALE N.P.T. ENDS

③ VERIFY VOLTAGE & PHASE WITH ELECTRICAL ENGINEER/CONTRACTOR.

PIPE MATERIAL SCHEDULE

SERVICE	PIPE	FITTINGS	LOCATION	REMARKS
WASTE & VENT WASTE	CAST IRON HUBLESS	CAST IRON HUBLESS ABS	ABOVE GRADE BELOW GRADE/ CRAWL SPACE	
HOT AND COLD WATER	COPPER TYPE "L" HARD DRAWN	WROUGHT COPPER	ABOVE GRADE	
COLD WATER	COPPER TYPE "K" HARD DRAWN	WROUGHT COPPER	BELOW GRADE	
CONDENSATE DRAIN	COPPER TYPE "M" HARD DRAWN	WROUGHT COPPER	ABOVE GRADE	
ROOF DRAIN	CAST IRON HUBLESS	CAST IRON HUBLESS	ABOVE GRADE BELOW GRADE	
OVERFLOW DRAIN	ABS	ABS	ABOVE GRADE	
GAS	BLACK STEEL SCH. 40 YELLOW POLY PIPE	MALLABLE IRON YELLOW POLY PIPE	ABOVE GRADE BELOW GRADE	OBTAIN APPROVAL FROM INSPECTOR FOR THE USE OF YELLOW POLY PIPE PIPE OUTSIDE THE BLDG.
PUMP DISCHARGE	PVC SCH40	PVC SCH40	ABOVE GRADE BELOW GRADE	

NOTE: ALL MATERIALS SHALL BE IAPMO LISTED OR LEAD FREE.

PIPING SOUND ISOLATION NOTES

- FOR SUPPLY WATER PIPING 1" DIAMETER OR SMALLER, USE THE "ACOUSTO-PLUMB" SYSTEM OF ORANGE AND BLUE PLASTIC PIPE ISOLATORS, HOLDERS, AND GUIDES AS MANUFACTURED BY "SPECIALTY PRODUCTS" COMPANY OR EQUAL.
 MOST COMMONLY USED ISOLATORS BY "SPECIALTY PRODUCTS":
 A. TYPE "AE" - CHROME OR PLASTIC SCUTCHEON, "ACOUSTO-SCUTCHEON".
 B. TYPE "AC" - ISOLATED CLAMP WITH SCREW ATTACHMENT, "ACOUSTO-CLAMP."
 C. TYPE "AL" - ISOLATED SPLITTED PIPE SLEEVE, "ACOUSTO-LATOR."
 D. TYPE "AS" - ISOLATED PIPE SLEEVE. "ACOUSTO-SLEEVE".
- ISOLATE WASTE PIPES AND SUPPLY WATER PIPES MORE THAN 1" IN DIAMETER WITH THE "STONEMAN TRISOLATOR SYSTEM" OF PIPE ISOLATORS, AS MANUFACTURED BY "STONEMAN ENGINEERING AND MANUFACTURING" OR EQUAL.
- USE ISOLATED PIPE CLEVIS HANGER, SIMILAR TO "TOLCO" CLEVIS HANGER WITH FELT LINING.
- THIN-WALLED COPPER WASTE AND DRAIN PIPING MUST BE COMPLETELY WRAPPED USING ACOUSTICAL PIPE WRAP.
- DO NOT ALLOW THE PIPING, PIPE CONNECTORS, PIPE HANGERS, OR VALVES TO DIRECTLY TOUCH THE STRUCTURE, STUDS, GYPSUM BOARD, OR OTHER PIPES.
- INSTALL 3-1/2" BATT INSULATION IN OTHERWISE UNINSULATED STUD AND JOIST SPACES CONTAINING WATER PIPING.
- DO NOT LOCATE SUPPLY OR WASTE WATER PIPES CLOSER THAN 2" FROM GYPSUM BOARD IN WALLS OR CEILINGS OF ACOUSTICALLY SENSITIVE ROOMS, SUCH AS LIVING ROOMS, DINNING ROOMS AND BEDROOMS.
- IN NO CASE SHOULD THE PLUMBING PIPING OF ONE UNIT BE CLOSER THAN 1" OF ANOTHER UNIT.
- NO STRAP HANGERS, PUNCHED TAPE OR WIRES WILL BE ACCEPTED.
- BRANCH WATER PIPING IN PARTITIONS AND CHASES SHALL BE ADEQUATELY SUPPORTED USING SPECIFIED HANGERS AND CLAMPS. PROVIDE NECESSARY STEEL BACKING PLATES OR CHANNELS ANCHORED TO STUDS, FLOORS, OR PLUMBING VENTS, IN AN APPROVED MANNER. ISOLATE PIPING FROM STRUCTURE AND OTHER PIPING AND BUILDING COMPONENTS WITH "ACOUSTO-PLUMB" PRODUCTS.

POWDER MOUNTAIN HOUSE

OWNER:
TOM BUTTGENBACH
8645 EASET COPPER CREST
EDEN, UT 84310

ARCHITECT:
TOM WISCOMBE ARCHITECTURE

2404 WILSHIRE BLVD., SUITE 4B
LOS ANGELES, CA 90037
(213) 674-7285
WWW.TOMWISCOMBE.COM

STRUCTURAL ENGINEER:
NOUS

527 W 7TH STREET
LOS ANGELES, CA 90014
(213) 627-6687
WWW.NOUSENGINEERING.COM

CIVIL ENGINEER:
TALISMAN

5217 SOUTH STATE STREET
MORGAN, UT 84057
(801) 743-1300
WWW.TALISMANCIVIL.COM

MECHANICAL / PLUMBING:
SHAMIM

5530 CORBIN AVE. SUITE 300
SARASOTA, FL 34235
(813) 788-6778
WWW.SHAMIMENGINEERING.COM

ELECTRICAL:
ABRARI ENGINEERING

GLENDALE, CA
(714) 458-7894
WWW.ABRARI.COM

NGBS CONSULTING:
ARGENTO/GRAHAM

811 WEST 7TH STREET, 10TH FLOOR
LOS ANGELES, CA 90017
(323) 538-2578
WWW.ARGENTOGRAHAM.COM

GEOTECHNICAL:
IGES

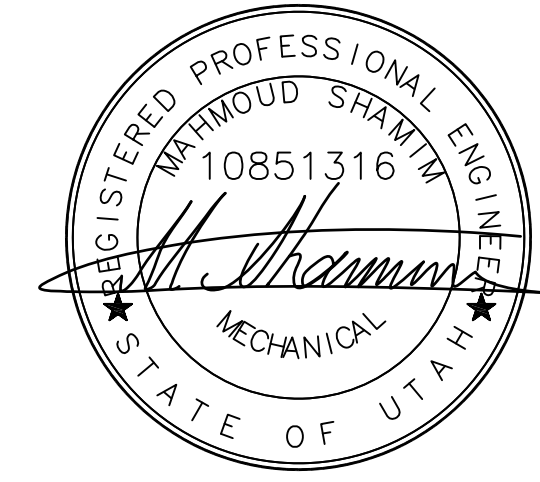
2702 SOUTH 1030 WEST SUITE 10
SOUTH SALT LAKE, UT 84020
(801) 270-9400
WWW.IGESINC.COM

LANDSCAPE ARCHITECT:
LDG

328 W 200 S SUITE 102
SALT LAKE CITY, UT 84101
(801) 583-1295

LIGHTING DESIGNER:
KGM

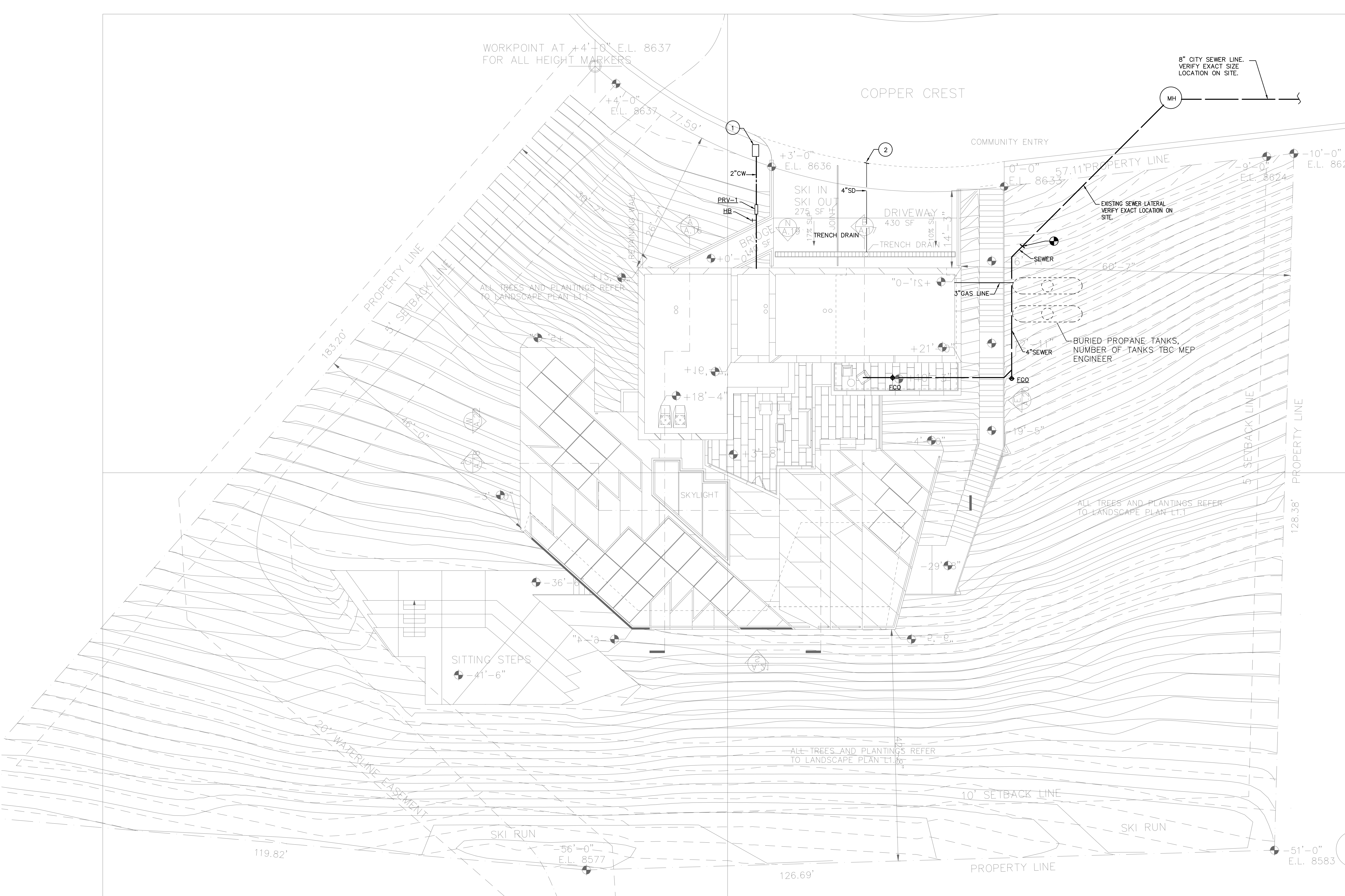
328 W 200 S SUITE 102
SALT LAKE CITY, UT 84101
(801) 583-1295
WWW.KGMLIGHTING.COM



EXP:03-31-2021

SCHEDULES, NOTES, & LEGEND

REVISIONS:	BY:	DATE:	DATE:
			02/15/2019
		SCALE:	DRAWN:
		AS SHOWN	G.F.
		SHEET:	
			P0.2



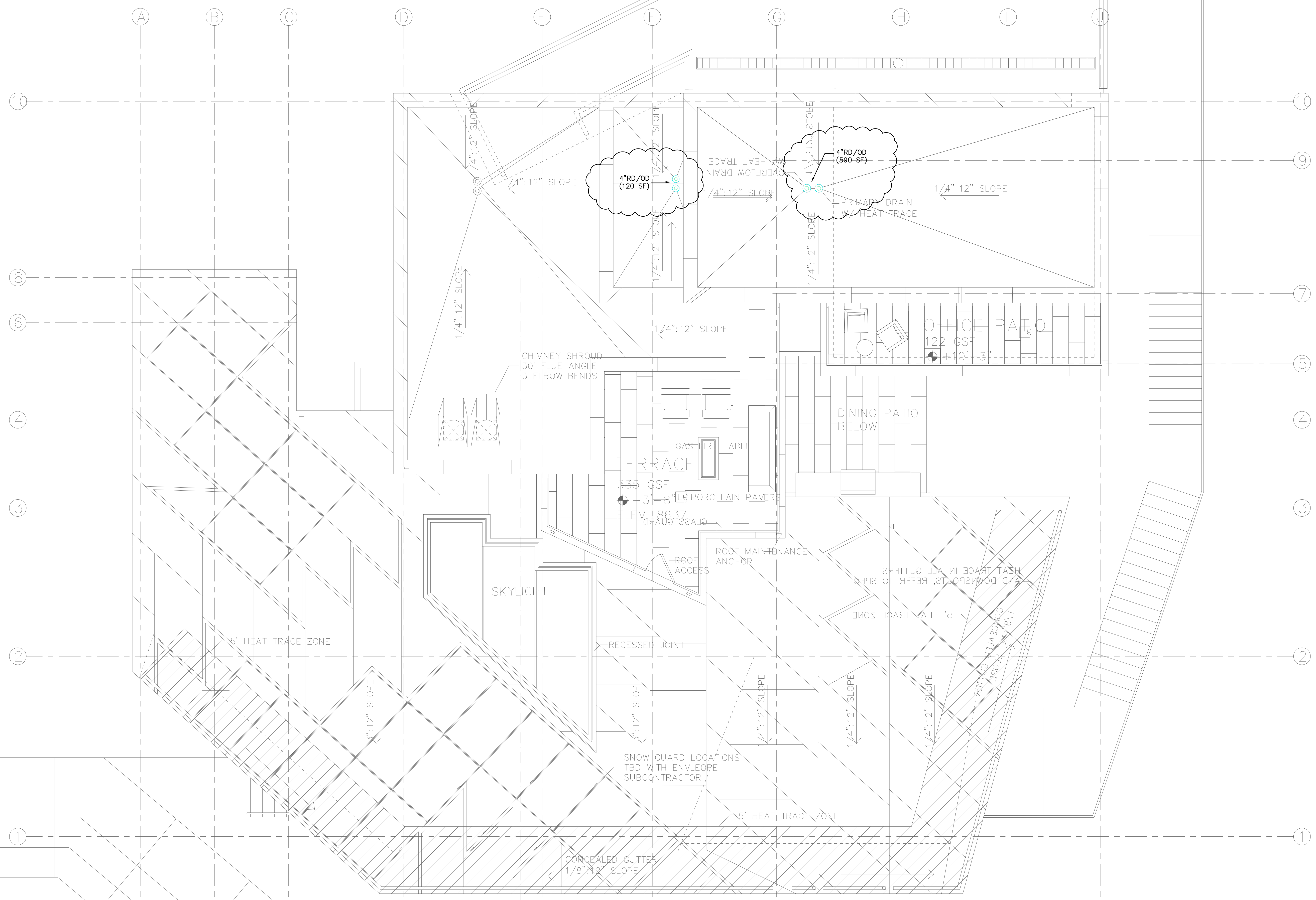
POWDER MOUNTAIN HOUSE

OWNER: **TOM BUTTGENBACH**
8645 EASET COPPER CREST
EDEN, UT 84310

ARCHITECT: TOM WISCOMBE ARCHITECTURE <small>2454 WILSHIRE BLVD., SUITE 48 LOS ANGELES, CA 90057 (213) 674-2238 WWW.TOMWISCOMBE.COM</small>	STRUCTURAL ENGINEER: NOUS <small>527 W 7TH STREET LOS ANGELES, CA 90014 (213) 627-6887 WWW.NOUSENGINEERING.COM</small>	CIVIL ENGINEER: TALISMAN <small>5277 SOUTH STATE STREET MURRAY, UT 84107 (801) 745-1300 WWW.TALISMANCIVIL.COM</small>	MECHANICAL / PLUMBING: SHAMIM <small>5520 CORBIN AVE, SUITE 300 IRVINE, CA 92618 (949) 788-6778 WWW.SHAMIMENGINEERING.COM</small>	ELECTRICAL: ABRARI ENGINEERING <small>CLENDALE, CA (714) 456-7894 WWW.ABRARI.COM</small>	NGBS CONSULTING: ARGENTO/GRAHAM <small>811 WEST 7TH STREET, 10TH FLOOR LOS ANGELES, CA 90017 (323) 536-2578 WWW.ARGENTOGRAHAM.COM</small>	GEOTECHNICAL: IGES <small>2702 SOUTH 1030 WEST SUITE 10 SALT LAKE CITY, UT 84120 (801) 270-9400 WWW.IGESINC.COM</small>	LANDSCAPE ARCHITECT: LDG <small>328 W 200 S SUITE 102 SALT LAKE CITY, UT 84101 (801) 583-1255</small>	LIGHTING DESIGNER: KGM <small>328 W 200 S SUITE 102 SALT LAKE CITY, UT 84101 (801) 583-1255 WWW.KGMLIGHTING.COM</small>
--	--	---	---	--	---	---	---	---



SITE PLAN			
REVISIONS:	BY:	DATE:	DATE:
			02/15/2019
			SCALE: AS SHOWN
			DRAWN: G.F.
			SHEET:
			P1.0



SCALE: 1/4" = 1'-0"

POWDER MOUNTAIN HOUSE

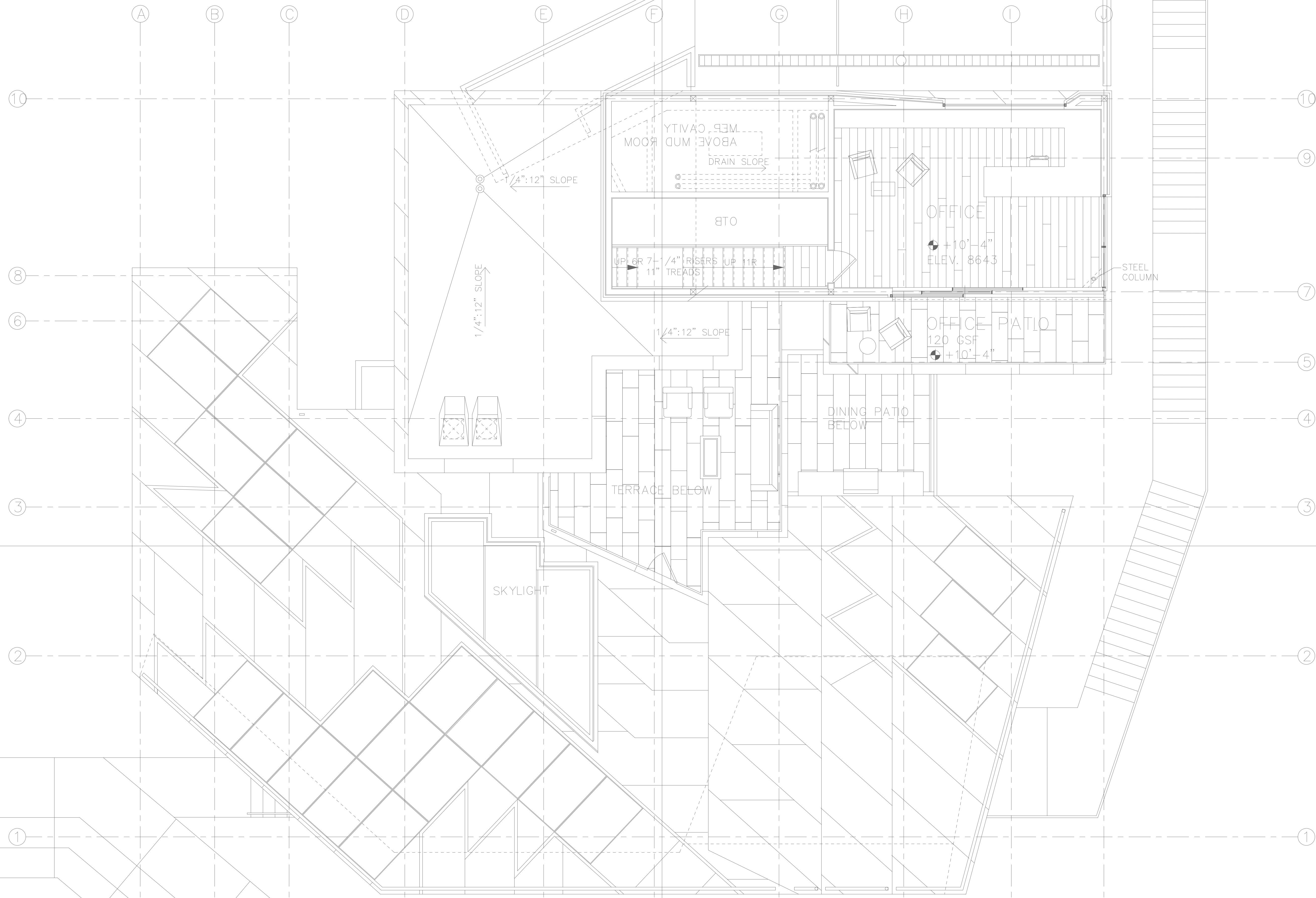
OWNER:
TOM BUTTGENBACH
 8645 EASET COPPER CREST
 EDEN, UT 84310

ARCHITECT: TOM WISCOMBE ARCHITECTURE <small>2454 WILSHIRE BLVD., SUITE 48 LOS ANGELES, CA 90057 (213) 674-2238 WWW.TOMWISCOMBE.COM</small>	STRUCTURAL ENGINEER: NOUS <small>527 W 7TH STREET LOS ANGELES, CA 90014 (213) 627-6887 WWW.NOUSENGINEERING.COM</small>	CIVIL ENGINEER: TALISMAN <small>527 W 7TH STREET MURRAY, UT 84107 (801) 745-1300 WWW.TALISMANCIVIL.COM</small>	MECHANICAL / PLUMBING: SHAMIM <small>5520 CORBIN AVE., SUITE 300 IRVINE, CA 92618 (949) 788-6778 WWW.SHAMIMENGINEERING.COM</small>	ELECTRICAL: ABRARI ENGINEERING <small>CLENDALE, CA (714) 456-7894 WWW.ABRARI.COM</small>	NGBS CONSULTING: ARGENTO/GRAHAM <small>911 WEST 7TH STREET, 10TH FLOOR LOS ANGELES, CA 90017 (323) 536-2578 WWW.ARGENTOGRAHAM.COM</small>	GEOTECHNICAL: IGES <small>2702 SOUTH 1030 WEST SUITE 10 SALT LAKE CITY, UT 84120 (801) 270-9400 WWW.IGESINC.COM</small>	LANDSCAPE ARCHITECT: LDG <small>328 W 200 S SUITE 102 SALT LAKE CITY, UT 84101 (801) 583-1255 WWW.WISGMLIGHTING.COM</small>	LIGHTING DESIGNER: KGM <small>328 W 200 S SUITE 102 SALT LAKE CITY, UT 84101 (801) 583-1255 WWW.WISGMLIGHTING.COM</small>
---	---	---	---	--	--	--	--	--



ROOF PLAN

REVISIONS:	BY:	DATE:	DATE:
			02/15/2019
			SCALE: AS SHOWN
			DRAWN: G.F.
			SHEET:
			P2.0



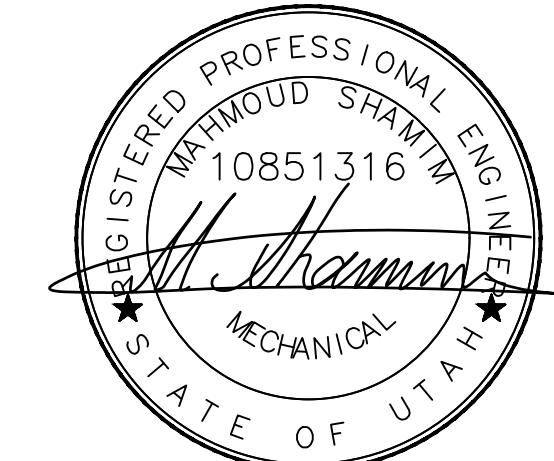
SCALE: 1/4" = 1'-0"

(WATER & GAS)
PENTHOUSE LEVEL

POWDER MOUNTAIN HOUSE

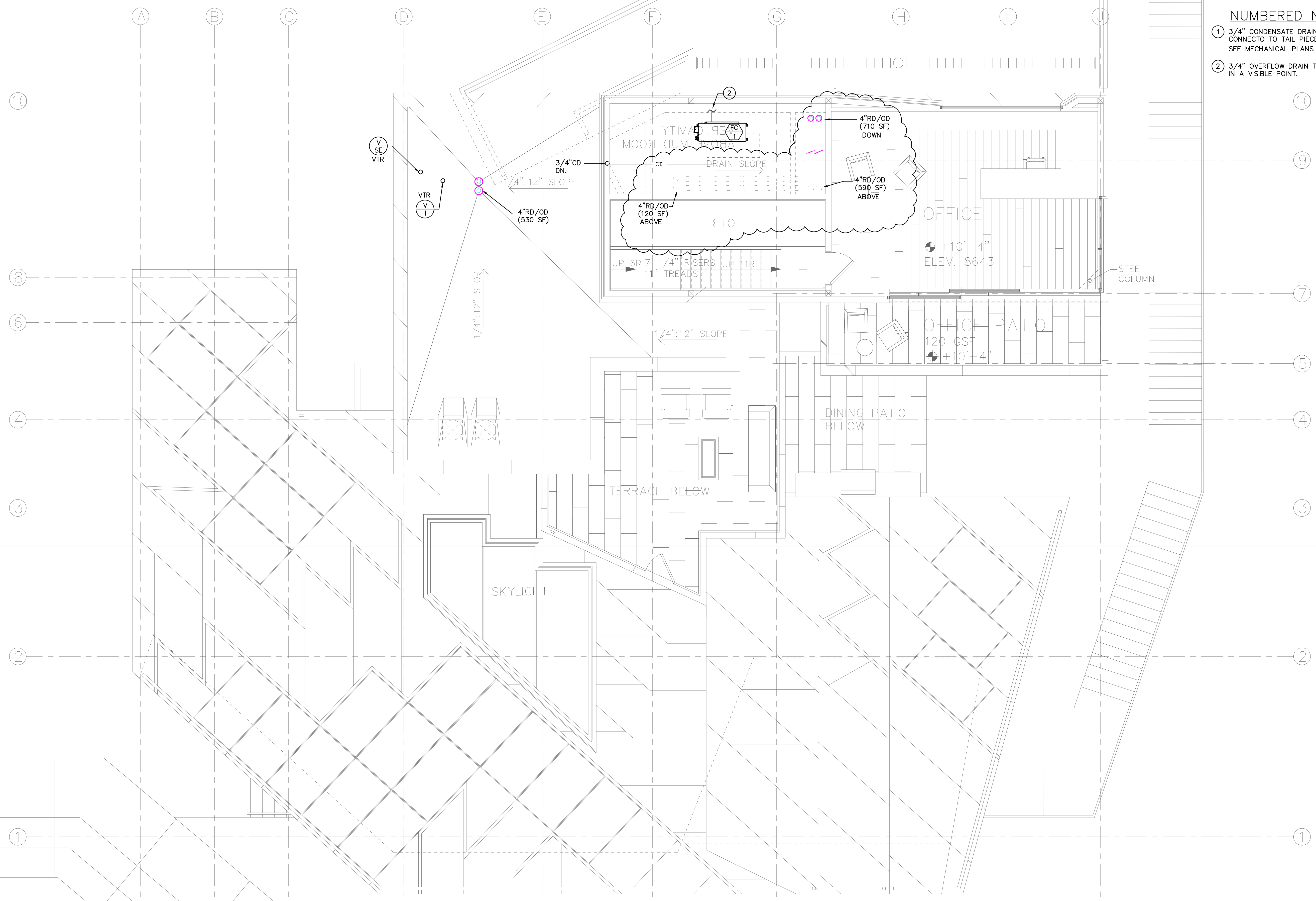
OWNER:
TOM BUTTGENBACH
8645 EASET COPPER CREST
EDEN, UT 84310

ARCHITECT: TOM WISCOMBE ARCHITECTURE <small>2424 WILSHIRE BLVD., SUITE 48 LOS ANGELES, CA 90057 (213) 674-2238 WWW.TOMWISCOMBE.COM</small>	STRUCTURAL ENGINEER: NOUS <small>527 W 7TH STREET LOS ANGELES, CA 90014 (213) 627-6887 WWW.NOUSENGINEERING.COM</small>	CIVIL ENGINEER: TALISMAN <small>5217 SOUTH STATE STREET MURRAY, UT 84107 (801) 745-1300 WWW.TALISMANOVILL.COM</small>	MECHANICAL / PLUMBING: SHAMIM <small>5520 CORBIN AVE, SUITE 300 IRVINE, CA 92618 (949) 788-6778 WWW.SHAMIMENGINEERING.COM</small>	ELECTRICAL: ABRARI <small>CLENDALE, CA (714) 456-7894 WWW.ABRARI.COM</small>	NGBS CONSULTING: ARGENTO/GRAHAM <small>911 WEST 7TH STREET, 10TH FLOOR LOS ANGELES, CA 90017 (323) 536-2578 WWW.ARGENTOGRAHAM.COM</small>	GEOTECHNICAL: IGES <small>2702 SOUTH 1030 WEST SUITE 10 SALT LAKE CITY, UT 84120 (801) 270-9400 WWW.IGESINC.COM</small>	LANDSCAPE ARCHITECT: LDG <small>328 W 200 S SUITE 102 SALT LAKE CITY, UT 84101 (801) 583-1255</small>	LIGHTING DESIGNER: KGM <small>328 W 200 S SUITE 102 SALT LAKE CITY, UT 84101 (801) 583-1255 WWW.KGMLIGHTING.COM</small>
--	--	---	---	--	---	---	---	---



EXP:03-31-2021

REVISIONS:	BY:	DATE:	DATE:
			02/15/2019
			SCALE: AS SHOWN
			DRAWN: G.F.
			SHEET:
			P3.0



- NUMBERED NOTES:**
- ① 3/4" CONDENSATE DRAIN DOWN TO FLOOR BELOW AND CONNECT TO TAIL PIECE OF LAVATORY. SEE MECHANICAL PLANS FOR EXACT LOCATION OF UNITS.
 - ② 3/4" OVERFLOW DRAIN TERMINATE ABOVE SHOWER OR IN A VISIBLE POINT.

SCALE: 1/4"= 1'-0"

(WASTE & VENT)

REVISIONS:		BY:	DATE:	DATE:
				02/15/2019
				SCALE: AS SHOWN
				DRAWN: G.F.
				SHEET:
				P3.1

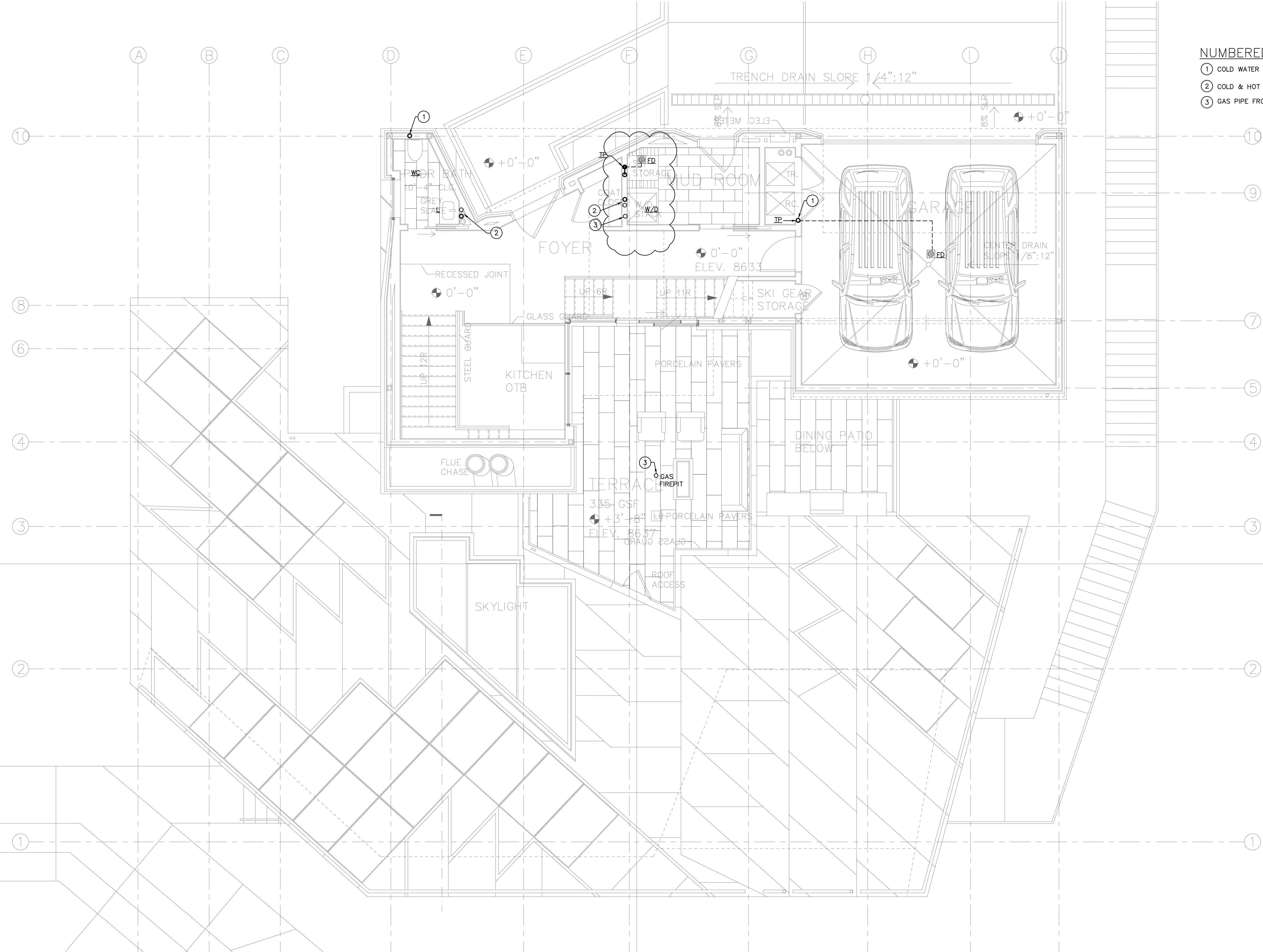
POWDER MOUNTAIN HOUSE OWNER: **TOM BUTTGENBACH**
8645 EASET COPPER CREST EDEN, UT 84310

<p>ARCHITECT: TOM WISCOMBE ARCHITECTURE 2424 WILSHIRE BLVD., SUITE 48 LOS ANGELES, CA 90057 (213) 674-2238 WWW.TOMWISCOMBE.COM</p>	<p>STRUCTURAL ENGINEER: NOUS 527 W 7TH STREET MURRAY, UT 84107 (215) 627-6887 WWW.NOUSENGINEERING.COM</p>	<p>CIVIL ENGINEER: TALISMAN 527 W 7TH STREET MURRAY, UT 84107 (801) 745-1300 WWW.TALISMANCIVIL.COM</p>	<p>MECHANICAL / PLUMBING: SHAMIM 5520 CORBIN AVE., SUITE 300 IRVINE, CA 92618 (949) 788-6778 WWW.SHAMIMENGINEERING.COM</p>	<p>ELECTRICAL: ABRARI ENGINEERING CLEVELAND, OH (216) 456-7894 WWW.ABRARI.COM</p>	<p>NGBS CONSULTING: ARGENTO/GRAHAM 811 WEST 7TH STREET, 10TH FLOOR LOS ANGELES, CA 90017 (323) 536-2578 WWW.ARGENTOGRAHAM.COM</p>	<p>GEOTECHNICAL: IGES 2702 SOUTH 1030 WEST SUITE 102 SALT LAKE CITY, UT 84120 (801) 270-9400 WWW.IGESINC.COM</p>	<p>LANDSCAPE ARCHITECT: LDG 328 W 200 S SUITE 102 SALT LAKE CITY, UT 84101 (801) 583-1255</p>	<p>LIGHTING DESIGNER: KGM 328 W 200 S SUITE 102 SALT LAKE CITY, UT 84101 (801) 583-1255 WWW.KGMLIGHTING.COM</p>
--	---	--	--	---	---	--	---	---



NUMBERED NOTES:

- ① COLD WATER FROM BELOW.
- ② COLD & HOT WATER FROM BELOW.
- ③ GAS PIPE FROM BELOW.



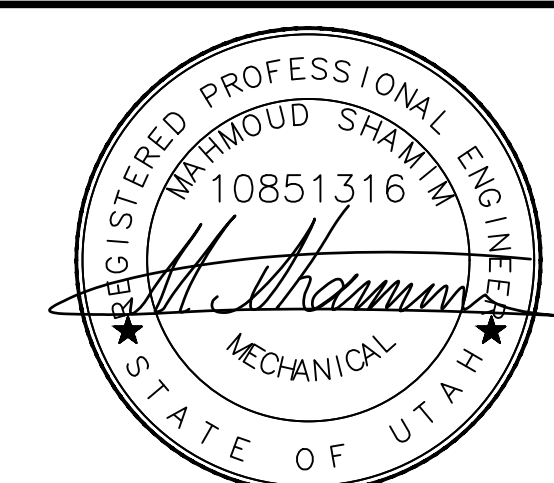
SCALE: 1/4" = 1'-0"

**(WATER & GAS)
ENTRY LEVEL**

POWDER MOUNTAIN HOUSE

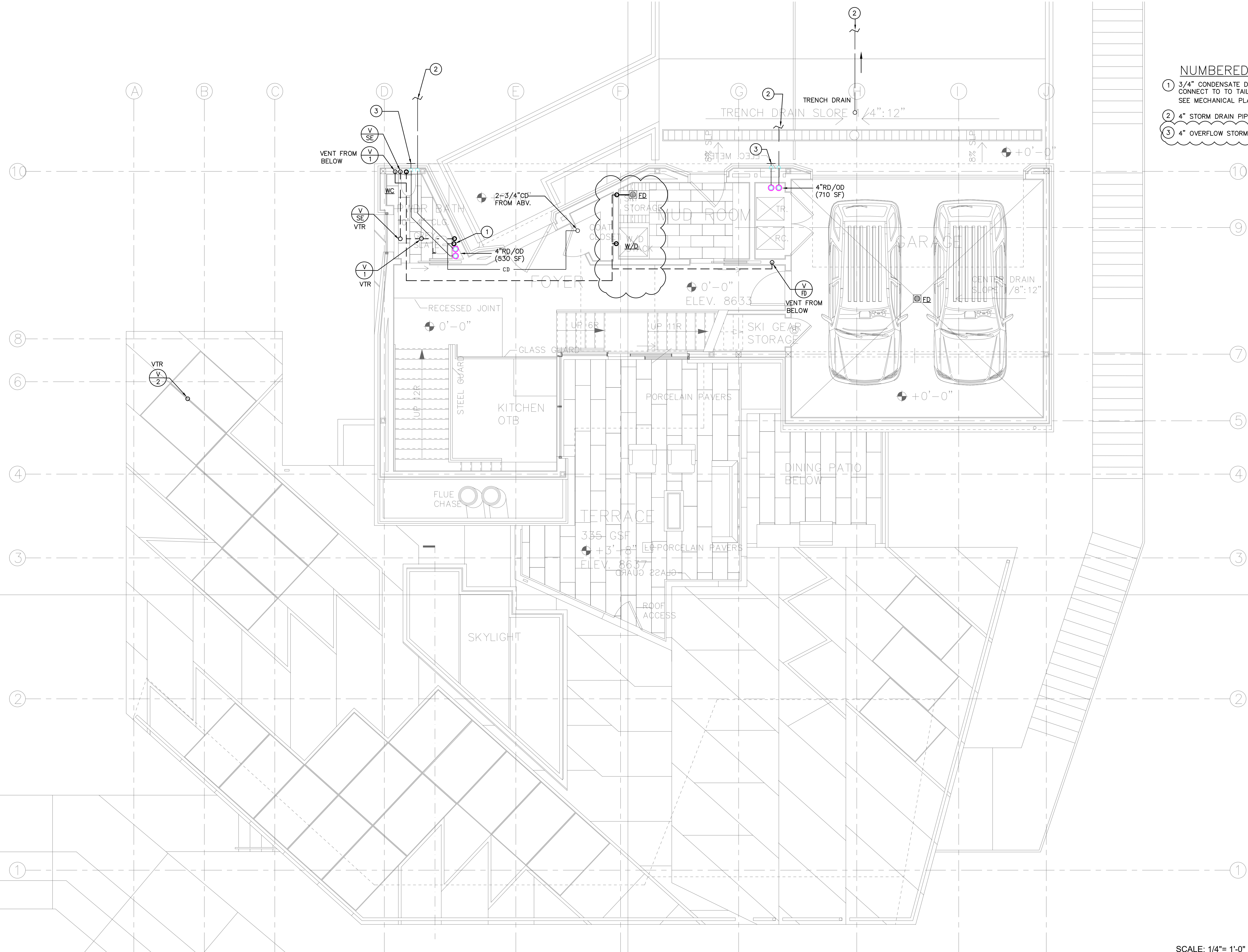
OWNER:
TOM BUTTGENBACH
8645 EASET COPPER CREST
EDEN, UT 84310

ARCHITECT: TOM WISCOMBE ARCHITECTURE <small>2454 WILSHIRE BLVD., SUITE 48 LOS ANGELES, CA 90057 (213) 674-2238 WWW.TOMWISCOMBE.COM</small>	STRUCTURAL ENGINEER: NOUS <small>527 W 7TH STREET LOS ANGELES, CA 90014 (213) 627-6887 WWW.NOUSENGINEERING.COM</small>	CIVIL ENGINEER: TALISMAN <small>5217 SOUTH STATE STREET MURRAY, UT 84107 (801) 745-1300 WWW.TALISMANCIVIL.COM</small>	MECHANICAL / PLUMBING: SHAMIM <small>5520 CORBIN AVE., SUITE 300 PASADENA, CA 91356 (818) 788-6778 WWW.SHAMIMENGINEERING.COM</small>	ELECTRICAL: ABRARI ENGINEERING <small>CLENDALE, CA (714) 456-7894 WWW.ABRARI.COM</small>	NGBS CONSULTING: ARGENTO/GRAHAM <small>911 WEST 7TH STREET, 10TH FLOOR LOS ANGELES, CA 90017 (323) 536-2578 WWW.ARGENTOGRAHAM.COM</small>	GEOTECHNICAL: IGES <small>2702 SOUTH 1030 WEST SUITE 10 SALT LAKE CITY, UT 84120 (801) 270-9400 WWW.IGESINC.COM</small>	LANDSCAPE ARCHITECT: LDG <small>328 W 200 S SUITE 102 SALT LAKE CITY, UT 84101 (801) 583-1255</small>	LIGHTING DESIGNER: KGM <small>328 W 200 S SUITE 102 SALT LAKE CITY, UT 84101 (801) 583-1255 WWW.KGMLIGHTING.COM</small>
--	--	---	--	--	---	---	---	---



EXP:03-31-2021

REVISIONS:	BY:	DATE:	DATE:
			02/15/2019
			SCALE: AS SHOWN
			DRAWN: G.F.
			SHEET:
			P4.0



- NUMBERED NOTES:**
- 1 3/4" CONDENSATE DRAIN DOWN FROM FC IN FLOOR ABOVE AND CONNECT TO TO TAIL PIECE OF LAVATORY. SEE MECHANICAL PLANS FOR EXACT LOCATION OF UNITS.
 - 2 4" STORM DRAIN PIPE TERMINATE TO STREET CURB FACE.
 - 3 4" OVERFLOW STORM DRAIN PIPE TERMINATE 12" ABOVE FINISH FLOOR.

SCALE: 1/4" = 1'-0" **(WASTE & VENT)**

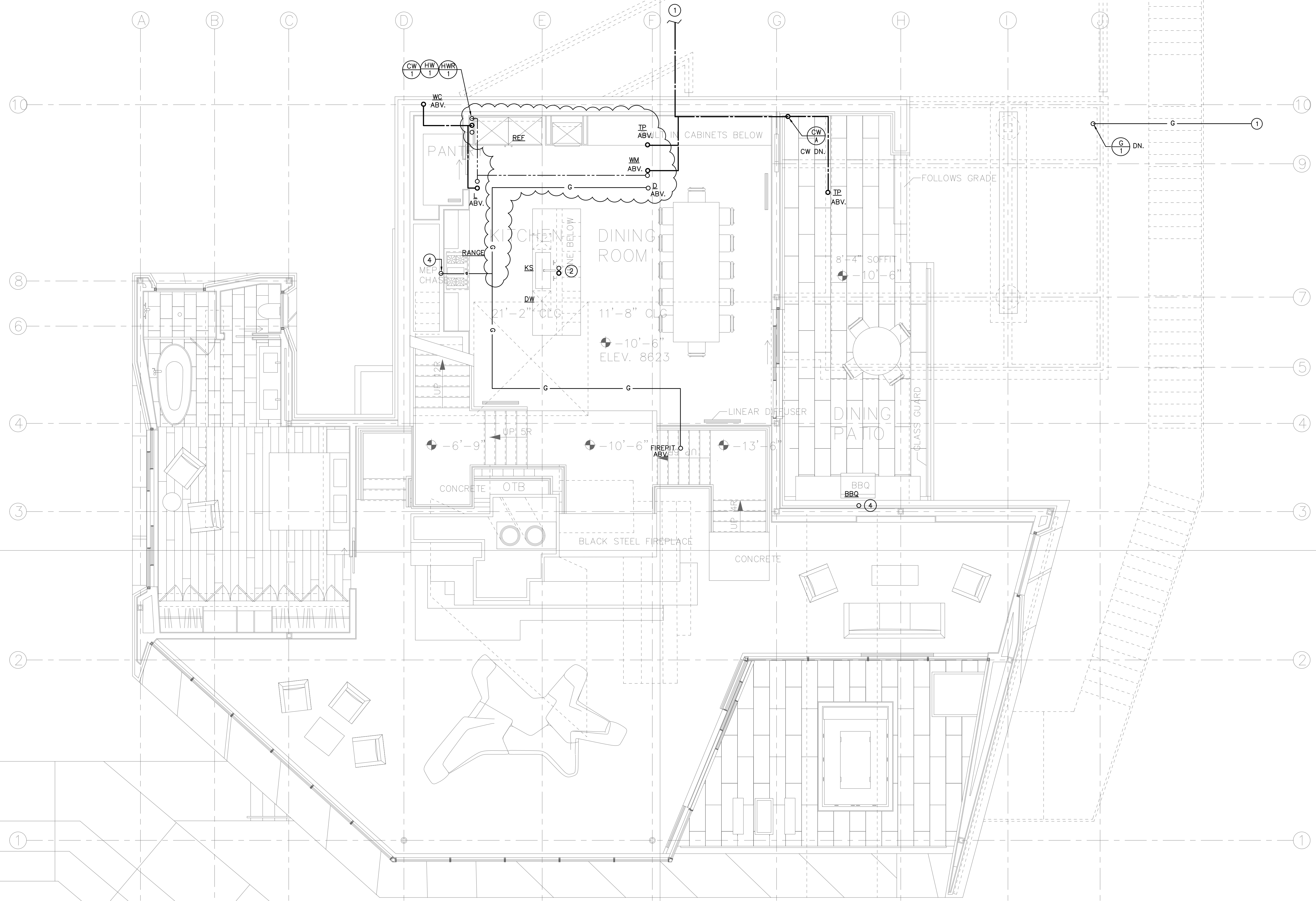
ENTRY LEVEL

REVISIONS:	BY:	DATE:	DATE:
			02/15/2019
		SCALE:	DRAWN:
		AS SHOWN	G.F.
		SHEET:	
			P4.1

POWDER MOUNTAIN HOUSE OWNER: **TOM BUTTGENBACH**
8645 EASET COPPER CREST EDEN, UT 84310

ARCHITECT: TOM WISCOMBE ARCHITECTURE <small>2424 WILSHIRE BLVD., SUITE 48 LOS ANGELES, CA 90057 (213) 674-2238 WWW.TOMWISCOMBE.COM</small>	STRUCTURAL ENGINEER: NOUS <small>527 W 7TH STREET LOS ANGELES, CA 90014 (213) 627-6887 WWW.NOUSENGINEERING.COM</small>	CIVIL ENGINEER: TALISMAN <small>5217 SOUTH STATE STREET MURRAY, UT 84107 (801) 745-1300 WWW.TALISMANCIVIL.COM</small>	MECHANICAL / PLUMBING: SHAMIM <small>5520 CORBIN AVE, SUITE 300 IRVINE, CA 92618 (949) 788-6778 WWW.SHAMIMENGINEERING.COM</small>	ELECTRICAL: ABRARI ENGINEERING <small>CLENDALE, CA (714) 456-7894 WWW.ABRARI.COM</small>	NGBS CONSULTING: ARGENTO/GRAHAM <small>911 WEST 7TH STREET, 10TH FLOOR LOS ANGELES, CA 90017 (323) 536-2578 WWW.ARGENTOGRAHAM.COM</small>	GEOTECHNICAL: IGES <small>2702 SOUTH 1030 WEST SUITE 10 SALT LAKE CITY, UT 84120 (801) 270-9400 WWW.IGESINC.COM</small>	LANDSCAPE ARCHITECT: LDG <small>328 W 200 S SUITE 102 SALT LAKE CITY, UT 84101 (801) 583-1255</small>	LIGHTING DESIGNER: KGM <small>328 W 200 S SUITE 102 SALT LAKE CITY, UT 84101 (801) 583-1255 WWW.KGMLIGHTING.COM</small>
--	--	---	---	--	---	---	---	---





- NUMBERED NOTES:**
- ① SEE SITE PLAN FOR CONTINUATION.
 - ② COLD & HOT WATER FROM BELOW.
 - ③ COLD WATER FROM BELOW.
 - ④ GAS PIPE FROM BELOW.

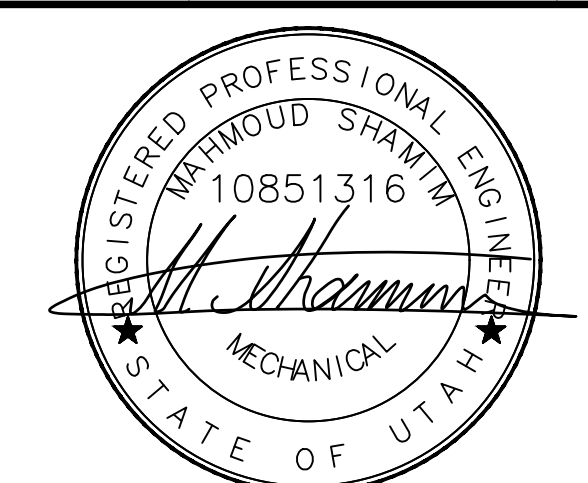
SCALE: 1/4" = 1'-0"

**(WATER & GAS)
MEZZANINE LEVEL**

POWDER MOUNTAIN HOUSE

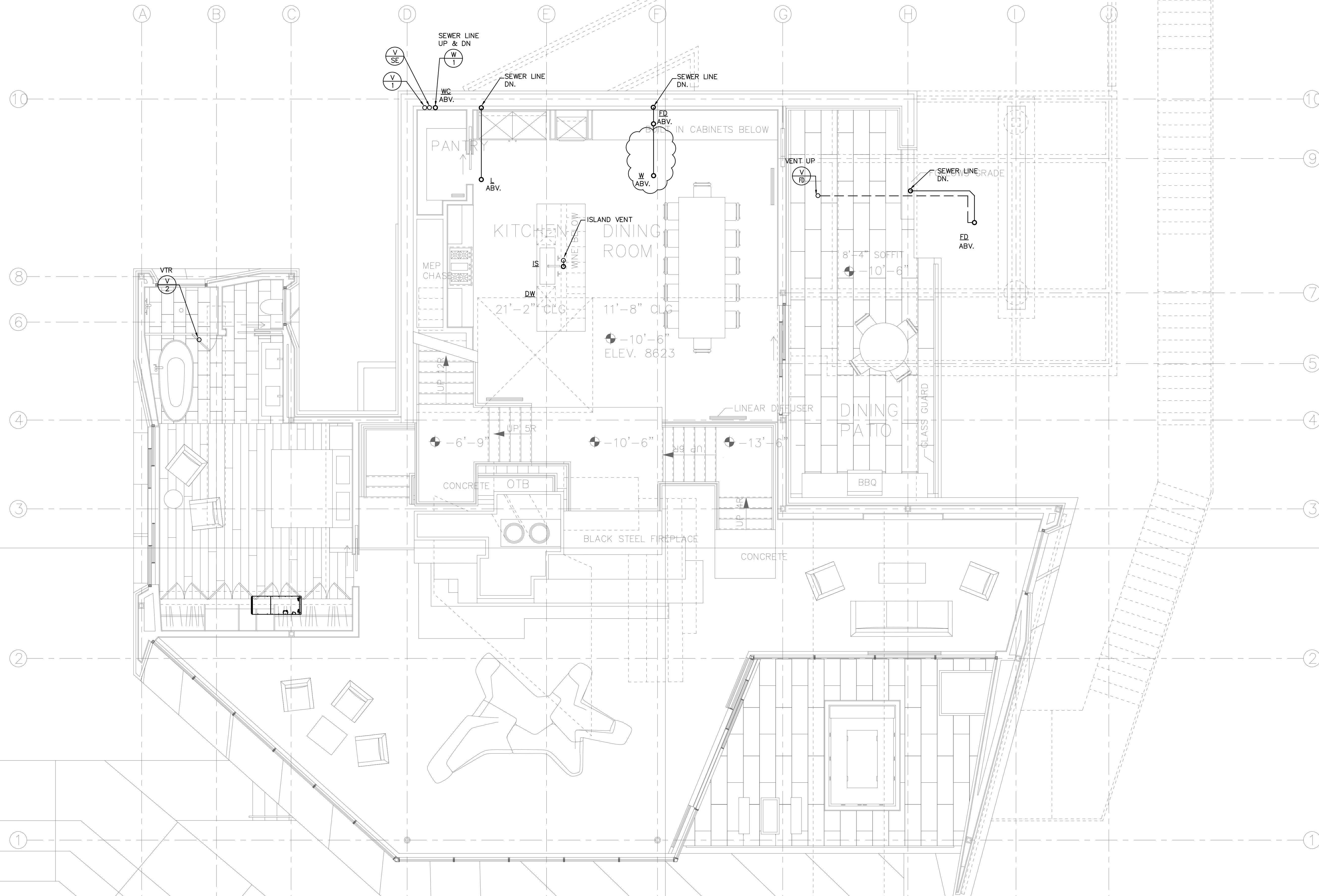
OWNER:
TOM BUTTGENBACH
8645 EASET COPPER CREST
EDEN, UT 84310

<p>ARCHITECT: TOM WISCOMBE ARCHITECTURE 2454 WILSHIRE BLVD., SUITE 48 LOS ANGELES, CA 90057 (213) 674-2238 WWW.TOMWISCOMBE.COM</p>	<p>STRUCTURAL ENGINEER: NOUS 527 W 7TH STREET LOS ANGELES, CA 90014 (213) 627-8887 WWW.NOUSENGINEERING.COM</p>	<p>CIVIL ENGINEER: TALISMAN 527 W 7TH STREET MURRAY, UT 84107 (801) 745-1300 WWW.TALISMANCIVIL.COM</p>	<p>MECHANICAL / PLUMBING: SHAMIM 5520 CORBIN AVE., SUITE 300 IRVING, CA 91556 (916) 788-6778 WWW.SHAMIMENGINEERING.COM</p>	<p>ELECTRICAL: ABRARI ENGINEERING CLENDALE, CA (714) 456-7894 WWW.ABRARI.COM</p>	<p>NGBS CONSULTING: ARGENTO/GRAHAM 911 WEST 7TH STREET, 10TH FLOOR LOS ANGELES, CA 90017 (323) 536-2578 WWW.ARGENTOGRAHAM.COM</p>	<p>GEOTECHNICAL: IGES 2702 SOUTH 1030 WEST SUITE 10 SALT LAKE CITY, UT 84120 (801) 270-9400 WWW.IGESINC.COM</p>	<p>LANDSCAPE ARCHITECT: LDG 328 W 200 S SUITE 102 SALT LAKE CITY, UT 84101 (801) 583-1255</p>	<p>LIGHTING DESIGNER: KGM 328 W 200 S SUITE 102 SALT LAKE CITY, UT 84101 (801) 583-1255 WWW.KGMLIGHTING.COM</p>
--	--	--	--	--	---	---	---	---



EXP:03-31-2021

REVISIONS:	BY:	DATE:	DATE:
			02/15/2019
			SCALE: AS SHOWN
			DRAWN: G.F.
			SHEET:
			P5.0



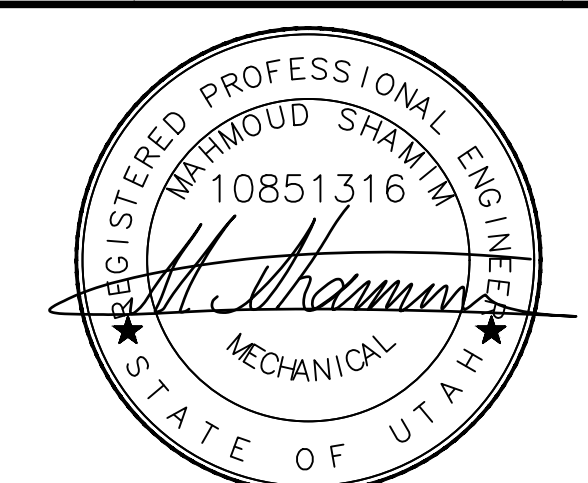
SCALE: 1/4" = 1'-0"

**(WASTE & VENT)
MEZZANINE LEVEL**

POWDER MOUNTAIN HOUSE

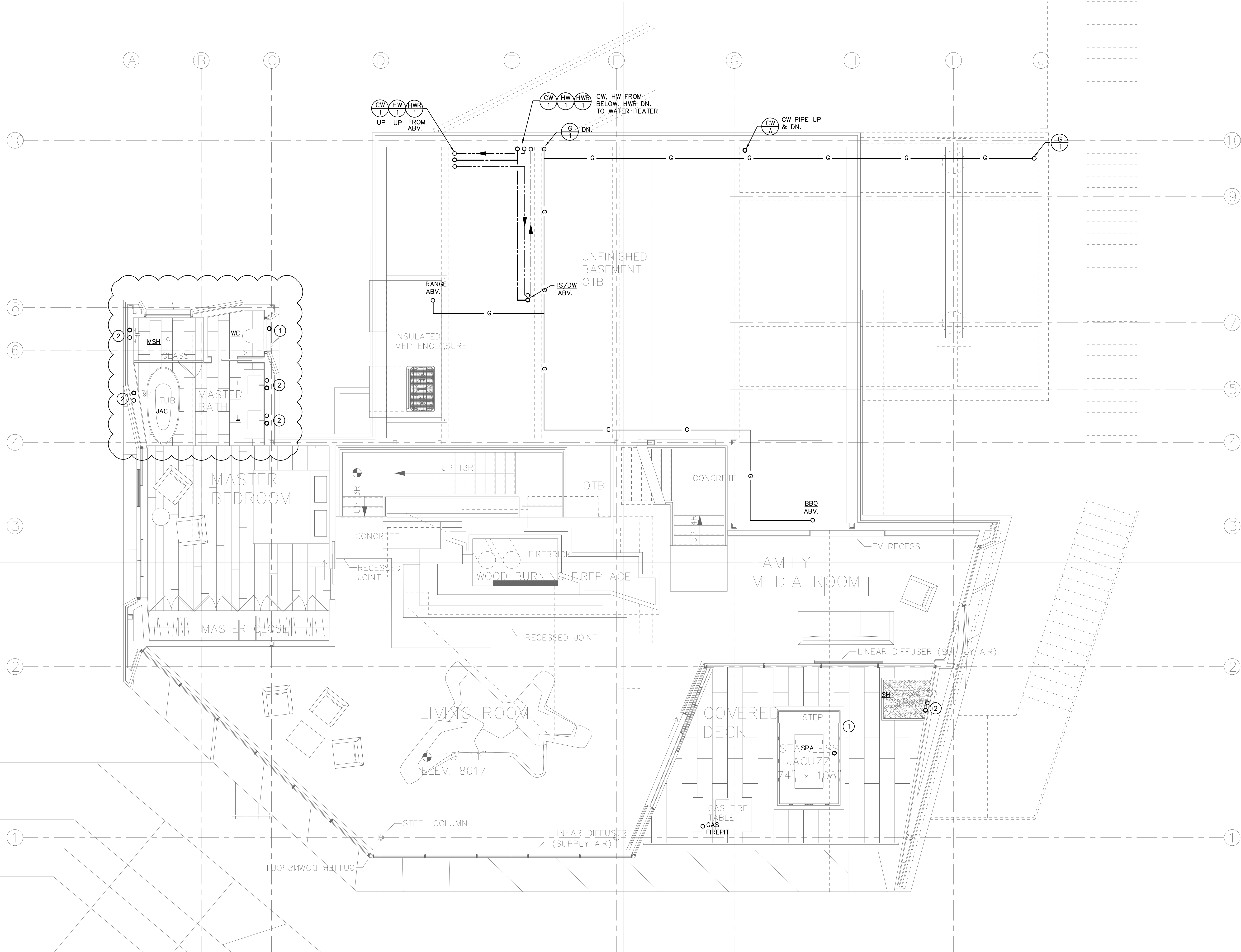
OWNER:
TOM BUTTGENBACH
8645 EASET COPPER CREST
EDEN, UT 84310

ARCHITECT: TOM WISCOMBE ARCHITECTURE <small>2454 WILSHIRE BLVD., SUITE 48 LOS ANGELES, CA 90057 (213) 674-2238 WWW.TOMWISCOMBE.COM</small>	STRUCTURAL ENGINEER: NOUS <small>527 W 7TH STREET LOS ANGELES, CA 90014 (213) 627-6887 WWW.NOUSENGINEERING.COM</small>	CIVIL ENGINEER: TALISMAN <small>527 W 7TH STREET MURRAY, UT 84107 (801) 745-1300 WWW.TALISMANCIVIL.COM</small>	MECHANICAL / PLUMBING: SHAMIM <small>5520 CORBIN AVE., SUITE 300 IRVINE, CA 92618 (949) 788-6778 WWW.SHAMIMENGINEERING.COM</small>	ELECTRICAL: ABRARI ENGINEERING <small>CLENDALE, CA (714) 456-7894 WWW.ABRARI.COM</small>	NGBS CONSULTING: ARGENTO/GRAHAM <small>811 WEST 7TH STREET, 10TH FLOOR LOS ANGELES, CA 90017 (323) 536-2578 WWW.ARGENTOGRAHAM.COM</small>	GEOTECHNICAL: IGES <small>2702 SOUTH 1030 WEST SUITE 10 SALT LAKE CITY, UT 84120 (801) 270-9400 WWW.IGESINC.COM</small>	LANDSCAPE ARCHITECT: LDG <small>328 W 200 S SUITE 102 SALT LAKE CITY, UT 84101 (801) 583-1255</small>	LIGHTING DESIGNER: KGM <small>328 W 200 S SUITE 102 SALT LAKE CITY, UT 84101 (801) 583-1255 WWW.KGMLIGHTING.COM</small>
--	--	--	--	--	---	---	---	---



EXP:03-31-2021

REVISIONS:	BY:	DATE:	DATE:
			02/15/2019
			SCALE: AS SHOWN
			DRAWN: G.F.
			SHEET:
			P5.1



- NUMBERED NOTES:**
- ① COLD WATER FROM BELOW.
 - ② COLD & HOT WATER FROM BELOW.

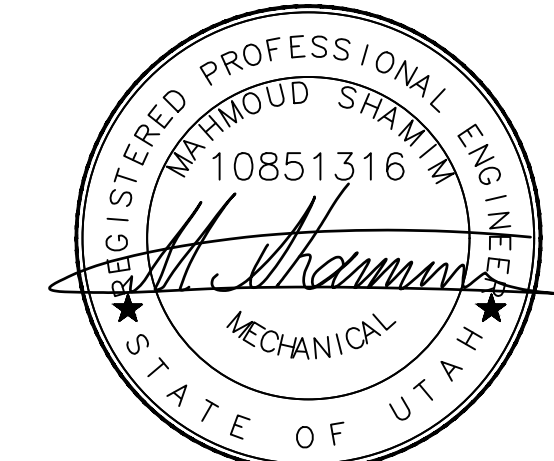
SCALE: 1/4" = 1'-0" **(WATER & GAS)**

LIVING ROOM LEVEL

POWDER MOUNTAIN HOUSE

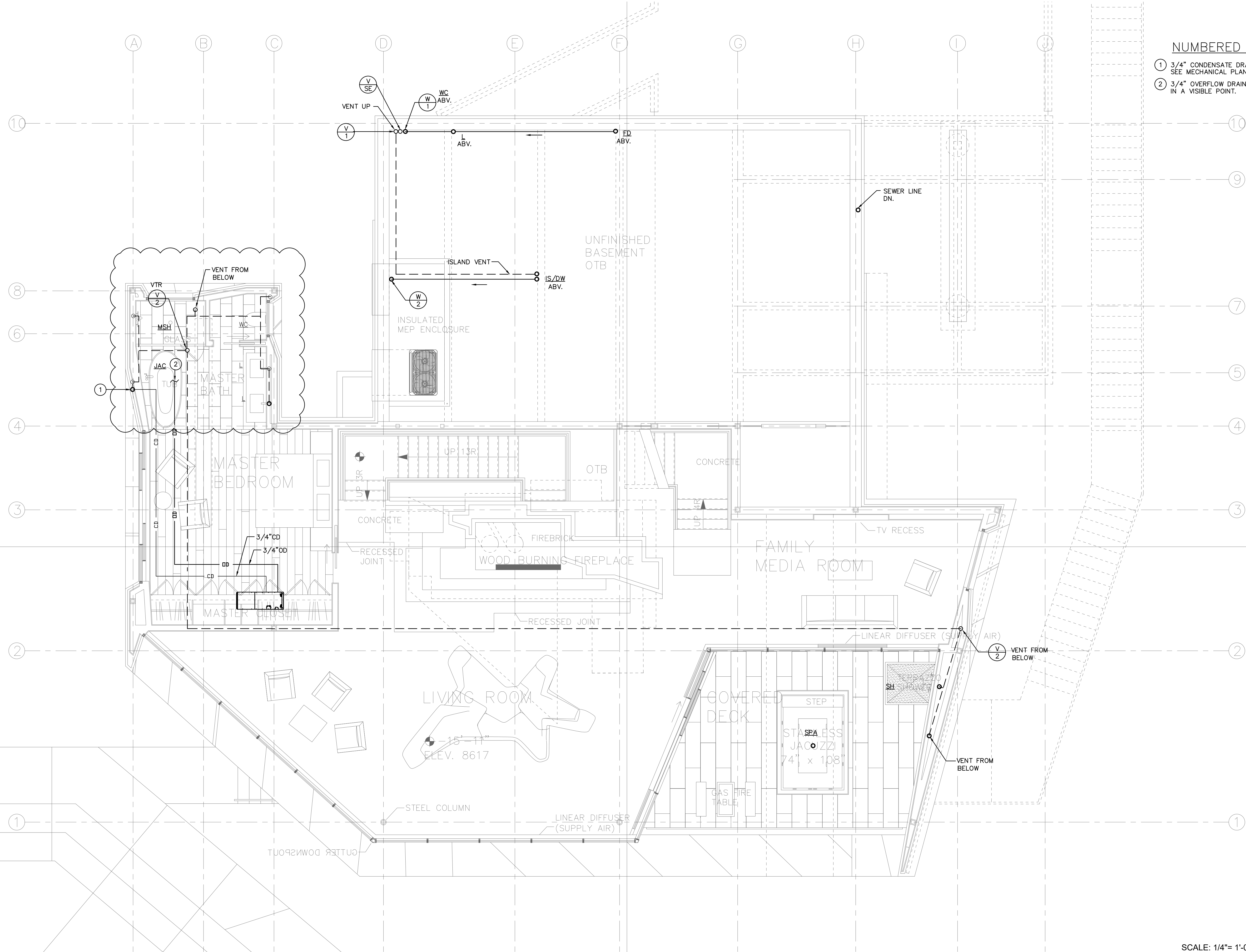
OWNER:
TOM BUTTGENBACH
8645 EASET COPPER CREST
EDEN, UT 84310

ARCHITECT: TOM WISCOMBE ARCHITECTURE <small>2454 WILSHIRE BLVD., SUITE 48 LOS ANGELES, CA 90057 (213) 674-2238 WWW.TOMWISCOMBE.COM</small>	STRUCTURAL ENGINEER: NOUS <small>5217 W 7TH STREET LOS ANGELES, CA 90014 (213) 827-8887 WWW.NOUSENGINEERING.COM</small>	CIVIL ENGINEER: TALISMAN <small>5217 SOUTH STATE STREET MURRAY, UT 84107 (801) 745-1300 WWW.TALISMANCIVIL.COM</small>	MECHANICAL / PLUMBING: SHAMIM <small>5520 CORBIN AVE., SUITE 300 PASADENA, CA 91356 (818) 798-6778 WWW.SHAMIMENGINEERING.COM</small>	ELECTRICAL: ABRARI ENGINEERING <small>CLENDALE, CA (720) 458-7894 WWW.ABRARI.COM</small>	NGBS CONSULTING: ARGENTO/GRAHAM <small>911 WEST 7TH STREET, 10TH FLOOR PASADENA, CA 91307 (818) 536-2578 WWW.ARGENTOGRAHAM.COM</small>	GEOTECHNICAL: IGES <small>2702 SOUTH 1030 WEST SUITE 10 SALT LAKE CITY, UT 84120 (801) 270-9400 WWW.IGESINC.COM</small>	LANDSCAPE ARCHITECT: LDG <small>326 W 200 S SUITE 102 SALT LAKE CITY, UT 84101 (801) 583-1255</small>	LIGHTING DESIGNER: KGM <small>326 W 200 S SUITE 102 SALT LAKE CITY, UT 84101 (801) 583-1255 WWW.KGMLIGHTING.COM</small>
--	---	---	--	--	--	---	---	---



EXP:03-31-2021

REVISIONS:	BY:	DATE:	DATE:
			02/15/2019
			SCALE: AS SHOWN
			DRAWN: G.F.
			SHEET:
			P6.0



- NUMBERED NOTES:**
- ① 3/4" CONDENSATE DRAIN TO TAIL PIECE OF LAVATORY. SEE MECHANICAL PLANS FOR EXACT LOCATION OF UNITS.
 - ② 3/4" OVERFLOW DRAIN TERMINATE ABOVE SHOWER OR IN A VISIBLE POINT.

SCALE: 1/4"= 1'-0" **(WASTE & VENT)**

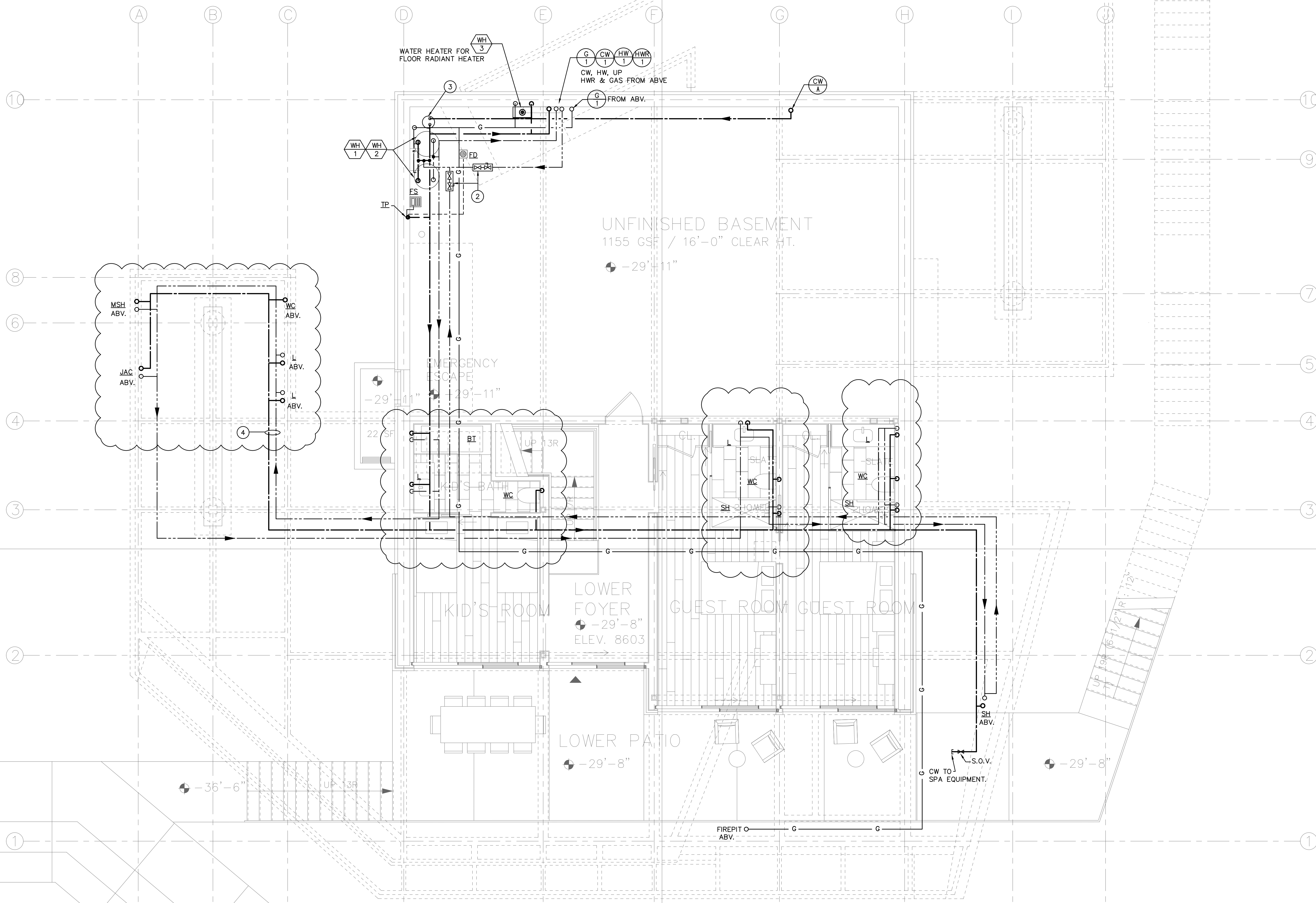
LIVING ROOM LEVEL

REVISIONS:	BY:	DATE:	DATE:
			02/15/2019
			SCALE: AS SHOWN
			DRAWN: G.F.
			SHEET:
			P6.1

POWDER MOUNTAIN HOUSE OWNER: **TOM BUTTGENBACH**
8645 EASET COPPER CREST EDEN, UT 84310

ARCHITECT: TOM WISCOMBE ARCHITECTURE <small>2424 WILSHIRE BLVD., SUITE 4B LOS ANGELES, CA 90057 (213) 674-2238 WWW.TOMWISCOMBE.COM</small>	STRUCTURAL ENGINEER: NOUS <small>527 W 7TH STREET LOS ANGELES, CA 90014 (213) 627-8887 WWW.NOUSENGINEERING.COM</small>	CIVIL ENGINEER: TALISMAN <small>527 W 7TH STREET LOS ANGELES, CA 90014 (213) 627-8887 WWW.TALISMANCIVIL.COM</small>	MECHANICAL / PLUMBING: SHAMIM <small>5520 CORBIN AVE, SUITE 300 IRVINE, CA 92618 (949) 798-6778 WWW.SHAMIMENGINEERING.COM</small>	ELECTRICAL: ABRARI <small>CLENDALE, CA (714) 456-7894 WWW.ABRARI.COM</small>	NGBS CONSULTING: ARGENTO/GRAHAM <small>911 WEST 7TH STREET, 10TH FLOOR LOS ANGELES, CA 90017 (323) 536-2578 WWW.ARGENTOGRAHAM.COM</small>	GEOTECHNICAL: IGES <small>2702 SOUTH 1030 WEST SUITE 10 SALT LAKE CITY, UT 84020 (801) 270-9400 WWW.IGESINC.COM</small>	LANDSCAPE ARCHITECT: LDG <small>328 W 200 S SUITE 102 SALT LAKE CITY, UT 84101 (801) 583-1255</small>	LIGHTING DESIGNER: KGM <small>328 W 200 S SUITE 102 SALT LAKE CITY, UT 84101 (801) 583-1255 WWW.KGMLIGHTING.COM</small>
--	--	---	---	--	---	---	---	---





GENERAL FLOOR PLAN NOTES:

- 1- BALANCING VALVE SHALL BE "HAYS", "ARMSTRONG" OR APPROVED EQUAL.
- 2- CONTRACTOR SHALL BALANCE THE HOT WATER SUPPLY & RETURN LOOP AND PROVIDE A BALANCE REPORT TO OWNER/ENGINEER.
- 3- VELOCITY IN THE HOT WATER PIPING SHALL NOT BE MORE THAN 5 FEET PER SECOND.
- 4- SEE MANUFACTURERS DETAIL FOR WATER FILTER & SOFTENER PIPE CONNECTIONS.

NUMBERED NOTES:

- ① SEE SITE PLAN FOR CONTINUATION.
- ② BALANCING REGULATOR VALVE. (TYPICAL OF 2)
- ③ WATER SOFTNER & FILTRATION SYSTEM. (SPECIFICATIONS BY OWNER)
- ④ PIPE IN CRAWL SPACE.

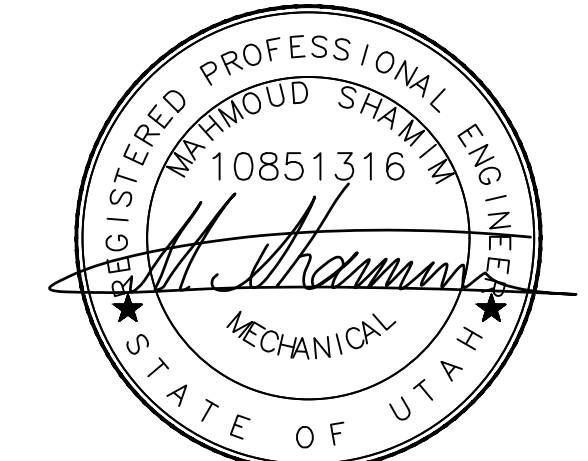
SCALE: 1/4"= 1'-0" **(WATER & GAS)**

BASEMENT LEVEL

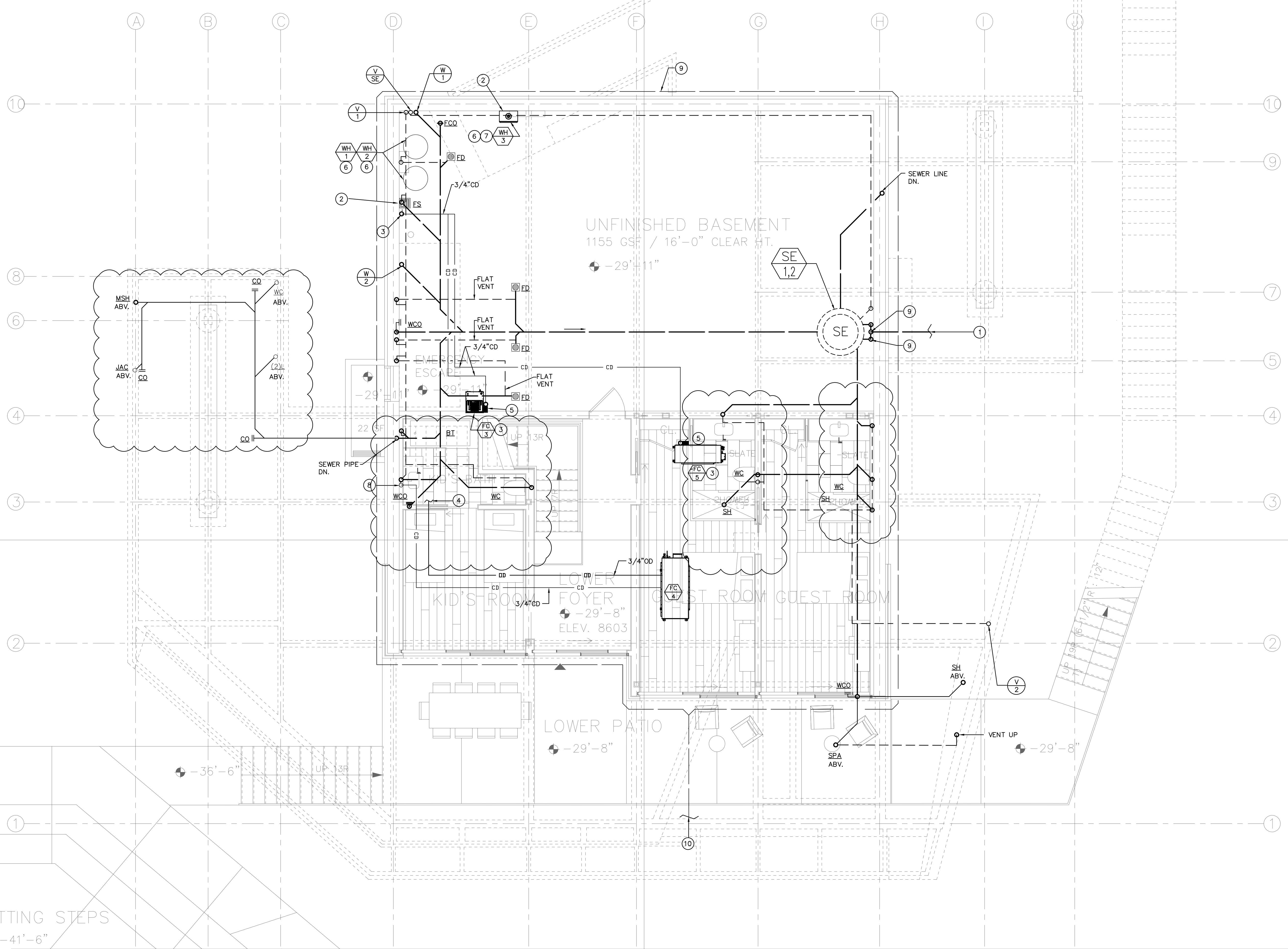
REVISIONS:	BY:	DATE:	DATE:
			02/15/2019
		SCALE:	DRAWN:
		AS SHOWN	G.F.
		SHEET:	
		P7.0	

POWDER MOUNTAIN HOUSE OWNER: **TOM BUTTGENBACH**
8645 EASET COPPER CREST EDEN, UT 84310

ARCHITECT: TOM WISCOMBE ARCHITECTURE <small>2454 WILSHIRE BLVD., SUITE 48 LOS ANGELES, CA 90007 (213) 674-2238 WWW.TOMWISCOMBE.COM</small>	STRUCTURAL ENGINEER: NOUS <small>5217 W 7TH STREET LOS ANGELES, CA 90014 (213) 627-6887 WWW.NOUSENGINEERING.COM</small>	CIVIL ENGINEER: TALISMAN <small>5217 W 7TH STREET MURRAY, UT 84107 (801) 745-1300 WWW.TALISMANCIVIL.COM</small>	MECHANICAL / PLUMBING: SHAMIM <small>5520 CORBIN AVE, SUITE 300 IRVINE, CA 92618 (949) 788-6778 WWW.SHAMIMENGINEERING.COM</small>	ELECTRICAL: ABRARI ENGINEERING <small>CLENDALE, CA (714) 456-7894 WWW.ABRARI.COM</small>	NGBS CONSULTING: ARGENTO/GRAHAM <small>811 WEST 7TH STREET, 10TH FLOOR SALT LAKE CITY, UT 84101 (801) 593-2578 WWW.ARGENTOGRAHAM.COM</small>	GEOTECHNICAL: IGES <small>2702 SOUTH 1030 WEST SUITE 10 SALT LAKE CITY, UT 84120 (801) 270-9400 WWW.IGESINC.COM</small>	LANDSCAPE ARCHITECT: LDG <small>328 W 200 S SUITE 102 SALT LAKE CITY, UT 84101 (801) 593-1255</small>	LIGHTING DESIGNER: KGM <small>328 W 200 S SUITE 102 SALT LAKE CITY, UT 84101 (801) 593-1255 WWW.KGMLIGHTING.COM</small>
--	---	---	---	--	--	---	---	---



EXP:03-31-2021



- NUMBERED NOTES:**
- ① SEE SITE PLAN FOR CONTINUATION.
 - ② PROVIDE PLUMBING WALL.
 - ③ 3/4" CONDENSATE DRAIN SPILL TO FLOOR SINK W/AIRGAP. SEE MECHANICAL PLANS FOR EXACT LOCATION OF UNITS.
 - ④ 3/4" OVERFLOW DRAIN TERMINATE ABOVE SHOWER OR IN A VISIBLE POINT.
 - ⑤ PROVIDE CONDENSATE DRAIN PUMP. "LITTLE GAIN", 1/50 HP, 120V/1Ø/60HZ. (TYPICAL FOR ALL UNITS)
 - ⑥ 3/4" P&T RELIEF VALVE DRAIN LINE FROM WATER HEATER SPILL TO FLOOR SINK W/AIRGAP.
 - ⑦ 3/4" CONDENSATE DRAIN LINE FROM WATER HEATER SPILL TO FLOOR SINK W/AIRGAP.
 - ⑧ 3/4" CONDENSATE DRAIN TO TAIL PIECE OF LAVATORY. SEE MECHANICAL PLANS FOR EXACT LOCATION OF UNITS.
 - ⑨ 4" SUBSURFACE DRAIN PIPE SPILL TO THE SIDE OF BUILDING AROUND BUILDING.
 - ⑩ 4" SUBSURFACE DRAIN PIPE SPILL TO THE SIDE OF BUILDING.

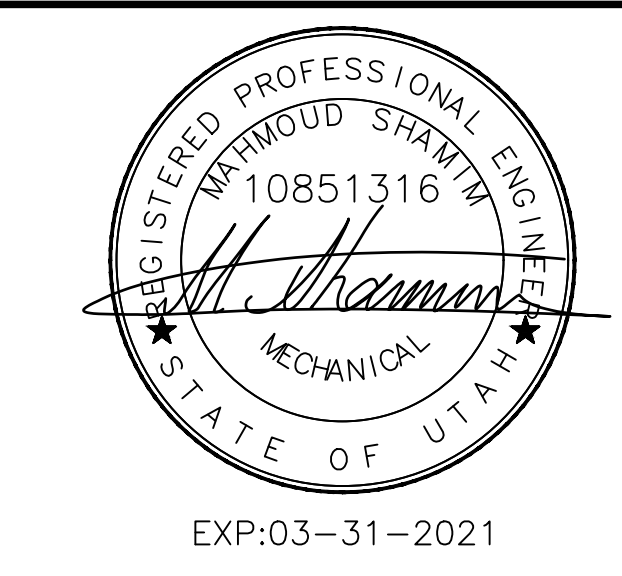
SCALE: 1/4" = 1'-0" **(WASTE & VENT)**

BASEMENT LEVEL

REVISIONS:	BY:	DATE:	DATE:
			02/15/2019
			SCALE: AS SHOWN
			DRAWN: G.F.
			SHEET:
			P7.1

POWDER MOUNTAIN HOUSE OWNER: **TOM BUTTGENBACH**
8645 EASET COPPER CREST EDEN, UT 84310

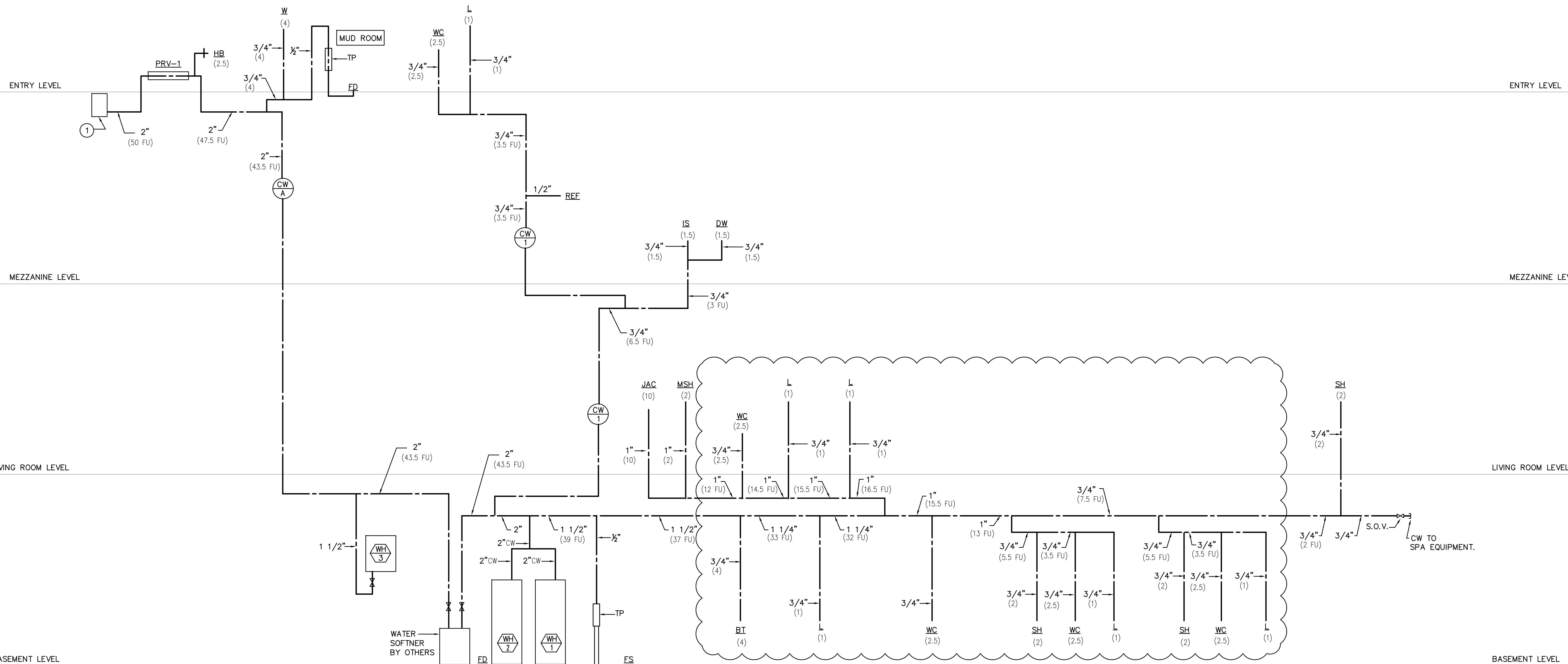
ARCHITECT: TOM WISCOMBE ARCHITECTURE <small>2454 WILSHIRE BLVD., SUITE 48 LOS ANGELES, CA 90057 (213) 674-2238 WWW.TOMWISCOMBE.COM</small>	STRUCTURAL ENGINEER: NOUS <small>527 W 7TH STREET LOS ANGELES, CA 90014 (213) 627-6887 WWW.NOUSENGINEERING.COM</small>	CIVIL ENGINEER: TALISMAN <small>527 W 7TH STREET LOS ANGELES, CA 90014 (213) 627-6887 WWW.TALISMANCIVIL.COM</small>	MECHANICAL / PLUMBING: SHAMIM <small>5520 CORBIN AVE, SUITE 300 PASADENA, CA 91356 (818) 798-6778 WWW.SHAMIMENGINEERING.COM</small>	ELECTRICAL: ABRARI ENGINEERING <small>CLENDALE, CA (714) 456-7894 WWW.ABRARI.COM</small>	NGBS CONSULTING: ARGENTO/GRAHAM <small>811 WEST 7TH STREET, 10TH FLOOR LOS ANGELES, CA 90017 (323) 536-2578 WWW.ARGENTOGRAHAM.COM</small>	GEOTECHNICAL: IGES <small>2702 SOUTH 1030 WEST SUITE 10 SALT LAKE CITY, UT 84120 (801) 270-9400 WWW.IGESINC.COM</small>	LANDSCAPE ARCHITECT: LDG <small>328 W 200 S SUITE 102 SALT LAKE CITY, UT 84101 (801) 583-1255</small>	LIGHTING DESIGNER: KGM <small>328 W 200 S SUITE 102 SALT LAKE CITY, UT 84101 (801) 583-1255 WWW.KGMLIGHTING.COM</small>
--	--	---	---	--	---	---	---	---



COLD WATER SIZING	
PIPE SIZES BASED ON TYPE "L" COPPER @ 5.9 PSI/100 FT, 8 FPS MAXIMUM.	
FIXTURE UNITS	FIXTURE UNITS
1/2" = 0	1 1/4" = 39
3/4" = 8	1 1/2" = 78
1" = 20	2" = 254

KEY NOTES:

- ① 2" WATER METER. VERIFY EXACT LOCATION WITH ARCHITECT.



COLD WATER RISER

SCALE: NONE

POWDER MOUNTAIN HOUSE

OWNER:
TOM BUTTGENBACH
 8845 EASET COPPER CREST
 EDEN, UT 84310

ARCHITECT:
TOM WISCOMBE ARCHITECTURE

2404 WILSHIRE BLVD., SUITE 40
 LOS ANGELES, CA 90067
 (213) 874-7238
 WWW.TOMWISCOMBE.COM

STRUCTURAL ENGINEER:
NOUS

5217 17TH STREET
 LOS ANGELES, CA 90014
 (213) 827-8887
 WWW.NOUSENGINEERING.COM

CIVIL ENGINEER:
TALISMAN

5217 17TH STREET
 MURRAY, UT 84107
 (801) 743-1300
 WWW.TALISMANCIVIL.COM

MECHANICAL / PLUMBING:
SHAMIM

5530 CORBIN AVE., SUITE 300
 TAZARMA, CA 91356
 (818) 788-8778
 WWW.SHAMIMENGINEERING.COM

ELECTRICAL:
ABRARI ENGINEERING

GLENDALE, CA
 (120) 458-7884
 WWW.ABRARI.COM

NGBS CONSULTING:
ARGENTO/GRAHAM

811 WEST 7TH STREET, 10TH FLOOR
 LOS ANGELES, CA 90017
 (323) 538-2578
 WWW.ARGENTOGRAHAM.COM

GEOTECHNICAL:
IGES

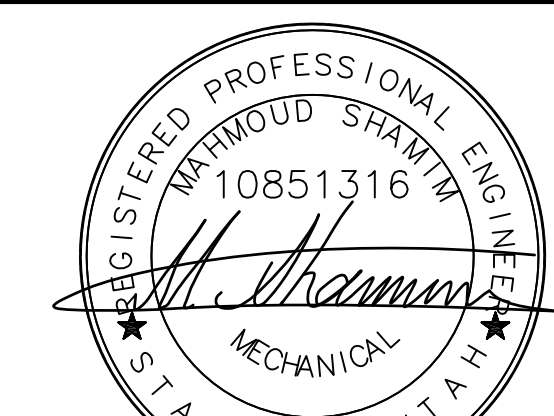
2702 SOUTH 1030 WEST QUITE 10
 SALT LAKE CITY, UT 84105
 (801) 270-9400
 WWW.IGESINC.COM

LANDSCAPE ARCHITECT:
LDG

328 W 200 S SUITE 102
 SALT LAKE CITY, UT 84101
 (801) 583-1295

LIGHTING DESIGNER:
KGM

328 W 200 S SUITE 102
 SALT LAKE CITY, UT 84101
 (801) 583-1295
 WWW.KGMLIGHTING.COM



EXP:03-31-2021

RISER DIAGRAM

REVISIONS:	BY:	DATE:	DATE:
			02/15/2019
			SCALE: AS SHOWN
			DRAWN: G.F.
			SHEET:
			P8.0

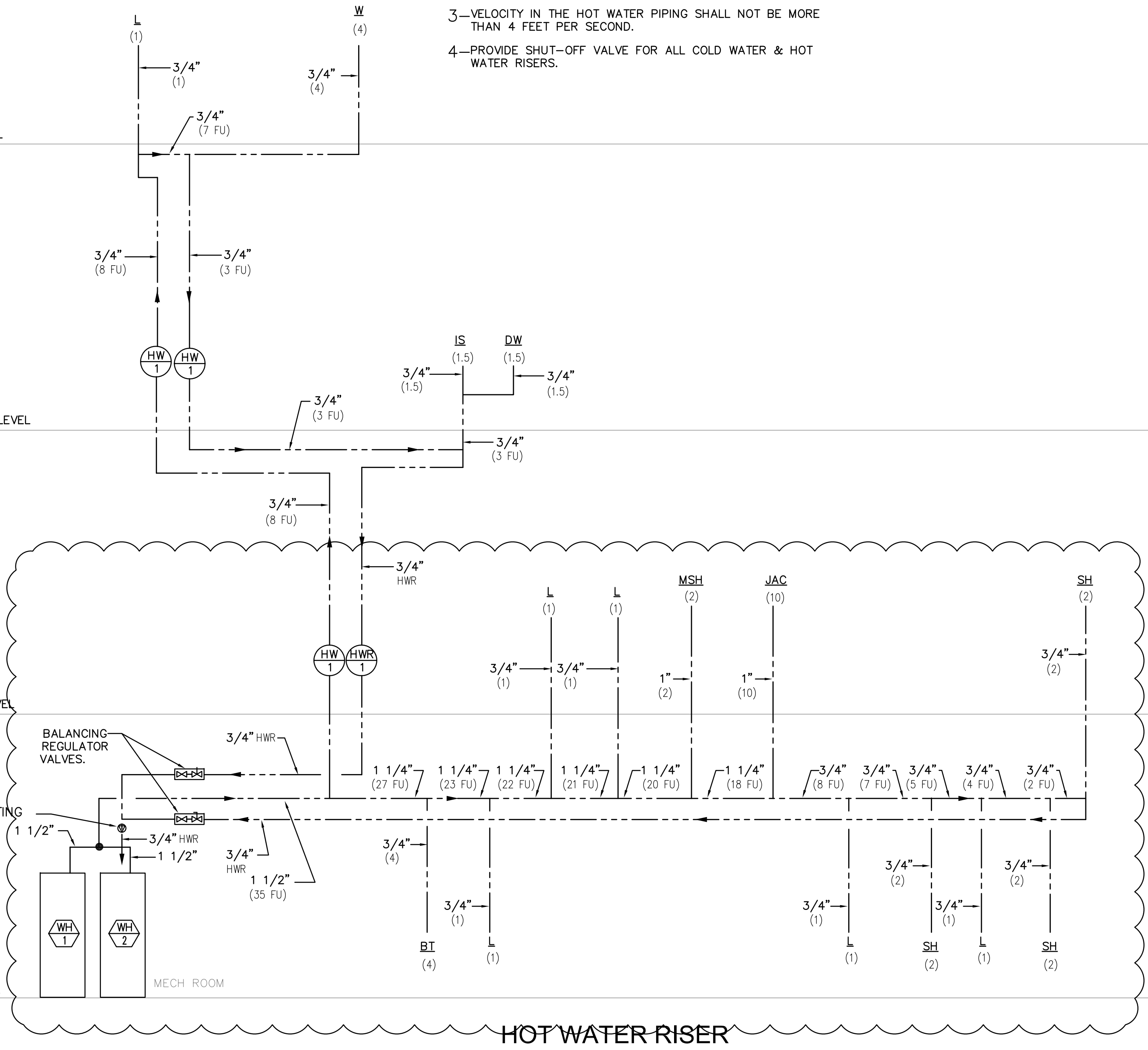
HOT WATER SIZING	
PIPE SIZES BASED ON TYPE "L" COPPER @ 5.9 PSI/100 FT, 5 FPS MAXIMUM.	
FIXTURE UNITS	FIXTURE UNITS
1/2" = 0	1 1/4" = 28
3/4" = 8	1 1/2" = 46
1" = 16	2" = 119

NOTE:

- 1—BALANCING VALVE SHALL BE "RED-WHITE VALVE" MODEL 9517AB, LOW LEAD BRASS BALANCING VALVE.
- 2—CONTRACTOR SHALL BALANCE THE HOT WATER SUPPLY & RETURN LOOP.
- 3—VELOCITY IN THE HOT WATER PIPING SHALL NOT BE MORE THAN 4 FEET PER SECOND.
- 4—PROVIDE SHUT-OFF VALVE FOR ALL COLD WATER & HOT WATER RISERS.

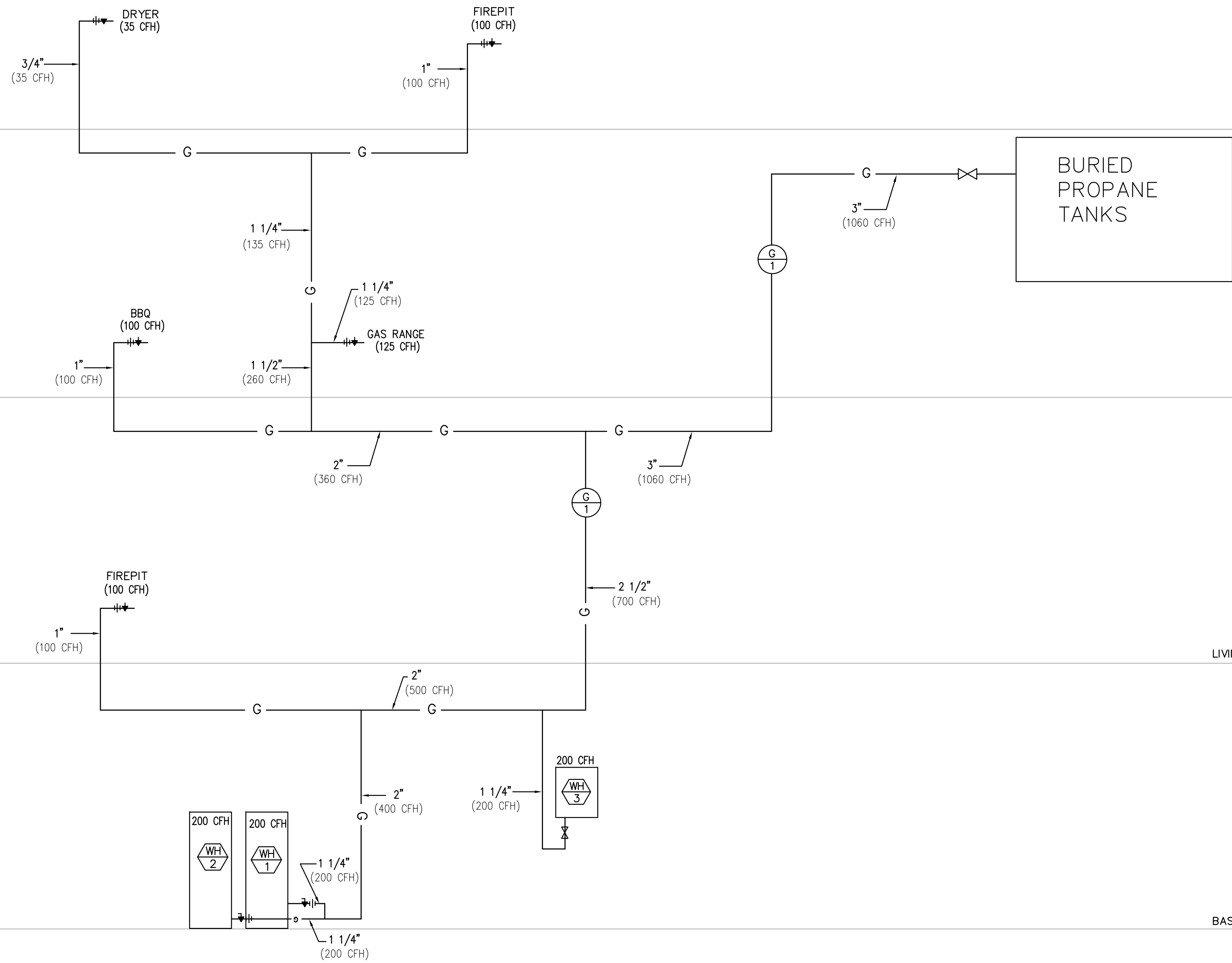
TDL=298'

GAS SIZING BASED ON 0.5 IN. WC.



HOT WATER RISER

SCALE: NONE



POWDER MOUNTAIN HOUSE

OWNER:
TOM BUTTGENBACH
 8845 EASET COPPER CREST
 EDEN, UT 84310

ARCHITECT:
TOM WISCOMBE ARCHITECTURE

2404 WILSHIRE BLVD., SUITE 40
 LOS ANGELES, CA 90067
 (213) 674-7228
 WWW.TOMWISCOMBE.COM

STRUCTURAL ENGINEER:
NOUS

5217 W 7TH STREET
 LOS ANGELES, CA 90014
 (213) 743-8887
 WWW.NOUSENGINEERING.COM

CIVIL ENGINEER:
TALISMAN

5217 W 7TH STREET
 MURRAY, UT 84107
 (801) 743-1300
 WWW.TALISMANCIVIL.COM

MECHANICAL / PLUMBING:
SHAMIM

5500 CORBIN AVE., SUITE 300
 TAZARMA, CA 90077
 (818) 788-8778
 WWW.SHAMIMENGINEERING.COM

ELECTRICAL:
ABRARI ENGINEERING

GLENDALE, CA
 (120) 456-7894
 WWW.ABRARI.COM

NGBS CONSULTING:
ARGENTO/GRAHAM

811 WEST 7TH STREET, 10TH FLOOR
 LOS ANGELES, CA 90017
 (323) 536-2578
 WWW.ARGENTOGRAHAM.COM

GEOTECHNICAL:
IGES

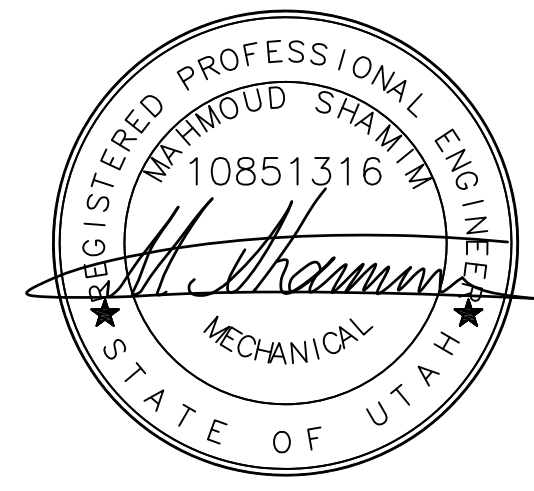
2702 SOUTH 1030 WEST QUITE RD
 SALT LAKE CITY, UT 84120
 (801) 270-9400
 WWW.IGESINC.COM

LANDSCAPE ARCHITECT:
LDG

328 W 200 S SUITE 102
 SALT LAKE CITY, UT 84101
 (801) 583-1295

LIGHTING DESIGNER:
KGM

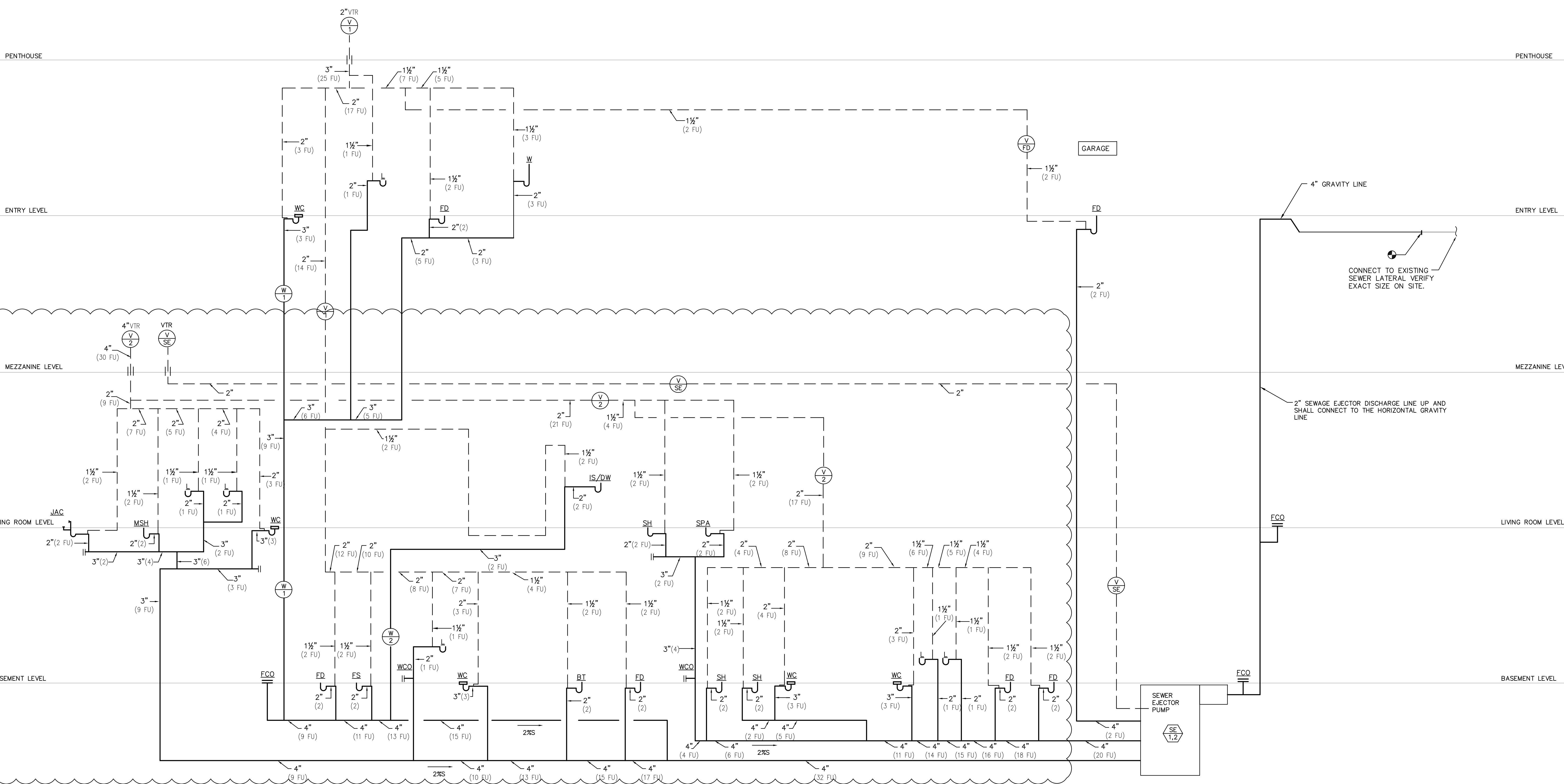
528 W 200 S SUITE 102
 SALT LAKE CITY, UT 84101
 (801) 583-1295
 WWW.KGMLIGHTING.COM



EXP:03-31-2021

RISER DIAGRAM

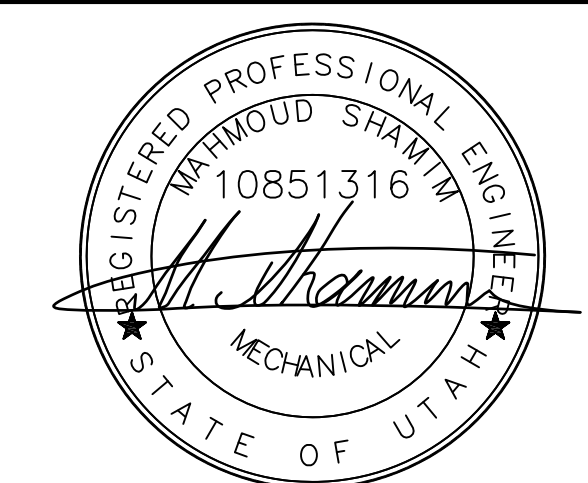
REVISIONS:	BY:	DATE:	DATE:
			02/15/2019
			SCALE: AS SHOWN
			DRAWN: G.F.
			SHEET:
			P8.1



POWDER MOUNTAIN HOUSE

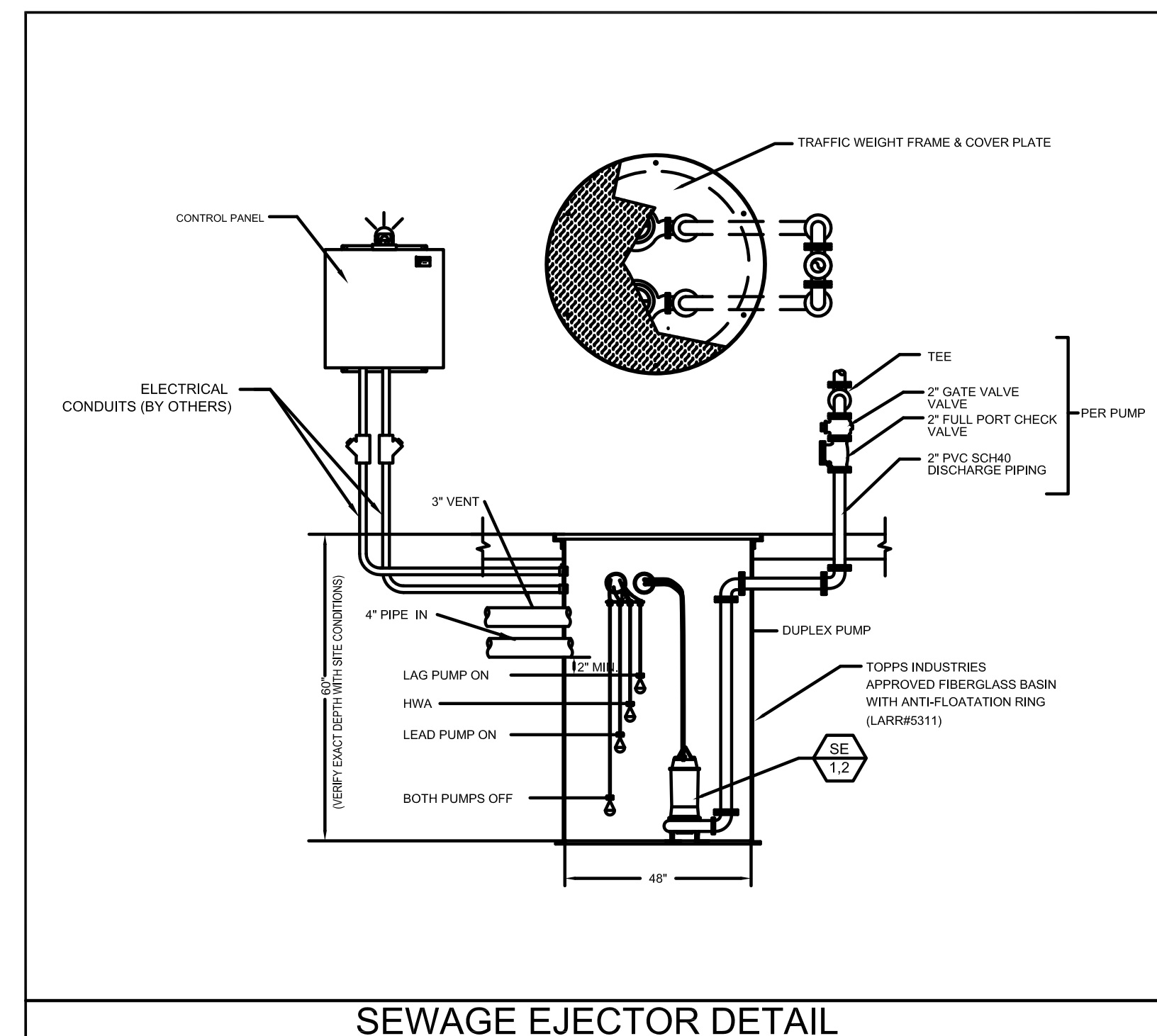
OWNER:
TOM BUTTGENBACH
8845 EASET COPPER CREST
EDEN, UT 84310

ARCHITECT: TOM WISCOMBE ARCHITECTURE <small>2404 WILSHIRE BLVD, SUITE 40 LOS ANGELES, CA 90067 (213) 874-7228 WWW.TOMWISCOMBE.COM</small>	STRUCTURAL ENGINEER: NOUS <small>5217 W 7TH STREET LOS ANGELES, CA 90014 (213) 827-8887 WWW.NOUSENGINEERING.COM</small>	CIVIL ENGINEER: TALISMAN <small>5217 SOUTH SHORE STREET MIRAMAR, UT 84107 (801) 743-1303 WWW.TALISMANCIVIL.COM</small>	MECHANICAL / PLUMBING: SHAMIM <small>5530 CORBIN AVE, SUITE 300 TARZANA, CA 91356 (818) 788-8778 WWW.SHAMIMENGINEERING.COM</small>	ELECTRICAL: ABRARI ENGINEERING <small>GLENDALE, CA (323) 458-7884 WWW.ABRARI.COM</small>	NGBS CONSULTING: ARGENTO/GRAHAM <small>811 WEST 7TH STREET, 10TH FLOOR LOS ANGELES, CA 90017 (323) 538-2578 WWW.ARGENTOGRAHAM.COM</small>	GEOTECHNICAL: IGES <small>2702 SOUTH 1030 WEST SUITE 10 SOUTH SALT LAKE, UT 84020 (801) 270-9400 WWW.IGESINC.COM</small>	LANDSCAPE ARCHITECT: LDG <small>328 W 200 S SUITE 102 SALT LAKE CITY, UT 84101 (801) 583-1285</small>	LIGHTING DESIGNER: KGM <small>328 W 200 S SUITE 102 SALT LAKE CITY, UT 84101 (801) 583-1285 WWW.KGMLIGHTING.COM</small>
---	---	--	--	--	---	--	---	---



EXP:03-31-2021

RISER DIAGRAM			
REVISIONS:	BY:	DATE:	DATE:
			02/15/2019
			SCALE: AS SHOWN
			DRAWN: G.F.
			SHEET:
			P8.2



SEWAGE EJECTOR DETAIL

SEWAGE EJECTOR CALCULATION

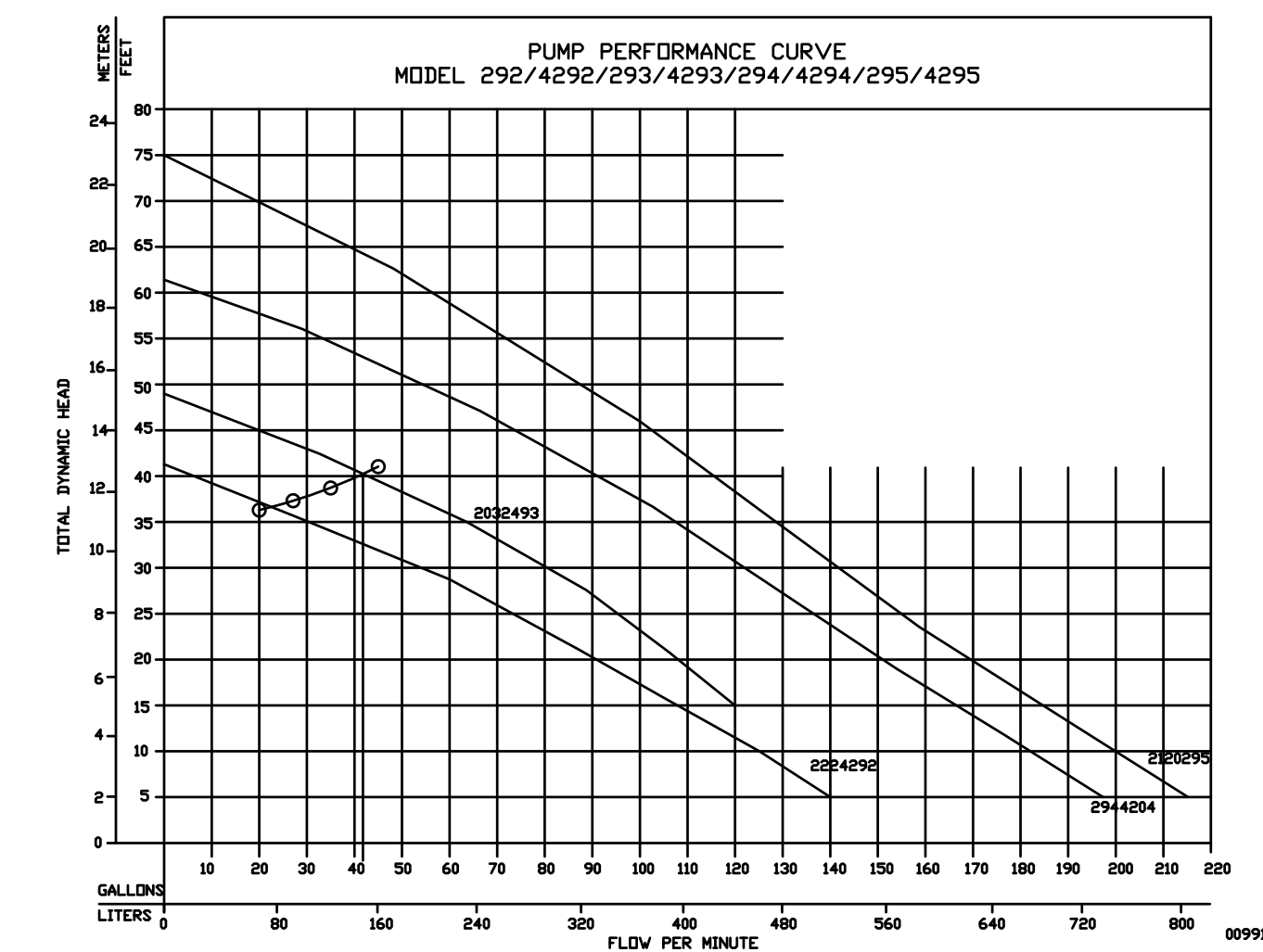
Project: POWDER MOUNTAIN

FLOWS INTO SEWAGE EJECTOR			
	Number	Fixture Units	Total
Water Closet	5	3	15
Lavatory	6	1	6
Shower	5	2	10
Floor Drain	6	2	12
Washer	1	3	3
Laundry Sink	0	2	0
Floor Sink	1	2	2
Bar Sink	0	1	0
Tub	2	2	4
Dish Washer	1	2	2
Total		54	FU
Use		27	GPM

CALCULATION OF EQUIVALENT LENGTH				
Diameter of fittings (in)	1/4 Bent (45°) (ft.)	1/2 Bent (90°) (ft.)	Gate Valve (ft.)	Backwater Valve (ft.)
2"	4	7	1.3	11
3"	6	10	2	16
4"	8	14	2.7	22
6"	12	20	4	31

	Number	Loss (Ft)
1/4 Bent (45°)	4	16
1/2 Bent (90°)	5	35
Gate Valve	1	1.3
Backwater Valve	1	11
Developed Pipe Length		90
Total Equivalent Length (L)		153.3

CALCULATION OF SYSTEM CURVE				
L (ft.)	153			
d (in)	2			
C (PVC SCH40)	150			
h _{static} (ft.)	35			
Q (GPM)	20	27	35	45
h _f	1.325	2.309	3.732	5.940
h_{total}	36.3	37.3	38.7	40.9



POWDER MOUNTAIN HOUSE

OWNER:
TOM BUTTGENBACH
8845 EASET COPPER CREST
EDEN, UT 84310

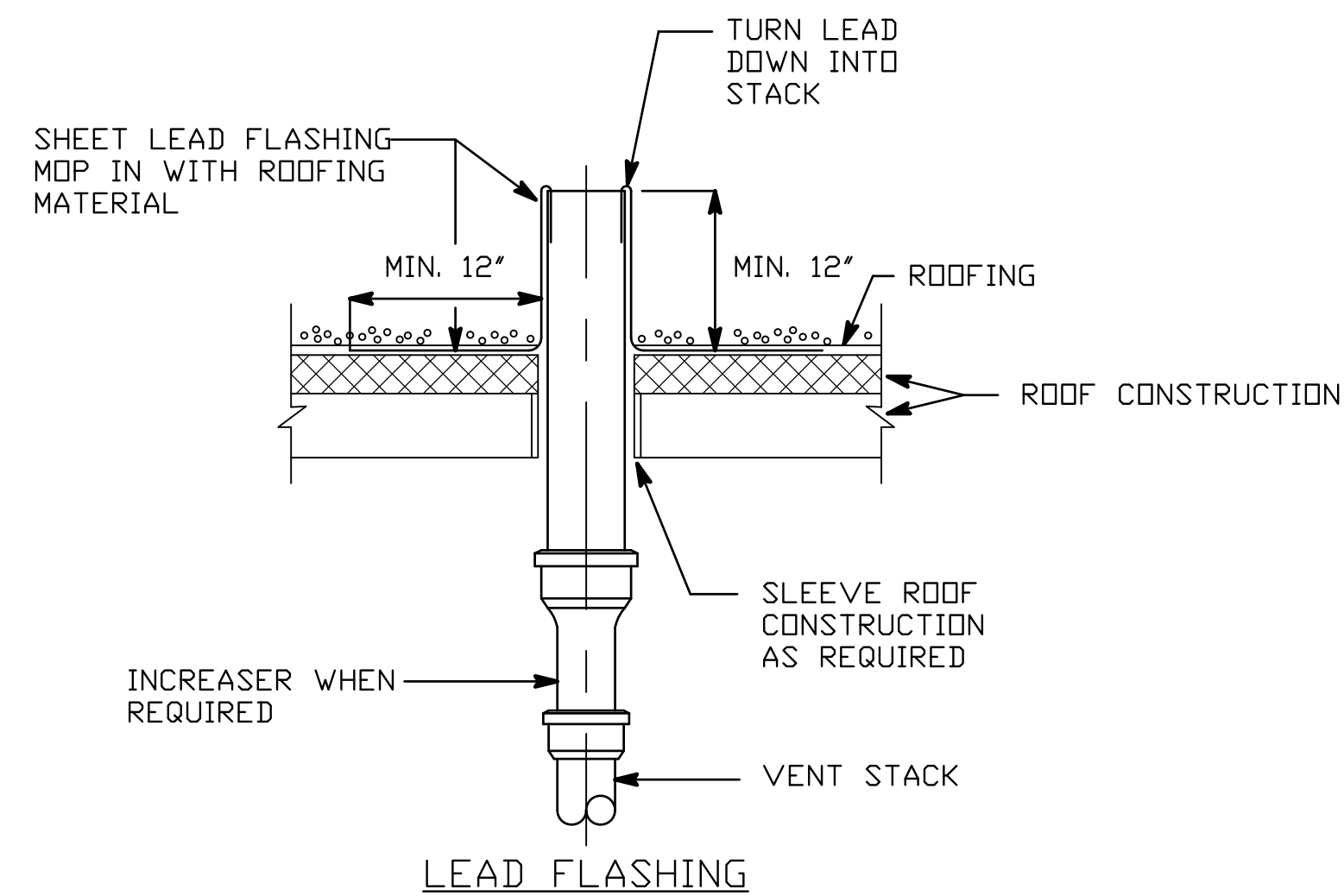
ARCHITECT: TOM WISCOMBE ARCHITECTURE <small>2404 WILSHIRE BLVD., SUITE 40 LOS ANGELES, CA 90057 (213) 874-7228 WWW.TOMWISCOMBE.COM</small>	STRUCTURAL ENGINEER: NOUS <small>527 W 7TH STREET LOS ANGELES, CA 90014 (213) 627-8867 WWW.NOUSENGINEERING.COM</small>	CIVIL ENGINEER: TALISMAN <small>5277 SOUTH STATE STREET MIRROBY, UT 84107 (801) 743-1300 WWW.TALISMANCIVIL.COM</small>	MECHANICAL / PLUMBING: SHAMIM <small>5530 CROBIN AVE., SUITE 300 TARZANA, CA 91356 (818) 788-8778 WWW.SHAMIMENGINEERING.COM</small>	ELECTRICAL: ABRARI ENGINEERING <small>GLENDALE, CA (120) 458-7894 WWW.ABRARI.COM</small>	NGBS CONSULTING: ARGENTO/GRAHAM <small>811 WEST 7TH STREET, 10TH FLOOR LOS ANGELES, CA 90017 (323) 538-2578 WWW.ARGENTOGRAHAM.COM</small>	GEOTECHNICAL: IGES <small>2702 SOUTH 1030 WEST SUITE 10 SOUTH SALT LAKE, UT 84020 (801) 270-9400 WWW.IGESINC.COM</small>	LANDSCAPE ARCHITECT: LDG <small>328 W 200 S SUITE 102 SALT LAKE CITY, UT 84101 (801) 583-1255</small>	LIGHTING DESIGNER: KGM <small>328 W 200 S SUITE 102 SALT LAKE CITY, UT 84101 (801) 583-1255 WWW.KGMLIGHTING.COM</small>
--	--	--	---	--	---	--	---	---



EXP:03-31-2021

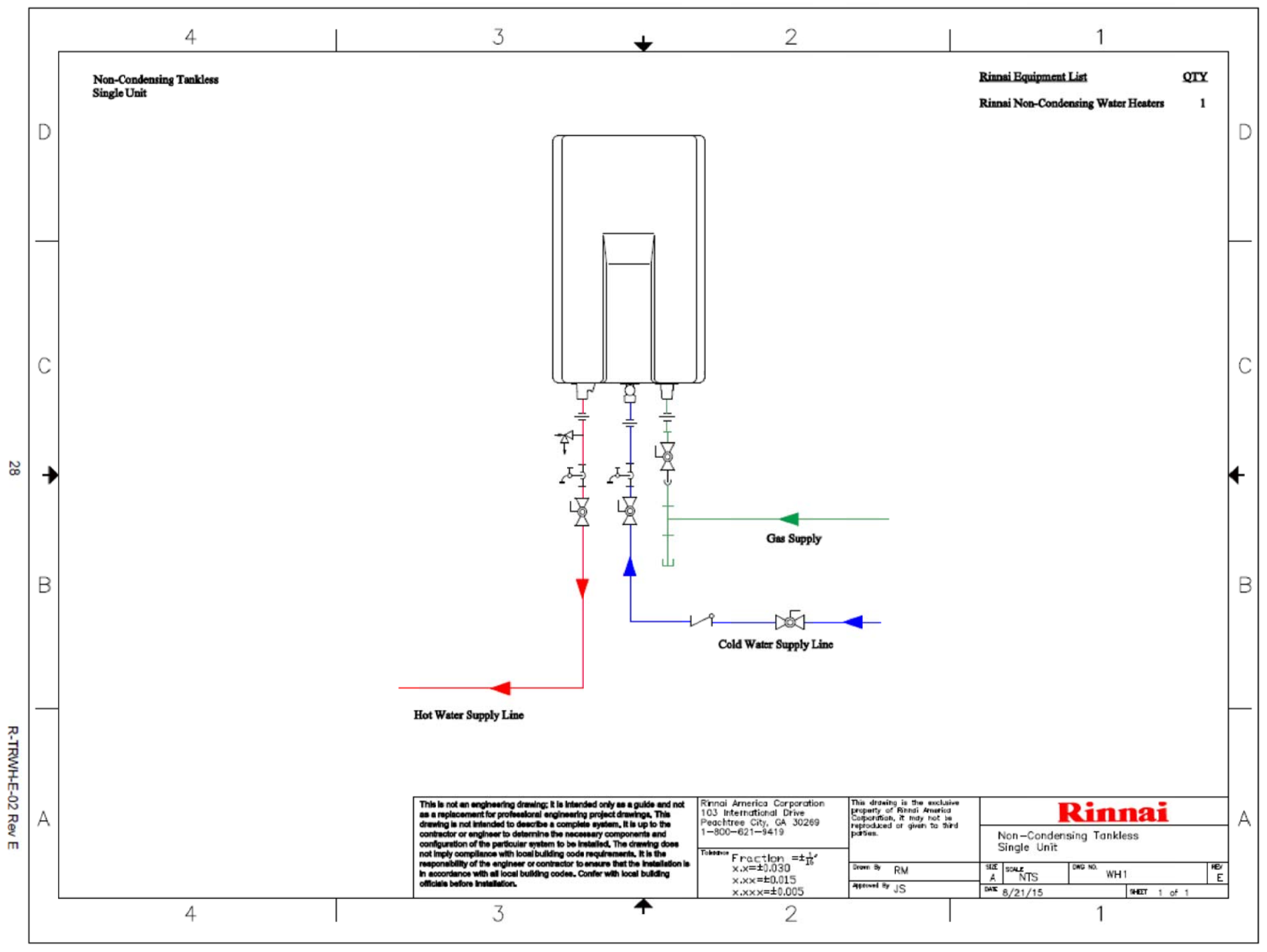
SEWAGE EJECTOR DETAIL SHEET

REVISIONS:	BY:	DATE:	DATE:
			02/15/2019
		SCALE:	DRAWN:
		AS SHOWN	G.F.
		SHEET:	
		P8.3	



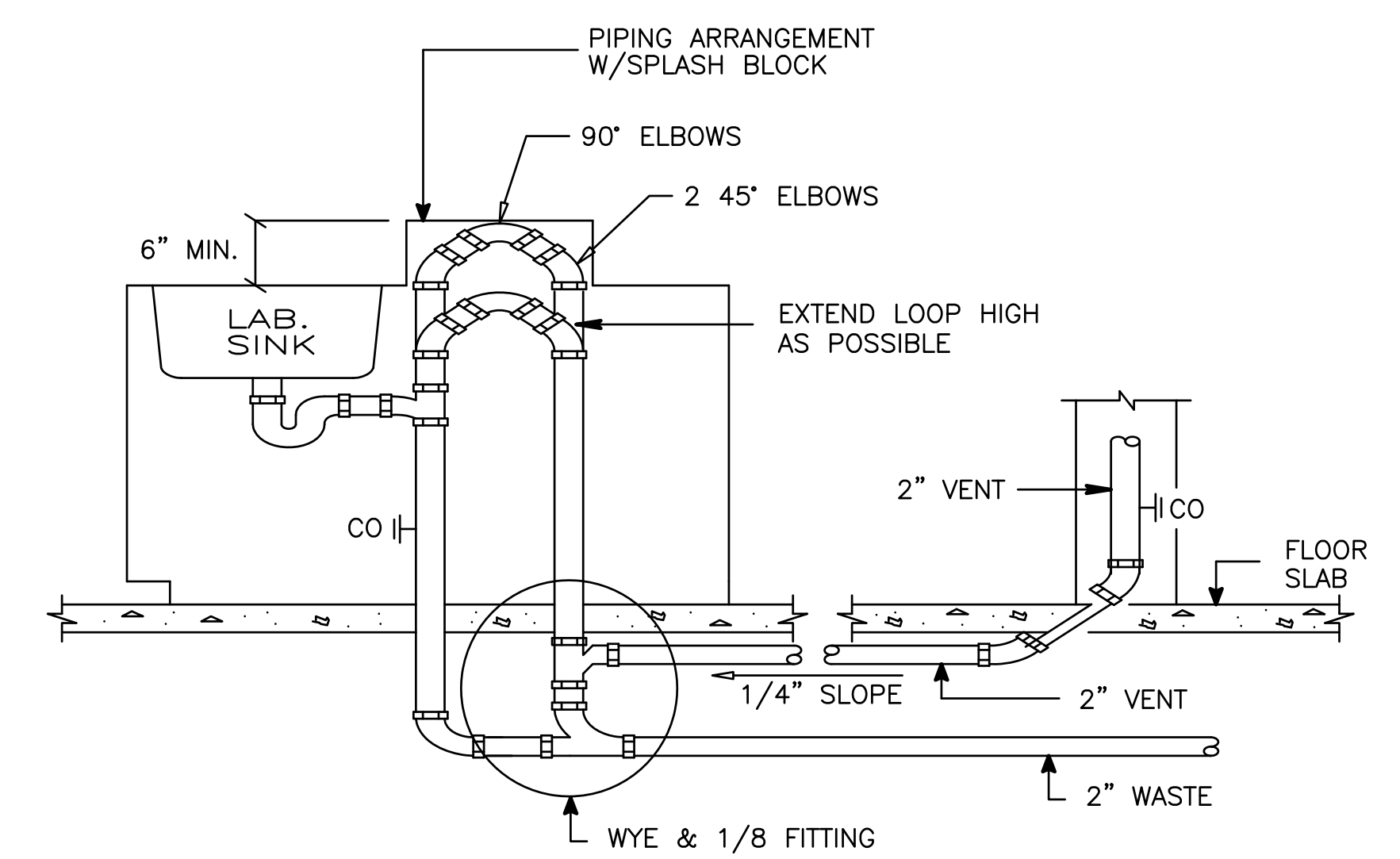
PIPE THRU ROOF DETAIL

SCALE NONE A



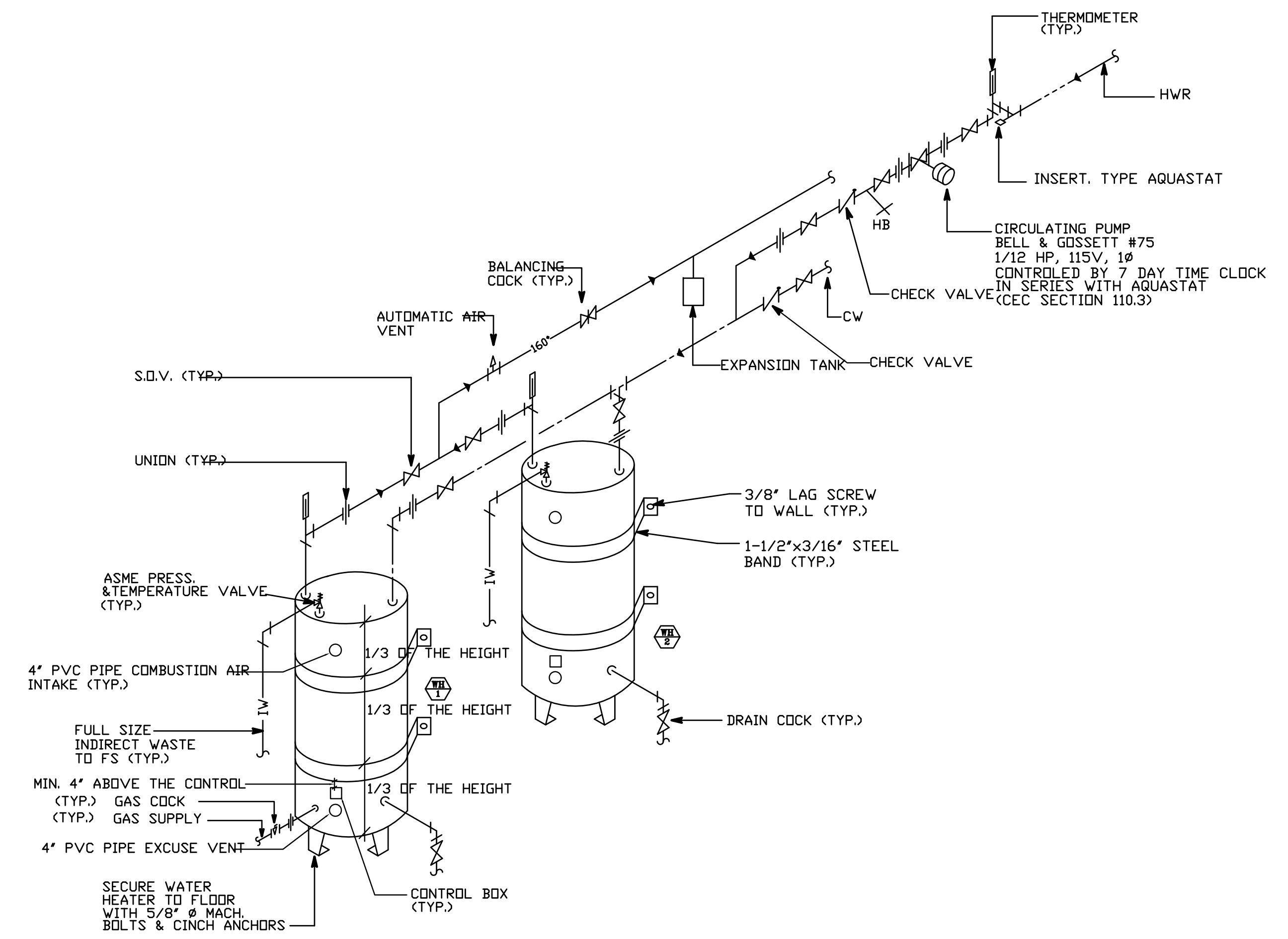
WATER HEATER # 3 DETAIL

SCALE NONE B



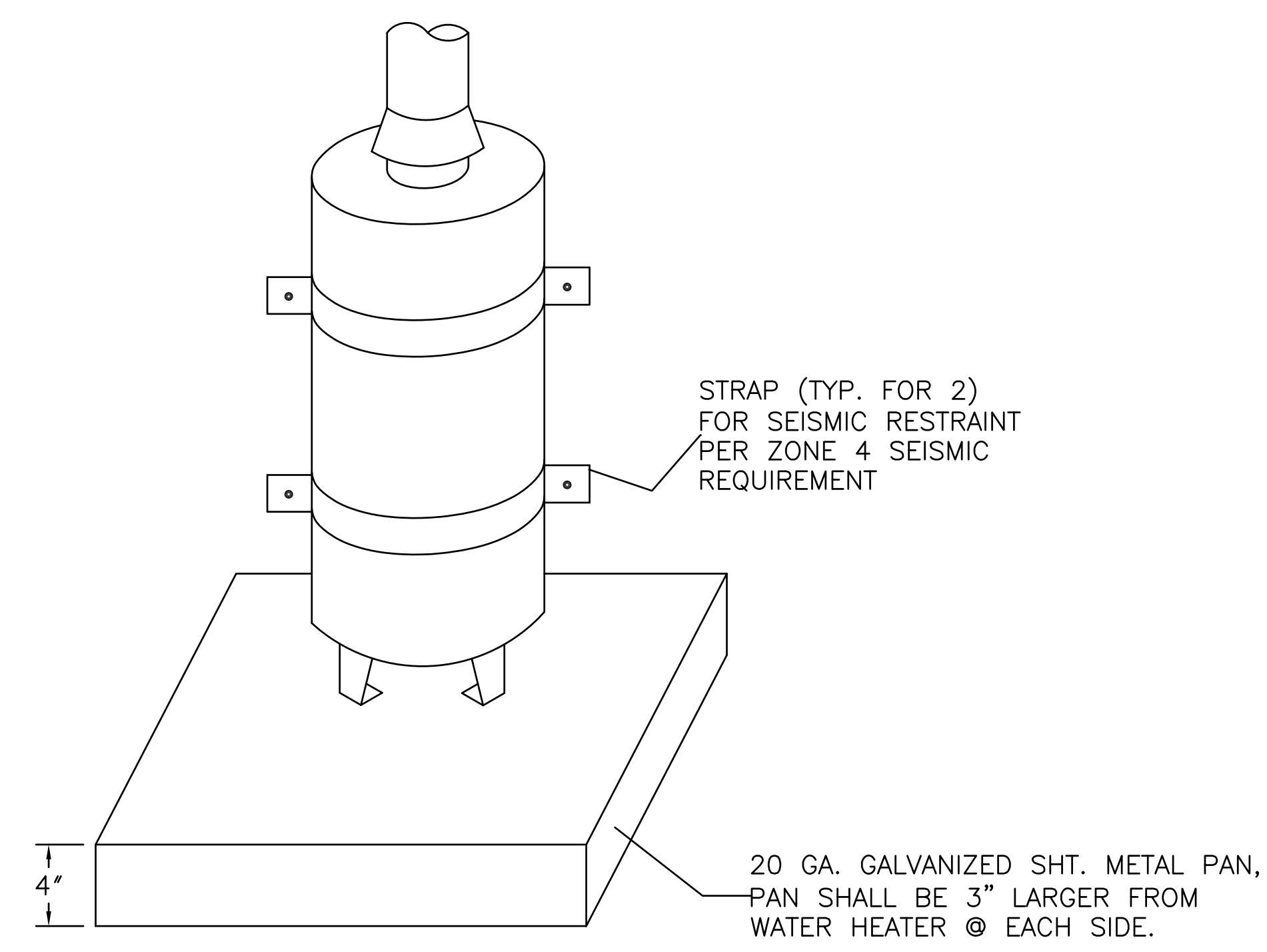
ISLAND WASTE & VENT PIPING DETAIL

SCALE NONE C



DIRECT VENT WATER HEATER DETAIL # 1 & 2

SCALE NONE D



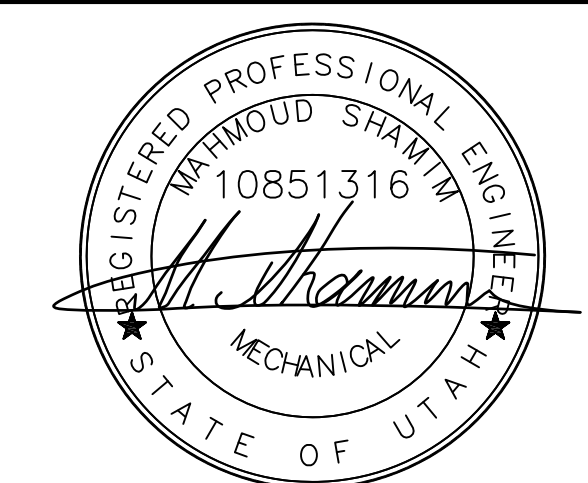
WATER HEATER # 1 & 2 SUPPORT DETAIL

SCALE NONE E

POWDER MOUNTAIN HOUSE

OWNER:
TOM BUTTGENBACH
8845 EASET COPPER CREST
EDEN, UT 84310

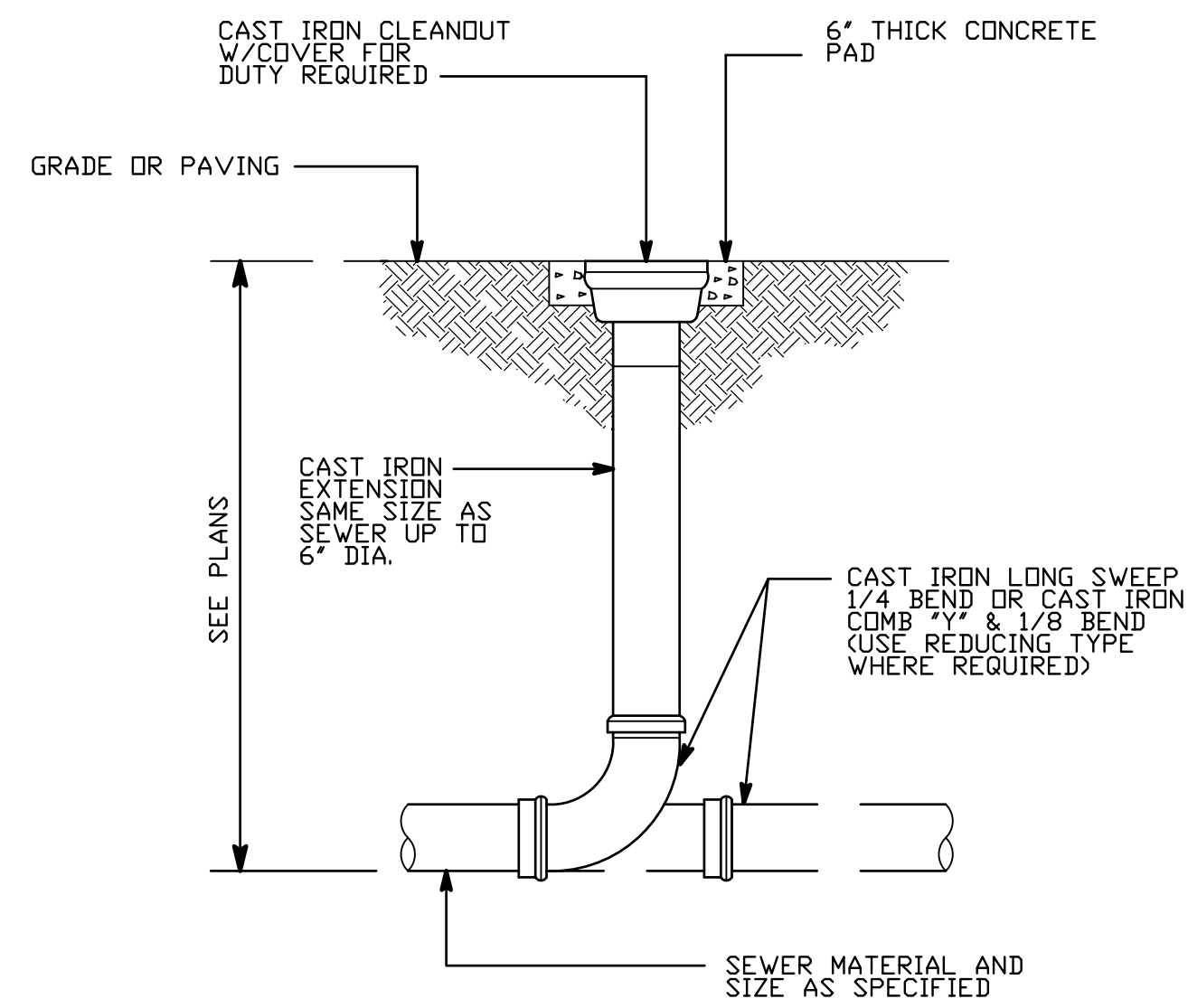
ARCHITECT: TOM WISCOMBE ARCHITECTURE 2404 WILSHIRE BLVD., SUITE 40 LOS ANGELES, CA 90067 (213) 874-7228 WWW.TOMWISCOMBE.COM	STRUCTURAL ENGINEER: NOUS 5217 W 7TH STREET LOS ANGELES, CA 90014 (213) 827-8887 WWW.NOUSENGINEERING.COM	CIVIL ENGINEER: TALISMAN 5217 SOUTH SHORE STREET MIRRBAY, UT 84107 (801) 743-1300 WWW.TALISMANCIVIL.COM	MECHANICAL / PLUMBING: SHAMIM 5500 CORBIN AVE., SUITE 300 TAZARMA, CA 91306 (818) 788-8778 WWW.SHAMIMENGINEERING.COM	ELECTRICAL: ABRARI ENGINEERING GLENDALE, CA (323) 458-7894 WWW.ABRARI.COM	NGBS CONSULTING: ARGENTO/GRAHAM 811 WEST 7TH STREET, 10TH FLOOR LOS ANGELES, CA 90017 (323) 538-2578 WWW.ARGENTOGRAHAM.COM	GEOTECHNICAL: IGES 2702 SOUTH 1030 WEST SUITE 10 SALT LAKE CITY, UT 84102 (801) 270-9400 WWW.IGESINC.COM	LANDSCAPE ARCHITECT: LDG 328 W 200 S SUITE 102 SALT LAKE CITY, UT 84101 (801) 583-1285	LIGHTING DESIGNER: KGM 328 W 200 S SUITE 102 SALT LAKE CITY, UT 84101 (801) 583-1285 WWW.KGMLIGHTING.COM
--	---	--	---	---	---	---	--	---



EXP:03-31-2021

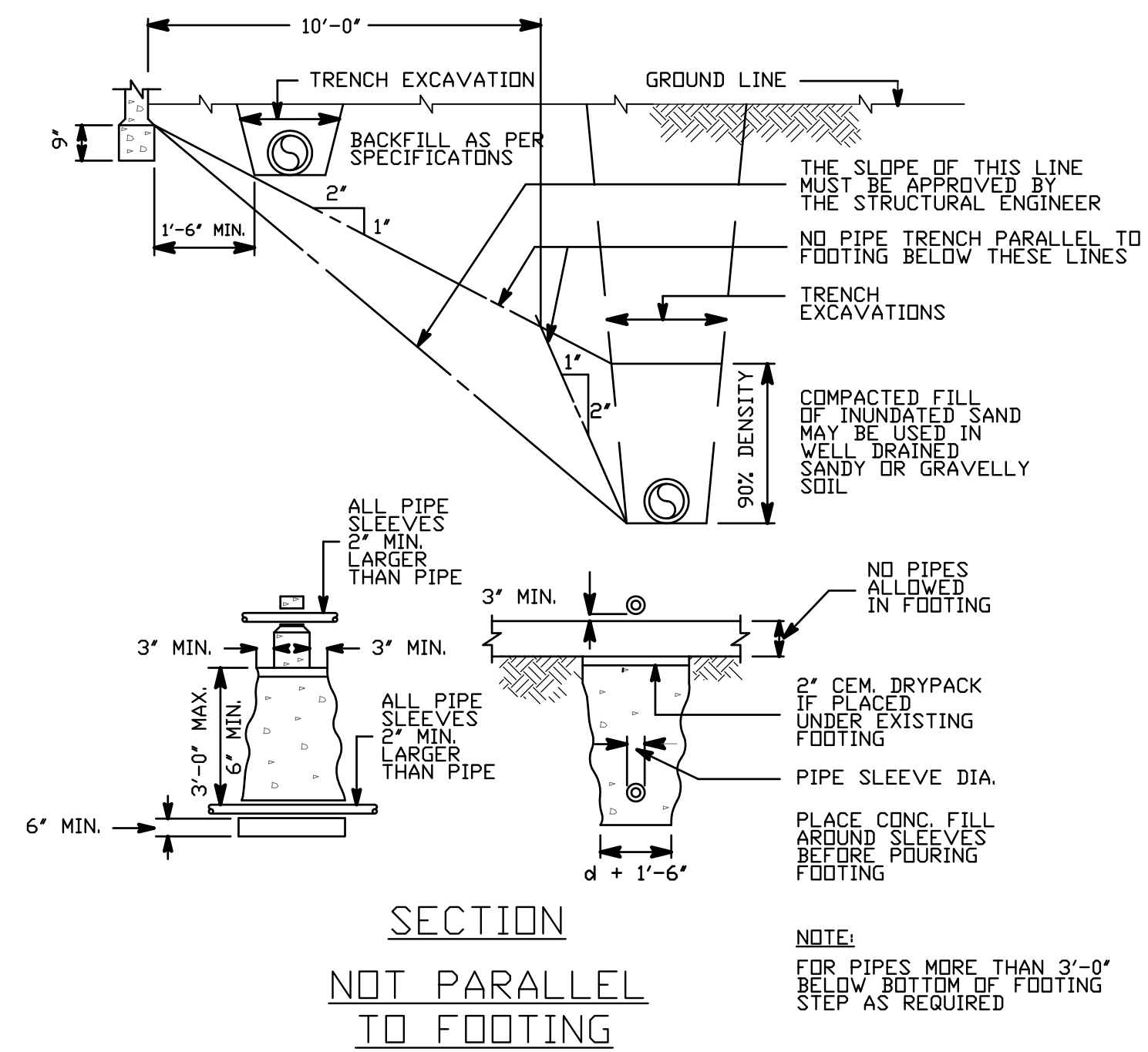
RISER DIAGRAM

REVISIONS:	BY:	DATE:	DATE:
			02/15/2019
			SCALE: AS SHOWN
			DRAWN: G.F.
			SHEET:
			P9.0



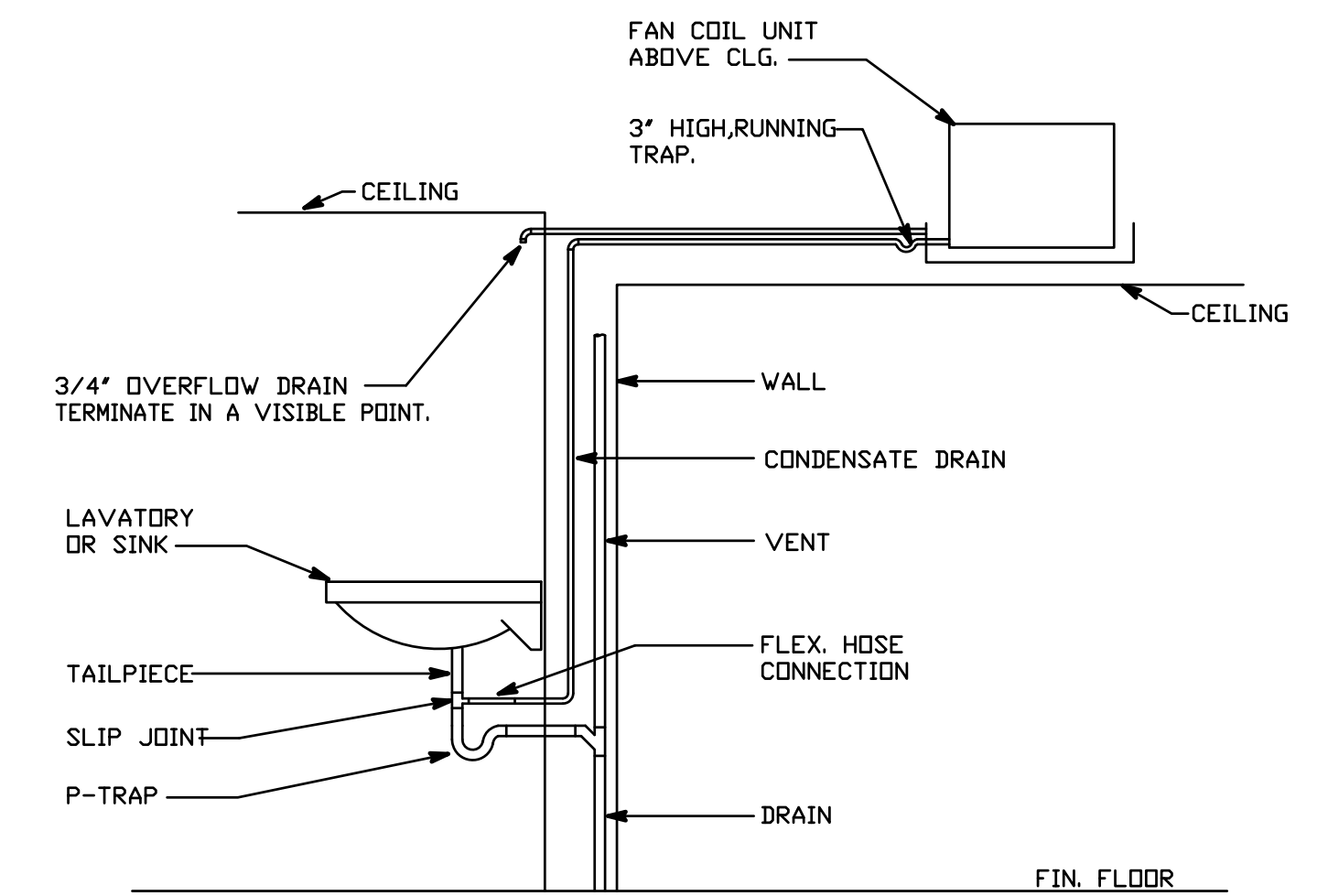
FLOOR CLEANOUT DETAIL

SCALE NONE A



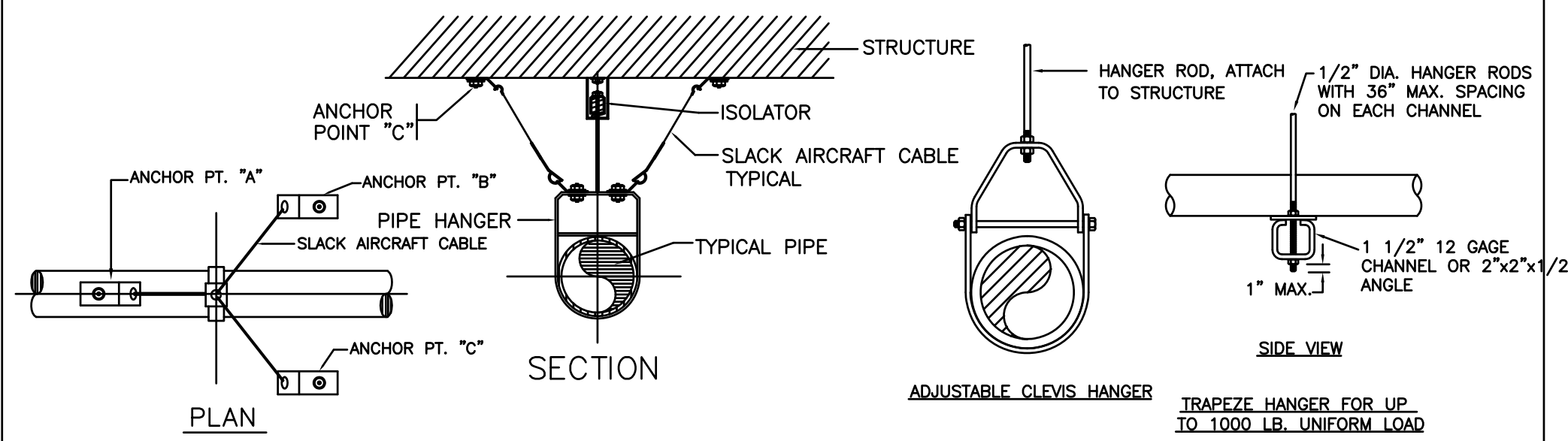
PIPING DETAIL AT FOOTING

SCALE NONE B

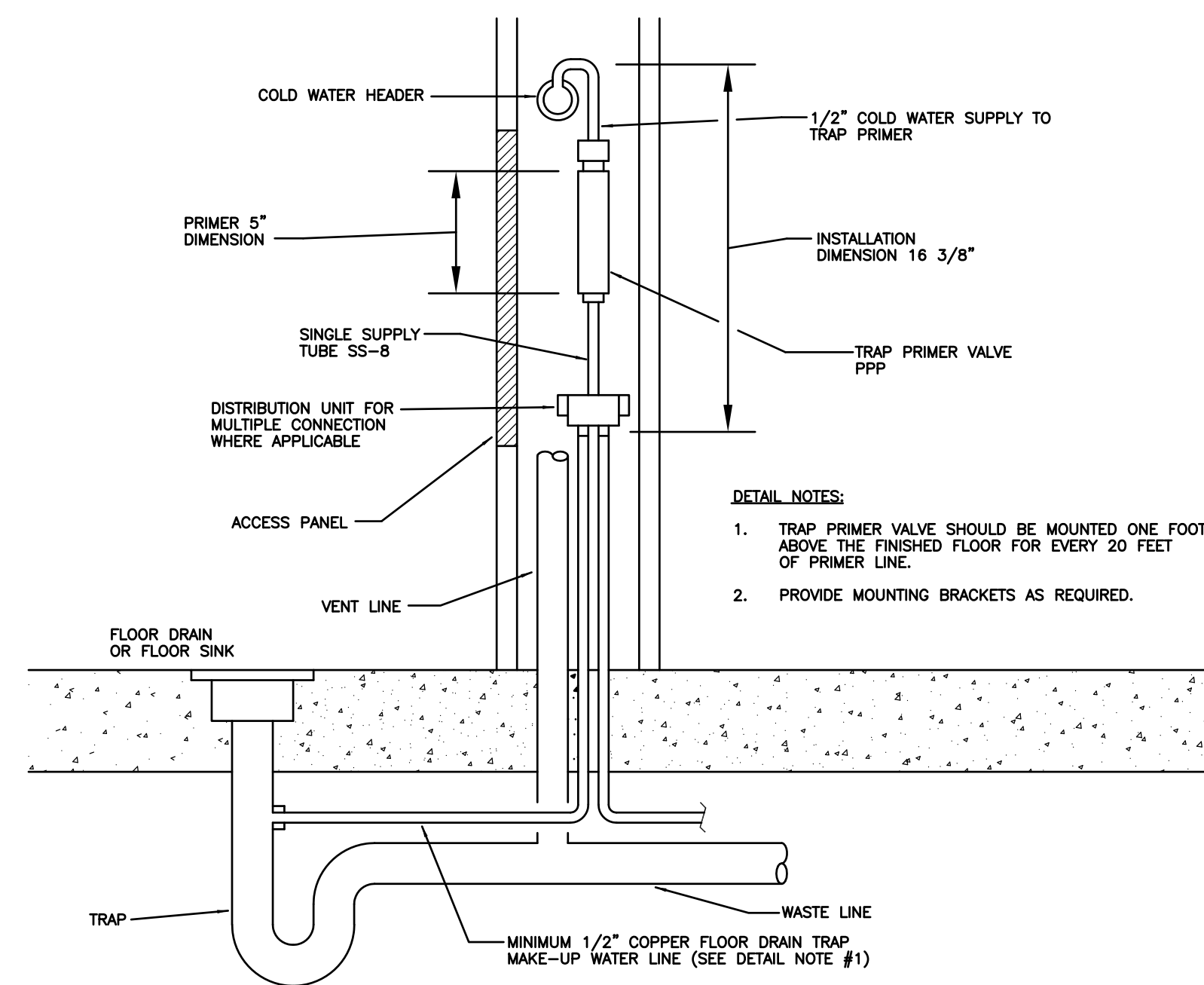


CONDENSATE DRAIN DETAIL

SCALE NONE C

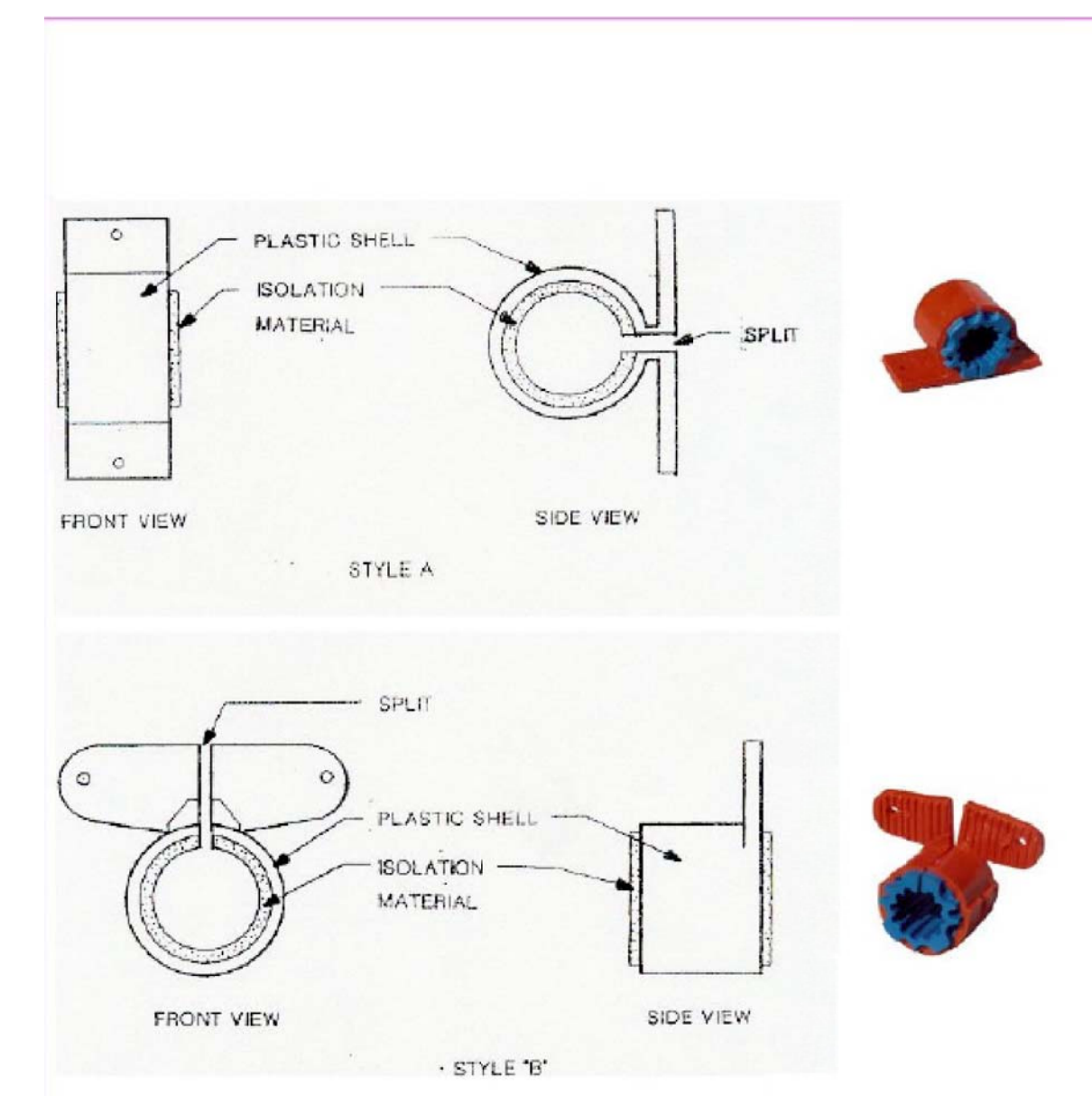


SEISMIC BRACING PIPE HANGER DETAIL



TRAP PRIMER INSTALLATION DETAIL

SCALE NONE D



SINGLE PIPE SUPPORT DETAIL

SCALE NONE E

POWDER MOUNTAIN HOUSE

OWNER:
TOM BUTTGENBACH
8845 EASET COPPER CREST
EDEN, UT 84310

ARCHITECT:
TOM WISCOMBE ARCHITECTURE

2404 WILSHIRE BLVD., SUITE 40
LOS ANGELES, CA 90007
(213) 674-7228
WWW.TOMWISCOMBE.COM

STRUCTURAL ENGINEER:
NOUS

527 W 7TH STREET
LOS ANGELES, CA 90014
(213) 627-8887
WWW.NOUSENGINEERING.COM

CIVIL ENGINEER:
TALISMAN

5277 SOUTH STATE STREET
MIRAMAR, UT 84017
(801) 743-1300
WWW.TALISMANCIVIL.COM

MECHANICAL / PLUMBING:
SHAMIM

5500 CORBIN AVE., SUITE 300
TARAZAMA, CA 90136
(818) 788-6778
WWW.SHAMIMENGINEERING.COM

ELECTRICAL:
ABRARI ENGINEERING

GLENDALE, CA
(626) 456-7894
WWW.ABRARI.COM

NGBS CONSULTING:
ARGENTO/GRAHAM

811 WEST 7TH STREET, 10TH FLOOR
LOS ANGELES, CA 90017
(323) 536-2576
WWW.ARGENTOGRAHAM.COM

GEOTECHNICAL:
IGES

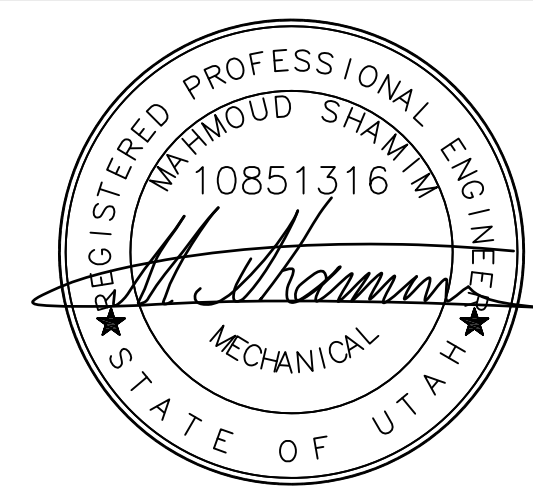
2702 SOUTH 1030 WEST QUITE RD
SOUTH SALT LAKE, UT 84020
(801) 270-9400
WWW.IGESINC.COM

LANDSCAPE ARCHITECT:
LDG

328 W 200 S, SUITE 102
SALT LAKE CITY, UT 84101
(801) 583-1285

LIGHTING DESIGNER:
KGM

328 W 200 S, SUITE 102
SALT LAKE CITY, UT 84101
(801) 583-1285
WWW.KGMLIGHTING.COM



EXP:03-31-2021

RISER DIAGRAM

REVISIONS: BY: DATE: DATE: 02/15/2019

SCALE: AS SHOWN DRAWN: G.F.

SHEET: P9.1