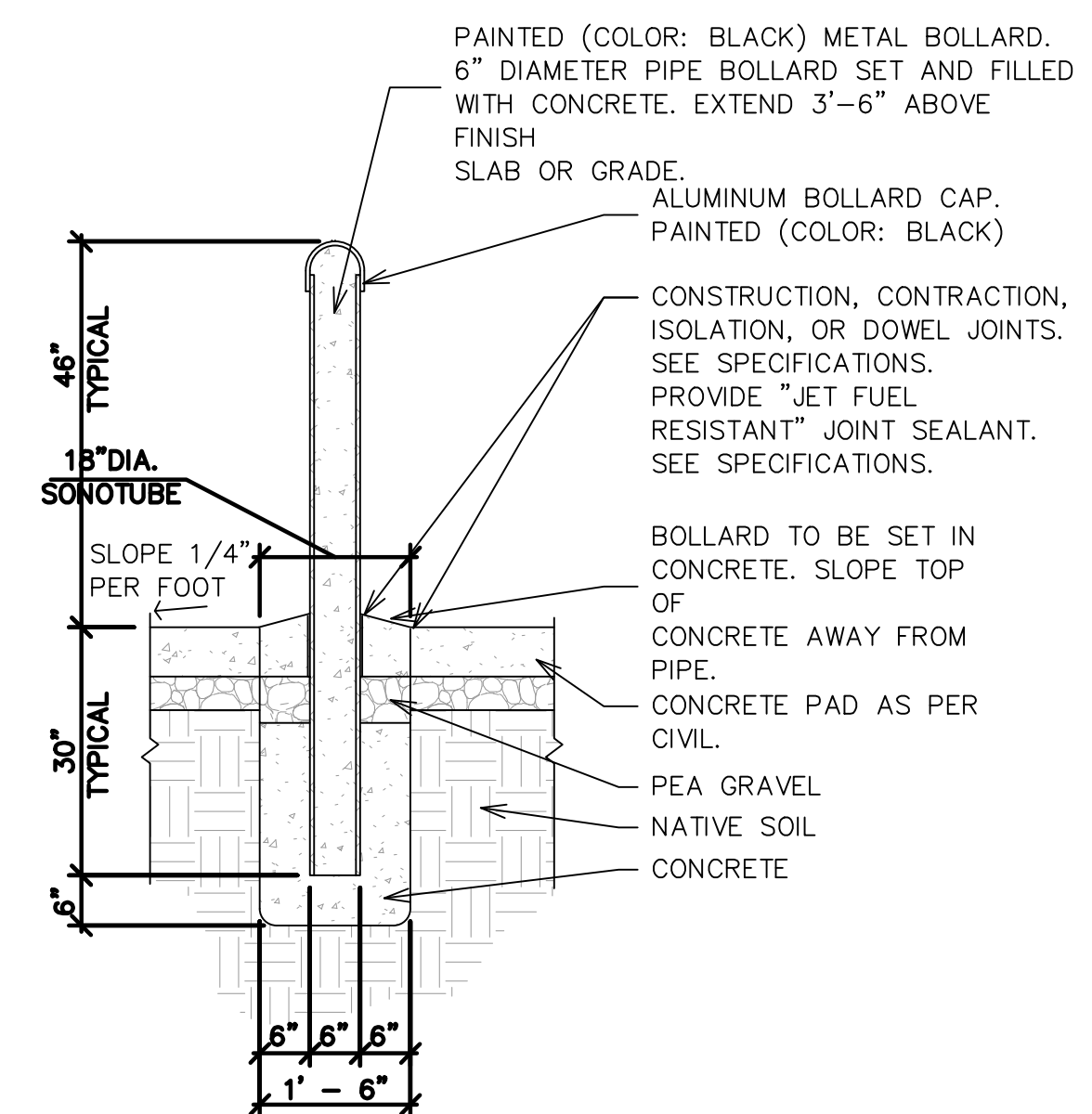
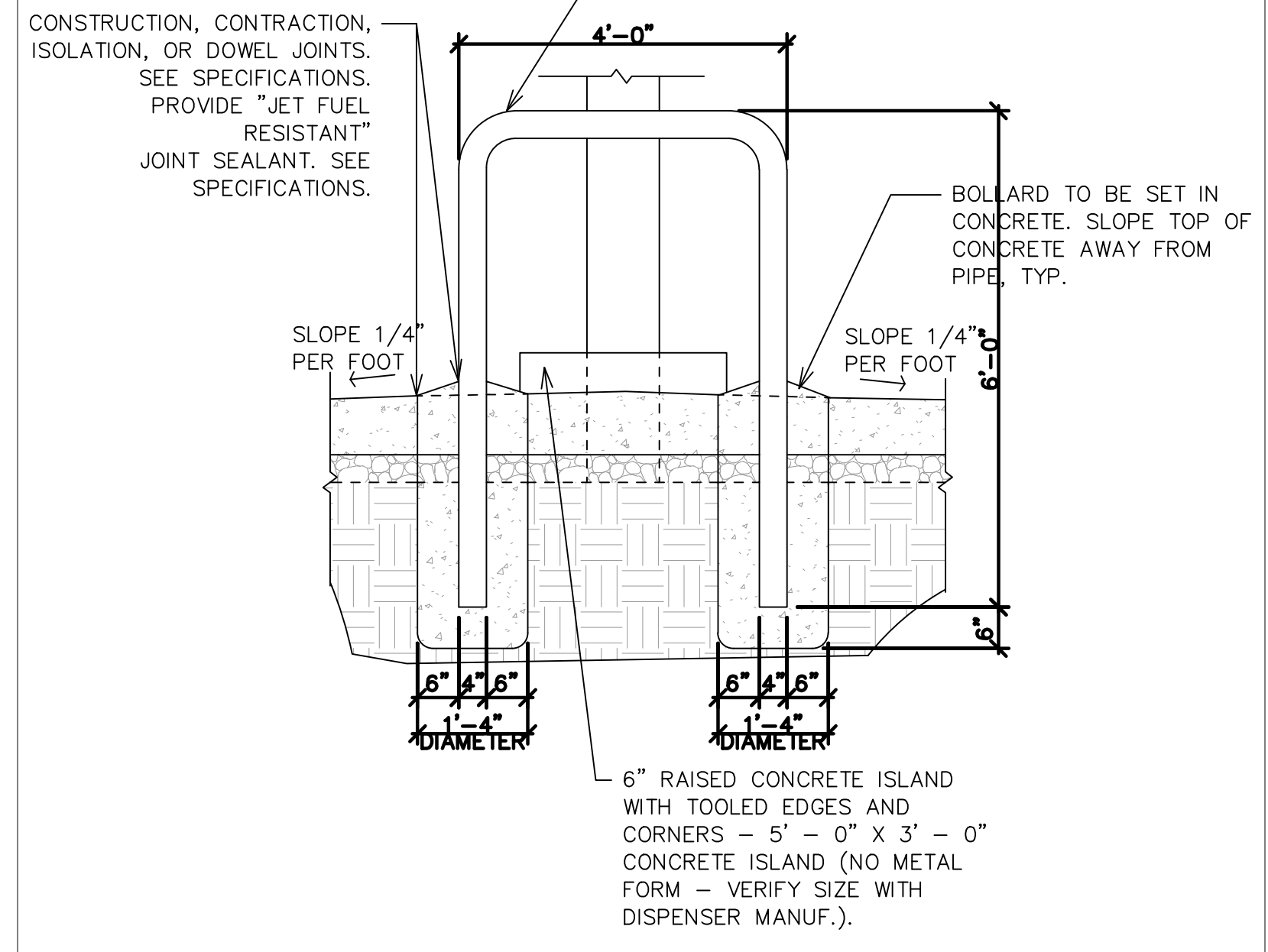


**1 Typical Bollard Spacing**  
SCALE: NONE

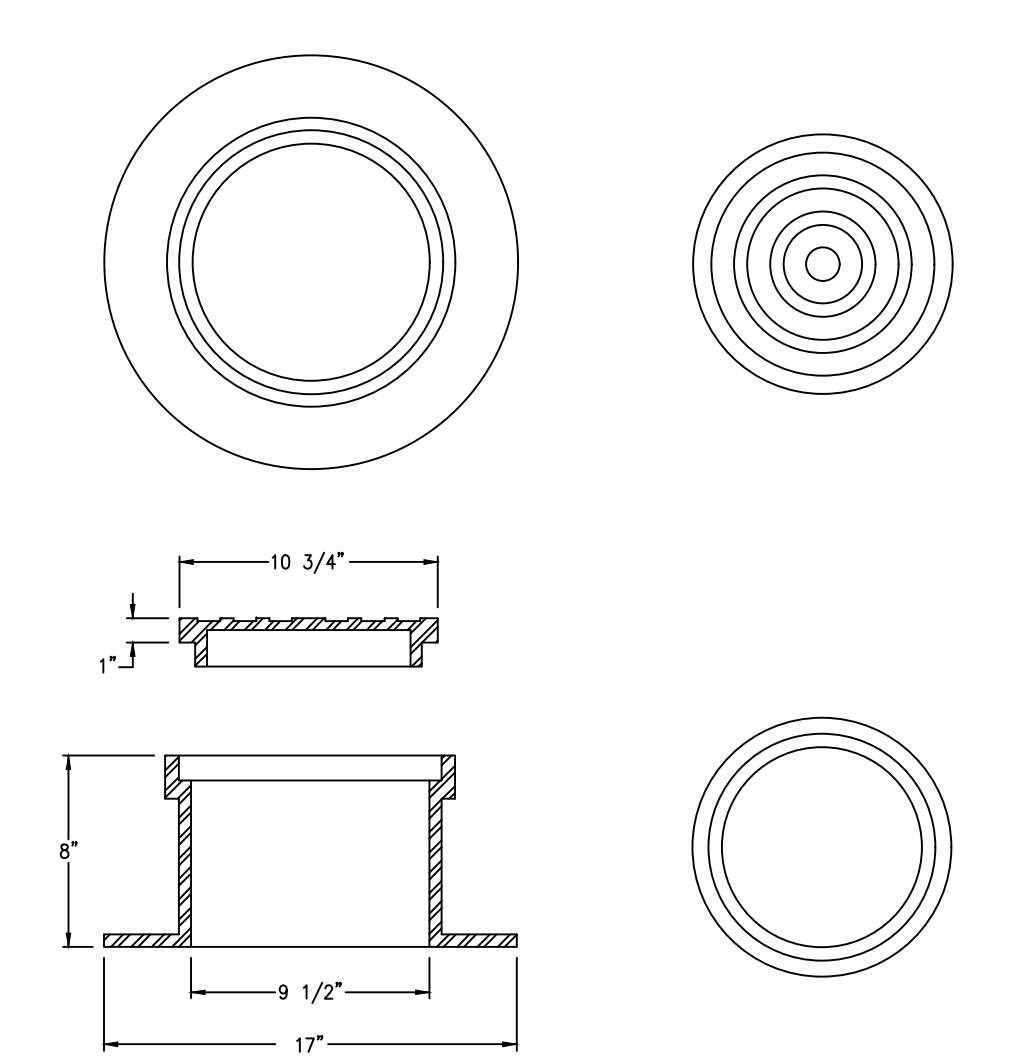


**2 Pipe Bollard Detail**  
SCALE: NONE



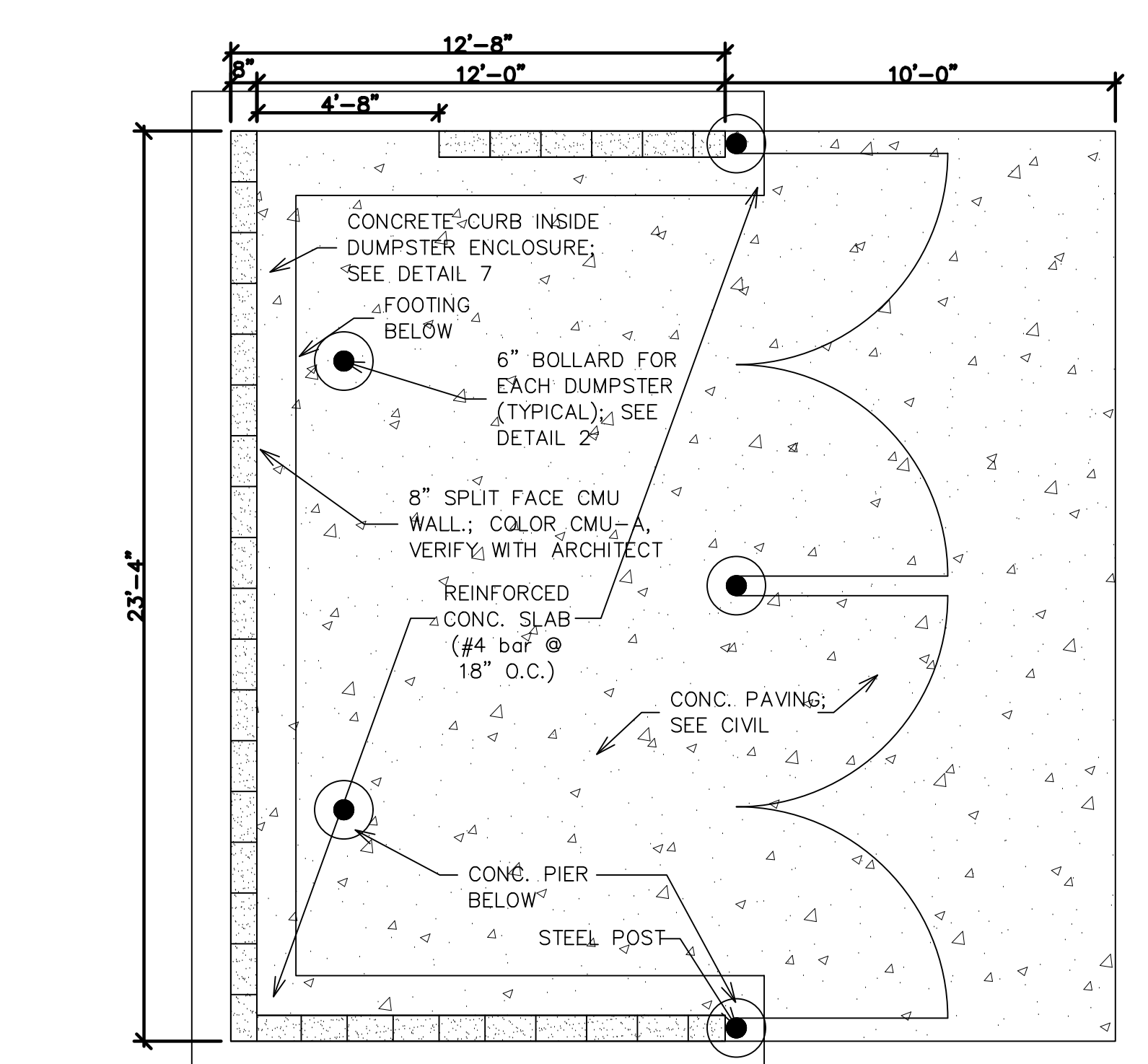
**3 'Hoop' Bollard Detail**  
SCALE: NONE

**H-8030 Cleanout Frame and Cover**

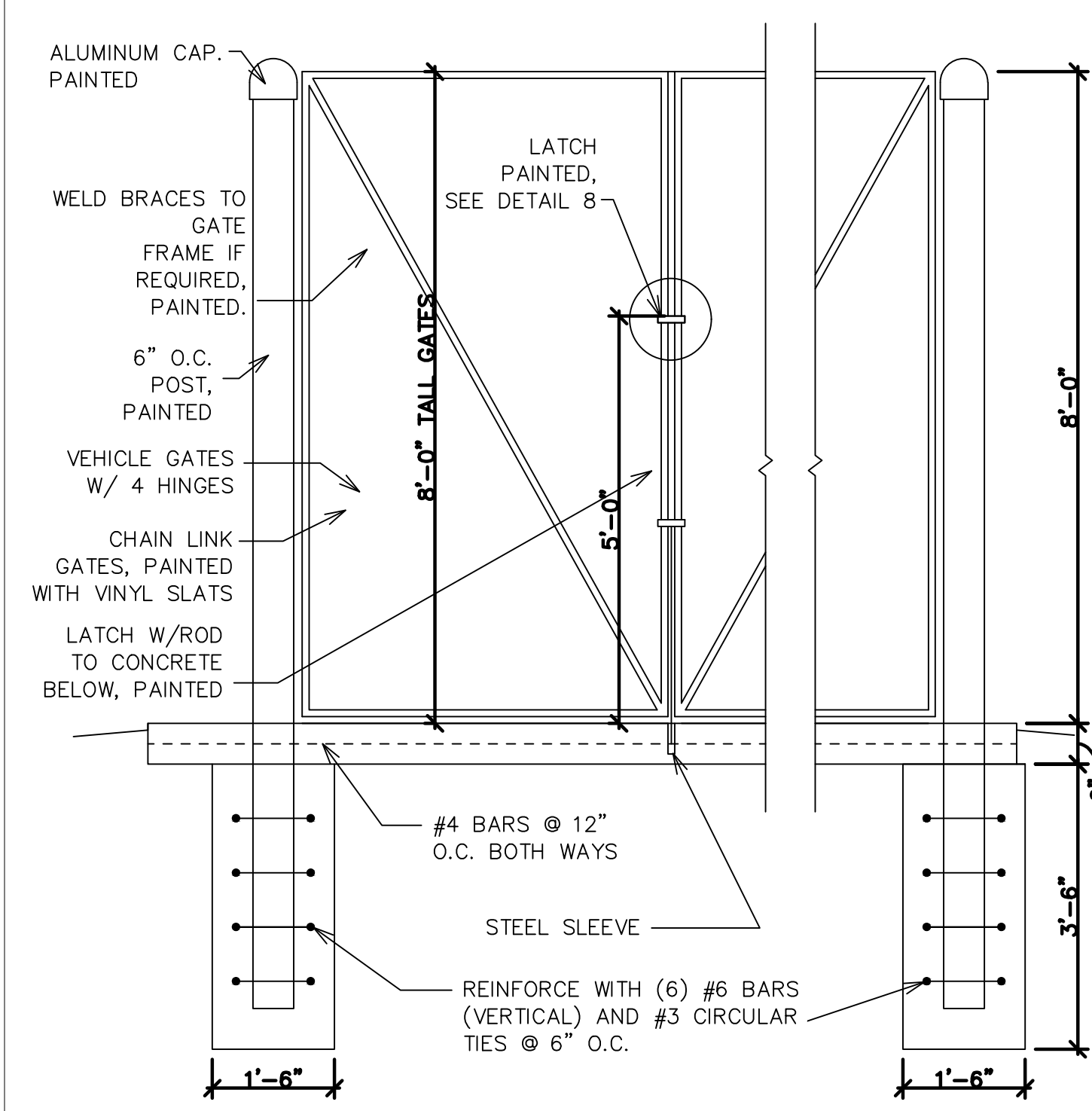


CAST IRON TO CONFORM TO ASTM A-48, CLASS 35B H-20 WHEEL LOADING	D&L No. H-8030 Est. Weight 77 lbs.	D&L Supply D&L Foundry P.O. Box 3174 Moose Lake, MN 56837 Phone: (800) 765-7952 Fax: (800) 765-8124
--	---------------------------------------	--

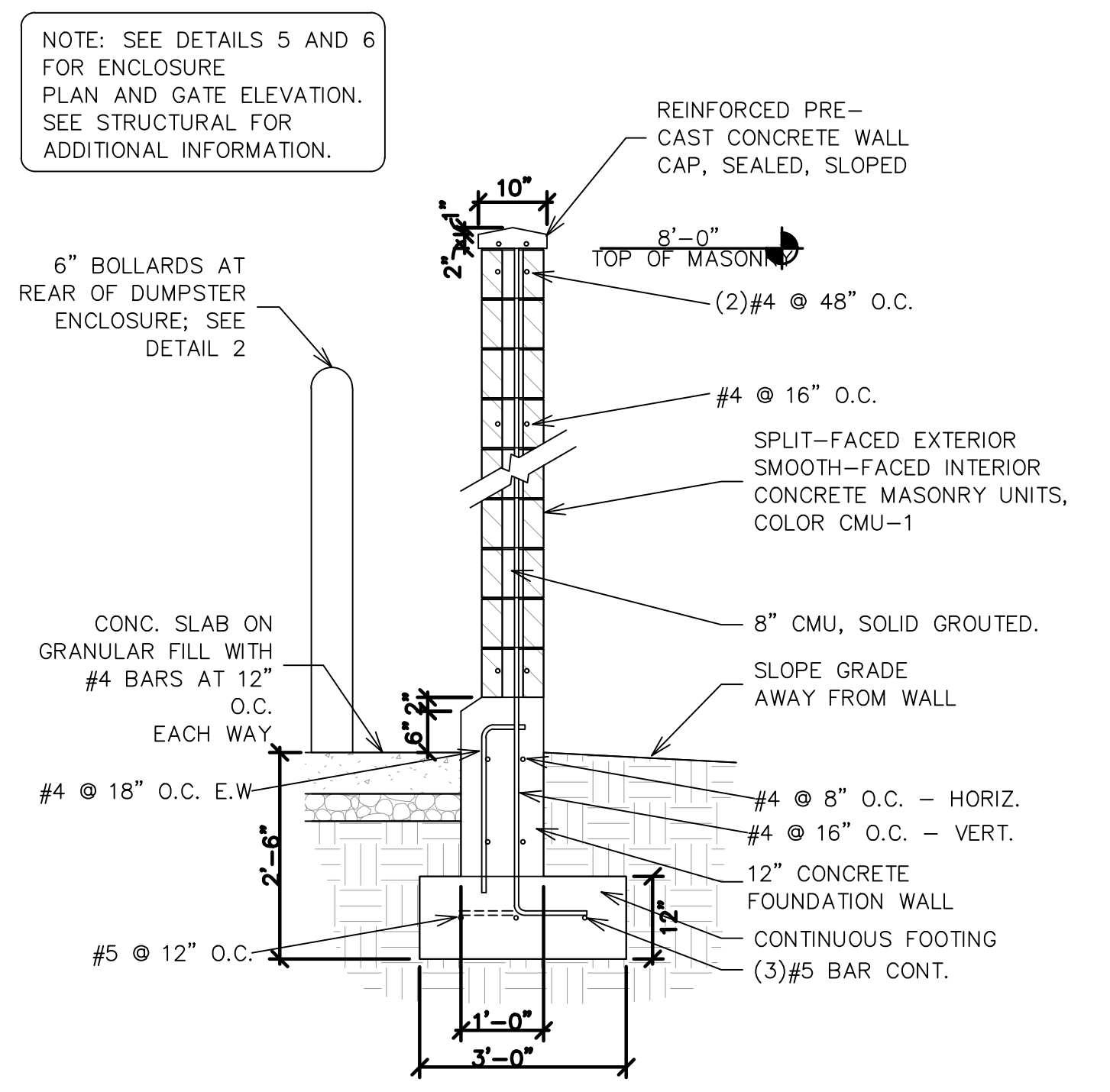
**4 Clean-Out Frame & Cover**  
SCALE: NONE



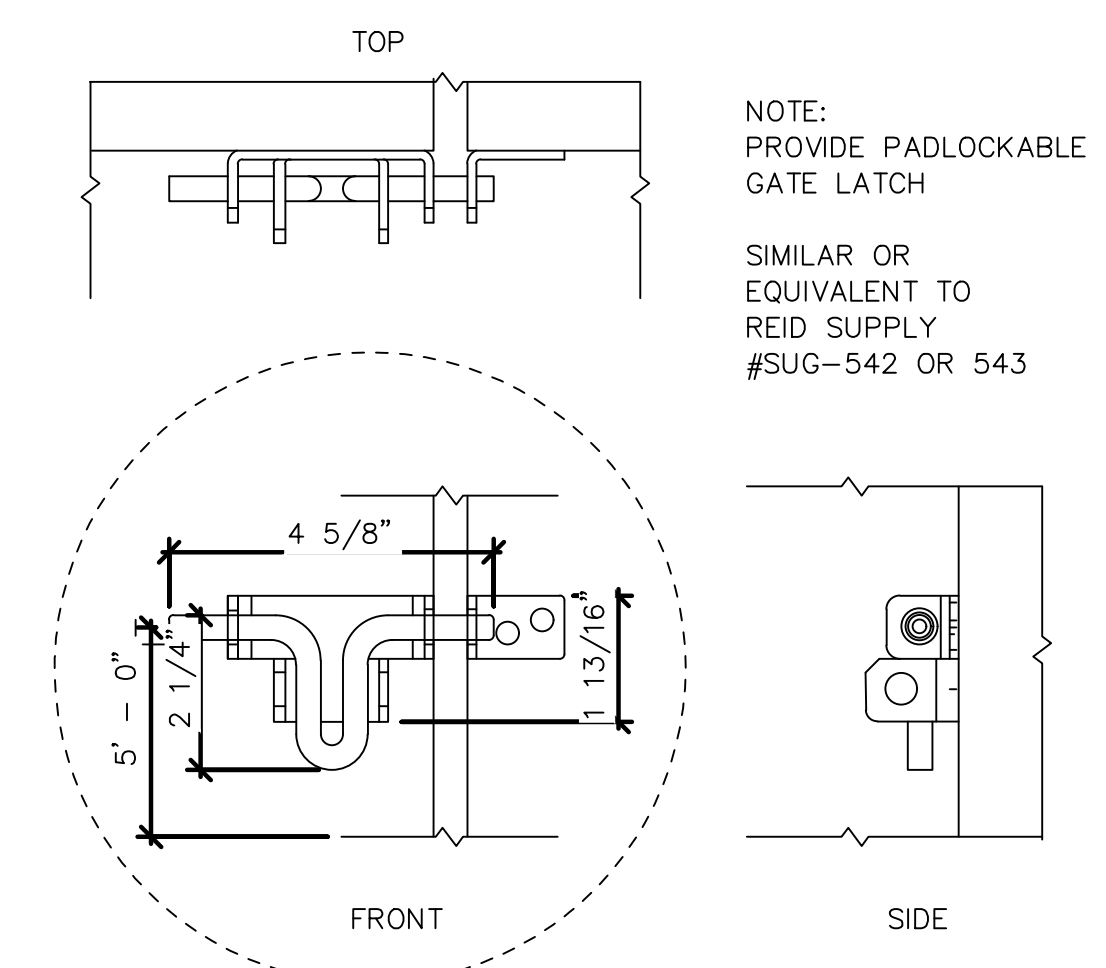
**5 Trash Enclosure Plan**  
SCALE: NONE



**6 Trash Enclosure Gate Detail**  
SCALE: NONE



**7 Trash Enclosure Wall Section**  
SCALE: NONE



**8 Trash Enclosure Gate Latch Detail**  
SCALE: NONE

**RA Reeve & Associates, Inc.**  
5160 SOUTH 1500 WEST  
RIVERDALE, UTAH 84405  
TEL: (801) 621-3100  
FAX: (801) 621-2666  
www.reeve-assoc.com

LAND PLANNERS \* CIVIL ENGINEERS  
LAND SURVEYORS \* TRAFFIC ENGINEERS  
STRUCTURAL ENGINEERS \* LANDSCAPE ARCHITECTS

PROJECT NUMBER: 5799-230  
DRAWN BY: RWH  
ENGINEER: JNR

PROJECT NUMBER

ISSUE DATE:  
APR. 13, 2018

REVISIONS:

No.	Date	Description

NOTE:  
Bid documents should not be separated or issued as partial sets to subcontractors. Bidders are responsible for all portions of the documents that pertain to work covered by sub-bids. Bidder assumes full responsibility for error or misinterpretations resulting from partial sets of Bidding Documents by itself or any sub-bidder.

Conflicting information or errors found in the construction documents should be brought to the attention of the architect immediately. In the event of a conflict in the drawings, bidder should not assume the least expensive option will meet the project requirements.

ADVENTURE'S FIRST STOP  
**MAVERIK**

**MAVERIK, INC. STORE #250**  
5100 EAST & 2500 NORTH  
EDEN, UTAH

SHEET TITLE  
**CIVIL DETAILS**

**C9.1**

REGISTERED PROFESSIONAL ENGINEER  
375328  
J. NATE REEVE  
STATE OF UTAH

**JZW ARCHITECTS**