

March 13, 2018
Issued for Construction

MacKay-Lyons Sweetapple
 Architects Limited

2188 Gottingen Street
 Halifax, Nova Scotia Canada B3K 3B4
 ph: (902) 429-1867 fax: (902) 429-6276

Blackwell
 Structural Engineers

19 Duncan Street, Suite 405
 Toronto, Ontario Canada M5H 3H1
 ph: (416) 593-5300 fax: (416) 593-4840

Talisman Civil Engineers
 Civil Engineers

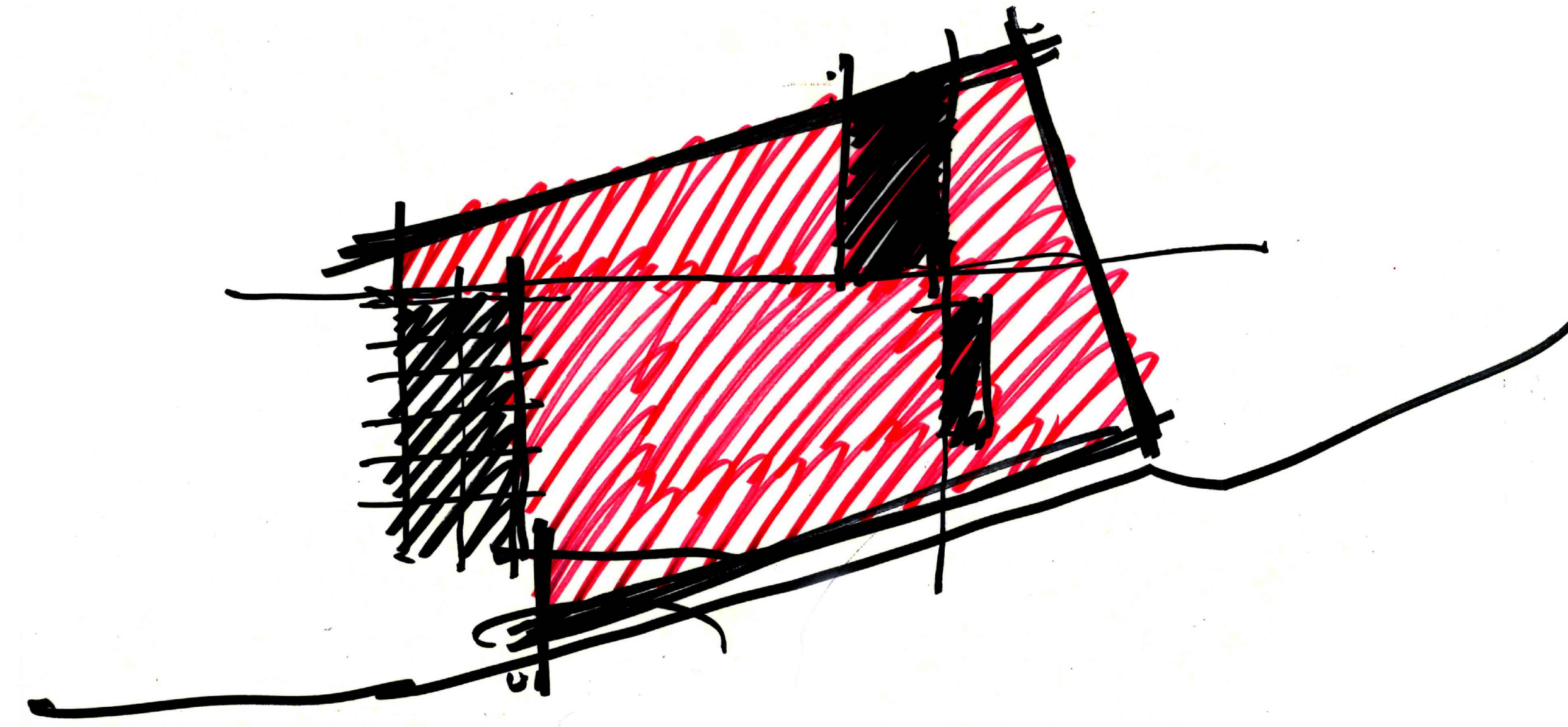
5217 S State St #200
 Murray, Utah, United States 84107
 ph: (801) 743-1300

IGES
 Geotechnical Engineers

12429 South Street 300 East, Suite 100
 Draper, Utah, United States 84020-8770
 ph: (801) 748-4045

Edge Builders LLC
 Construction Management

P.O. Box 17404,
 Salt Lake City, Utah, United States 84117
 ph: (801) 879-6200



CIVIL		ARCHITECTURAL		STRUCTURAL	
C101	General Notes and Legend	A001	Partition Types	S-001	General Notes
C201	Site and Utility Plan	A002	Key Plan, Abbreviations, Schedules	S-002	General Notes Cont'd
C202	Horizontal Control Plan	A100	Site Plan	S-003	Typical Details
C301	Grading Plan	A201	Level 1 & 2 Floor Plans	S-004	Typical Details Continued
C601	Erosion Control Plan	A202	Level 3 & 4 Floor Plans	S-100	Foundation Plan
C701	Details	A300	Exterior Elevations	S-101	Level 2 Framing Plan
		A301	Exterior Elevations	S-102	Level 3 Framing Plan
		A400	Building Sections	S-103	Level 4 Framing Plan
		A401	Building Sections	S-104	Roof Framing Plan
		A500	Plan Details	S-105	Column Schedule
		A510	Section Details	S-200	Steel Elevations
		A511	Section Details	S-201	Steel Elevations Cont'd
		A600	Millwork - Ground Floor	S-202	Steel Elevations Cont'd
		A601	Millwork - Second Floor	S-203	Steel Connections
		A602	Millwork - Third & Fourth Floor	S-204	Wood Shear Wall Elevations
		A603	Millwork - Fourth Floor	S-205	Wood Shear Wall Elevations
		A604	Millwork Details	S-300	Foundation Sections
		A610	Stair	S-400	Framing Sections
		A611	Stair	S-401	Framing Sections Cont'd
		A800	Level 1 & 2 Electrical Plans	S-402	Framing Sections Cont'd
		A801	Level 3 & 4 Electrical Plans		
		A802	Level 4 Electrical Plan		
		A900	Window/Door Schedule		

Lot 71R

Village House
 Summit Powder Mountain
 8488 E. Spring Park
 Eden, UT
 84310

MidCity Lyon
Sawyer
Architects
Limited

2180 Collingwood Dr.
Halifax, Nova Scotia
Canada B3K 3B4

ph: (902) 429 1807
fax: (902) 429 6276



GENERAL NOTES

- ALL CONSTRUCTION MUST STRICTLY FOLLOW THE STANDARDS AND SPECIFICATIONS SET FORTH BY: GOVERNING UTILITY MUNICIPALITY, GOVERNING CITY OR COUNTY (IF UN-INCORPORATED), INDIVIDUAL PRODUCT MANUFACTURERS, THE DESIGN ENGINEER, AND AMERICAN PUBLIC WORKS ASSOCIATION (APWA). THE ORDER LISTED ABOVE IS ARRANGED BY SENIORITY. IF A CONSTRUCTION PRACTICE IS NOT SPECIFIED BY ANY OF THE LISTED SOURCES, CONTRACTOR MUST CONTACT DESIGN ENGINEER FOR DIRECTION.
- CONTRACTOR TO STRICTLY FOLLOW GEOTECHNICAL RECOMMENDATIONS FOR THIS PROJECT. ALL GRADING INCLUDING BUT NOT LIMITED TO CUT, FILL, COMPACTION, ASPHALT SECTION, SUBBASE, TRENCH EXCAVATION/BACKFILL, SITE GRUBBING, RETAINING WALLS AND FOOTINGS MUST BE COORDINATED DIRECTLY WITH THE PROJECT GEOTECHNICAL ENGINEER.
- TRAFFIC CONTROL, STRIPING & SIGNAGE TO CONFORM TO CURRENT UDOT TRANSPORTATION ENGINEER'S MANUAL AND MANUAL OF UNIFORM TRAFFIC CONTROL DEVICES.
- ANY AREA OUTSIDE THE LIMIT OF WORK THAT IS DISTURBED SHALL BE RESTORED TO ITS ORIGINAL CONDITION AT NO COST TO OWNER.
- CONSULT ALL OF THE DRAWINGS AND SPECIFICATIONS FOR COORDINATION REQUIREMENTS BEFORE COMMENCING CONSTRUCTION.
- AT ALL LOCATIONS WHERE EXISTING PAVEMENT ADJUTS NEW CONSTRUCTION, THE EDGE OF THE EXISTING PAVEMENT SHALL BE SAWCUT TO A CLEAN, SMOOTH EDGE.
- ALL CONSTRUCTION AND MATERIALS SHALL BE IN ACCORDANCE WITH THE MOST RECENT, ADOPTED EDITION OF ADA ACCESSIBILITY GUIDELINES.
- PRIOR TO STARTING CONSTRUCTION, THE CONTRACTOR SHALL BE RESPONSIBLE FOR MAKING SURE THAT ALL REQUIRED PERMITS AND APPROVALS HAVE BEEN OBTAINED. NO CONSTRUCTION OR FABRICATION SHALL BEGIN UNTIL THE CONTRACTOR HAS RECEIVED THOROUGHLY REVIEWED PLANS AND OTHER DOCUMENTS APPROVED BY ALL OF THE PERMITTING AUTHORITIES.
- CONTRACTOR IS RESPONSIBLE FOR SCHEDULING AND NOTIFYING ENGINEER OR INSPECTING AUTHORITY 48 HOURS IN ADVANCE OF COVERING UP ANY PHASE OF CONSTRUCTION REQUIRING OBSERVATION.
- ANY WORK IN THE PUBLIC RIGHT-OF-WAY WILL REQUIRE PERMITS FROM THE APPROPRIATE, CITY, COUNTY OR STATE AGENCY CONTROLLING THE ROAD, INCLUDING OBTAINING REQUIRED INSPECTIONS.
- ALL DIMENSIONS, GRADES & UTILITY DESIGNS SHOWN ON THE PLANS SHALL BE VERIFIED BY THE CONTRACTOR PRIOR TO CONSTRUCTION. CONTRACTOR SHALL NOTIFY ENGINEER OF ANY DISCREPANCIES PRIOR TO PROCEEDING WITH CONSTRUCTION FOR NECESSARY PLAN OR GRADE CHANGES.
- CONTRACTOR MUST VERIFY ALL EXISTING CONDITIONS BEFORE BIDDING AND BRING UP ANY QUESTION BEFORE STARTING CONSTRUCTION.
- SITE GRADING SHALL BE PERFORMED IN ACCORDANCE WITH THESE PLANS AND SPECIFICATIONS AND THE RECOMMENDATIONS SET FORTH BY THE GEOTECHNICAL ENGINEER.
- CATCH SLOPES SHALL BE GRADED AS SPECIFIED ON GRADING PLANS.
- CONTRACTOR SHALL BE RESPONSIBLE FOR ALL FLAGGING, CAUTION SIGNS, LIGHTS, BARRICADES, FLAGMEN, AND ALL OTHER DEVICES NECESSARY FOR PUBLIC SAFETY. CONTRACTOR SHALL, AT THE TIME OF BIDDING AND THROUGHOUT THE PERIOD OF THE CONTRACT, BE LICENSED IN THE STATE OF UTAH AND SHALL BE BONDED FOR AN AMOUNT EQUAL TO OR GREATER THAN THE AMOUNT BID AND TO DO THE TYPE OF WORK CONTEMPLATED IN THE PLANS AND SPECIFICATIONS. CONTRACTOR SHALL BE SKILLED AND REGULARLY ENGAGED IN THE GENERAL CLASS AND TYPE OF WORK CALLED FOR IN THE PLANS AND SPECIFICATIONS.
- CONTRACTOR SHALL INSPECT THE SITE OF THE WORK PRIOR TO BIDDING TO SATISFY HIMSELF BY PERSONAL EXAMINATION OR BY SUCH OTHER MEANS AS HE MAY PREFER OF THE LOCATION OF THE PROPOSED WORK AND OF THE ACTUAL CONDITIONS OF AND AT THE SITE OF WORK, BY CARRYING THE COURSE OF HIS EXAMINATION. A BIDDER FINDS FACTS OR CONDITIONS WHICH APPEAR TO HIM TO BE IN CONFLICT WITH THE LETTER OR SPIRIT OF THE PROJECT PLANS AND SPECIFICATIONS, HE SHALL CONTACT THE ENGINEER FOR ADDITIONAL INFORMATION AND EXPLANATION BEFORE SUBMITTING HIS BID. SUBMISSION OF A BID BY THE CONTRACTOR SHALL CONSTITUTE ACKNOWLEDGMENT THAT CONTRACTOR HAS REPLIED AND IS RELYING ON HIS OWN EXAMINATION OF (1) THE SITE OF THE WORK, (2) ACCESS TO THE SITE, AND (3) ALL OTHER DATA AND MATTERS REQUISITE TO THE FULFILLMENT OF THE WORK AND ON HIS OWN KNOWLEDGE OF EXISTING FACILITIES ON AND IN THE VICINITY OF THE SITE OF THE WORK TO BE CONSTRUCTED UNDER THIS CONTRACT. THE INFORMATION PROVIDED BY THE ENGINEER IS NOT INTENDED TO BE A SUBSTITUTE FOR, OR A SUPPLEMENT TO, THE INDEPENDENT VERIFICATION BY THE CONTRACTOR TO THE EXTENT SUCH INDEPENDENT INVESTIGATION OF SITE CONDITIONS IS DEEMED NECESSARY OR DESIRABLE. CONTRACTOR SHALL ACKNOWLEDGE THAT HE HAS NOT RELIED SOLELY UPON OWNER- OR ENGINEER-FURNISHED INFORMATION REGARDING SITE CONDITIONS IN PREPARING AND SUBMITTING HIS BID.
- CONTRACTOR SHALL BE RESPONSIBLE TO PROVIDE ALL WATER, POWER, SANITARY FACILITIES AND TELEPHONE SERVICES AS REQUIRED FOR THE CONTRACTOR'S USE DURING CONSTRUCTION.
- CONTRACTOR SHALL BE HELD RESPONSIBLE FOR ANY FIELD CHANGES MADE WITHOUT PRIOR WRITTEN AUTHORIZATION FROM THE OWNER, ENGINEER, AND/OR GOVERNING AGENCIES.
- CONTRACTOR SHALL EXERCISE DUE CAUTION AND SHALL CAREFULLY PRESERVE BENCH MARKS, CONTROL POINTS, REFERENCE POINTS AND ALL SURVEY STAKES, AND SHALL BEAR ALL EXPENSES FOR REPLACEMENT AND/OR ERRORS CAUSED BY THEIR UNNECESSARY LOSS OR DISTURBANCE.
- CONTRACTOR SHALL ASSUME COMPLETE RESPONSIBILITY FOR JOB-SITE CONDITIONS DURING THE COURSE OF CONSTRUCTION OF THIS PROJECT, INCLUDING SAFETY OF ALL PERSONS AND PROPERTY. THIS REQUIREMENT SHALL APPLY CONTINUOUSLY AND NOT BE LIMITED TO NORMAL WORKING HOURS. THE CONTRACTOR SHALL DEFEND, INDEMNIFY AND HOLD THE OWNER AND ENGINEER HARMLESS FROM ANY AND ALL LIABILITY, REAL OR ALLEGED, IN CONNECTION WITH THE PERFORMANCE OF WORK ON THIS PROJECT, EXCEPT FOR LIABILITY ARISING FROM THE SOLE NEGLIGENCE OF THE OWNER OR THE ENGINEER.
- CONTRACTOR SHALL BE RESPONSIBLE FOR ADEQUATELY SCHEDULING INSPECTION AND TESTING OF ALL FACILITIES CONSTRUCTED UNDER THIS CONTRACT. ALL TESTING SHALL CONFORM TO THE REGULATORY AGENCY'S STANDARD SPECIFICATIONS. ALL TESTING AND INSPECTION SHALL BE PAID FOR BY THE OWNER. ALL RE-TESTING AND/OR RE-INSPECTION SHALL BE PAID FOR BY THE CONTRACTOR.
- IF EXISTING IMPROVEMENTS NEED TO BE DISTURBED AND/OR REMOVED FOR THE PROPER PLACEMENT OF IMPROVEMENTS TO BE CONSTRUCTED BY THESE PLANS, THE CONTRACTOR SHALL BE RESPONSIBLE FOR PROTECTING EXISTING IMPROVEMENTS FROM DAMAGE. COST OF REPLACING OR REPAIRING EXISTING IMPROVEMENTS SHALL BE INCLUDED IN THE UNIT PRICE BID FOR ITEMS REQUIRING REMOVAL AND/OR REPLACEMENT. THERE WILL BE NO EXTRA COST DUE TO THE CONTRACTOR FOR REPLACING OR REPAIRING EXISTING IMPROVEMENTS.
- WHENEVER EXISTING FACILITIES ARE REMOVED, DAMAGED, BROKEN, OR OUT IN THE INSTALLATION OF THE WORK COVERED BY THESE PLANS OR SPECIFICATIONS, SAID FACILITIES SHALL BE REPLACED AT THE CONTRACTOR'S EXPENSE WITH MATERIALS EQUAL TO OR BETTER THAN THE MATERIALS USED IN THE ORIGINAL EXISTING FACILITIES. THE FINISHED PRODUCT SHALL BE SUBJECT TO THE APPROVAL OF THE OWNER, THE ENGINEER, AND THE RESPECTIVE REGULATORY AGENCY.
- CONTRACTOR SHALL MAINTAIN A NEATLY MARKED SET OF FULL-SIZE AS-BUILT RECORD DRAWINGS SHOWING THE FINAL LOCATION AND LAYOUT OF ALL STRUCTURES AND OTHER FACILITIES. AS-BUILT RECORD DRAWINGS SHALL REFLECT CHANGE ORDERS, ACCOMMODATIONS, AND ADJUSTMENTS TO ALL IMPROVEMENTS CONSTRUCTED. WHERE NECESSARY, SUPPLEMENTAL DRAWINGS SHALL BE PREPARED AND SUBMITTED BY THE CONTRACTOR PRIOR TO ACCEPTANCE OF THE PROJECT. THE CONTRACTOR SHALL DELIVER TO THE ENGINEER ONE SET OF NEATLY MARKED AS-BUILT RECORD DRAWINGS SHOWING THE INFORMATION REQUIRED ABOVE. AS-BUILT RECORD DRAWINGS SHALL BE REVIEWED AND THE COMPLETE AS-BUILT RECORD DRAWING SET SHALL BE CURRENT WITH ALL CHANGES AND DEVIATIONS RELIED AS A PRECONDITION TO THE FINAL PROGRESS PAYMENT APPROVAL AND/OR FINAL ACCEPTANCE.
- WHERE THE PLANS OR SPECIFICATIONS DESCRIBE PORTIONS OF THE WORK IN GENERAL TERMS BUT NOT IN COMPLETE DETAIL, IT IS UNDERSTOOD THAT ONLY THE BEST GENERAL PRACTICE IS TO PREVAIL, AND THAT ONLY MATERIALS AND WORKMANSHIP OF THE FINEST QUALITY ARE TO BE USED.

GENERAL NOTES CONT.

- CONTRACTOR SHALL BE SKILLED AND REGULARLY ENGAGED IN THE GENERAL CLASS AND TYPE OF WORK CALLED FOR IN THE PROJECT PLANS AND SPECIFICATIONS. THEREFORE, THE OWNER IS RELYING UPON THE EXPERIENCE AND EXPERTISE OF THE CONTRACTOR. PRICES PROVIDED WITHIN THE CONTRACT DOCUMENTS SHALL INCLUDE ALL LABOR AND MATERIALS NECESSARY AND PROPER FOR THE WORK CONTEMPLATED AND THAT THE WORK BE COMPLETED IN ACCORDANCE WITH THE TRUE INTENT AND PURPOSE OF THESE PLANS AND SPECIFICATIONS. THE CONTRACTOR SHALL BE COMPETENT, KNOWLEDGEABLE AND HAVE SPECIAL SKILLS IN THE NATURE, EXTENT AND INHERENT CONDITIONS OF THE WORK TO BE PERFORMED. CONTRACTOR SHALL ALSO ACKNOWLEDGE THAT THERE ARE CERTAIN PECULIAR AND INHERENT CONDITIONS EXISTENT IN THE CONSTRUCTION OF THE PARTICULAR FACILITIES WHICH MAY CREATE, DURING THE CONSTRUCTION PROGRAM, UNUSUAL OR UNSAFE CONDITIONS HAZARDOUS TO PERSONS, PROPERTY AND THE ENVIRONMENT. CONTRACTOR SHALL BE AWARE OF SUCH PECULIAR RISKS AND HAVE THE SKILL AND EXPERIENCE TO FORESEE AND TO ADOPT PROTECTIVE MEASURES TO ADEQUATELY AND SAFELY PERFORM THE CONSTRUCTION WORK WITH RESPECT TO SUCH HAZARDS.
- CONTRACTOR SHALL BE RESPONSIBLE FOR THE REMOVAL OF ALL STRIPING AND/OR PAVEMENT MARKINGS NECESSARY TO THE EXISTING STRIPING INTO FUTURE STRIPING. METHOD OF REMOVAL SHALL BE BY GRINDING OR SANDBLASTING.
- CONTRACTOR SHALL PROVIDE ALL SHORING, BRACING, SLOPING OR OTHER PROVISIONS NECESSARY TO PROTECT WORKMEN FOR ALL AREAS TO BE EXCAVATED TO A DEPTH OF 4' OR MORE. FOR EXCAVATIONS 4 FEET OR MORE IN DEPTH, THE CONTRACTOR SHALL COMPLY WITH INDUSTRIAL COMMISSION OF UTAH SAFETY ORDERS SECTION 68 - EXCAVATIONS, AND SECTION 69 - TRENCHES, ALONG WITH ANY LOCAL CODES OR ORDINANCES.
- ALL EXISTING GATES AND FENCES TO REMAIN UNLESS OTHERWISE NOTED ON PLANS. PROTECT ALL GATES AND FENCES FROM DAMAGE.

UTILITY NOTES

- CONTRACTOR SHALL COORDINATE LOCATION OF NEW "DRY UTILITIES" WITH THE APPROPRIATE UTILITY COMPANY, INCLUDING BUT NOT LIMITED TO: TELEPHONE SERVICE, GAS SERVICE, CABLE, POWER, INTERNET.
- EXISTING UTILITIES HAVE BEEN SHOWN ON THE PLANS USING A COMBINATION OF ON-SITE SURVEYS (BY OTHERS), PRIOR TO COMMENCING ANY WORK, IT SHALL BE THE CONTRACTOR'S RESPONSIBILITY TO HAVE EACH UTILITY COMPANY LOCATE, IN THE FIELD, THEIR MAIN AND SERVICE LINES. THE CONTRACTOR SHALL NOTIFY BLUE STAKES AT 1-800-692-4111 48 HOURS IN ADVANCE OF PERFORMING ANY EXCAVATION WORK. THE CONTRACTOR SHALL RECORD THE BLUE STAKES ORDER NUMBER AND FURNISH ORDER NUMBER TO OWNER AND ENGINEER PRIOR TO ANY EXCAVATION. IT WILL BE THE CONTRACTOR'S SOLE RESPONSIBILITY TO DIRECTLY CONTACT ANY OTHER UTILITY COMPANIES THAT ARE NOT MEMBERS OF BLUE STAKES. IT SHALL BE THE CONTRACTOR'S SOLE RESPONSIBILITY TO PROTECT ALL EXISTING UTILITIES SO THAT NO DAMAGE RESULTS TO THEM DURING THE PERFORMANCE OF THIS CONTRACT. ANY REPAIRS NECESSARY TO DAMAGED UTILITIES SHALL BE PAID FOR BY THE CONTRACTOR. THE CONTRACTOR SHALL BE REQUIRED TO COOPERATE WITH OTHER CONTRACTORS AND UTILITY COMPANIES INSTALLING NEW STRUCTURES, UTILITIES AND SERVICE TO THE PROJECT.
- CONTRACTOR SHALL NOT HOLE ALL UTILITIES TO DETERMINE IF CONFLICTS EXIST PRIOR TO BEGINNING ANY EXCAVATION. NOTIFY ENGINEER OF ANY CONFLICTS. CONTRACTOR SHALL VERIFY LOCATION AND INVERTS OF EXISTING UTILITIES TO WHICH NEW UTILITIES WILL BE CONNECTED. PRIOR TO COMMENCING ANY EXCAVATION WORK THE CONTRACTOR SHALL NOTIFY ALL UTILITY COMPANIES IN ACCORDANCE WITH THE REQUIRED PROCEDURES.
- CARE SHOULD BE TAKEN IN ALL EXCAVATIONS DUE TO POSSIBLE EXISTENCE OF UNRECORDED UTILITY LINES. EXCAVATION REQUIRED WITHIN PROXIMITY OF EXISTING UTILITY LINES SHALL BE DONE BY HAND. CONTRACTOR SHALL REPAIR ANY DAMAGE TO EXISTING UTILITY LINES OR STRUCTURES INCURRED DURING CONSTRUCTION OPERATIONS AT HIS EXPENSE.
- ALL VALVES AND MANHOLE COVERS SHALL BE RAISED OR LOWERED TO MEET FINISHED GRADE.
- CONTRACTOR SHALL CUT PIPES OFF FLUSH WITH THE INSIDE WALL OF THE BOX OR MANHOLE.
- CONTRACTOR SHALL GROUT AT CONNECTION OF PIPE TO BOX WITH NON-SHRINKING GROUT, INCLUDING PIPE JOINTS LEFT BY CUTTING PROCESS, TO A SMOOTH FINISH.
- CONTRACTOR SHALL GROUT WITH NON-SHRINK GROUT BETWEEN GRADE RINGS AND BETWEEN BOTTOM OF INLET LID FRAME AND TOP OF CONCRETE BOX.
- SILT AND DEBRIS IS TO BE CLEANED OUT OF ALL STORM DRAIN BOXES. CATCH BASINS ARE TO BE MAINTAINED IN A CLEANED CONDITION AS NEEDED UNTIL AFTER THE FINAL BOND RELEASE INSPECTION.
- CONTRACTOR SHALL CLEAN ASPHALT, TAR OR OTHER ADHESIVES OFF OF ALL MANHOLE LIDS AND INLET GRATES TO ALLOW ACCESS.
- EACH TRENCH SHALL BE EXCAVATED SO THAT THE PIPE CAN BE LAID TO THE ALIGNMENT AND GRADE AS REQUIRED. THE TRENCH WALL SHALL BE SO BRACED THAT THE WORKMEN MAY WORK SAFELY AND EFFICIENTLY. ALL TRENCHES SHALL BE DRAINED SO THE PIPE LAYING MAY TAKE PLACE IN DEWATERED CONDITIONS. THE CONTRACTOR IS SOLELY RESPONSIBLE FOR THE COST OF DEWATERING AND NO COST CHANGE WILL BE PROVIDED.
- CONTRACTOR SHALL PROVIDE AND MAINTAIN AT ALL TIMES AMPLE MEANS AND DEVICES WITH WHICH TO REMOVE PROMPTLY AND TO PROPERLY DISPOSE OF ALL WATER ENTERING THE TRENCH EXCAVATION.
- MAINTAIN A MINIMUM 18" VERTICAL SEPARATION DISTANCE BETWEEN ALL UTILITY CROSSINGS.
- CONTRACTOR SHALL START INSTALLATION AT LOW POINT OF ALL NEW GRAVITY UTILITY LINES.
- ALL BOLTED FITTINGS MUST BE GREASED AND WRAPPED.
- UNLESS SPECIFICALLY NOTED OTHERWISE, MAINTAIN AT LEAST 2 FEET OF COVER OVER ALL STORM DRAIN LINES AT ALL TIMES (INCLUDING DURING CONSTRUCTION).
- ALL WATER LINES SHALL BE INSTALLED A MINIMUM OF 60" OF COVER TO TOP OF PIPE BELOW FINISHED GRADE.
- ALL SEWER LINES AND SEWER SERVICES SHALL HAVE A MINIMUM SEPARATION OF 10 FEET, PIPE EDGE TO PIPE EDGE, FROM THE WATER LINES.
- CONTRACTOR SHALL INSTALL THRUST BLOCKING AT ALL WATERLINE ANGLE POINTS AND TEES.
- ALL UNDERGROUND UTILITIES SHALL BE IN PLACE PRIOR TO INSTALLATION OF CURB, GUTTER, SIDEWALK AND STREET PAVING.
- CONTRACTOR SHALL INSTALL MAGNETIC LOCATING TAPE CONTINUOUSLY OVER ALL NONMETALLIC PIPE.
- THE CONTRACTOR SHALL NOTIFY TALISMAN CIVIL CONSULTANTS, LLC, IN WRITING AT LEAST 48 HOURS PRIOR TO BACKFILLING OF ANY PIPE WHICH SUBS TO A FUTURE PHASE OF CONSTRUCTION FOR INVERT VERIFICATION. TOLERANCE SHALL BE IN ACCORDANCE WITH THE REGULATORY AGENCY STANDARD SPECIFICATIONS.
- UNDER NO CIRCUMSTANCE SHALL THE PIPE OR ACCESSORIES BE DROPPED INTO THE TRENCH.

EROSION CONTROL GENERAL NOTES:

THE CONTRACTOR TO USE BEST MANAGEMENT PRACTICES FOR PROVIDING EROSION CONTROL FOR CONSTRUCTION OF THIS PROJECT. ALL MATERIAL AND WORKMANSHIP SHALL CONFORM TO WEBER COUNTY ORDINANCES AND ALL WORK SHALL BE SUBJECT TO INSPECTION BY THE COUNTIES. ALSO, INSPECTORS WILL HAVE THE RIGHT TO CHANGE THE FACILITIES AS NEEDED.

CONTRACTOR SHALL KEEP THE SITE WATERED TO CONTROL DUST. CONTRACTOR TO LOCATE A NEARBY HYDRANT FOR USE AND TO INSTALL TEMPORARY METER. CONSTRUCTION WATER COST TO BE INCLUDED IN BID.

WHEN GRADING OPERATIONS ARE COMPLETED AND THE DISTURBED GROUND IS LEFT "OPEN" FOR 14 DAYS OR MORE, THE AREA SHALL BE FURROWED PARALLEL TO THE CONTOURS.

THE CONTRACTOR SHALL MODIFY EROSION CONTROL MEASURES TO ACCOMMODATE PROJECT PLANNING.

LEGEND:

SYMBOL / LINETYPE	DESCRIPTION
4" W	EXISTING 4" WATER PIPE
W	EXISTING WATER SERVICE LATERAL
W	EXISTING WATER METER
W	EXISTING WATER VALVE
8" SS	EXISTING 8" SANITARY SEWER PIPE
8" SS	EXISTING SANITARY SEWER LATERAL AND CLEANOUT
15" SS - P	EXISTING PRESSURIZED SANITARY SEWER PIPE
SS	EXISTING SANITARY SEWER GRINDER/PUMP
SS	EXISTING SANITARY SEWER MANHOLE
SS	EXISTING 15" STORM DRAIN PIPE
SS	EXISTING STORM DRAIN MANHOLE
SS	EXISTING STORM DRAIN FLARED END SECTION
SS	EXISTING TELECOMMUNICATION CONDUIT
SS	EXISTING TELECOMMUNICATION PULL BOX
SS	EXISTING ELECTRICAL CONDUIT
SS	EXISTING ELECTRICAL PULL BOX
SS	EXISTING ELECTRICAL TRANSFORMER
SS	EXISTING GAS PIPE
SS	PROPOSED CONCRETE
SS	PROPOSED GABION BASKET WALL
W	PROPOSED WATER METER
G	PROPOSED GAS PIPE
E	PROPOSED ELECTRICAL CONDUIT
T	PROPOSED TELECOMMUNICATIONS CONDUIT

NOTE: LEGEND MAY CONTAIN SYMBOLS THAT ARE NOT USED IN PLAN SET.

WEBER COUNTY

2360 WASHINGTON BLVD. #240
OGDEN, UT 84401
(801) 399-8374

ROCKY MOUNTAIN POWER

1438 WEST 2550 SOUTH
OGDEN, UT 84401
(801) 629-4429

POWDER MOUNTAIN WATER & SEWER DISTRICT

PO BOX 270
EDEN, UT 84310
(801) 745-0912

EROSION CONTROL GENERAL NOTES:

THE CONTRACTOR TO USE BEST MANAGEMENT PRACTICES FOR PROVIDING EROSION CONTROL FOR CONSTRUCTION OF THIS PROJECT. ALL MATERIAL AND WORKMANSHIP SHALL CONFORM TO WEBER COUNTY ORDINANCES AND ALL WORK SHALL BE SUBJECT TO INSPECTION BY THE COUNTIES. ALSO, INSPECTORS WILL HAVE THE RIGHT TO CHANGE THE FACILITIES AS NEEDED.

CONTRACTOR SHALL KEEP THE SITE WATERED TO CONTROL DUST. CONTRACTOR TO LOCATE A NEARBY HYDRANT FOR USE AND TO INSTALL TEMPORARY METER. CONSTRUCTION WATER COST TO BE INCLUDED IN BID.

WHEN GRADING OPERATIONS ARE COMPLETED AND THE DISTURBED GROUND IS LEFT "OPEN" FOR 14 DAYS OR MORE, THE AREA SHALL BE FURROWED PARALLEL TO THE CONTOURS.

THE CONTRACTOR SHALL MODIFY EROSION CONTROL MEASURES TO ACCOMMODATE PROJECT PLANNING.

ALL ACCESS TO PROPERTY WILL BE FROM PUBLIC RIGHT-OF-WAYS.

THE CONTRACTOR IS REQUIRED BY STATE AND FEDERAL REGULATIONS TO PREPARE A STORM WATER POLLUTION PREVENTION PLAN AND FILE A "NOTICE OF INTENT" WITH THE UTAH DIVISION OF WATER QUALITY.

MAINTENANCE:
ALL BEST MANAGEMENT PRACTICES (BMP'S) SHOWN ON THIS PLAN MUST BE MAINTAINED AT ALL TIMES UNTIL VEGETATION IS RE-ESTABLISHED.

THE CONTRACTOR'S RESPONSIBILITY SHALL INCLUDE MAKING BI-WEEKLY CHECKS ON ALL EROSION CONTROL MEASURES TO DETERMINE IF REPAIR OR SEDIMENT REMOVAL IS NECESSARY. CHECKS SHALL BE DOCUMENTED AND COPIES OF THE INSPECTIONS KEPT ON SITE.

SEDIMENT DEPOSITS SHOULD BE REMOVED AFTER EACH RAINFALL. THEY MUST BE REMOVED WHEN THE LEVEL OF DEPOSITION REACHES APPROXIMATELY ONE-HALF THE HEIGHT OF BARRIER.

SEDIMENT TRACKED ONTO PAVED ROADS MUST BE CLEANED UP AS SOON AS PRACTICAL, BUT IN NO CASE LATER THAN THE END OF THE NORMAL WORK DAY. THE CLEAN UP WILL INCLUDE SWEEPING OF THE TRACKED MATERIAL, PICKING IT UP, AND DEPOSITING IT TO A CONTAINED AREA.

EXPOSED SLOPES:
ALL EXPOSED SLOPES THAT WILL REMAIN UNTOUCHED FOR LONGER THAN 14 DAYS MUST BE STABILIZED BY ONE OR MORE OF THE FOLLOWING METHODS:

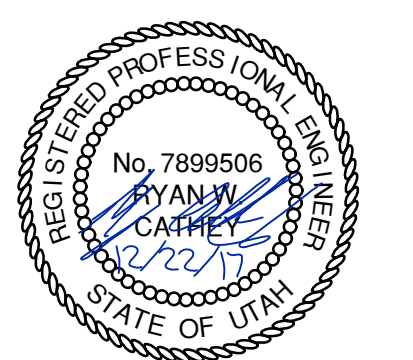
- A) SPRAYING DISTURBED AREAS WITH A TACKIFIER VIA HYDROSEED
- B) TRACKING STRAW PERPENDICULAR TO SLOPES
- C) INSTALLING A LIGHT-WEIGHT, TEMPORARY EROSION CONTROL BLANKET

* SEED MIXTURE FOR REVEGETATION

- a. MEADOW BROME (RIGOR) 14lb/oc
- b. ORCHARD GRASS 10lb/oc
- c. ALFALFA (ADAK) 4lb/oc

ABBREVIATIONS:

- BG - BUILDING
- BW - BOTTOM OF WALL
- FL - FLOWLINE
- FG - FINISHED GROUND
- EX - EXISTING
- MA - MATCH
- TW - TOP OF WALL



No.	Description	Date

NOTES:

COPYRIGHT RELATED TO THE USE OF THIS DRAWING:
The use of this drawing shall be governed by standard copyright law as generally accepted in architectural practice.

ARCHITECTS REQUIREMENTS AND APPROVALS:
It is the Builder's responsibility to notify MidCity Lyon Sawyer Architects Ltd. and to seek prior written approval for materials and workmanship which deviates from instructions provided by the Architect.

ENGINEER'S REQUIREMENTS AND APPROVALS:
It is the Builder's responsibility to notify MidCity Lyon Sawyer Architects Ltd. and to seek prior written approval for materials and workmanship which deviates from instructions provided by the Engineer.

AUTHORITY'S REQUIREMENTS AND APPROVALS:
All materials and workmanship must comply with the requirements of all authorities having jurisdiction over the work. It is the Builder's responsibility to gain necessary approval from all relevant Authorities.

DIMENSIONS:
All dimensions must be verified on site. Do not scale off drawings. Plans take precedent over elevations. In the absence of dimensions, all dimensions shall be as shown on drawings. All minimum dimensions are to comply with the International Building Code, 2009 Edition.

SHOP DRAWINGS:
Submit shop drawings to the Architect and Engineer for approval prior to installation of prefabricated elements of the building.

General Notes & Legend

scale: N/A
date: 02/22/2017
drawn: J.B.
checked: RWC

C001

McGee Lynn
Sewerage
Architects
Limited
2188 Calgary St.
Edmonton, Alberta
Canada T6K 3B4
ph: (902) 429 1807
fax: (902) 429 6276

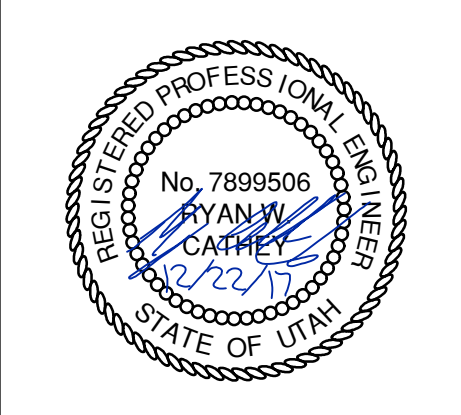
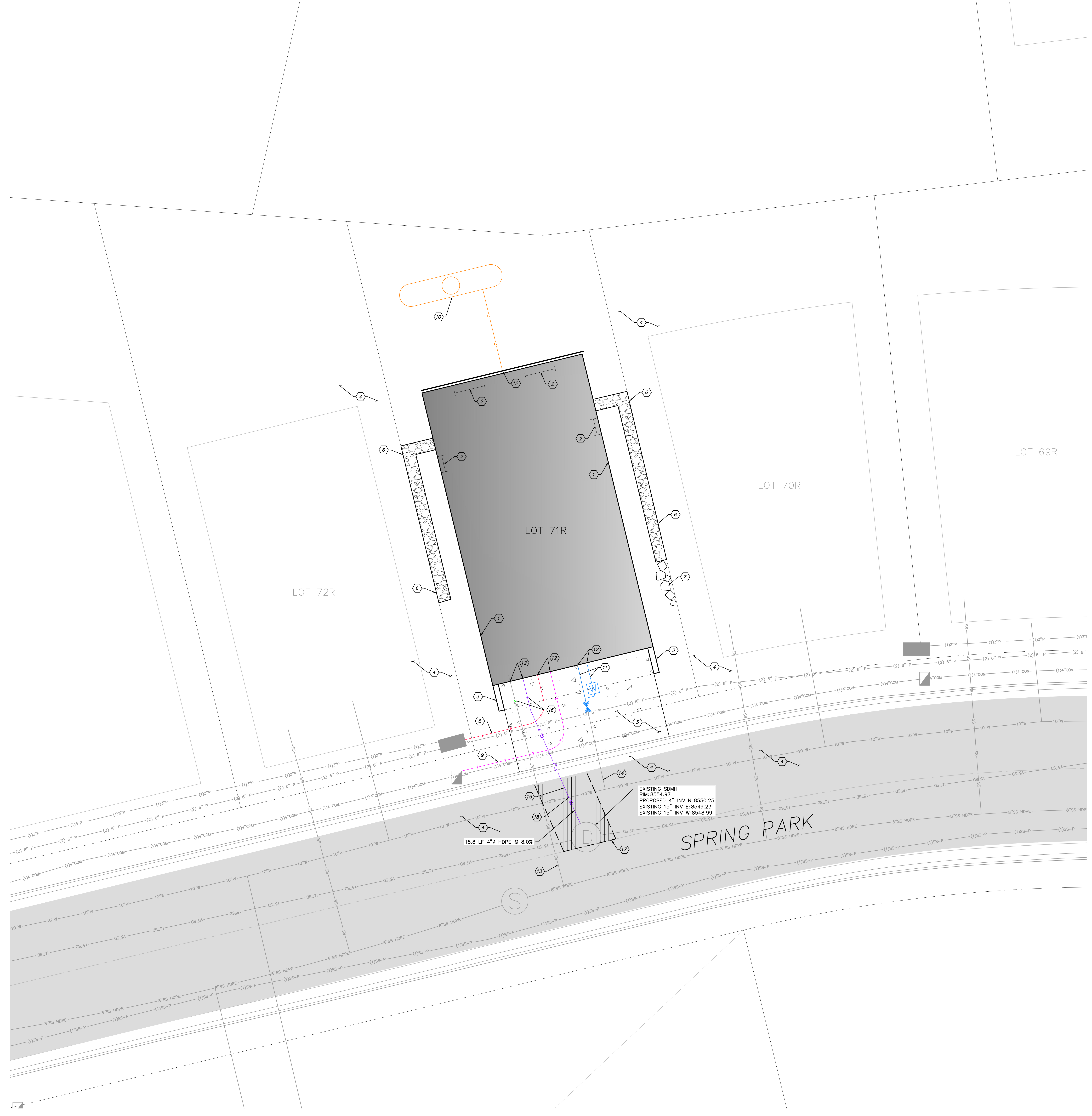


5217 SOUTH STATE STREET
SUITE 200
MURRAY, UT 84107
801.743.1500

GENERAL NOTES:
THE CONTRACTOR TO USE BEST MANAGEMENT PRACTICES FOR PROVIDING EROSION CONTROL FOR CONSTRUCTION OF THIS PROJECT. ALL MATERIAL AND WORKMANSHIP SHALL CONFORM TO WEBER COUNTY ORDINANCES AND ALL WORK SHALL BE SUBJECT TO INSPECTION BY WEBER COUNTY. ALSO, INSPECTORS WILL HAVE THE RIGHT TO REQUEST CHANGES TO THE FACILITIES AS NEEDED.
DUST MUST BE KEPT TO A MINIMUM. CONTRACTOR SHALL KEEP THE SITE WATERED TO CONTROL DUST. CONTACT POWDER MOUNTAIN WATER & SEWER IMPROVEMENT DISTRICT TO LOCATE A NEARBY HYDRANT FOR USE AND TO INSTALL TEMPORARY METER.
THE CONTRACTOR SHALL MODIFY EROSION CONTROL MEASURES TO ACCOMMODATE PROJECT PLANNING.
ALL ACCESS TO PROPERTY WILL BE FROM PUBLIC RIGHT-OF-WAYS.
THE CONTRACTOR IS REQUIRED BY STATE AND FEDERAL REGULATIONS TO PREPARE A STORM WATER POLLUTION PREVENTION PLAN AND FILE A "NOTICE OF INTENT" WITH THE UTAH DEPARTMENT OF ENVIRONMENTAL QUALITY DIVISION OF WATER QUALITY.
ENSURE ALL GRADING SLOPES AWAY FROM STRUCTURE AT 5% FOR A MINIMUM OF 10' PER IRC R401.3

UTILITIES:
ENSURE MINIMUM BURIED DEPTH PER BUILDING CODE FOR ALL BURIED UTILITIES.
IMPROVEMENTS, INCLUDING LANDSCAPING, SHALL NOT INTERFERE WITH ANY DRAINAGE CULVERT, RIP RAP, AND DRAINAGE PATTERN ASSOCIATED WITH ANY DRAINAGE EASEMENT.

- KEY NOTES:**
- (1) BUILDING FOOTPRINT. SEE ARCHITECTURAL PLANS.
 - (2) EGRESS WINDOW. SEE ARCHITECTURAL PLANS.
 - (3) CONCRETE WALL. SEE ARCHITECTURAL PLANS.
 - (4) PROTECT IN PLACE EXISTING IMPROVEMENTS. IF DAMAGED, REPLACE AT CONTRACTOR'S EXPENSE.
 - (5) INSTALL CONCRETE DRIVEWAY PER DETAIL C/SHEET C701.
 - (6) INSTALL GABION WALL PER GEOTECHNICAL REPORT. SEE GRADING PLAN FOR ELEVATIONS.
 - (7) INSTALL ROCK WALL PER GEOTECHNICAL REPORT. SEE GRADING PLAN FOR ELEVATIONS.
 - (8) INSTALL ELECTRICAL LINE FROM SERVICE BOX TO BUILDING.
 - (9) INSTALL TELECOMMUNICATIONS LINE FROM SERVICE BOX TO BUILDING.
 - (10) INSTALL PROPANE TANK PER DETAIL A/SHEET 701. SERVICE LINE TO BUILDING TO BE INSTALLED BY OTHERS.
 - (11) INSTALL CULINARY WATER AND FIRE LINES PER DETAIL B/SHEET 701.
 - (12) SEE MECHANICAL PLANS FOR CONTINUATION OF UTILITY WITHIN BUILDING.
 - (13) EXISTING SEWER LATERAL.
 - (14) EXISTING WATER LATERAL.
 - (15) INSTALL 4" HDPE STORM DRAIN PIPE PER APWA STANDARD PLANS NO. 381 & 382.
 - (16) INSTALL CLEANOUT PER APWA STANDARD PLAN NO. 431.
 - (17) SAWCUT, REMOVE AND PROPERLY DISPOSE OF ASPHALT. WHEN TRENCH FOR STORM DRAIN PIPE HAS BEEN PROPERLY BACKFILLED AND COMPACTED PER APWA PLAN 381. PROVIDE ASPHALT CONCRETE T-PATCH PER APWA PLAN 255 WITH A 60" MINIMUM SECOND CUT FROM FIRST CUT.
 - (18) PROVIDE A MINIMUM 18" VERTICAL CLEARANCE BETWEEN WATER LINE AND STORM DRAIN AT CROSSING. CONTACT ENGINEER FOR GUIDANCE IF 18" VERTICAL CLEARANCE IS NOT POSSIBLE.



No.	Description	Date

NOTES:
COPYRIGHT RELATED TO THE USE OF THIS DRAWING:
The use of this drawing shall be governed by standard copyright law as generally accepted in architectural practice.

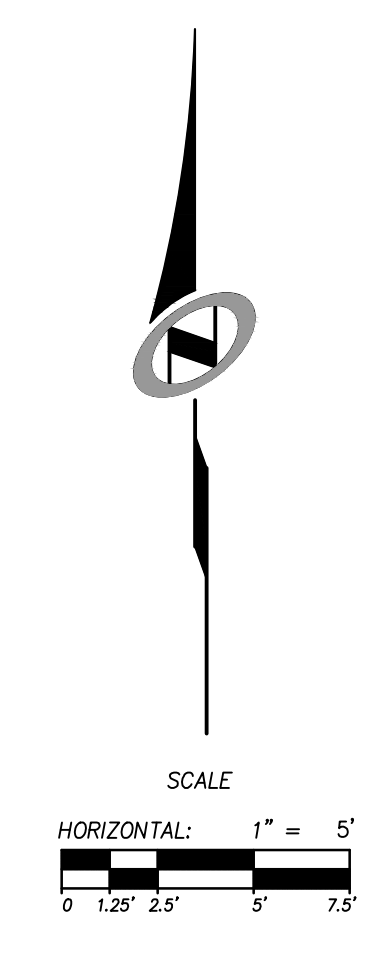
ARCHITECT'S REQUIREMENTS AND APPROVALS:
It is the Architect's responsibility to verify that the work complies with the requirements of all applicable codes and regulations and to seek prior written approval for materials and workmanship which deviates from instructions provided by the Architect.

ENGINEER'S REQUIREMENTS AND APPROVALS:
It is the Engineer's responsibility to verify that the work complies with the requirements of all applicable codes and regulations and to seek prior written approval for materials and workmanship which deviates from instructions provided by the Engineer.

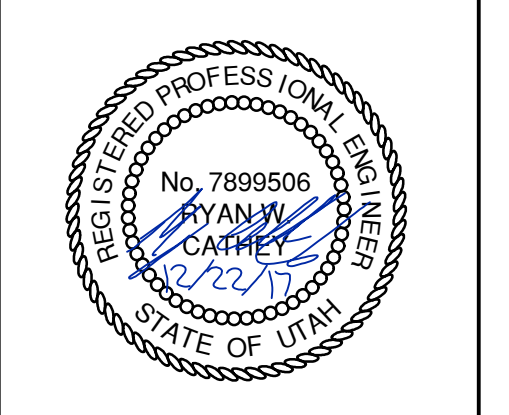
AUTHORITY'S REQUIREMENTS AND APPROVALS:
All materials and workmanship must comply with the requirements of all authorities having jurisdiction over the work. It is the Builder's responsibility to gain necessary approval from all relevant Authorities.

DIMENSIONS:
All dimensions must be verified on site. Do not scale drawings. Plans take precedence over elevations. In the absence of dimensions, all dimensions shall be taken from the International Building Code, 2009 Edition.

SHOP DRAWINGS:
Submit shop drawings to the Architect and Engineer for approval prior to installation of prefabricated elements of the building.



Site & Utility Plan
Title: 170
Date: 02/22/2017
Drawn: J.B.
Checked: R.W.C.
C201



No.	Description	Date

NOTES:

COPYRIGHT RELATED TO THE USE OF THIS DRAWING:
 The use of this drawing shall be governed by standard copyright law as generally accepted in architectural practice.

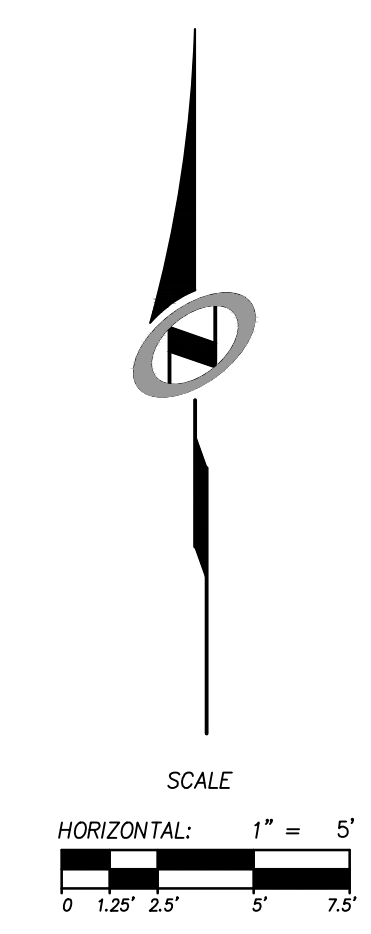
ARCHITECT'S REQUIREMENTS AND APPROVALS:
 It is the Builder's responsibility to notify MacKay Lyon Sverdrup Architects Ltd. and to seek prior written approval for materials and workmanship which deviates from instructions provided by the Architect.

ENGINEER'S REQUIREMENTS AND APPROVALS:
 It is the Builder's responsibility to notify MacKay Lyon Sverdrup Architects Ltd. and to seek prior written approval for materials and workmanship which deviates from instructions provided by the Engineer.

AUTHORITY'S REQUIREMENTS AND APPROVALS:
 All materials and workmanship must comply with the requirements of all authorities having jurisdiction over the work. It is the Builder's responsibility to gain necessary approval from all relevant Authorities.

DIMENSIONS:
 All dimensions must be verified on site. Do not scale off drawings. Plans take precedence over elevations. In the absence of dimensions, all dimensions shall conform to Architect. All minimum dimensions are to comply with the International Building Code, 2009 Edition.

SHOP DRAWINGS:
 Submit shop drawings to the Architect and Engineer for approval prior to installation of prefabricated elements of the building.



MidCity Lyons
Sewerage
Architects
Limited
2180 Collingwood St.
Edmonton, Alberta T6C 3B4
ph: (403) 429 1807
fax: (403) 429 6276



5217 SOUTH STATE STREET
SUITE 200
MURRAY, UT 84107
801.743.1500

EROSION CONTROL GENERAL NOTES:

THE CONTRACTOR TO USE BEST MANAGEMENT PRACTICES FOR PROVIDING EROSION CONTROL FOR CONSTRUCTION OF THIS PROJECT. ALL MATERIAL AND WORKMANSHIP SHALL CONFORM TO WEBER COUNTY ORDINANCES AND ALL WORK SHALL BE SUBJECT TO INSPECTION BY THE COUNTY. ALSO, INSPECTORS WILL HAVE THE RIGHT TO CHANGE THE FACILITIES AS NEEDED.

CONTRACTOR SHALL KEEP THE SITE WATERED TO CONTROL DUST. CONTRACTOR TO LOCATE A NEARBY HYDRANT FOR USE AND TO INSTALL TEMPORARY METER. CONSTRUCTION WATER COSTS TO BE INCLUDED IN BID.

WHEN GRADING OPERATIONS ARE COMPLETED AND THE DISTURBED GROUND IS LEFT "OPEN" FOR 14 DAYS OR MORE, THE AREA SHALL BE FURROWED PARALLEL TO THE CONTOURS.

THE CONTRACTOR SHALL MODIFY EROSION CONTROL MEASURES TO ACCOMMODATE PROJECT PLANNING.

ALL ACCESS TO PROPERTY WILL BE FROM PUBLIC RIGHT-OF-WAYS.

THE CONTRACTOR IS REQUIRED BY STATE AND FEDERAL REGULATIONS TO PREPARE A STORM WATER POLLUTION PREVENTION PLAN AND FILE A "NOTICE OF INTENT" WITH THE UTAH DIVISION OF WATER QUALITY.

MAINTENANCE:

ALL BEST MANAGEMENT PRACTICES (BMP'S) SHOWN ON THIS PLAN MUST BE MAINTAINED AT ALL TIMES UNTIL VEGETATION IS RE-ESTABLISHED.

THE CONTRACTOR'S RESPONSIBILITY SHALL INCLUDE MAKING BI-WEEKLY CHECKS ON ALL EROSION CONTROL MEASURES TO DETERMINE IF REPAIR OR SEDIMENT REMOVAL IS NECESSARY. CHECKS SHALL BE DOCUMENTED AND COPIES OF THE INSPECTIONS KEPT ON SITE.

SEDIMENT DEPOSITS SHOULD BE REMOVED AFTER EACH RAINFALL. THEY MUST BE REMOVED WHEN THE LEVEL OF DEPOSITION REACHES APPROXIMATELY ONE-HALF THE HEIGHT OF BARRIER.

SEDIMENT TRACKED ONTO PAVED ROADS MUST BE CLEANED UP AS SOON AS PRACTICAL, BUT IN NO CASE LATER THAN THE END OF THE NORMAL WORK DAY. THE CLEAN UP WILL INCLUDE SWEEPING OF THE TRACKED MATERIAL, PICKING IT UP, AND DEPOSITING IT TO A CONTAINED AREA.

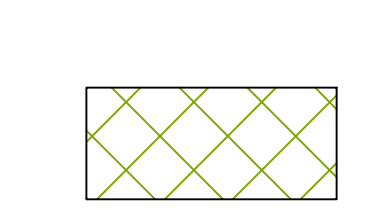
EXPOSED SLOPES:

ANY EXPOSED SLOPE THAT WILL REMAIN UNTOUCHED FOR LONGER THAN 14 DAYS MUST BE STABILIZED BY ONE OR MORE OF THE FOLLOWING METHODS:

- A) SPRAYING DISTURBED AREAS WITH A TACKIFIER VIA HYDROSEED
- B) TRACKING STRAW PERPENDICULAR TO SLOPES
- C) INSTALLING A LIGHT-WEIGHT, TEMPORARY EROSION CONTROL BLANKET

SCOPE OF WORK:

PROVIDE, INSTALL AND/OR CONSTRUCT THE FOLLOWING PER THE SPECIFICATIONS GIVEN OR REFERENCED, THE DETAILS NOTED, AND/OR AS SHOWN ON THE CONSTRUCTION DRAWINGS:



HATCHING INDICATES AREAS TO RECEIVE 4" TOPSOIL AND TO BE SEED FOR NATURAL REVEGETATION. AREAS RECEIVING SEEDING FOR NATURAL REVEGETATION ON SLOPES OF 3:1 OR STEEPER MUST BE COVERED WITH AN EROSION CONTROL BLANKET AFTER THE FINAL GRADING AND SEEDING ARE FINISHED. INSTALL NORTH AMERICAN GREEN SC-150 BLANKET OR APPROVED EQUAL. FOLLOW MANUFACTURER'S SPECIFICATIONS.



INSTALL INLET PROTECTION IN FORM OF CONCRETE BLOCKS / FILTER CLOTH / GRAVEL OR SILT SACK AT EXISTING AND PROPOSED CATCH BASINS AS SHOWN ON PLAN. SEE EROSION CONTROL DETAILS ON SHEET C701.



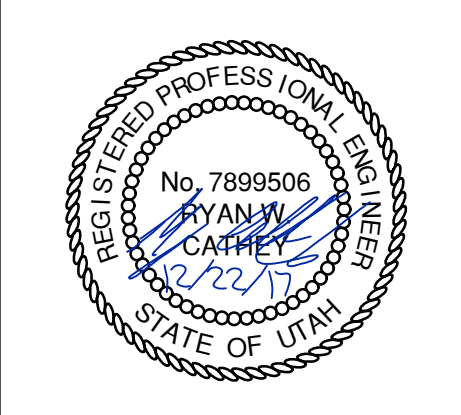
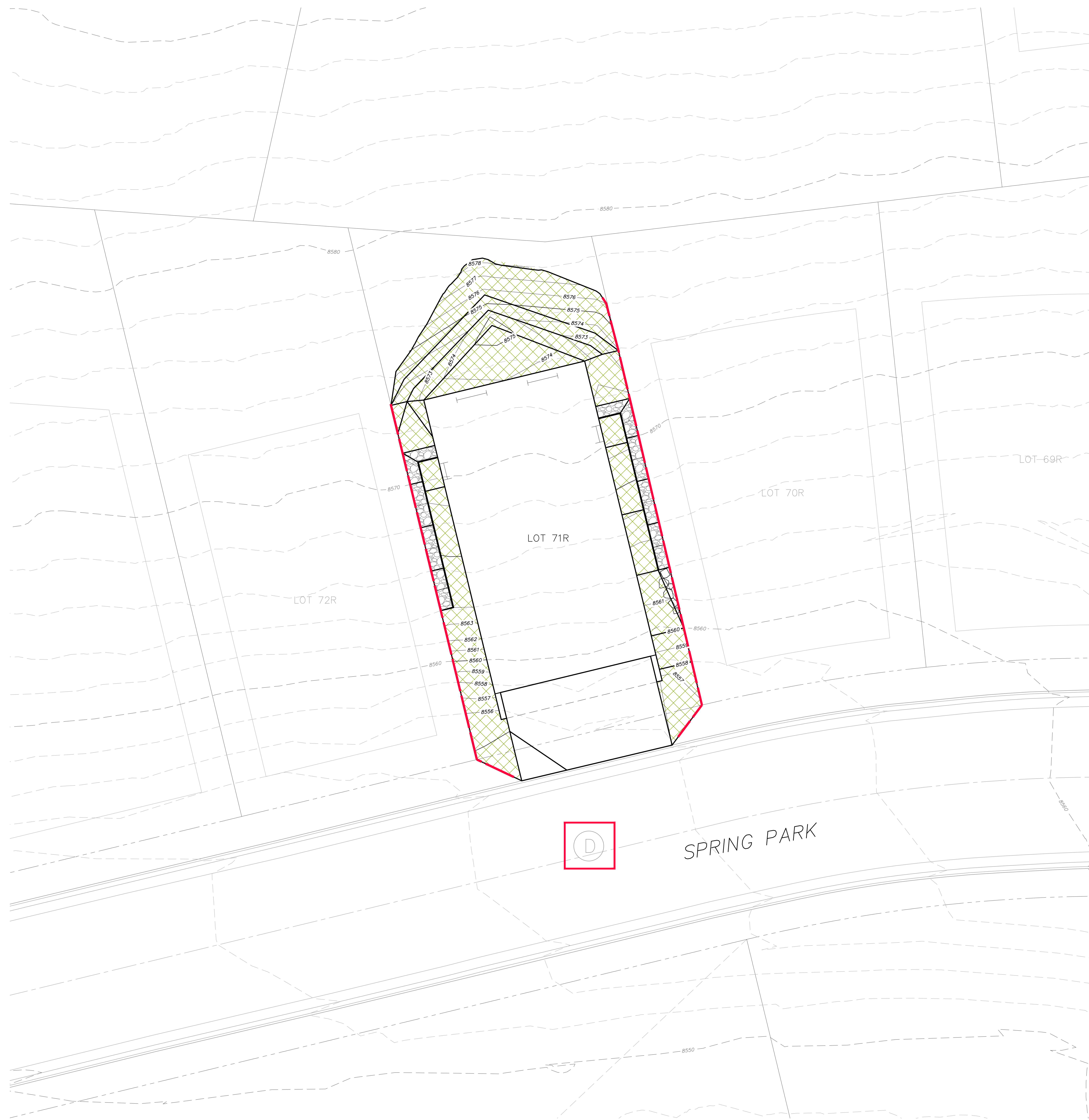
INSTALL SILT FENCE ALONG DOWN GRADIENT LIMITS OF DISTURBANCE AS SHOWN ON PLAN. SEE EROSION CONTROL DETAILS ON SHEET C701.



INSTALL ORANGE SAFETY FENCING AROUND OUTER LIMITS OF PROJECT PRIOR TO GRADING.

- SEED MIXTURE FOR REVEGETATION
- 40% MOUNTAIN BROME (*BROMUS MARGINATUS*)
 - 25% SLENDER WHEATGRASS (*ELYMUS TRACHYCAULUS* SPP. *TRACHYCAULUS*)
 - 5% SHEEP FESCUE (*FESTUCA OVINA* SPP. *DURIUSCULA*)
 - 5% ALPINE BLUEGRASS (*POA ALPINE*)
 - 25% THICKSPIKE WHEATGRASS (*ELYMUS LANCEOLATUS* SPP. *LANCEOLATUS*)

SEEDING RATE IS 40 POUNDS PER ACRE.



No.	Description	Date

NOTES:

COPYRIGHT RELATED TO THE USE OF THIS DRAWING:
The use of this drawing shall be governed by standard copyright law as generally accepted in architectural practice.

ARCHITECT'S REQUIREMENTS AND APPROVALS:
It is the Builder's responsibility to notify MidCity Lyons Sewerage Architects Ltd. and to seek prior written approval for materials and workmanship which deviates from instructions provided by the Architect.

ENGINEER'S REQUIREMENTS AND APPROVALS:
It is the Builder's responsibility to notify MidCity Lyons Sewerage Architects Ltd. and to seek prior written approval for materials and workmanship which deviates from instructions provided by the Engineer.

AUTHORITY'S REQUIREMENTS AND APPROVALS:
All materials and workmanship must comply with the requirements of all authorities having jurisdiction over the work. It is the Builder's responsibility to gain necessary approval from all relevant Authorities.

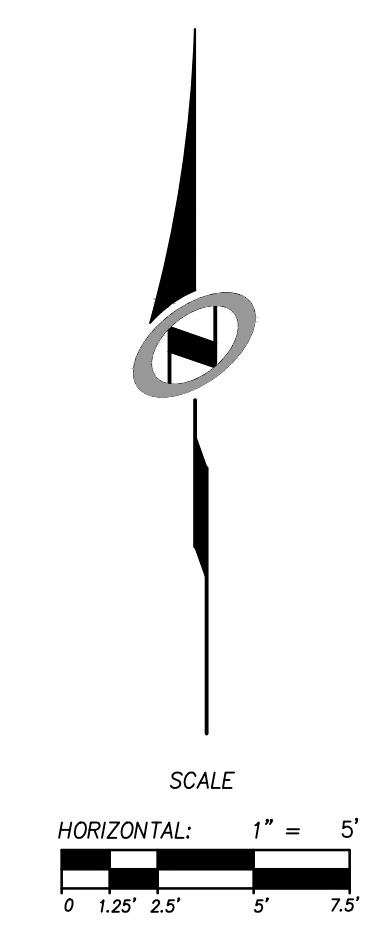
DIMENSIONS:
All dimensions must be verified on site. Do not scale off drawings. Plans take precedence over elevations. In the absence of dimensions, all dimensions shall be as shown on the drawing. All minimum dimensions are to comply with the International Building Code, 2009 Edition.

SHOP DRAWINGS:
Submit shop drawings to the Architect and Engineer for approval prior to installation of prefabricated elements of the building.

Erosion Control Plan

scale: 1"=5'
date: 02/22/2017
drawn: J.B.
checked: RWC

C601



Silt fence

1. GENERAL
 A. Description. A temporary sediment barrier consisting of a filter fabric stretched across and attached to supporting posts and entrenched.
 B. Application. To intercept sediment from disturbed areas of limited extent.
 C. Perimeter Control. Place barrier at down gradient limits of disturbance.
 D. Sediment Barrier. Place barrier at toe of slope or soil stockpile.
 E. Protection of Existing Waterways. Place barrier at top of stream bank.
 F. Inlet Protection.

2. PRODUCTS
 A. Fabric. Synthetic filter fabric shall be a pervious sheet of propylene, nylon, polyester, or polyethylene yarn. Synthetic filter fabric shall contain ultraviolet ray inhibitors and stabilizers to provide a minimum of 6 months of expected usable construction life at a temperature range of 0 deg F to 120 deg F.
 B. Burlap. 10 ounces per square yard of fabric.
 C. Posts. Either 2" x 4" diameter wood, or 1.33 pounds per linear foot steel with a minimum length of 5 feet, or steel posts with projections for fastening wire to them.

3. EXECUTION
 A. Cut the fabric on site to desired width, unroll, and drape over the barrier. Secure the fabric toe with rocks or dirt and secure the fabric to the mesh with twin, staples or similar devices.
 B. When attaching two silt fences together, place the end post of the second fence inside the end post of the first fence. Rotate both posts at least 180 degrees on a clockwise direction to create a tight seal with the filter fabric. Drive both posts into the ground and bury the flap.
 C. When used to control sediments from a steep slope, place silt fences away from the toe of the slope for increased holding capacity.
 D. Maintenance
 1) Inspect immediately after each rainfall and at least daily during prolonged rainfall.
 2) Should the fabric on a silt fence or filter barrier decompose or become ineffective before the end of the expected usable life and the barrier still be necessary, replace the fabric promptly.
 3) Remove sediment deposits after each storm event. They must be removed when deposits reach approximately one-half the height of the barrier.
 4) Re-anchor fence as necessary to prevent shortcutting.
 5) Inspect for runoff bypassing ends of barriers or undercutting barriers.

Inlet protection - fence or straw bale

1. GENERAL
 A. Description. A temporary sediment barrier around storm drain inlet.
 B. Application. At inlets in paved or unpaved areas where up gradient area is to be disturbed by construction activities.

2. PRODUCT (Not used)

3. EXECUTION
 A. Installation and application criteria
 1) Provide up gradient sediment controls, such as silt fence during construction of inlet.
 2) When construction of inlet is complete erect straw bale barrier, silt fence or other approved sediment barrier surrounding perimeter of inlet.
 3) Install filter fabric completely around grate.
 B. Maintenance
 1) Inspect inlet protection after every large storm event and at a minimum of once monthly.
 2) Remove sediment accumulated when it reaches 4-inches in depth.
 3) Repair or re-align barrier or fence as needed.
 4) Look for bypassing or undercutting and re-compact soil around barrier or fence as required.

3/4" and 1" meter

1. GENERAL
 A. In street surfaces or other vehicular traffic areas (like driveway approaches), install the same type of meter box as required for 1 1/2" and 2" service meters. See Plan 522.
 B. Before backfilling, secure inspection of installation by ENGINEER.

2. PRODUCTS
 A. Base Course. Untreated base course, APWA Section 32 11 23. Do not use gravel as a base course without ENGINEER's permission.
 B. Backfill. Common fill, APWA Section 31 05 13. Maximum particle size 2-inches.
 C. Castings. Grey iron class 35 minimum per ASTM A 48, coated with asphalt based paint or better.

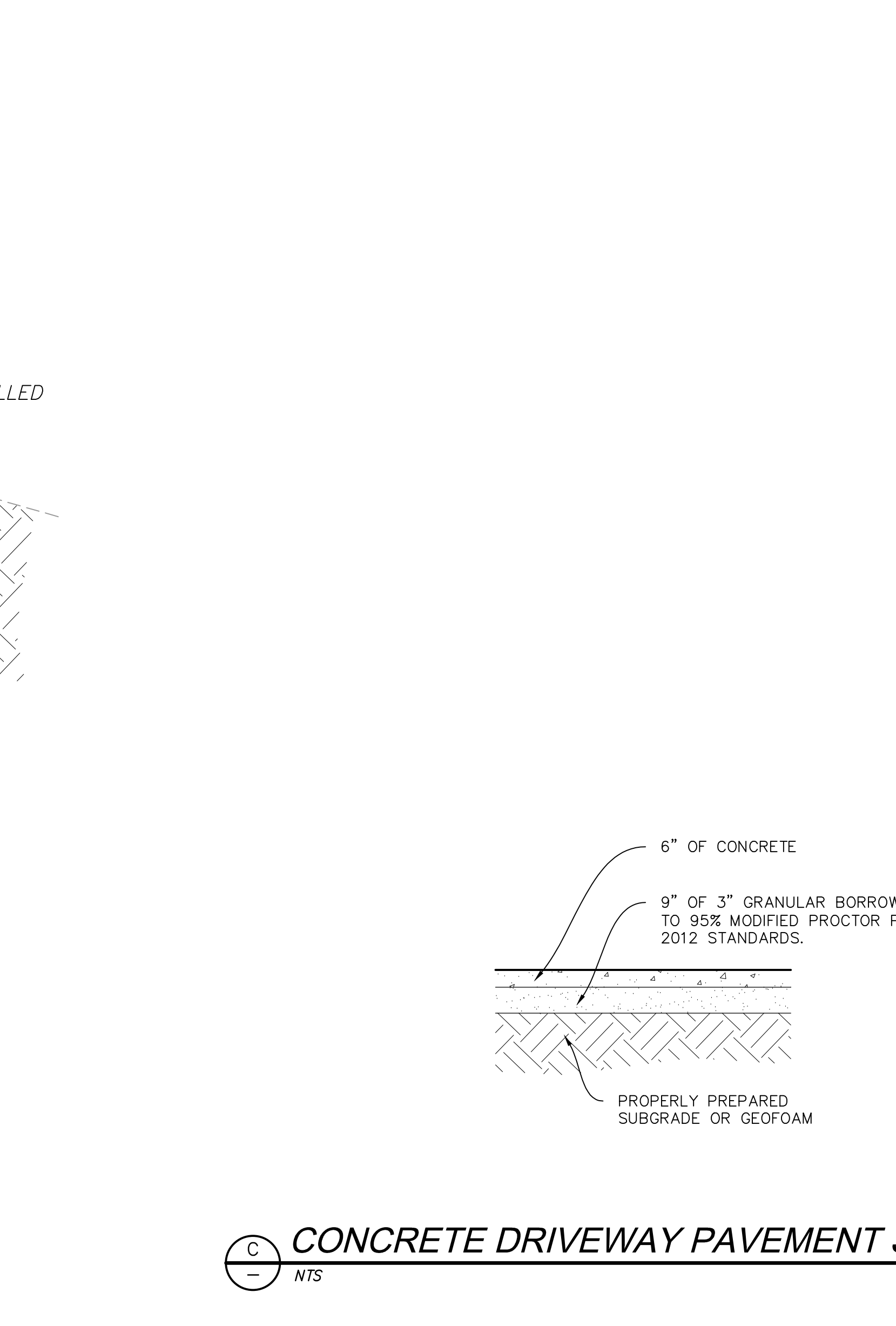
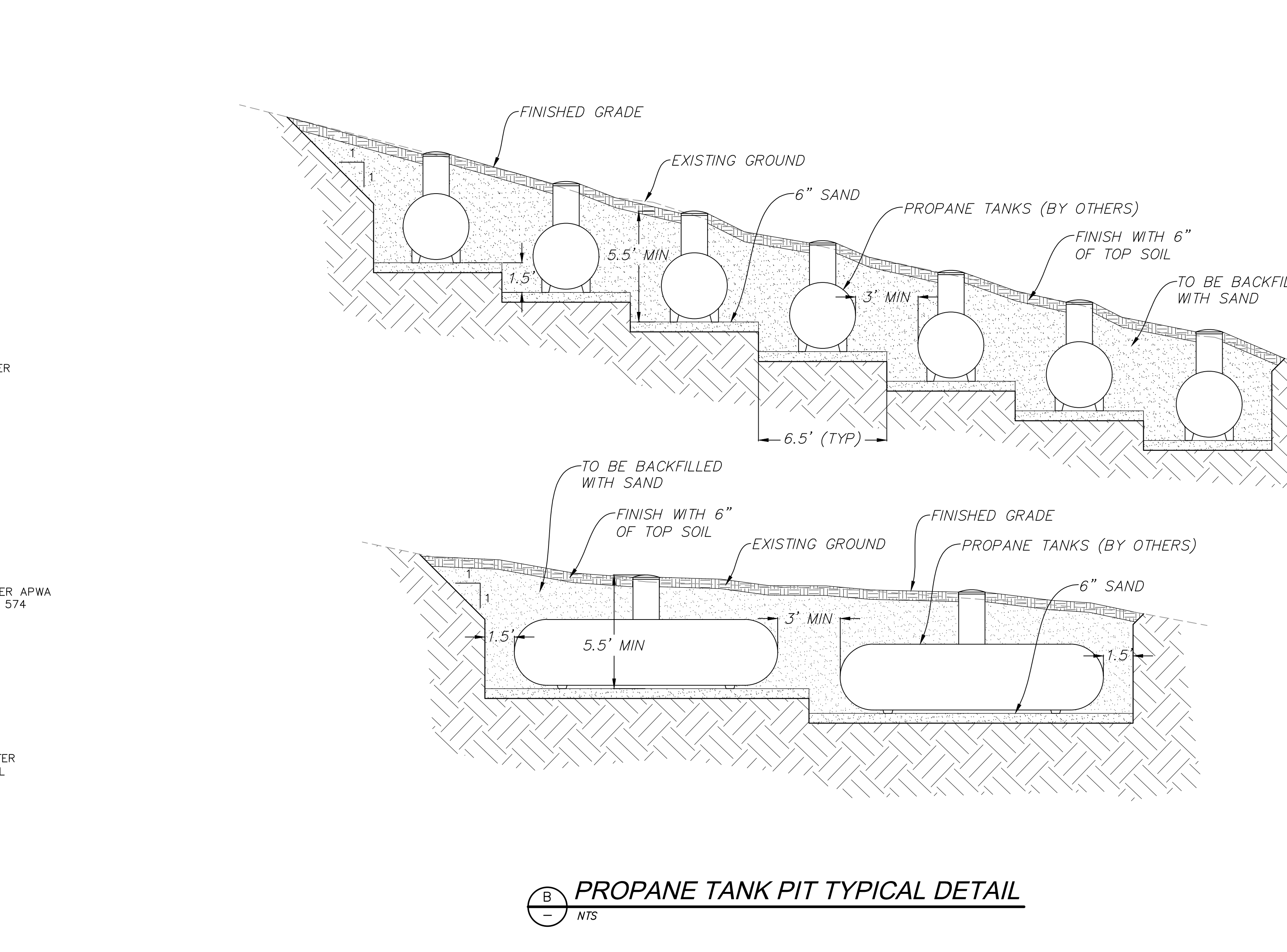
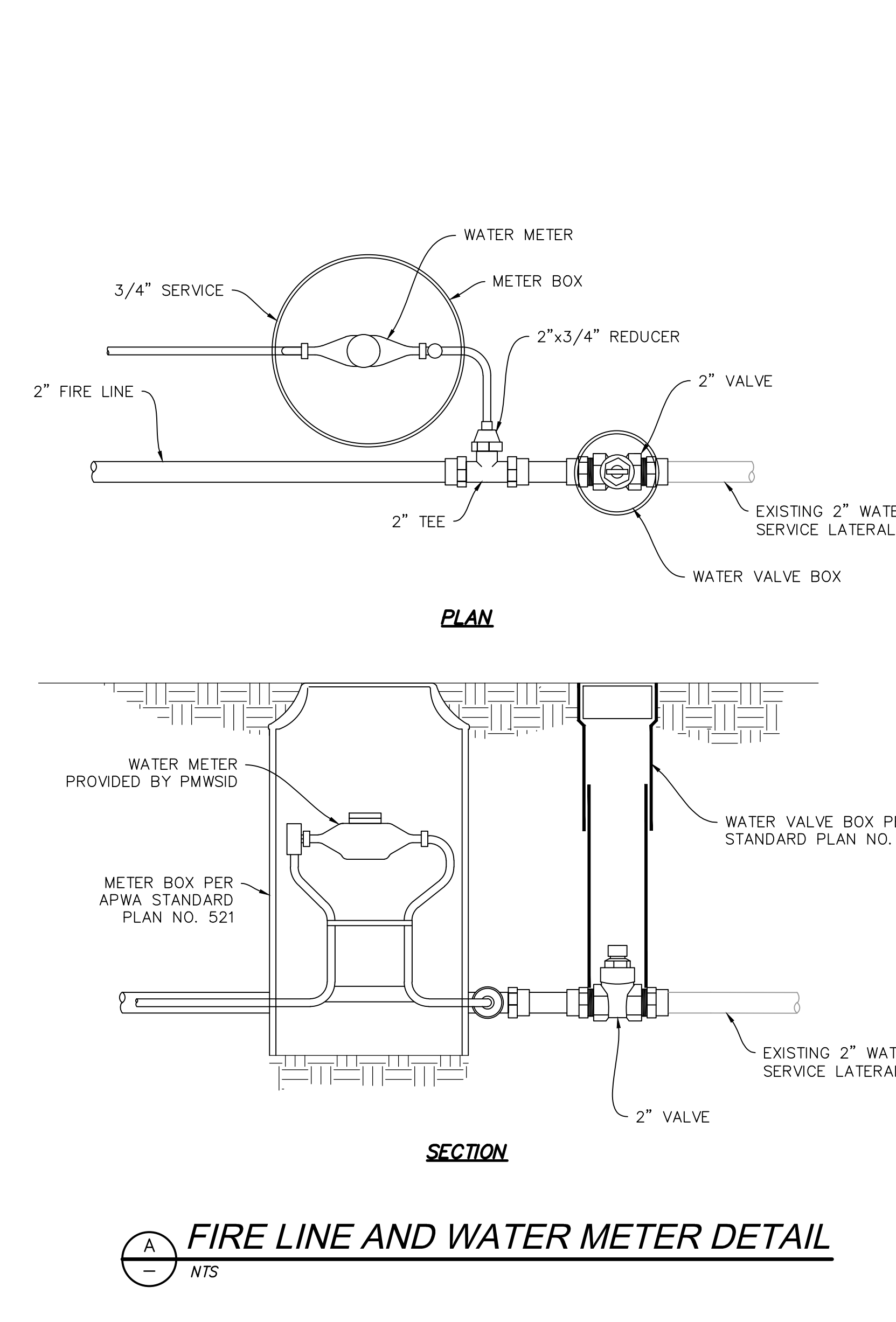
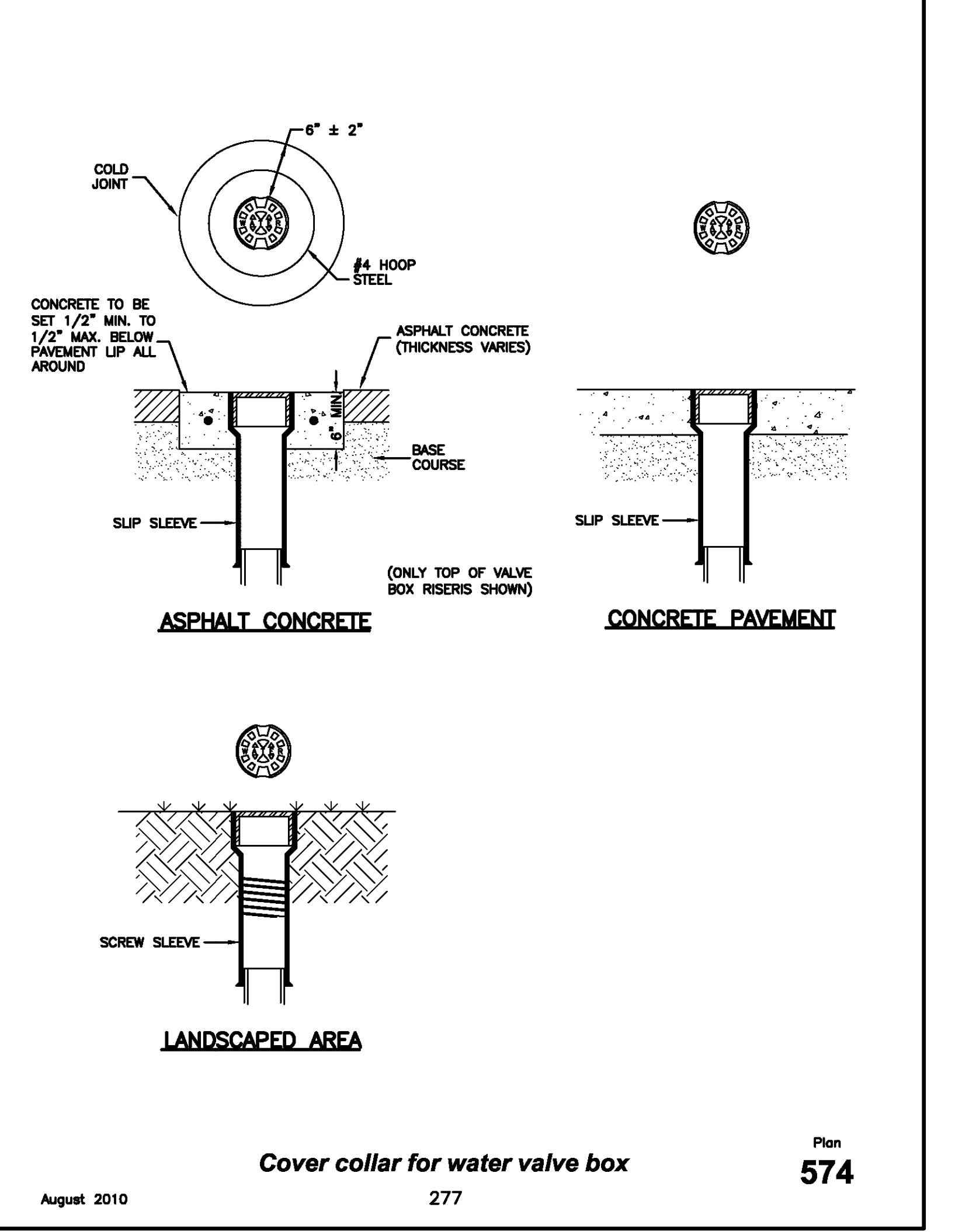
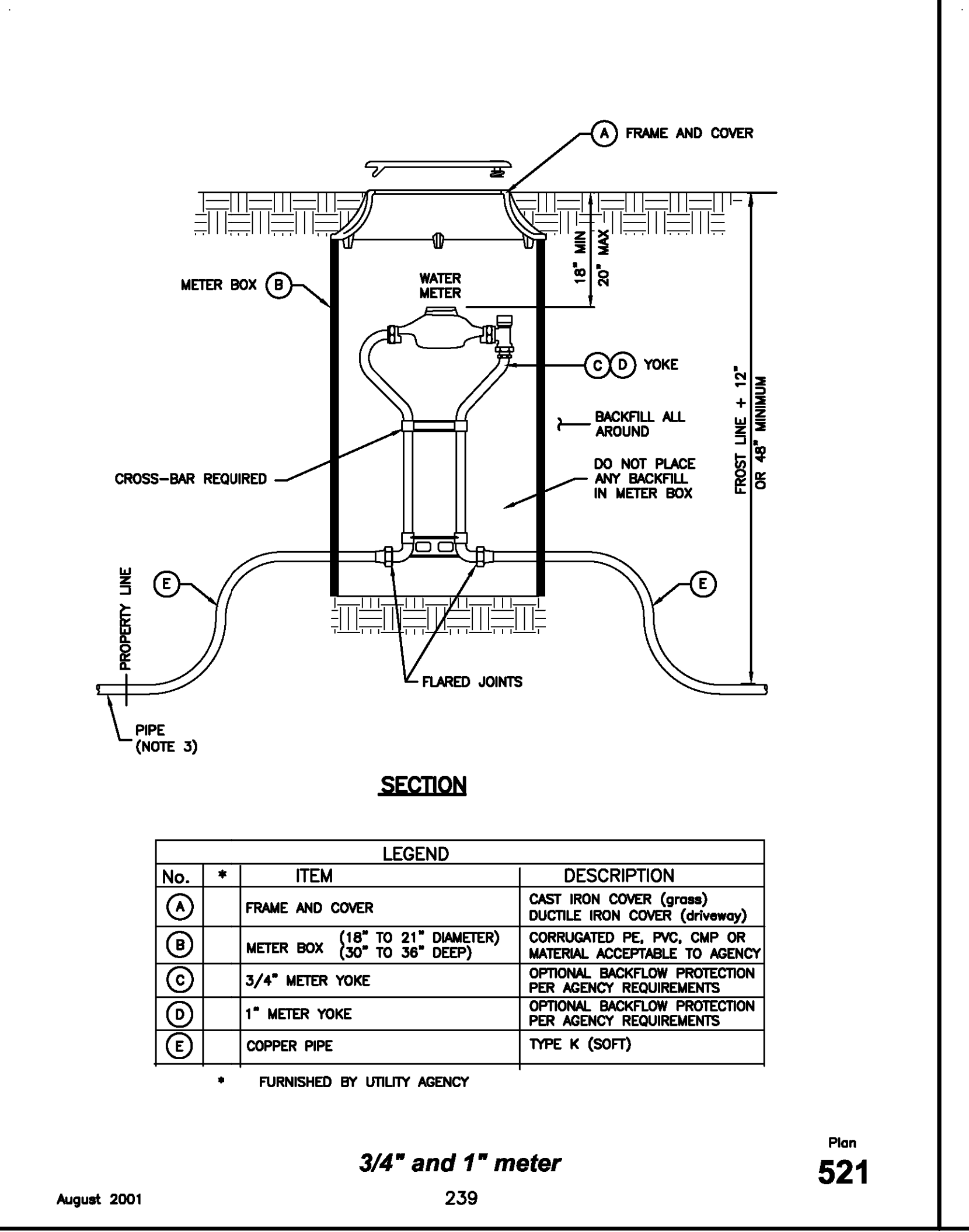
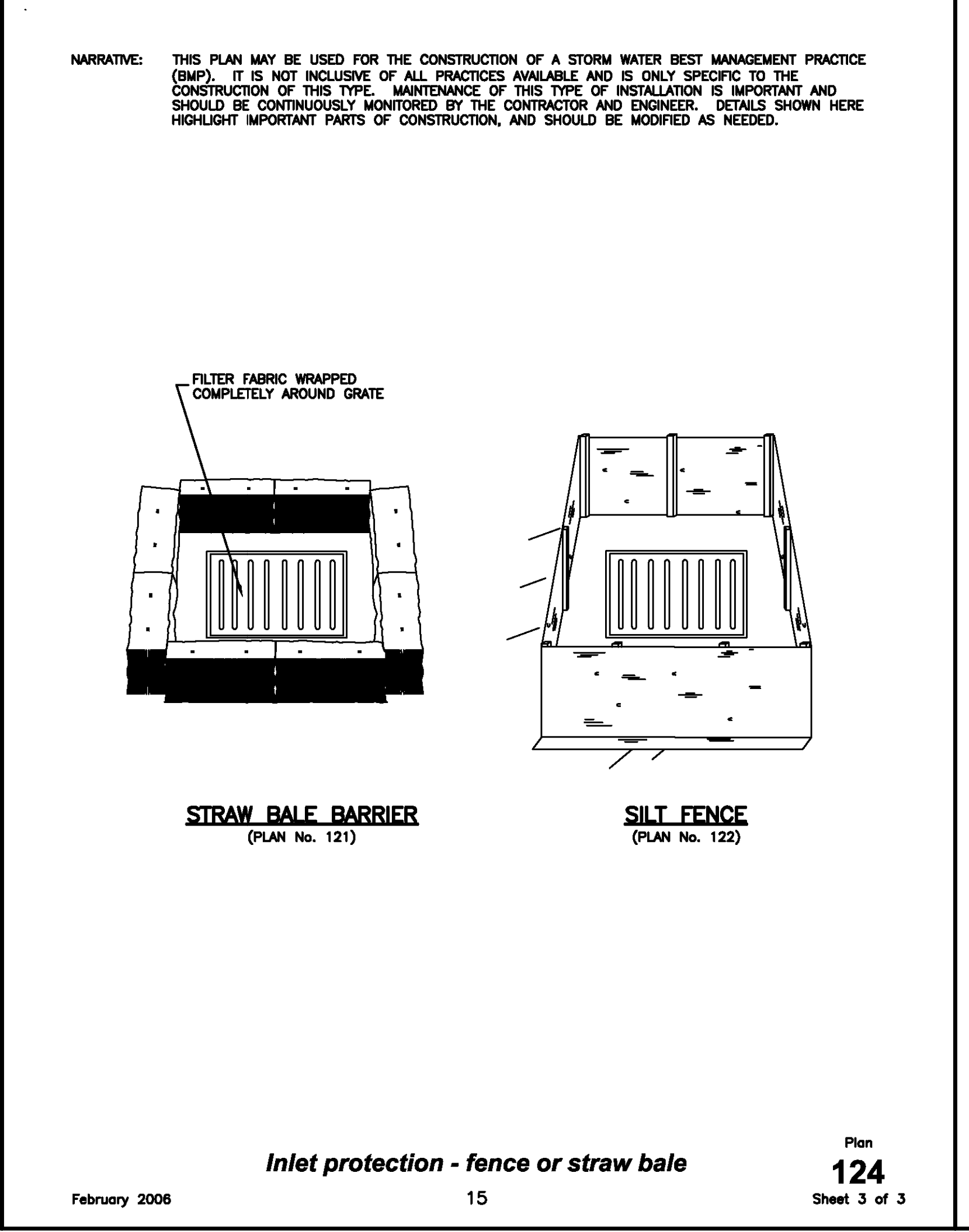
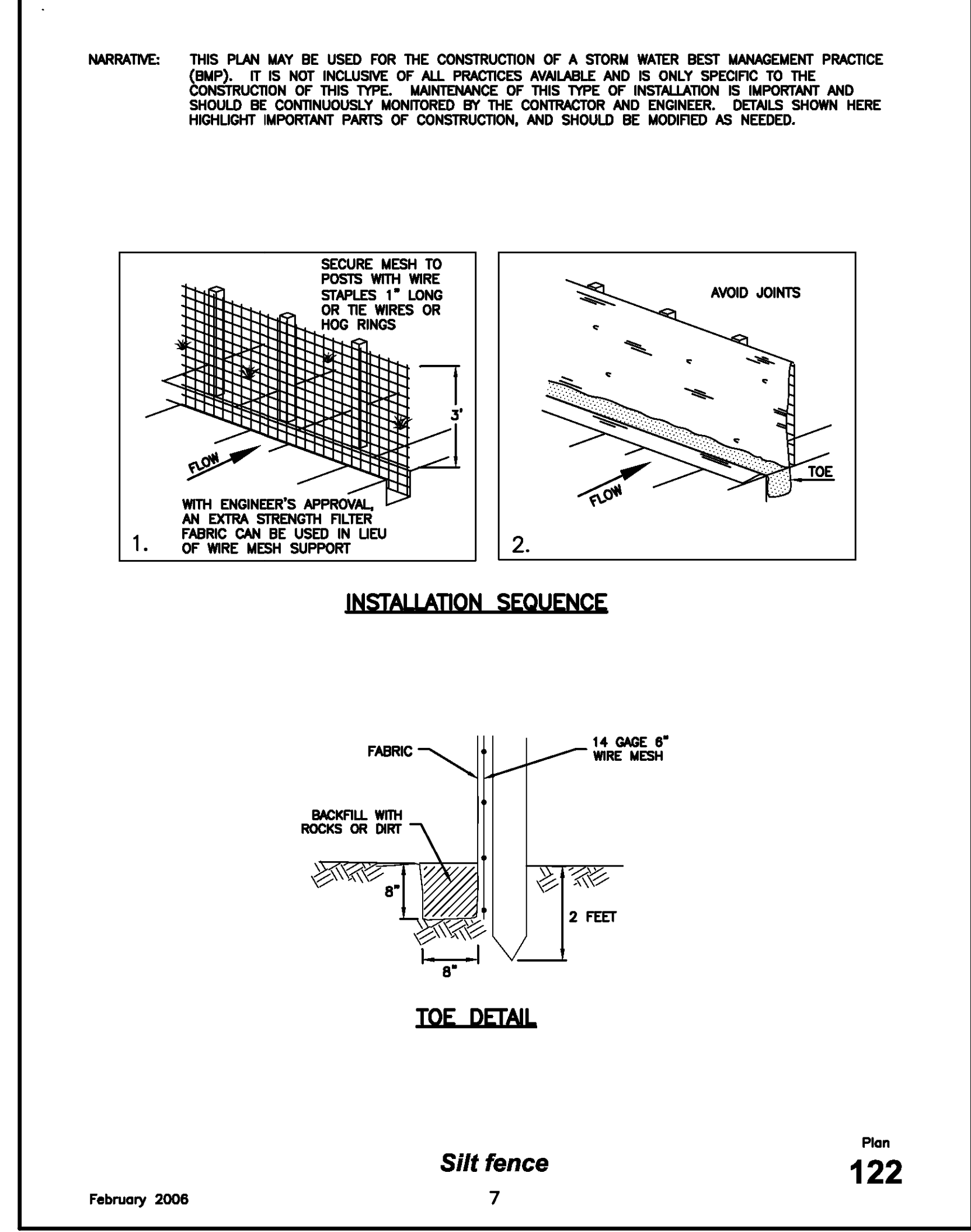
3. EXECUTION
 A. Meter Placement
 1) All meters are to be installed in the park strip or within 7 feet of the property line (street side).
 2) Do not install meters under driveway approaches, sidewalks, or curb and gutter.
 B. Meter Box. Set box so grade of the frame and cover matches the grade of the surrounding surface.
 C. Pipe Outside of Right-of-Way. Coordinate with utility agency or adjacent property owner for type of pipe to be used outside of right-of-way.
 D. Inspection. Before backfilling around meter box, secure inspection of installation by ENGINEER.
 E. Base Course and Backfill Placement. Compaction is 95 percent or greater relative to a modified proctor density, APWA Section 31 23 26. Maximum lift thickness before compaction is 6-inches.

Cover collar for water valve box

1. GENERAL
 A. In a pavement surface, fill an annular space around a frame and cover casting with concrete. The concrete will support the casting under traffic loadings.

2. PRODUCTS
 A. Base Course. Untreated base course, APWA Section 32 11 23. Do not use gravel as a base course without ENGINEER's permission.
 B. Concrete. Class 4000, APWA Section 03 30 04.
 C. Concrete Curing Agent. Type ID Class A (clear with fugitive dye), membrane forming compound, APWA Section 03 39 00.

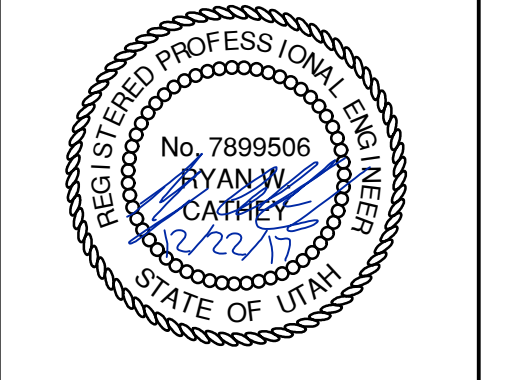
3. EXECUTION
 A. Base Course. Maximum lift thickness is 9-inches before compaction. Compaction is 95 percent or greater relative to a modified proctor density, APWA Section 31 23 26.
 B. Pavement Preparation. Provide a neat vertical and concentric joint between concrete collar and existing asphalt concrete surface. Clean edges of all dirt, oil, and loose debris.



MidCity Lynn
 Sweezy
 Architects
 Limited

2180 Collingwood St.
 Halifax, Nova Scotia
 Canada B3K 3B4

PH: (902) 429-1867
 FAX: (902) 429-6276



No.	Description	Date

NOTES:
 1. The use of this drawing shall be governed by standard copyright law as generally accepted in architectural practice.

ARCHITECT'S REQUIREMENTS AND APPROVALS:
 It is the Builder's responsibility to notify MidCity Lynn Sweezy Architects Ltd. and to seek prior written approval for materials and workmanship which deviates from instructions provided by the Architect.

ENGINEER'S REQUIREMENTS AND APPROVALS:
 It is the Builder's responsibility to notify MidCity Lynn Sweezy Architects Ltd. and to seek prior written approval for materials and workmanship which deviates from instructions provided by the Engineer.

AUTHORITY'S REQUIREMENTS AND APPROVALS:
 All materials and workmanship must comply with the requirements of all authorities having jurisdiction over the work. It is the Builder's responsibility to obtain necessary approval from all relevant Authorities.

DIMENSIONS:
 All dimensions must be verified on site. Do not scale off drawings. Plans take precedence over elevations. In the absence of dimensions, all dimensions shall conform with the International Building Code, 2009 Edition.

SHOP DRAWINGS:
 Submit shop drawings to the Architect and Engineer for approval prior to manufacture of prefabricated elements of the building.

Details

scale: N/A
 date: 02/22/2017
 drawn: J.B.
 checked: R.W.C.

C701

TYPE	INTERIOR WALL TYPE DESCRIPTION
P1	+ 1/2" GWB to u/s of structure, PTD + 2x4 studs on a common 2x6 plate @ 16" o.c. + acoustic batt to fill cavity + 1/2" GWB to u/s of structure, PTD
P2	+ 1/2" GWB to u/s of structure, PTD + 2x6 studs @ 16" o.c. + 5 1/2" acoustic batt in cavity + 1/2" GWB to u/s of structure, PTD
P3	+ 1/2" GWB to u/s of structure, PTD + 2x6 studs @ 16" o.c. + 1/2" GWB to u/s of structure, PTD
P4	+ 1/2" GWB to u/s of structure, PTD + 2x4 studs @ 16" o.c. + 1/2" GWB to u/s of structure, PTD
P5	+ tile TBD + 5/8" tile backer board to u/s of structure + 2x4 studs @ 16" o.c. + 3 1/2" acoustic batt in cavity + 1/2" GWB to u/s of structure, PTD
P6	+ tile TBD + 5/8" tile backer board to u/s of structure + 2x4 studs on common 2x6 plate @ 16" o.c. + 5 1/2" acoustic batt in cavity + 5/8" tile backer board to u/s of structure + tile TBD
P7	+ tile TBD + 5/8" tile backer board to u/s of structure + 2x6 studs @ 16" o.c. + 5 1/2" acoustic batt in cavity + 1/2" GWB to u/s of structure, PTD
P8	+ 1/2" GWB, PTD + 2x6 studs @ 16" o.c. + 2x4 studs @ 16" o.c. + 1/2" GWB + Backsplash, refer to spec

FLOOR TYPE DESCRIPTION

<p>Floor Assembly Type 1 System Components:</p> <ul style="list-style-type: none"> Thinslet tile, refer to specification 4" reinforced concrete slab on grade as per structural w/ hydronic in-floor heating system, refer to finish schedule for finish 10 mil. poly under slab vapor retarder (seal all joints) 2" XPS rigid insulation (R10) 6" compacted gravel base 	
<p>Floor Assembly Type 2 System Components:</p> <ul style="list-style-type: none"> Thinslet tile, refer to specification Anti-fracture membrane, refer to specification 1 1/2" gyp-crete over-pour w/ in-floor heating, refer to specification 3/4" sheathing as per structural 14" I-Joists, refer to structural Acoustic insulation, refer to specification 5/8" gypsum, ceiling finish as noted 	
<p>Floor Assembly Type 3 - 1 HR FRR Required System Components:</p> <ul style="list-style-type: none"> Thinslet tile TBC Anti-fracture membrane, TBC 1 1/2" gyp-crete over-pour w/ hydronic in-floor heating, refer to specification 3/4" plywood sub floor as per structural 14" I-Joists, refer to structural 6" 2lb. closed cell spray foam insulation (R36) 5/8" Type X Exterior Grade Gypsum sheathing Strapping as required Metal composite panel TBD 	

<p>Floor Assembly Type 4 System Components:</p> <ul style="list-style-type: none"> min. 4" reinforced concrete slab on grade as per structural, slope min. 2% to drain, refer to finish schedule for finish 10 mil. poly underslab vapor retarder (seal all joints) 2" XPS rigid insulation (R10) 6" compacted gravel base 	
<p>Floor Assembly Type 5 System Components:</p> <ul style="list-style-type: none"> Thinslet tile TBC Anti-fracture membrane, TBC 1 1/2" gyp-crete over-pour w/ in-floor heating, refer to specification 3/4" sheathing as per structural 14" I-Joists, refer to structural Acoustic insulation Furring as req'd. 5/8" gypsum, ceiling finish as noted 	
<p>Floor Assembly Type 6 System Components:</p> <ul style="list-style-type: none"> Thinslet tile Anti-fracture membrane 1 1/2" gyp-crete over-pour w/ in-floor heating, refer to specification 3/4" sheathing, refer to structural 14" I-Joists, refer to structural 5/8" gypsum, ceiling finish as noted 	
<p>Floor Assembly Type 7 System Components:</p> <ul style="list-style-type: none"> 2" concrete topping w/ in-floor heating, refer to specification 10 mil. vapor retarder (seal all joints) 2" XPS rigid insulation (R10) 4" reinforced concrete slab on grade as per structural 6" compacted gravel base 	
<p>Floor Assembly Type 8 System Components:</p> <ul style="list-style-type: none"> Thinslet tile TBC Ditra-heat Schluter assembly, refer to specification Over-pour to achieve slope 3/4" sheathing as per structural 14" I-Joists, refer to structural Acoustic insulation 5/8" gypsum, ceiling finish as noted 	
<p>Floor Assembly Type 9 System Components:</p> <ul style="list-style-type: none"> Thinslet tile TBC Ditra-heat Schluter assembly, refer to specification Over-pour to achieve slope 3/4" sheathing as per structural 14" I-Joists, refer to structural Acoustic insulation Furring as req'd 5/8" gypsum, ceiling finish as noted 	

EXTERIOR ROOF TYPE DESCRIPTION	
<p>Roof Assembly Type 1 (Sloped Roof) System Components:</p> <ul style="list-style-type: none"> Snow retention system, refer to spec. Standing-seam metal roofing system (Class A roof covering), refer to specification 2 layers of alternating 1x4 strapping 2" vapor-open mineral wool insulation board (R8), refer to specification Vapor open roof membrane, refer to spec 3/4" exterior grade sheathing as per structural 14" I-Joists, refer to structural 6" 2lb. closed-cell sprayfoam insulation (R36) Furring as req'd 5/8" gypsum board, painted finish 	
<p>Roof Assembly Type 2 System Components:</p> <ul style="list-style-type: none"> Concrete paver, refer to specification (Class A roof covering) Pedestal system, refer to specification PVC low-slop roofing membrane (Class A roof covering) Tapered insulation sloped to drain 1-1/2" XPS insulation (R7.5) Self-adhered air/vapour barrier 3/4" exterior grade sheathing as per structural 11 7/8" I-Joists, refer to structural 6" 2lb. closed-cell sprayfoam insulation (R36) Furring as req'd 5/8" gypsum board, painted finish 	

EXTERIOR WALL TYPE DESCRIPTION

<p>Exterior Wall Assembly 1 System Components:</p> <ul style="list-style-type: none"> Metal cladding system, refer to specification Vertical strapping as req'd 1-1/4" vapor-open mineral wool insulation board (R5), refer to specification Self-adhered vapor-open air barrier, refer to specification 1/2" exterior grade sheathing as per structural 2x6 wood studs as per structural 5" 2lb. closed-cell sprayfoam cavity insulation (R30) 2x4 stud wall, hold stud wall 1" from conc. wall below 1/2" gypsum board, painted finish 	
<p>Exterior Wall Assembly 2 System Components:</p> <ul style="list-style-type: none"> Metal cladding system, refer to specification Vertical strapping as req'd 1-1/4" vapor-open mineral wool insulation board (R5), refer to specification Self-adhered vapor-open air barrier, refer to specification 1/2" exterior grade sheathing as per structural 2x6 wood studs as per structural 5" 2lb. closed-cell sprayfoam cavity insulation (R30) 1/2" gypsum board, painted finish 	
<p>Exterior Wall Assembly 3 System Components:</p> <ul style="list-style-type: none"> Metal Composite panel TBC Vertical strapping 1-1/4" vapor-open mineral wool insulation board (R5), refer to specification self-adhered vapor-open air barrier, refer to specification 1/2" exterior grade sheathing as per structural 2x6 wood studs as per structural 5" 2lb. closed-cell sprayfoam cavity insulation (R30) 1/2" gypsum board, painted finish 	
<p>Exterior Wall Assembly 4 System Components:</p> <ul style="list-style-type: none"> Metal cladding system, refer to specification Vertical strapping as req'd Reinforced boardform concrete wall as per structural 4-1/2" 2lb. closed-cell spray foam insulation (R27) 2x4 stud wall, hold stud wall 1" from conc. wall below 1/2" gypsum board, painted finish 	

<p>Exterior Wall Assembly 5 System Components:</p> <ul style="list-style-type: none"> Reinforced boardform concrete wall as per structural 4-1/2" 2lb. closed-cell spray foam insulation (R27) 2x4 stud wall, hold stud wall 1" from conc. wall below 1/2" gypsum board, painted finish 	
<p>Exterior Wall Assembly 6 System Components:</p> <ul style="list-style-type: none"> Standing-seam metal cladding system, refer to specification 2 layers of alternating 1x4 strapping 2" vapor-open mineral wool insulation board (R8), refer to specification Vapor-open roof membrane, refer to specification 3/4" exterior grade sheathing as per structural 2x6 wood studs as per structural 5" 2lb. closed-cell spray foam insulation (R30) 1/2" gypsum board, painted finish 	
<p>Exterior Wall Assembly 7 System Components:</p> <ul style="list-style-type: none"> Aluminum panel, refer to specification 1x4 vertical strapping Vapor-open roof membrane, refer to specification 3/4" exterior grade sheathing as per structural 2x6 wood studs as per structural 4" 2lb. closed-cell spray foam insulation (R24) 1/2" gypsum board, painted finish 	
<p>Foundation Wall Assembly 1 System Components:</p> <ul style="list-style-type: none"> 6" gravel backfill Foundation waterproofing system, refer to specification Reinforced concrete boardform foundation wall as per structural 4 1/2" 2lb. closed cell sprayfoam insulation (R27) 2x4 studs wall, hold stud wall 1" from wall and insulate behind 1/2" gypsum board, painted finish 	
<p>Foundation Wall Assembly 2 System Components:</p> <ul style="list-style-type: none"> 6" gravel backfill Foundation waterproofing system, refer to specification Reinforced boardform concrete foundation wall as per structural 	

1 Partition Type Legend
Scale 1 1/2" = 1'-0"

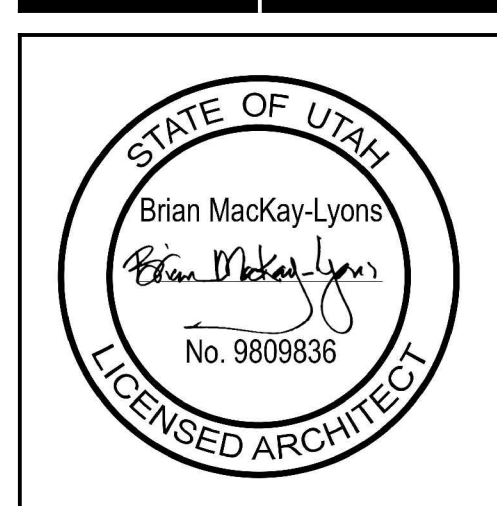
Lot 71R
Village House

Summit Powder Mountain
Evan, Utah

Mackay-Lyons
Sweetapple
Architects
Limited

2188 Göttingen St.
Halifax, Nova Scotia
Canada B3K 3B4

ph: (902) 429-1867
fax: (902) 429-6276



No.	Description	Date
3	Issued for Construction	2018.03.13
2	Issued for Tender	2017.12.22
1	for coordination	2017.12.1

Revision:

No.	Description	Date
3	Issued for Construction	2018.03.13
2	Issued for Tender	2017.12.22
1	for coordination	2017.12.1

NOTES:

COPYRIGHT RELATED TO THE USE OF THIS DRAWING:
The use of this drawing shall be governed by standard copyright law as generally accepted in architectural practice.

ARCHITECT'S REQUIREMENTS AND APPROVALS:
It is the Builder's responsibility to notify Mackay-Lyons Sweetapple Architects Ltd. and to seek prior written approval for materials and workmanship which deviates from instructions provided by the Architect.

ENGINEER'S REQUIREMENTS AND APPROVALS:
It is the Builder's responsibility to notify Mackay-Lyons Sweetapple Architects Ltd. and to seek prior written approval for materials and workmanship which deviates from instructions provided by the Engineer.

AUTHORITIES' REQUIREMENTS AND APPROVALS:
All materials and workmanship must comply with the requirements of all authorities having jurisdiction over the work. It is the Builder's responsibility to gain necessary approval from all relevant Authorities.

DIMENSIONS:
All dimensions must be verified on site. Do not scale off drawings. Plans take precedent over elevations. In the absence of dimensions, or if discrepancies exist, consult Architect. All minimum dimensions are to comply with the International Residential Code.

SHOP DRAWINGS:
Submit shop drawings to the Architect and Engineer for approval prior to manufacture of prefabricated elements of the building.

Partition Types

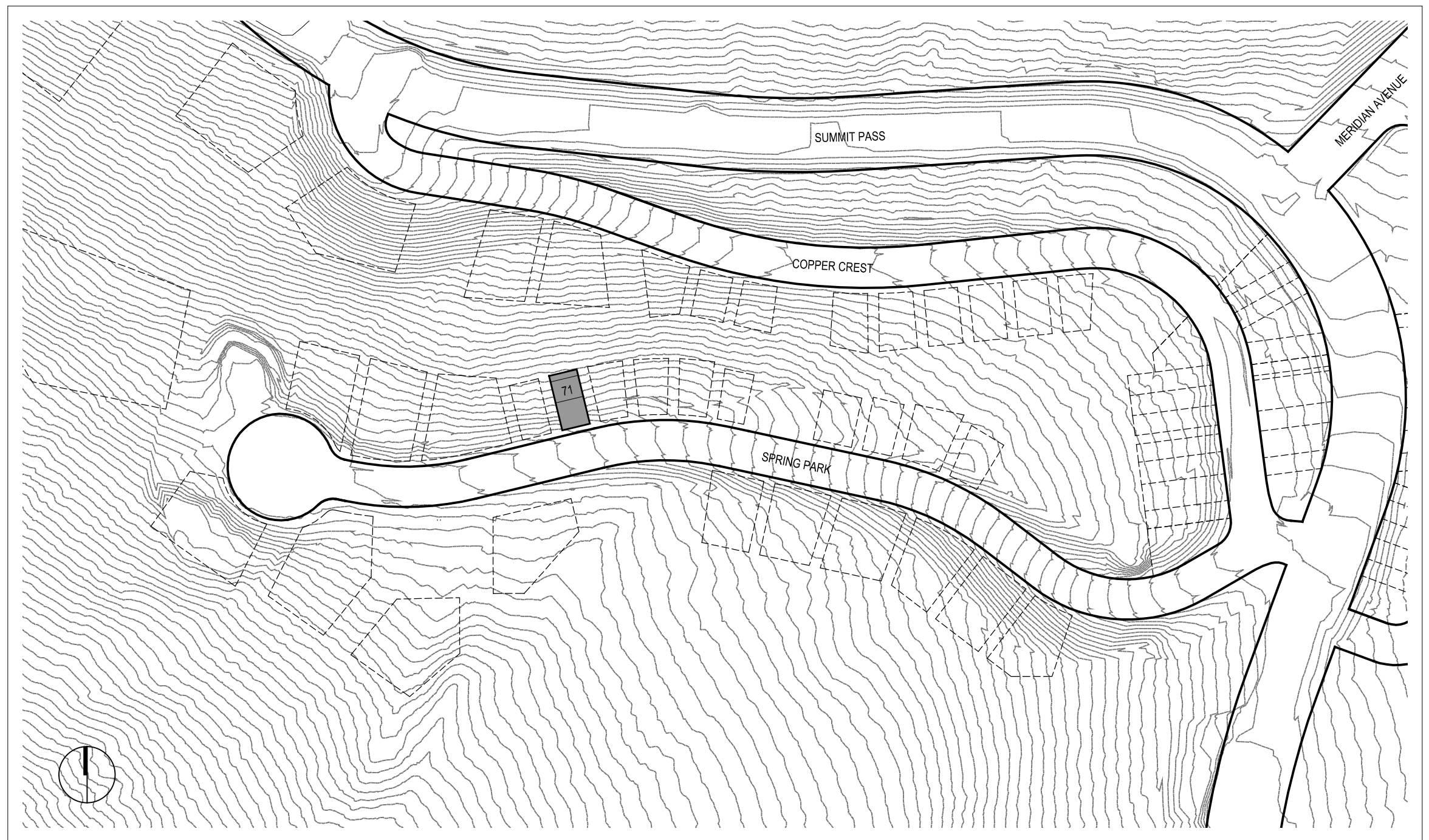
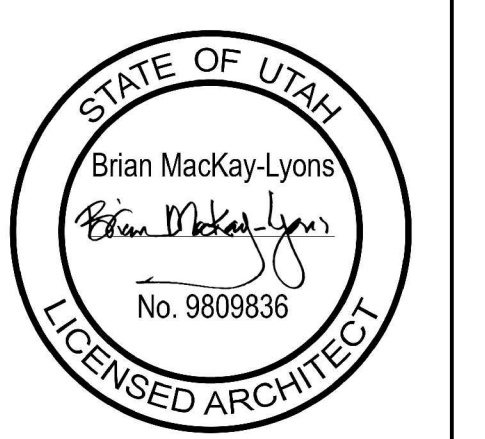
scale: as noted
date: 17-11-23
drawn: WPI/RD
chk'd: BML

A001

MackKay-Lyons
Sweetapple
Architects
Limited

2188 Göttingen St.
Halifax, Nova Scotia
Canada B3K 3B4

ph: (902) 429.1867
fax: (902) 429.6276



5
A001 Key Plan
NTS

Room	Mark	Fixture	Manufacturer	Model	
KITCHEN	1	Fridge	Thermador	T3688920S 36-inch built-in 2-door bottom freezer	
	2	Dishwasher	Thermador	DWH440MPR	
	3	Microwave	Thermador	MBES built-in microwave	
	4	Oven	Thermador	ME3015 30-inch built-in single oven	
	7	Cooktop	Thermador	CT165KM 36-inch induction cooktop	
	10	Vent Hood	Thermador	VCH36IP 36-inch custom insert	
	8	Dumb-waiter	Inclinor	Homewaiter	
	MUD ROOM	5	Washer	Maytag	MHW8200FC
		6	Dryer	Maytag	MGD8200FC
	POWDER ROOM		Toilet	Duravit	Floor Standing Blissless #216709_92
		Sink	Catalano	Premium 60x47 #160VPOD	
		Faucet	Hansgrohe	Talis S #32146001	
BATHROOM 1-4		Toilet	Duravit	Floor Standing Blissless #216709_92	
		Sink	Catalano	Premium 60x47 #160VPOD	
		Faucet	Hansgrohe	Talis S #32146001	
		Overhead Shower	Hansgrohe	Raindance E #27381000	
		Hand Shower	Hansgrohe	Raindance Select E #26520000	
		Shower Controls	Hansgrohe	Shower Select #15761000	
	SHOWER ROOM		Overhead Shower	Hansgrohe	Raindance E #27381000
		Hand Shower	Hansgrohe	Raindance Select E #26520000	
		Shower Controls	Hansgrohe	Shower Select #15761000	

4
A001 Fixture Schedule

	Baseboard		North Wall		East Wall		South Wall		West Wall		Floors	Ceiling
	Material	Finish	Material	Finish	Material	Finish	Material	Finish	Material	Finish	Material	Finish
GROUND LEVEL												
Garage	N/A	N/A	GWB	PT-C1	CONC	BF	CONC	BF	CONC	BF	CONC	MTL SAT
Entry	PVC	PT-C1	GWB	PT-C1	GWB	PT-C1	GWB	PT-C1	GWB	PT-C1	CONC/POL	GWB
WC	PVC	PT-C1	GWB	PT-C1	GWB	PT-C1	GWB	PT-C1	GWB	PT-C1	CONC/POL	GWB
SECOND LEVEL												
Living Room	PVC	PT-C1	GWB	PT-C1	GLZ/GWB	PT-C1	GLZ	N/A	GLZ/GWB	PT-C1	CONC/CTA	GWB
Bathroom 1	PVC	PT-C1	GWB	PT-C1	CT1/GWB	PT-C1	CT1/GWB	PT-C1	CT1/GWB	PT-C1	CONC/CTA	GWB
Bathroom 2	PVC	PT-C1	GWB	PT-C1	CT1/GWB	PT-C1	CT1/GWB	PT-C1	CT1/GWB	PT-C1	CONC/CTA	GWB
Bedroom 1	PVC	PT-C1	GWB	PT-C1	GWB	PT-C1	GWB	PT-C1	GLZ/GWB	PT-C1	CONC/CTA	GWB
Bedroom 2	PVC	PT-C1	GWB	PT-C1	GLZ/GWB	PT-C1	GLZ	N/A	GLZ/GWB	PT-C1	CONC/CTA	GWB
THIRD LEVEL												
Kitchen	PVC	PT-C1	GWB	PT-C1	GLZ/GWB	PT-C1	GLZ	N/A	GLZ/GWB	PT-C1	CONC/CTA	GWB
Bathroom 3	PVC	PT-C1	GWB	PT-C1	CT1/GWB	PT-C1	CT1/GWB	PT-C1	CT1/GWB	PT-C1	CONC/CTA	GWB
Bathroom 4	PVC	PT-C1	GWB	PT-C1	CT1/GWB	PT-C1	CT1/GWB	PT-C1	CT1/GWB	PT-C1	CONC/CTA	GWB
Bedroom 3	PVC	PT-C1	GLZ/GWB	PT-C1	GLZ	N/A	GLZ	N/A	GLZ/GWB	PT-C1	CONC/CTA	GWB
Bedroom 4	PVC	PT-C1	GLZ/GWB	PT-C1	GLZ/GWB	PT-C1	GLZ	N/A	GLZ/GWB	PT-C1	CONC/CTA	GWB
FOURTH LEVEL												
Lounge	PVC	PT-C1	GWB	PT-C1	GLZ/GWB	PT-C1	GLZ/GWB	PT-C1	GLZ/GWB	PT-C1	CONC/CTA	GWB
Shower	N/A	N/A	CT1/GWB	PT-C1	CT1/GWB	PT-C1	CT1/GWB	PT-C1	CT1/GWB	PT-C1	CONC/CTA	CT1/GWB
WC	PVC	PT-C1	GWB	PT-C1	GWB	PT-C1	GWB	PT-C1	GWB	PT-C1	CONC/CTA	GWB

Finish Types:
 PT-C1 - Benjamin Moore Decorators White - Egg Shell Finish
 PT-C3 - Benjamin Moore Decorators White - Flat Finish (Ceilings Only)
 WDI - engineered hardwood floors
 PDL - polished concrete
 BF - 4" board form
 CT1 - white subway tile 4x16
 CT2 - grey 2x2 antislip tile
 CT3 - large format tile
 SAT - satin

Legend:
 N/A - not applicable
 GWB - gypsum wall board per spec.
 CONC - concrete
 CT - ceramic tile
 MTL - metal composite panel
 GLZ - floor to ceiling glazing
 PVC - polyvinyl chloride

3
A001 Room Finish Schedule

AD	AREA DRAIN	DN	DOWN	LO	LOW	RM	ROOM	WD	WOOD
ADJ	ADJACENT	DR	DOOR	MAX	MAXIMUM	SC	SAW CUT		
AFF	ABOVE FINISHED FLOOR	DWG	DRAWING	MD	MASONRY OPENING	SM	SIMILAR		
ALUM	ALUMINUM	EA	EACH	MECH	MECHANICAL	SPEC	SPECIFIED OR SPECIFICATION		
ANOD	ANODIZED	EL	ELEVATION	MEMBR	MEMBRANE	SPK	SPRINKLER		
BSMT	BASEMENT	ELEC	ELECTRICAL	MN	MINIMUM	STL	STAINLESS STEEL		
BYOND	BEYOND	ELEV	ELEVATOR/ELEVATION	MRGB	MOISTURE-RESISTANT	STC	SOUND TRANSMISSION COEFFICIENT		
BTM	BOTTOM	EQ	EQUAL		GYPSUM WALL BOARD	STL	STEEL		
BW	BETWEEN	FOC	FACE OF CONCRETE	MTL	METAL	STRUCT	STRUCTURAL		
CHNL	CHANNEL	FPF	FACE OF WOOD FRAMING	NIC	NOT IN CONTRACT	TELE	TELEPHONE		
CJ	CONTROL JOINT	FDN	FOUNDATION	NOM	NOMINAL	TLT	TOILET		
CLG	CEILING	GA	GUAGE	OC	ON CENTER	TOFF	TOP OF FINISHED FLOOR		
CLR	CLEAR	GALV	GALVANIZED	OH	OPPOSITE HAND	TOC	TOP OF CONCRETE		
CMU	CONCRETE MASONRY UNIT	GWB	GYPSUM WALL BOARD	OZ	OUNCE	TOS	TOP OF STEEL		
COF	CENTERLINE OF WOOD FRAMING	HC	HOLLOW CORE	POC	PRE-CAST CONCRETE	TP	TOILET PAPER DISPENSER		
COL	COLUMN	HF	HIGH	PVD	POLYVINYL DIBLENDE	TID	TELEPHONE DATA		
CONC	CONCRETE	HM	HOLLOW METAL	PT	PRESSURE TREATED	UON	UNLESS OTHERWISE NOTED		
CONT	CONTINUOUS	HP	HIGH POINT	PTD	PAINTED	US	UNDERSIDE		
OPT	CORSET	HVAC	HEATING VENTILATING AND AIR CONDITIONING	PVC	POLYVINYL CHLORIDE	VF	VERIFY IN FIELD		
CT	CERAMIC TILE	INSUL	INSULATED	RCP	REFLECTED CEILING PLAN	VP	VISION PANEL		
DBL	DOUBLE	ILO	IN LIEU OF	RD	ROOF DRAIN	YP	TYPICAL		
DIA	DIAMETER	INSUL	INSULATED	REQD	REQUIRED	VIF	VERIFY IN FIELD		
DIMS	DIMENSIONS	INT	INTERIOR	REV	REVERSE	W/	WITH		

2
A001 Abbreviations

building number	northwest corner natural grade elevation	northeast corner natural grade elevation	southwest corner natural grade elevation	southeast corner natural grade elevation	upper level floor	height to building ridge	average building height (less than 35')
71R	8573.37	8573.37	8557.28	8558.86	8584.38	8598.44	32.325

1
A001 Height Restriction Chart

3	Issued for Construction	2018.03.13
2	Issued for Tender	2017.12.22
1	for coordination	2017.12.11
No.	Description	Date

Revision:

NOTES:
 COPYRIGHT RELATED TO THE USE OF THIS DRAWING:
 The use of this drawing shall be governed by standard copyright law as generally accepted in architectural practice.

ARCHITECT'S REQUIREMENTS AND APPROVALS:
 It is the Builder's responsibility to notify MackKay-Lyons Sweetapple Architects Ltd. and to seek prior written approval for materials and workmanship which deviates from instructions provided by the Architect.

ENGINEER'S REQUIREMENTS AND APPROVALS:
 It is the Builder's responsibility to notify MackKay-Lyons Sweetapple Architects Ltd. and to seek prior written approval for materials and workmanship which deviates from instructions provided by the Engineer.

AUTHORITIES' REQUIREMENTS AND APPROVALS:
 All materials and workmanship must comply with the requirements of all authorities having jurisdiction over the work. It is the Builder's responsibility to gain necessary approval from all relevant Authorities.

DIMENSIONS:
 All dimensions must be verified on site. Do not scale off drawings. Plans take precedent over elevations. In the absence of dimensions, or if discrepancies exist, consult Architect. All minimum dimensions are to comply with the International Residential Code.

SHOP DRAWINGS:
 Submit shop drawings to the Architect and Engineer for approval prior to manufacture of prefabricated elements of the building.

Abbreviations & Key Plan

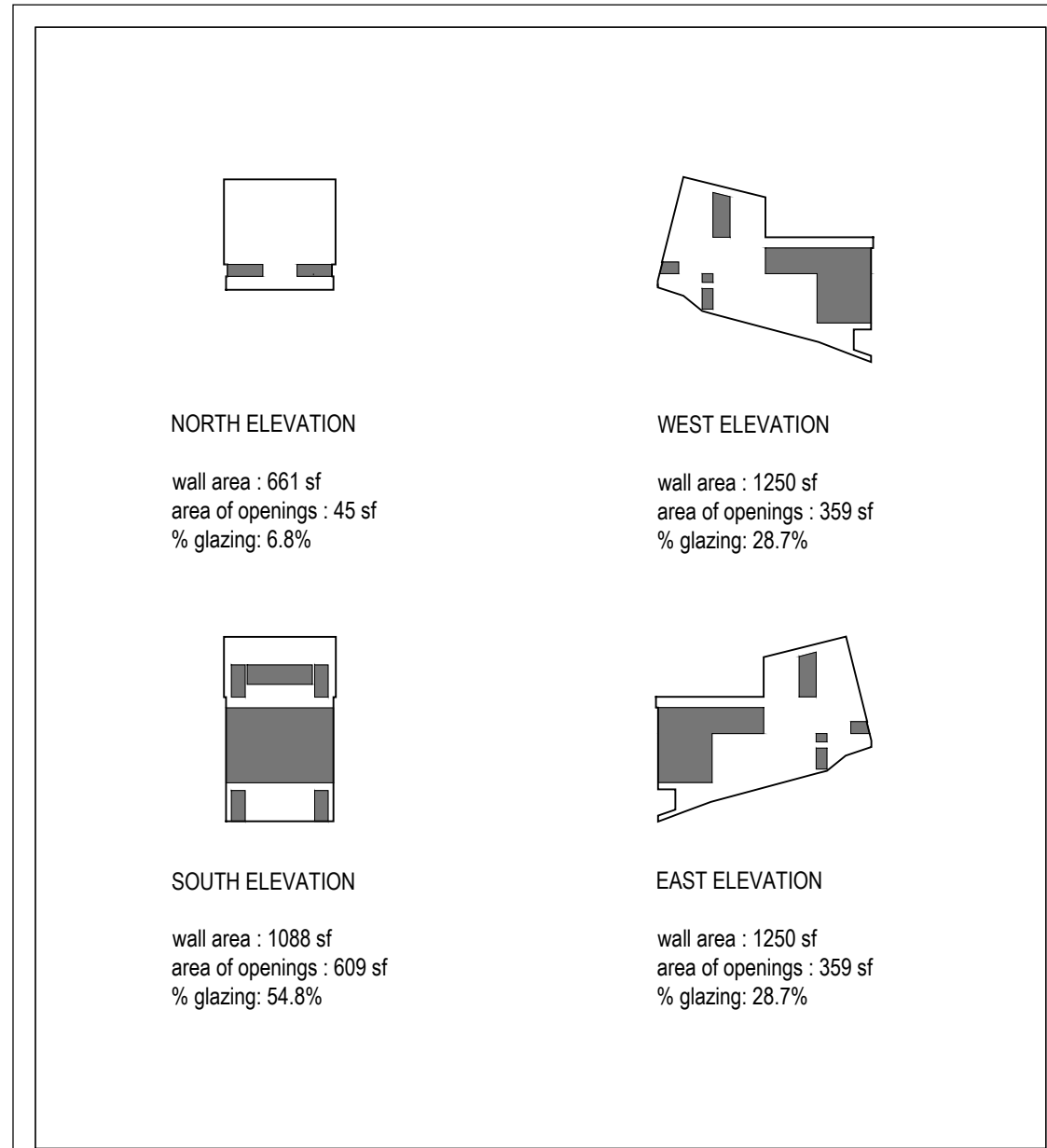
scale: as noted
 date: 17-11-23
 drawn: WPI/RD
 ch'k'd: BML

A002



Site Plan Notes:

- + Provide native revegetation seed for all disturbed areas
- + See Civil Engineering drawings for information relating but not limited to:
 - site location.
 - site boundaries.
 - rights-of-way, easements.
 - geodetic elevations, site grading, earthwork.
 - all underground and aboveground services including fire hydrants, maintenance access covers, transformers, air condensers.
 - paved areas such as driveways, curbs, curb cutouts.
- + See Structural Engineering drawings for reference to Geotechnical Report.
- + Refer to Structural Engineering drawings for Foundation Plan



2
A100 Percentage of Openings Elevation Diagrams

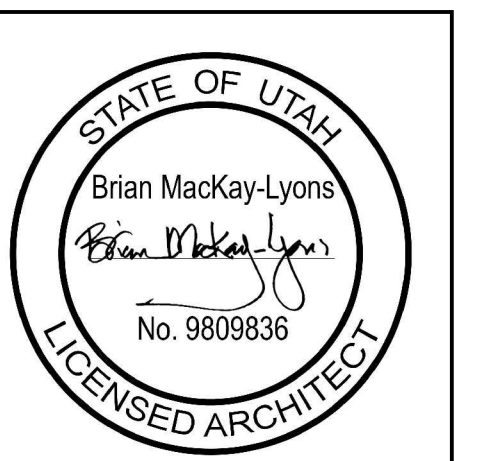
Lot 71R
Village House

Summit Power Mountain
Evan, Utah

MackKay-Lyons
Sweetapple
Architects
Limited

2188 Göttingen St.
Halifax, Nova Scotia
Canada B3K 3B4

ph: (902) 429-1867
fax: (902) 429-6276



Revision	Description	Date
3	Issued for Construction	2018.03.13
2	Issued for Tender	2017.12.22
1	for coordination	2017.12.1

NOTES:

COPYRIGHT RELATED TO THE USE OF THIS DRAWING:
The use of this drawing shall be governed by standard copyright law as generally accepted in architectural practice.

ARCHITECT'S REQUIREMENTS AND APPROVALS:
It is the Builder's responsibility to notify MackKay-Lyons Sweetapple Architects Ltd. and to seek prior written approval for materials and workmanship which deviates from instructions provided by the Architect.

ENGINEER'S REQUIREMENTS AND APPROVALS:
It is the Builder's responsibility to notify MackKay-Lyons Sweetapple Architects Ltd. and to seek prior written approval for materials and workmanship which deviates from instructions provided by the Engineer.

AUTHORITIES' REQUIREMENTS AND APPROVALS:
All materials and workmanship must comply with the requirements of all authorities having jurisdiction over the work. It is the Builder's responsibility to gain necessary approval from all relevant Authorities.

DIMENSIONS:
All dimensions must be verified on site. Do not scale off drawings. Plans take precedent over elevations. In the absence of dimensions, or if discrepancies exist, consult Architect. All minimum dimensions are to comply with the International Residential Code.

SHOP DRAWINGS:
Submit shop drawings to the Architect and Engineer for approval prior to manufacture of prefabricated elements of the building.

LEGEND

(X)	Window / Door Type
(X)	Partition Type
(□)	Roof Drain
CJ	Control Joint

SQUARE FOOTAGES

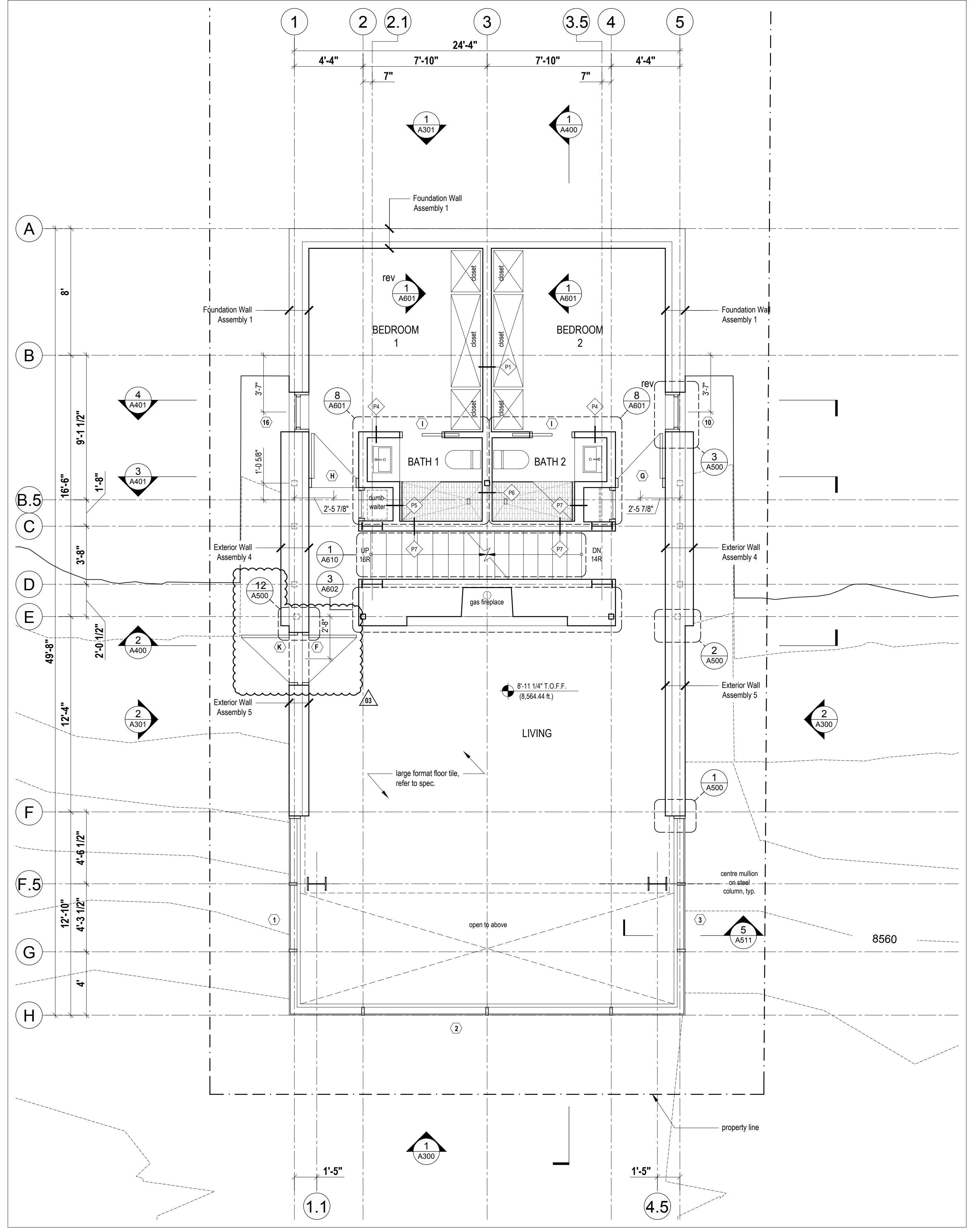
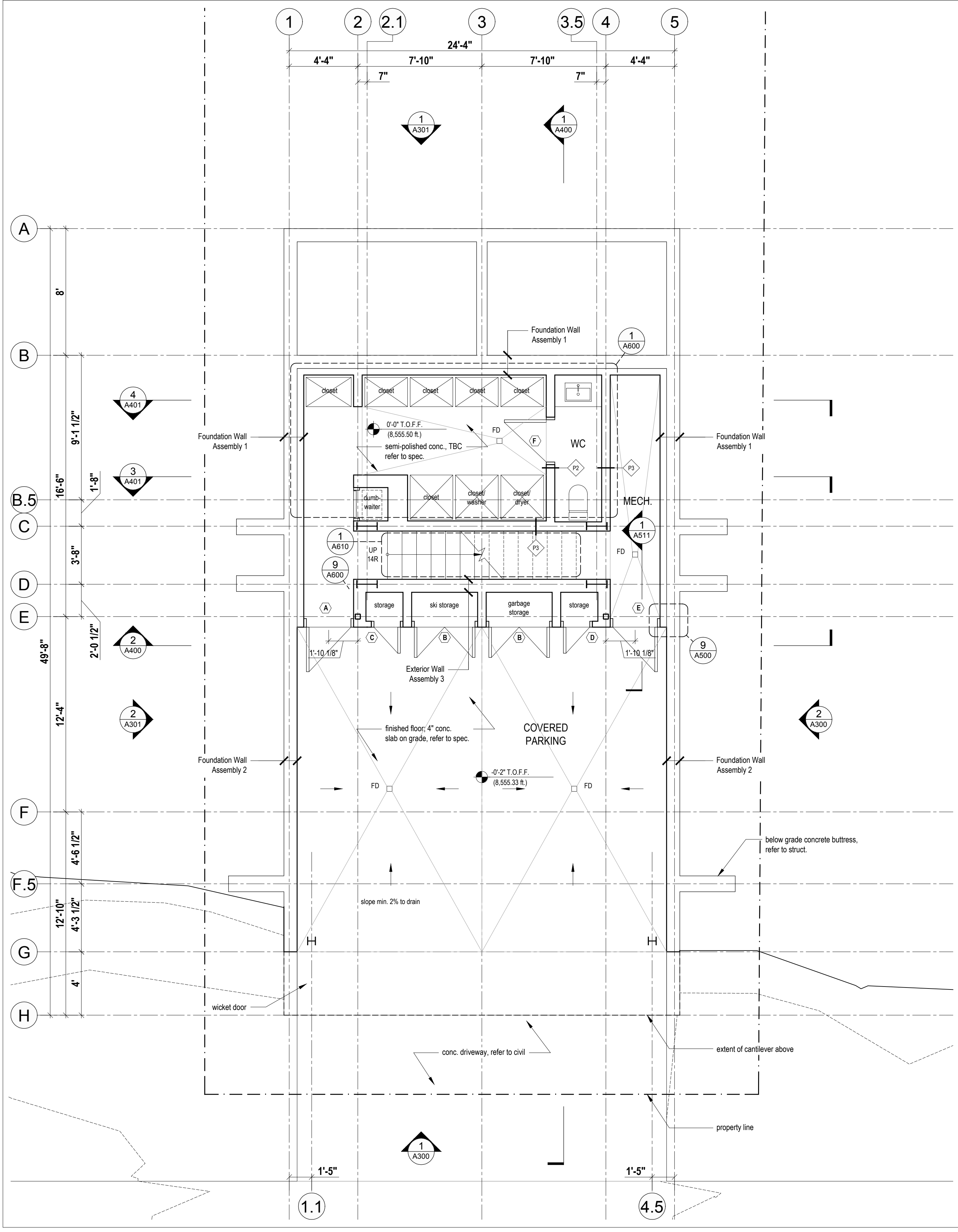
LIVABLE (ANSI Z765-2003)	
Ground Floor Plan	265 square feet
Second Floor Plan	1254 square feet
Third Floor Plan	1008 square feet
Fourth Floor Plan	535 square feet
Below Grade Livable Total:	1,519 square feet
Above Grade Livable Total:	1,543 square feet
Total:	3,062 square feet

Mechanical / Storage:	164 square feet
Viewing Deck:	662 square feet
Covered Parking:	512 square feet
GROSS (excluding exterior spaces):	3,329 square feet

NOTE: Finished square footage calculations were made based on plan dimensions only and may vary from the finished square footage of the house as built.

MECHANICAL AND PLUMBING NOTES:

- + All work shall be performed in accordance with 2015 International Residential Code, 2015 International Mechanical Code, 2015 International Plumbing Code, and 2015 International Energy Code, including state and local amendments, subject to authority having jurisdiction interpretation.
- + For plumbing fixtures that are located below the elevation level of the nearest upstream man hole cover, a backwater valve is required. Fixtures that are above the elevation level of the manhole cover shall not discharge through the backwater valve per IRC P3008.1.
- + Closely coordinate new mechanical and plumbing construction with all mechanical, electrical, architectural, and structural members. Provide alternate routing, offsets, and transitions as required for coordination of all work without additional cost.
- + Do not shut-off / put out any systems / services without first coordinating all downtime with the owner's personnel.
- + Submit all equipment, air devices, valves, fittings, pipe materials, insulation, and accessories to be used in this project. Submit electronic submittal to architect for review and approval. Do not place order until reviewed and approved.
- + Contractor shall provide 1 year standard warranty.
- + Install all equipment in accordance with manufacturer's installation instructions.
- + Project Elevation is 8,555.5 ft for equipment selection.
- + Provide all duct in accordance with SMACNA standards for 2" WC pressure class. Seal all transverse and longitudinal seams and joints except for welded or locking-type longitudinal joints.
- + Dryers located in closets shall be provided with make-up air, per IRC G2439.5
- + If a single duct will be used for combustion air, provide a minimum duct size of 1 sq. inch per 3000 Btu/hour input. The one opening must be in the top 12 inches of the room, per IRC G2407.6.2.



2 Ground Floor Plan
Scale 1/4" = 1'-0"

1 Second Floor Plan
Scale 1/4" = 1'-0"

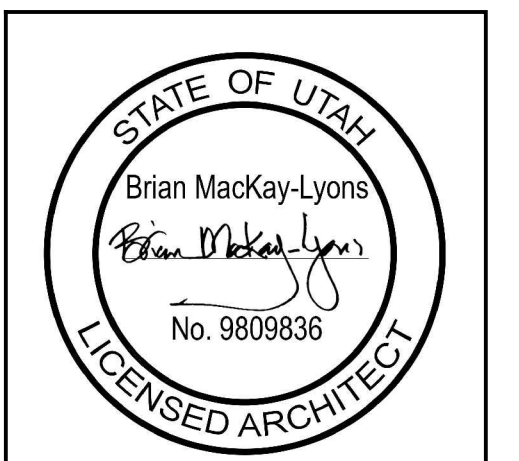
Lot 71R
Village House

Summit Power, Mountain
Elev. Utah

Mackay-Lyons
Sweetapple
Architects
Limited

2188 Göttingen St.
Halifax, Nova Scotia
Canada B3K 3B4

ph: (902) 429.1867
fax: (902) 429.6276



No.	Description	Date
3	Issued for construction	2018.03.13
2	Issued for Tender	2017.12.22
1	for coordination	2017.12.1

Revision:

NOTES:

COPYRIGHT RELATED TO THE USE OF THIS DRAWING:
The use of this drawing shall be governed by standard copyright law as generally accepted in architectural practice.

ARCHITECT'S REQUIREMENTS AND APPROVALS:
It is the Builder's responsibility to notify Mackay-Lyons Sweetapple Architects Ltd. and to seek prior written approval for materials and workmanship which deviates from instructions provided by the Architect.

ENGINEER'S REQUIREMENTS AND APPROVALS:
It is the Builder's responsibility to notify Mackay-Lyons Sweetapple Architects Ltd. and to seek prior written approval for materials and workmanship which deviates from instructions provided by the Engineer.

AUTHORITIES' REQUIREMENTS AND APPROVALS:
All materials and workmanship must comply with the requirements of all authorities having jurisdiction over the work. It is the Builder's responsibility to gain necessary approval from all relevant Authorities.

DIMENSIONS:
All dimensions must be verified on site. Do not scale off drawings. Plans take precedent over elevations. In the absence of dimensions, or if discrepancies exist, consult Architect. All minimum dimensions are to comply with the International Residential Code.

SHOP DRAWINGS:
Submit shop drawings to the Architect and Engineer for approval prior to manufacture of prefabricated elements of the building.

Ground & Second Floor Plans

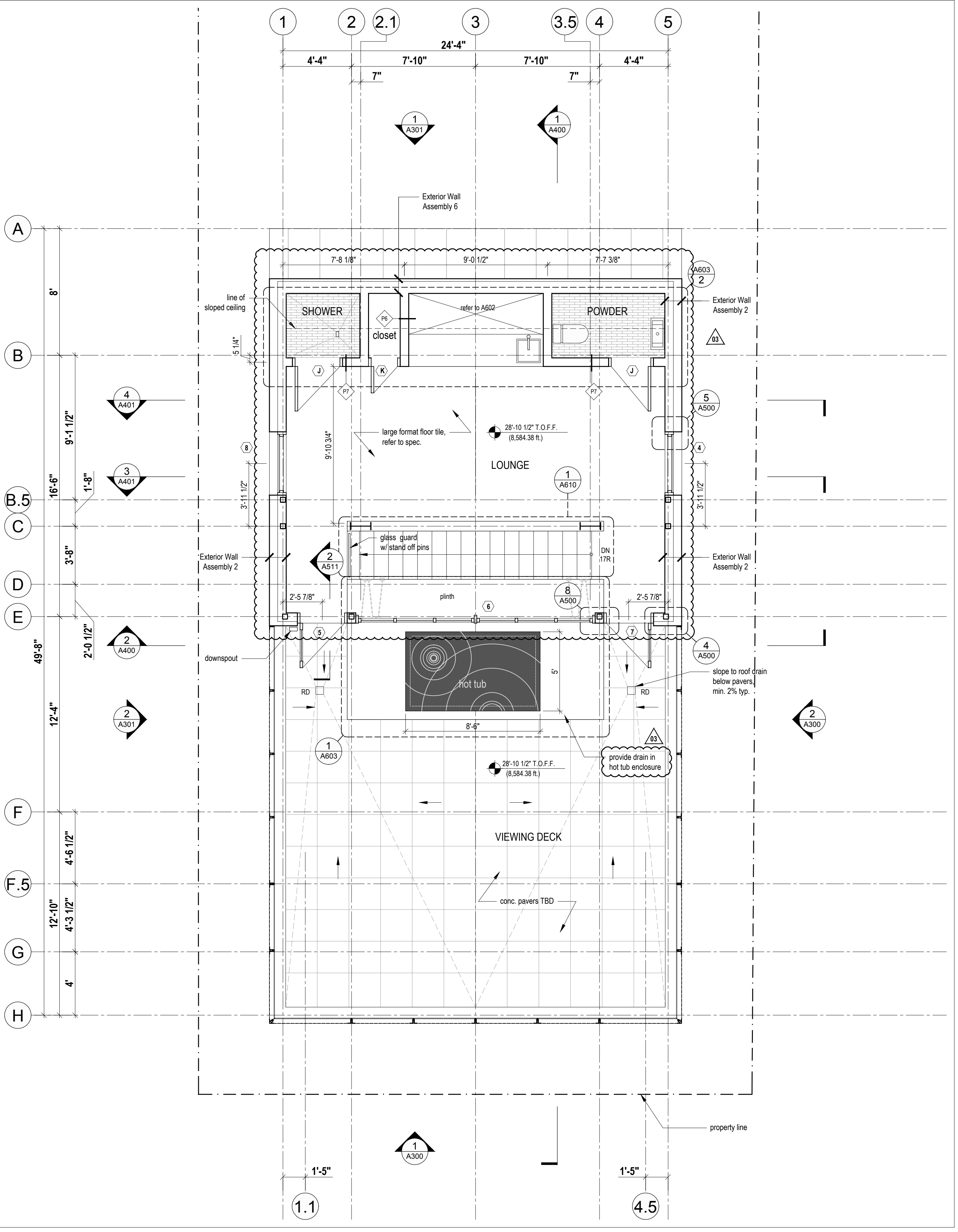
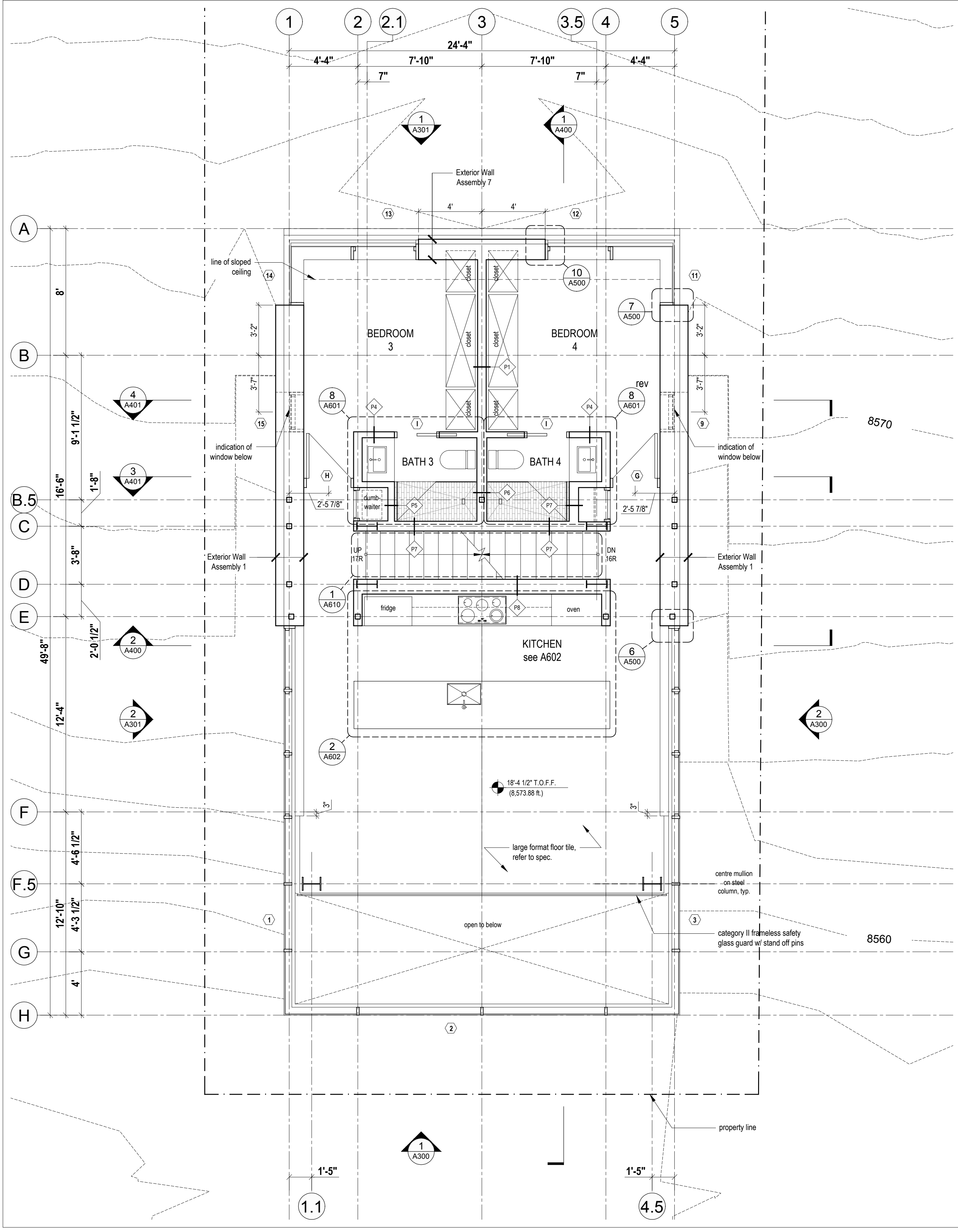
scale: 1/4" = 1'-0"
date: 17-11-23
drawn: WPIRD
chk'd: BML

A201

LEGEND		SQUARE FOOTAGES	
(X)	Window / Door Type	LIVABLE (ANSI Z765-2003)	
(PK)	Partition Type	Ground Floor Plan	265 square feet
(□)	Roof Drain	Second Floor Plan	1254 square feet
(CJ)	Control Joint	Third Floor Plan	1008 square feet
		Fourth Floor Plan	535 square feet
		Below Grade Livable Total:	1,519 square feet
		Above Grade Livable Total:	1,543 square feet
		Total:	3,062 square feet
		Mechanical / Storage:	164 square feet
		Viewing Deck:	662 square feet
		Covered Parking:	512 square feet
		GROSS (excluding exterior spaces):	3,329 square feet
		NOTE: Finished square footage calculations were made based on plan dimensions only and may vary from the finished square footage of the house as built.	

MECHANICAL AND PLUMBING NOTES:

- + All work shall be performed in accordance with 2015 International Residential Code, 2015 International Mechanical Code, 2015 International Plumbing Code, and 2015 International Energy Code, including state and local amendments, subject to authority having jurisdiction interpretation.
- + For plumbing fixtures that are located below the elevation level of the nearest upstream man hole cover, a backwater valve is required. Fixtures that are above the elevation level of the manhole cover shall not discharge through the backwater valve per IRC P3008.1.
- + Closely coordinate new mechanical and plumbing construction with all mechanical, electrical, architectural, and structural members. Provide alternate routing, offsets, and transitions as required for coordination of all work without additional cost.
- + Do not shut-off / put out any systems / services without first coordinating all downtime with the owner's personnel.
- + Submit all equipment, air devices, valves, fittings, pipe materials, insulation, and accessories to be used in this project. Submit electronic submittal to architect for review and approval. Do not place order until reviewed and approved.
- + Contractor shall provide 1 year standard warranty.
- + Install all equipment in accordance with manufacturer's installation instructions.
- + Project Elevation is 8,555.5 ft for equipment selection.
- + Provide all duct in accordance with SMACNA standards for 2" WC pressure class. Seal all transverse and longitudinal seams and joints except for welded or locking-type longitudinal joints.
- + Dryers located in closets shall be provided with make-up air, per IRC G2439.5
- + If a single duct will be used for combustion air, provide a minimum duct size of 1 sq. inch per 3000 Btu/hour input. The one opening must be in the top 12 inches of the room, per IRC G2407.6.2.



2 Third Floor Plan
Scale 1/4" = 1'-0"

1 Fourth Floor Plan
Scale 1/4" = 1'-0"

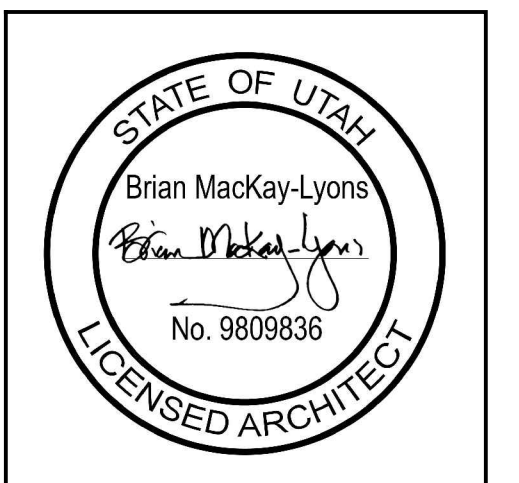
Lot 71R
Village House

Summit Power, Mountain
Econ. Utah

Mackay-Lyons
Sweetapple
Architects
Limited

2188 Göttingen St.
Halifax, Nova Scotia
Canada B3K 3B4

ph: (902) 429.1867
fax: (902) 429.6276



No.	Description	Date
3	Issued for construction	2018.03.13
2	Issued for Tender	2017.12.22
1	for coordination	2017.12.1

NOTES:

COPYRIGHT RELATED TO THE USE OF THIS DRAWING:
The use of this drawing shall be governed by standard copyright law as generally accepted in architectural practice.

ARCHITECT'S REQUIREMENTS AND APPROVALS:
It is the Builder's responsibility to notify Mackay-Lyons Sweetapple Architects Ltd. and to seek prior written approval for materials and workmanship which deviates from instructions provided by the Architect.

ENGINEER'S REQUIREMENTS AND APPROVALS:
It is the Builder's responsibility to notify Mackay-Lyons Sweetapple Architects Ltd. and to seek prior written approval for materials and workmanship which deviates from instructions provided by the Engineer.

AUTHORITIES' REQUIREMENTS AND APPROVALS:
All materials and workmanship must comply with the requirements of all authorities having jurisdiction over the work. It is the Builder's responsibility to gain necessary approval from all relevant Authorities.

DIMENSIONS:
All dimensions must be verified on site. Do not scale off drawings. Plans take precedent over elevations. In the absence of dimensions, or if discrepancies exist, consult Architect. All minimum dimensions are to comply with the International Residential Code.

SHOP DRAWINGS:
Submit shop drawings to the Architect and Engineer for approval prior to manufacture of prefabricated elements of the building.

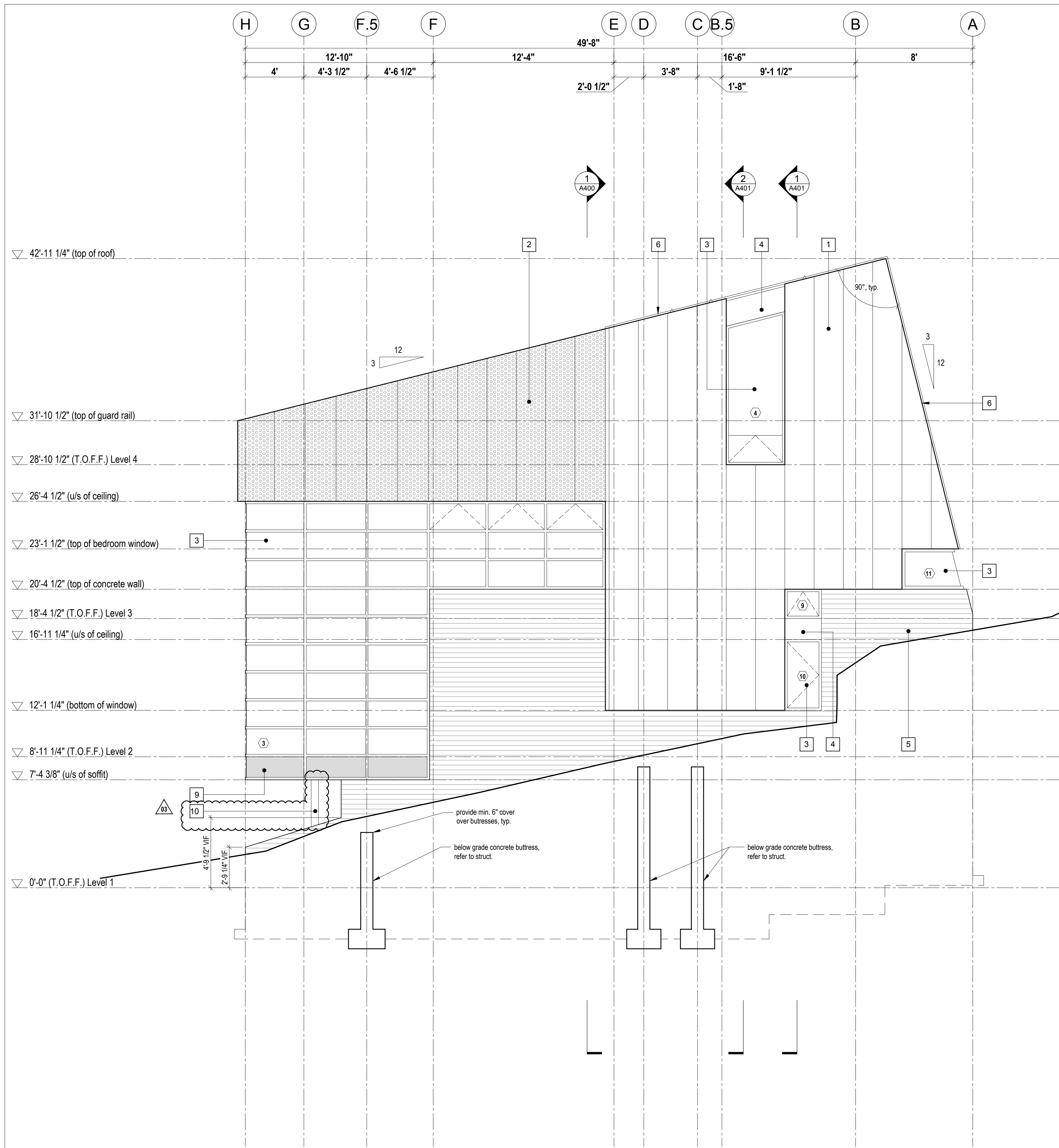
Third & Fourth
Floor Plans

scale: 1/4" = 1'-0"
date: 17-11-23
drawn: WPIRD
chk'd: BML

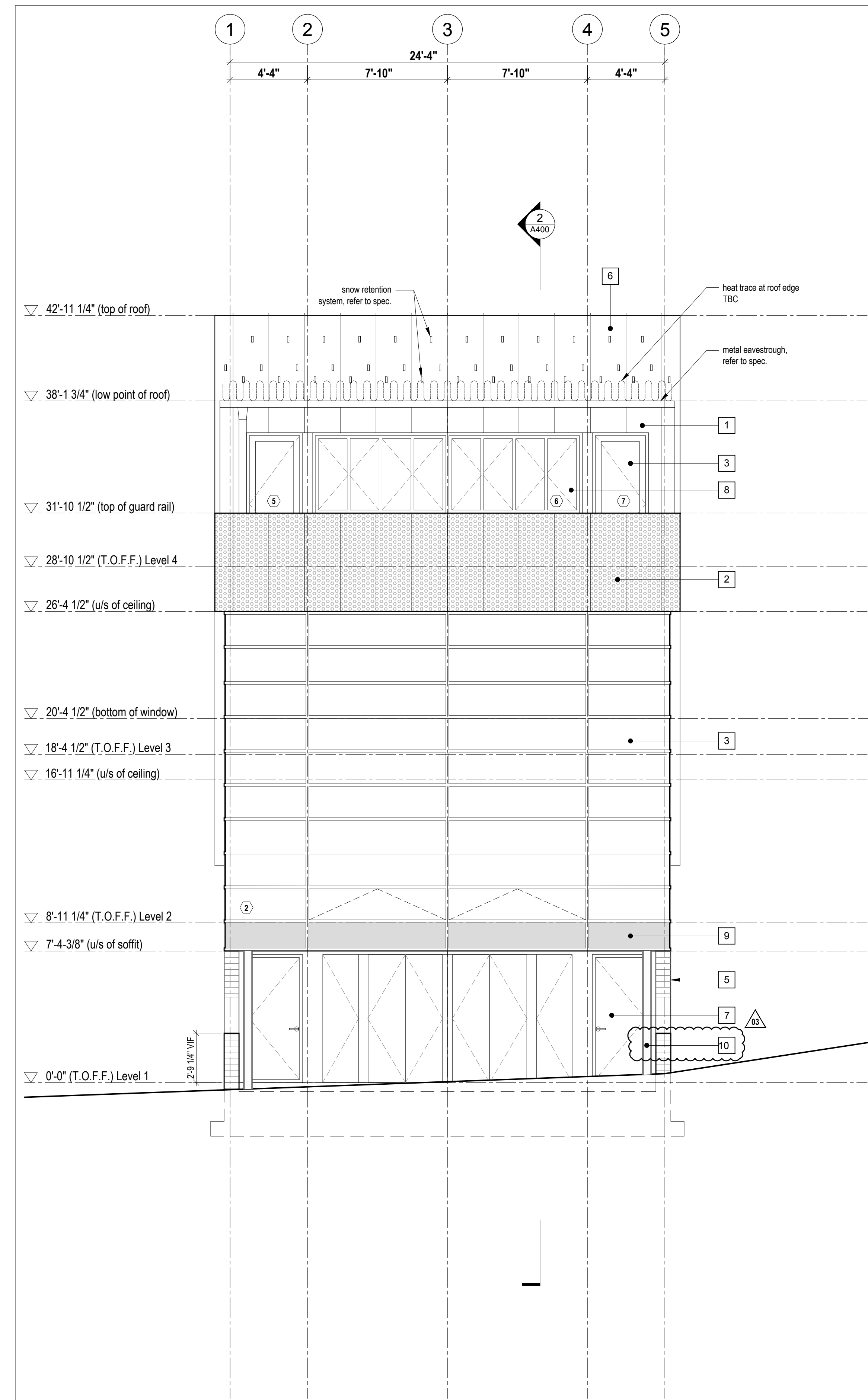
A202

LEGEND

- 1 flat seam zinc panel
- 2 perforated zinc panel
- 3 curtain wall system
- 4 metal panel to match curtain wall
- 5 boardform concrete wall
- 6 standing seam zinc
- 7 garage door TBD
- 8 "Nana Wall" Window System, refer to spec
- 9 Glazed Spandrel Panel
- 10 Galvanized steel column, as per structural
- 11 Galvanized steel storm door, refer to door schedule



2 East Elevation
Scale 1/4" = 1'-0"

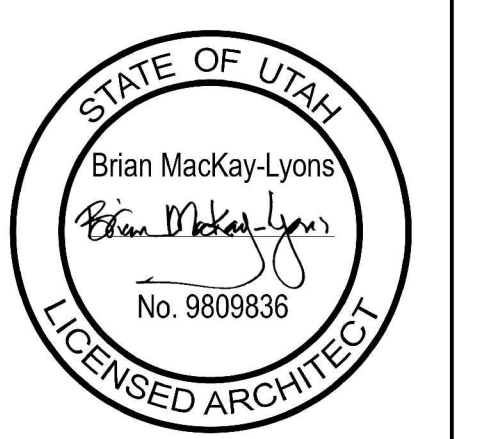


1 South Elevation
Scale 1/4" = 1'-0"

Mackay-Lyons
Sweetapple
Architects
Limited

2188 Göttingen St.
Halifax, Nova Scotia
Canada B3K 3B4

ph: (902) 429.1867
fax: (902) 429.6276



No.	Description	Date
3	Issued for Construction	2018.03.13
2	Issued for Tender	2017.12.22
1	for coordination	2017.12.1

NOTES:

COPYRIGHT RELATED TO THE USE OF THIS DRAWING:
The use of this drawing shall be governed by standard copyright law as generally accepted in architectural practice.

ARCHITECT'S REQUIREMENTS AND APPROVALS:
It is the Builder's responsibility to notify Mackay-Lyons Sweetapple Architects Ltd. and to seek prior written approval for materials and workmanship which deviates from instructions provided by the Architect.

ENGINEER'S REQUIREMENTS AND APPROVALS:
It is the Builder's responsibility to notify Mackay-Lyons Sweetapple Architects Ltd. and to seek prior written approval for materials and workmanship which deviates from instructions provided by the Engineer.

AUTHORITIES' REQUIREMENTS AND APPROVALS:
All materials and workmanship must comply with the requirements of all authorities having jurisdiction over the work. It is the Builder's responsibility to gain necessary approval from all relevant Authorities.

DIMENSIONS:
All dimensions must be verified on site. Do not scale off drawings. Plans take precedent over elevations. In the absence of dimensions, or if discrepancies exist, consult Architect. All minimum dimensions are to comply with the International Residential Code.

SHOP DRAWINGS:
Submit shop drawings to the Architect and Engineer for approval prior to manufacture of prefabricated elements of the building.

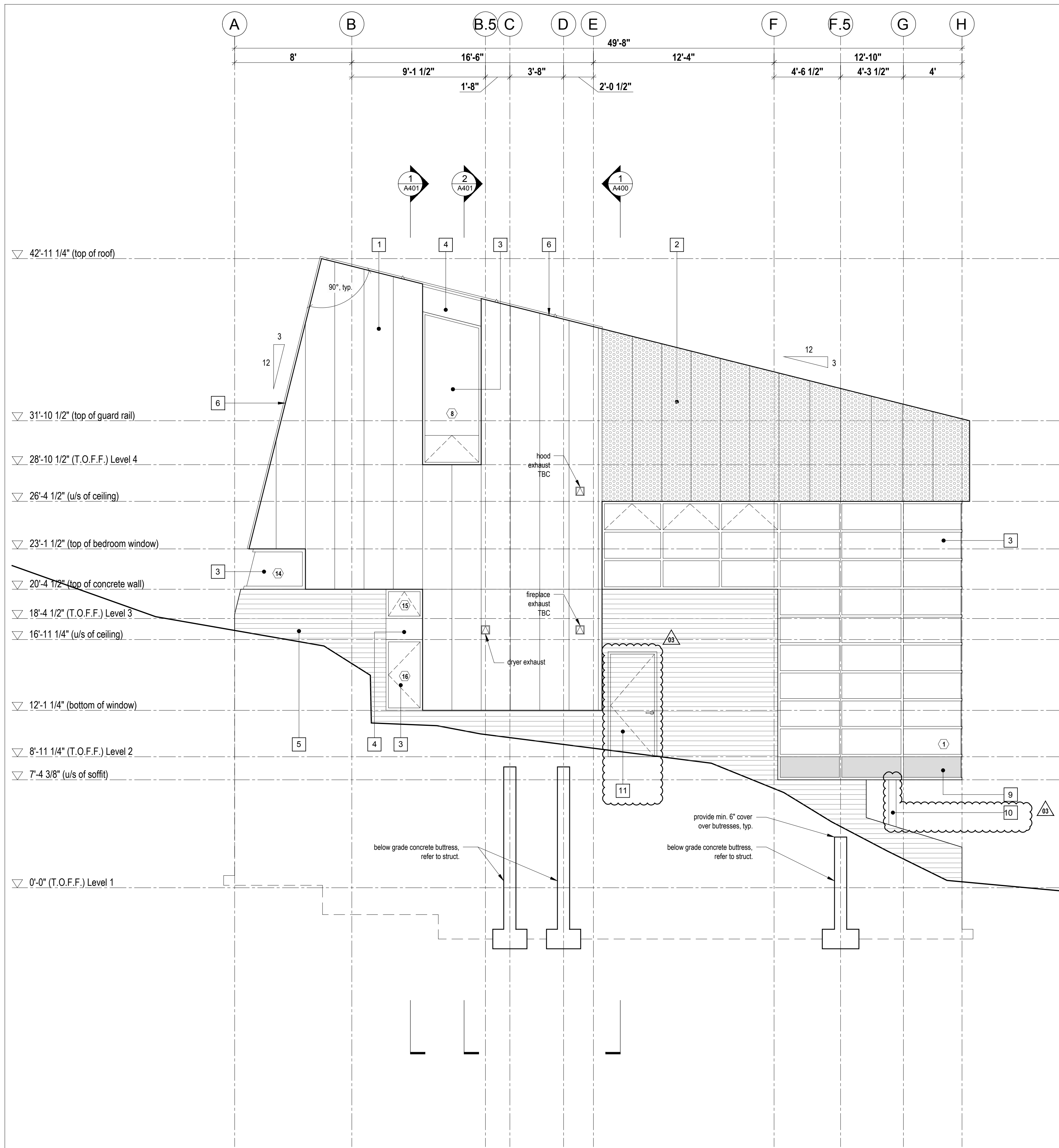
Exterior
Elevations

scale: 1/4" = 1'-0"
date: 17-11-23
drawn: WPIRD
chk'd: BML

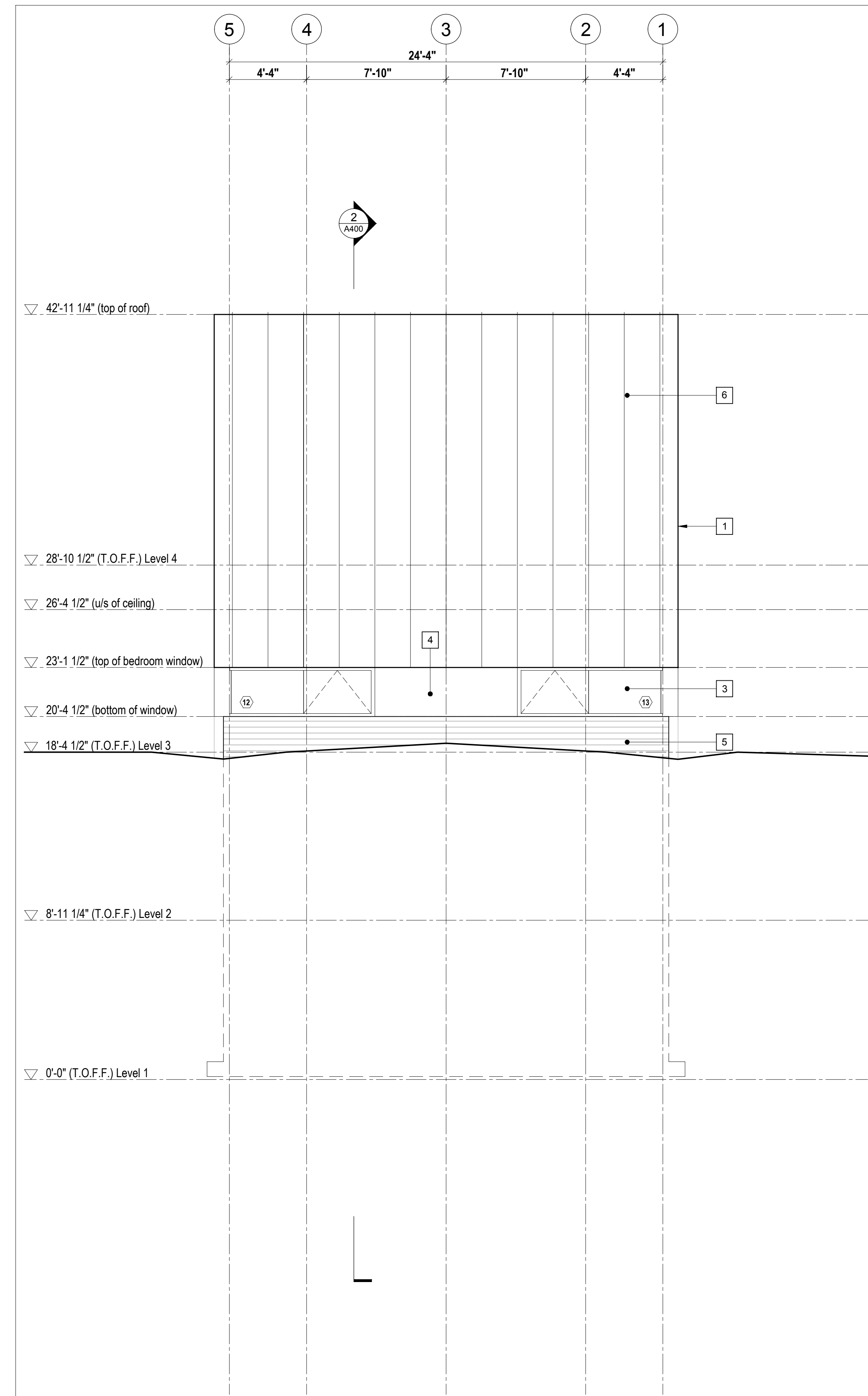
A300

LEGEND

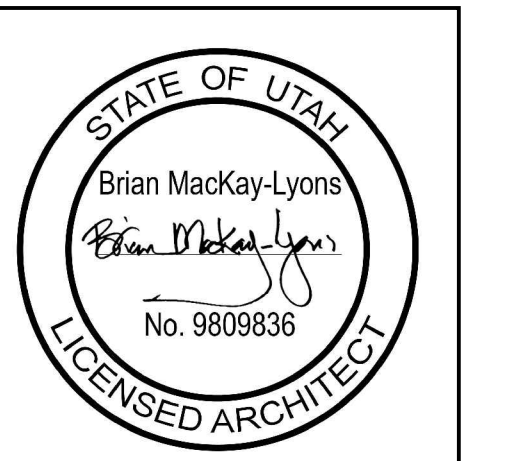
- | | | | |
|-------------------------|-------------------------------------|--|--|
| 1 flat seam zinc panel | 4 metal panel to match curtain wall | 7 garage door TBD | 10 Galvanized steel column, as per structural |
| 2 perforated zinc panel | 5 boardform concrete wall | 8 "Nana Wall" Window System, refer to spec | 11 Galvanized steel storm door, refer to door schedule |
| 3 curtain wall system | 6 standing seam zinc | 9 Glazed Spandrel Panel | |



2 West Elevation
Scale 1/4" = 1'-0"



1 North Elevation
Scale 1/4" = 1'-0"



No.	Description	Date
3	Issued for Construction	2018.03.13
2	Issued for Tender	2017.12.22
1	for coordination	2017.12.1

NOTES:

COPYRIGHT RELATED TO THE USE OF THIS DRAWING:
The use of this drawing shall be governed by standard copyright law as generally accepted in architectural practice.

ARCHITECT'S REQUIREMENTS AND APPROVALS:
It is the Builder's responsibility to notify Mackay-Lyons Sweetapple Architects Ltd. and to seek prior written approval for materials and workmanship which deviates from instructions provided by the Architect.

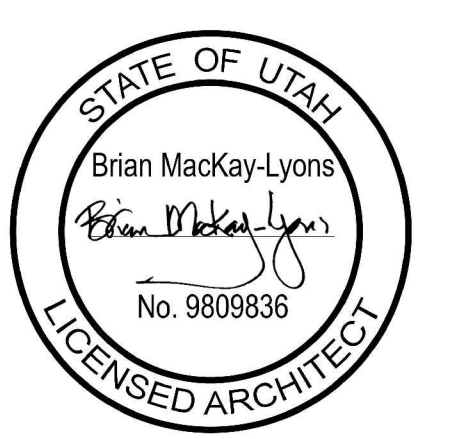
ENGINEER'S REQUIREMENTS AND APPROVALS:
It is the Builder's responsibility to notify Mackay-Lyons Sweetapple Architects Ltd. and to seek prior written approval for materials and workmanship which deviates from instructions provided by the Engineer.

AUTHORITIES' REQUIREMENTS AND APPROVALS:
All materials and workmanship must comply with the requirements of all authorities having jurisdiction over the work. It is the Builder's responsibility to gain necessary approval from all relevant Authorities.

DIMENSIONS:
All dimensions must be verified on site. Do not scale off drawings. Plans take precedent over elevations. In the absence of dimensions, or if discrepancies exist, consult Architect. All minimum dimensions are to comply with the International Residential Code.

SHOP DRAWINGS:
Submit shop drawings to the Architect and Engineer for approval prior to manufacture of prefabricated elements of the building.

Mackay-Lyons
Sweetapple
Architects
Limited
2188 Göttingen St.
Halifax, Nova Scotia
Canada B3K 3B4
ph: (902) 429.1867
fax: (902) 429.6276



No.	Description	Date
3	Issued for Construction	2018.03.13
2	Issued for Tender	2017.12.22
1	for coordination	2017.12.1

Revision:

NOTES:

COPYRIGHT RELATED TO THE USE OF THIS DRAWING:
The use of this drawing shall be governed by standard copyright law as generally accepted in architectural practice.

ARCHITECT'S REQUIREMENTS AND APPROVALS:
It is the Builder's responsibility to notify Mackay-Lyons Sweetapple Architects Ltd. and to seek prior written approval for materials and workmanship which deviates from instructions provided by the Architect.

ENGINEER'S REQUIREMENTS AND APPROVALS:
It is the Builder's responsibility to notify Mackay-Lyons Sweetapple Architects Ltd. and to seek prior written approval for materials and workmanship which deviates from instructions provided by the Engineer.

AUTHORITIES' REQUIREMENTS AND APPROVALS:
All materials and workmanship must comply with the requirements of all authorities having jurisdiction over the work. It is the Builder's responsibility to gain necessary approval from all relevant Authorities.

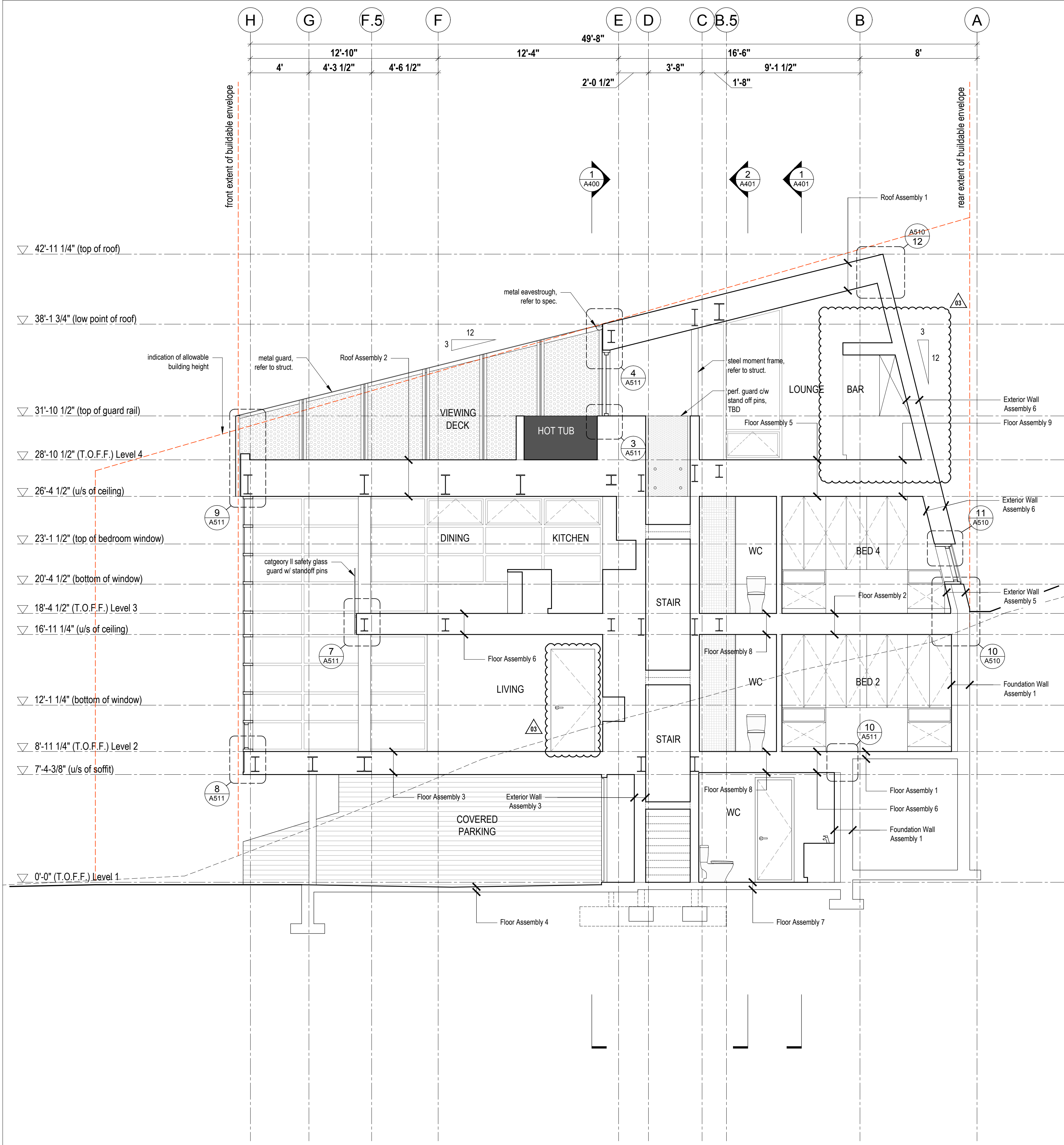
DIMENSIONS:
All dimensions must be verified on site. Do not scale off drawings. Plans take precedent over elevations. In the absence of dimensions, or if discrepancies exist, consult Architect. All minimum dimensions are to comply with the International Residential Code.

SHOP DRAWINGS:
Submit shop drawings to the Architect and Engineer for approval prior to manufacture of prefabricated elements of the building.

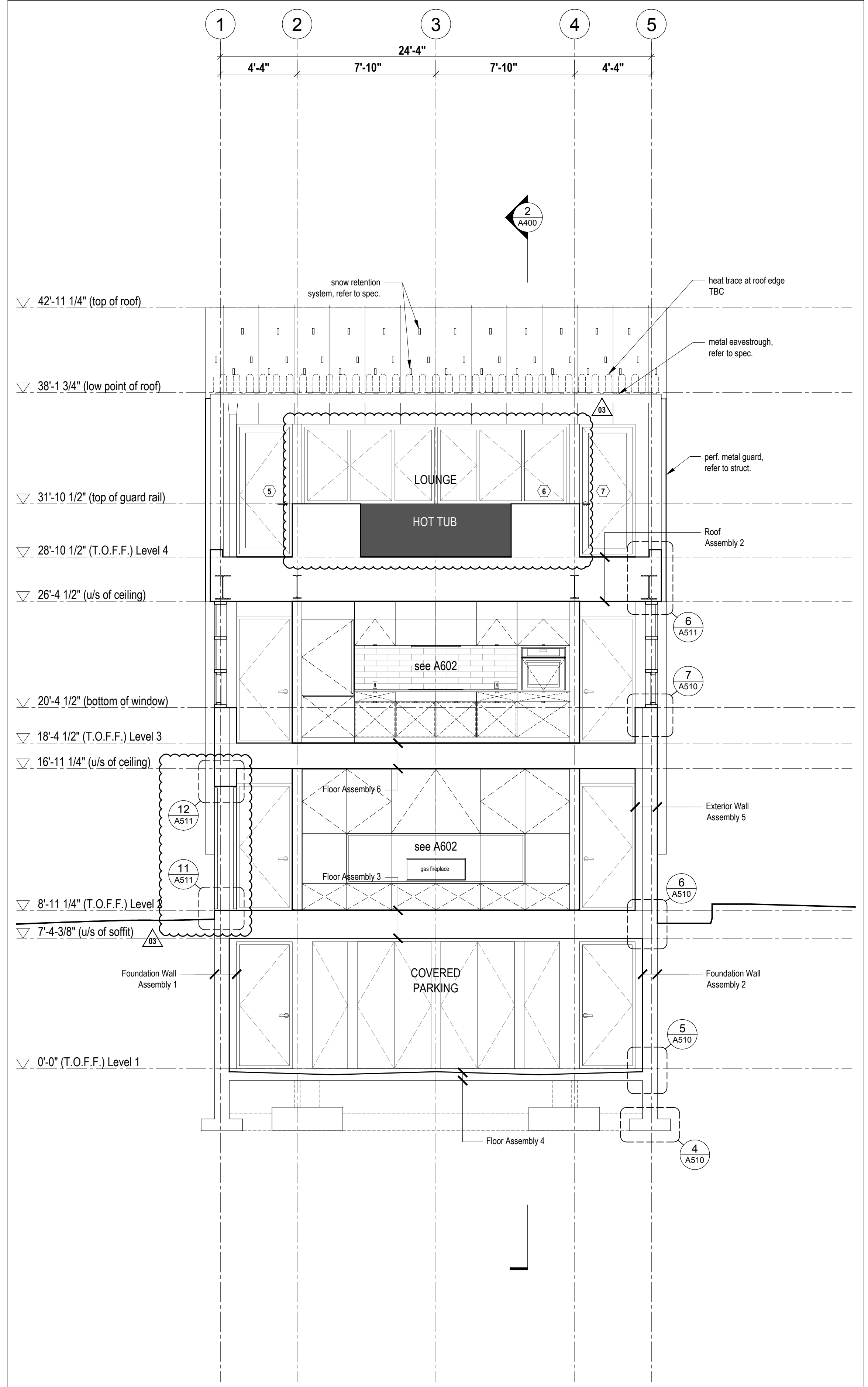
Building Sections

scale: 1/4" = 1'-0"
date: 17-11-23
drawn: WPIRD
chk'd: BML

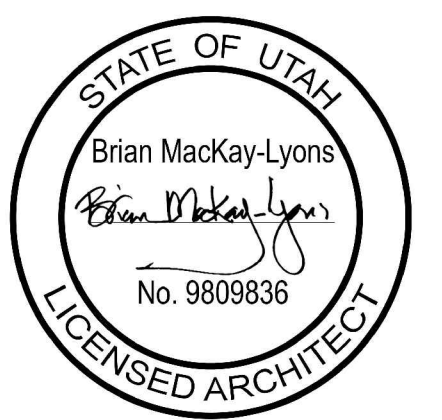
A400



2 Longitudinal Section
Scale 1/4" = 1'-0"



1 Cross Section
Scale 1/4" = 1'-0"



No.	Description	Date
3	Issued for Construction	2018.03.13
2	Issued for Tender	2017.12.22
1	for coordination	2017.12.1
	Revision:	

NOTES:

COPYRIGHT RELATED TO THE USE OF THIS DRAWING:
The use of this drawing shall be governed by standard copyright law as generally accepted in architectural practice.

ARCHITECT'S REQUIREMENTS AND APPROVALS:
It is the Builder's responsibility to notify Mackay-Lyons Sweetapple Architects Ltd. and to seek prior written approval for materials and workmanship which deviates from instructions provided by the Architect.

ENGINEER'S REQUIREMENTS AND APPROVALS:
It is the Builder's responsibility to notify Mackay-Lyons Sweetapple Architects Ltd. and to seek prior written approval for materials and workmanship which deviates from instructions provided by the Engineer.

AUTHORITIES' REQUIREMENTS AND APPROVALS:
All materials and workmanship must comply with the requirements of all authorities having jurisdiction over the work. It is the Builder's responsibility to gain necessary approval from all relevant Authorities.

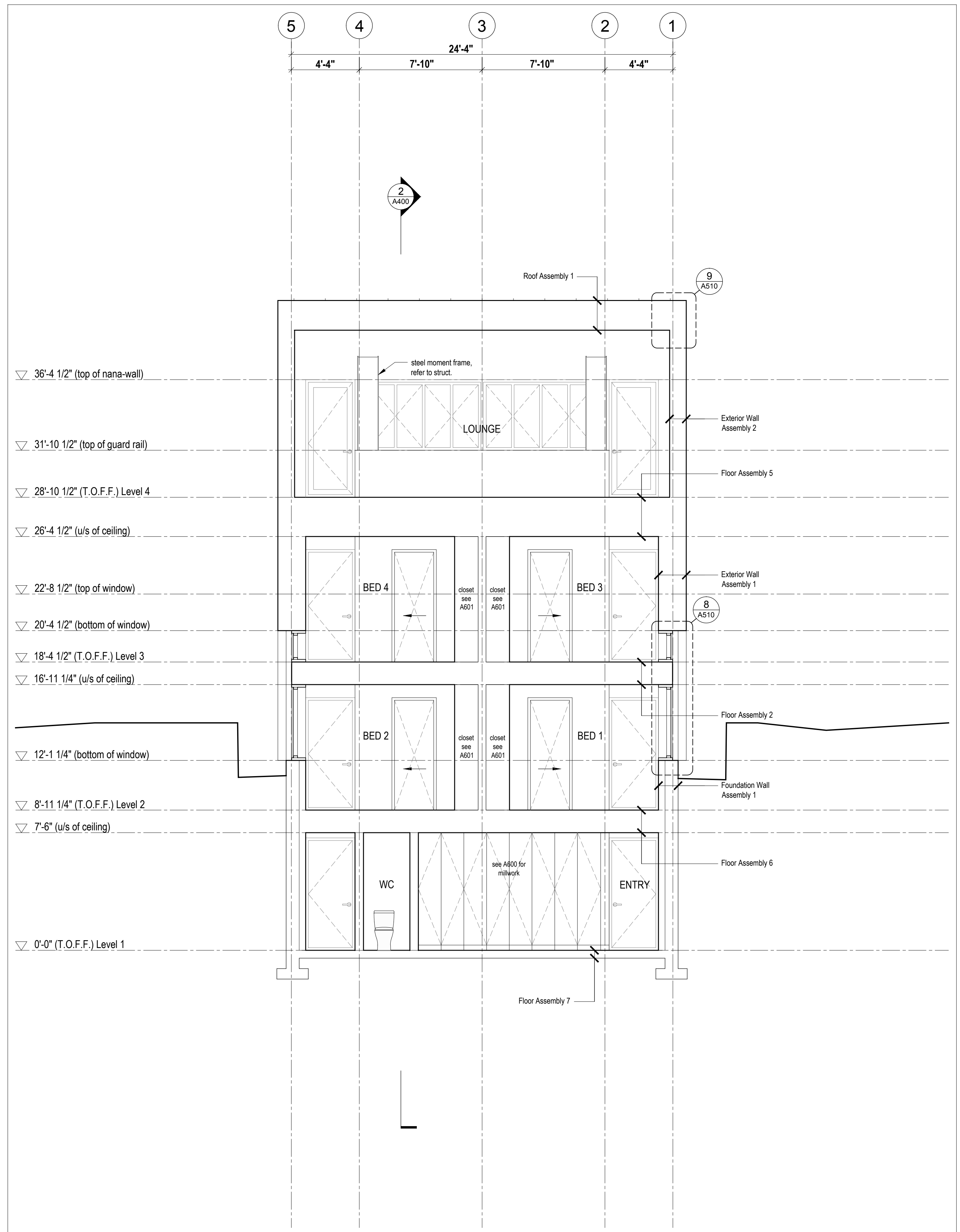
DIMENSIONS:
All dimensions must be verified on site. Do not scale off drawings. Plans take precedent over elevations. In the absence of dimensions, or if discrepancies exist, consult Architect. All minimum dimensions are to comply with the International Residential Code.

SHOP DRAWINGS:
Submit shop drawings to the Architect and Engineer for approval prior to manufacture of prefabricated elements of the building.

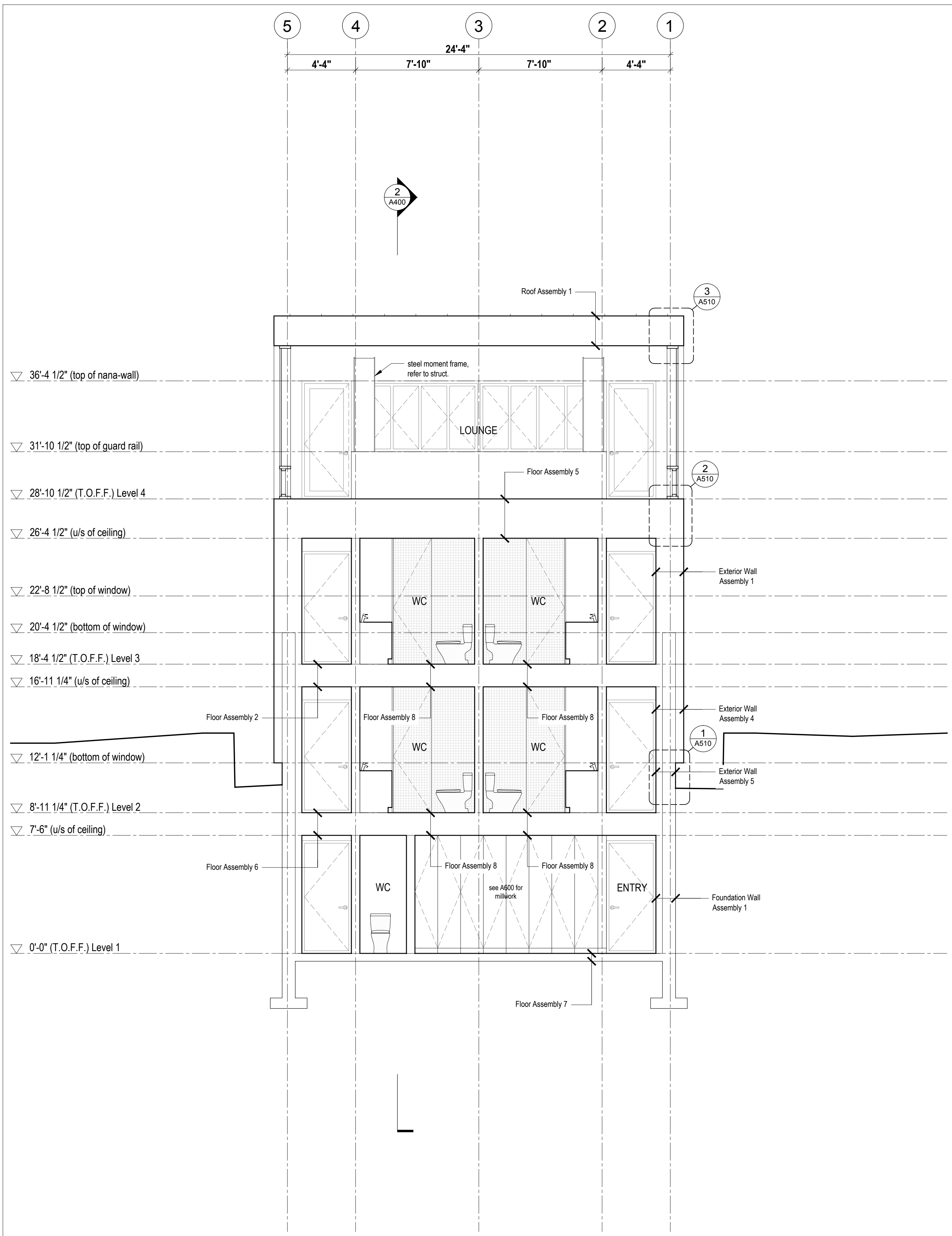
Building Sections

scale: 1/4" = 1'-0"
date: 17-11-23
drawn: WPIRD
chk'd: BML

A401



1 Cross Section
Scale 1/4" = 1'-0"

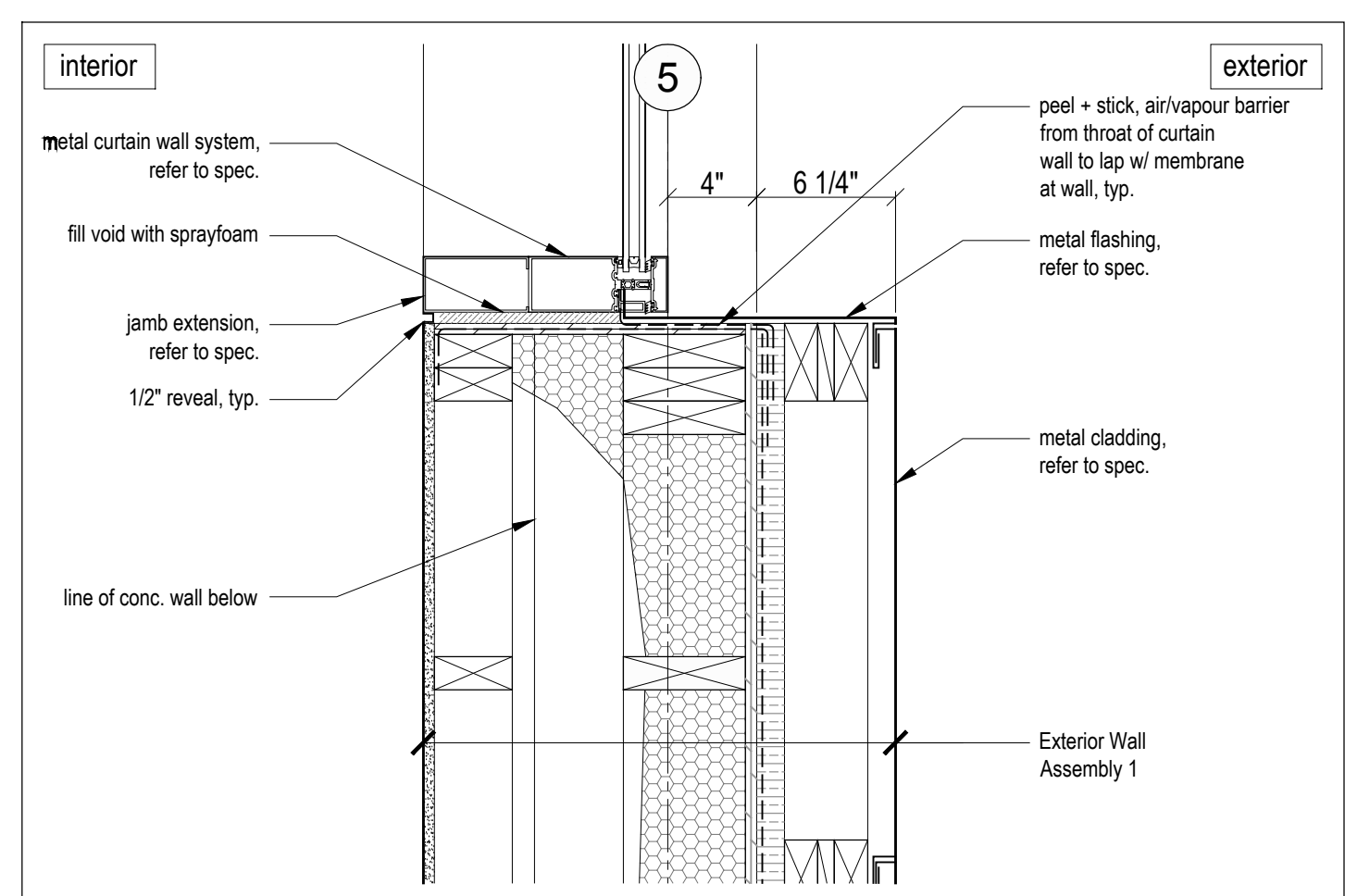
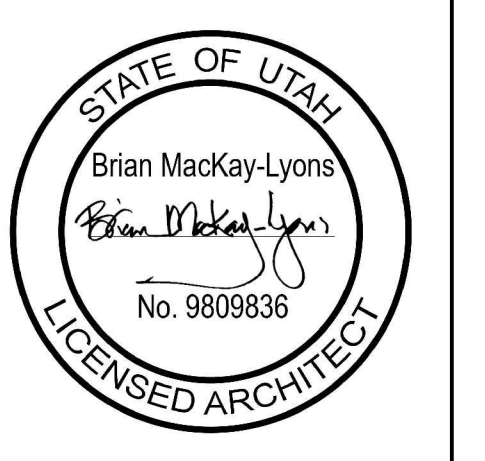


2 Cross Section
Scale 1/4" = 1'-0"

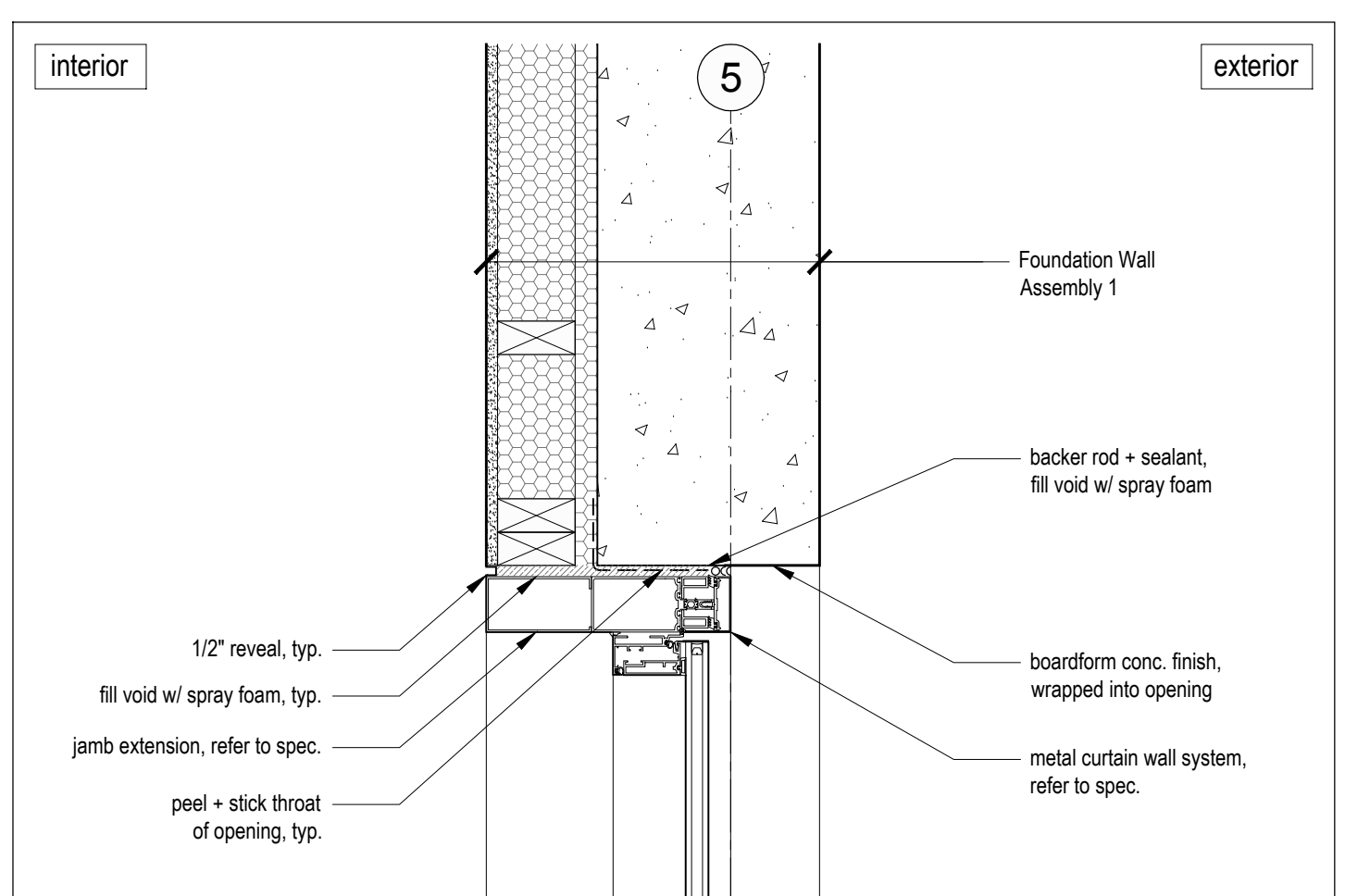
Mackay-Lyons
Sweetapple
Architects
Limited

2188 Göttingen St.
Halifax, Nova Scotia
Canada B3K 3B4

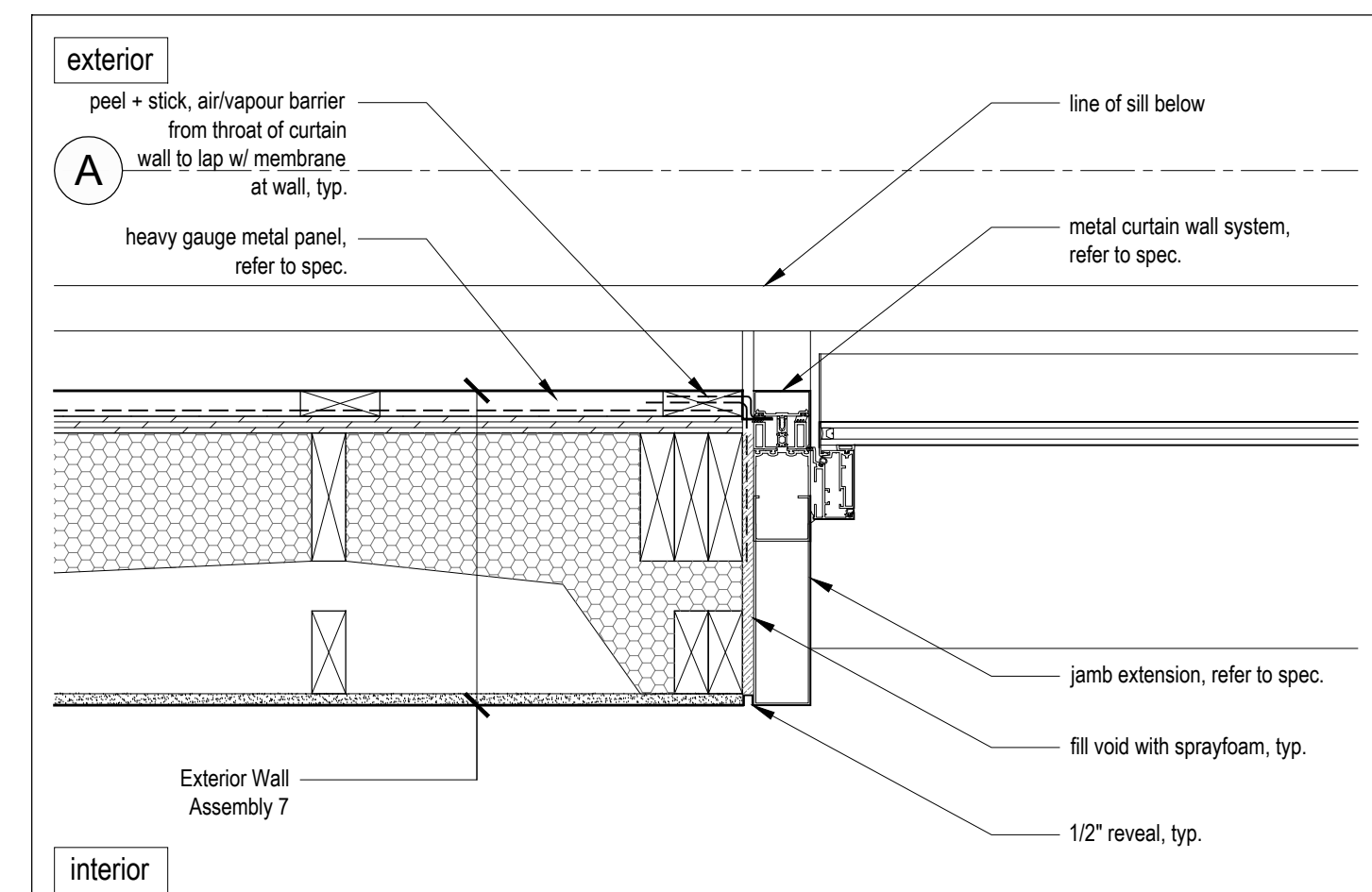
ph: (902) 429.1867
fax: (902) 429.6276



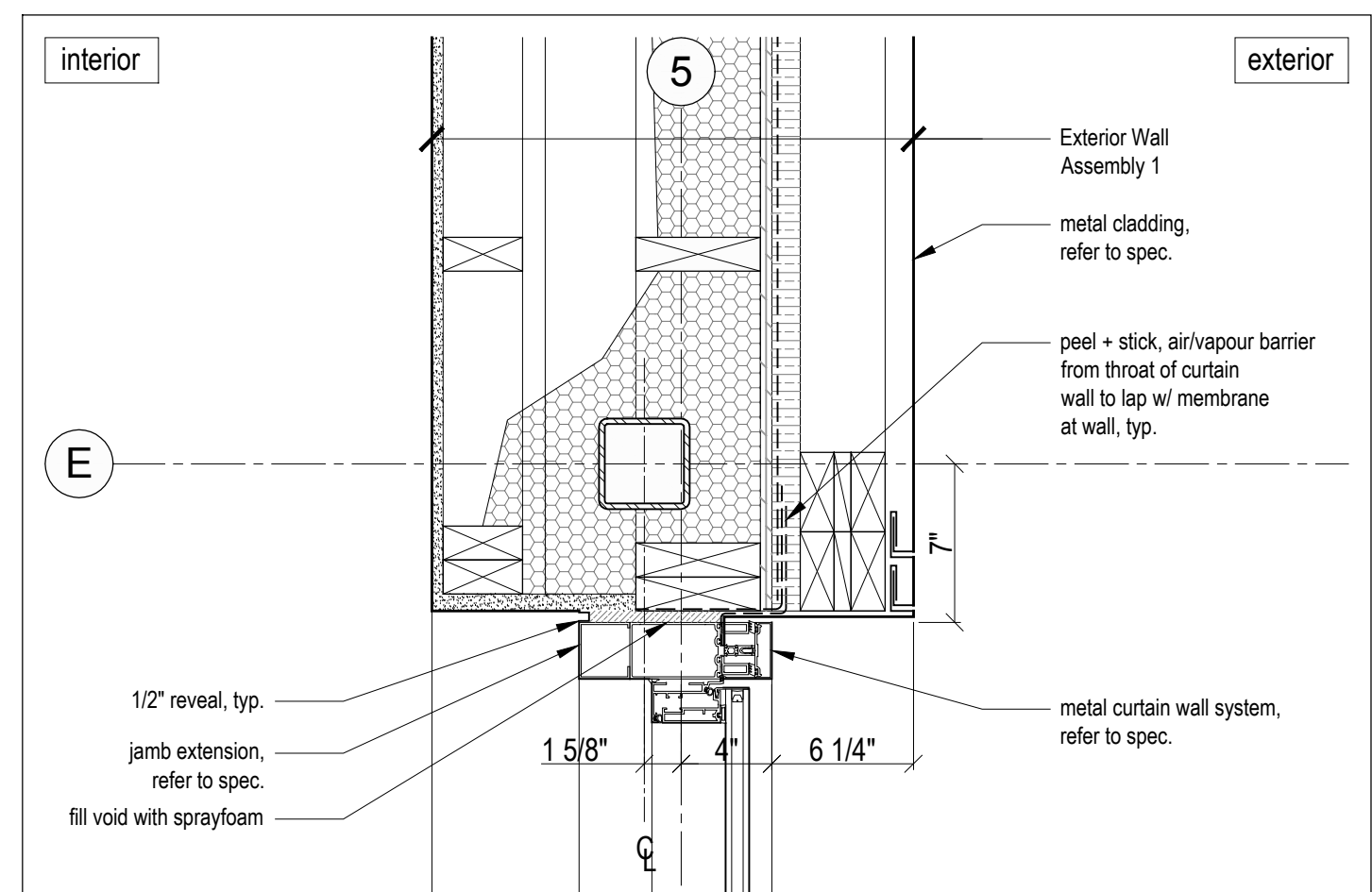
7 Window Jamb at Bedroom Window
Scale 1 1/2" = 1'-0"



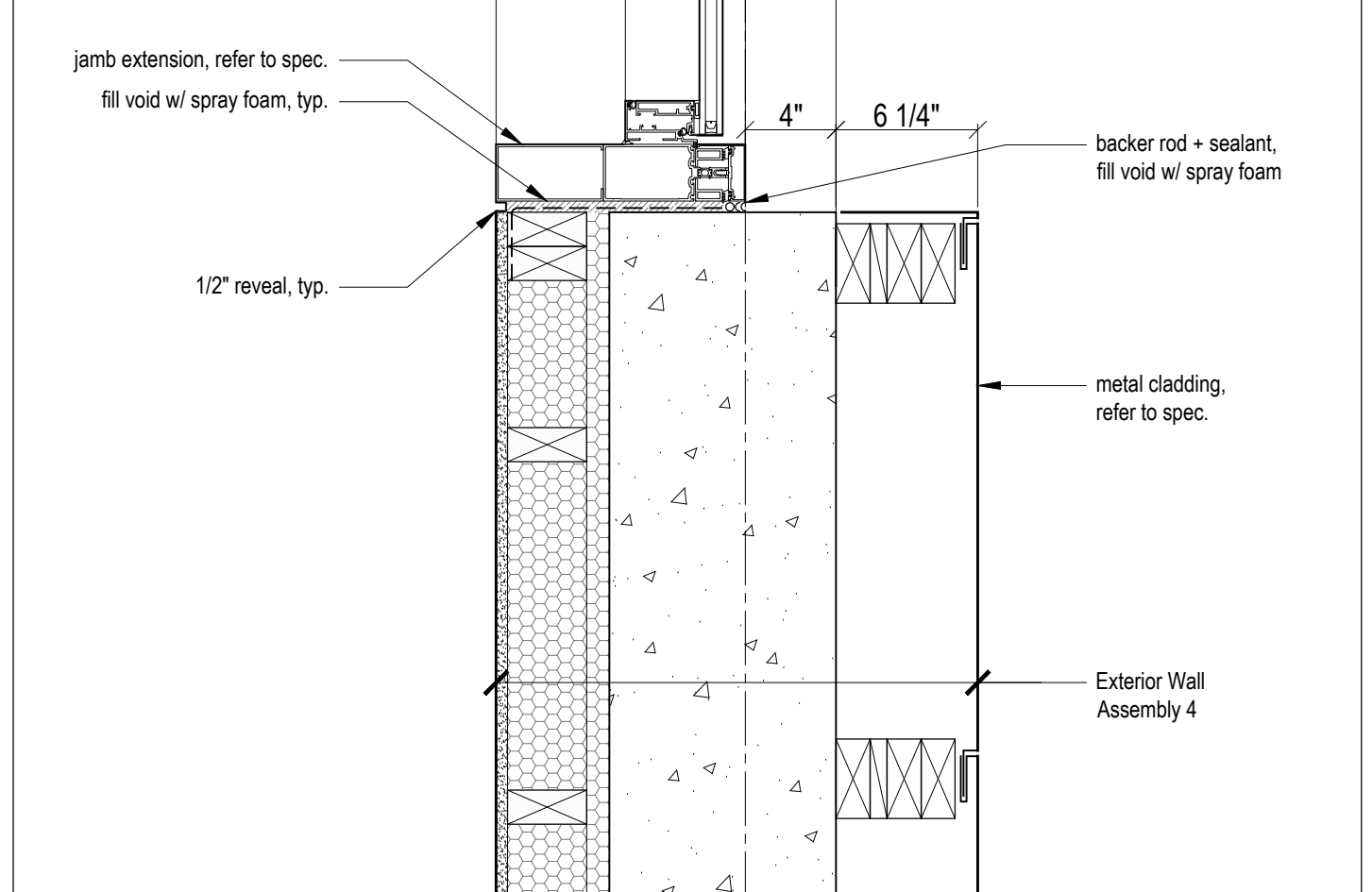
3 Typical Window Jamb at Concrete Wall
Scale 1 1/2" = 1'-0"



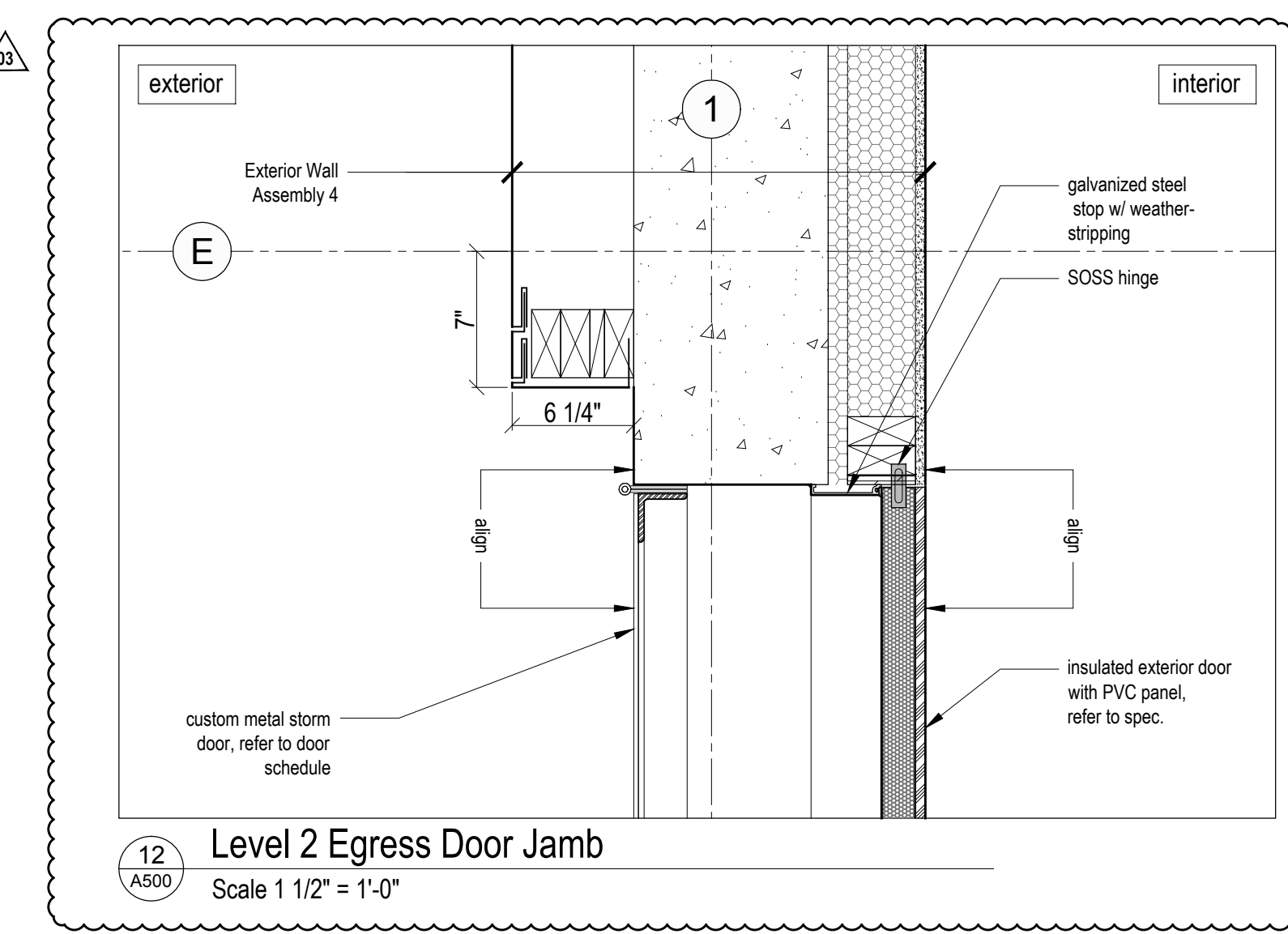
10 Typical Upper Bedroom Window Jamb at Sloped Wall
Scale 1 1/2" = 1'-0"



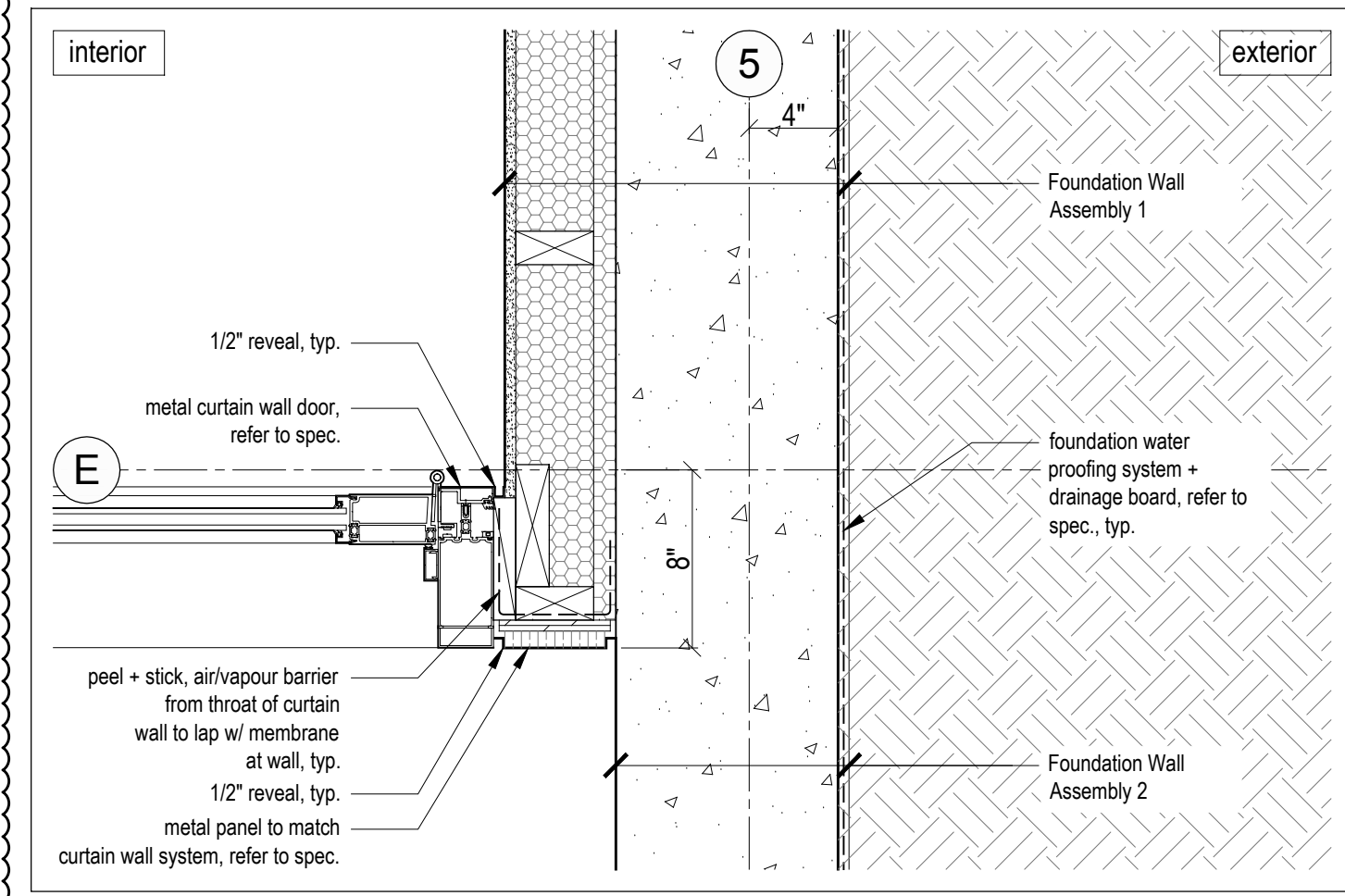
6 Window Jamb at Kitchen Window
Scale 1 1/2" = 1'-0"



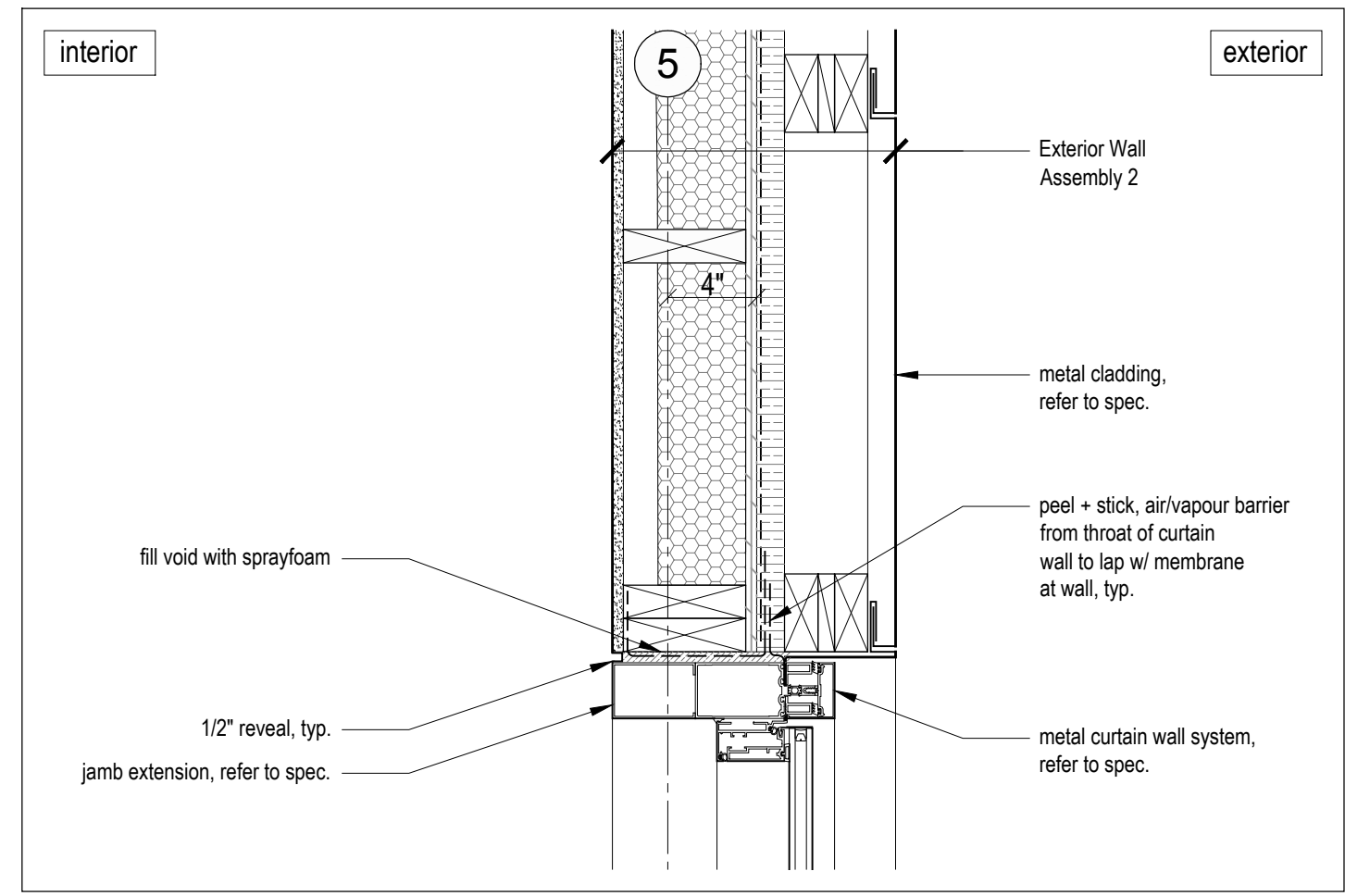
3 Typical Window Jamb at Concrete Wall
Scale 1 1/2" = 1'-0"



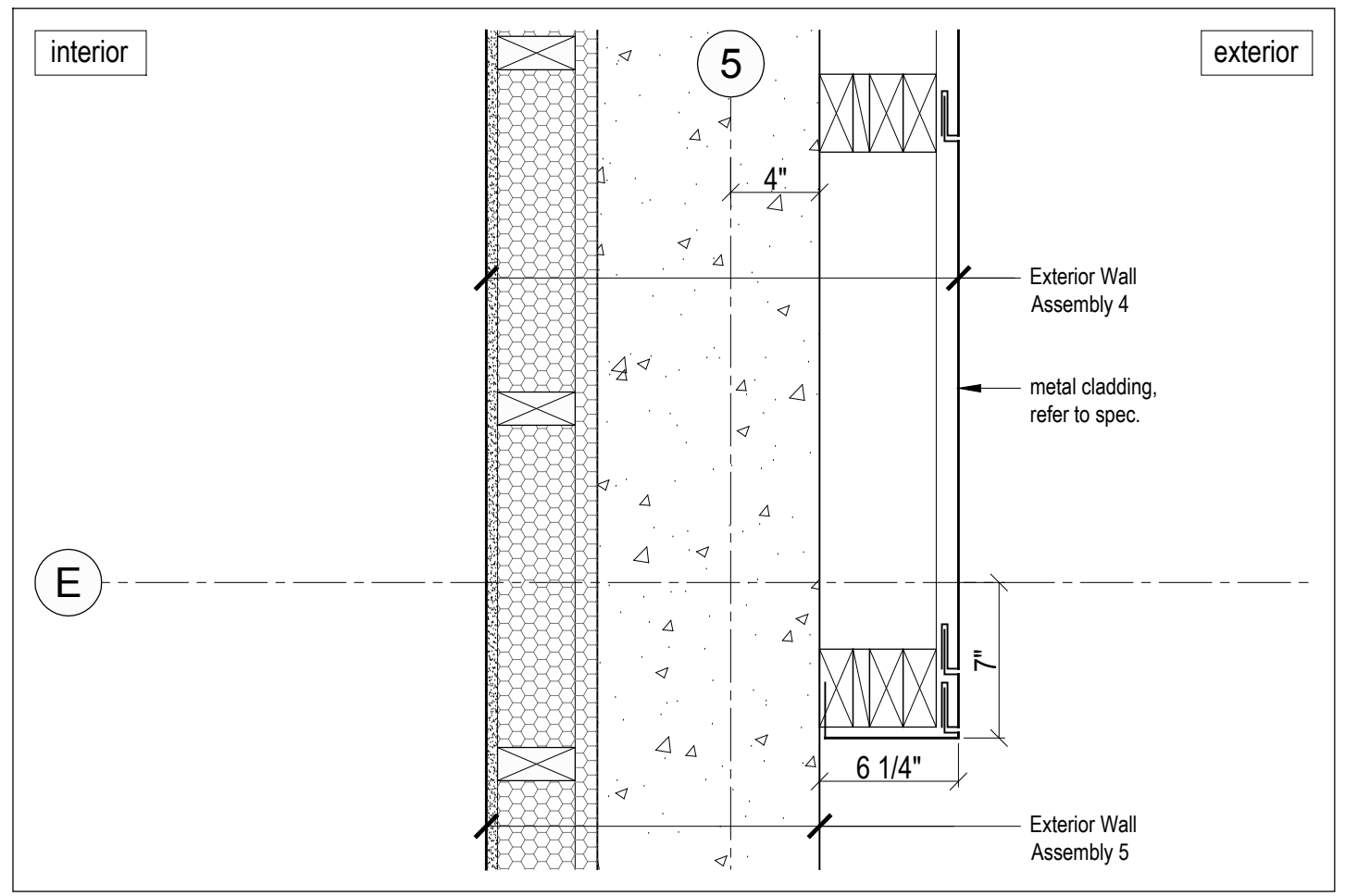
12 Level 2 Egress Door Jamb
Scale 1 1/2" = 1'-0"



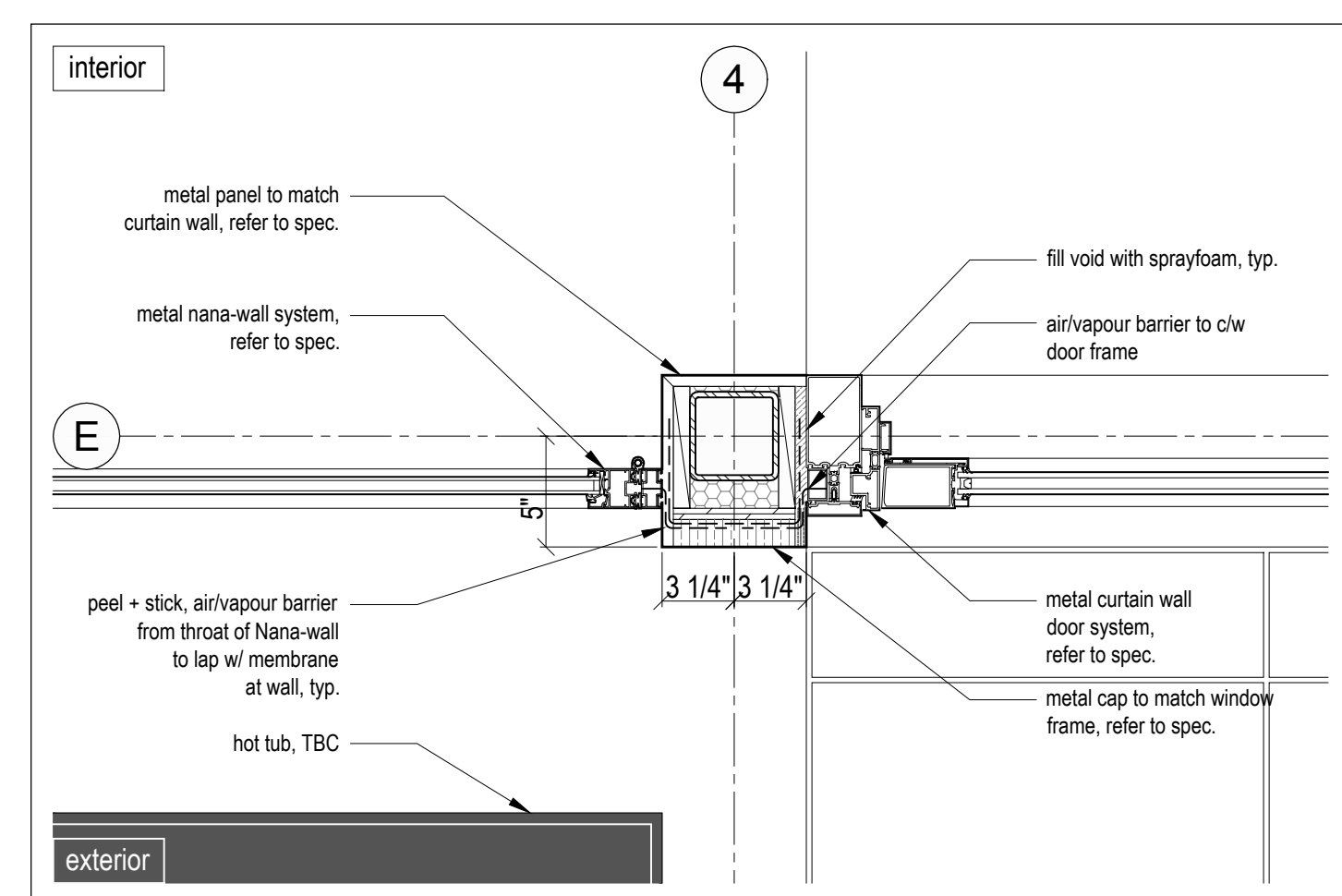
9 Typical Covered Parking Door Jamb
Scale 1 1/2" = 1'-0"



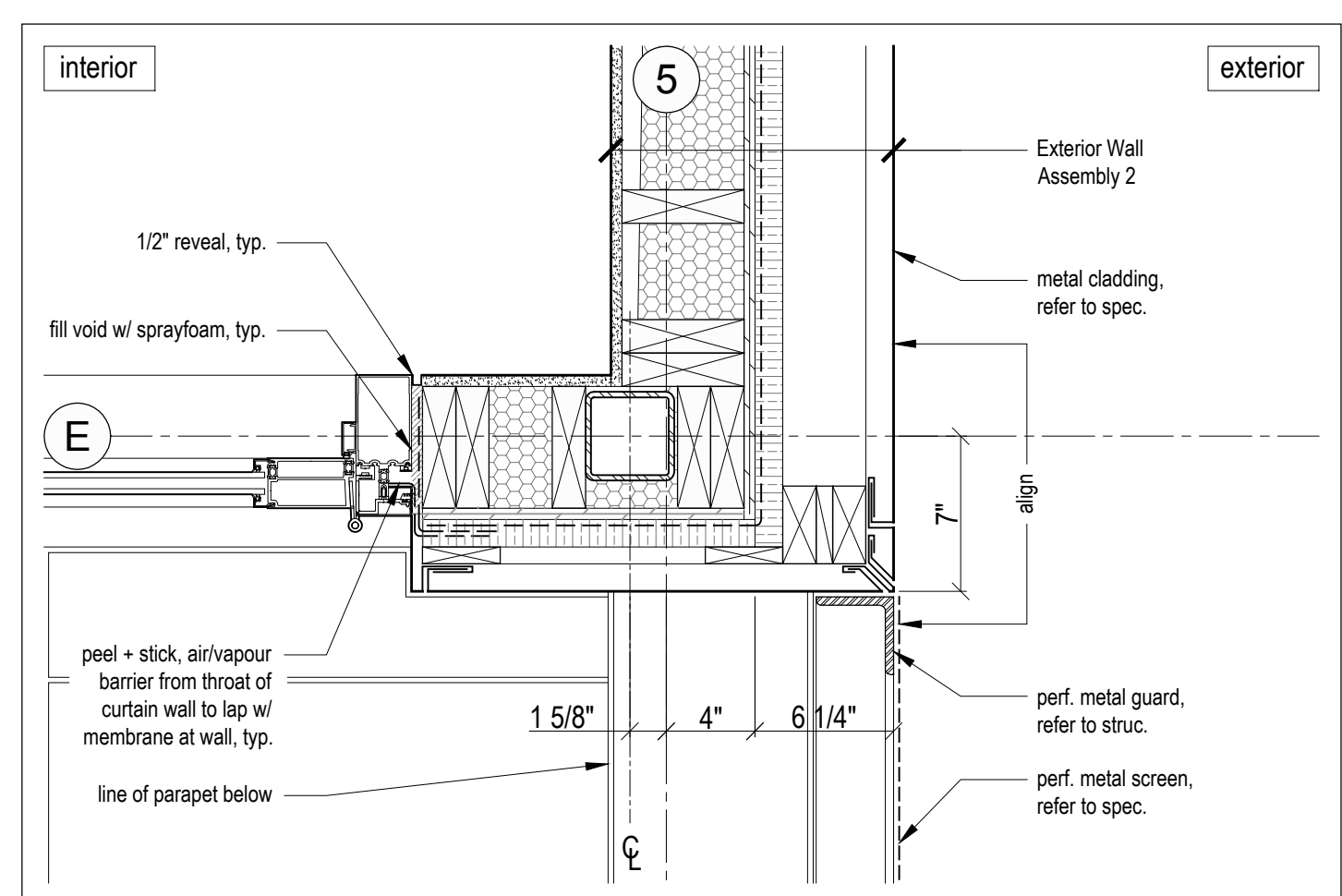
5 Typical Window/Metal Cladding Jamb Detail
Scale 1 1/2" = 1'-0"



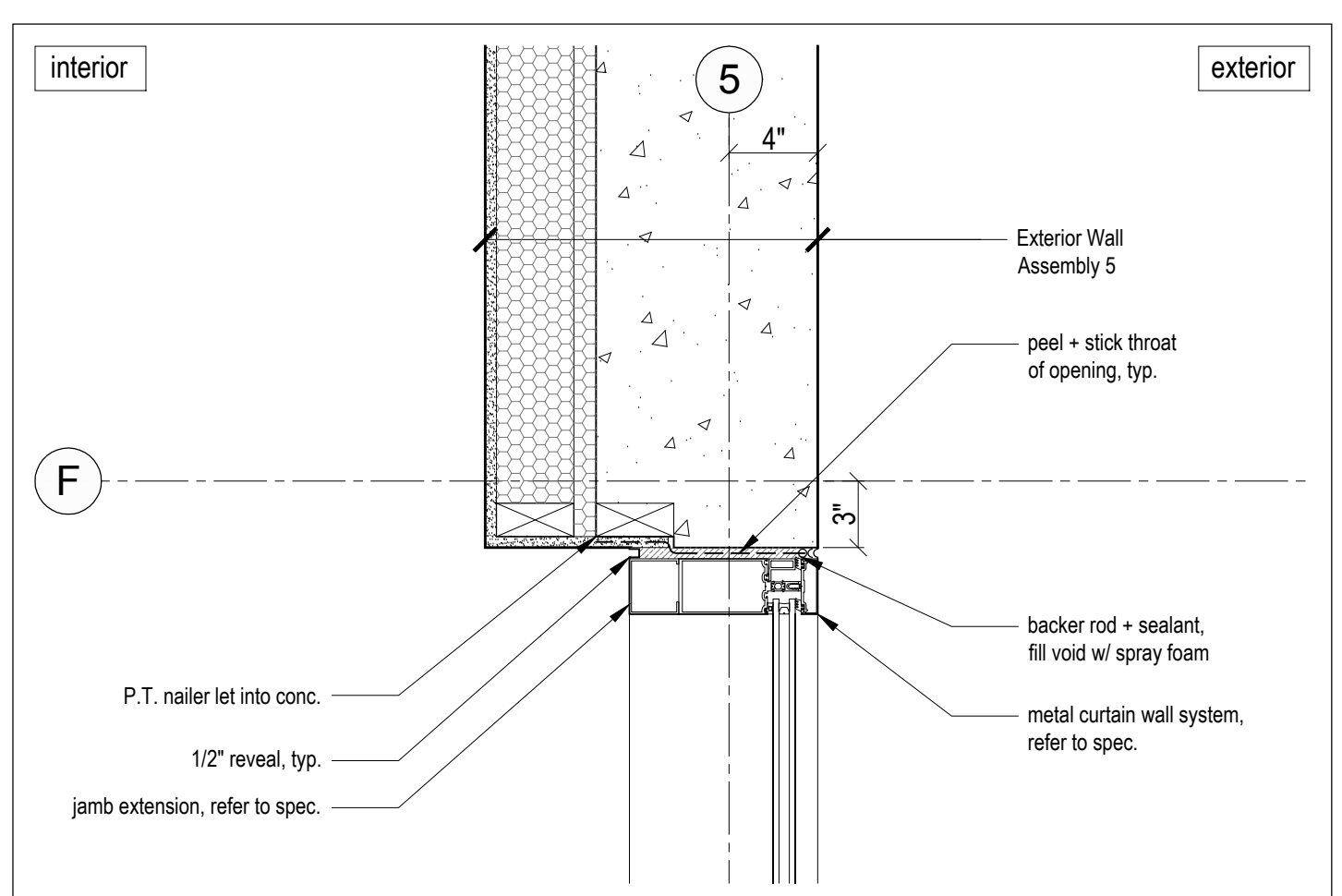
2 Typical Concrete Wall / Metal Cladding Assembly
Scale 1 1/2" = 1'-0"



8 HSS Detail at Nana-wall / Door Jamb
Scale 1 1/2" = 1'-0"



4 Roof Deck Door Jamb and Perforated Guard
Scale 1 1/2" = 1'-0"



1 Typical Curtain Wall to Concrete Wall
Scale 1 1/2" = 1'-0"

No.	Description	Date
3	Issued for Construction	2018.03.13
2	Issued for Tender	2017.12.22
1	for coordination	2017.12.1

Revision:

NOTES:
COPYRIGHT RELATED TO THE USE OF THIS DRAWING:
The use of this drawing shall be governed by standard copyright law as generally accepted in architectural practice.

ARCHITECT'S REQUIREMENTS AND APPROVALS:
It is the Builder's responsibility to notify Mackay-Lyons Sweetapple Architects Ltd. and to seek prior written approval for materials and workmanship which deviates from instructions provided by the Architect.

ENGINEER'S REQUIREMENTS AND APPROVALS:
It is the Builder's responsibility to notify Mackay-Lyons Sweetapple Architects Ltd. and to seek prior written approval for materials and workmanship which deviates from instructions provided by the Engineer.

AUTHORITIES' REQUIREMENTS AND APPROVALS:
All materials and workmanship must comply with the requirements of all authorities having jurisdiction over the work. It is the Builder's responsibility to gain necessary approval from all relevant Authorities.

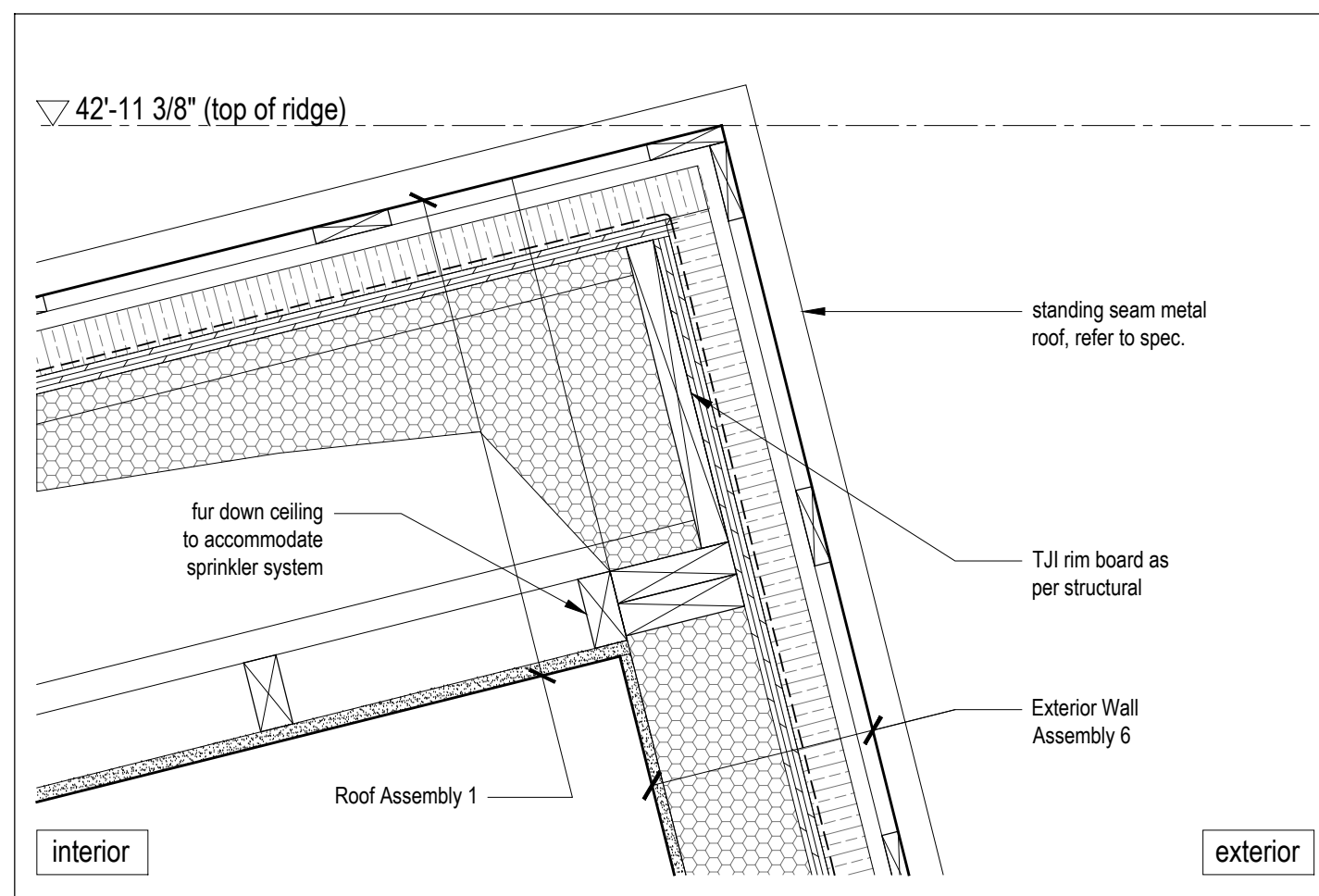
DIMENSIONS:
All dimensions must be verified on site. Do not scale off drawings. Plans take precedent over elevations. In the absence of dimensions, or if discrepancies exist, consult Architect. All minimum dimensions are to comply with the International Residential Code.

SHOP DRAWINGS:
Submit shop drawings to the Architect and Engineer for approval prior to manufacture of prefabricated elements of the building.

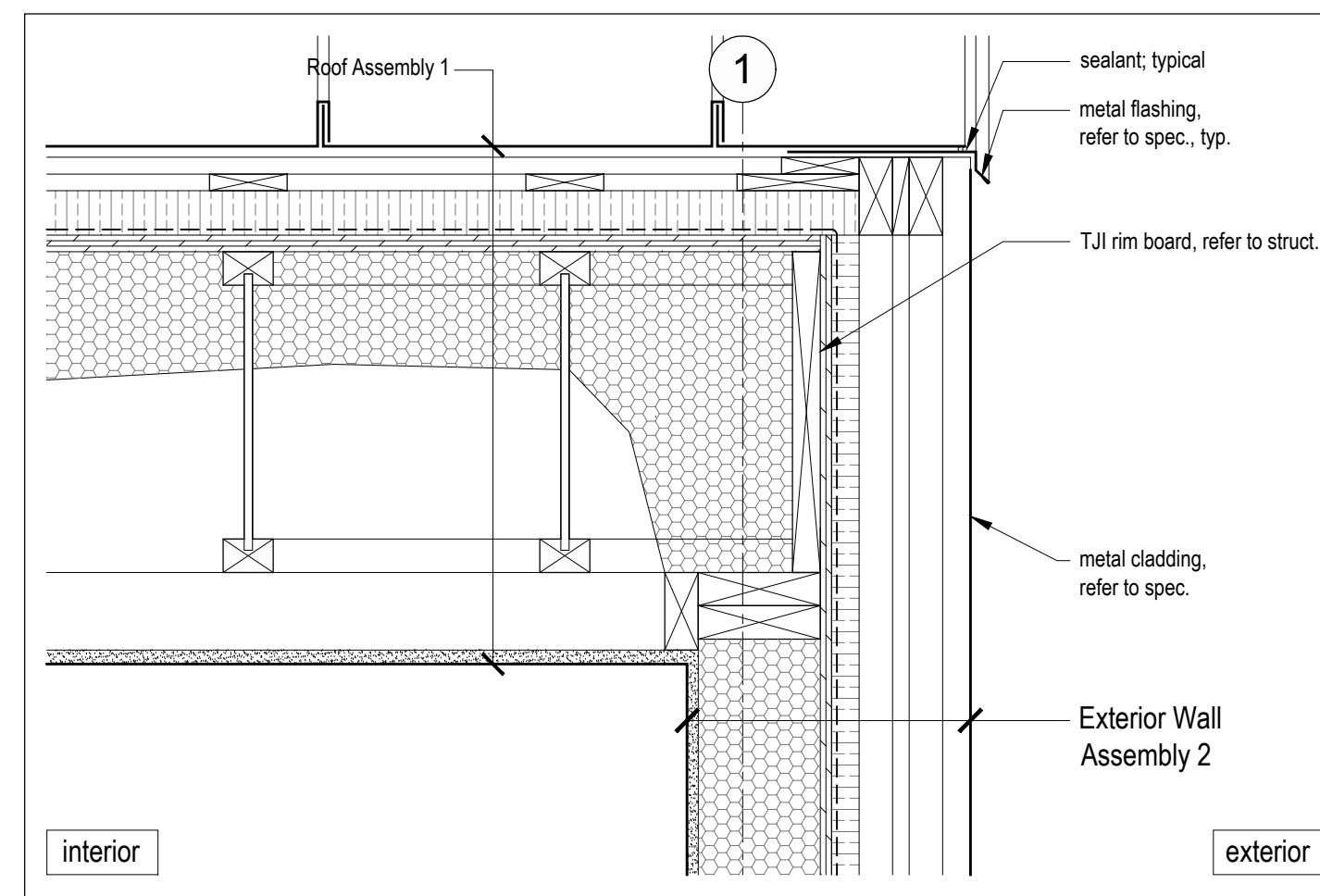
Plan Details

scale: 1 1/2" = 1'-0"
date: 17-11-23
drawn: RDWP
chk'd: BML

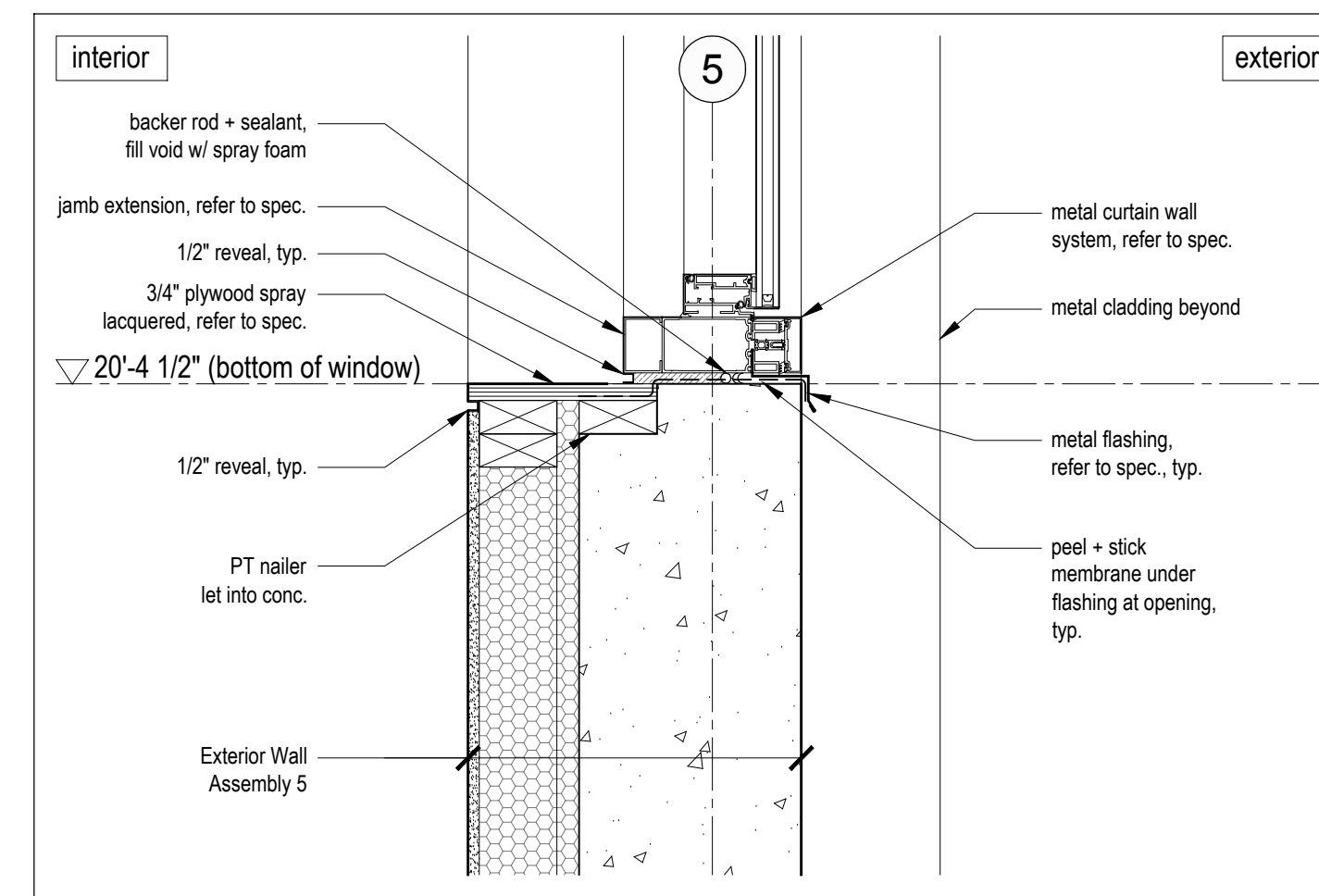
A500



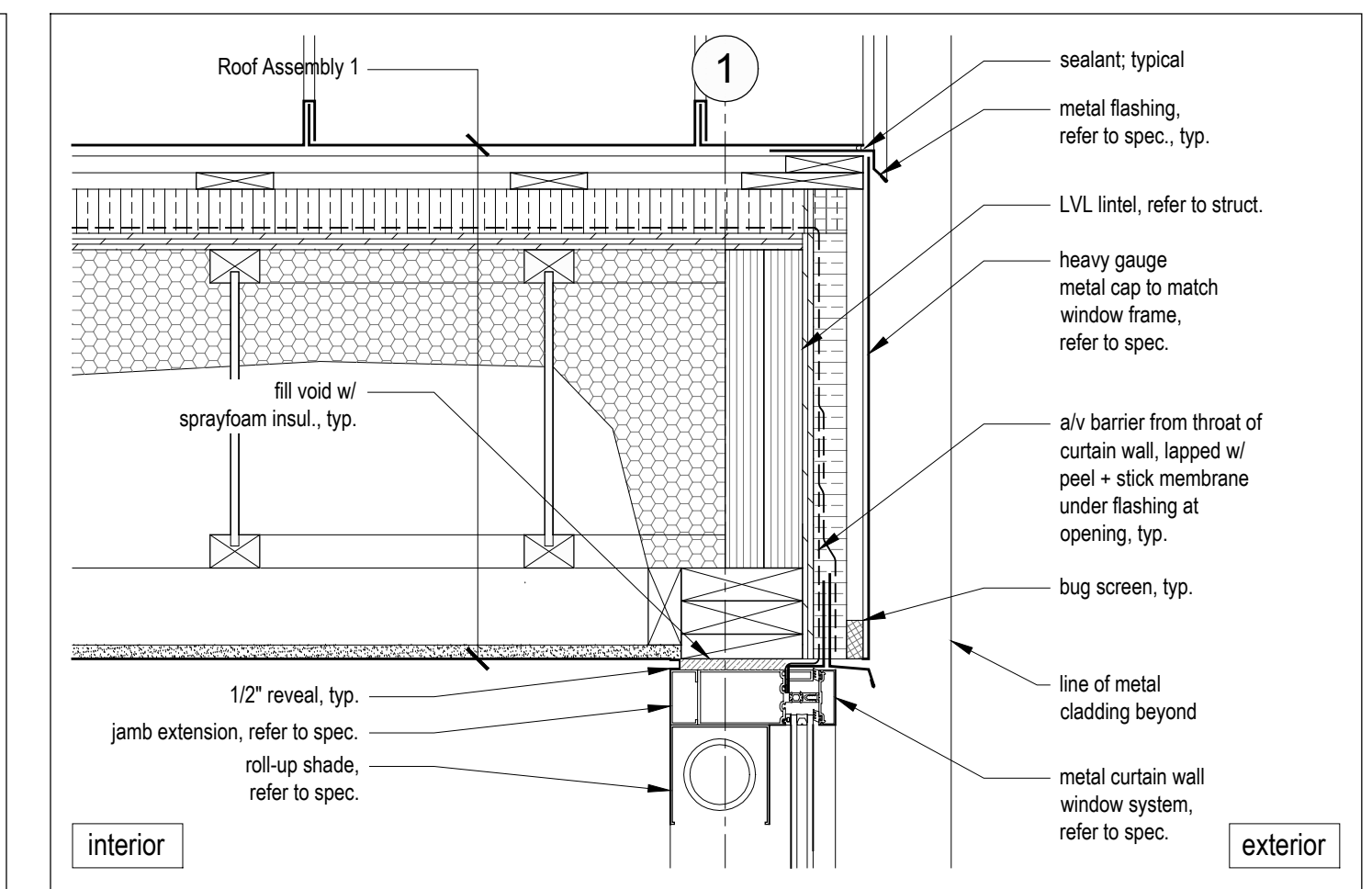
12 Typical Ridge Detail
Scale 1 1/2" = 1'-0"



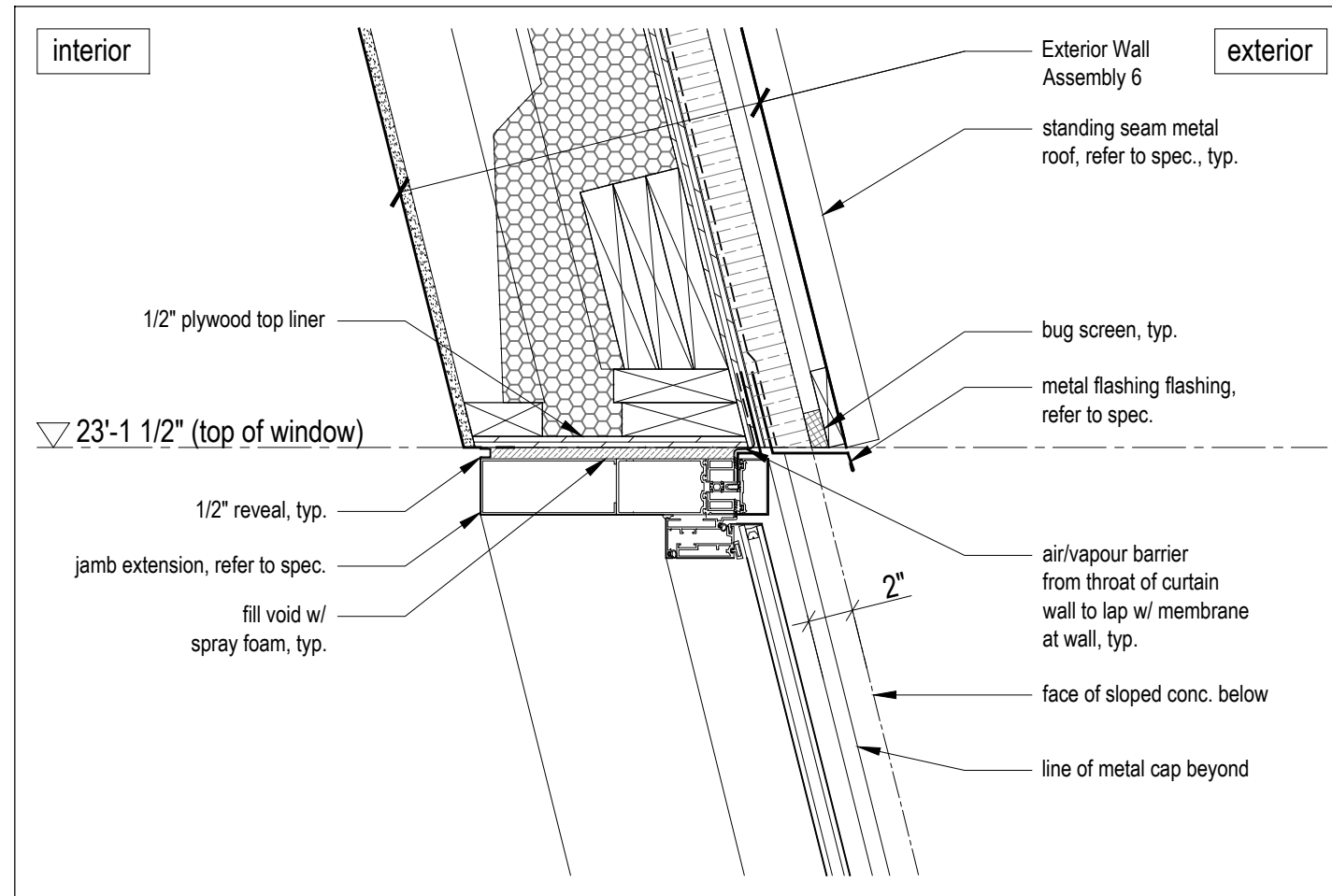
9 Typical Rake Wall/Roof Detail
Scale 1 1/2" = 1'-0"



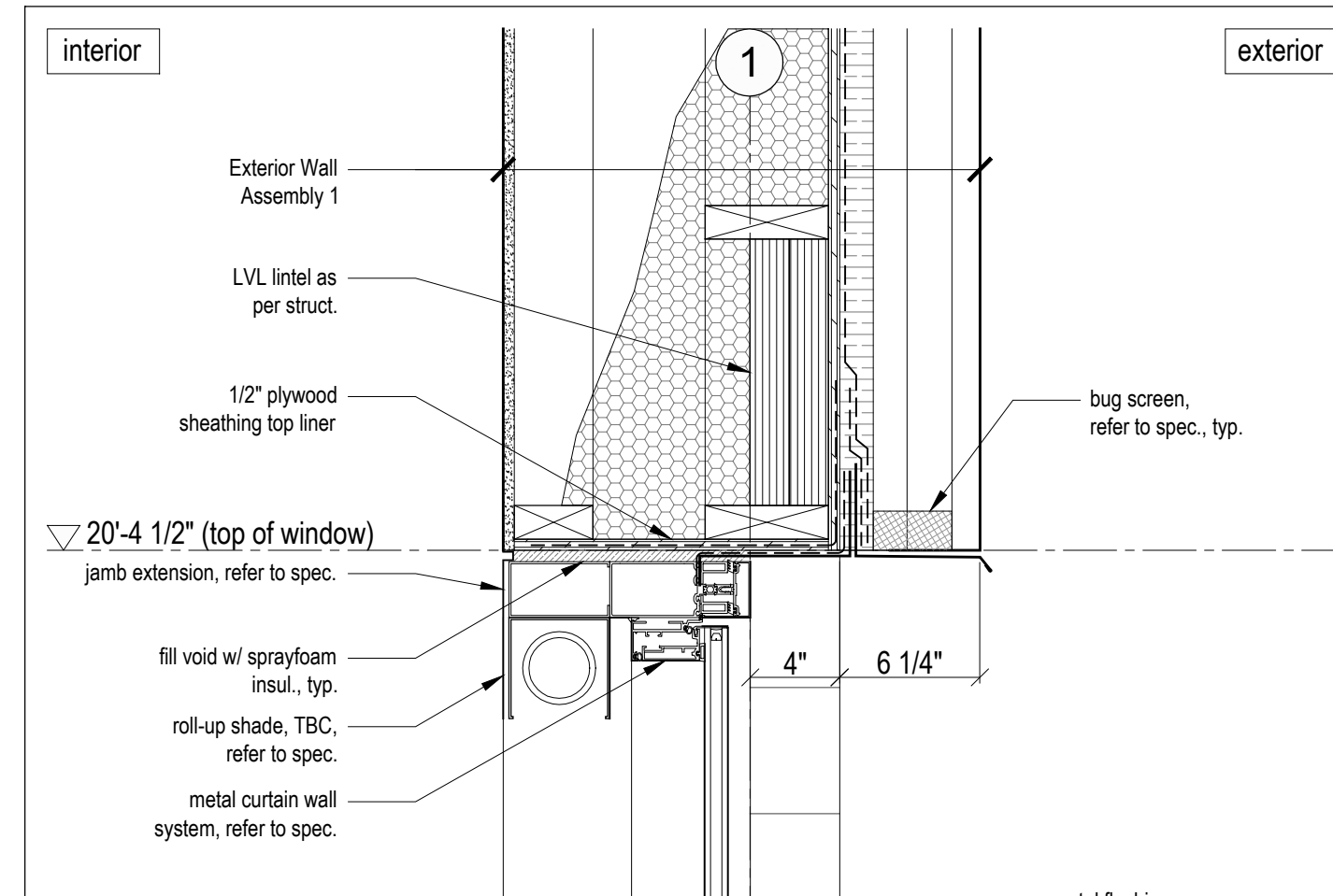
7 Typical Upper Level Curtain Wall Sill Detail
Scale 1 1/2" = 1'-0"



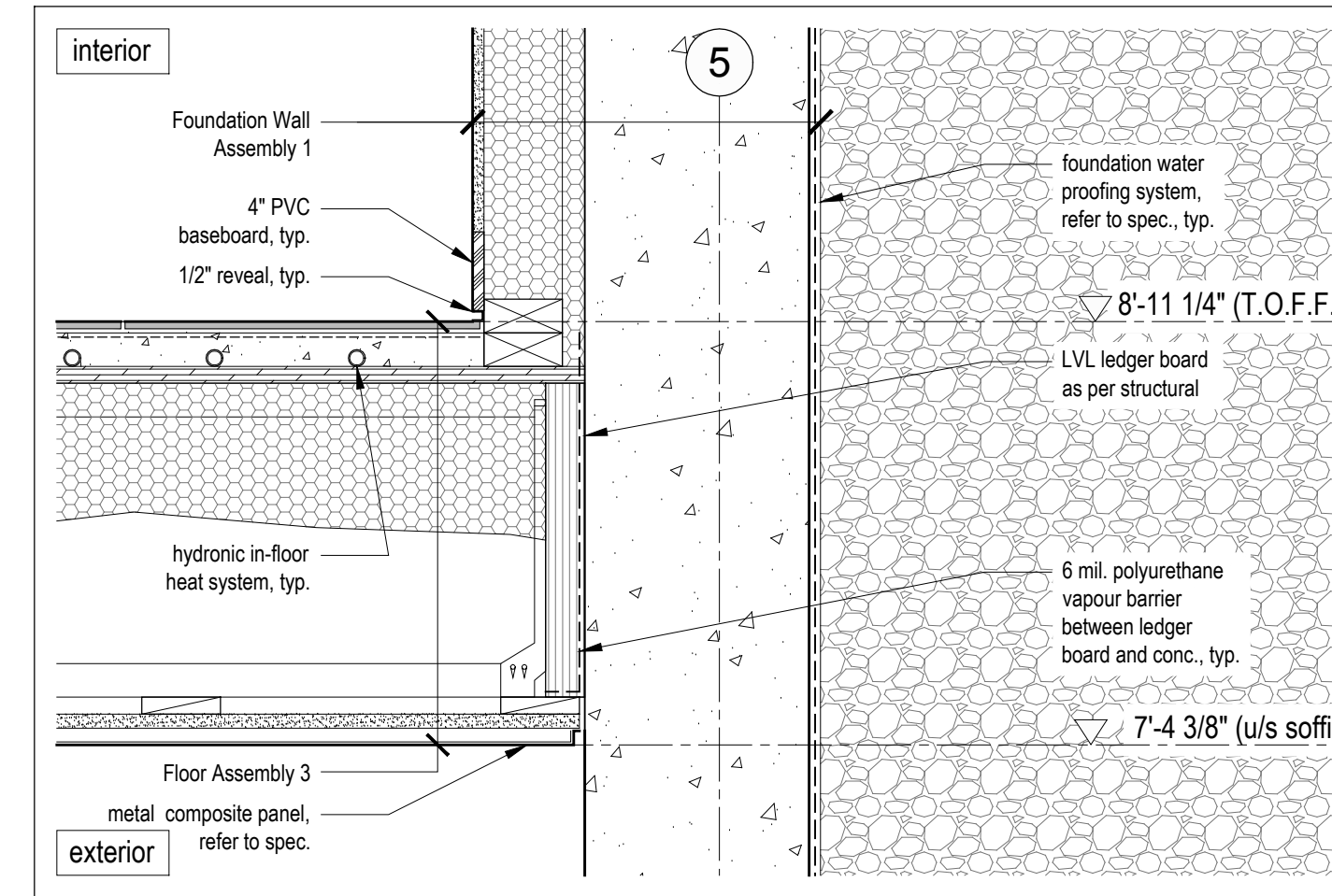
3 Typical Upper Rake Window/Roof Detail
Scale 1 1/2" = 1'-0"



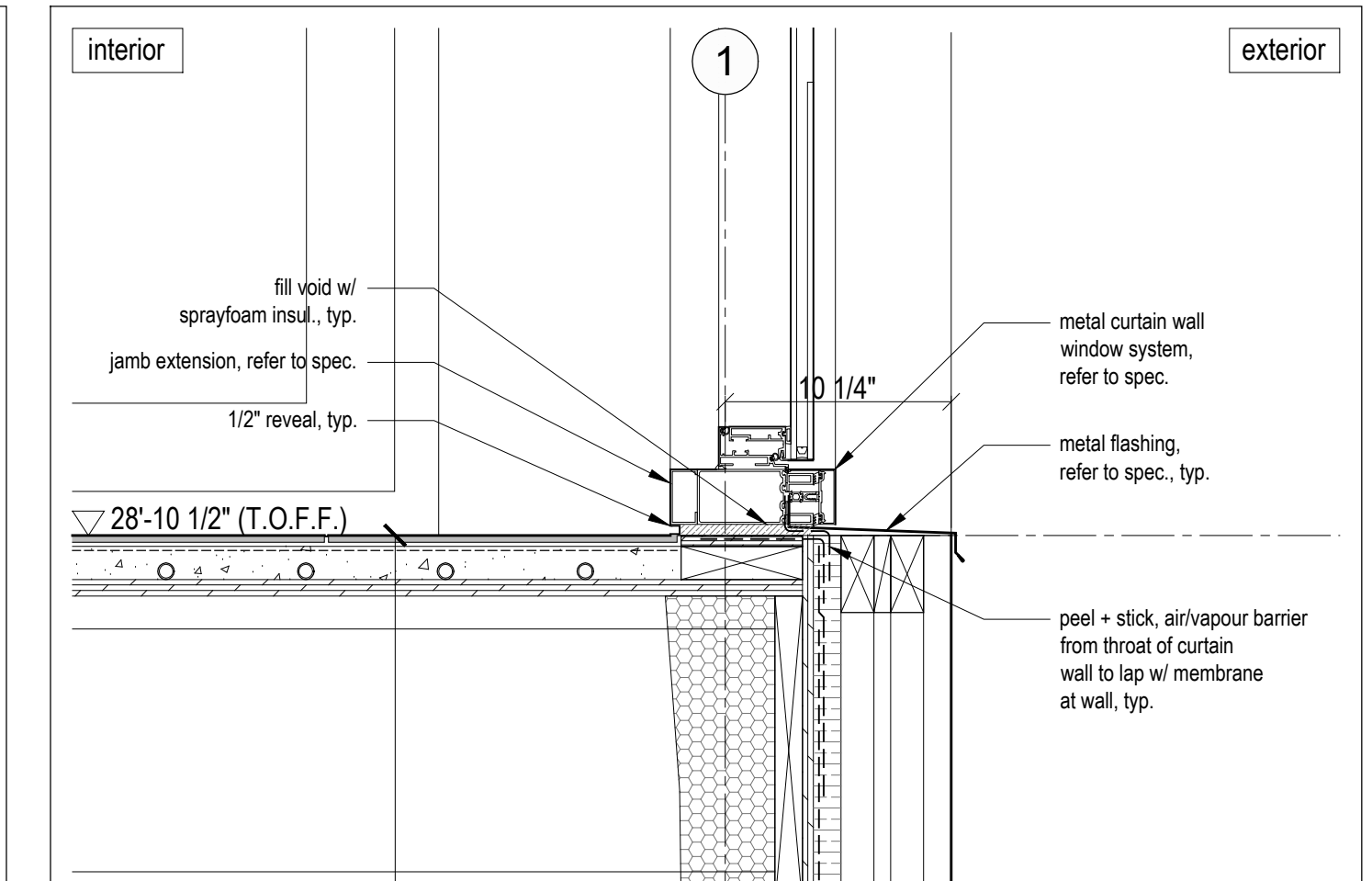
11 Typical Lower Raked Head Detail
Scale 1 1/2" = 1'-0"



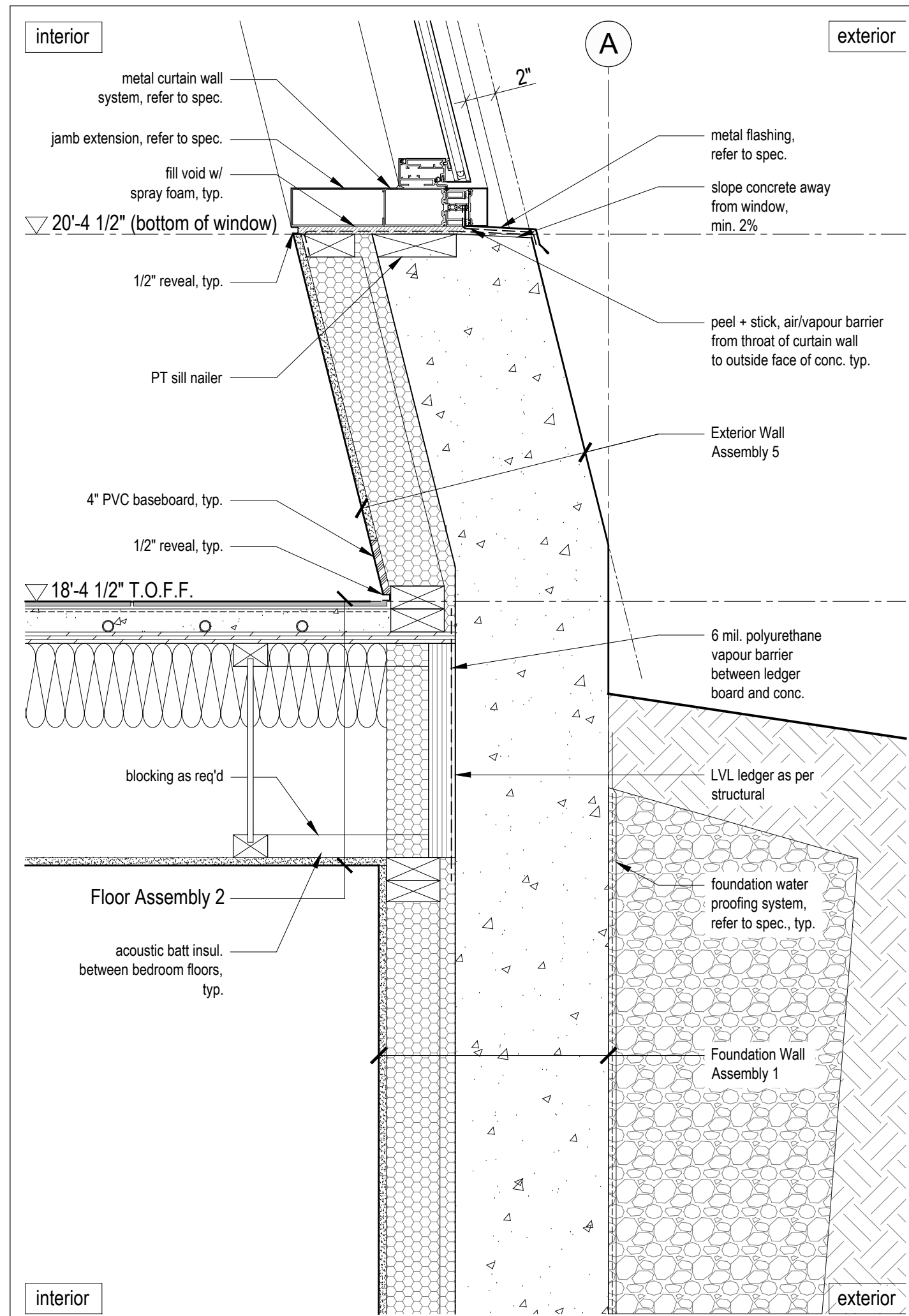
8 Typical Lower Level Bedroom Window Sill Detail
Scale 1 1/2" = 1'-0"



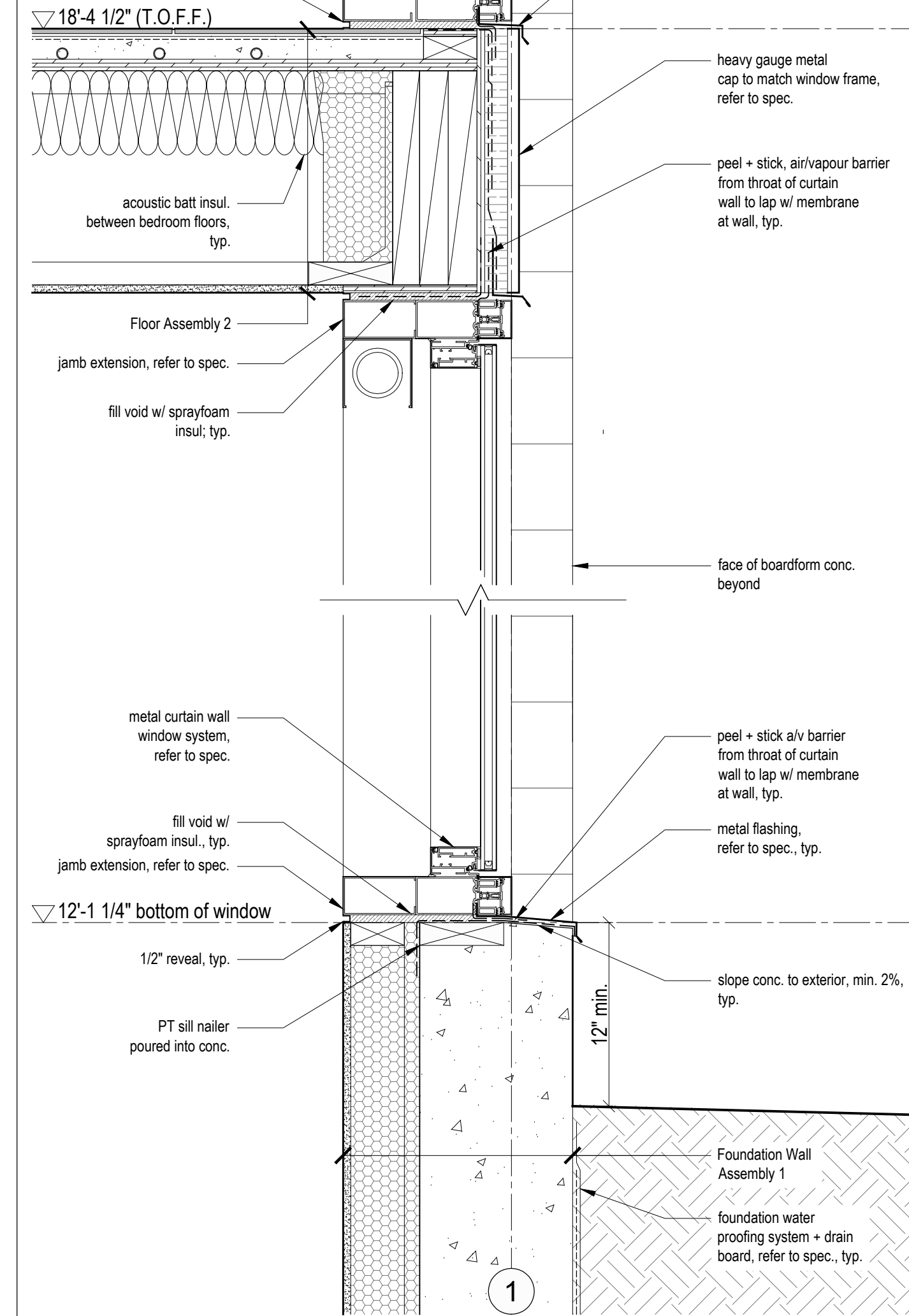
6 Typical Floor/Concrete Wall Detail
Scale 1 1/2" = 1'-0"



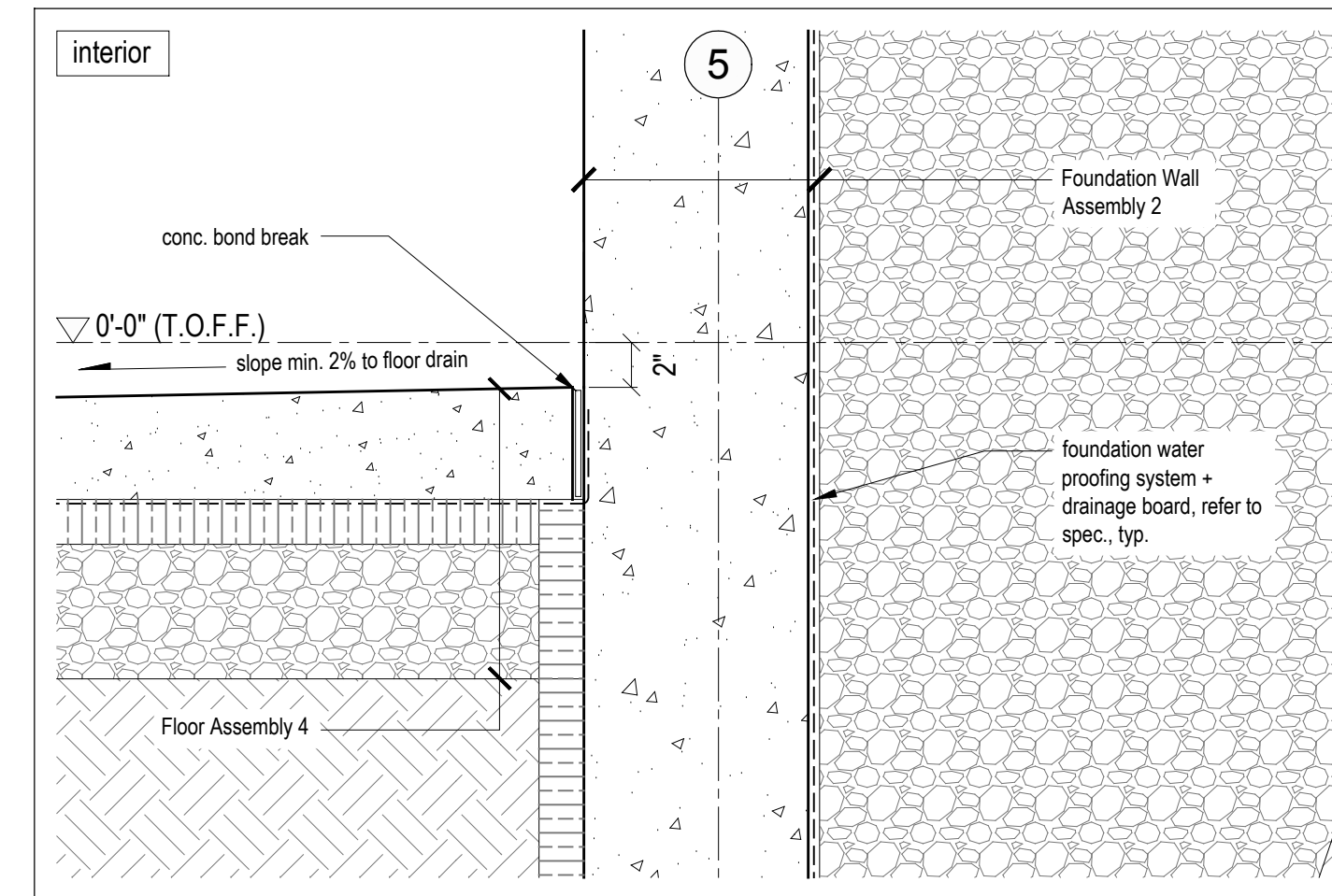
2 Typical Lounge Window Sill/Floor Detail
Scale 1 1/2" = 1'-0"



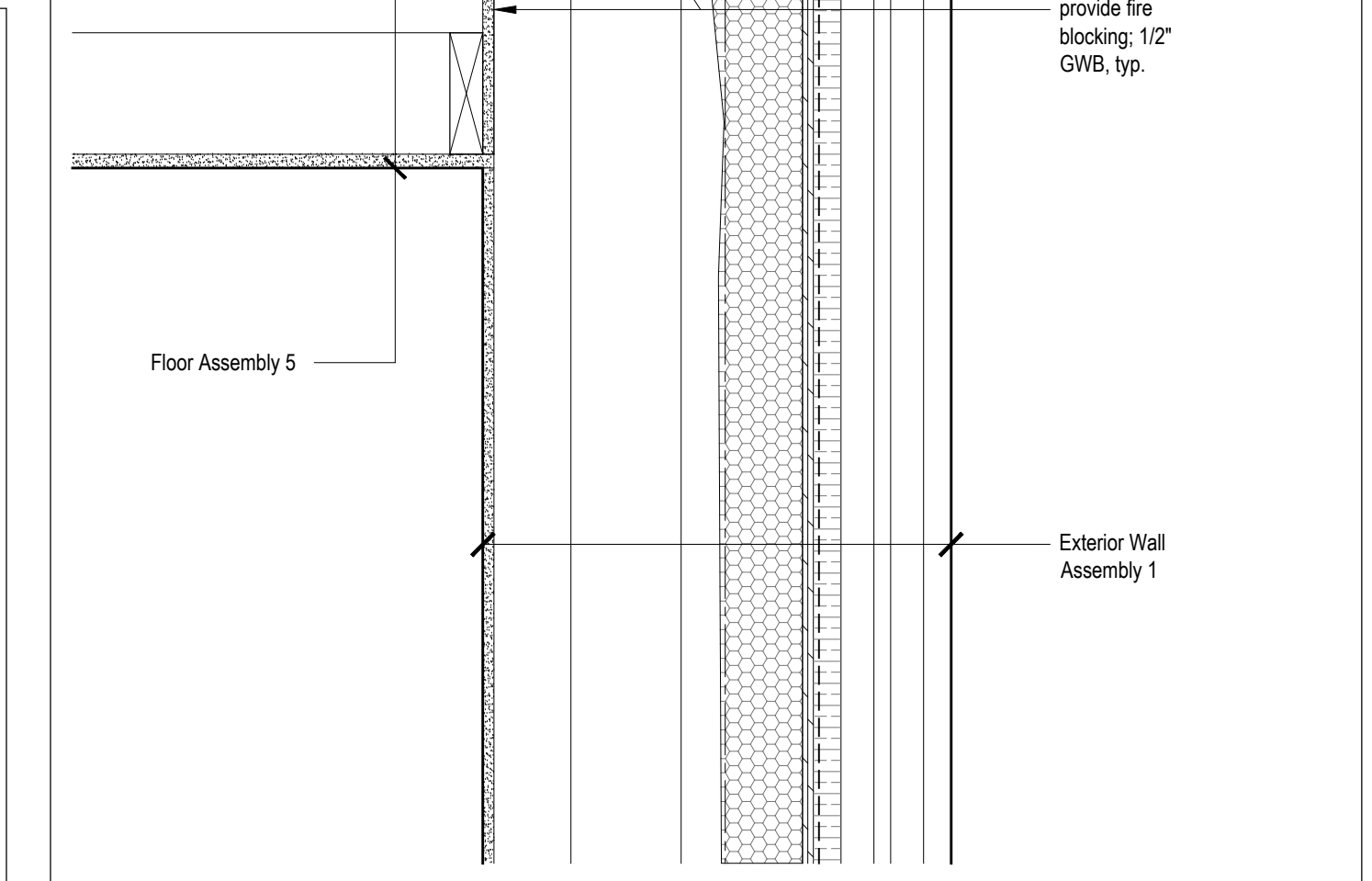
10 Typical Lower Raked Concrete Sill/Floor Detail
Scale 1 1/2" = 1'-0"



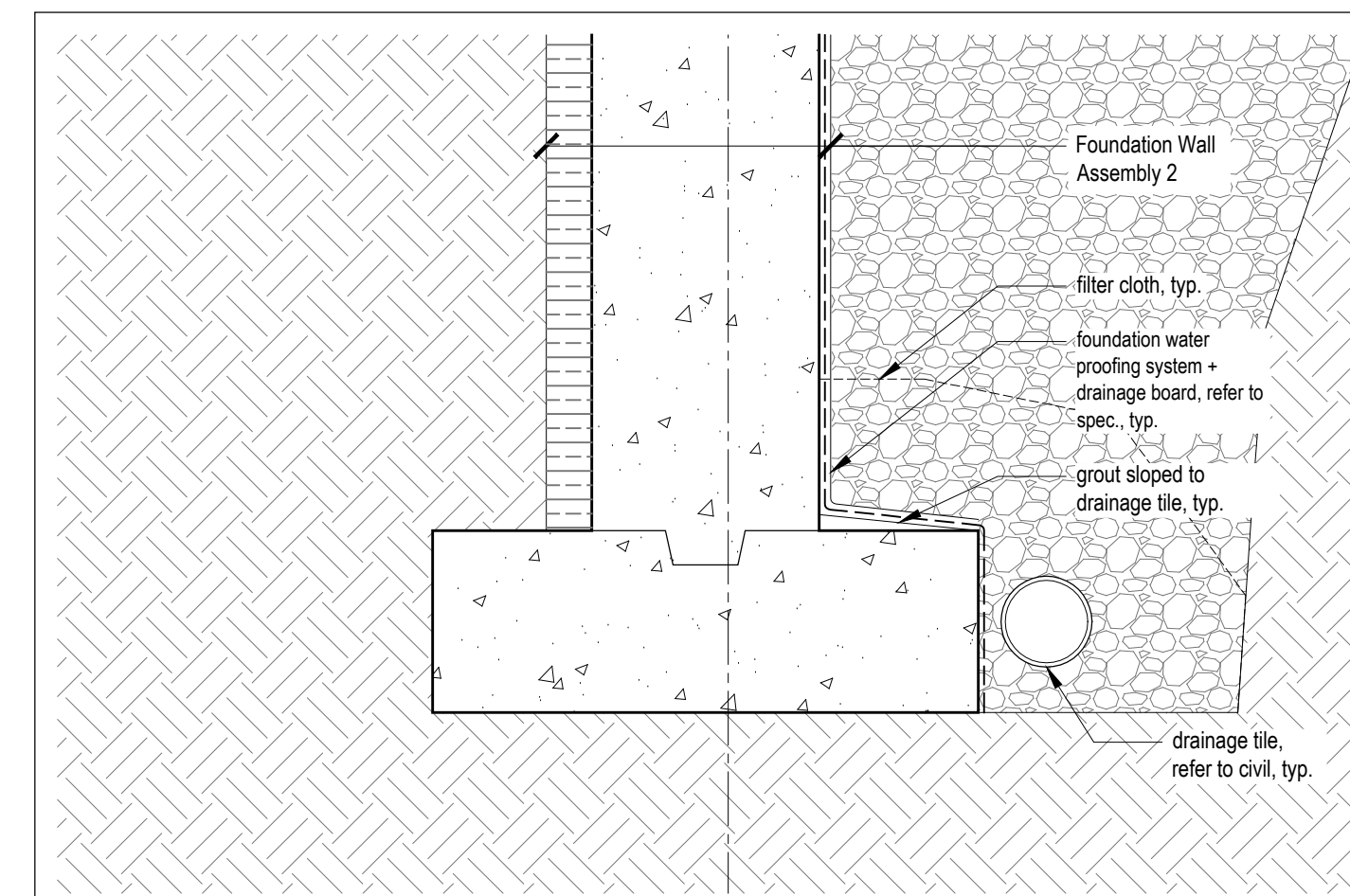
5 Typical Foundation Wall/Slab Detail
Scale 1 1/2" = 1'-0"



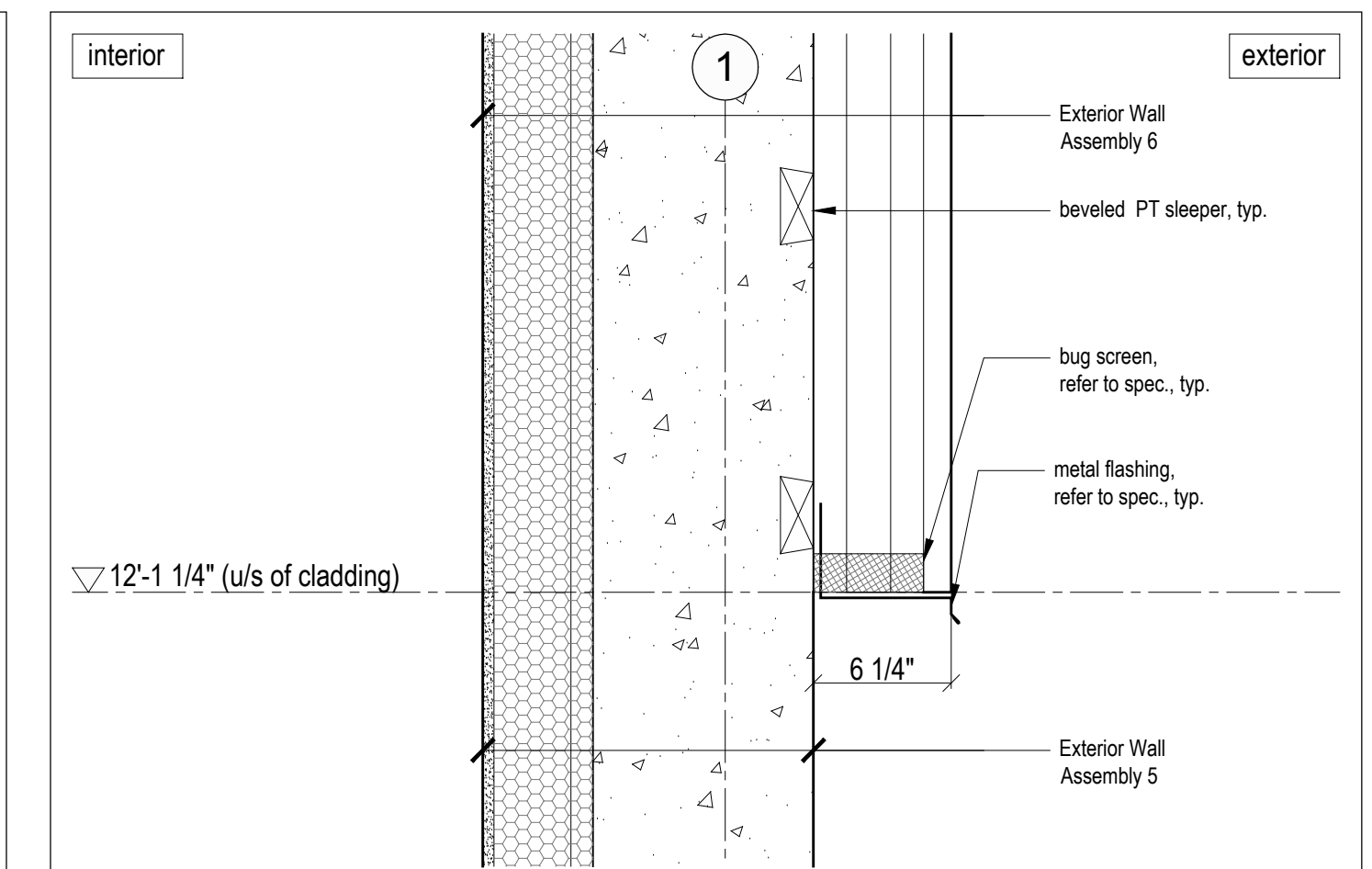
4 Typical Footing Detail
Scale 1 1/2" = 1'-0"



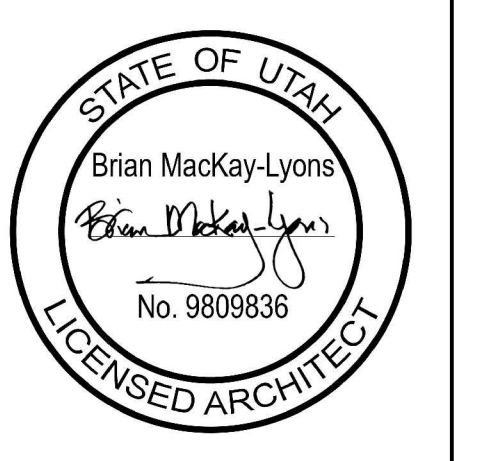
1 Typical Concrete/Cladding Wall Detail
Scale 1 1/2" = 1'-0"



4 Typical Lower Raked Concrete Sill/Floor Detail
Scale 1 1/2" = 1'-0"



1 Typical Concrete/Cladding Wall Detail
Scale 1 1/2" = 1'-0"



No.	Description	Date
3	Issued for Construction	2018.03.13
2	Issued for Tender	2017.12.22
1	for coordination	2017.12.1

Revision:

NOTES:

COPYRIGHT RELATED TO THE USE OF THIS DRAWING:
The use of this drawing shall be governed by standard copyright law as generally accepted in architectural practice.

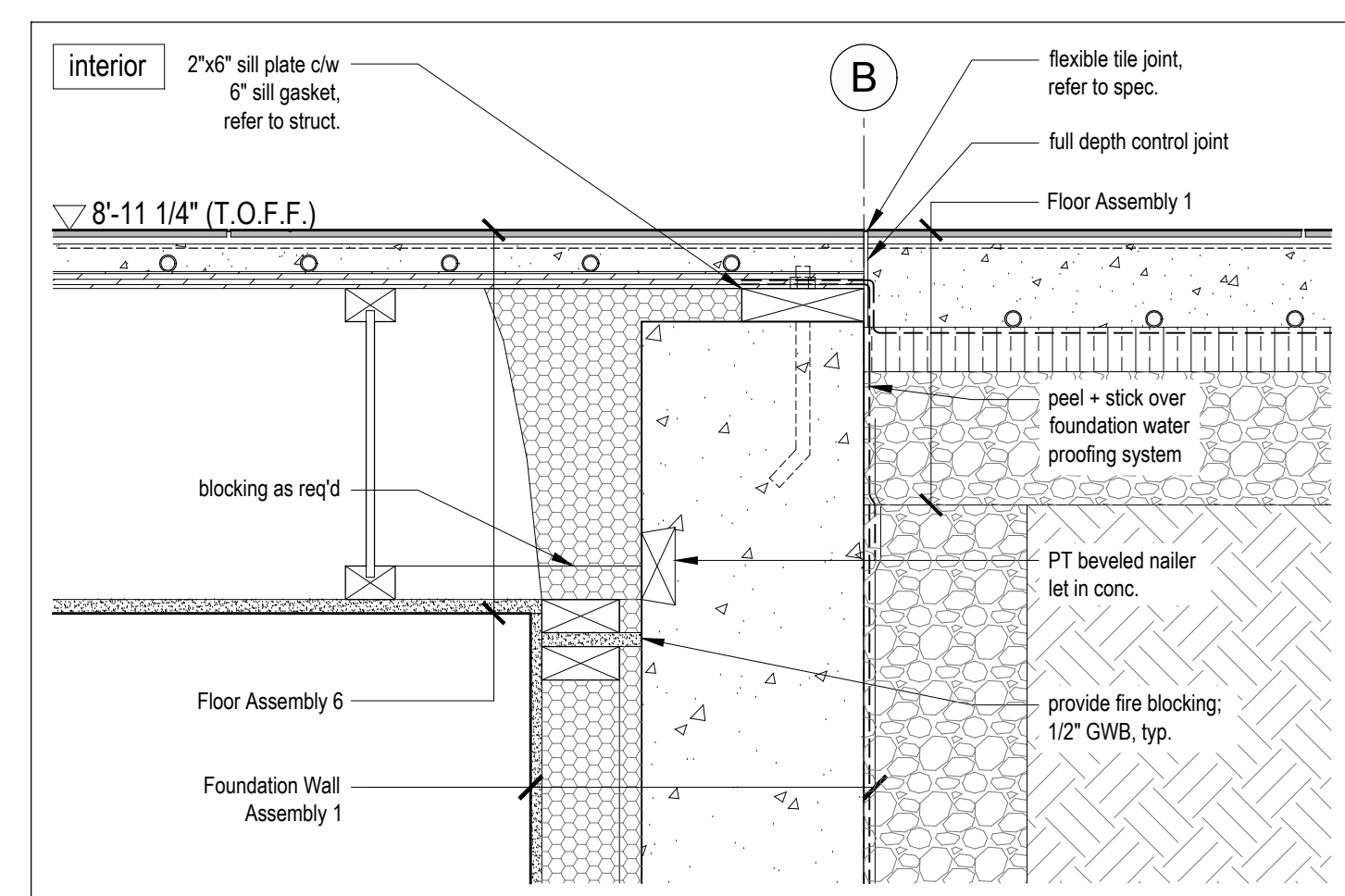
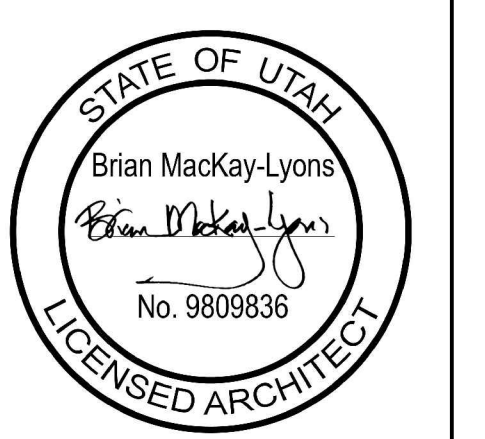
ARCHITECT'S REQUIREMENTS AND APPROVALS:
It is the Builder's responsibility to notify Mackay-Lyons Sweetapple Architects Ltd. and to seek prior written approval for materials and workmanship which deviates from instructions provided by the Architect.

ENGINEER'S REQUIREMENTS AND APPROVALS:
It is the Builder's responsibility to notify Mackay-Lyons Sweetapple Architects Ltd. and to seek prior written approval for materials and workmanship which deviates from instructions provided by the Engineer.

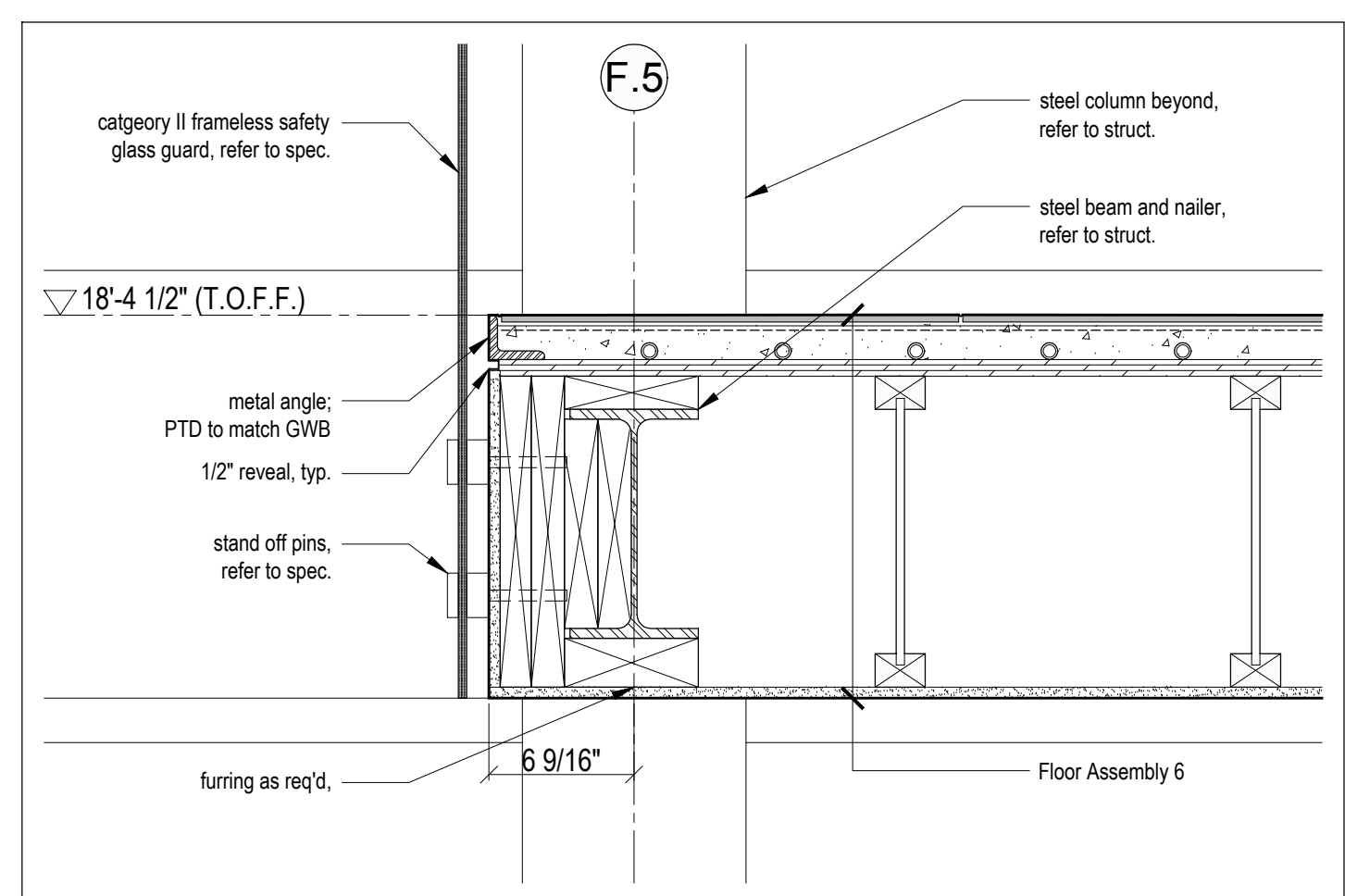
AUTHORITIES' REQUIREMENTS AND APPROVALS:
All materials and workmanship must comply with the requirements of all authorities having jurisdiction over the work. It is the Builder's responsibility to gain necessary approval from all relevant Authorities.

DIMENSIONS:
All dimensions must be verified on site. Do not scale off drawings. Plans take precedent over elevations. In the absence of dimensions, or if discrepancies exist, consult Architect. All minimum dimensions are to comply with the International Residential Code.

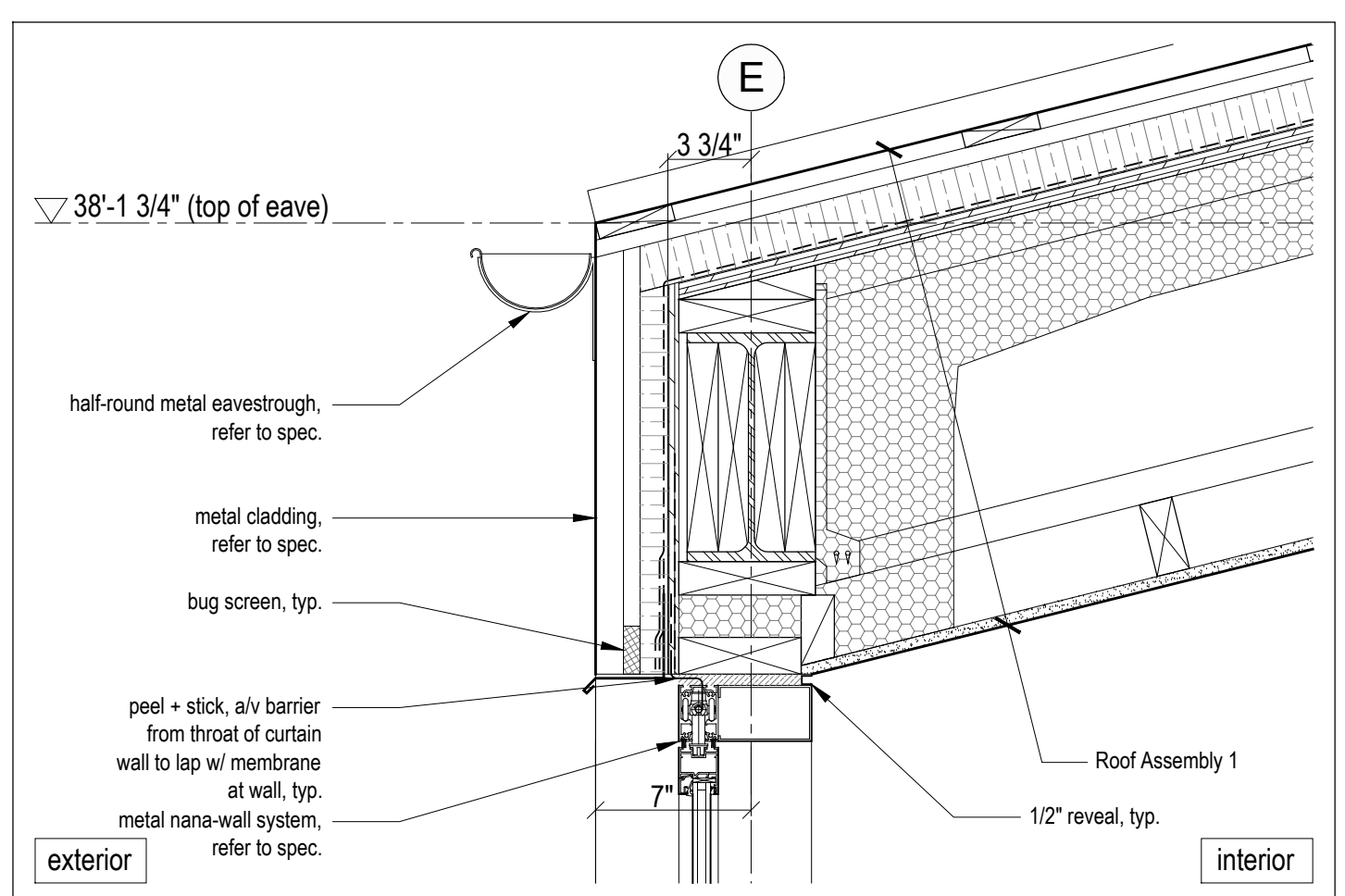
SHOP DRAWINGS:
Submit shop drawings to the Architect and Engineer for approval prior to manufacture of prefabricated elements of the building.



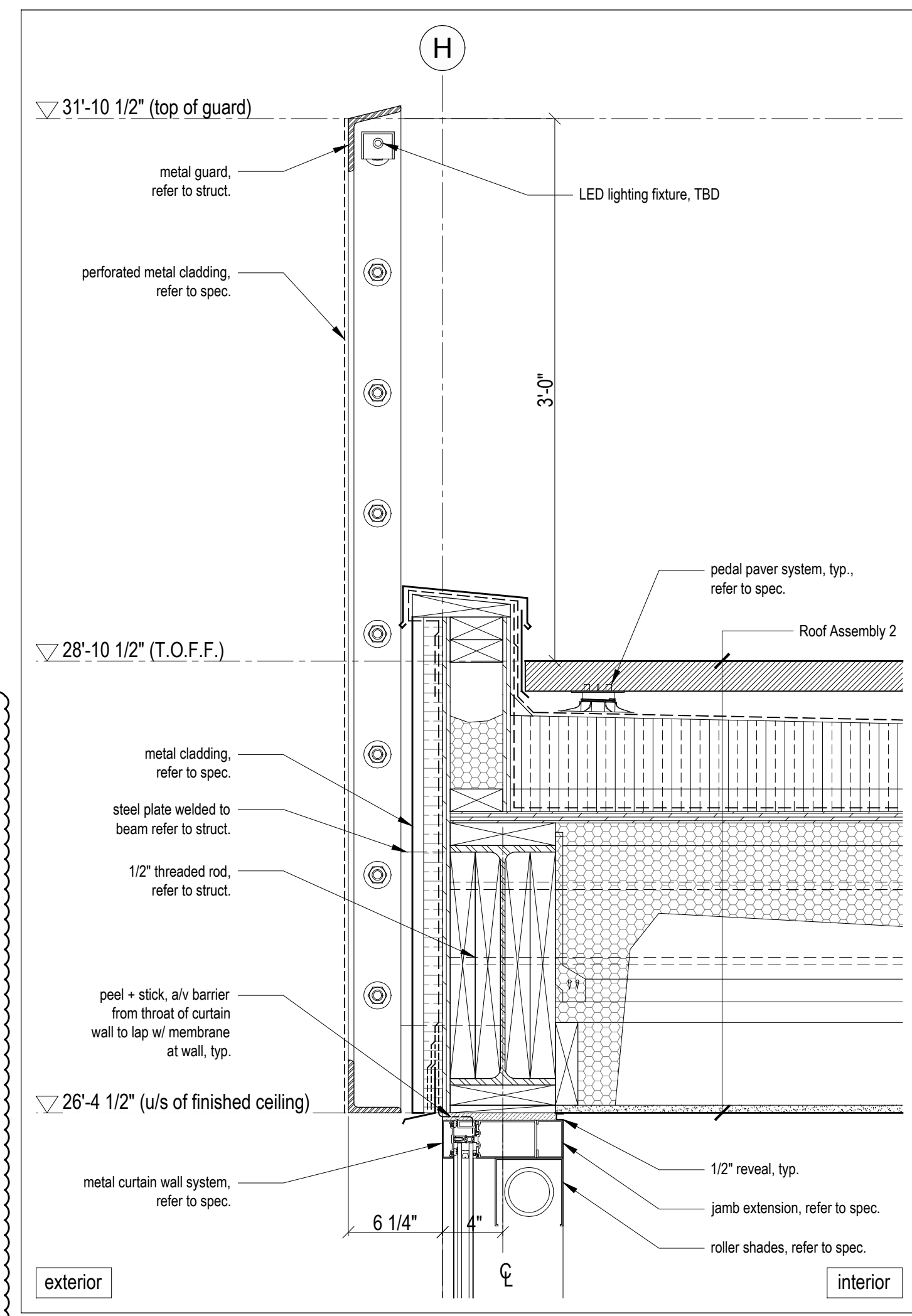
10 Foundation Wall/Slab/Floor Detail
Scale 1 1/2" = 1'-0"



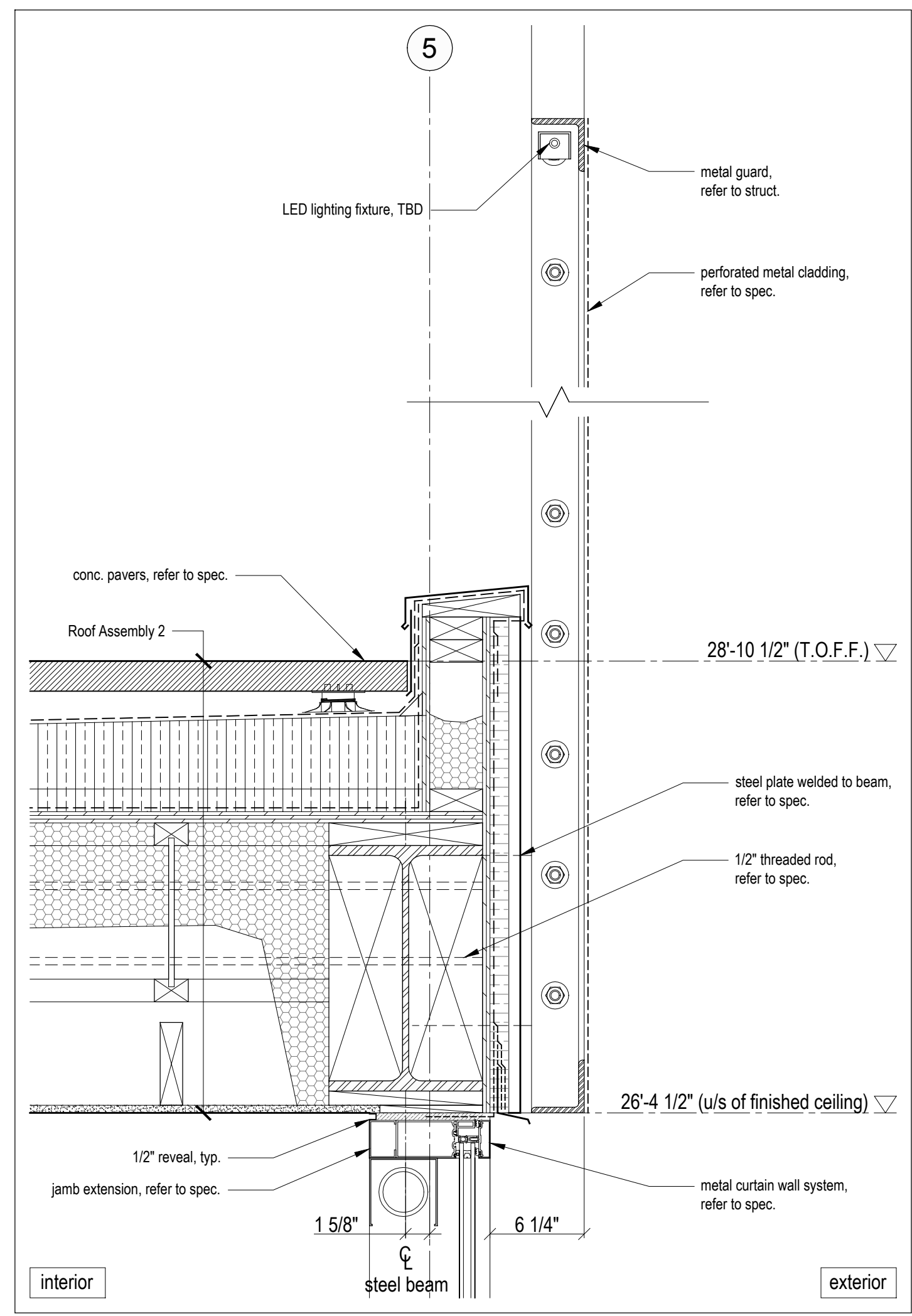
7 Typical Interior Glass Guard Detail
Scale 1 1/2" = 1'-0"



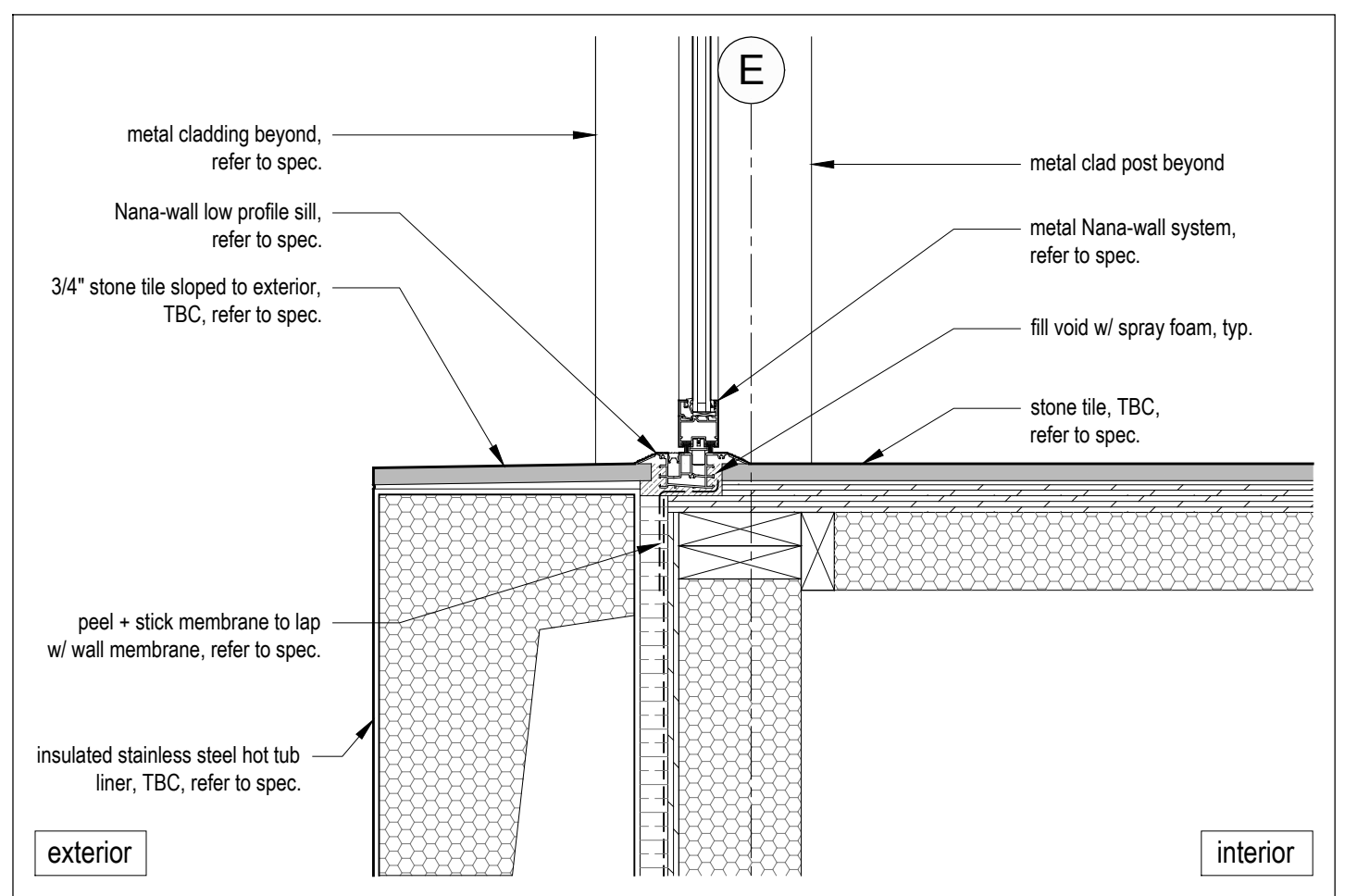
4 Typical Eave/Nana-wall Detail
Scale 1 1/2" = 1'-0"



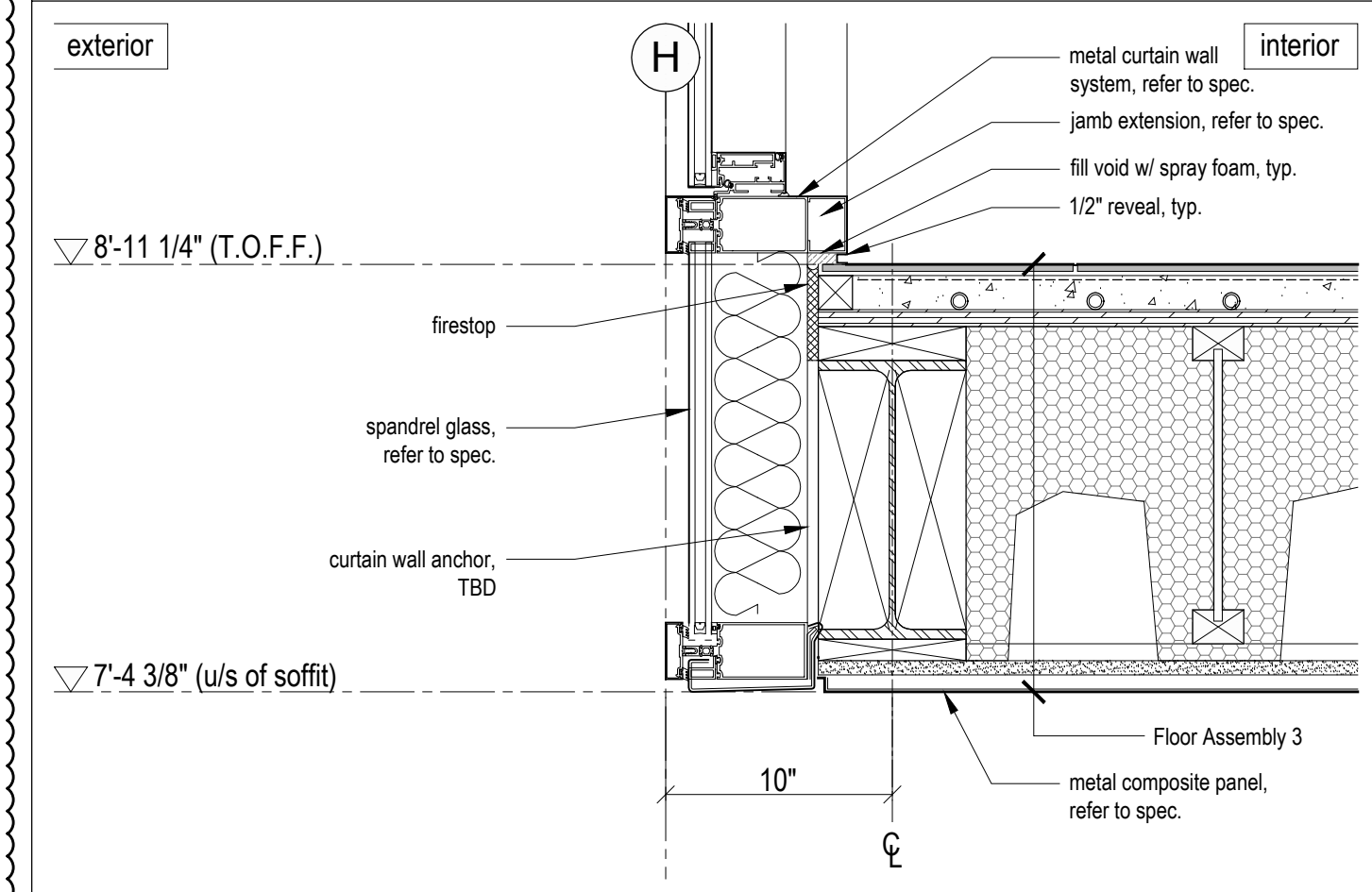
9 Guard/Roof Deck Detail @ Grid H
Scale 1 1/2" = 1'-0"



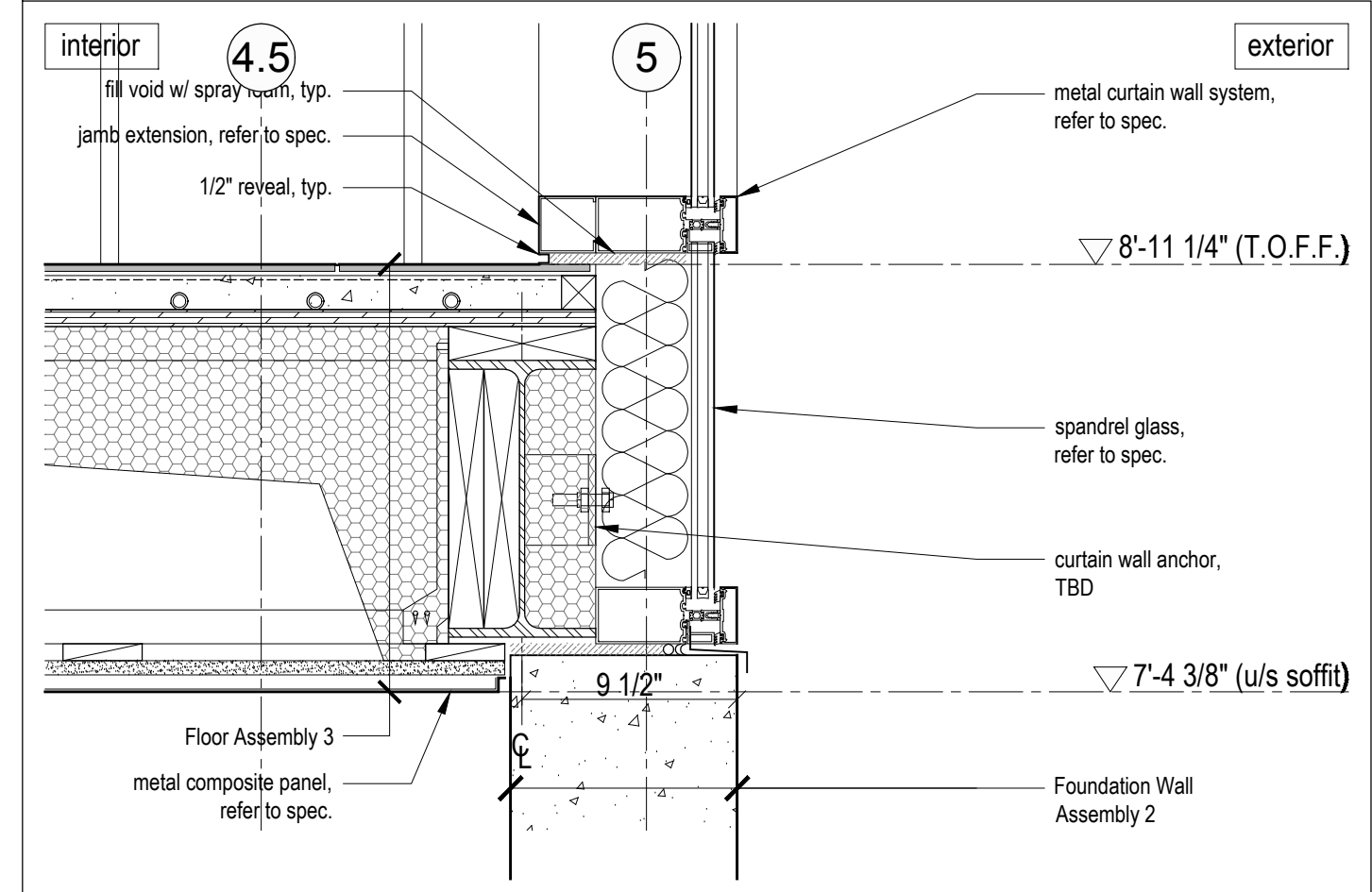
6 Typical Guard/Roof Deck Detail @ Grid 1 & 5
Scale 1 1/2" = 1'-0"



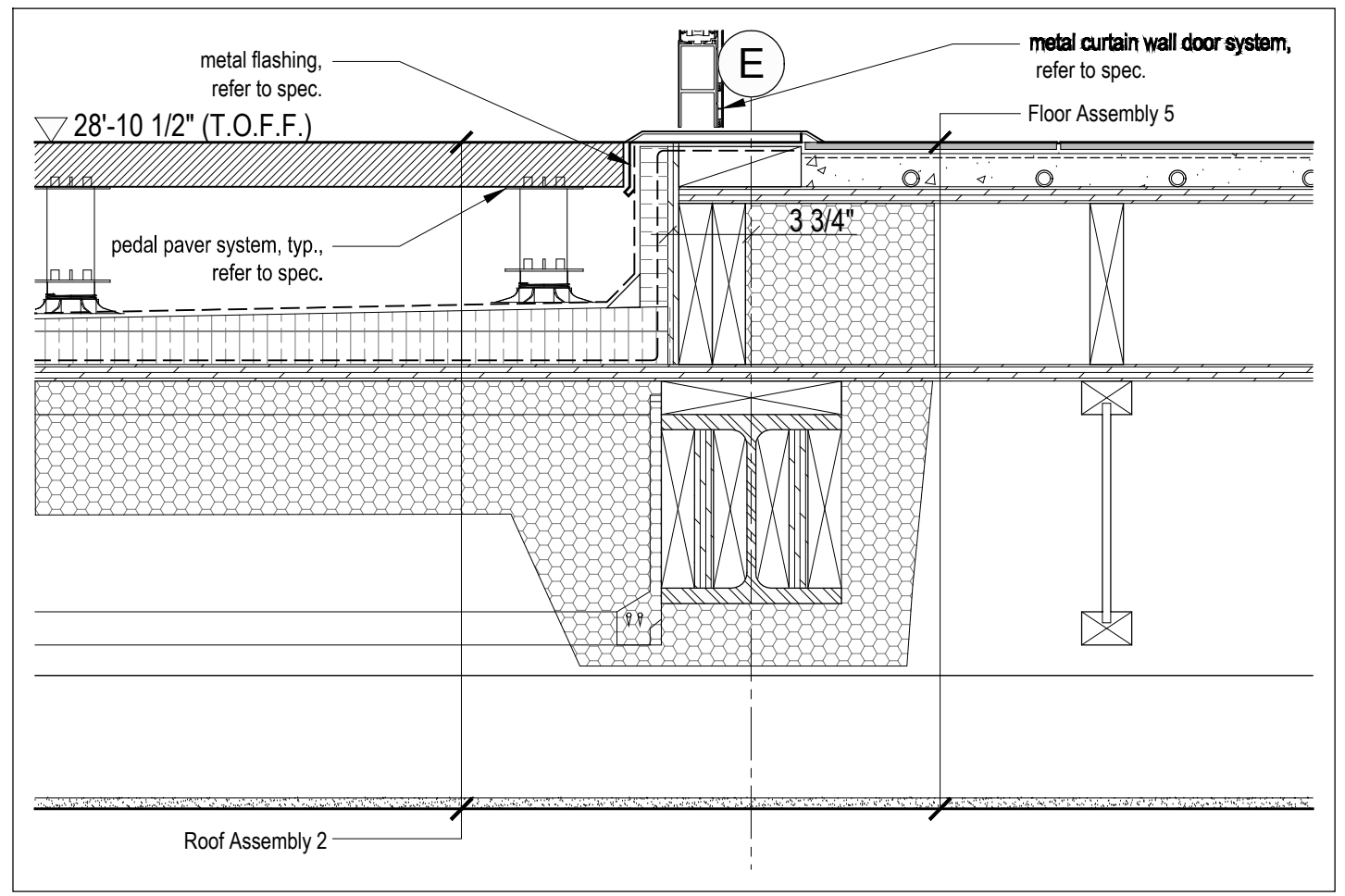
3 Nana-wall Sill Detail
Scale 1 1/2" = 1'-0"



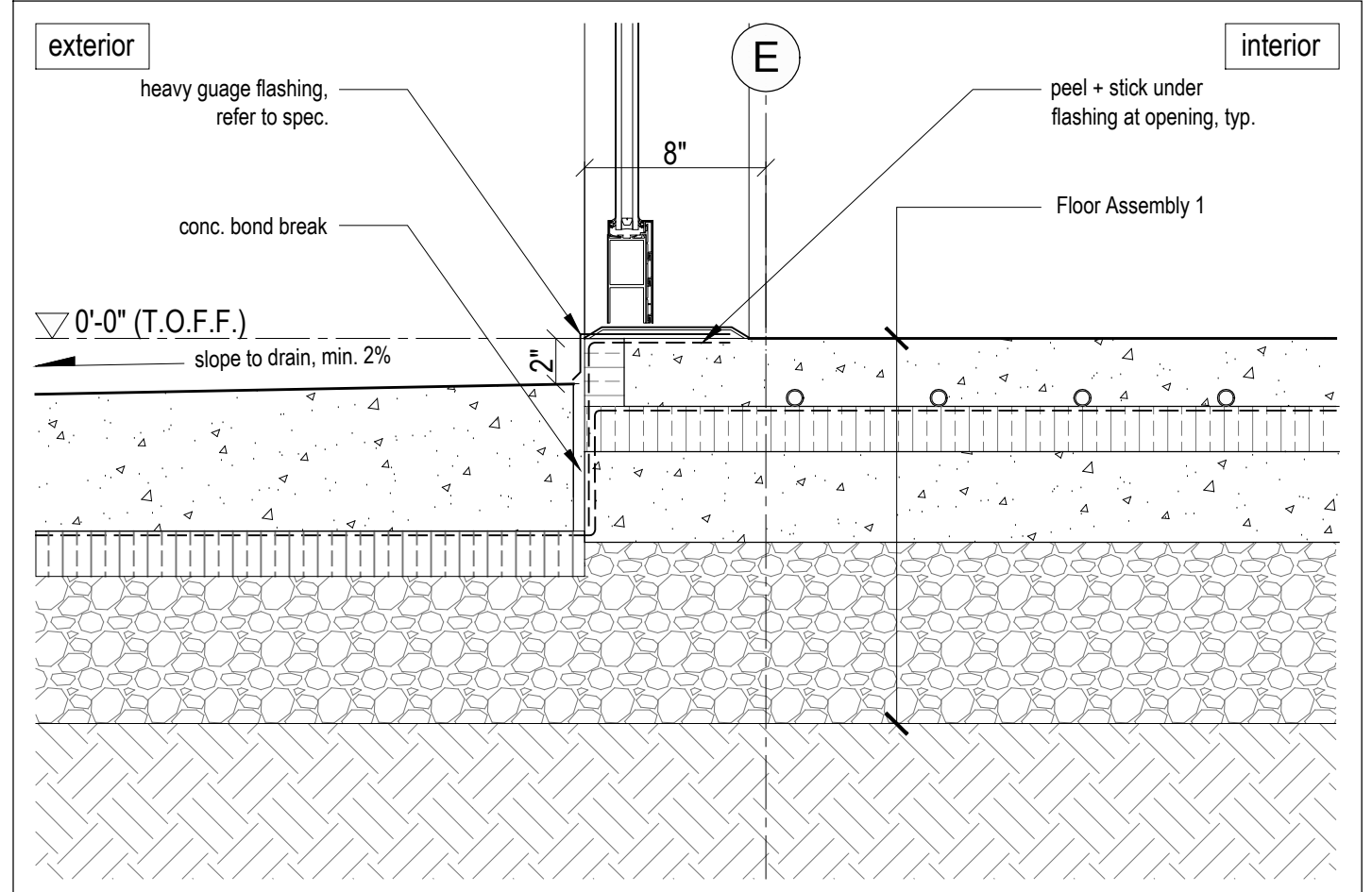
8 Living Room Bottom of Curtain Wall/Cantilever Detail
Scale 1 1/2" = 1'-0"



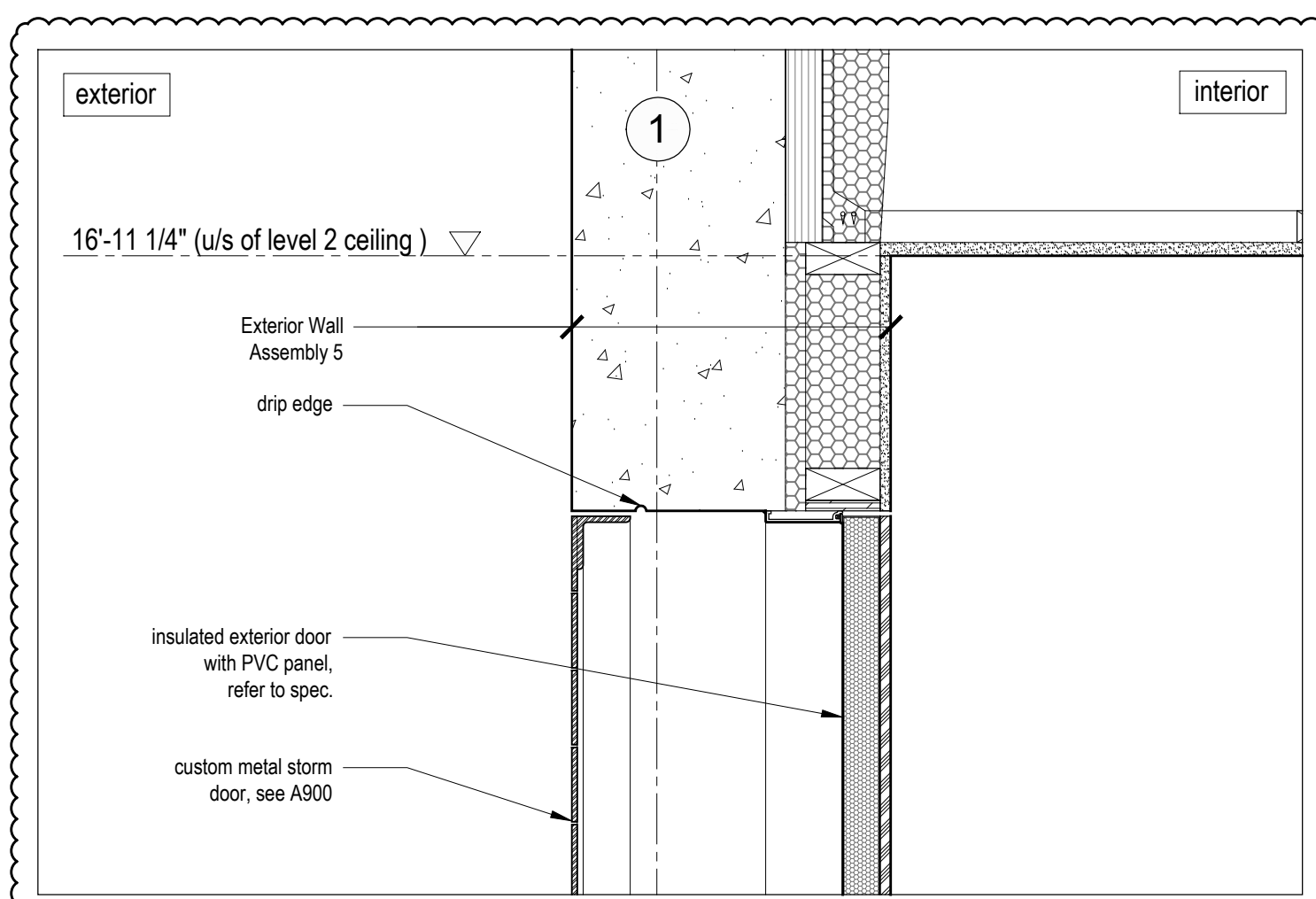
5 Living Room Bottom of Curtain Wall Detail
Scale 1 1/2" = 1'-0"



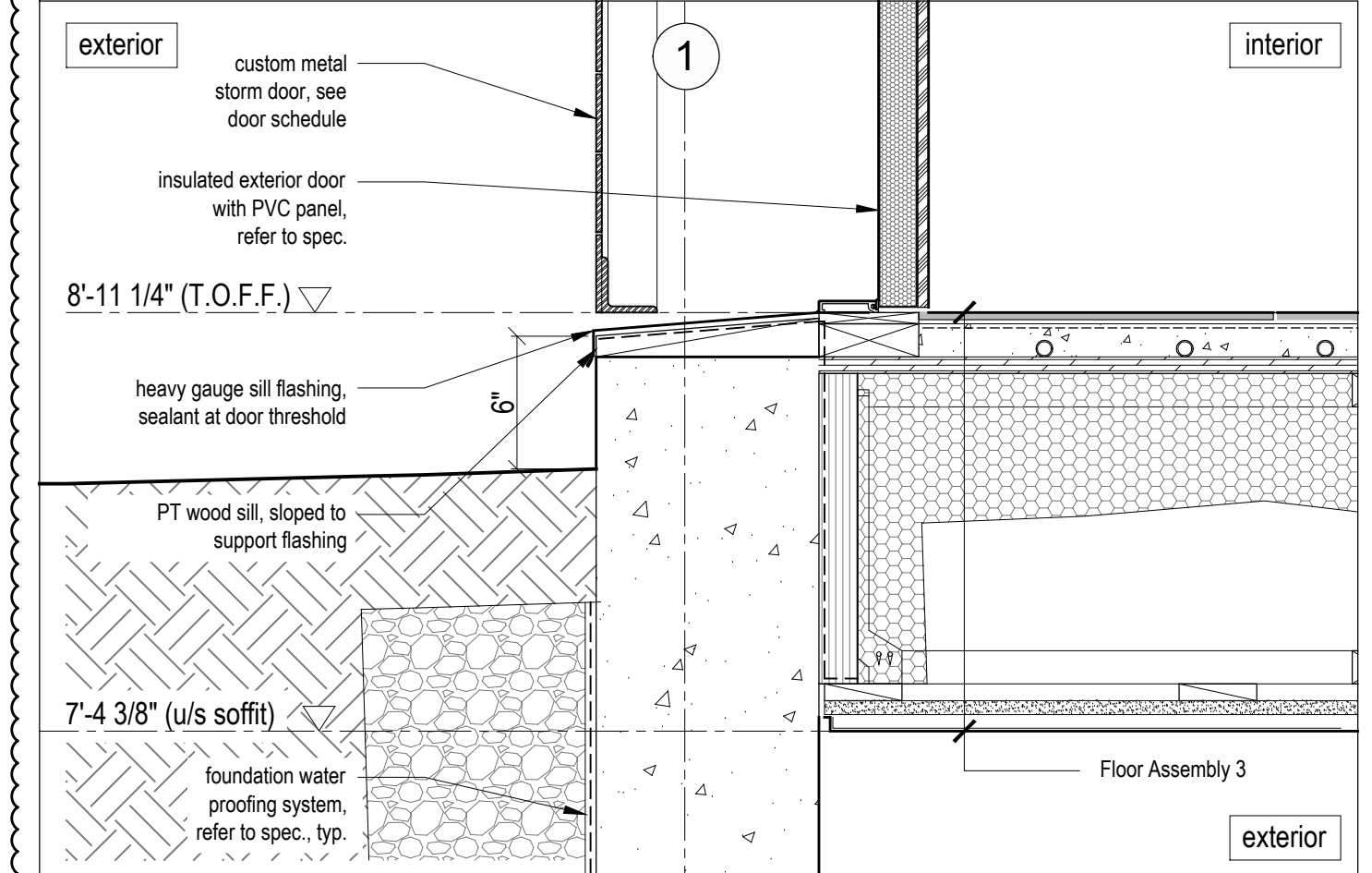
2 Typical Deck/Door Threshold Detail
Scale 1 1/2" = 1'-0"



1 Typical Garage Slab/Door Threshold Detail
Scale 1 1/2" = 1'-0"



11 Egress Door Sill
Scale 1 1/2" = 1'-0"



11 Egress Door Sill
Scale 1 1/2" = 1'-0"

No.	Description	Date
3	Issued for Construction	2018.03.13
2	Issued for Tender	2017.12.22
1	for coordination	2017.12.1

Revision:

NOTES:
COPYRIGHT RELATED TO THE USE OF THIS DRAWING:
The use of this drawing shall be governed by standard copyright law as generally accepted in architectural practice.

ARCHITECT'S REQUIREMENTS AND APPROVALS:
It is the Builder's responsibility to notify Mackay-Lyons Sweetapple Architects Ltd. and to seek prior written approval for materials and workmanship which deviates from instructions provided by the Architect.

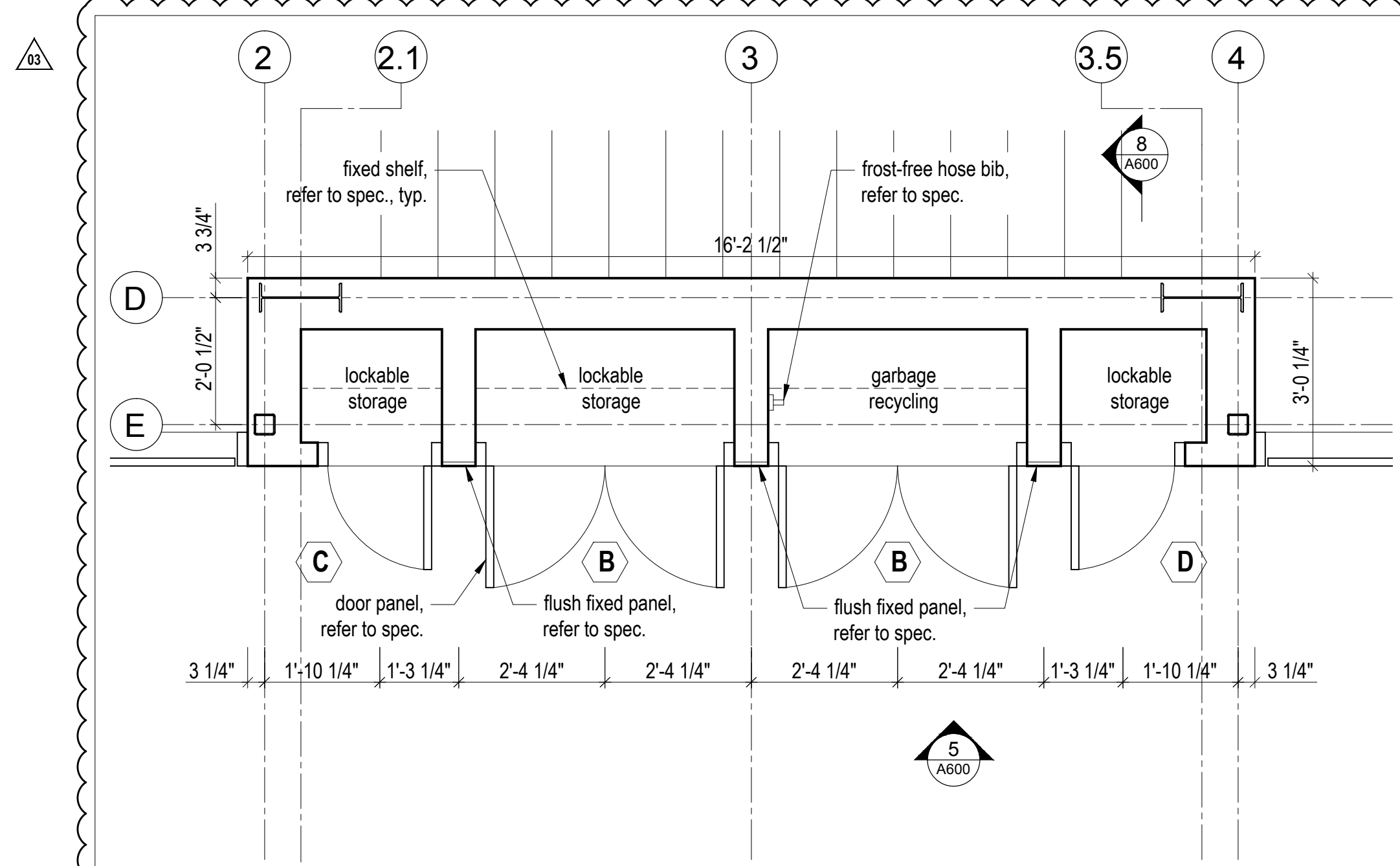
ENGINEER'S REQUIREMENTS AND APPROVALS:
It is the Builder's responsibility to notify Mackay-Lyons Sweetapple Architects Ltd. and to seek prior written approval for materials and workmanship which deviates from instructions provided by the Engineer.

AUTHORITIES' REQUIREMENTS AND APPROVALS:
All materials and workmanship must comply with the requirements of all authorities having jurisdiction over the work. It is the Builder's responsibility to gain necessary approval from all relevant Authorities.

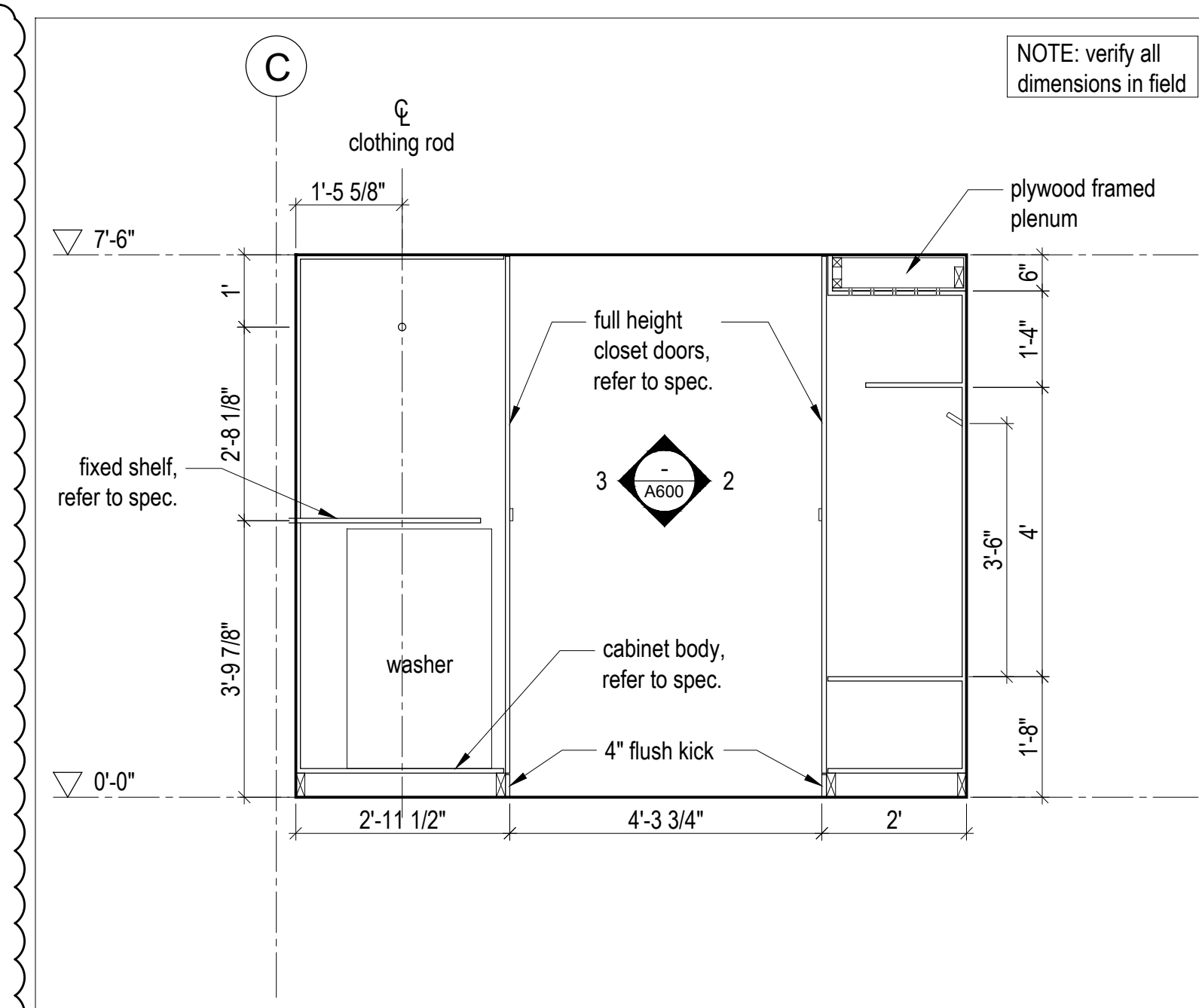
DIMENSIONS:
All dimensions must be verified on site. Do not scale off drawings. Plans take precedent over elevations. In the absence of dimensions, or if discrepancies exist, consult Architect. All minimum dimensions are to comply with the International Residential Code.

SHOP DRAWINGS:
Submit shop drawings to the Architect and Engineer for approval prior to manufacture of prefabricated elements of the building.

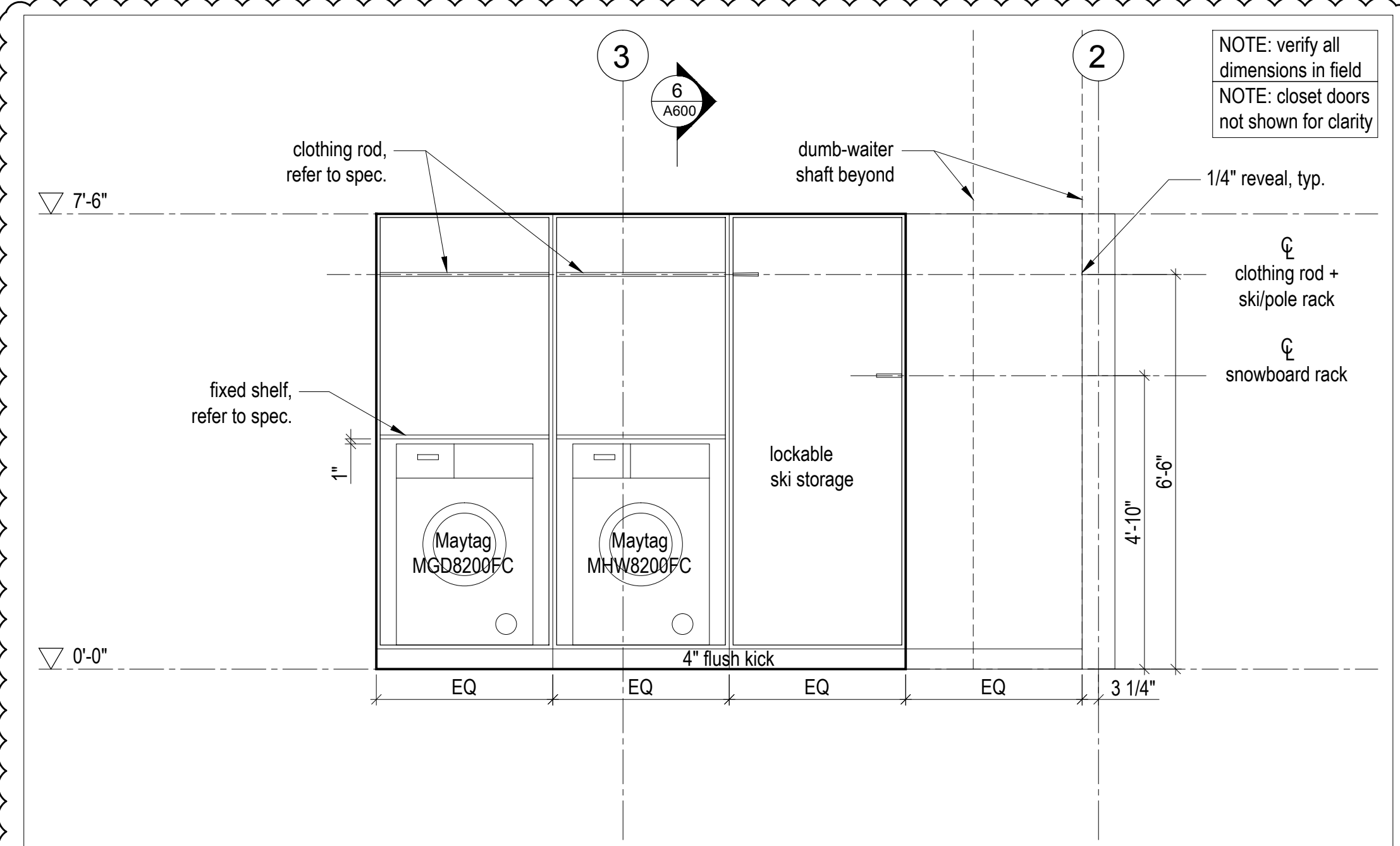
Section Details



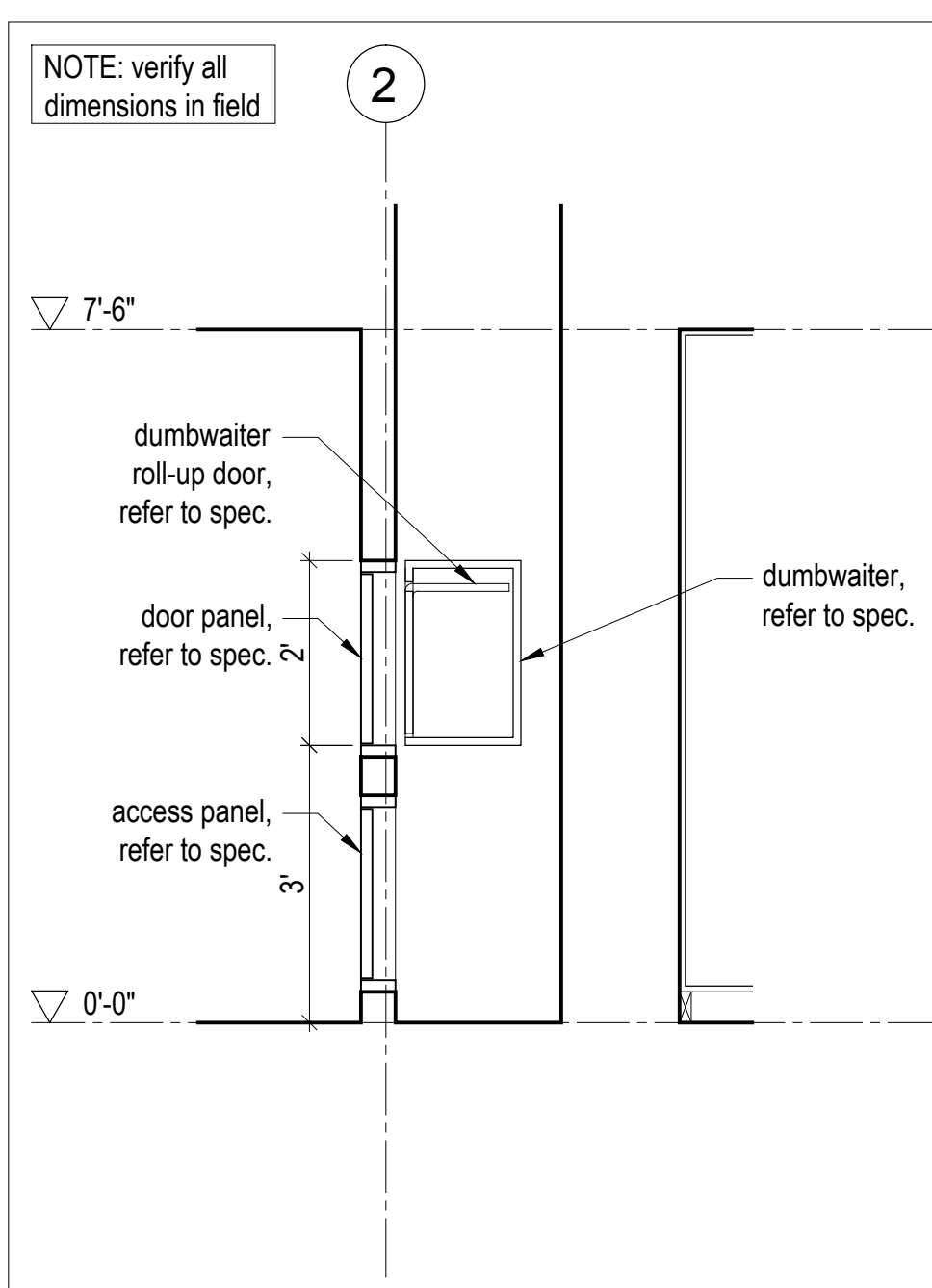
9 Garage Closet - Enlarged Plan
Scale 1/2" = 1'-0"



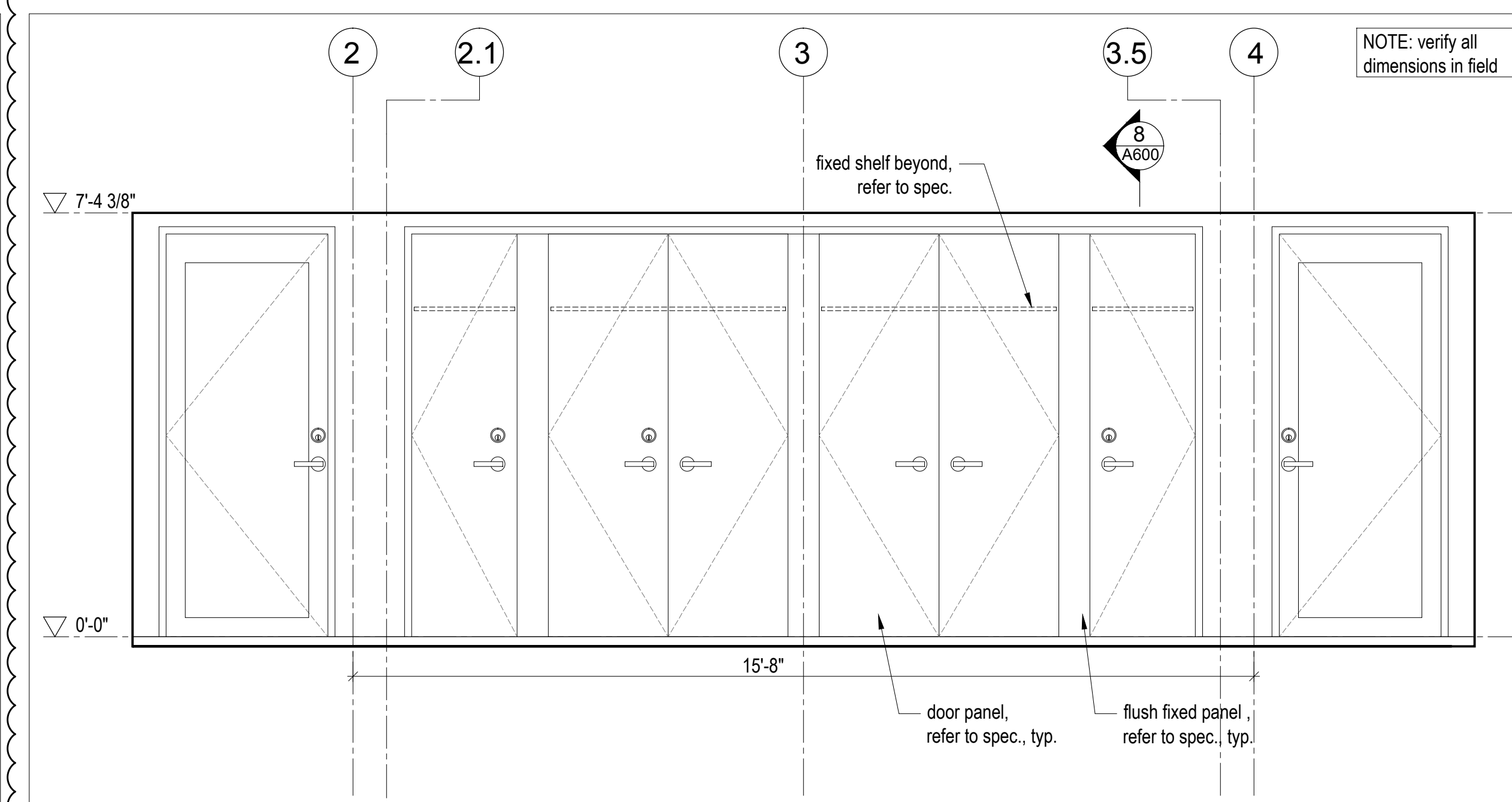
6 Laundry/Ski Equipment Closet- Section Detail
Scale 1/2" = 1'-0"



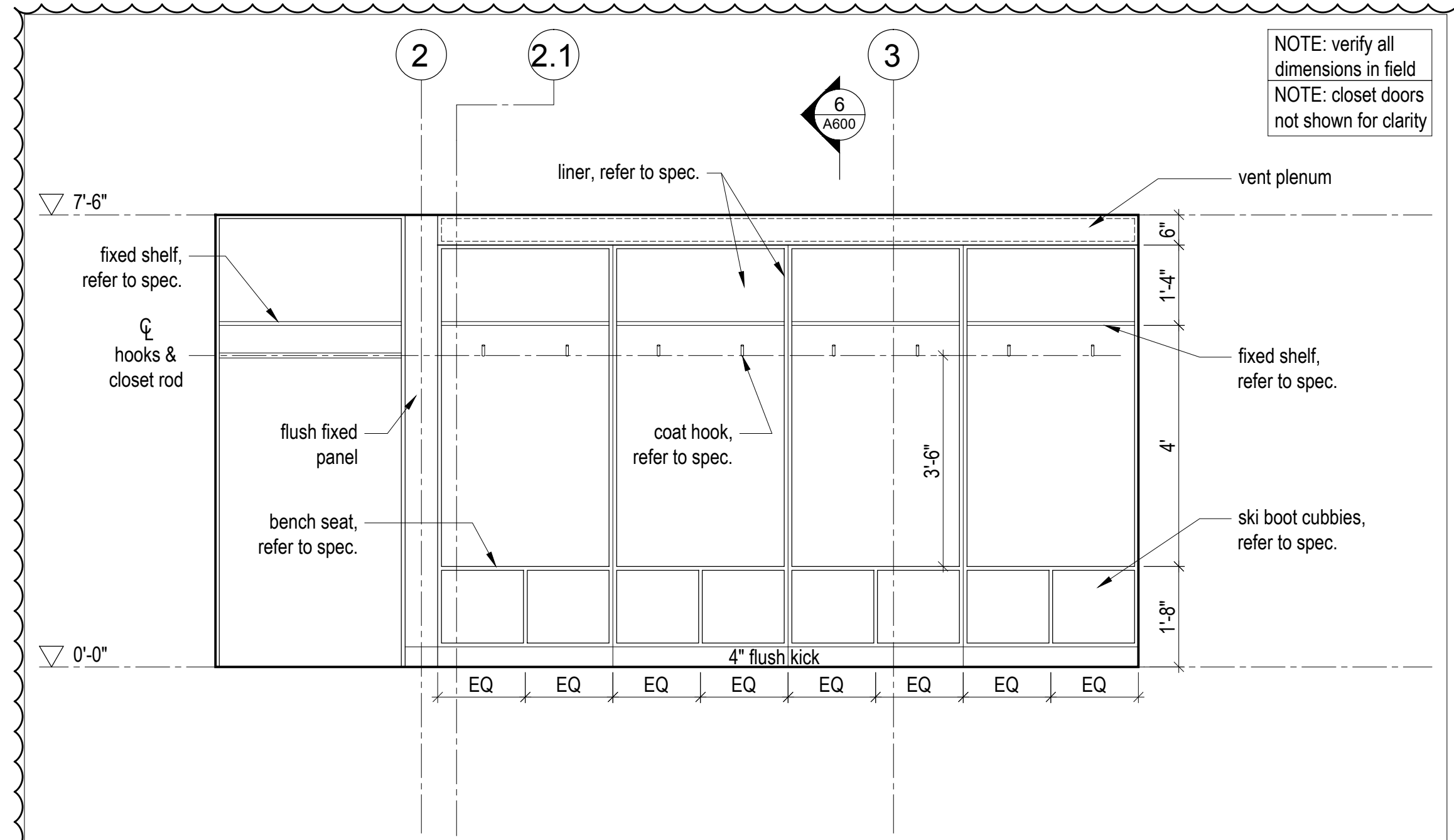
3 Laundry/Ski Equipment Closet - Elevation
Scale 1/2" = 1'-0"



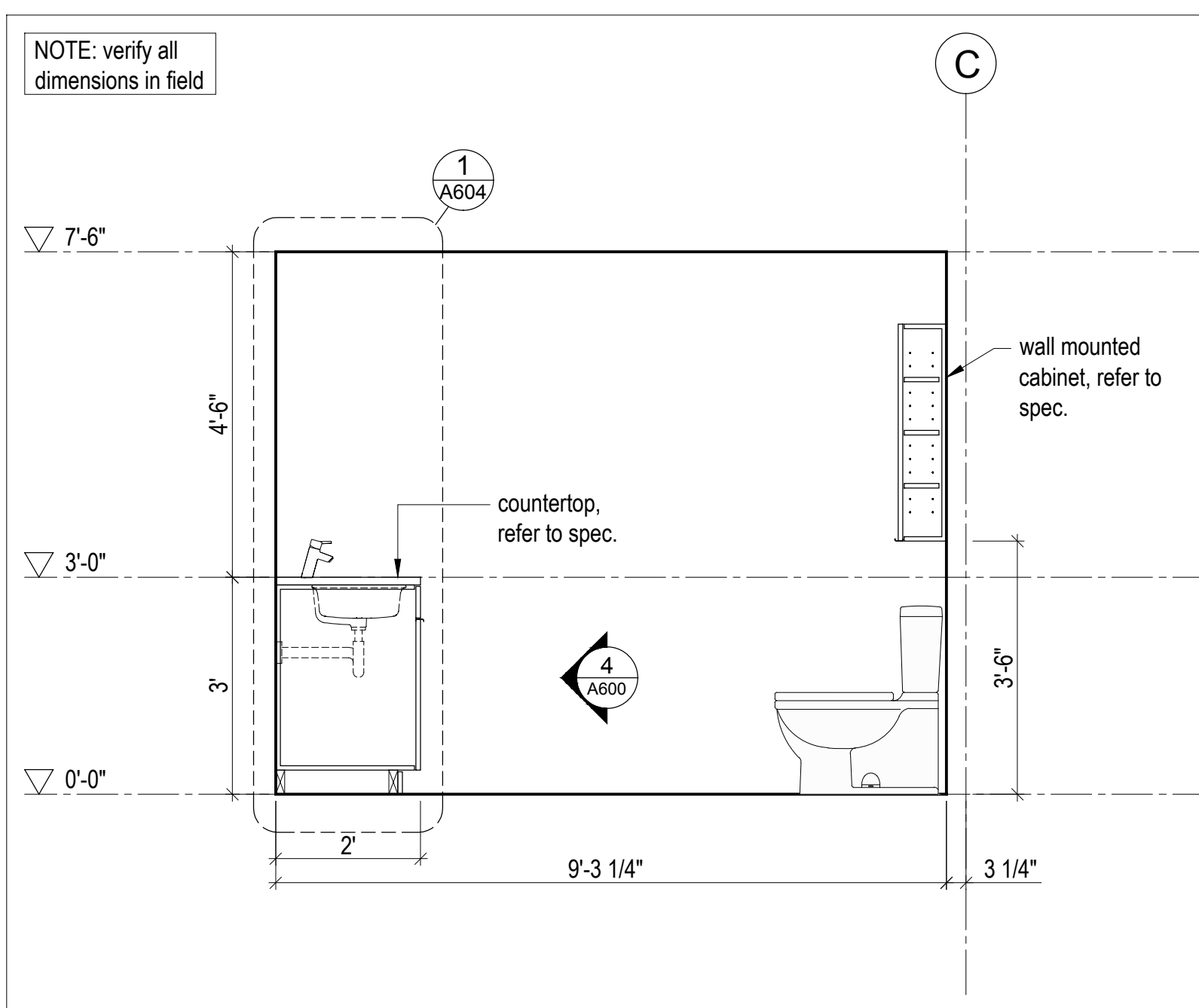
8 Dumbwaiter - Section Detail
Scale 1/2" = 1'-0"



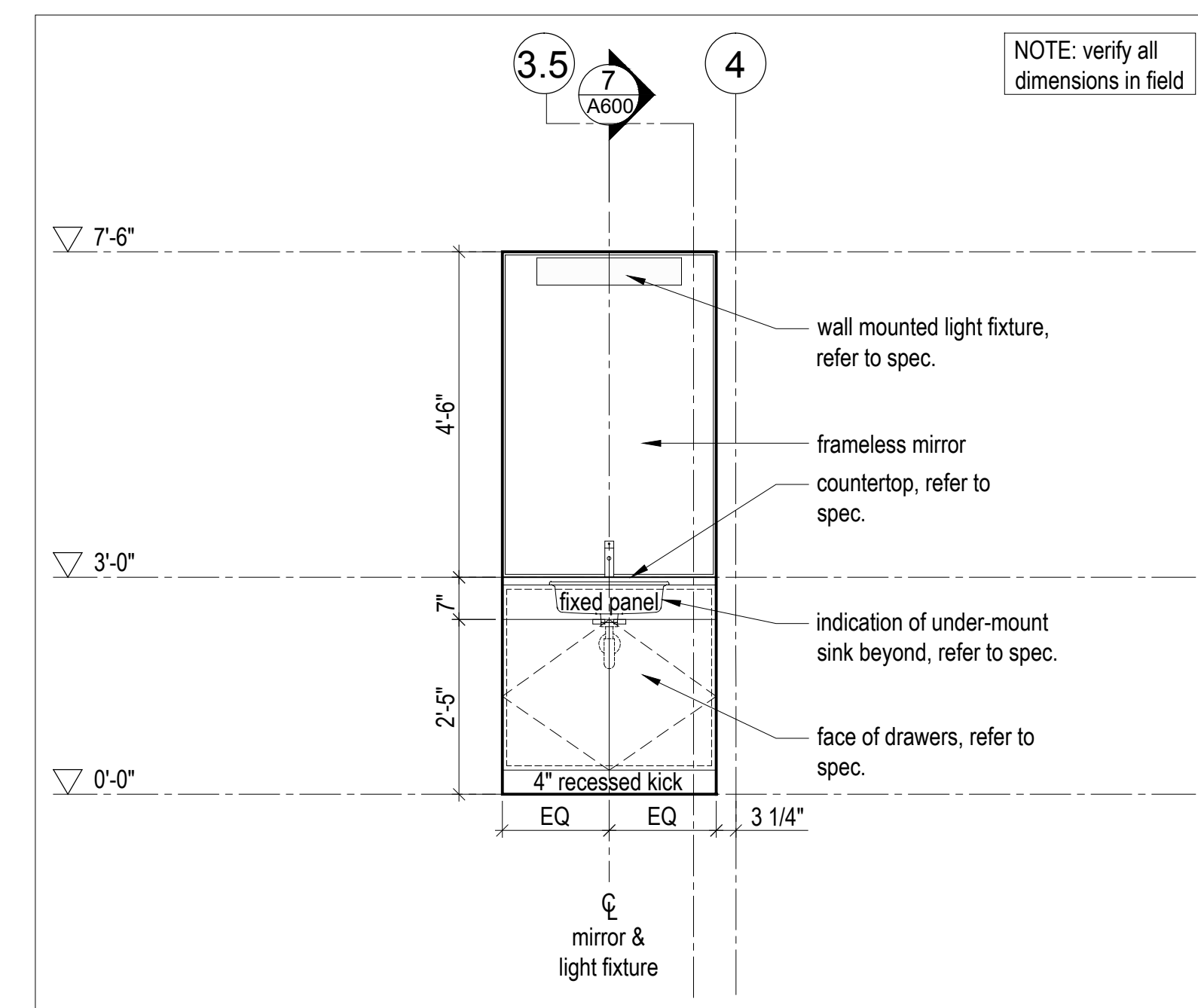
5 Garage Closet - Section Detail
Scale 1/2" = 1'-0"



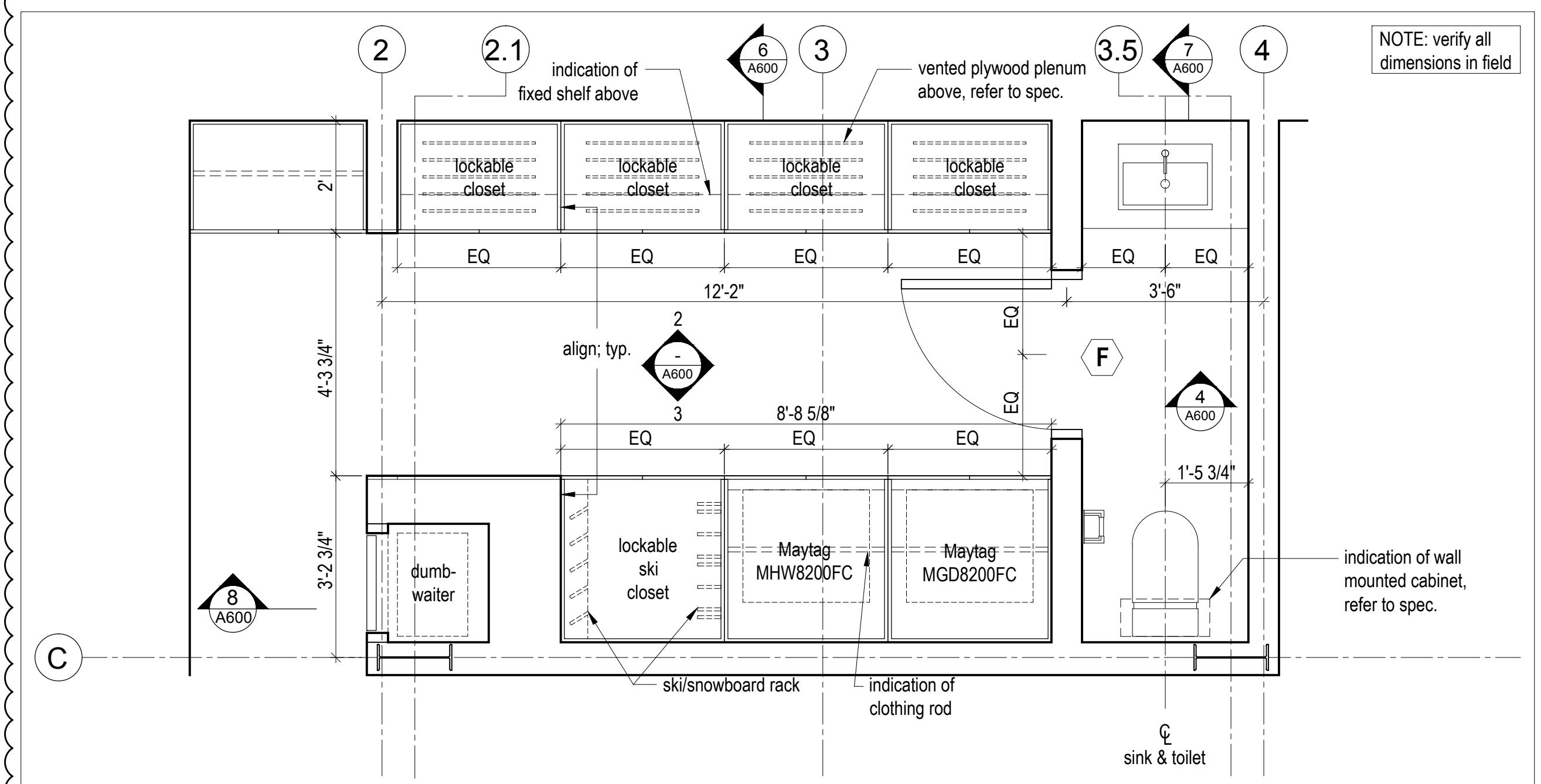
2 Ski Equipment Closet - Elevation
Scale 1/2" = 1'-0"



7 Bathroom - Section Detail
Scale 1/2" = 1'-0"



4 Bathroom - Elevation
Scale 1/2" = 1'-0"



1 Bathroom - Enlarged Plan
Scale 1/2" = 1'-0"

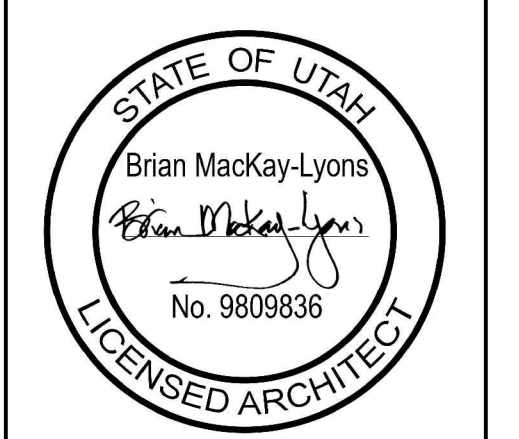
Lot 71R
Village Houses

Summit Powder Mountain
Evan, Utah

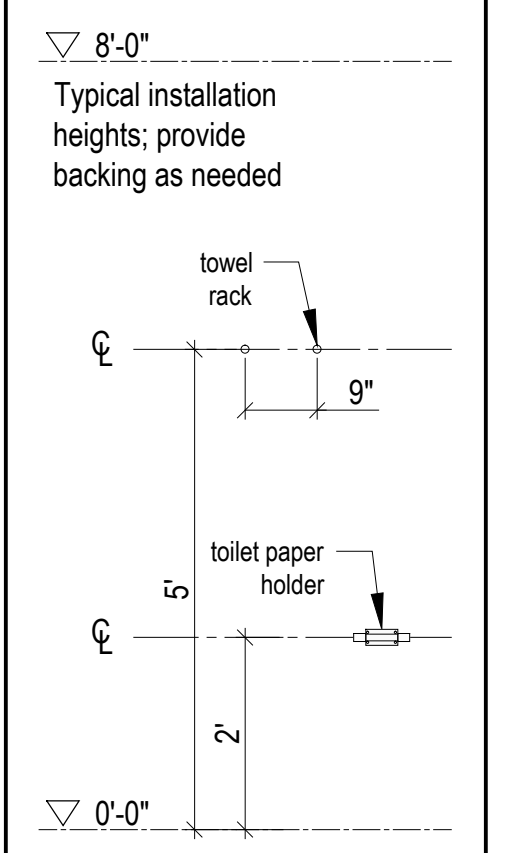
MacKay-Lyons
Sweetapple
Architects
Limited

2188 Göttingen St.
Halifax, Nova Scotia
Canada B3K 3B4

ph: (902) 429-1867
fax: (902) 429-6276



NOTE: all dimensions to be verified in field



No.	Description	Date
3	Issued for Construction	2018.03.13
2	Issued for Tender	2017.12.22
1	for coordination	2017.12.1

Revisions:

NOTES:
COPYRIGHT RELATED TO THE USE OF THIS DRAWING:
The use of this drawing shall be governed by standard copyright law as generally accepted in architectural practice.

ARCHITECT'S REQUIREMENTS AND APPROVALS:
It is the Builder's responsibility to notify MacKay-Lyons Sweetapple Architects Ltd. and to seek prior written approval for materials and workmanship which deviates from instructions provided by the Architect.

ENGINEER'S REQUIREMENTS AND APPROVALS:
It is the Builder's responsibility to notify MacKay-Lyons Sweetapple Architects Ltd. and to seek prior written approval for materials and workmanship which deviates from instructions provided by the Engineer.

AUTHORITIES' REQUIREMENTS AND APPROVALS:
All materials and workmanship must comply with the requirements of all authorities having jurisdiction over the work. It is the Builder's responsibility to gain necessary approval from all relevant Authorities.

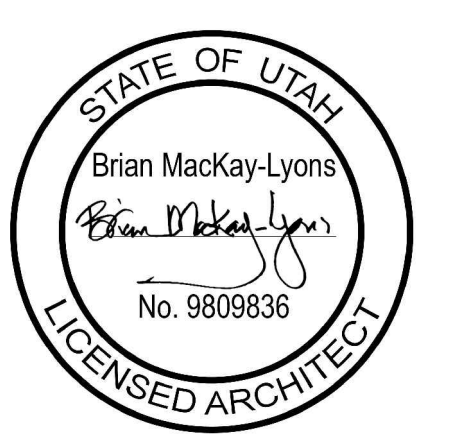
DIMENSIONS:
All dimensions must be verified on site. Do not scale off drawings. Plans take precedent over elevations. In the absence of dimensions, or if discrepancies exist, consult Architect. All minimum dimensions are to comply with the International Residential Code.

SHOP DRAWINGS:
Submit shop drawings to the Architect and Engineer for approval prior to manufacture of prefabricated elements of the building.

Millwork - Ground Floor

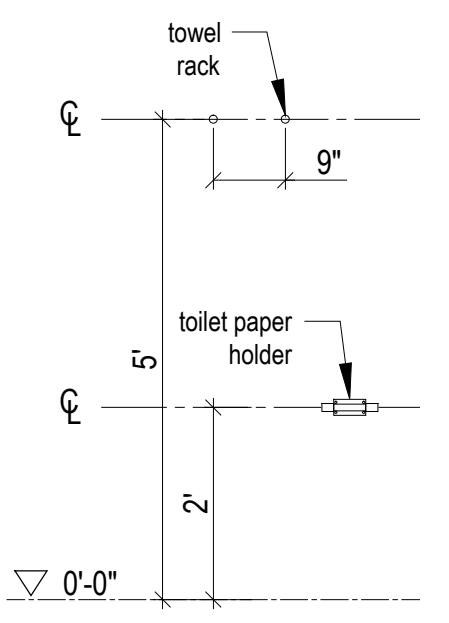
scale: 1/2" = 1'-0"
date: 17-11-23
drawn: RD
chk'd: BML

A600



NOTE: all dimensions to be verified in field

▽ 8'-0"
Typical installation heights; provide backing as needed



No.	Description	Date
3	Issued for Construction	2018.03.13
2	Issued for Tender	2017.12.22
1	for coordination	2017.12.1

Revision:

NOTES:
COPYRIGHT RELATED TO THE USE OF THIS DRAWING:
The use of this drawing shall be governed by standard copyright law as generally accepted in architectural practice.

ARCHITECT'S REQUIREMENTS AND APPROVALS:
It is the Builder's responsibility to notify Mackay-Lyons Sweetapple Architects Ltd. and to seek prior written approval for materials and workmanship which deviates from instructions provided by the Architect.

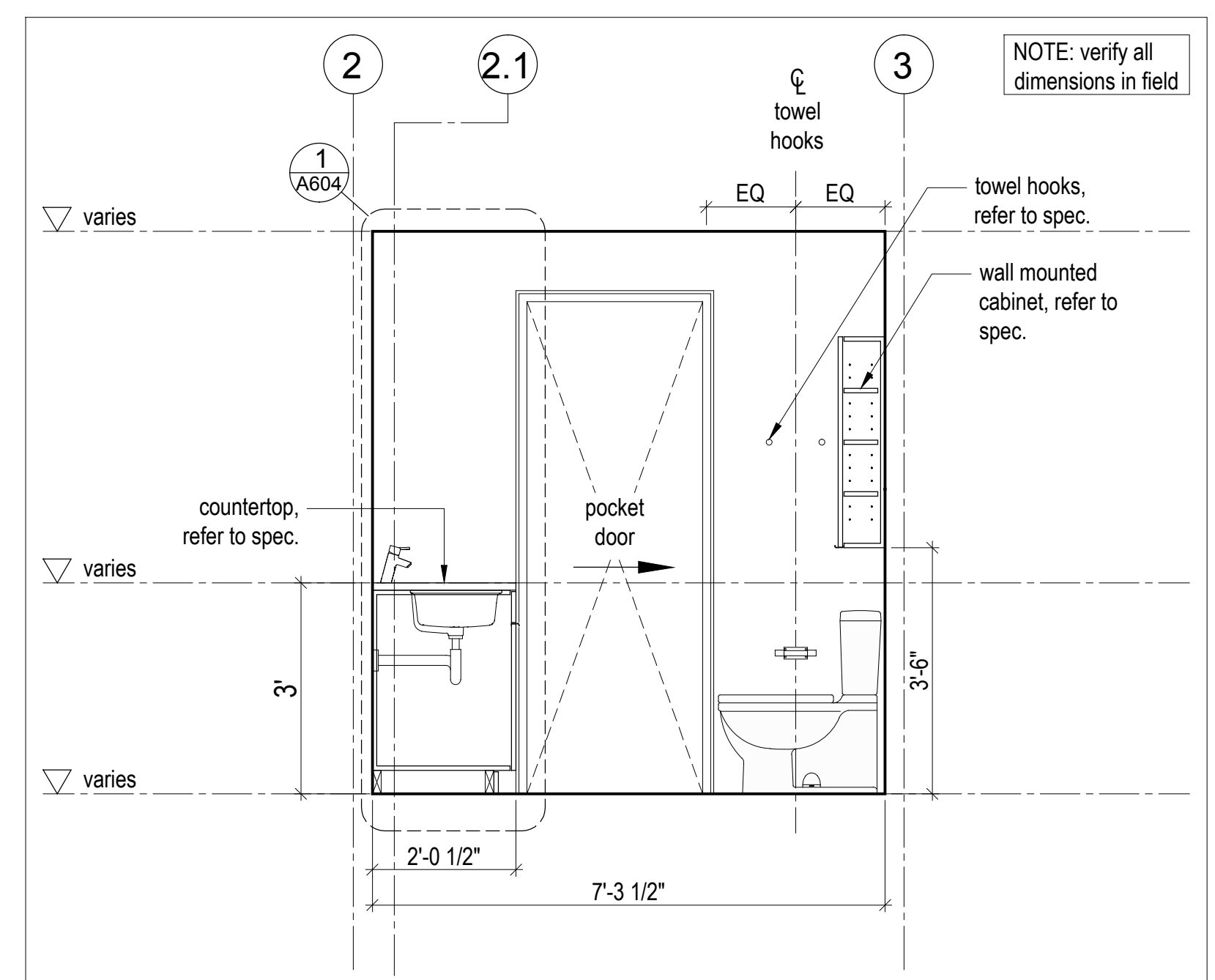
ENGINEER'S REQUIREMENTS AND APPROVALS:
It is the Builder's responsibility to notify Mackay-Lyons Sweetapple Architects Ltd. and to seek prior written approval for materials and workmanship which deviates from instructions provided by the Engineer.

AUTHORITIES' REQUIREMENTS AND APPROVALS:
All materials and workmanship must comply with the requirements of all authorities having jurisdiction over the work. It is the Builder's responsibility to gain necessary approval from all relevant Authorities.

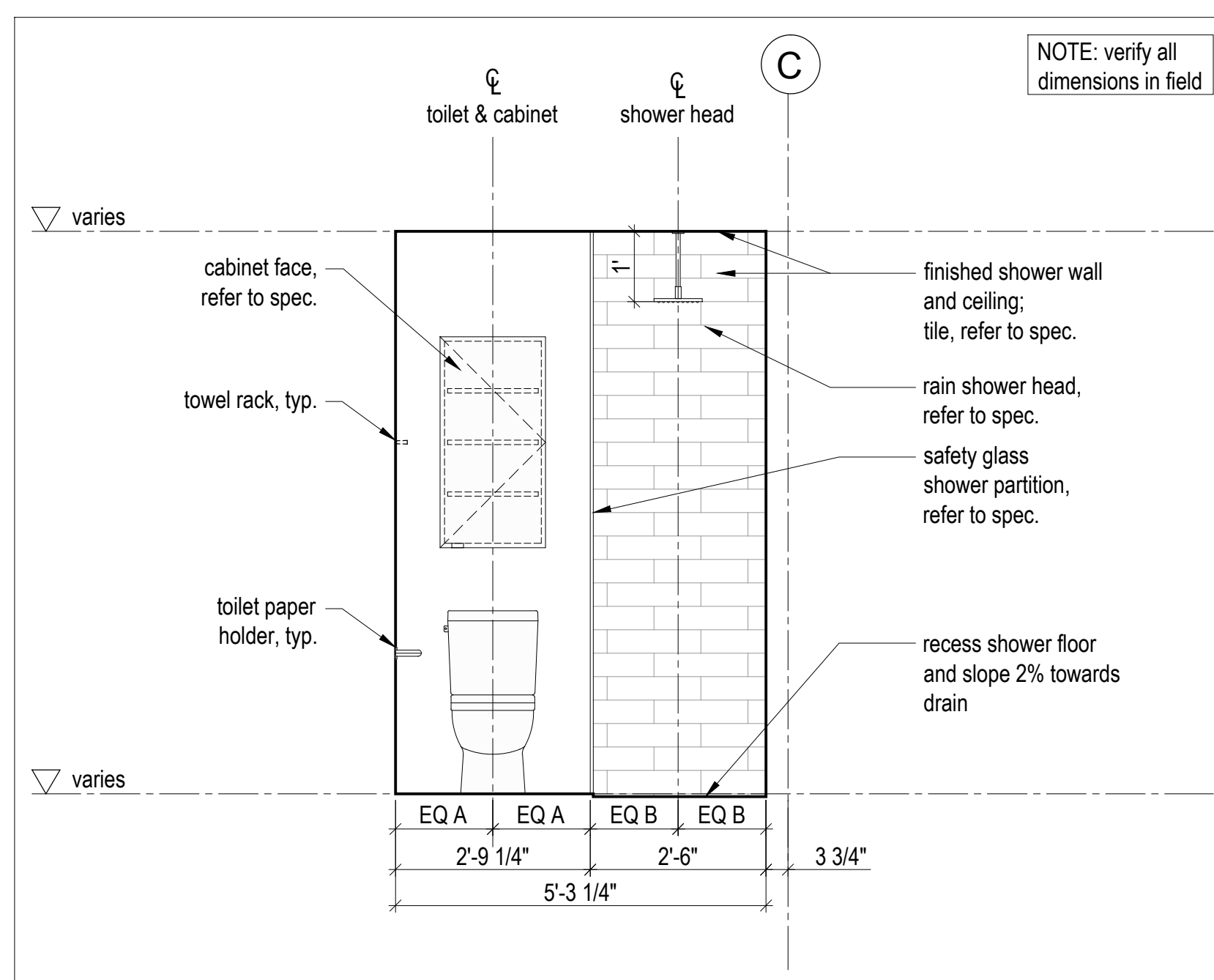
DIMENSIONS:
All dimensions must be verified on site. Do not scale off drawings. Plans take precedent over elevations. In the absence of dimensions, or if discrepancies exist, consult Architect. All minimum dimensions are to comply with the International Residential Code.

SHOP DRAWINGS:
Submit shop drawings to the Architect and Engineer for approval prior to manufacture of prefabricated elements of the building.

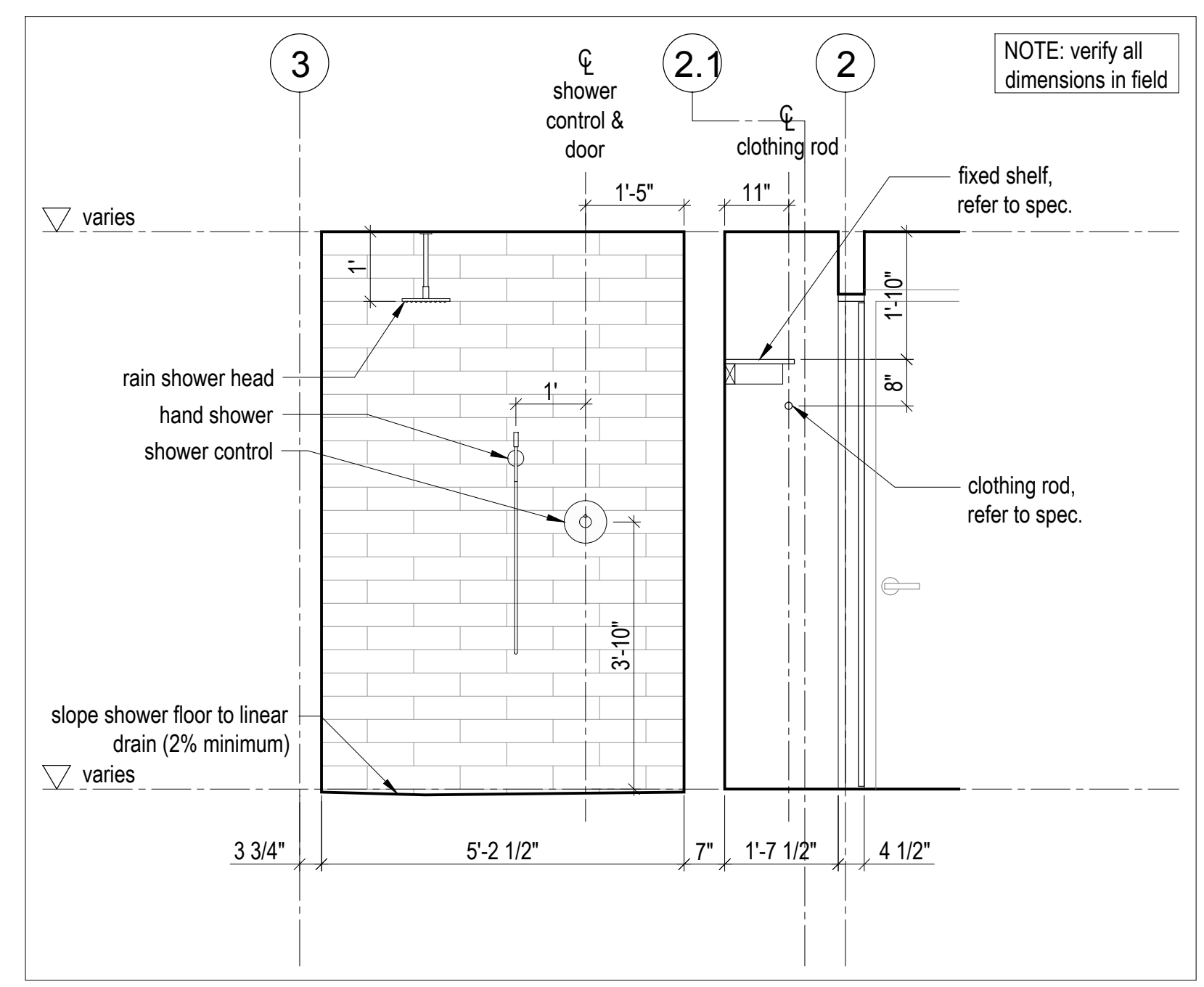
Millwork -
Second Floor



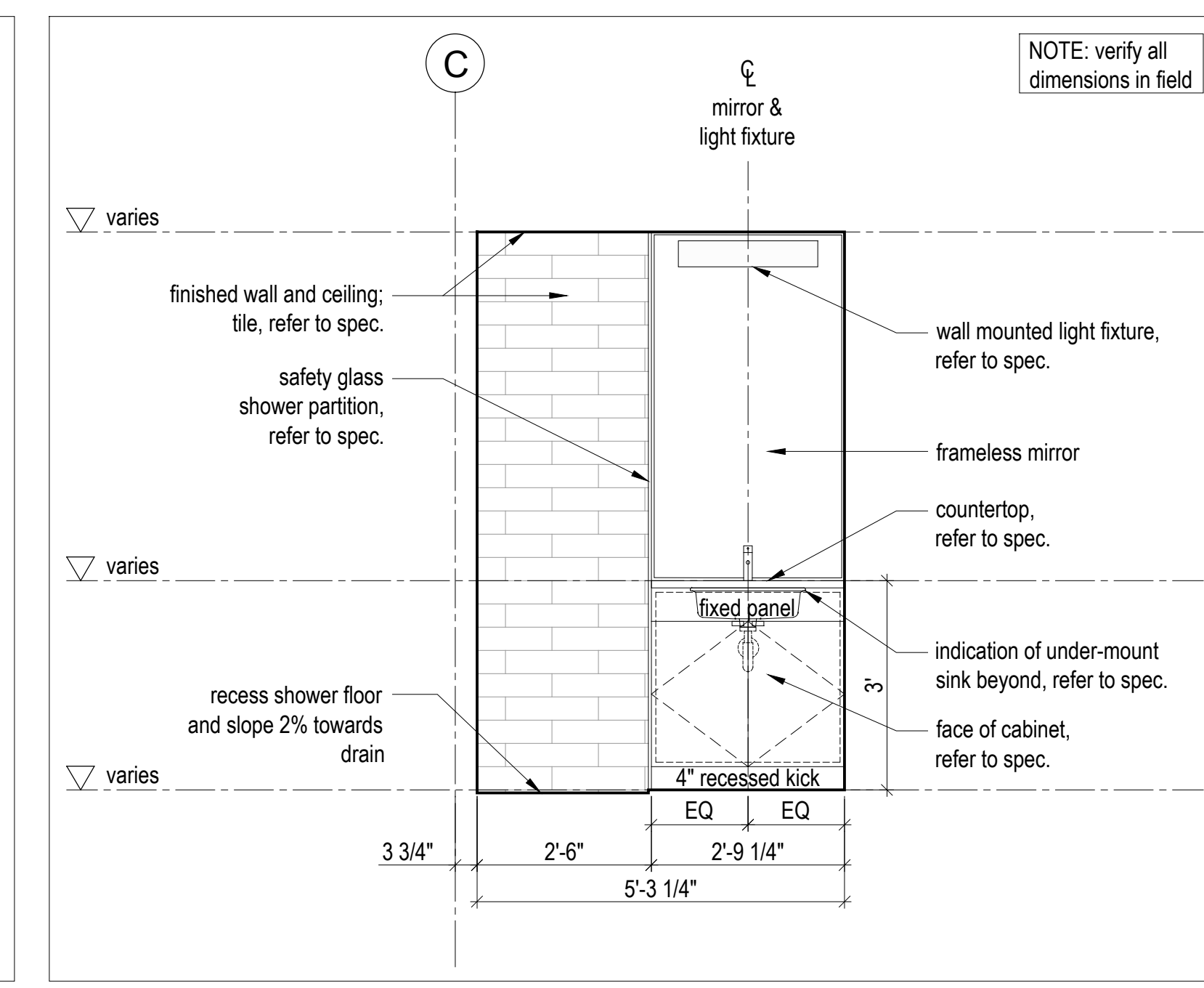
3
Ensuite - Section Detail, Typ.
Scale 1/2" = 1'-0"



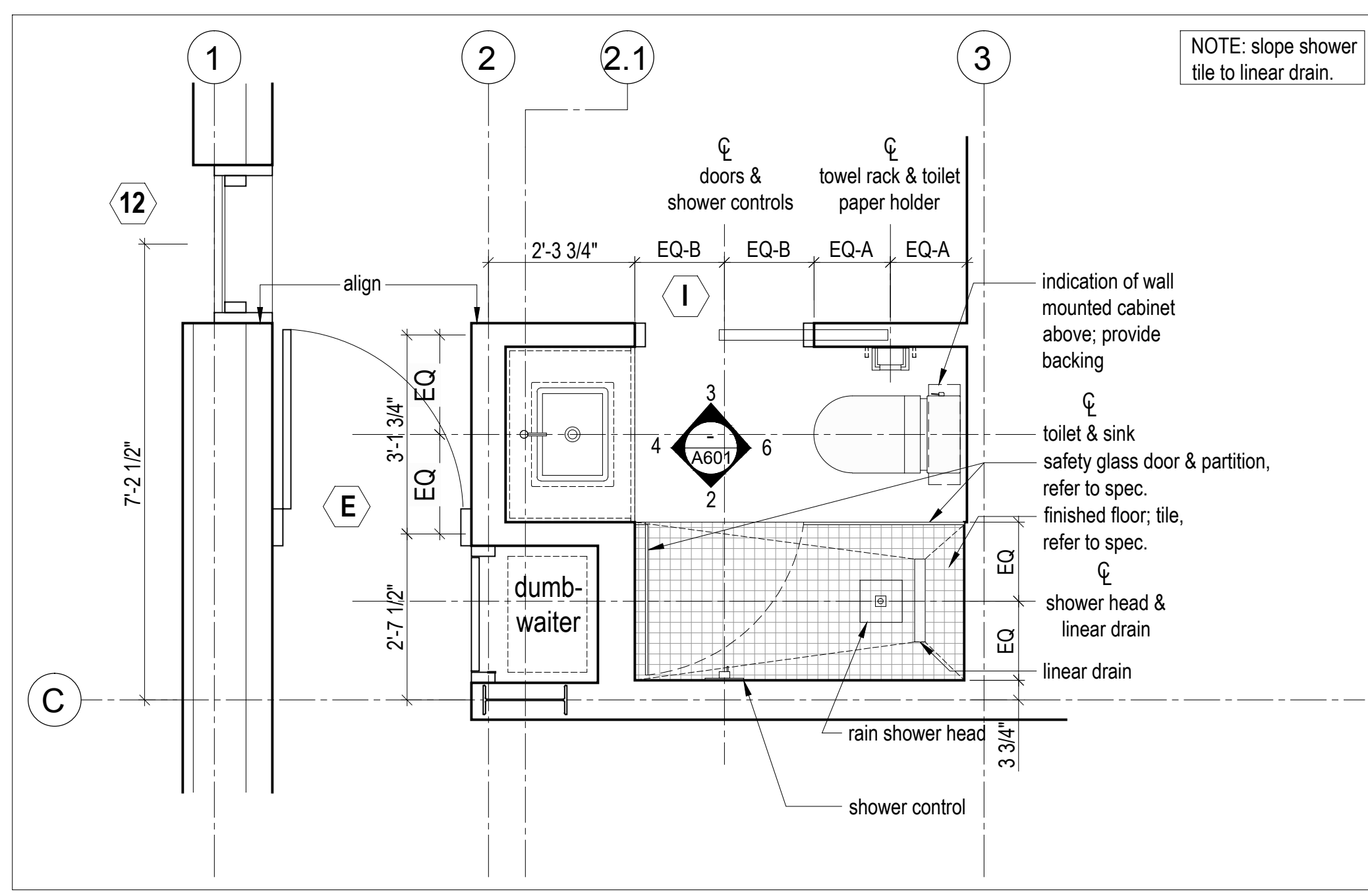
6
Ensuite - Elevation, Typ.
Scale 1/2" = 1'-0"



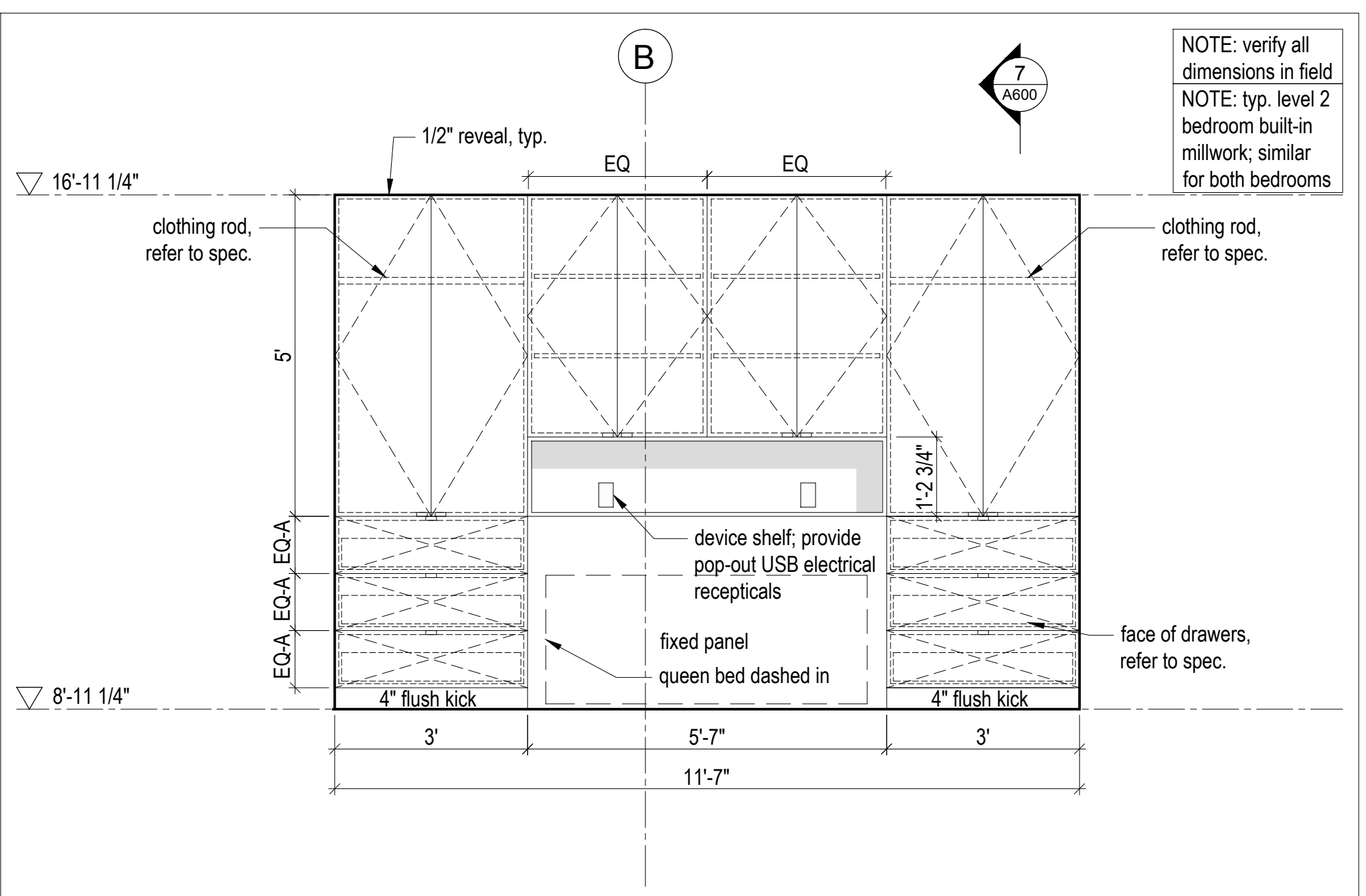
2
Ensuite - Elevation, Typ.
Scale 1/2" = 1'-0"



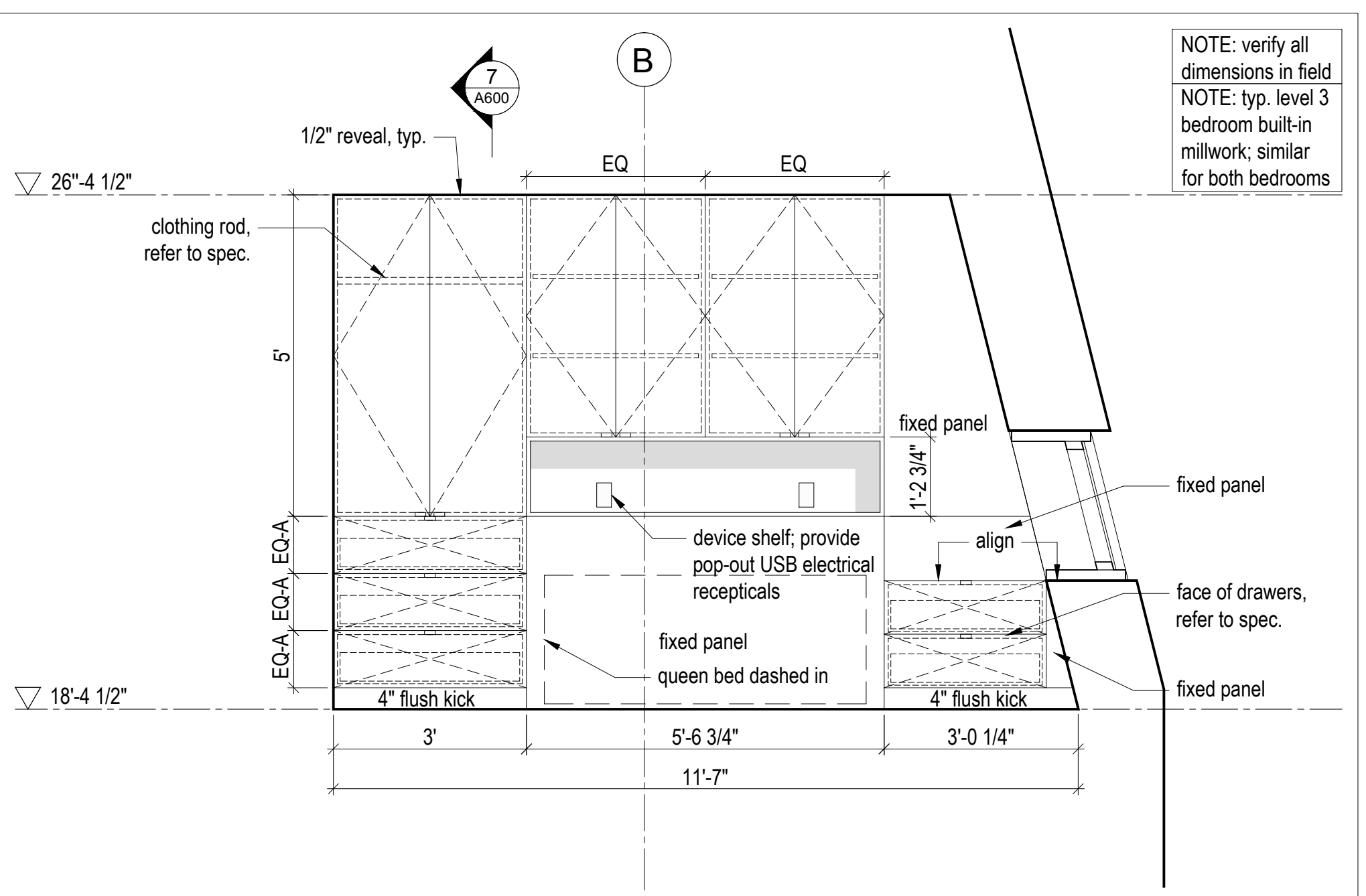
5
Ensuite - Elevation, Typ.
Scale 1/2" = 1'-0"



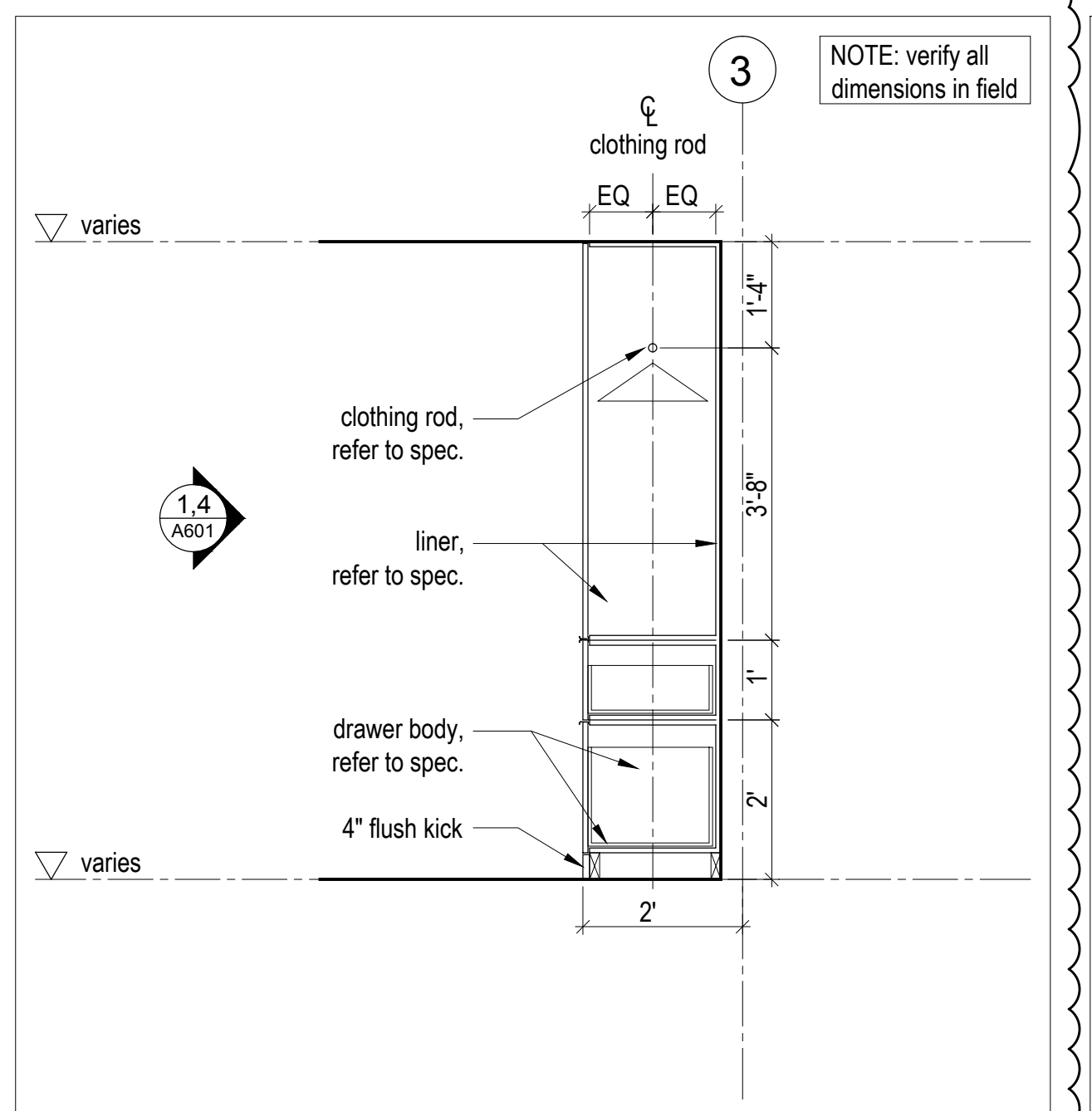
8
Ensuite - Enlarged Plan, Typ.
Scale 1/2" = 1'-0"



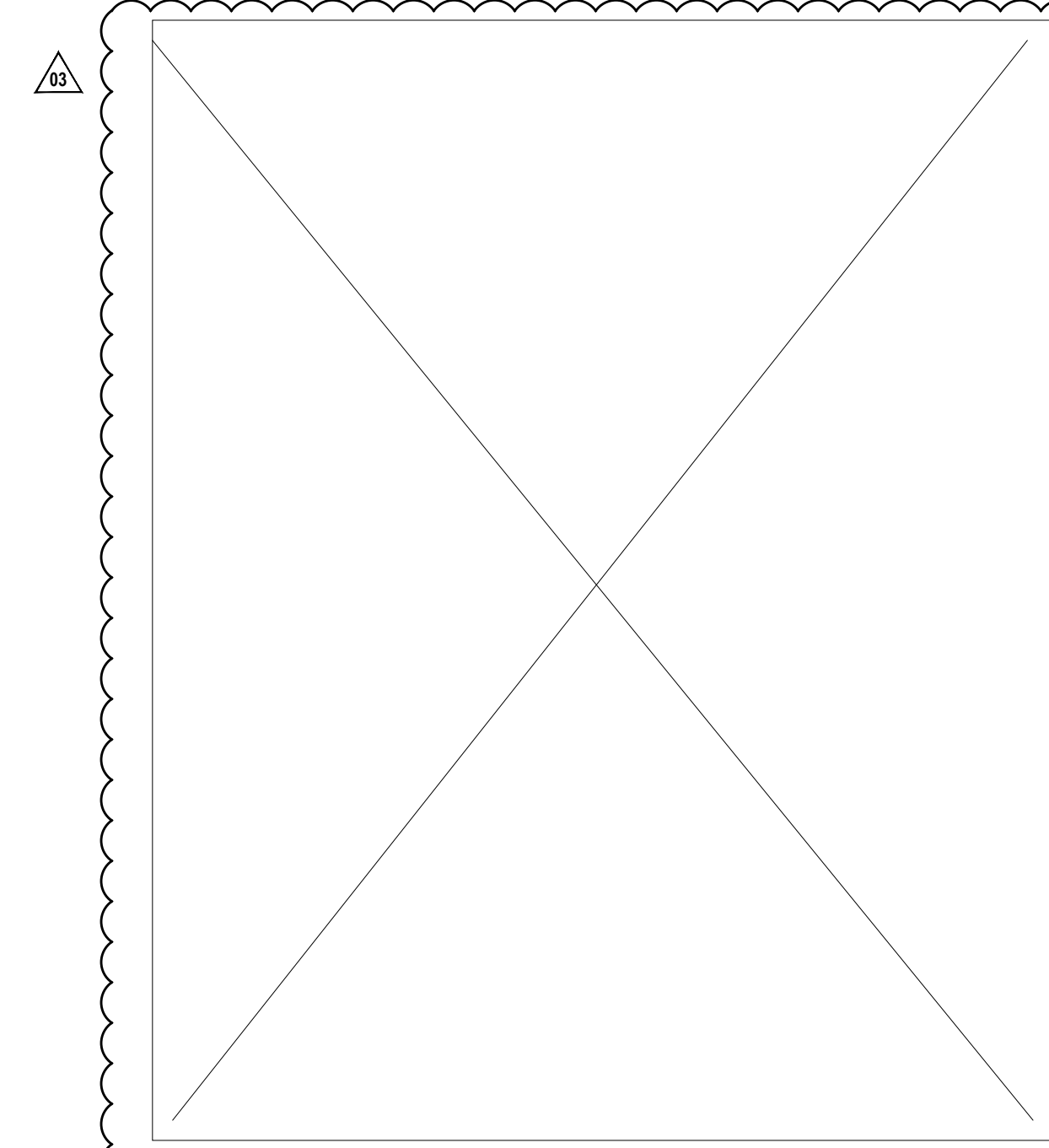
1
Bedroom 1 & 2 Built-Ins - Elevation
Scale 1/2" = 1'-0"



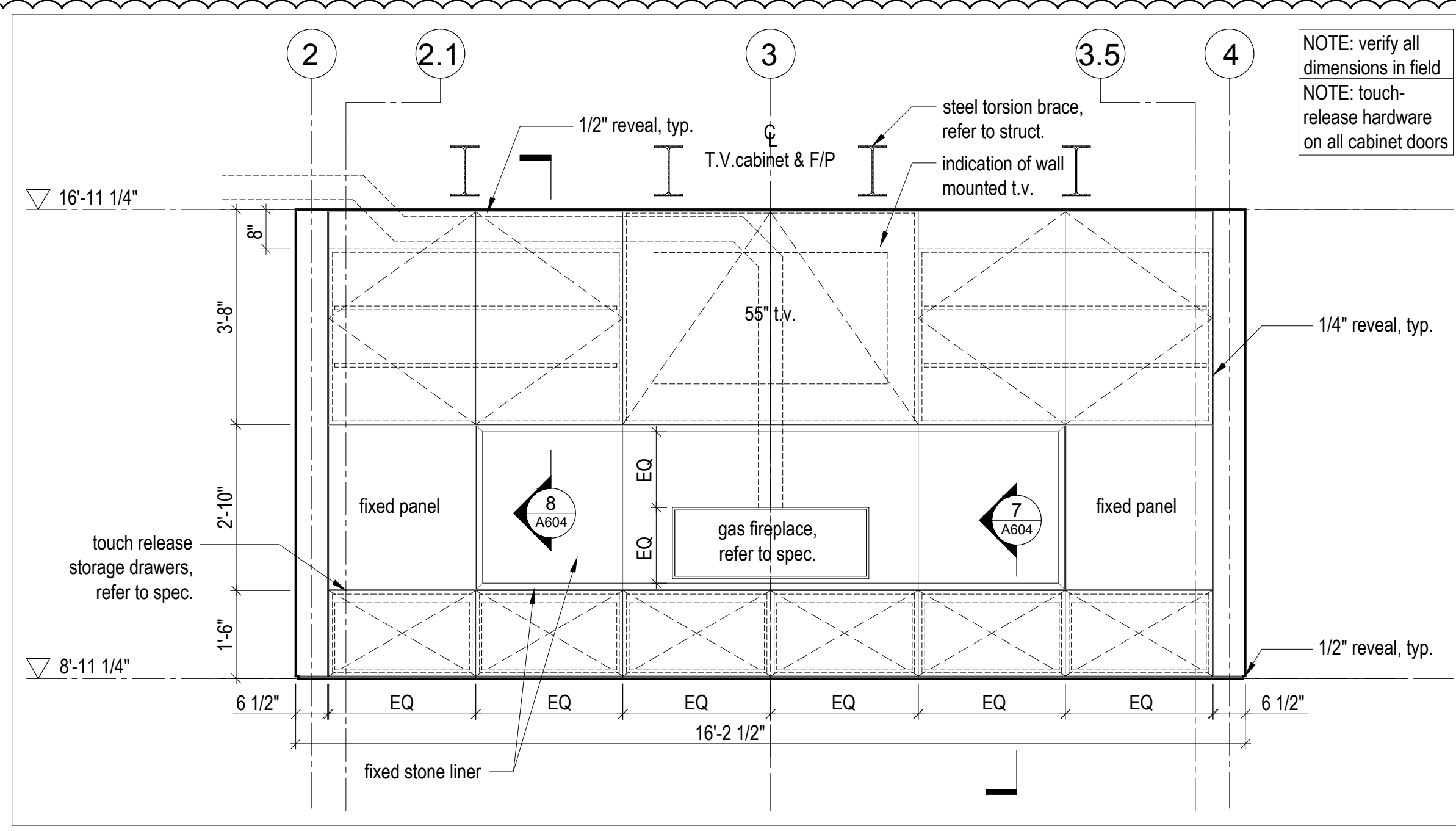
4
Bedroom 3 & 4 Built-Ins - Elevation
Scale 1/2" = 1'-0"



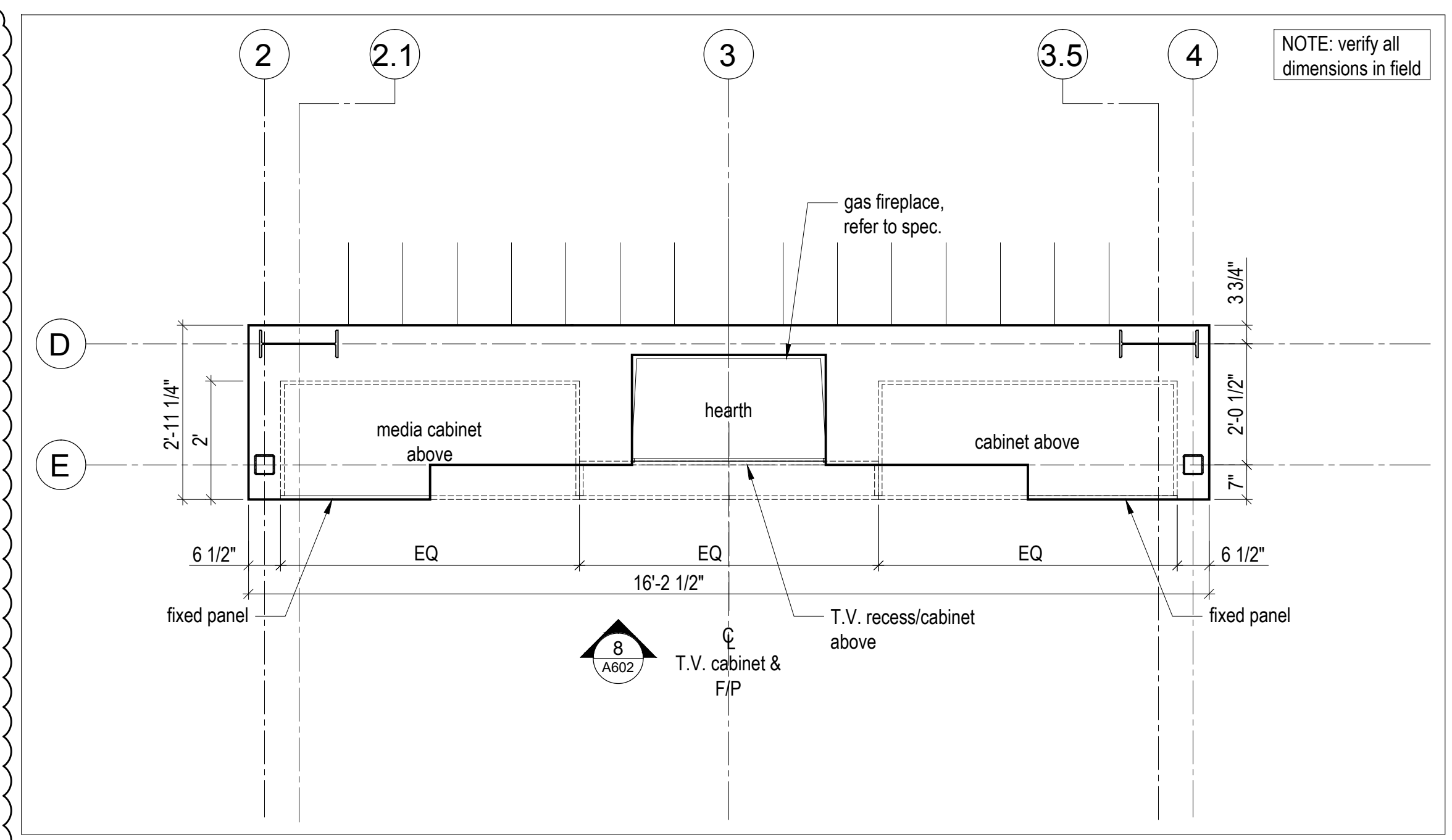
7
Bedroom 1-4 Built-Ins - Section Detail
Scale 1/2" = 1'-0"



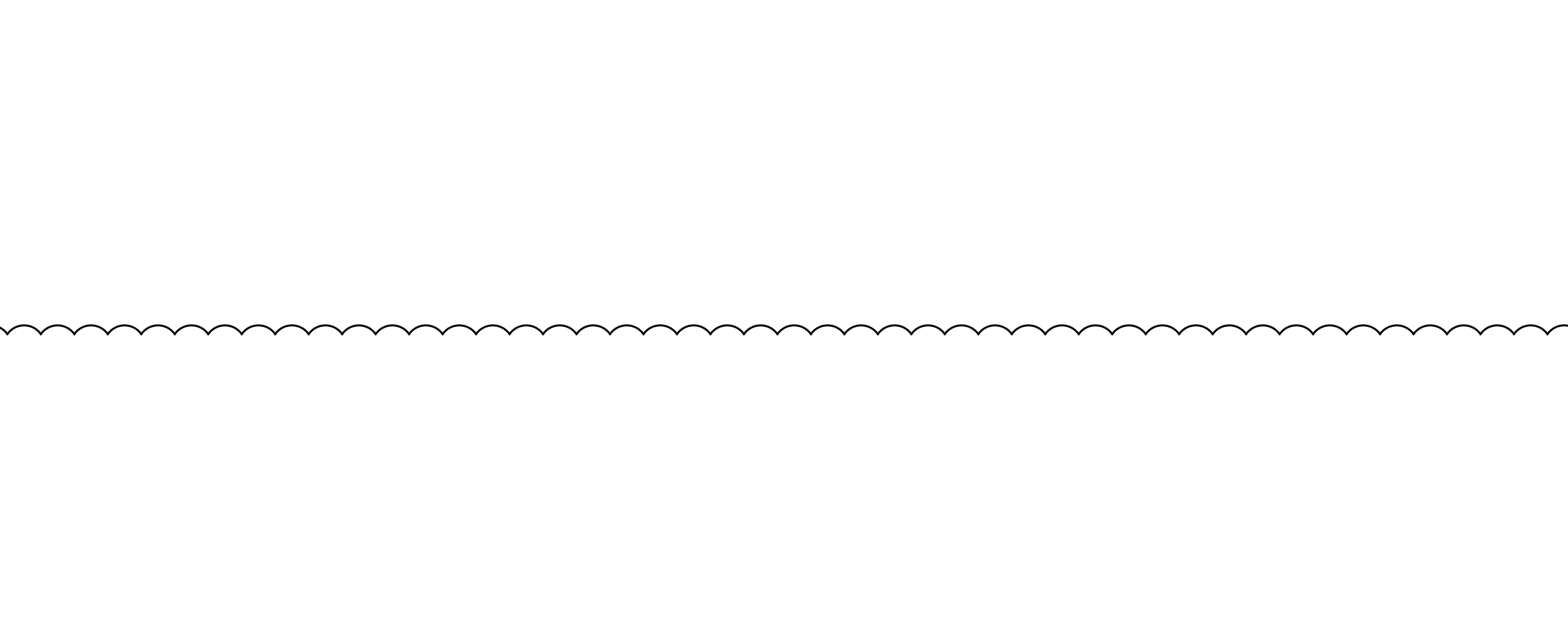
9 Not Used
Scale 1/2" = 1'-0"



8 Hearth - Elevation
Scale 1/2" = 1'-0"



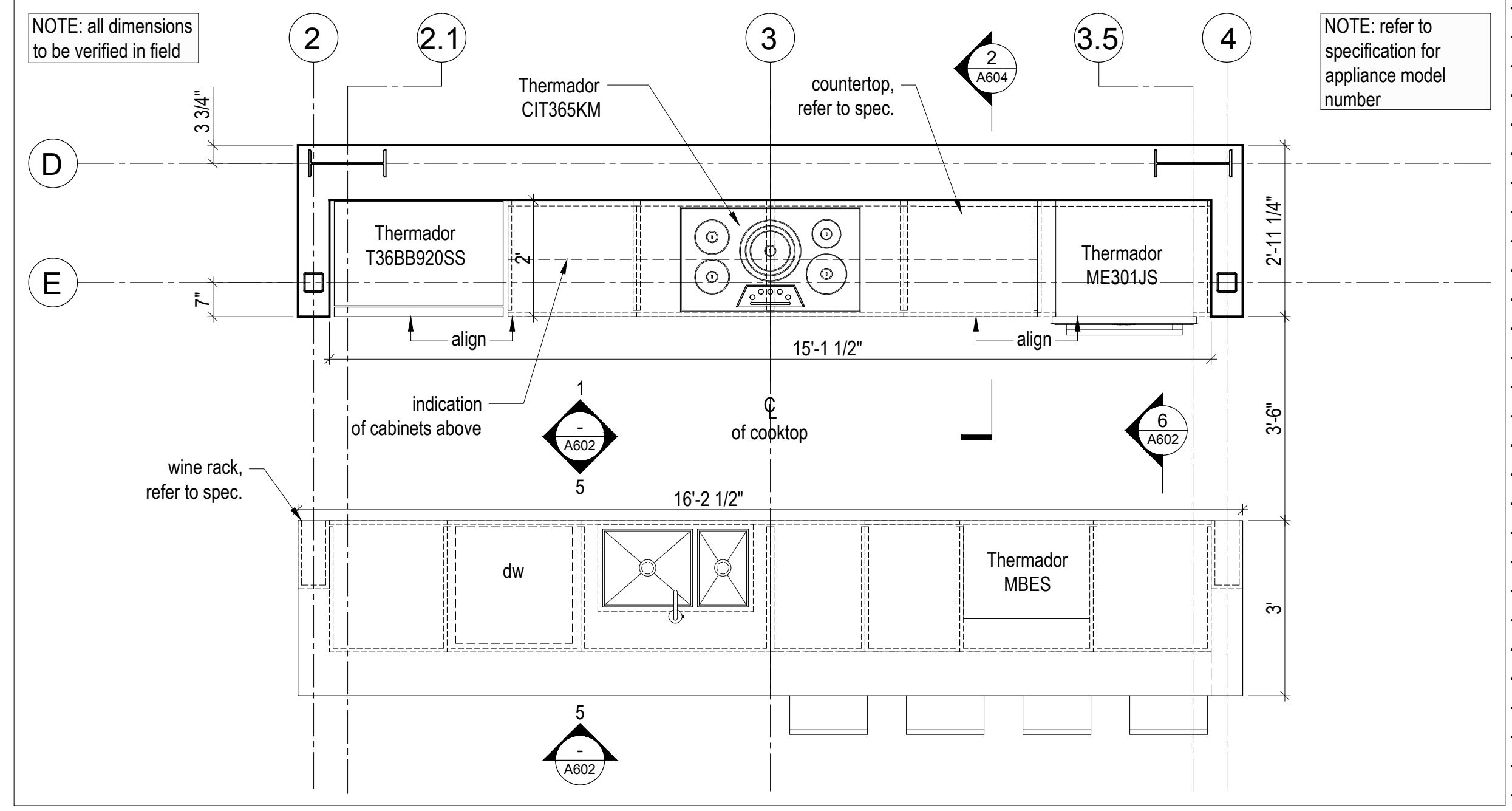
3 Hearth - Enlarged Plan
Scale 1/2" = 1'-0"



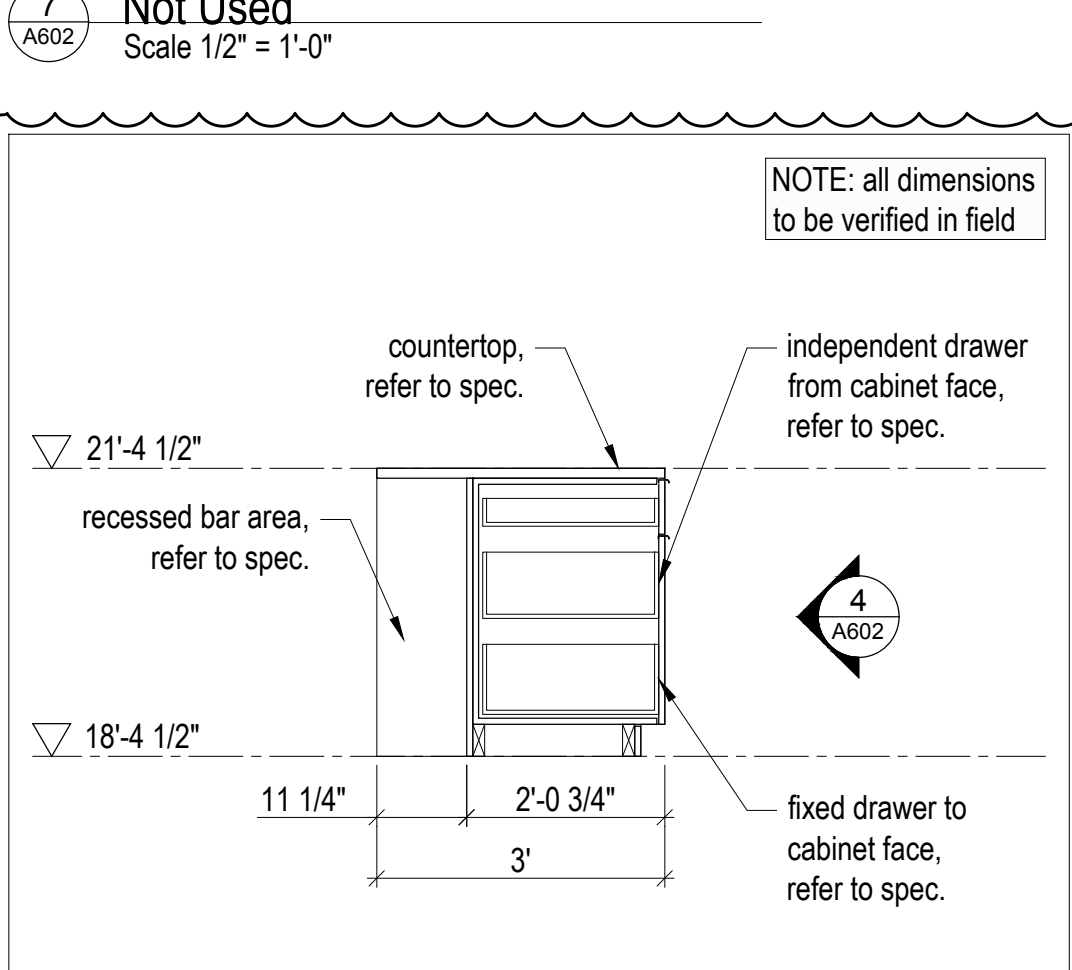
5 Kitchen Island - Elevation
Scale 1/2" = 1'-0"



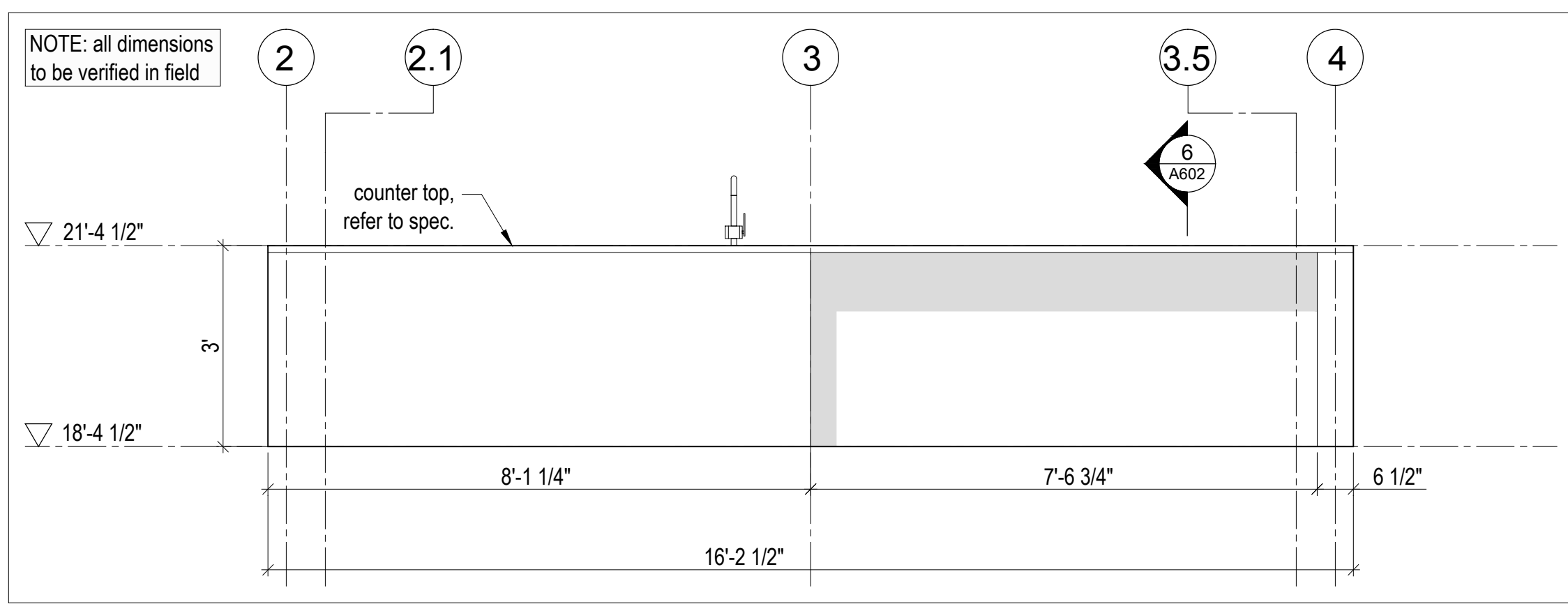
7 Not Used
Scale 1/2" = 1'-0"



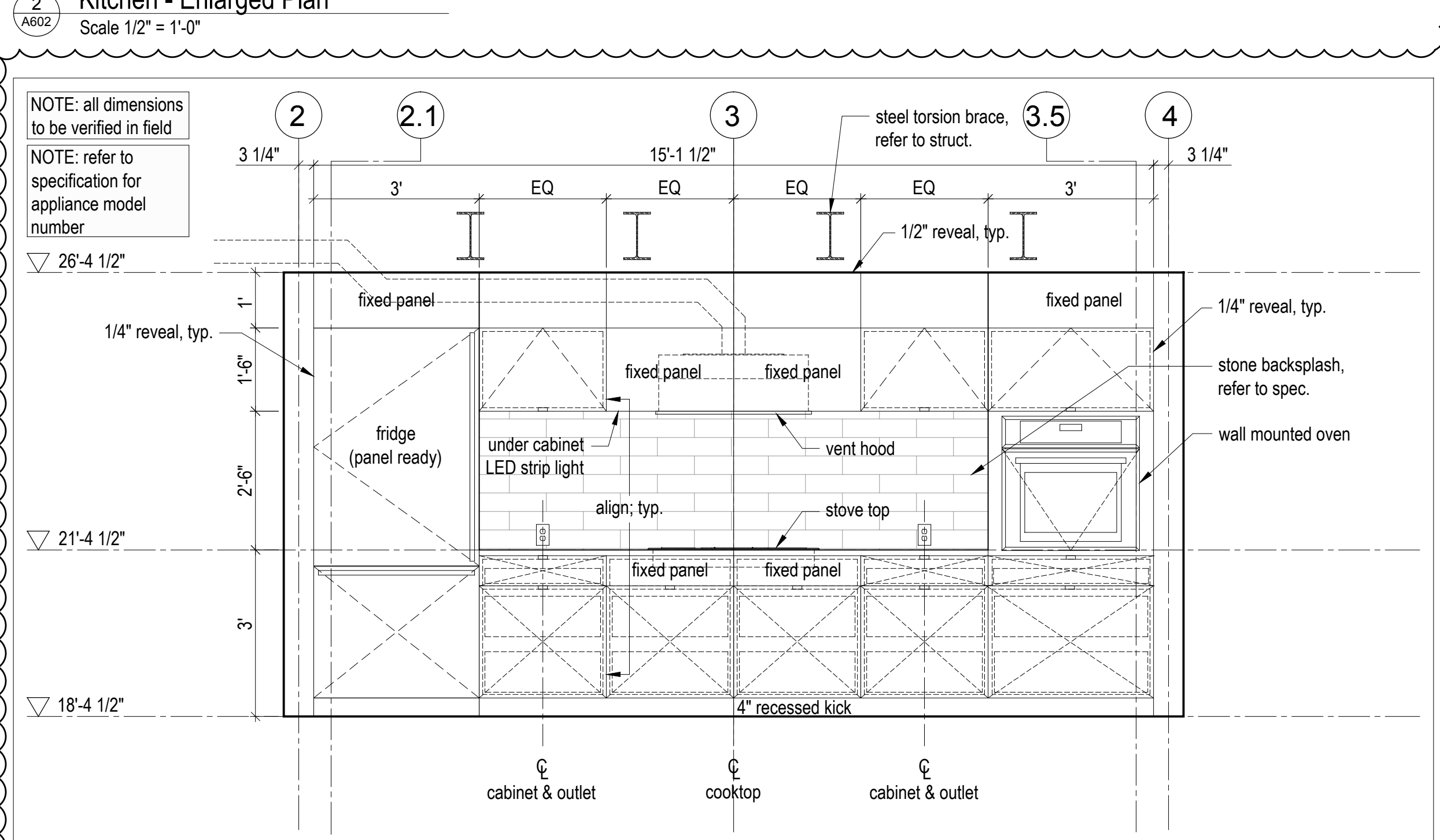
2 Kitchen - Enlarged Plan
Scale 1/2" = 1'-0"



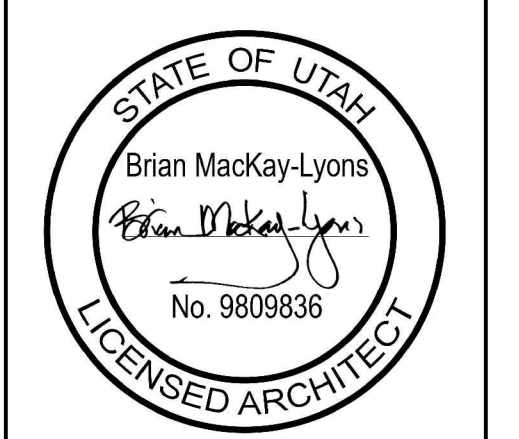
6 Kitchen Island - Section Detail
Scale 1/2" = 1'-0"



4 Kitchen Island - Elevation
Scale 1/2" = 1'-0"

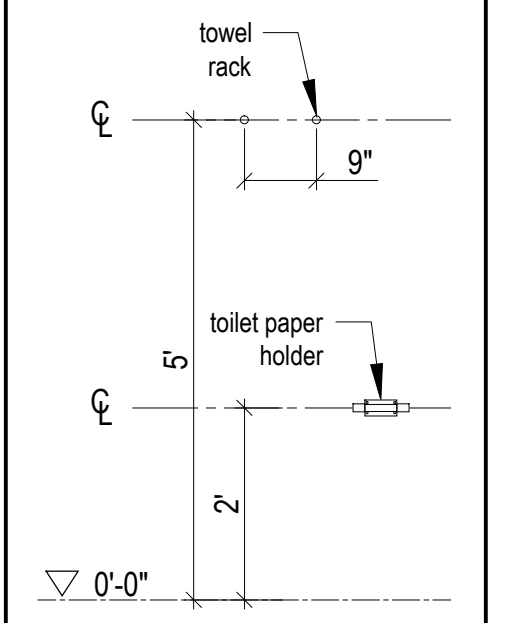


1 Kitchen - Elevation
Scale 1/2" = 1'-0"



NOTE: all dimensions to be verified in field

8'-0"
Typical installation heights; provide backing as needed



No.	Description	Date
3	Issued for Construction	2018.03.13
2	Issued for Tender	2017.12.22
1	for coordination	2017.12.1

NOTES:

COPYRIGHT RELATED TO THE USE OF THIS DRAWING:
The use of this drawing shall be governed by standard copyright law as generally accepted in architectural practice.

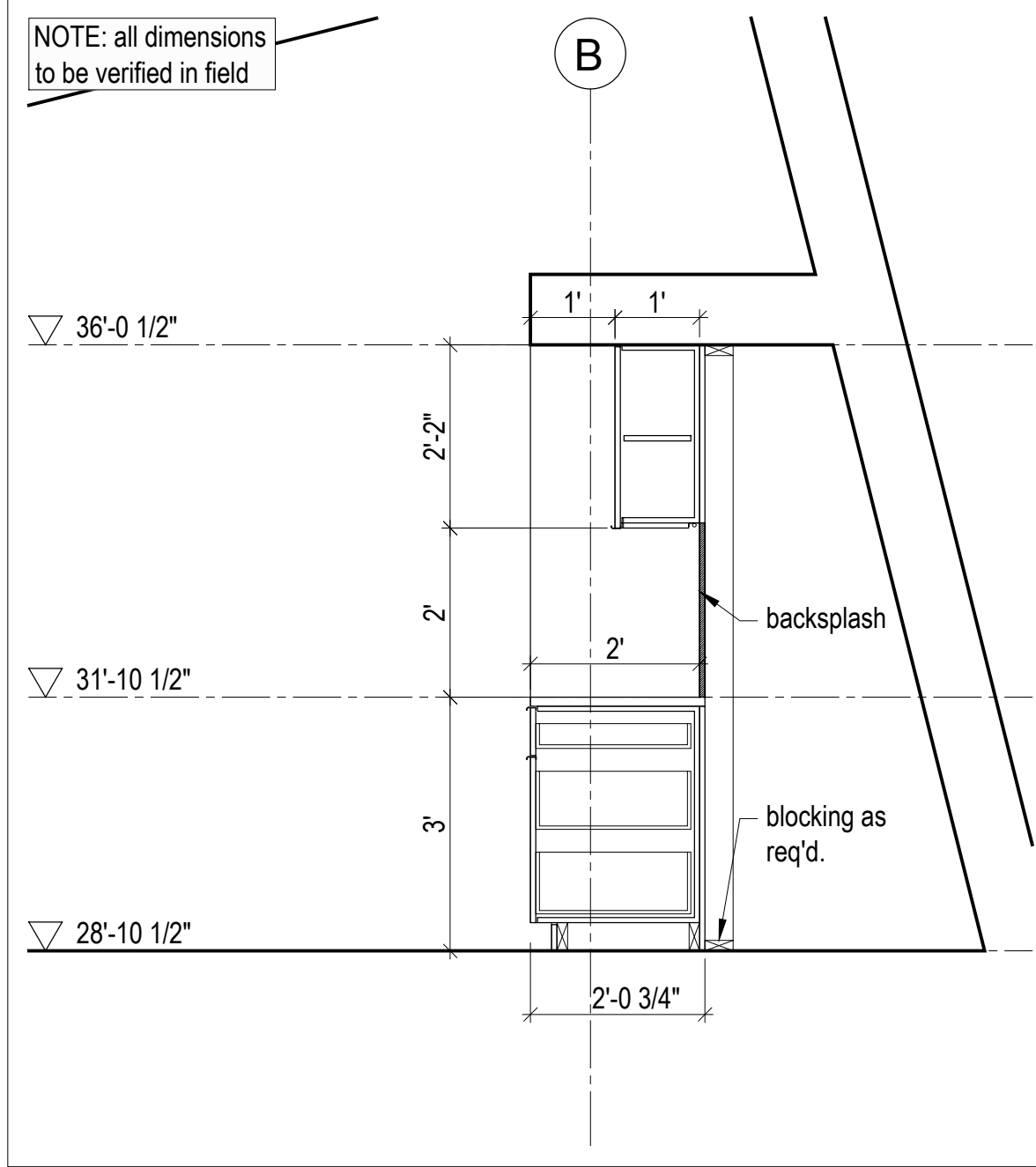
ARCHITECT'S REQUIREMENTS AND APPROVALS:
It is the Builder's responsibility to notify Mackay-Lyons Sweetapple Architects Ltd. and to seek prior written approval for materials and workmanship which deviates from instructions provided by the Architect.

ENGINEER'S REQUIREMENTS AND APPROVALS:
It is the Builder's responsibility to notify Mackay-Lyons Sweetapple Architects Ltd. and to seek prior written approval for materials and workmanship which deviates from instructions provided by the Engineer.

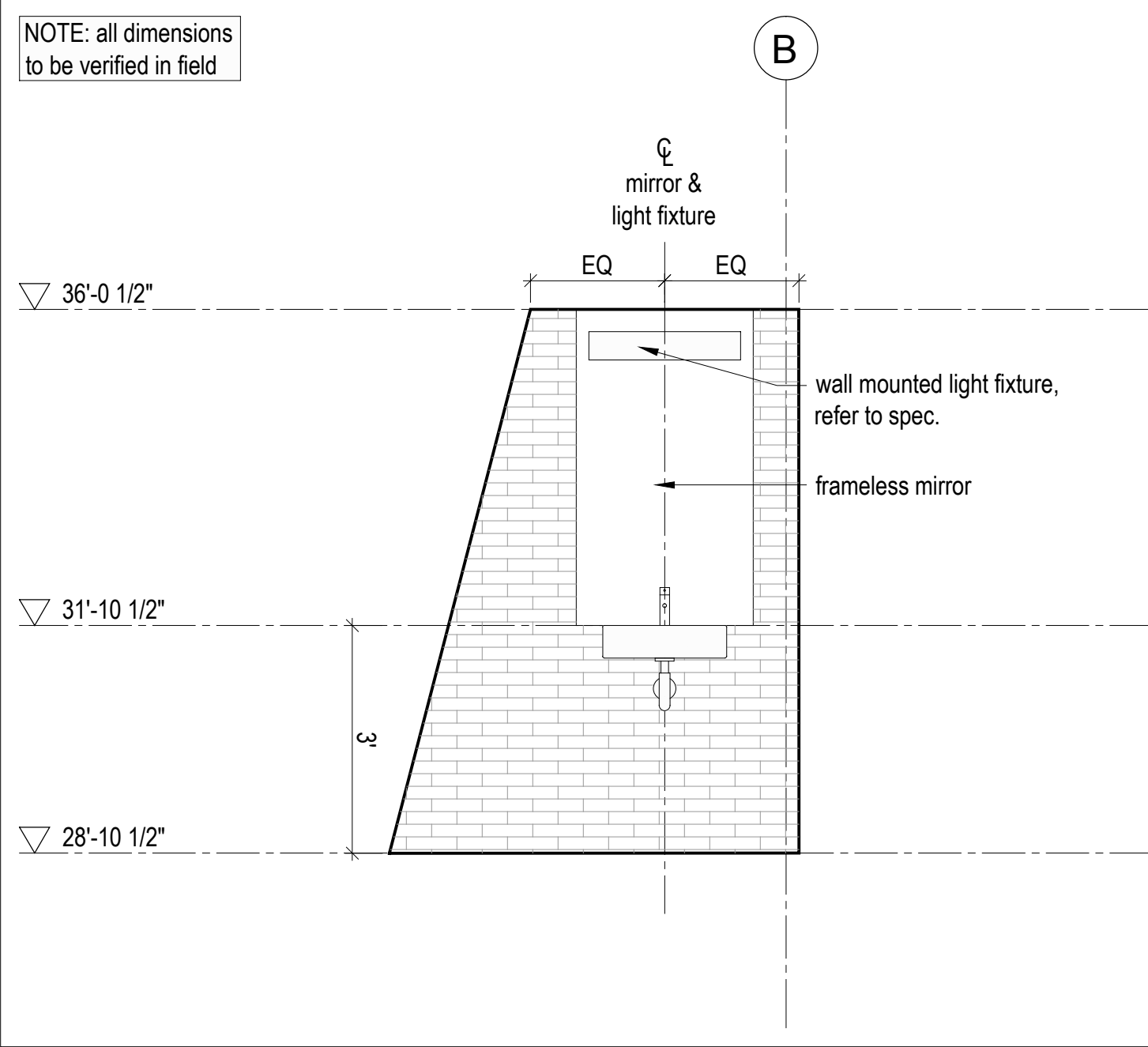
AUTHORITIES' REQUIREMENTS AND APPROVALS:
All materials and workmanship must comply with the requirements of all authorities having jurisdiction over the work. It is the Builder's responsibility to gain necessary approval from all relevant Authorities.

DIMENSIONS:
All dimensions must be verified on site. Do not scale off drawings. Plans take precedent over elevations. In the absence of dimensions, or if discrepancies exist, consult Architect. All minimum dimensions are to comply with the International Residential Code.

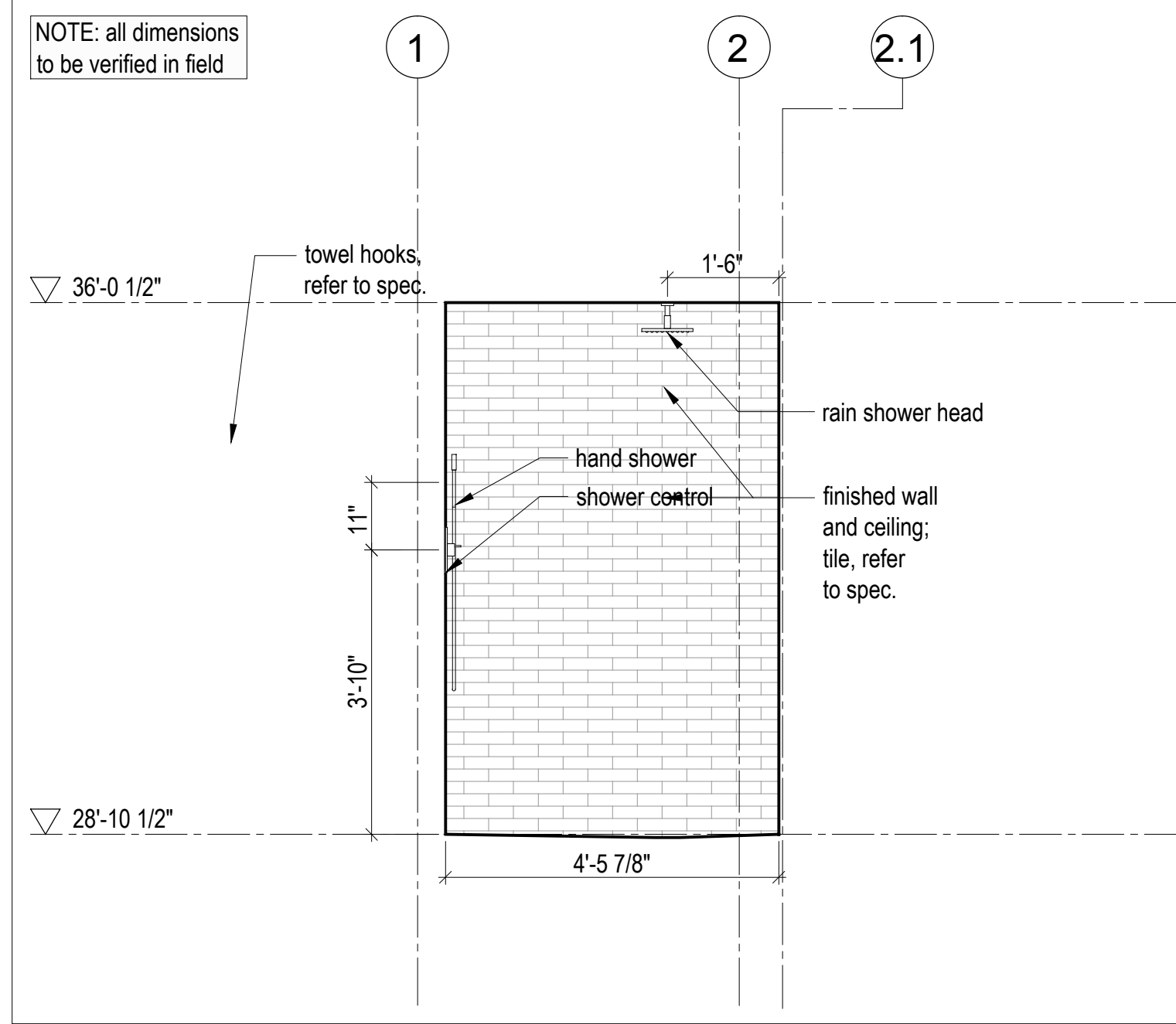
SHOP DRAWINGS:
Submit shop drawings to the Architect and Engineer for approval prior to manufacture of prefabricated elements of the building.



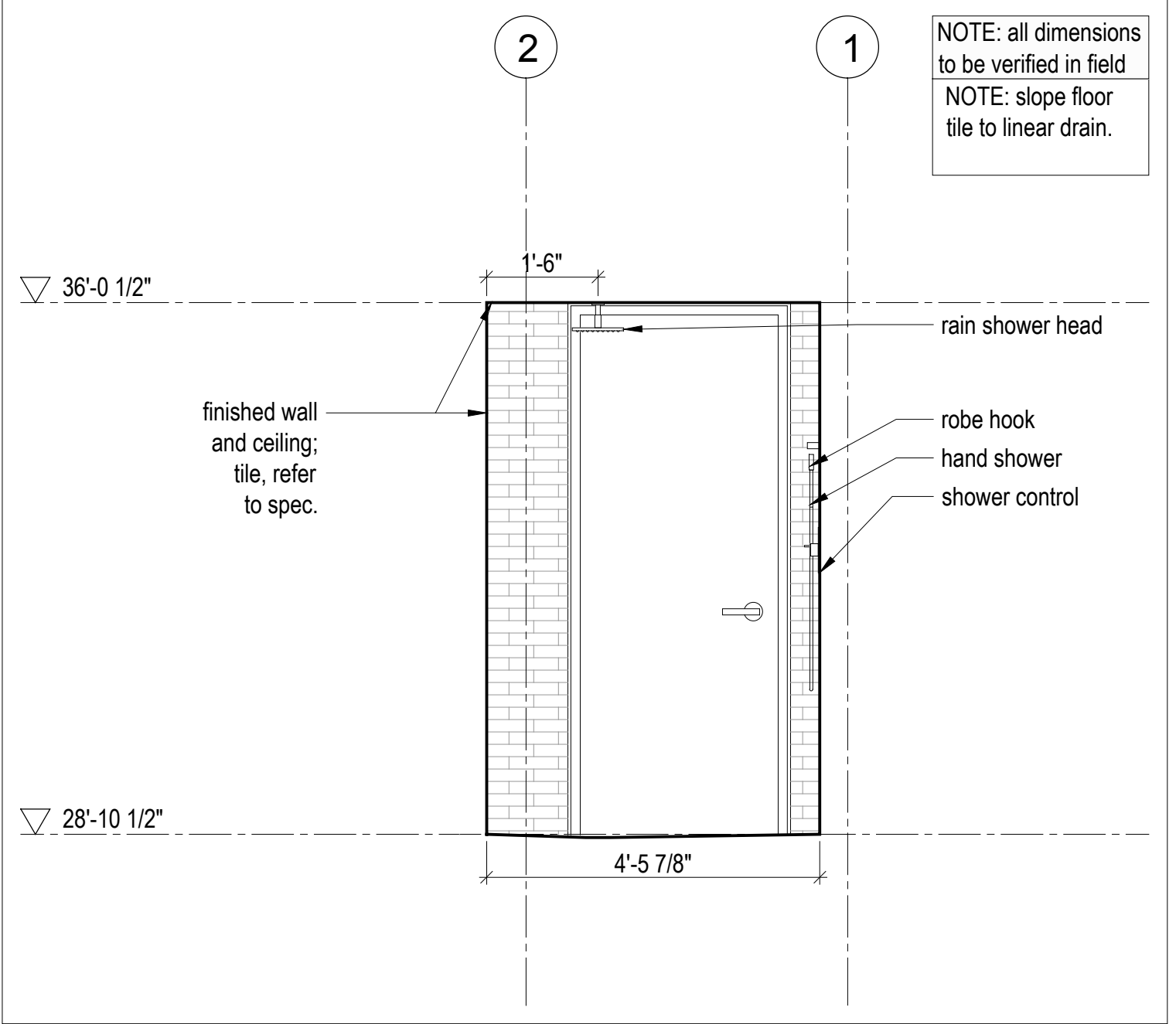
9 Lounge Bar - Section
Scale 1/2" = 1'-0"



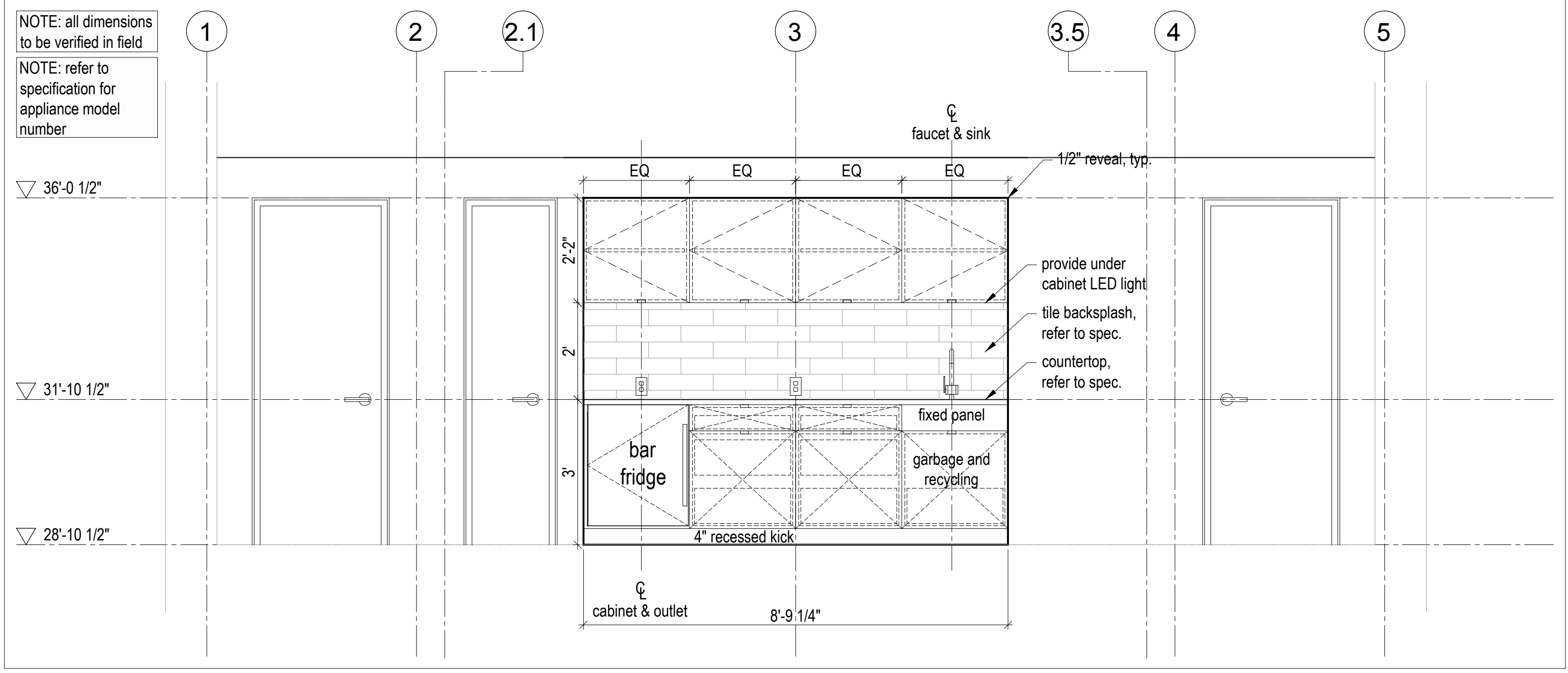
8 Lounge Bathroom - Elevation
Scale 1/2" = 1'-0"



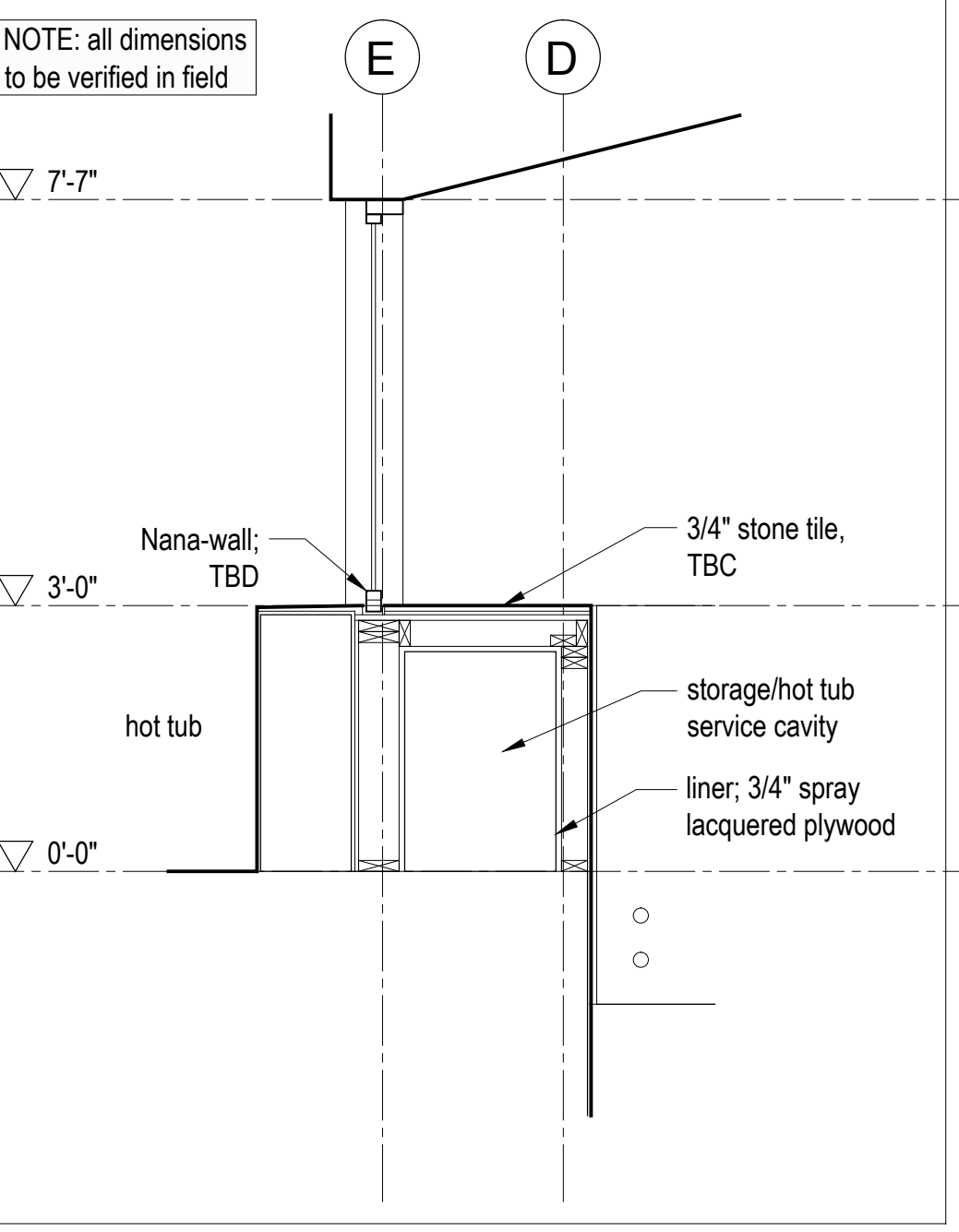
7 Lounge Shower - Section Detail
Scale 1/2" = 1'-0"



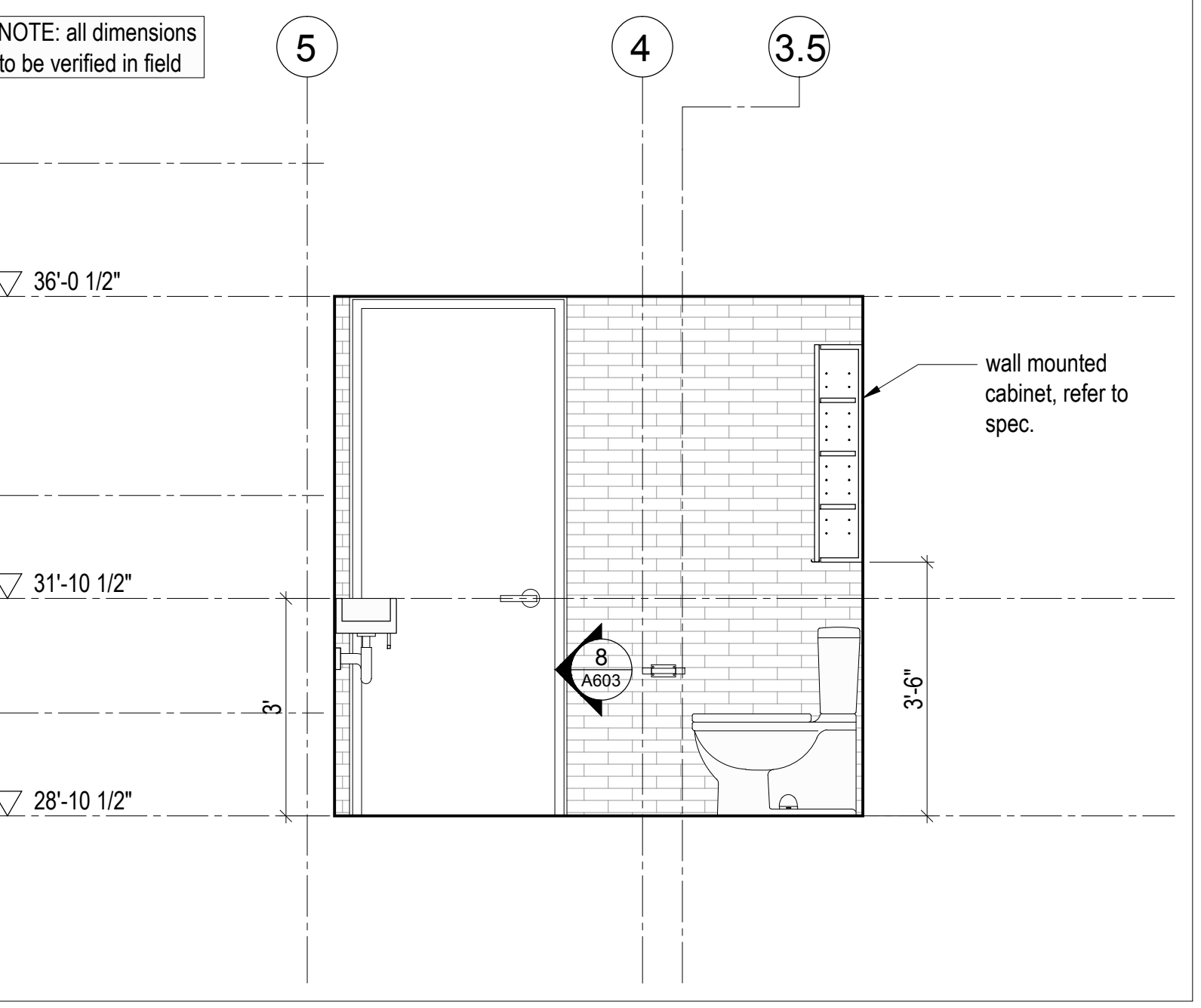
6 Lounge Shower - Section Detail
Scale 1/2" = 1'-0"



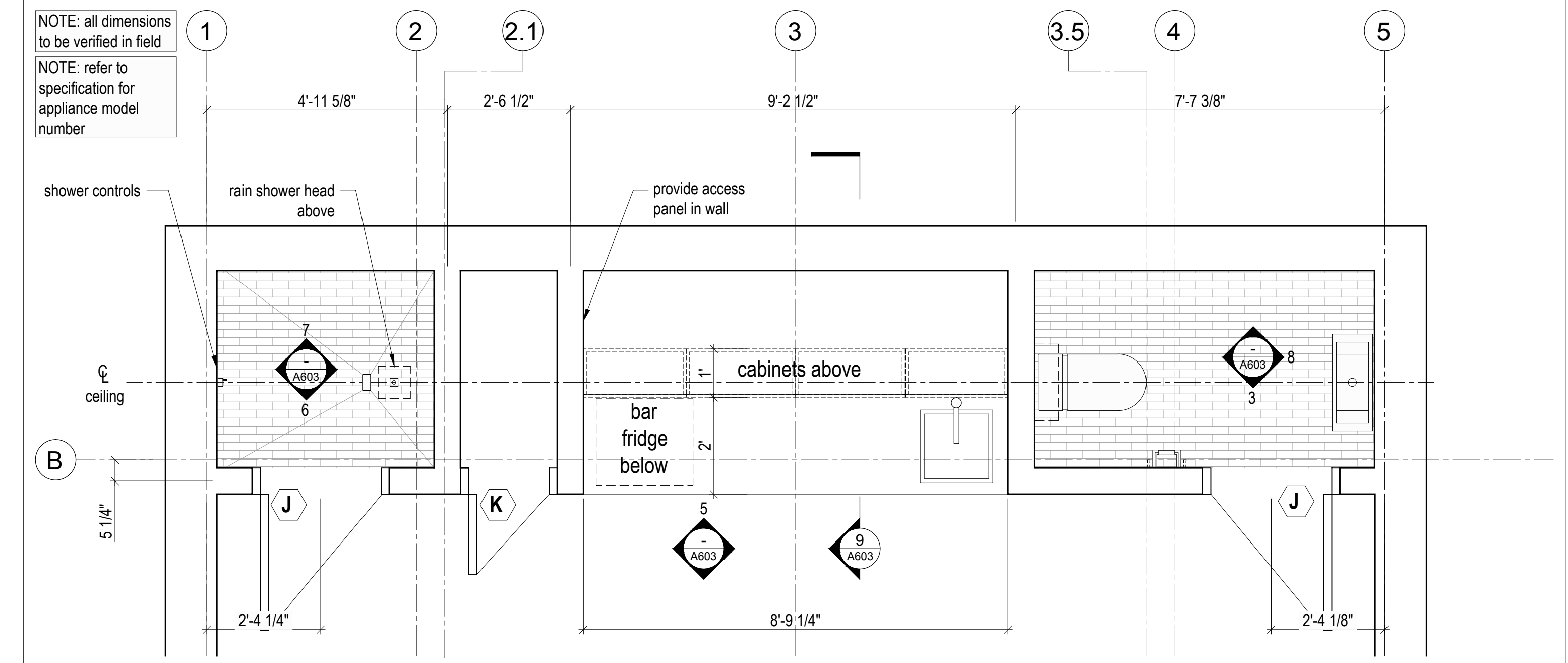
5 Lounge Bar - Elevation
Scale 1/2" = 1'-0"



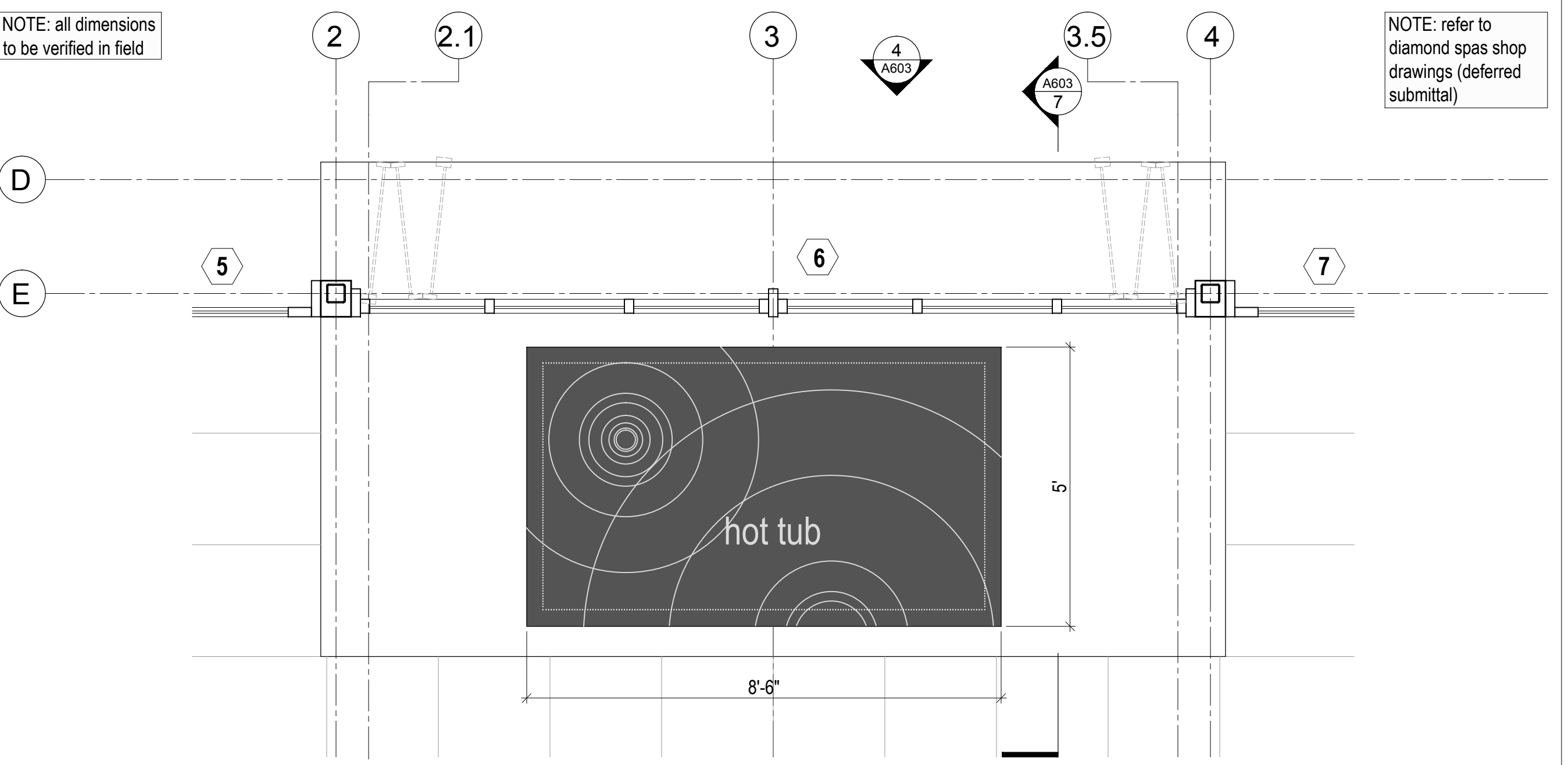
4 Sculpture Plinth - Section Detail
Scale 1/2" = 1'-0"



3 Lounge Bathroom - Section Detail
Scale 1/2" = 1'-0"



2 Lounge Shower/Bar/Powder Room - Enlarged Plan
Scale 1/2" = 1'-0"



1 Sculpture Plinth - Enlarged Plan
Scale 1/2" = 1'-0"

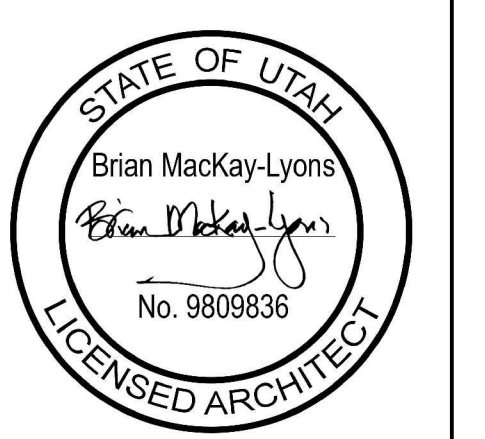
Lot 71R
Village Houses

Summit Power Mountain
Econ. Utah

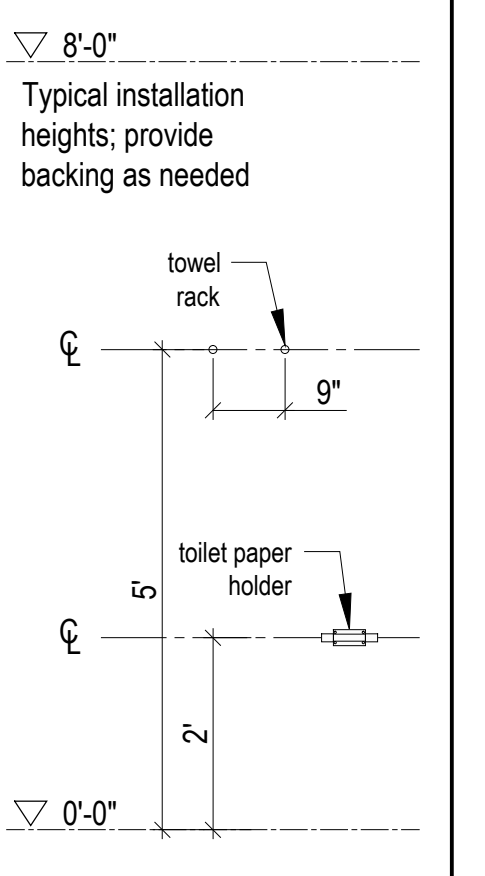
Mackay-Lyons
Sweetapple
Architects
Limited

2188 Göttingen St.
Halifax, Nova Scotia
Canada B3K 3B4

ph: (902) 429-1867
fax: (902) 429-6276



NOTE: all dimensions to be verified in field



No.	Description	Date
3	Issued for Construction	2018.03.13
2	Issued for Tender	2017.12.22
1	for coordination	2017.12.1

NOTES:

COPYRIGHT RELATED TO THE USE OF THIS DRAWING:
The use of this drawing shall be governed by standard copyright law as generally accepted in architectural practice.

ARCHITECT'S REQUIREMENTS AND APPROVALS:
It is the Builder's responsibility to notify Mackay-Lyons Sweetapple Architects Ltd. and to seek prior written approval for materials and workmanship which deviates from instructions provided by the Architect.

ENGINEER'S REQUIREMENTS AND APPROVALS:
It is the Builder's responsibility to notify Mackay-Lyons Sweetapple Architects Ltd. and to seek prior written approval for materials and workmanship which deviates from instructions provided by the Engineer.

AUTHORITIES' REQUIREMENTS AND APPROVALS:
All materials and workmanship must comply with the requirements of all authorities having jurisdiction over the work. It is the Builder's responsibility to gain necessary approval from all relevant Authorities.

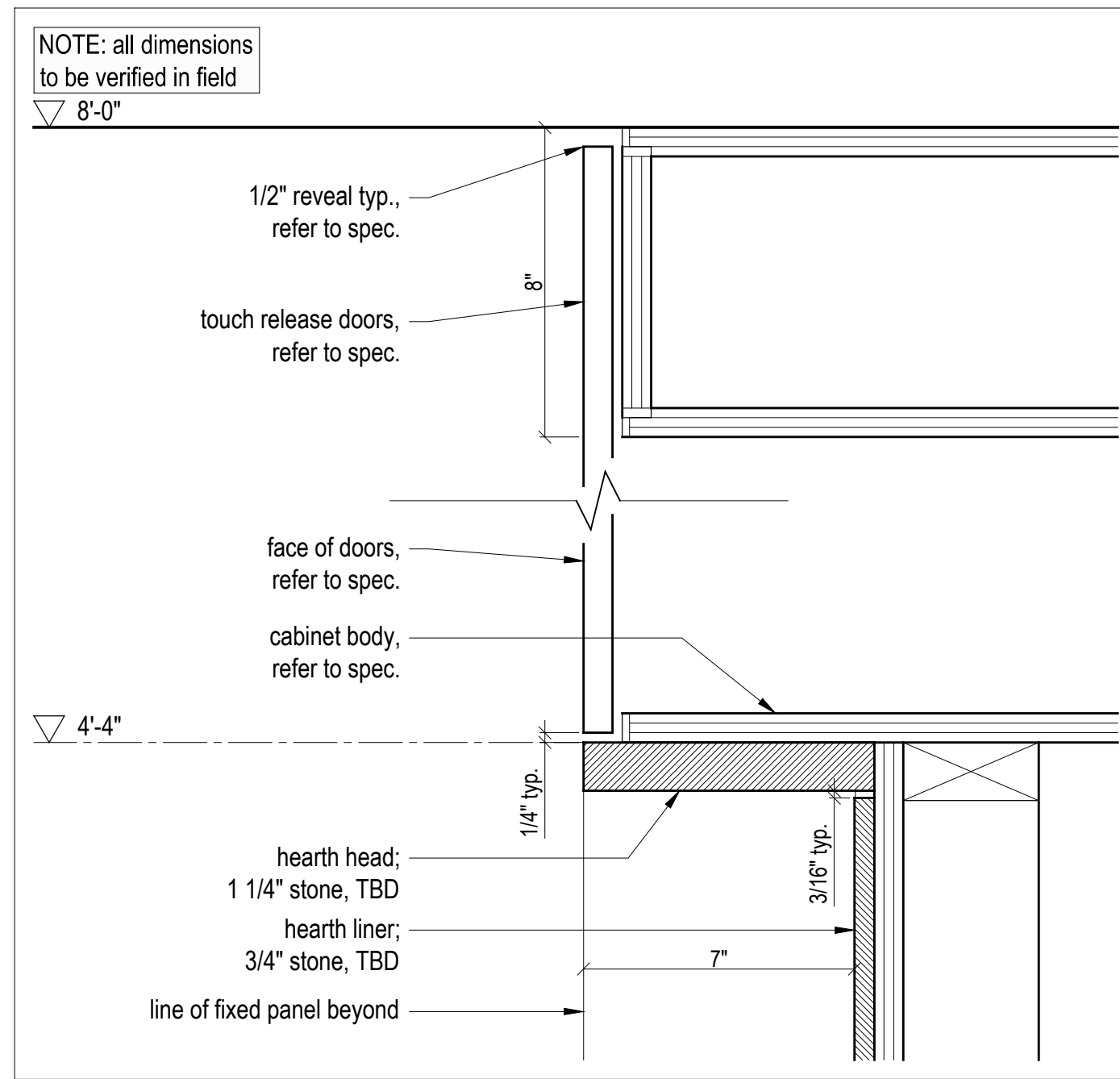
DIMENSIONS:
All dimensions must be verified on site. Do not scale off drawings. Plans take precedent over elevations. In the absence of dimensions, or if discrepancies exist, consult Architect. All minimum dimensions are to comply with the International Residential Code.

SHOP DRAWINGS:
Submit shop drawings to the Architect and Engineer for approval prior to manufacture of prefabricated elements of the building.

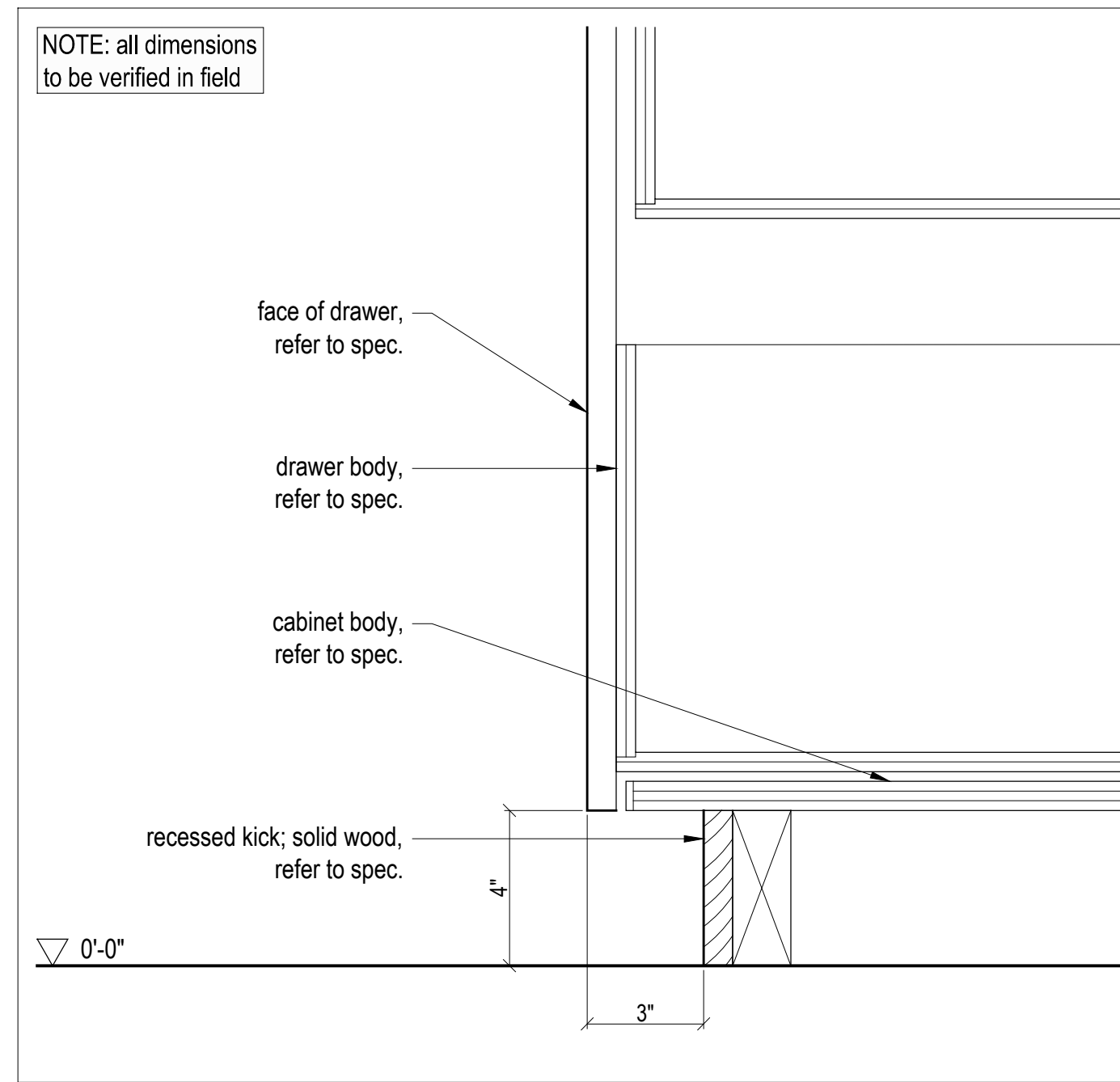
Millwork -
Fourth Floor

scale: 1/2" = 1'-0"
date: 17-11-23
drawn: RD
chk'd: BML

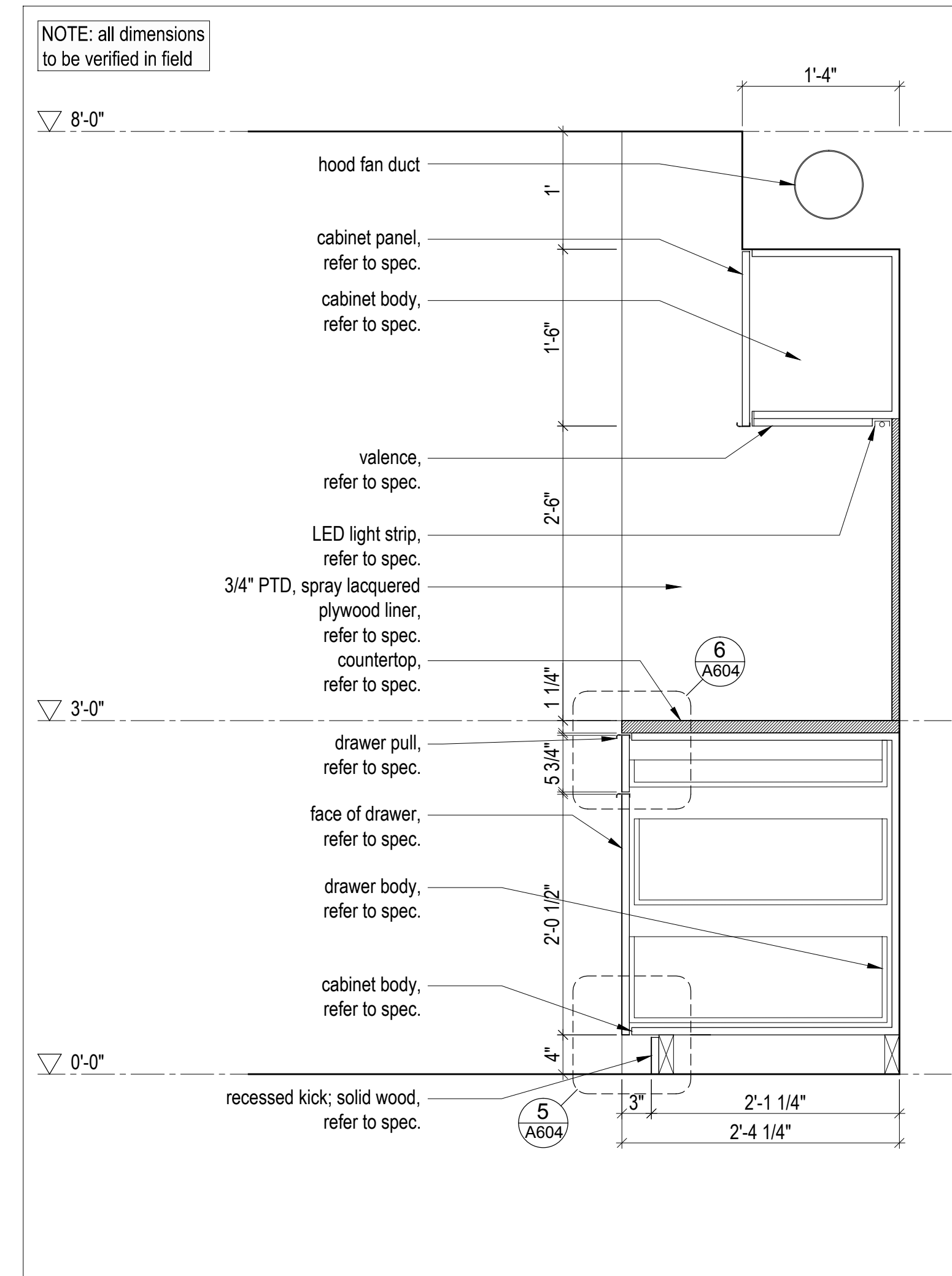
A603



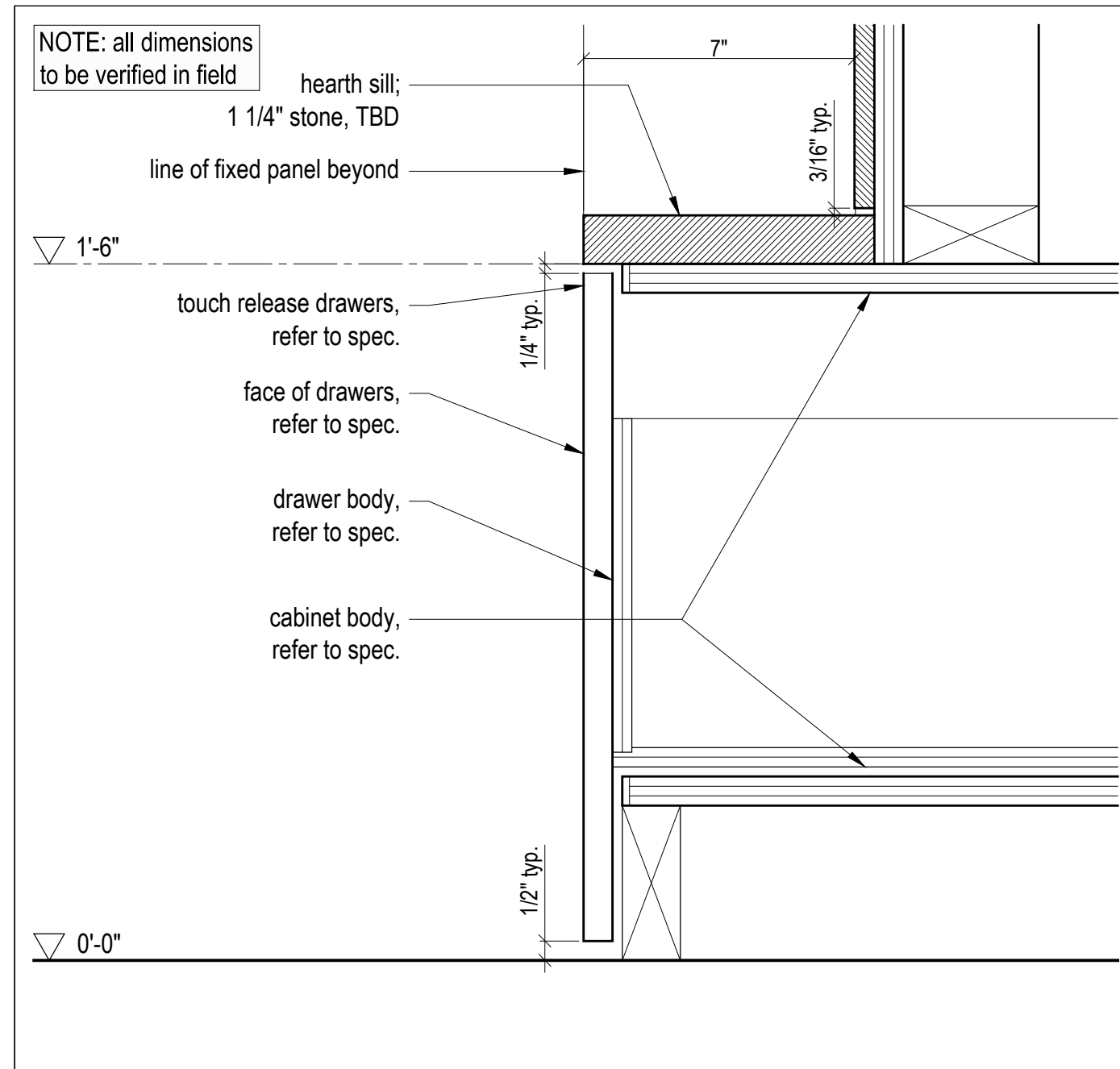
8 A604 **Hearth Head - Section Detail, Typ.**
 Scale 3" = 1'-0"



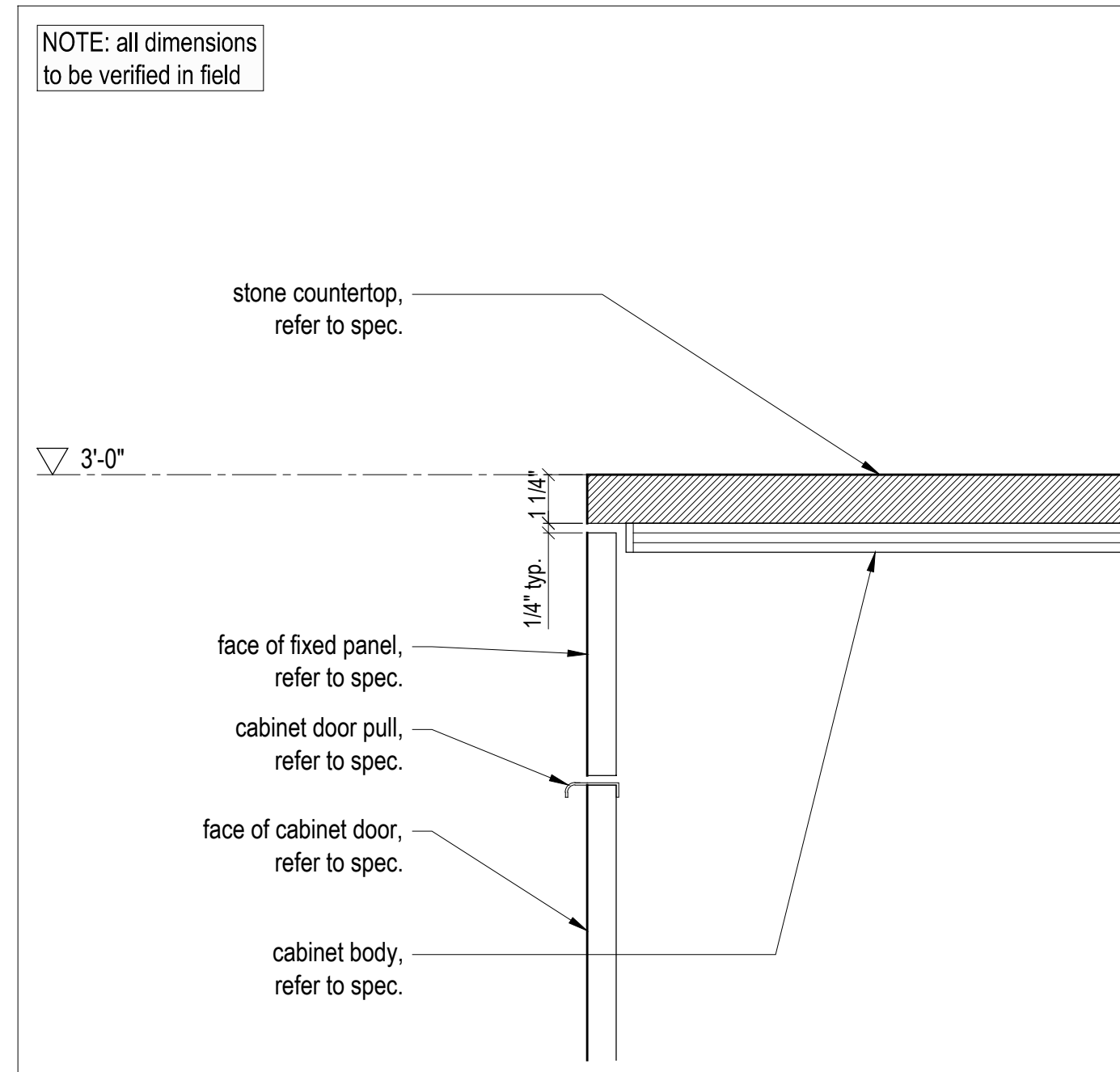
5 A604 **Kitchen Counter - Section Detail, Typ.**
 Scale 3" = 1'-0"



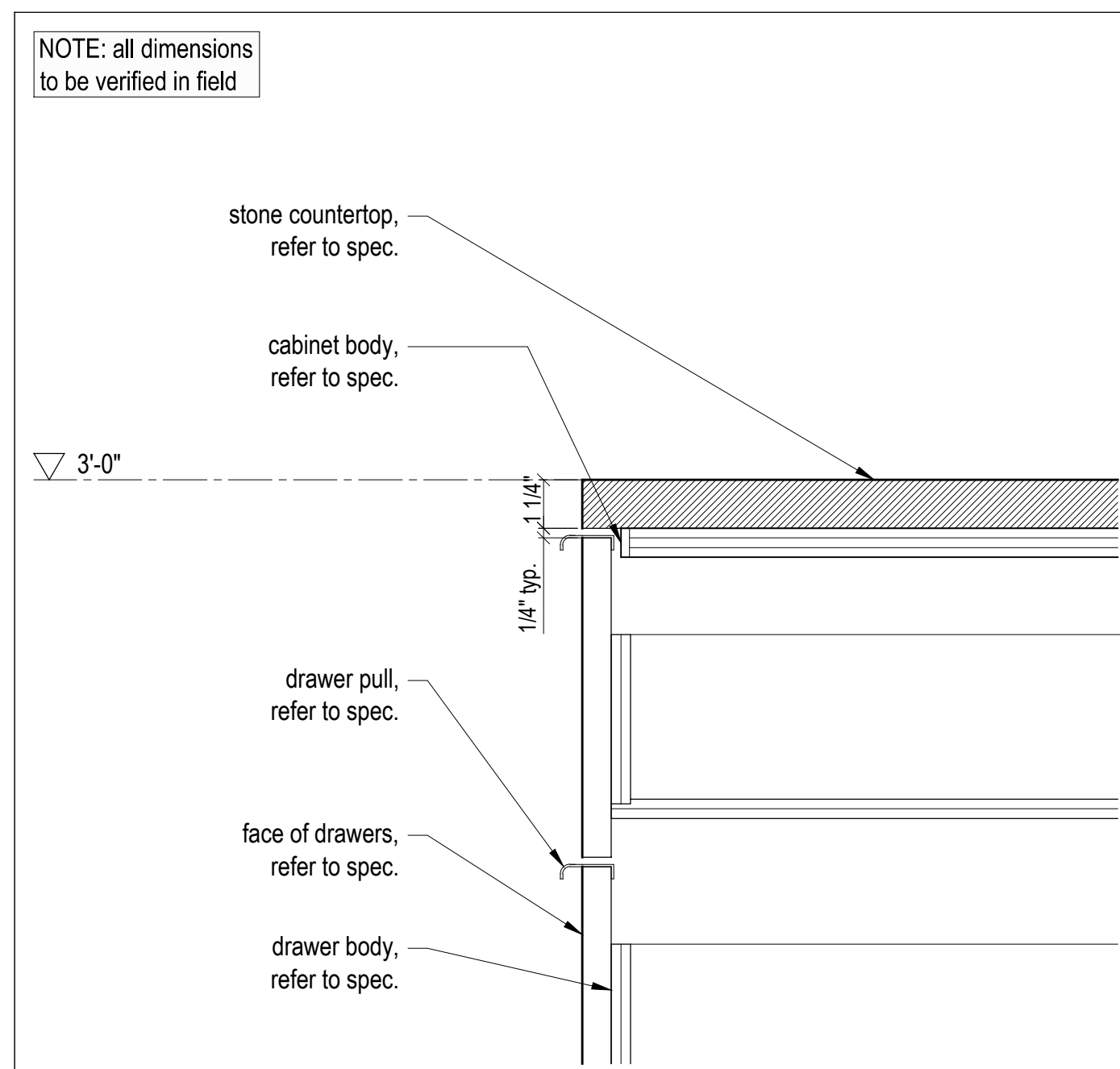
2 A604 **Kitchen Counter - Enlarged Section**
 Scale 1" = 1'-0"



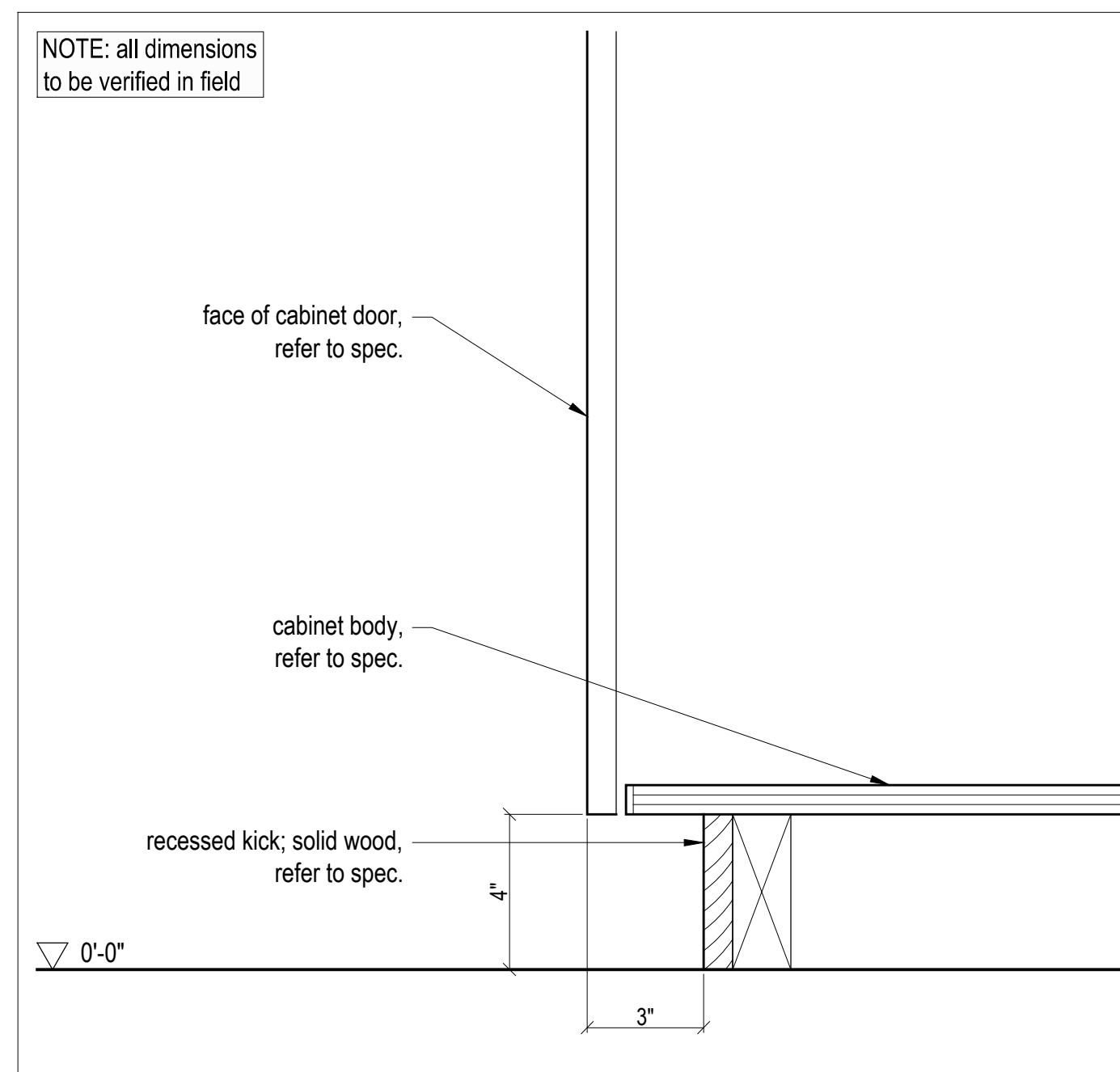
7 A604 **Hearth Sill - Section Detail, Typ.**
 Scale 3" = 1'-0"



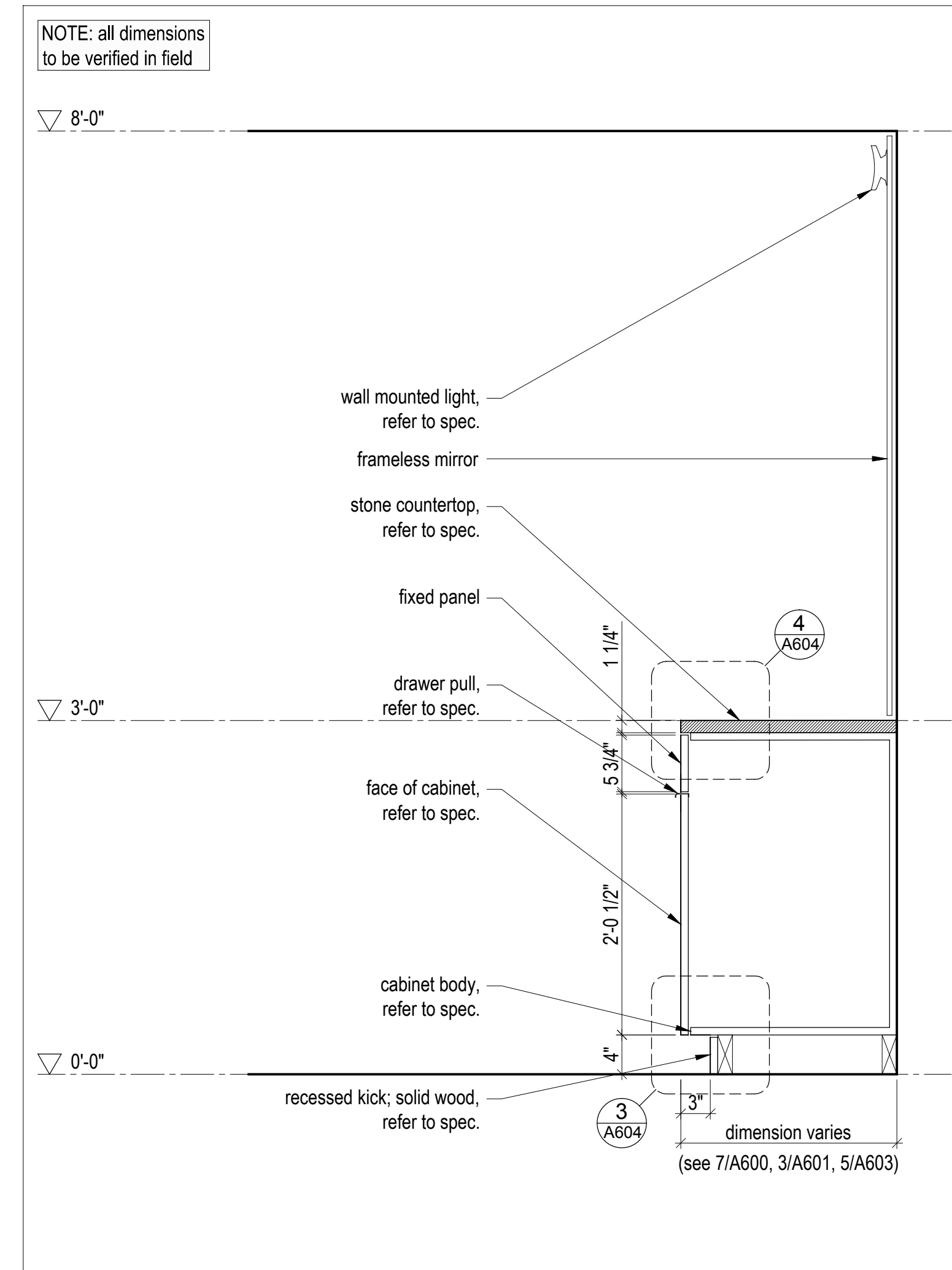
4 A604 **Bathroom Vanity - Section Detail, Typ.**
 Scale 3" = 1'-0"



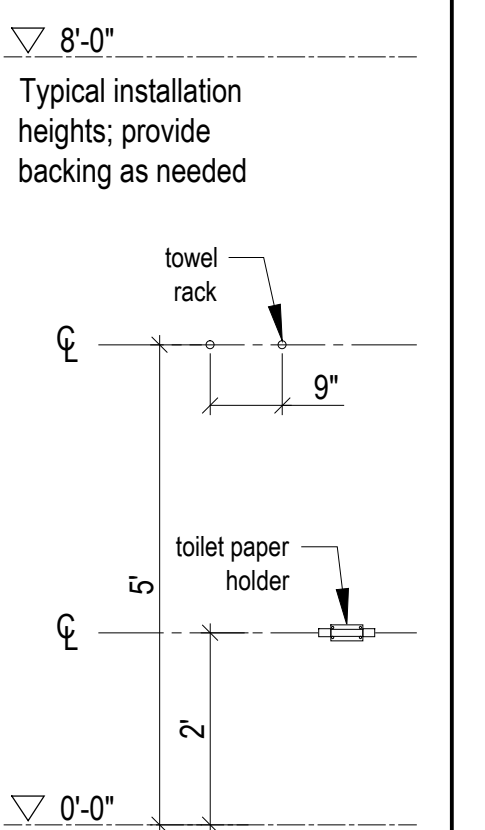
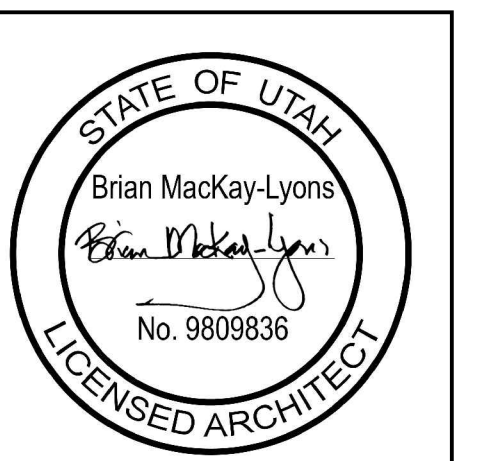
6 A604 **Kitchen Counter - Section Detail, Typ.**
 Scale 3" = 1'-0"



3 A604 **Bathroom Vanity - Section Detail, Typ.**
 Scale 3" = 1'-0"



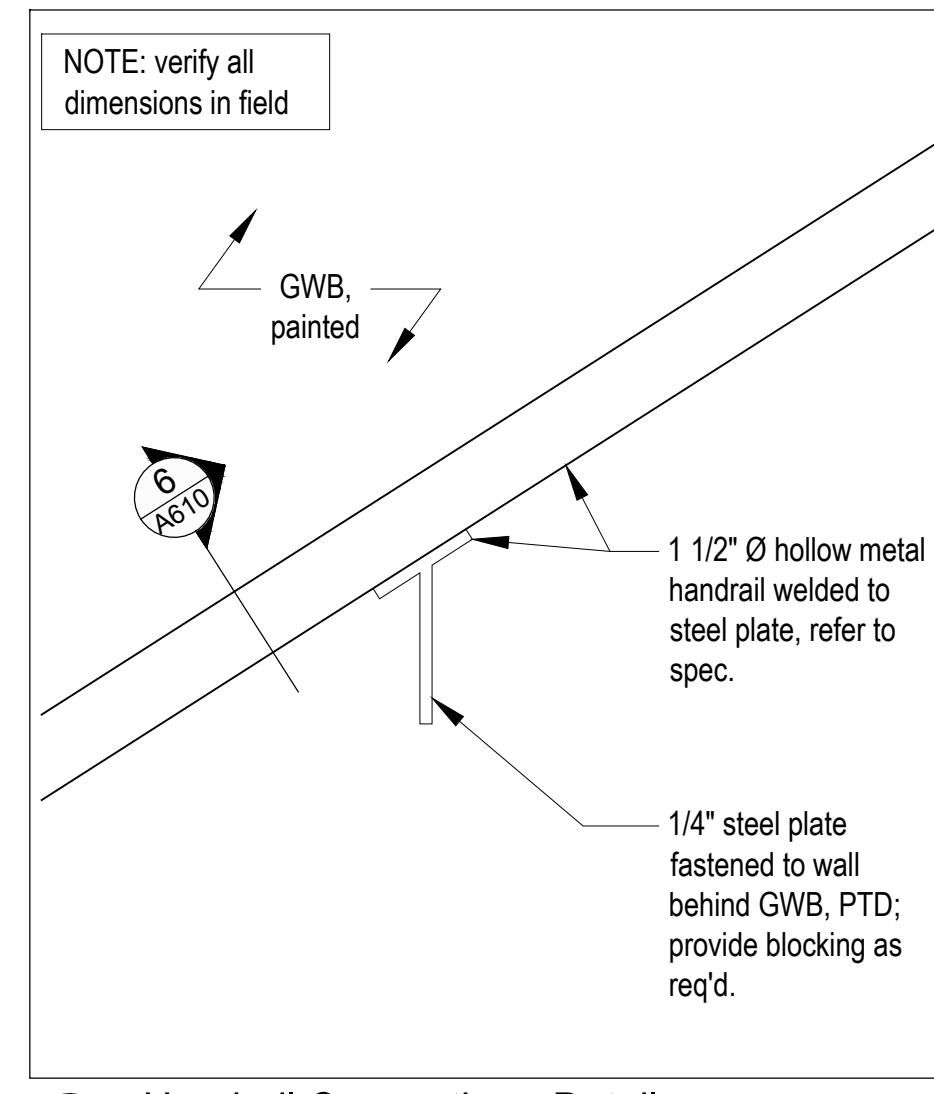
1 A604 **Bathroom Counter - Enlarged Section**
 Scale 1" = 1'-0"



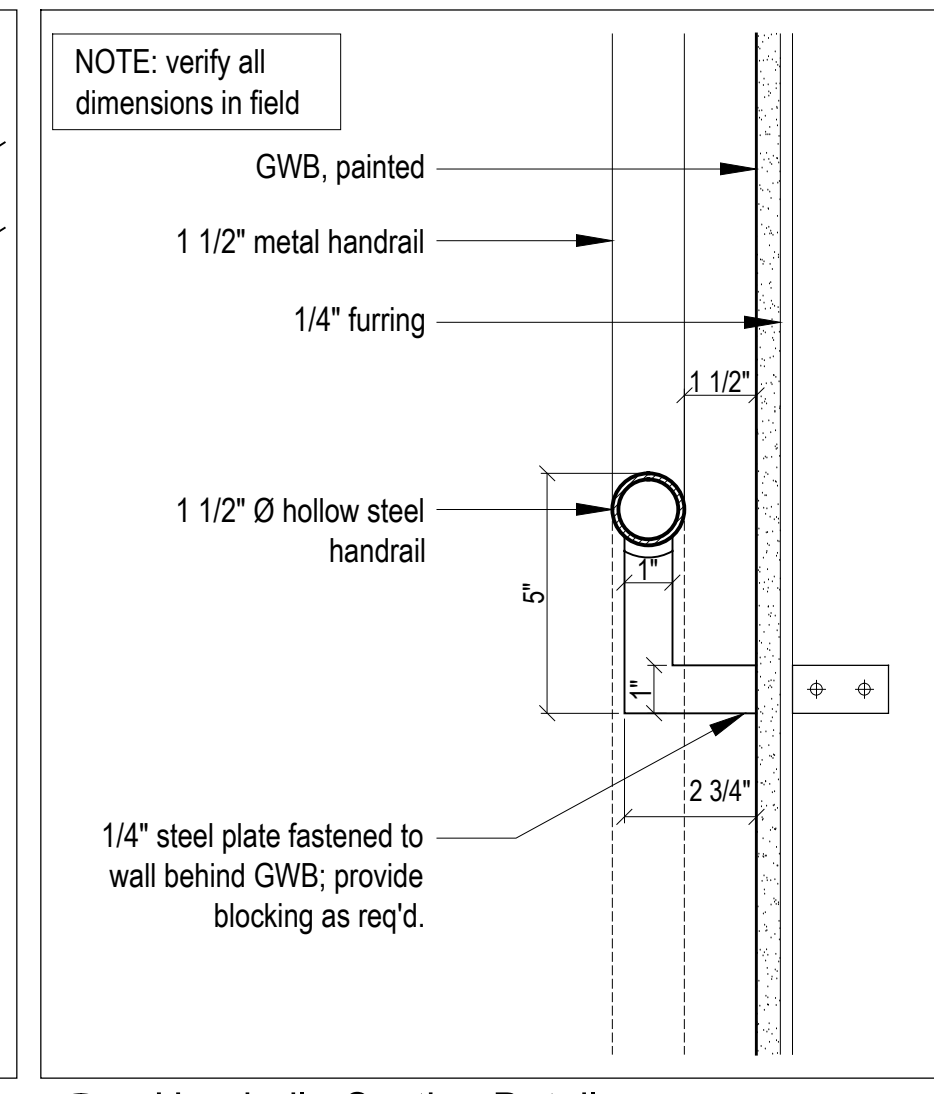
No.	Description	Date
3	Issued for Construction	2018.03.13
2	Issued for Tender	2017.12.22

Revision:

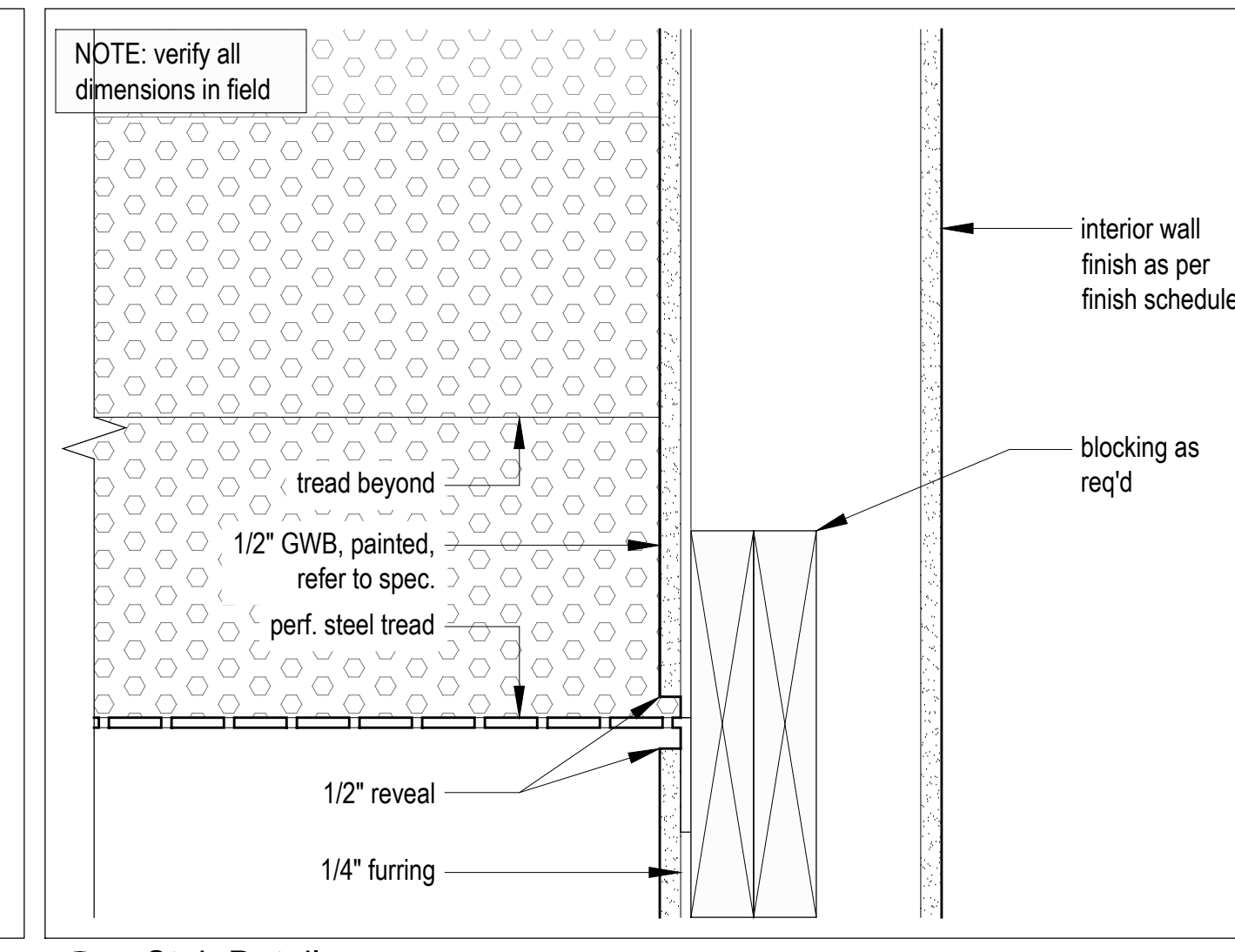
NOTES:
COPYRIGHT RELATED TO THE USE OF THIS DRAWING:
 The use of this drawing shall be governed by standard copyright law as generally accepted in architectural practice.
ARCHITECT'S REQUIREMENTS AND APPROVALS:
 It is the Builder's responsibility to notify Mackay-Lyons Sweetapple Architects Ltd. and to seek prior written approval for materials and workmanship which deviates from instructions provided by the Architect.
ENGINEER'S REQUIREMENTS AND APPROVALS:
 It is the Builder's responsibility to notify Mackay-Lyons Sweetapple Architects Ltd. and to seek prior written approval for materials and workmanship which deviates from instructions provided by the Engineer.
AUTHORITIES' REQUIREMENTS AND APPROVALS:
 All materials and workmanship must comply with the requirements of all authorities having jurisdiction over the work. It is the Builder's responsibility to gain necessary approval from all relevant Authorities.
DIMENSIONS:
 All dimensions must be verified on site. Do not scale off drawings. Plans take precedent over elevations. In the absence of dimensions, or if discrepancies exist, consult Architect. All minimum dimensions are to comply with the International Residential Code.
SHOP DRAWINGS:
 Submit shop drawings to the Architect and Engineer for approval prior to manufacture of prefabricated elements of the building.



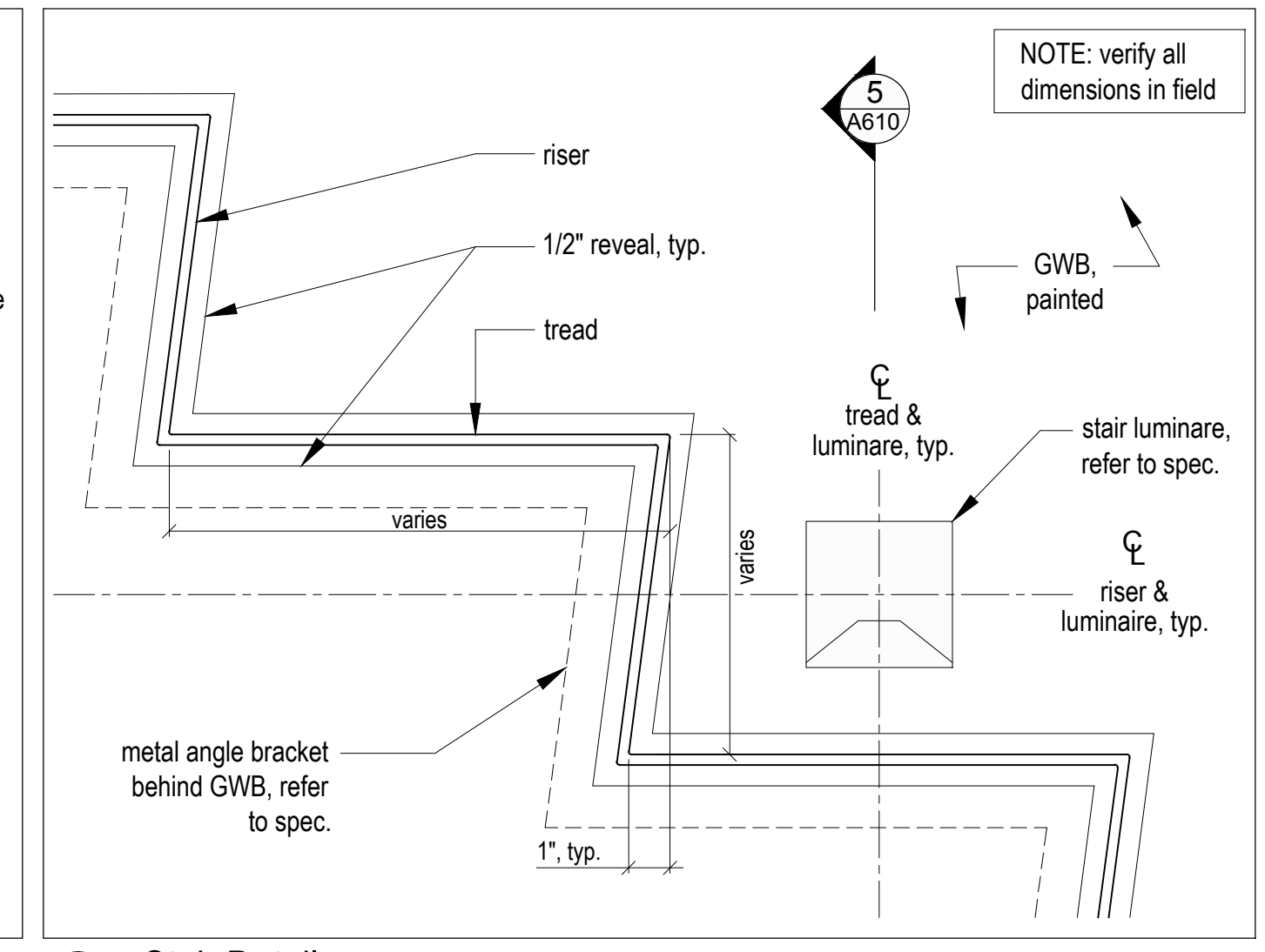
7 Handrail Connection - Detail
Scale 3" = 1'-0"



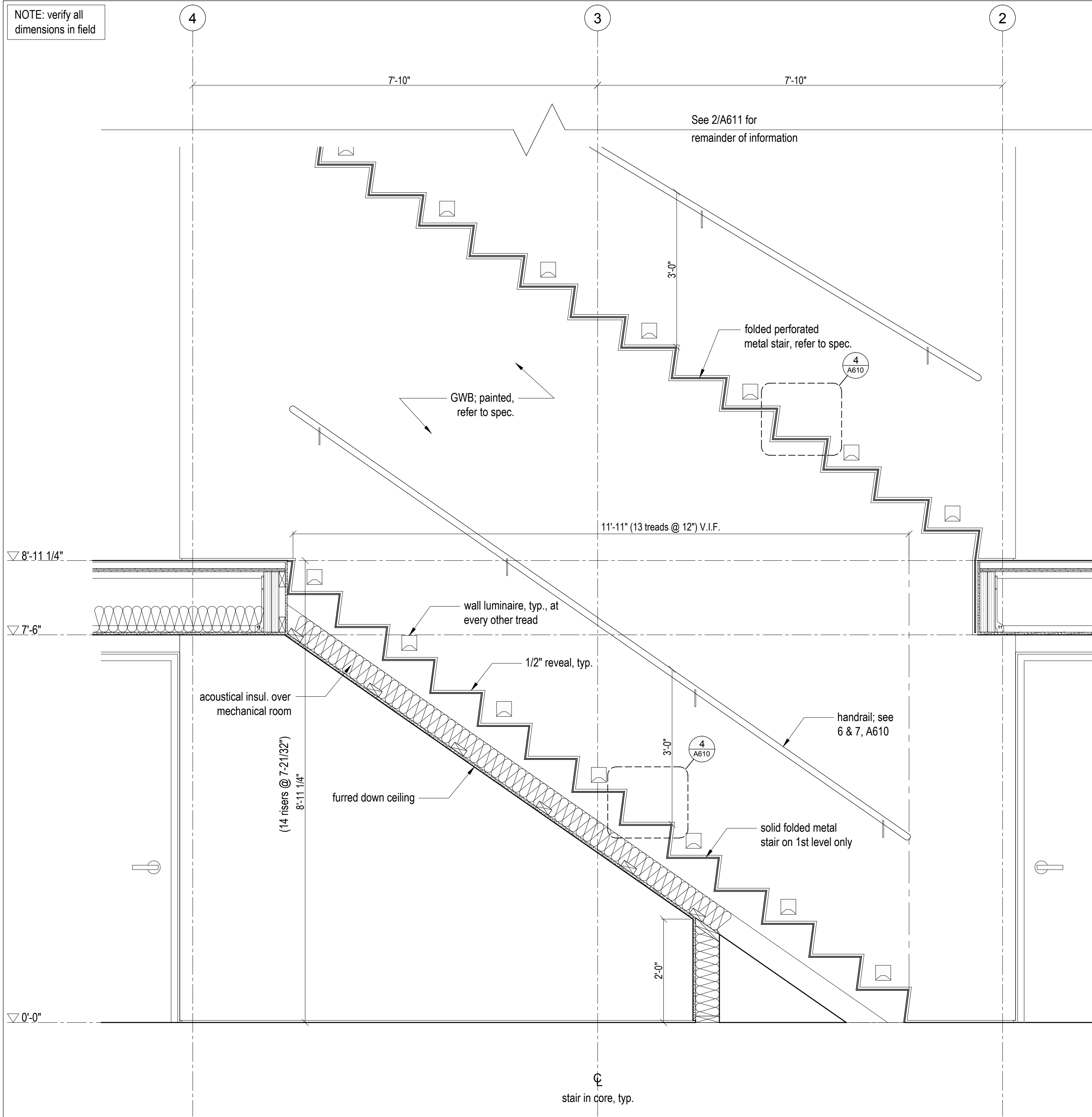
6 Handrail - Section Detail
Scale 3" = 1'-0"



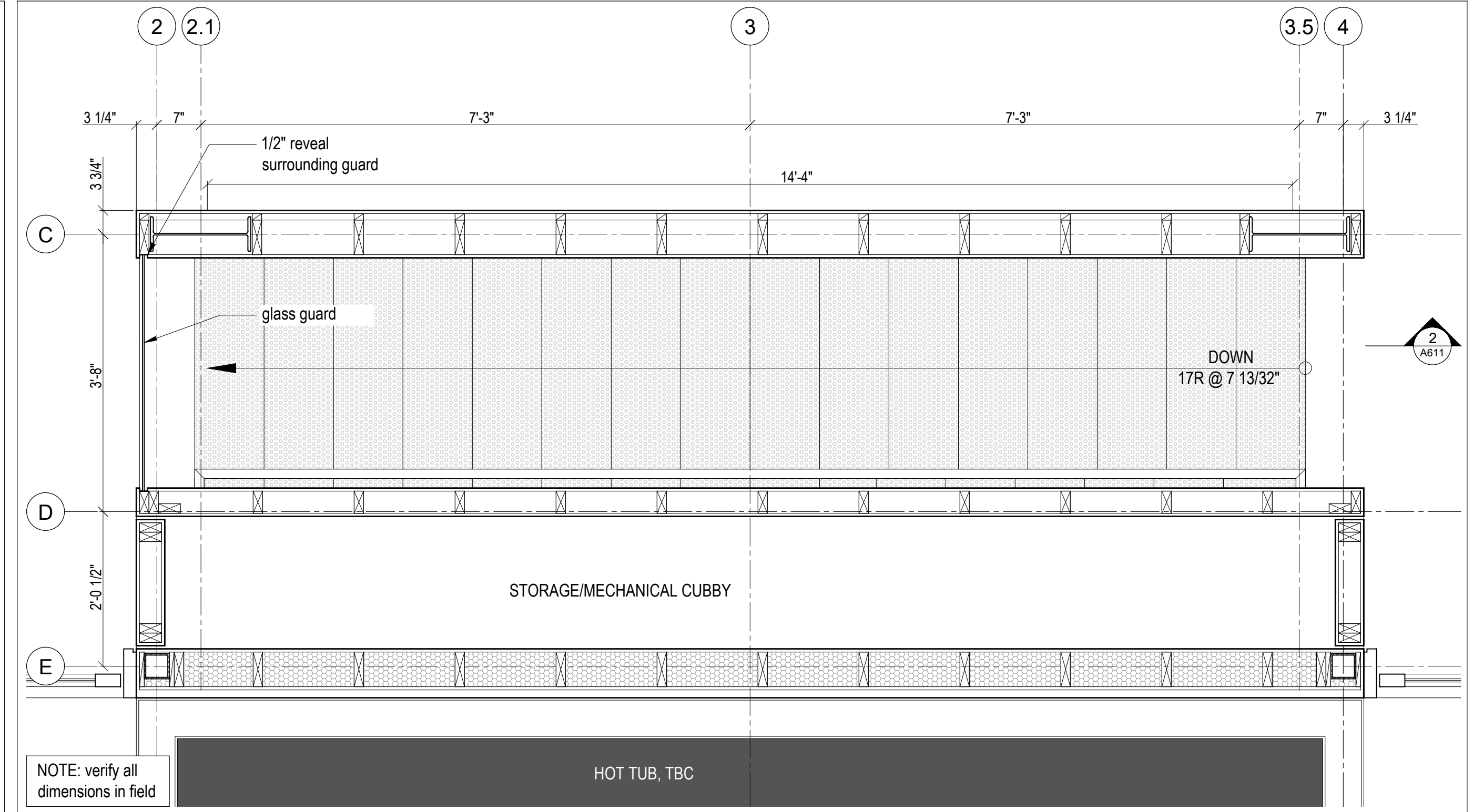
5 Stair Detail
Scale 3" = 1'-0"



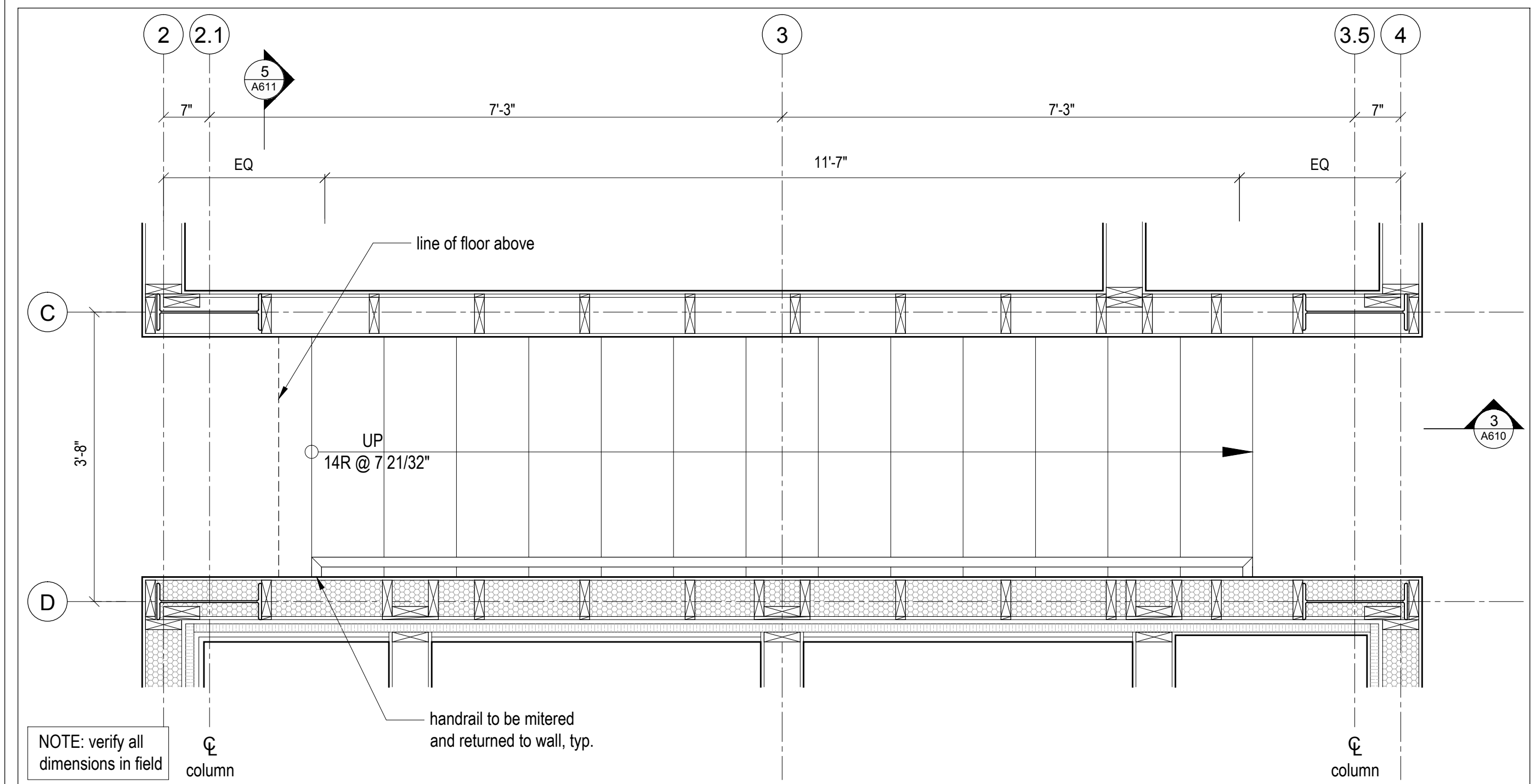
4 Stair Detail
Scale 3" = 1'-0"



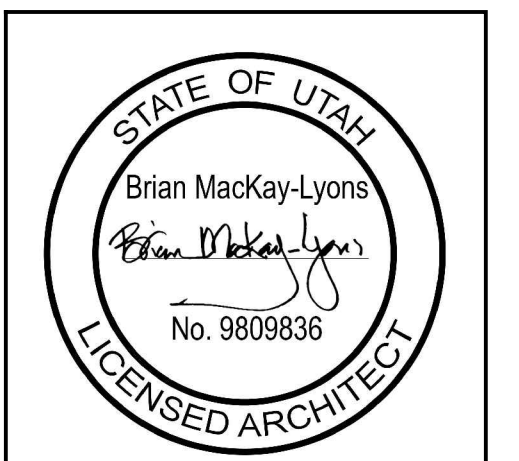
3 Lower Stair Section
Scale 3/4" = 1'-0"



2 Enlarged 4th Floor Plan
Scale 3/4" = 1'-0"



1 Enlarged 1st Floor Plan
Scale 3/4" = 1'-0"



No.	Description	Date
3	Issued for Construction	2018.03.13
2	Issued for Tender	2017.12.22
1	for coordination	2017.12.1

NOTES:

COPYRIGHT RELATED TO THE USE OF THIS DRAWING:
The use of this drawing shall be governed by standard copyright law as generally accepted in architectural practice.

ARCHITECT'S REQUIREMENTS AND APPROVALS:
It is the Builder's responsibility to notify Mackay-Lyons Sweetapple Architects Ltd. and to seek prior written approval for materials and workmanship which deviates from instructions provided by the Architect.

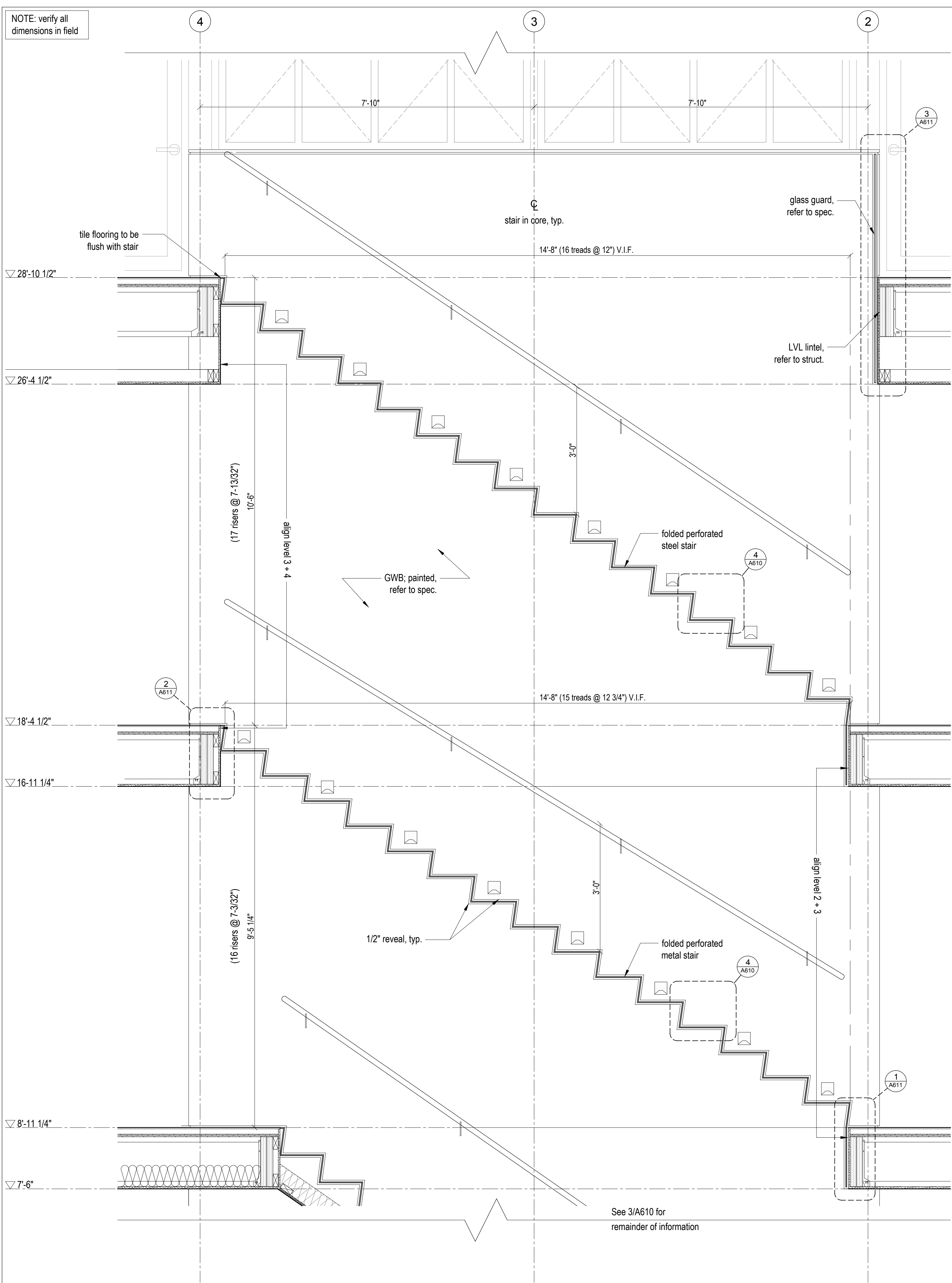
ENGINEER'S REQUIREMENTS AND APPROVALS:
It is the Builder's responsibility to notify Mackay-Lyons Sweetapple Architects Ltd. and to seek prior written approval for materials and workmanship which deviates from instructions provided by the Engineer.

AUTHORITIES' REQUIREMENTS AND APPROVALS:
All materials and workmanship must comply with the requirements of all authorities having jurisdiction over the work. It is the Builder's responsibility to gain necessary approval from all relevant Authorities.

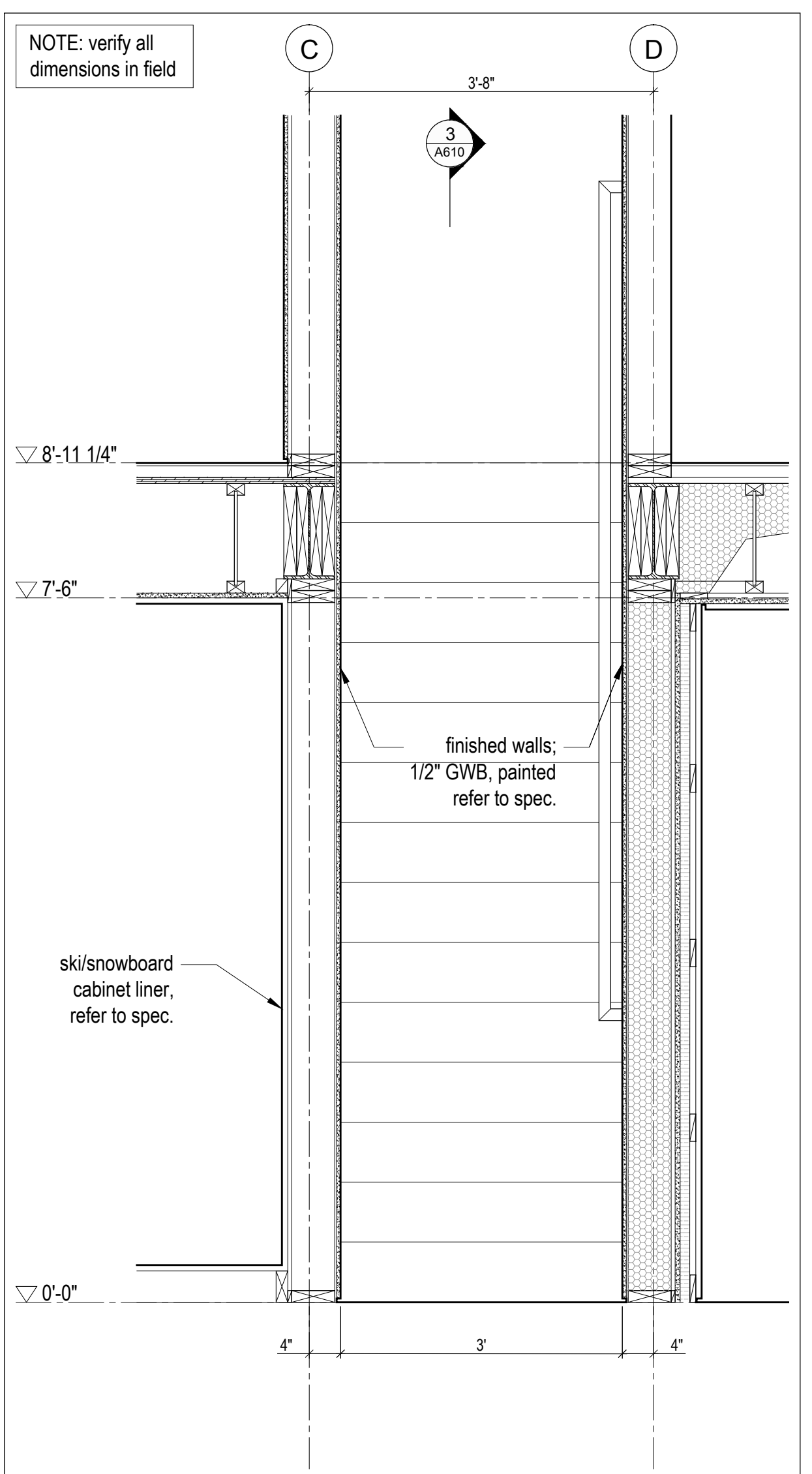
DIMENSIONS:
All dimensions must be verified on site. Do not scale off drawings. Plans take precedent over elevations. In the absence of dimensions, or if discrepancies exist, consult Architect. All minimum dimensions are to comply with the National Building Code of Canada.

SHOP DRAWINGS:
Submit shop drawings to the Architect and Engineer for approval prior to manufacture of prefabricated elements of the building.

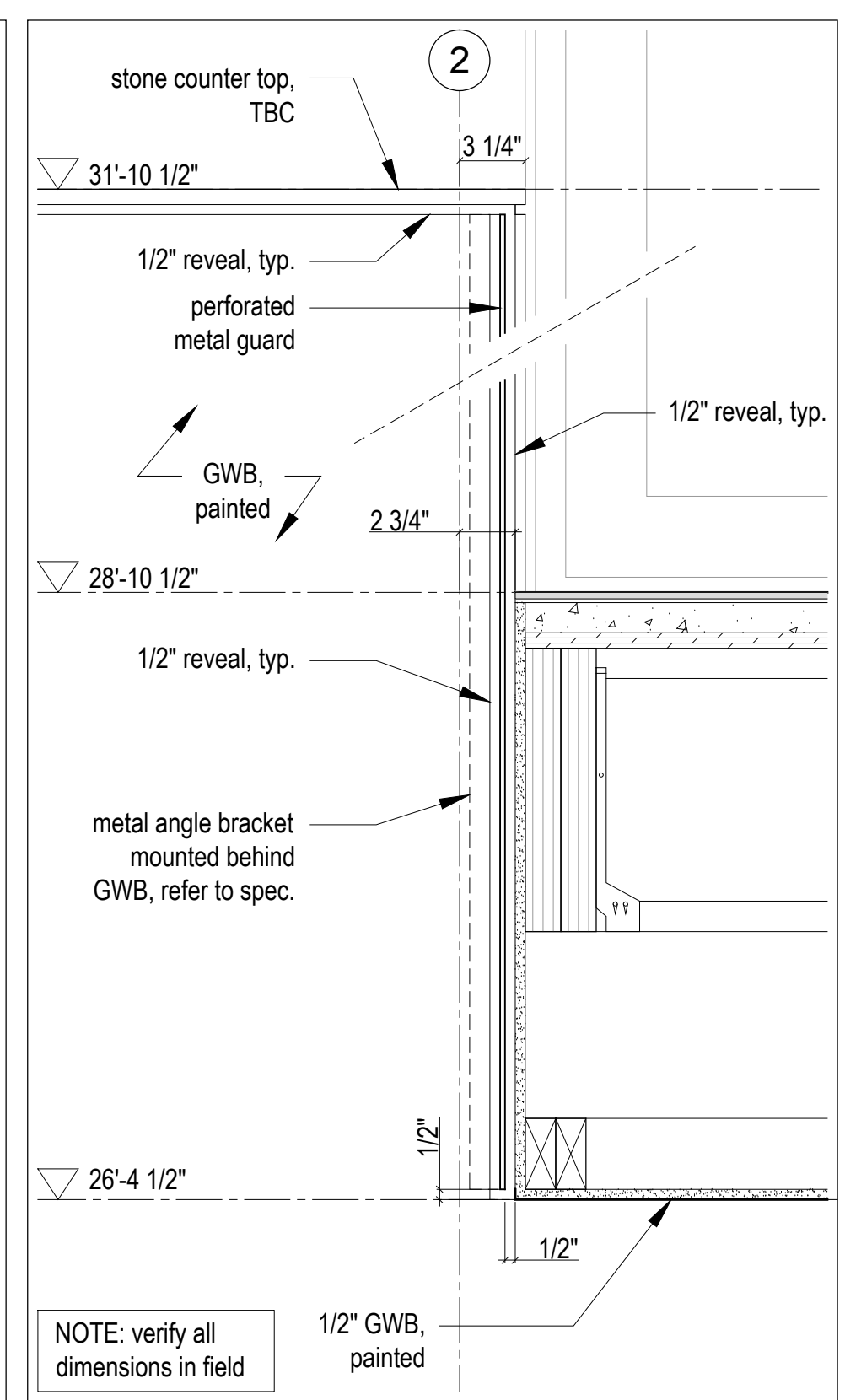
NOTE: verify all dimensions in field



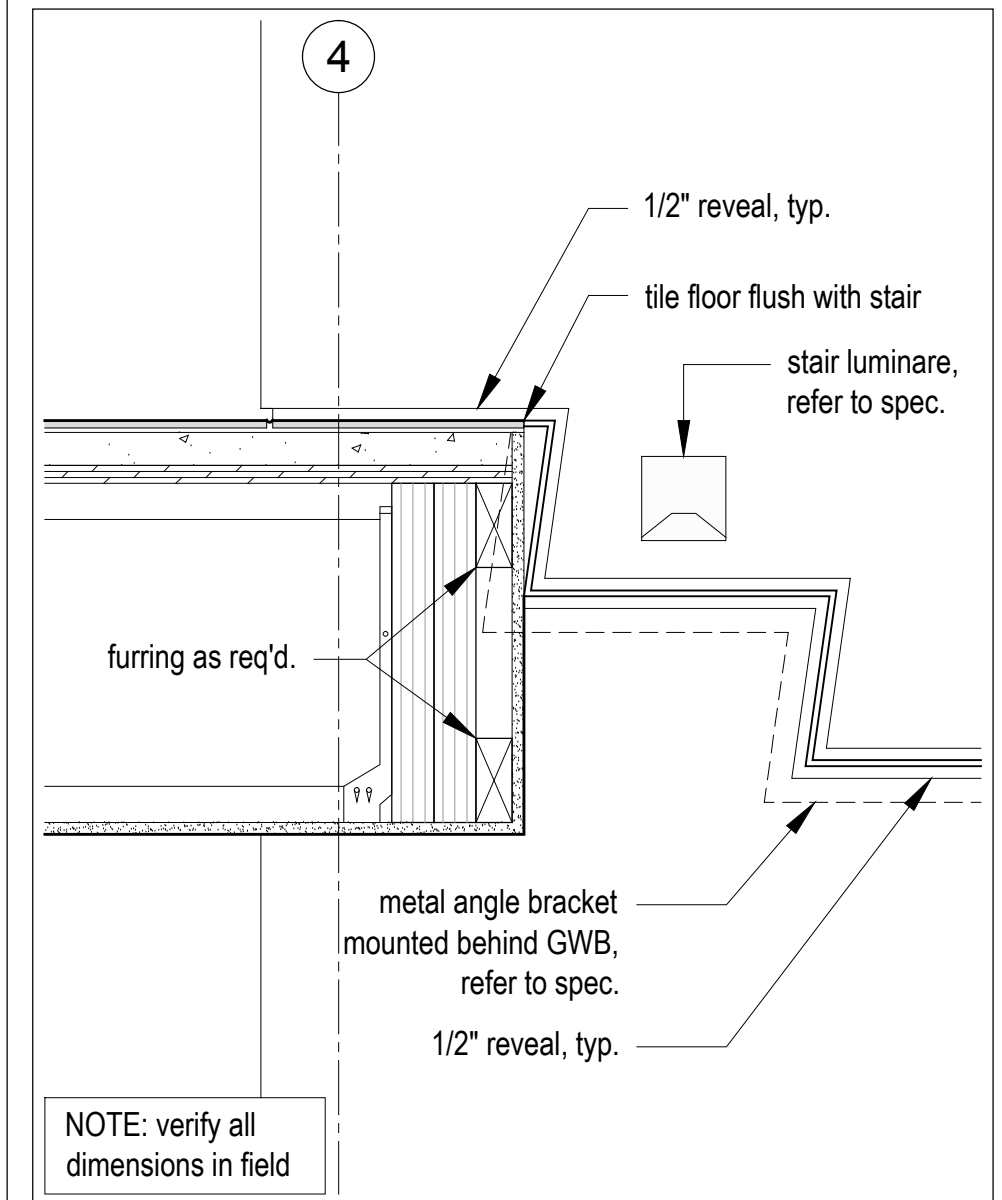
4 Upper Stair Section
Scale 3/4" = 1'-0"



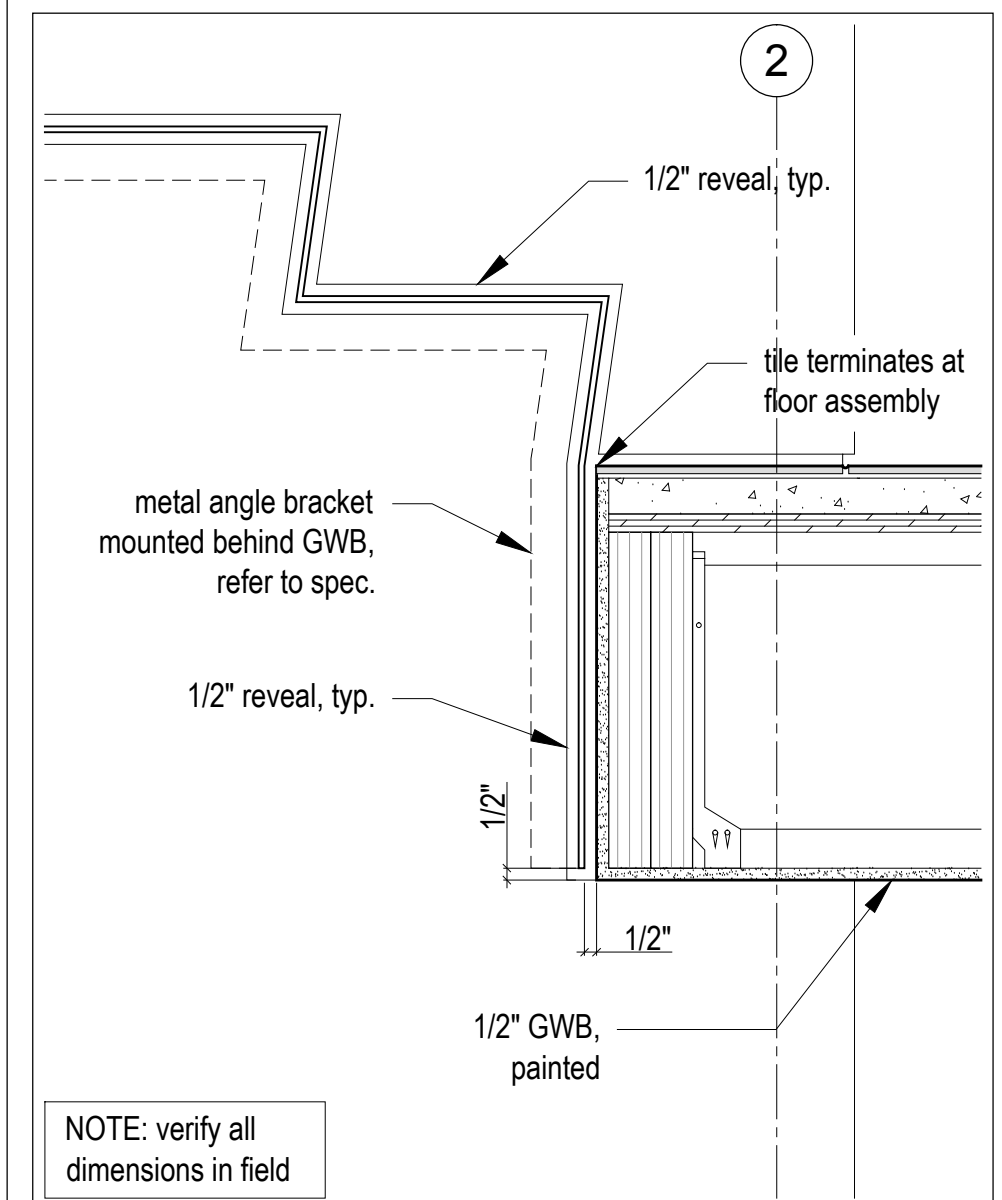
5 Level 1 Stair Section
Scale 3/4" = 1'-0"



3 Guard Detail
Scale 1 1/2" = 1'-0"



2 Top Threshold Detail
Scale 1 1/2" = 1'-0"



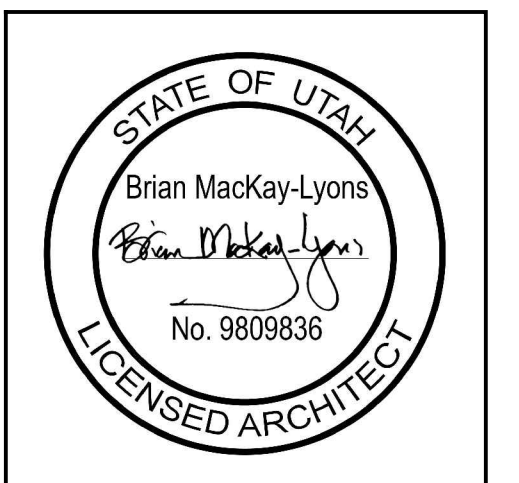
1 Bottom Threshold Detail, Typ.
Scale 1 1/2" = 1'-0"

LOT 71R
Village House 71

Mackay-Lyons
Sweetapple
Architects
Limited

2188 Göttingen St.
Halifax, Nova Scotia
Canada B3K 3B4

ph: (902) 429.1867
fax: (902) 429.6276



No.	Description	Date
3	Issued for Construction	2018.03.13
2	Issued for Tender	2017.12.22
1	for coordination	2017.12.1

NOTES:

COPYRIGHT RELATED TO THE USE OF THIS DRAWING:
The use of this drawing shall be governed by standard copyright law as generally accepted in architectural practice.

ARCHITECT'S REQUIREMENTS AND APPROVALS:
It is the Builder's responsibility to notify Mackay-Lyons Sweetapple Architects Ltd. and to seek prior written approval for materials and workmanship which deviates from instructions provided by the Architect.

ENGINEER'S REQUIREMENTS AND APPROVALS:
It is the Builder's responsibility to notify Mackay-Lyons Sweetapple Architects Ltd. and to seek prior written approval for materials and workmanship which deviates from instructions provided by the Engineer.

AUTHORITIES' REQUIREMENTS AND APPROVALS:
All materials and workmanship must comply with the requirements of all authorities having jurisdiction over the work. It is the Builder's responsibility to gain necessary approval from all relevant Authorities.

DIMENSIONS:
All dimensions must be verified on site. Do not scale off drawings. Plans take precedent over elevations. In the absence of dimensions, or if discrepancies exist, consult Architect. All minimum dimensions are to comply with the National Building Code of Canada.

SHOP DRAWINGS:
Submit shop drawings to the Architect and Engineer for approval prior to manufacture of prefabricated elements of the building.

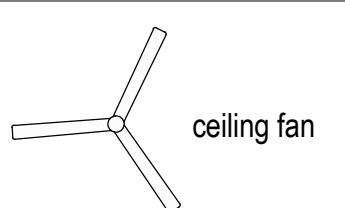
Stair

scale: as noted
date: 17-11-23
drawn: RD
chk'd: BML

A611

ELECTRIC LEGEND:

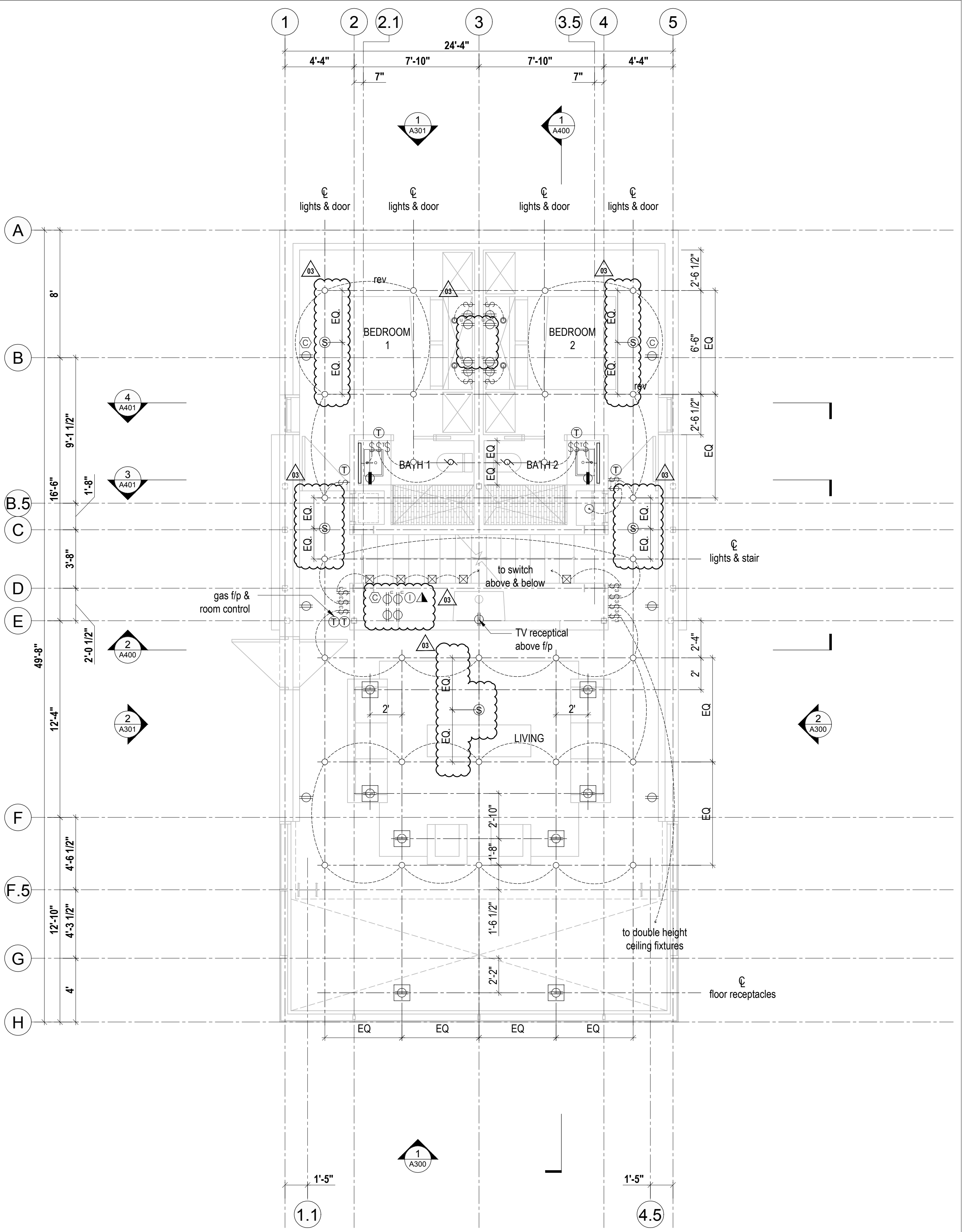
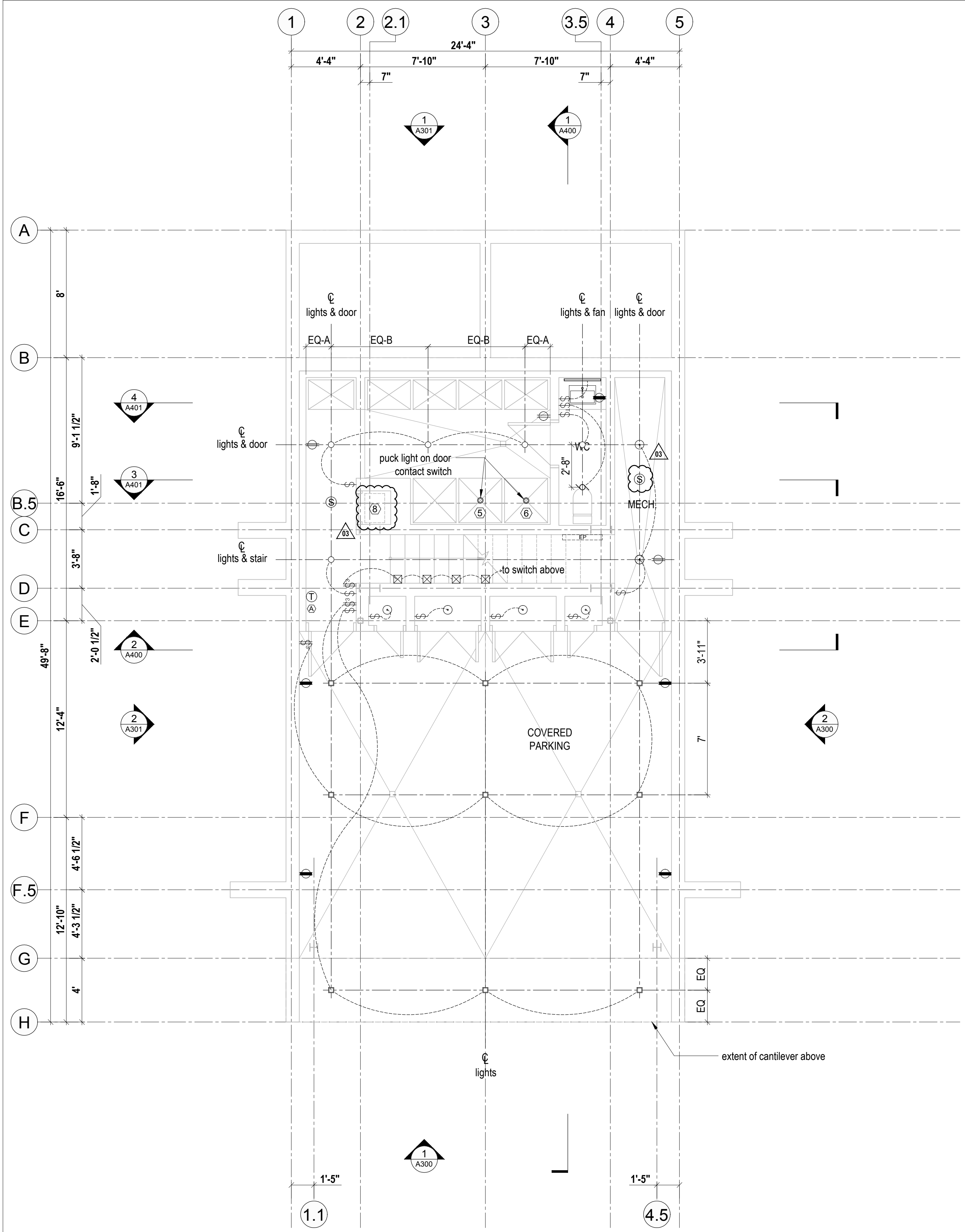
- 125v duplex
- GFCI duplex
- 240v duplex
- floor duplex
- shower luminaire
- wall mounted stair luminaire
- square trim LED potlight
- ceiling mounted utility luminaire
- single head spotlight
- puck light
- ceiling mounted pendant
- LED pot light
- wall switch
- ceiling mounted pendant
- three-way switch
- switch with timer
- exhaust fan
- cable jack
- internet jack
- telephone jack
- smoke & CO alarm
- thermostat
- alarm control pad
- interior LED strip light
- exterior LED strip light
- electrical panel



APPLIANCE LEGEND
(refer to appliance specs for electrical requirements)

- refrigerator / freezer
- dishwasher
- microwave
- oven
- washer
- dryer
- cooktop
- dumb-waiter
- hot tub
- vent hood

NOTE:
All exterior lighting to conform to Lighting Level LZ1: Low Ambient Lighting, Joint IOA-IES Lighting Ordinance, 2011



2 Ground Floor Plan
Scale 1/4" = 1'-0"

1 Second Floor Plan
Scale 1/4" = 1'-0"

Lot 71R
Village House

Summit Power Mountain
Evan Utah

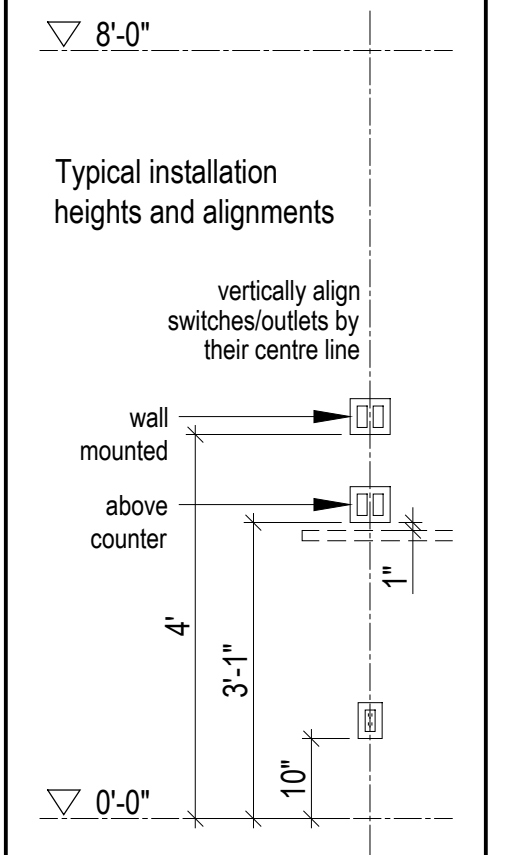
Mackay-Lyons
Sweetapple
Architects
Limited

2188 Göttingen St.
Halifax, Nova Scotia
Canada B3K 3B4

ph: (902) 429.1867
fax: (902) 429.6276



NOTE: all dimensions to be verified in field



No.	Description	Date
3	Issued for Construction	2018.03.13
2	Issued for Tender	2017.12.22
1	for coordination	2017.12.1

NOTES:

COPYRIGHT RELATED TO THE USE OF THIS DRAWING:
The use of this drawing shall be governed by standard copyright law as generally accepted in architectural practice.

ARCHITECT'S REQUIREMENTS AND APPROVALS:
It is the Builder's responsibility to notify Mackay-Lyons Sweetapple Architects Ltd. and to seek prior written approval for materials and workmanship which deviates from instructions provided by the Architect.

ENGINEER'S REQUIREMENTS AND APPROVALS:
It is the Builder's responsibility to notify Mackay-Lyons Sweetapple Architects Ltd. and to seek prior written approval for materials and workmanship which deviates from instructions provided by the Engineer.

AUTHORITIES' REQUIREMENTS AND APPROVALS:
All materials and workmanship must comply with the requirements of all authorities having jurisdiction over the work. It is the Builder's responsibility to gain necessary approval from all relevant Authorities.

DIMENSIONS:
All dimensions must be verified on site. Do not scale off drawings. Plans take precedent over elevations. In the absence of dimensions, or if discrepancies exist, consult Architect. All minimum dimensions are to comply with the International Residential Code.

SHOP DRAWINGS:
Submit shop drawings to the Architect and Engineer for approval prior to manufacture of prefabricated elements of the building.

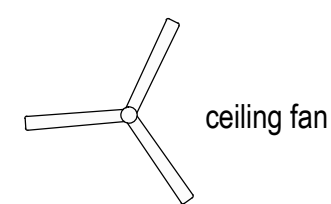
Ground & Second Floor
Electrical Plans

scale: 1/4" = 1'-0"
date: 17-11-23
drawn: RD
chk'd: BML

A800

ELECTRIC LEGEND:

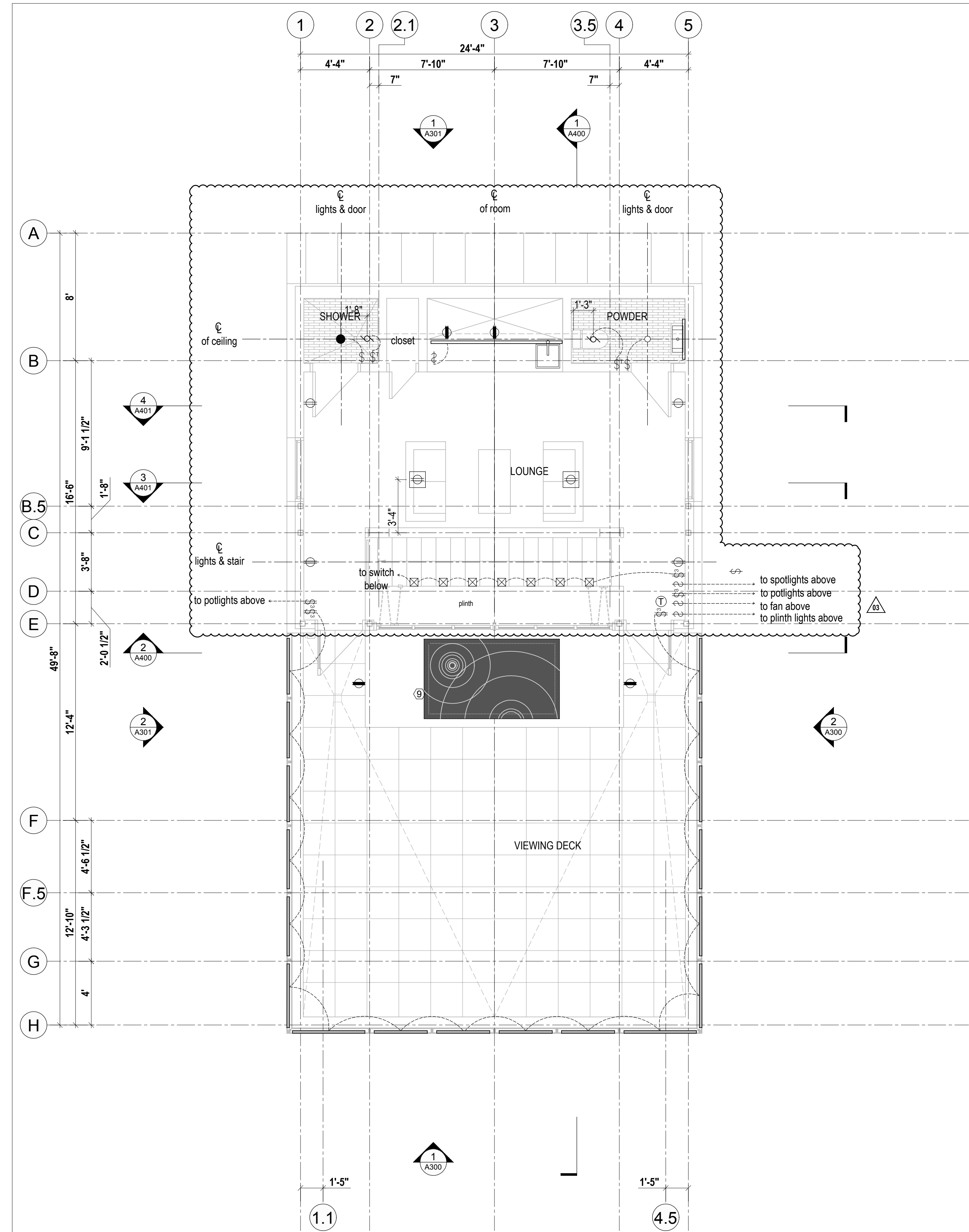
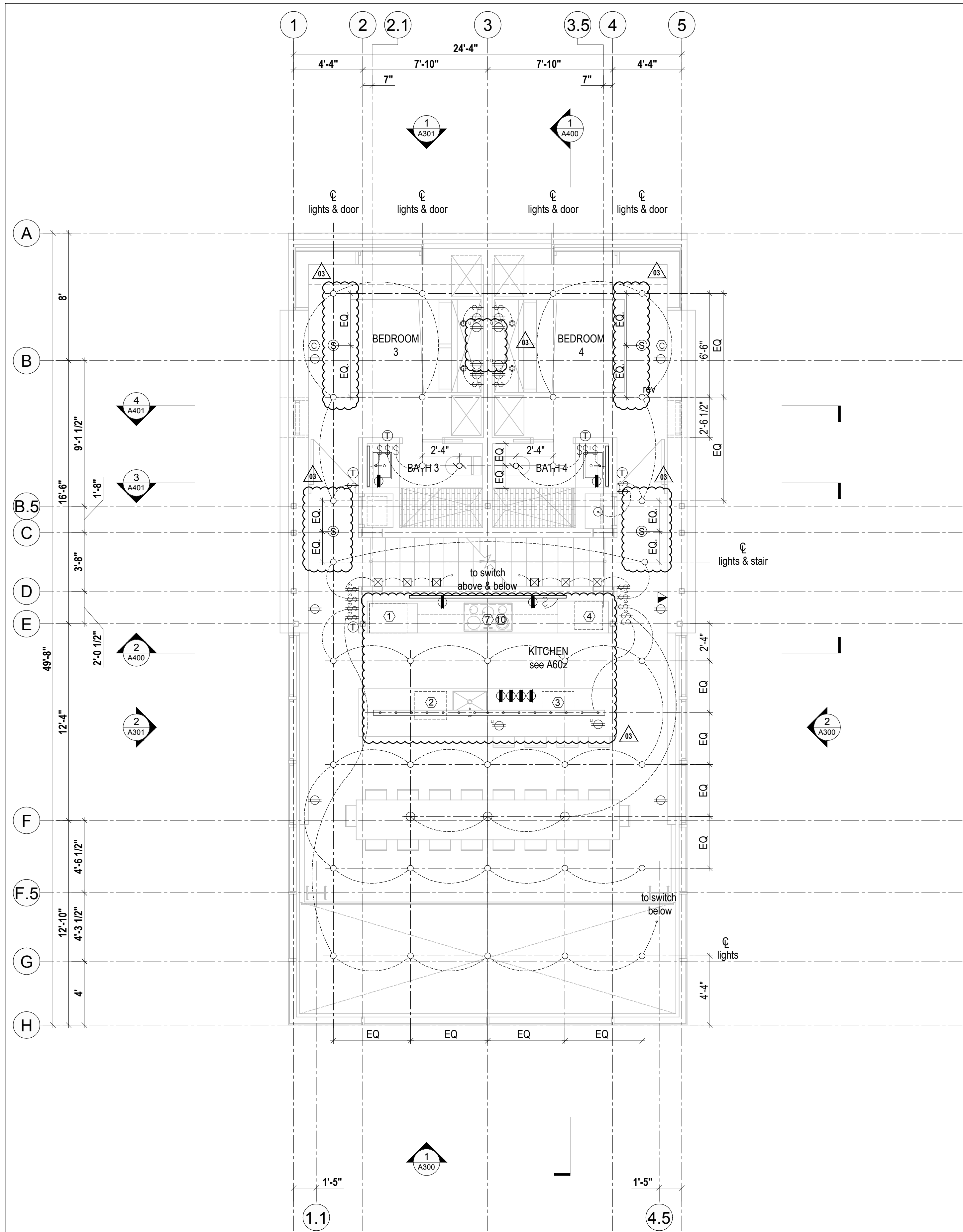
- ⊕ 125v duplex
- ⊕ GFCI duplex
- ⊕ 240v duplex
- ⊕ floor duplex
- ⊕ usb duplex
- shower luminaire
- ⊗ wall mounted stair luminaire
- ⊕ ceiling mounted utility luminaire
- ⊕ single head spotlight
- ⊕ puck light
- ⊕ ceiling mounted pendant
- ⊕ LED pot light
- ⊕ wall switch
- ⊕ ceiling mounted pendant
- ⊕ three-way switch
- ⊕ switch with timer
- ⊕ exhaust fan
- ⊕ cable jack
- ⊕ internet jack
- ⊕ telephone jack
- ⊕ smoke alarm (wall mounted)
- ⊕ thermostat
- ⊕ alarm control pad
- ⊕ carbon monoxide detector
- ⊕ interior LED strip light
- ⊕ exterior LED strip light
- ⊕ electrical panel



APPLIANCE LEGEND
(refer to appliance specs for electrical requirements)

- ① refrigerator / freezer
- ② dishwasher
- ③ microwave
- ④ oven
- ⑤ washer
- ⑥ dryer
- ⑦ cooktop
- ⑧ dumb-waiter
- ⑨ hot tub
- ⑩ vent hood

NOTE:
All exterior lighting to conform to Lighting Level LZ1: Low Ambient Lighting, Joint IOA-IES Lighting Ordinance, 2011



2 Third Floor Plan
Scale 1/4" = 1'-0"

1 Fourth Floor Plan
Scale 1/4" = 1'-0"

Lot 71R
Village House

Summit Power Mountain
Evan Utah

Mackay-Lyons
Sweetapple
Architects
Limited

2188 Göttingen St.
Halifax, Nova Scotia
Canada B3K 3B4

ph: (902) 429-1867
fax: (902) 429-6276

STATE OF UTAH
Brian Mackay-Lyons
No. 9809836
LICENSED ARCHITECT

NOTE: all dimensions to be verified in field

Typical installation heights and alignments

vertically align switches/outlets by their centre line

wall mounted above counter

4'

3'-1"

10"

▽ 8'-0"

▽ 0'-0"

3	Issued for Construction	2018.03.13
2	Issued for Tender	2017.12.22
1	for coordination	2017.12.1
No.	Description	Date

Revision:

NOTES:

COPYRIGHT RELATED TO THE USE OF THIS DRAWING:
The use of this drawing shall be governed by standard copyright law as generally accepted in architectural practice.

ARCHITECT'S REQUIREMENTS AND APPROVALS:
It is the Builder's responsibility to notify Mackay-Lyons Sweetapple Architects Ltd. and to seek prior written approval for materials and workmanship which deviates from instructions provided by the Architect.

ENGINEER'S REQUIREMENTS AND APPROVALS:
It is the Builder's responsibility to notify Mackay-Lyons Sweetapple Architects Ltd. and to seek prior written approval for materials and workmanship which deviates from instructions provided by the Engineer.

AUTHORITIES' REQUIREMENTS AND APPROVALS:
All materials and workmanship must comply with the requirements of all authorities having jurisdiction over the work. It is the Builder's responsibility to gain necessary approval from all relevant Authorities.

DIMENSIONS:
All dimensions must be verified on site. Do not scale off drawings. Plans take precedent over elevations. In the absence of dimensions, or if discrepancies exist, consult Architect. All minimum dimensions are to comply with the International Residential Code.

SHOP DRAWINGS:
Submit shop drawings to the Architect and Engineer for approval prior to manufacture of prefabricated elements of the building.

Third & Fourth
Electrical Plans

scale: 1/4" = 1'-0"
date: 17-11-23
drawn: RD
chk'd: BML

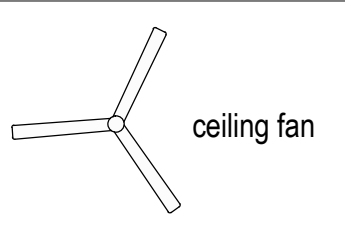
A801

ELECTRIC LEGEND:

- 125v duplex
- GFCI duplex
- 240v duplex
- floor duplex
- shower luminaire
- wall mounted stair luminaire
- square trim LED potlight
- ceiling mounted utility luminaire
- single head spotlight
- puck light
- ceiling mounted pendant
- LED pot light
- wall switch
- ceiling mounted pendant

- three-way switch
- switch with timer
- exhaust fan
- cable jack
- internet jack
- telephone jack
- smoke alarm (wall mounted)

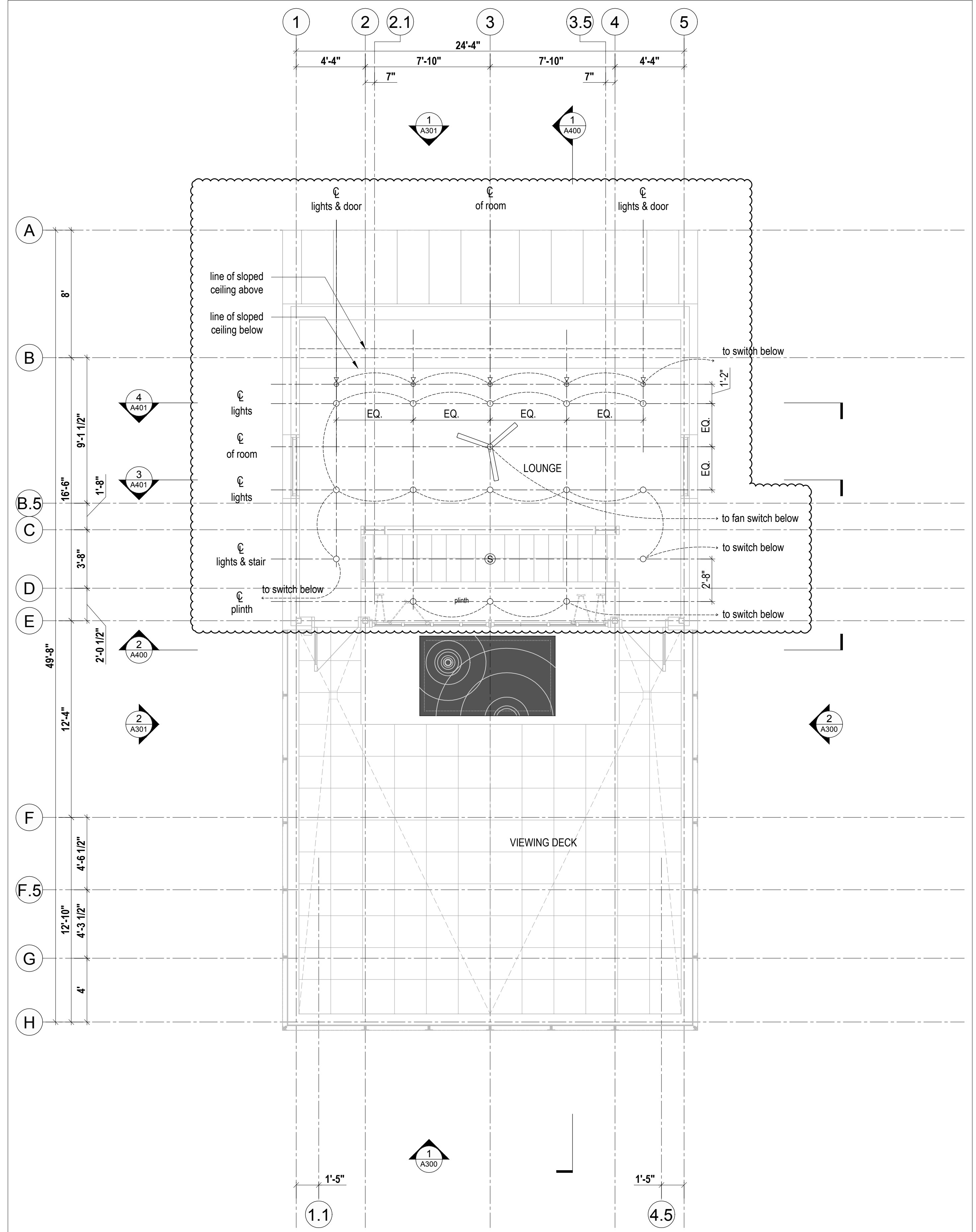
- thermostat
- alarm control pad
- carbon monoxide detector
- interior LED strip light
- exterior LED strip light
- electrical panel



APPLIANCE LEGEND
(refer to appliance specs for electrical requirements)

- ① refrigerator / freezer
- ② dishwasher
- ③ microwave
- ④ oven
- ⑤ washer
- ⑥ dryer
- ⑦ cooktop
- ⑧ dumb-waiter
- ⑨ hot tub
- ⑩ vent hood

NOTE:
All exterior lighting to conform to Lighting Level LZ1: Low Ambient Lighting, Joint IOA-IES Lighting Ordinance, 2011



① Loft Plan
Scale 1/4" = 1'-0"

Lot 71R
Village House

Summit Power Mountain
Evan, Utah

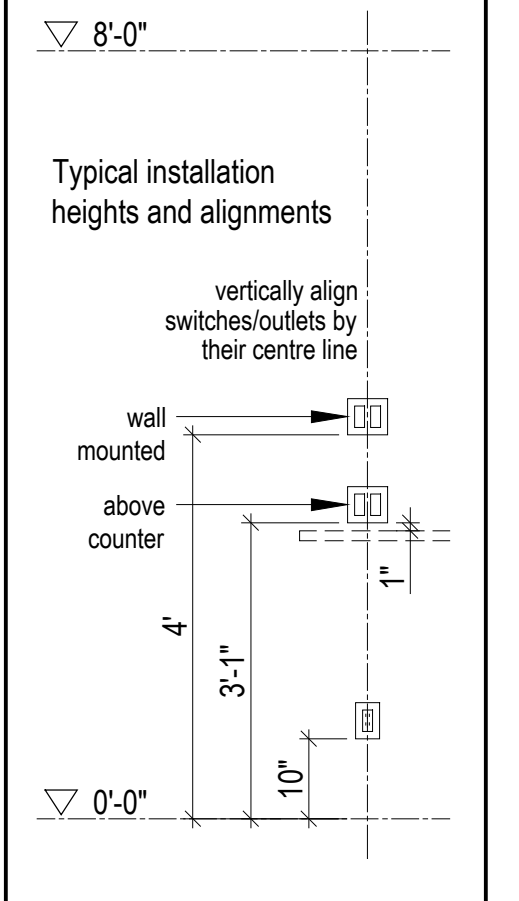
Mackay-Lyons
Sweetapple
Architects
Limited

2188 Göttingen St.
Halifax, Nova Scotia
Canada B3K 3B4

ph: (902) 429.1867
fax: (902) 429.6276

STATE OF UTAH
Brian Mackay-Lyons
No. 9809836
LICENSED ARCHITECT

NOTE: all dimensions to be verified in field



3	Issued for Construction	2018.03.13
2	Issued for Tender	2017.12.22
1	for coordination	2017.12.1
No.	Description	Date

Revision:

NOTES:

COPYRIGHT RELATED TO THE USE OF THIS DRAWING:
The use of this drawing shall be governed by standard copyright law as generally accepted in architectural practice.

ARCHITECT'S REQUIREMENTS AND APPROVALS:
It is the Builder's responsibility to notify Mackay-Lyons Sweetapple Architects Ltd. and to seek prior written approval for materials and workmanship which deviates from instructions provided by the Architect.

ENGINEER'S REQUIREMENTS AND APPROVALS:
It is the Builder's responsibility to notify Mackay-Lyons Sweetapple Architects Ltd. and to seek prior written approval for materials and workmanship which deviates from instructions provided by the Engineer.

AUTHORITIES' REQUIREMENTS AND APPROVALS:
All materials and workmanship must comply with the requirements of all authorities having jurisdiction over the work. It is the Builder's responsibility to gain necessary approval from all relevant Authorities.

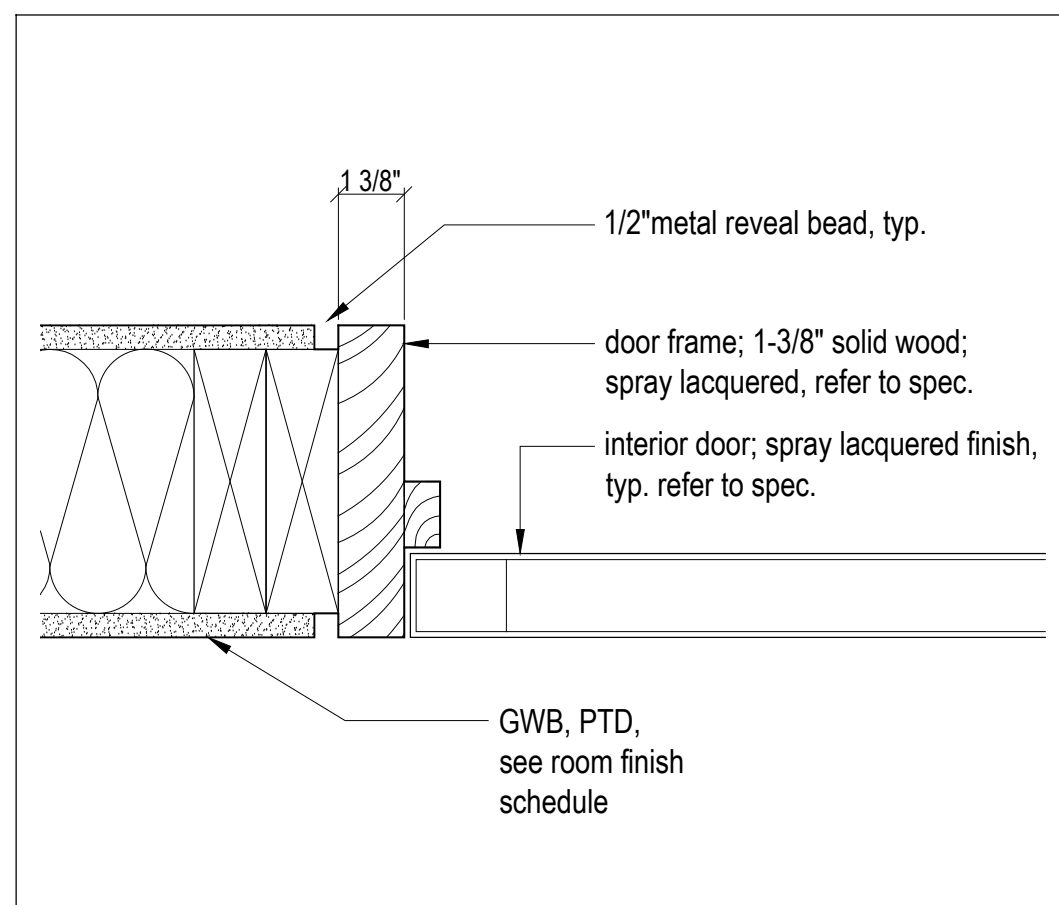
DIMENSIONS:
All dimensions must be verified on site. Do not scale off drawings. Plans take precedent over elevations. In the absence of dimensions, or if discrepancies exist, consult Architect. All minimum dimensions are to comply with the International Residential Code.

SHOP DRAWINGS:
Submit shop drawings to the Architect and Engineer for approval prior to manufacture of prefabricated elements of the building.

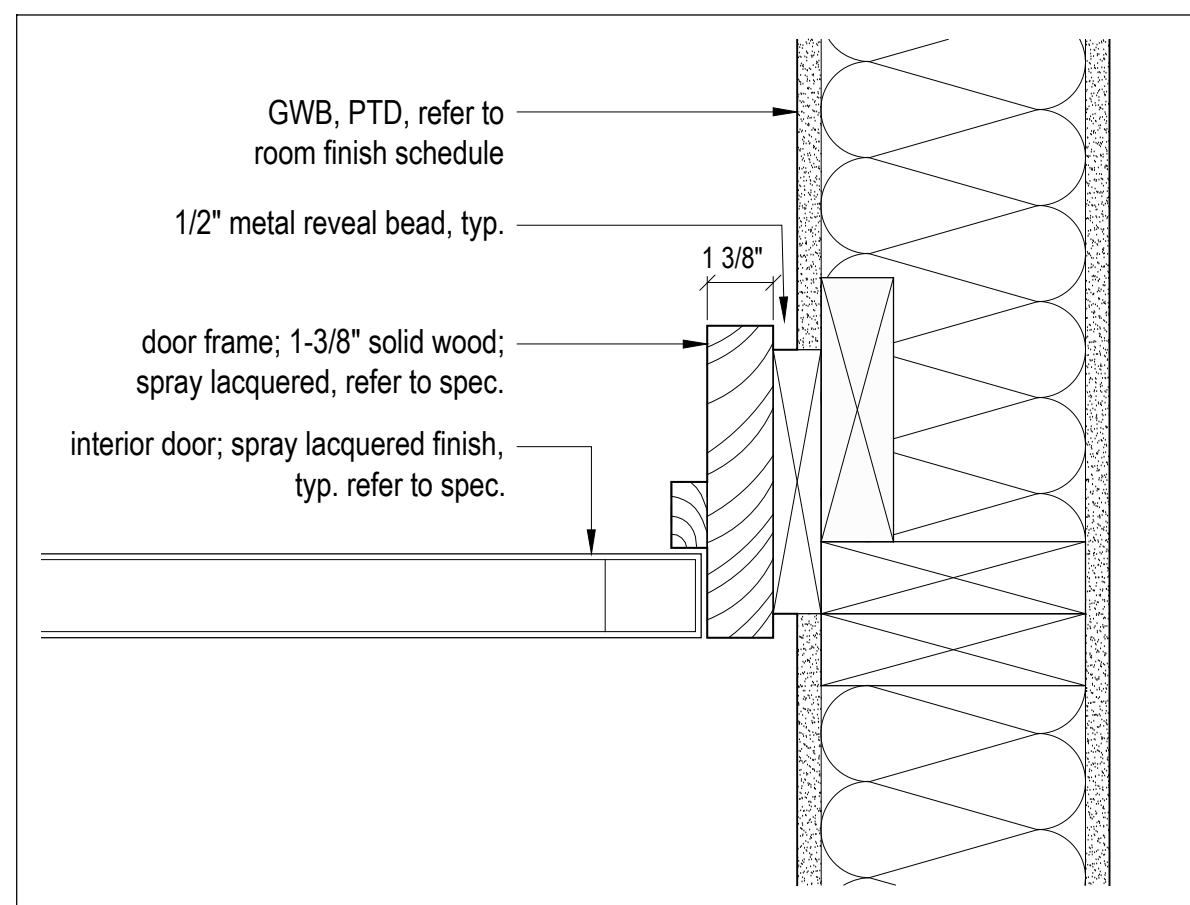
Level 4
Electrical Plan

scale: 1/4" = 1'-0"
date: 17-11-23
drawn: RD
chk'd: BML

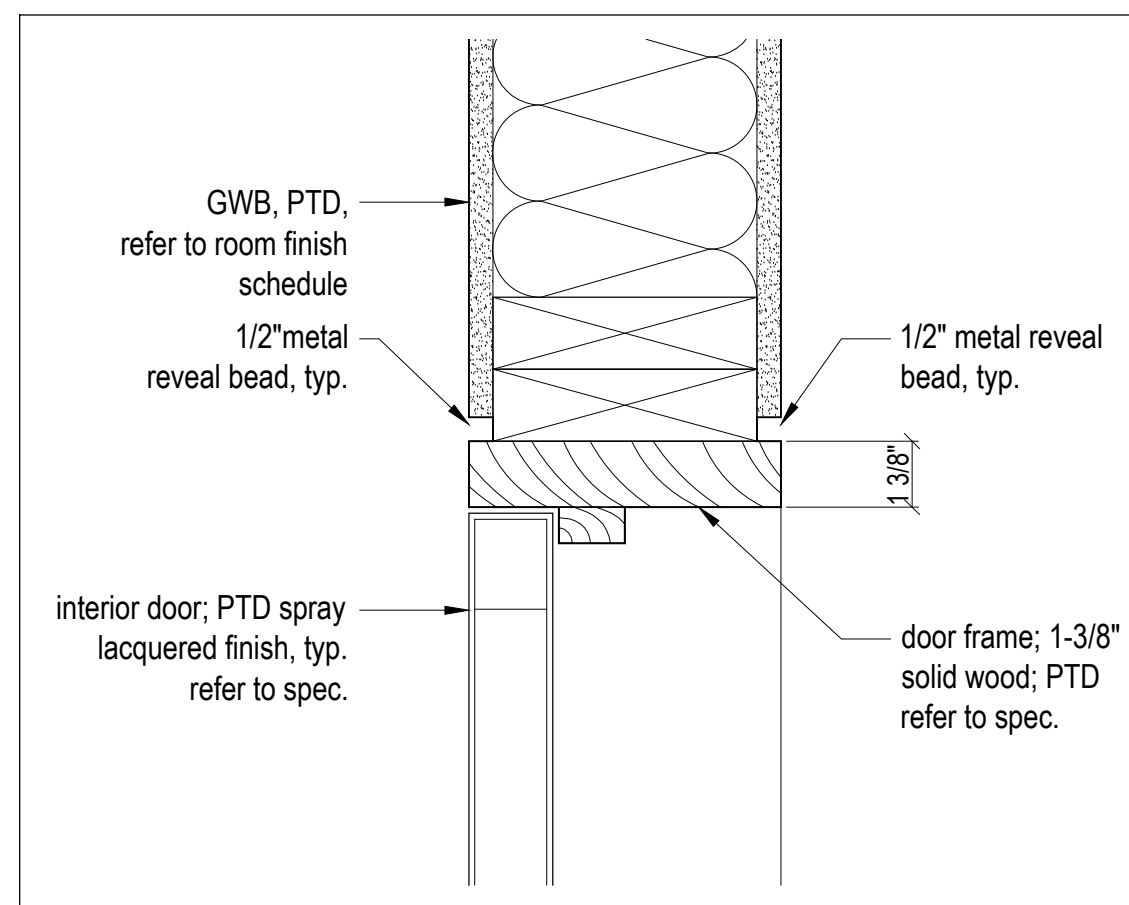
A802



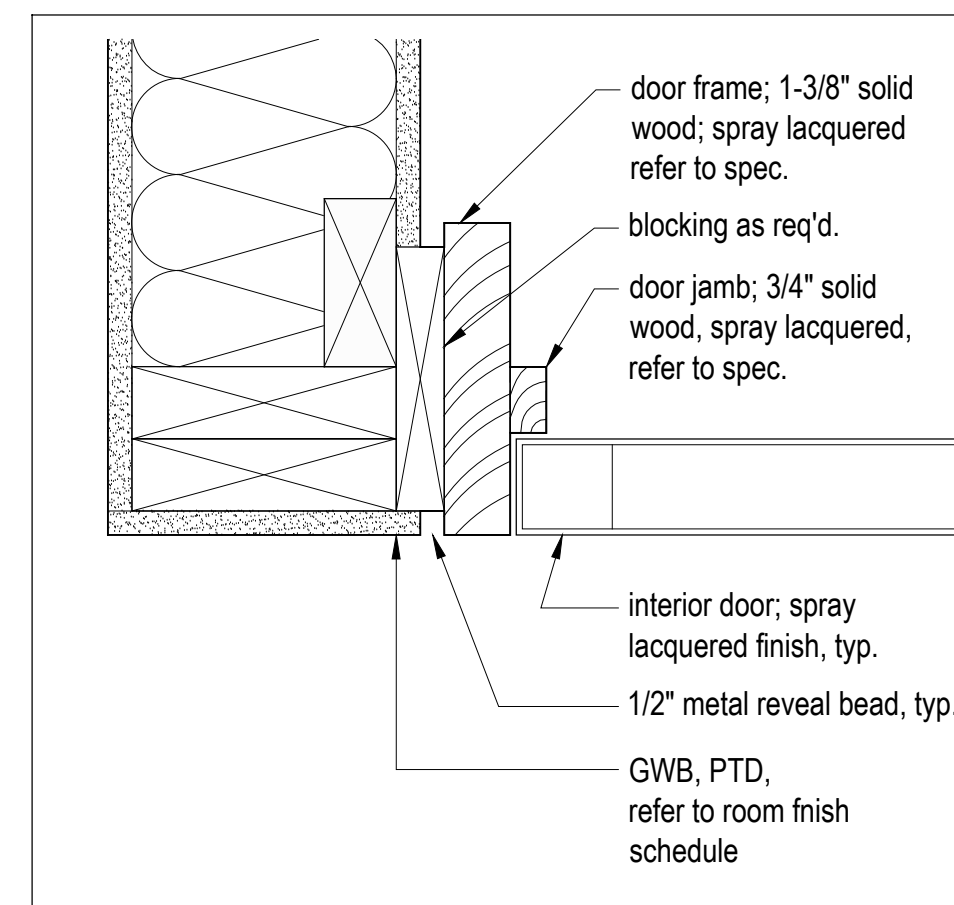
6
A900
Typical Door Frame - Jamb Detail
Scale 3" = 1'-0"



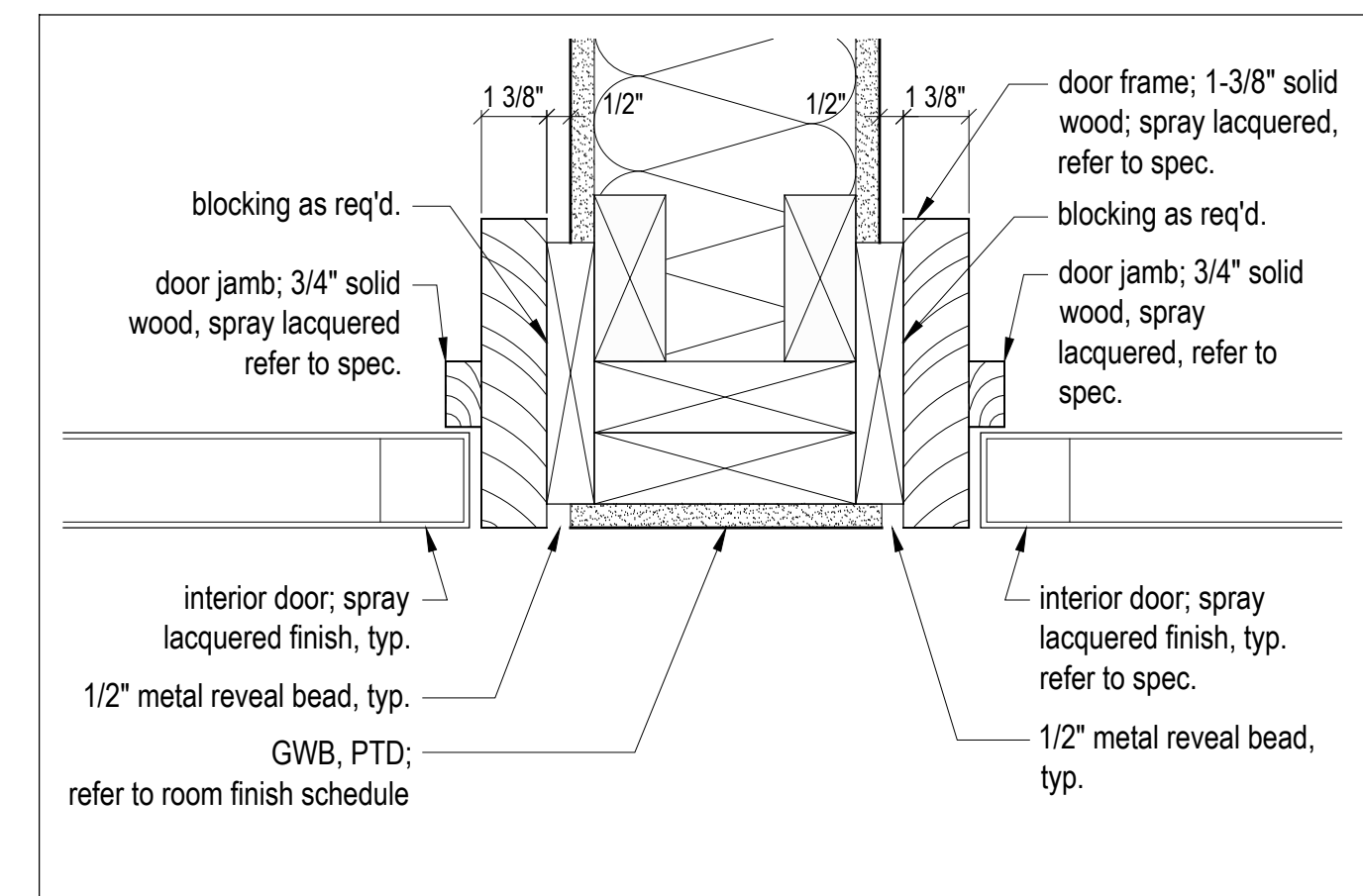
5
A900
Typical Door Frame - Jamb Detail
Scale 3" = 1'-0"



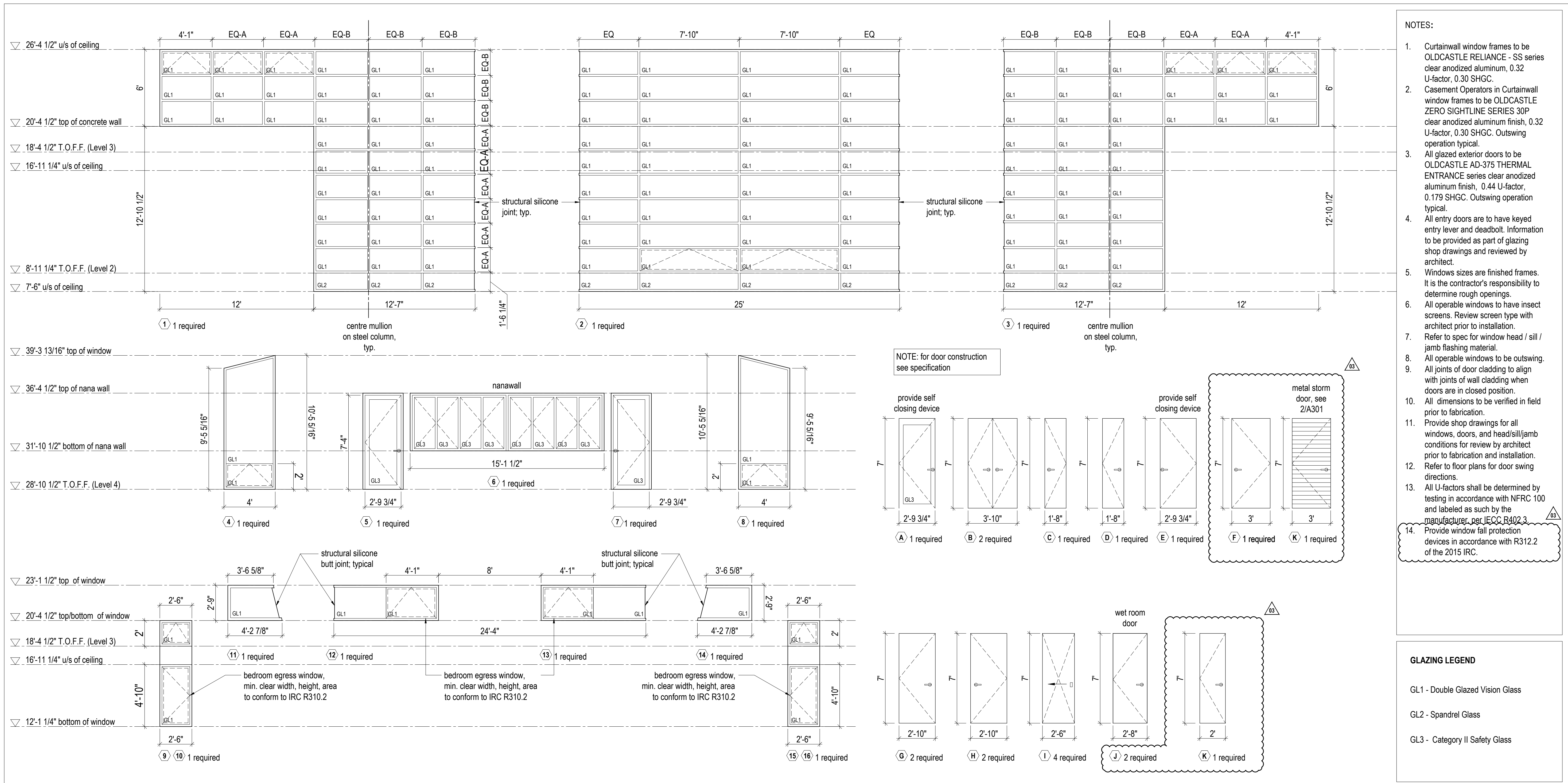
4
A900
Typical Door Frame - Head Detail
Scale 3" = 1'-0"



3
A900
Typical Door Frame - Jamb Detail
Scale 3" = 1'-0"



2
A900
Typical Door Frame - Jamb Detail
Scale 3" = 1'-0"



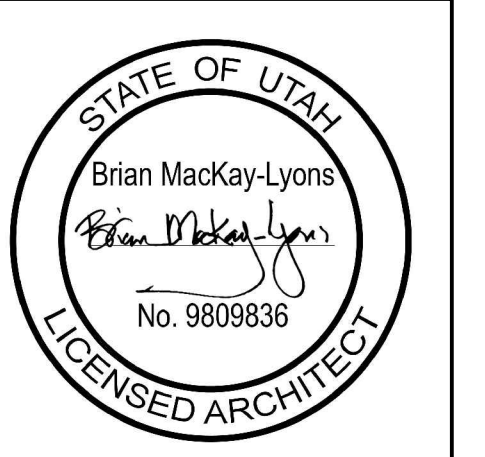
1
A900
Window & Door Schedule
Scale 1/4" = 1'-0"

Lot 71R
Village House

Mackay-Lyons
Sweetapple
Architects
Limited

2188 Göttingen St.
Halifax, Nova Scotia
Canada B3K 3B4

ph: (902) 429-1867
fax: (902) 429-6276



No.	Description	Date
3	Issued for Construction	2018.03.13
2	Issued for Tender	2017.12.22
1	for coordination	2017.12.1

NOTES:

COPYRIGHT RELATED TO THE USE OF THIS DRAWING:
The use of this drawing shall be governed by standard copyright law as generally accepted in architectural practice.

ARCHITECT'S REQUIREMENTS AND APPROVALS:
It is the Builder's responsibility to notify Mackay-Lyons Sweetapple Architects Ltd. and to seek prior written approval for materials and workmanship which deviates from instructions provided by the Architect.

ENGINEER'S REQUIREMENTS AND APPROVALS:
It is the Builder's responsibility to notify Mackay-Lyons Sweetapple Architects Ltd. and to seek prior written approval for materials and workmanship which deviates from instructions provided by the Engineer.

AUTHORITIES' REQUIREMENTS AND APPROVALS:
All materials and workmanship must comply with the requirements of all authorities having jurisdiction over the work. It is the Builder's responsibility to gain necessary approval from all relevant Authorities.

DIMENSIONS:
All dimensions must be verified on site. Do not scale off drawings. Plans take precedent over elevations. In the absence of dimensions, or if discrepancies exist, consult Architect. All minimum dimensions are to comply with the International Residential Code.

SHOP DRAWINGS:
Submit shop drawings to the Architect and Engineer for approval prior to manufacture of prefabricated elements of the building.

Window / Door Schedule

scale: 1/4" = 1'-0"
 date: 17-11-23
 drawn: RD
 chkd: BML

A900

SEAL:



010000 GENERAL

- 1. CONFORM TO THE REQUIREMENTS OF THE BUILDING CODE OF IBC 2015, LATEST EDITION, AND ALL OTHER APPLICABLE LOCAL CODES AND REGULATIONS OF AGENCIES HAVING JURISDICTION.
2. READ STRUCTURAL DRAWINGS IN CONJUNCTION WITH THE SPECIFICATIONS AND ALL OTHER CONTRACT DOCUMENTS.
3. BEFORE PROCEEDING WITH WORK, CHECK ALL THE DIMENSIONS SHOWN ON THE STRUCTURAL DRAWINGS WITH THE ARCHITECTURAL, MECHANICAL AND ELECTRICAL DRAWINGS AND REPORT DISCREPANCIES TO THE CONSULTANT.
4. REFER TO THE ARCHITECTURAL AND OTHER DRAWINGS FOR LOCATIONS OF PITS, OPENINGS AND SLEEVES NOT SHOWN ON THE STRUCTURAL DRAWINGS. HOWEVER, OBTAIN THE CONSULTANT'S PRIOR APPROVAL BEFORE INSTALLING OPENINGS, SLEEVES, ETC. WHICH ARE NOT SHOWN ON STRUCTURAL DRAWINGS.
5. SEE ARCHITECTURAL, MECHANICAL AND ELECTRICAL DRAWINGS FOR LOCATIONS OF PITS, BASES, SUMPS, TRENCHES, DEPRESSIONS, GROOVES, CURBS, CHAMFERS AND SLOPES NOT SHOWN ON STRUCTURAL DRAWINGS.
6. HORIZONTAL AND VERTICAL DESIGN LOADS ARE NOTED. THEY SHALL NOT BE EXCEEDED DURING CONSTRUCTION.
7. TYPICAL STRUCTURAL DETAILS SHALL GOVERN THE WORK. IF DETAILS DIFFER ON THE DRAWINGS, THE MOST STRINGENT SHALL GOVERN.
8. ALL TEMPORARY WORKS INCLUDING SHORING ARE TO BE PROVIDED BY THE CONTRACTOR.

010001 DESIGN NOTES

- 1. ALL WORK SHALL CONFORM TO THE MINIMUM STANDARDS AND REQUIREMENTS OF THE FOLLOWING CODES:
2. THE IRC 2015, AND ALL OTHER APPLICABLE LOCAL CODES AND REGULATIONS HAVING JURISDICTION.
3. AMERICAN SOCIETY OF CIVIL ENGINEERS: ASCE 7-10 MINIMUM DESIGN LOADS FOR BUILDINGS AND OTHER STRUCTURES.
4. AMERICAN CONCRETE INSTITUTE (ACI): ACI-318-14 BUILDING CODE REQUIREMENTS FOR STRUCTURAL CONCRETE.
5. AMERICAN INSTITUTE OF STEEL CONSTRUCTION (AISC): AISC-325 AMERICAN INSTITUTE OF STEEL CONSTRUCTION MANUAL 14TH EDITION.
6. AMERICAN INSTITUTE OF STEEL CONSTRUCTION (AISC): AISC 360-16 SPECIFICATIONS FOR STRUCTURAL STEEL STRUCTURES.
7. AMERICAN INSTITUTE OF STEEL CONSTRUCTION (AISC): AISC-341-16 SEISMIC PROVISIONS FOR STRUCTURAL STEEL BUILDINGS.
8. AMERICAN INSTITUTE OF STEEL CONSTRUCTION (AISC): AISC-358-11 PREQUALIFIED CONNECTIONS FOR SPECIAL AND INTERMEDIATE STEEL MOMENT FRAMES FOR SEISMIC APPLICATIONS - INCLUDING SUPPLEMENT NO. 1.
9. AMERICAN WOOD COUNCIL (AWC): NDS-2015 NATIONAL DESIGN SPECIFICATION FOR WOOD CONSTRUCTION COMMENTARY - WITH SUPPLEMENT 2015 EDITION.
10. AMERICAN WOOD COUNCIL (AWC): SDPWS-2015 SPECIAL DESIGN PROVISIONS FOR WIND AND SEISMIC.
11. FORCES ON STRUCTURAL FRAME:

- A. LIVE: VARIES REFER TO NOTES UNDER PLANS
B. DEAD: VARIES REFER TO NOTES UNDER PLANS
C. SNOW: VARIES REFER TO NOTES UNDER PLANS
= 1.0
= 1.0
= 1
= 1
= 270psf
= 189psf
= 189psf
FROST DEPTH: = 40in
= 115mph
= C

12. SEISMIC ANALYSIS:

- A. SEISMIC IMPORTANCE FACTOR (I): = 1
B. RISK CATEGORY: = II
= 0.813g
= 0.289g
= C
= 0.582g
= 0.274g
= D

17. LATERAL LOAD RESISTING SYSTEMS

- A. THE LATERAL FORCES ARE RESISTED BY:
I) LATERAL SYSTEM: BEARING WALL SYSTEM PLYWOOD SHEARWALLS
RESPONSE MOD. COEFFICIENT(R): 6.5
OVERSTRENGTH FACTOR(O): 3
DEFLECTION MODIFICATION FACTOR(Cd): 4
II) LATERAL SYSTEM: MOMENT RESISTING FRAMES (SMF)
RESPONSE MOD. COEFFICIENT(R): 8
OVERSTRENGTH FACTOR(O): 3
DEFLECTION MODIFICATION FACTOR(Cd): 5.5
**DECREASE DEFLECTION LIMITS IN ACCORDANCE WITH ASCE-7 12.12.1.1. MOMENT FRAMES IN SEISMIC REGIONS D THROUGH F
B. SEISMIC ANALYSIS PROCEDURE: EQUIVALENT LATERAL FORCE.
C. ANALYSIS SOFTWARE: RISA FLOOR/3D

18. LATERAL LOAD ON FOUNDATIONS

- A. A GEOTECHNICAL REPORT "GEOTECHNICAL AND GEOLOGIC HAZARD INVESTIGATION: LOT 71R OF SUMMIT EDEN PHASE 1C 8488 E. SPRING PARK ROAD SUMMIT POWDER MOUNTAIN RESORT WEBER COUNTY, UTAH" PROJECT NUMBER 02565-001, DATED AUGUST 30TH, 2017 HAS BEEN PREPARED BY IGES INC. THE CONTRACTOR IS TO READ THE REPORT AND BE FAMILIAR WITH ITS CONTENTS.
B. BASEMENT WALLS ARE DESIGNED TO RETAIN AN EQUIVALENT FLUID DENSITY OF 55pcf AS PER THE REPORT.
C. FOUNDATION WALLS ARE DESIGNING ASSUMING THERE IS FREE-DRAINING BACKFILL OR THAT OTHER PROVISIONS HAVE BEEN MADE, SUCH THAT THE WALLS ARE NOT SUBJECT TO HYDROSTATIC PRESSURE.

030000 CONCRETE

- 1. NOMINAL MAXIMUM SIZE OF AGGREGATE SHALL BE 3/4". USE SMALLER AGGREGATES AS APPROPRIATE IN AREAS OF CONGESTED REINFORCING STEEL OR TO IMPROVE WORKABILITY. MODIFY MIX DESIGNS TO SUIT.

Table with 7 columns: CATEGORY, DESCRIPTION, EXPOSURE PER A23.1, CONCRETE STRENGTH (c (psi)), MAX W/C RATIO, AIR CONTENT 1, SCOPE. Rows include CM1 FOUNDATION MIX, CM2 SLAB ON GRADE MIX, CM3 SLAB AND BEAM MIX, CM4 COLUMN AND WALL MIX, CM5 TOPPING MIX, CM6 COMPOSITE DECK MIX, CM7 PARKING SLAB AND BEAM MIX, CM8 PAVING MIX, CM9 PARKING MIX, CM10 INTENTIONALLY LEFT BLANK, CM11 EXTERIOR WALL MIX.

- 1. WHERE AGGREGATES SMALLER THAN 14 mm ARE USED, INCREASE AIR CONTENT BY 1%.
2. REINFORCED CONCRETE EXPOSED TO DE-ICING CHEMICALS TO HAVE DCI CORROSION INHIBITOR @ 11L/cu.m. DOSAGE OR APPROVED EQUIVALENT

- 2. REINFORCEMENT: CONFORM TO THE REQUIREMENTS OF ASTM A615 AND ASTM A706 IF WELDABLE REINFORCEMENT IS USED.
A. REINFORCING BARS SHALL BE MINIMUM ASTM A615 GRADE 60 AND WELDED WIRE FABRIC SHALL BE MINIMUM ASTM A185, SUPPLY IN FLAT SHEETS.

- 3. SLAB ON GRADE:
A. PLACE SLABS ON GRADE ON MATERIAL CAPABLE OF OS SUSTAINING 500psf WITHOUT SETTLEMENT RELATIVE TO BUILDING FOOTING.
BEFORE PLACING SLAB, PLACE MINIMUM 6" OF 3/4" MAXIMUM SIZE CLEAR CRUSHED STONE OVER THE SUB GRADE, THOROUGHLY ROLL AND CONSOLIDATE TO THE LINES AND LEVELS REQUIRED.

- 4. CONCRETE AND REINFORCEMENT:
A. PROVIDE DOWELS TO WALLS AND COLUMNS SIMILAR IN NUMBER, SIZE, AND SPACING TO VERTICAL STEEL IN THE WALL OR COLUMN EXCEPT WHEN NOTED OTHERWISE.
B. PROVIDE 1.5"x2.5" KEYS AT ALL CONSTRUCTION JOINTS UNLESS NOTED OTHERWISE.
C. CONCRETE COVER TO REINFORCEMENT TO CONFORM TO THE REQUIREMENTS OF THE INTERNATIONAL BUILDING CODE AND ACI 318 AND THE FOLLOWING COVER REQUIREMENTS:

Table with 2 columns: REINFORCING TYPE, COVER. Rows include SLABS NOT EXPOSED TO WEATHER AND INTERIOR WALL SURFACES (34in), EXTERIOR WALL SURFACES, SLABS EXPOSED TO WEATHER #5 AND SMALLER (1 1/2in), EXTERIOR WALL SURFACES, SLABS EXPOSED TO WEATHER LARGER THAN #5 (2in), COLUMN AND BEAM TIES (1 1/2in), CLEAR DISTANCE BETWEEN BARS (2in), FORMED DIRECTLY AGAINST EARTH (3in).

- D. SECURELY TIE IN PLACE AND ADEQUATELY SUPPORT ALL REINFORCEMENT. LAP ALL BARS MARKED "CONTINUOUS JOINTS" (CONT.) MINIMUM 40db.
E. WHERE CHEMICAL ANCHORS ARE REQUIRED, USE HILTI HIT HY 200 EPOXY OR APPROVED EQUAL.

310000 FOUNDATIONS

- 1. A GEOTECHNICAL REPORT "GEOTECHNICAL AND GEOLOGIC HAZARD INVESTIGATION: LOT 71R OF SUMMIT EDEN PHASE 1C 8488 E. SPRING PARK ROAD SUMMIT POWDER MOUNTAIN RESORT WEBER COUNTY, UTAH" PROJECT NUMBER 02565-001, DATED AUGUST 30TH, 2017 HAS BEEN PREPARED BY IGES INC. READ THIS REPORT, AND BE THOROUGHLY FAMILIARIZED WITH THEIR FINDINGS.
2. FOUND ALL FOOTINGS ON NATURALLY CONSOLIDATED UNDISTURBED SOIL, CAPABLE OF SAFELY SUSTAINING AN ALLOWABLE BEARING VALUE OF 2900 PSF.
3. FOUND FOOTINGS EXPOSED TO FREEZING BELOW THE LEVEL AT WHICH POTENTIAL DAMAGE RESULTING FROM FROST ACTION CAN OCCUR, BUT A MINIMUM OF 40in BELOW FINISHED GRADE IF NOT NOTED TO BE FOUNDED LOWER.
4. THE LINE OF SLOPE BETWEEN ADJACENT FOOTINGS OR EXCAVATIONS OR ALONG STEPPED FOOTINGS SHALL NOT EXCEED A RISE OF 7 IN A RUN OF 10.
5. DO NOT PLACE BACKFILL AGAINST WALLS RETAINING EARTH (OTHER THAN CANTILEVER WALLS) UNTIL THE FLOOR CONSTRUCTION AT TOP AND BOTTOM OF THE WALLS IS POURED AND HAS ATTAINED 70% OF ITS SPECIFIED STRENGTH.
6. CARRY OUT BACKFILLING AGAINST FOUNDATION WALLS WHERE THERE IS GRADE ON BOTH SIDES IN SUCH A MANNER THAT THE LEVEL OF BACKFILLING ON ONE SIDE OF THE WALL IS NEVER MORE THAN 1'-8" DIFFERENT FROM THE LEVEL ON THE OTHER SIDE OF THE WALL.

050000 STRUCTURAL STEEL

- 1. ALL STRUCTURAL STEEL AND MISCELLANEOUS METAL SHALL BE DETAILED, FABRICATED AND ERECTED IN CONFORMANCE WITH AISC 325.
2. MATERIALS: ALL STRUCTURAL STEEL SHALL CONFORM TO THE NOTED ASTM STANDARDS UNO.

- A. W-SHAPES A992
B. HSS (RECTANGULAR AND SQUARE) A500 (Fy = 45ksi)
C. HSS (CIRCULAR) A500 (Fy = 42ksi)
D. ANGLES/C CHANNELS/SMC CHANNELS A36
E. ALL OTHER STEEL PLATES A36

- 3. WHERE SPECIFIED, GALVANIZED STEEL IS TO BE COMPLETED IN ACCORDANCE WITH ASTM A123 HOT DIP PROCESS.

- 4. ALL TEMPORARY BRACING, SHORING, AND ERECTION CLIPS REQUIRED BY THE CONTRACTOR ARE NOT SHOWN. WORK IS TO CONFORM TO OSHA REQUIREMENTS.
5. SHOP DRAWINGS ARE TO BE SUBMITTED TO CONSULTANTS FOR REVIEW PRIOR TO FABRICATION.
6. TESTING AND INSPECTION AGENCIES SHALL SEND STRUCTURAL TESTING AND INSPECTION REPORTS DIRECTLY TO THE CONSULTANT.

- 7. CONNECTIONS
A. ALL STEEL-TO-STEEL BOLTED CONNECTIONS TO BE MADE WITH HIGH STRENGTH BOLTS AS PER SPECIFICATION FOR STRUCTURAL JOINTS USING ASTM A325 OR A490 BOLTS
B. UNLESS NOTED BOLTS IN CONNECTIONS SHALL BE BEARING TYPE WITH THREADS EXCLUDED FROM THE SHEAR PLANE. USE ASTM A325 BOLTS UNLESS NOTED.
C. STEEL WASHERS CONFORM TO A436. NUTS TO CONFORM TO A563.
D. ANCHOR BOLTS AND ANCHOR RODS TO CONFORM TO ASTM F1554 GRADE 36.
E. ALL WELDED CONNECTIONS TO BE COMPLETED IN ACCORDANCE WITH THE STRUCTURAL WELDING CODE - STEEL (AWS-D1.1) AND HAVE A MINIMUM TENSILE STRENGTH OF 70ksi FOR ALL ELECTRODES.
F. ALL WELDERS ARE TO BE QUALIFIED IN ACCORDANCE WITH AWS D1.1 FOR ALL WELDS THEY WILL BE COMPLETING.
G. WELD LENGTHS CALLED FOR ON STRUCTURAL DRAWINGS ARE NET EFFECTIVE LENGTH. IF NO LENGTH IS SPECIFIED USE THE MINIMUM SIZE AS SPECIFIED IN AISC 360, SECTION J2.2B.
H. ALL WELDING TO BE PERFORMED IN ACCORDANCE WITH A WRITTEN WELDING PROCEDURE SPECIFICATION (WPS). SUBMIT ALL WPS TO CONSULTANT WHICH OUTLINES ALL PROCEDURES, ELECTRODE SPECIFICATIONS, DATA SHEETS AND LIMITATIONS.

- I. RUN-OFF TABS PER AWS D1.1 ARE REQUIRED FOR ALL COMPLETE JOINT PENETRATION WELDS. START AND COMPLETE ALL WELDS ON RUN-OFF TABS. WELDS ARE NOT TO BE COMPLETED AT COPE HOLE LOCATIONS.
J. COMPLETE PENETRATION AND PARTIAL PENETRATION WELDS SHALL BE INSPECTED AND EXAMINED BY ULTRASONIC TESTING. ALL TESTING AND INSPECTION SHALL CONFORM TO IBC REQUIREMENTS.

- 8. ALL HEADED STUDS WELDED TO BEAMS OR CONCRETE CONNECTIONS SHALL BE NELSON STUDS OR APPROVED EQUAL.
9. HEADED STUDS SHALL BE AUTOMATICALLY WELDED IN SHOP OR FIELD WELDED WITH EQUIPMENT APPROVED BY THE MANUFACTURER OF THE STUDS.

060000 WOOD:

- 1. FRAMING LUMBER SHALL BE DOUGLAS FIR-LARCH AND MEET THE FOLLOWING MINIMUM REQUIREMENTS UNLESS NOTED OTHERWISE.
2. ENGINEERED FRAMING BEAMS AND MATERIAL SHALL MEET THE FOLLOWING MINIMUM REQUIREMENTS UNLESS NOTED OTHERWISE.

Table with 2 columns: STUDS, SILLS AND PLATES; JOISTS & BLOCKING; 6x6 AND LARGER. Values: No2, No2, No1.

PARALLEL STRAND LUMBER

- *PSL* PARALLEL STRAND LUMBER BENDING STRESS (EDGE LOADED) Fb = 2,900psi
SHEAR STRESS (EDGE LOADED) Fv = 290psi
COMPRESSIVE STRESS (PERP TO GRAIN) Fc = 750psi
COMPRESSIVE STRESS (PARA TO GRAIN) Fc = 2,900psi
MODULUS OF ELASTICITY E = 2,000ksi

- *LVL* LAMINATED VENEER LUMBER BENDING STRESS (EDGE LOADED) Fb = 2,600psi
SHEAR STRESS (EDGE LOADED) Fv = 285psi
COMPRESSIVE STRESS (PERP TO GRAIN) Fc = 750psi
COMPRESSIVE STRESS (PARA TO GRAIN) Fc = 2,510psi
MODULUS OF ELASTICITY E = 1,800ksi

- *LSL* LAMINATED STRAND LUMBER BENDING STRESS (EDGE LOADED) Fb = 2,325psi
SHEAR STRESS (EDGE LOADED) Fv = 310psi
COMPRESSIVE STRESS (PERP TO GRAIN) Fc = 900psi
COMPRESSIVE STRESS (PARA TO GRAIN) Fc = 2,170psi
MODULUS OF ELASTICITY E = 1,550ksi

- 3. ALL ROOF SHEATHING TO BE 3/4" C-D GRADE PLYWOOD WITH EXTERIOR GRADE GLUE OR OSB PANELS. TYPICAL NAILING TO BE 10d @ 6" c/c AT ALL SUPPORTED EDGES AND 10d @ 12" c/c AT INTERMEDIATE SUPPORTS, UNLESS NOTED OTHERWISE.
4. ALL FLOOR SHEATHING TO BE 3/4" C-D GRADE T&G SHEATHING WITH EXTERIOR GRADE GLUE OR OSB PANELS. BLOCK ALL PANEL EDGES. TYPICAL NAILING TO BE 10d @ 6" c/c AT ALL SUPPORTED EDGES AND 10d @ 12" c/c AT INTERMEDIATE SUPPORTS, UNLESS NOTED OTHERWISE.

- 5. ALL LOAD BEARING STUD WALLS NOT INDICATED AS SHEARWALLS ON PLANS TO BE SHEATHED WITH PLYWOOD OR OSB PANELS. BLOCK ALL PANEL EDGES. TYPICAL NAILING TO BE 10d @ 6" c/c AT ALL SUPPORTED EDGES AND 10d @ 12" c/c AT INTERMEDIATE SUPPORTS UNLESS NOTED OTHERWISE.
6. ENGINEERED FLOOR JOISTS TO BE MANUFACTURED FLOOR JOIST SYSTEM BY REDBUILT ENGINEERED WOOD PRODUCTS. PROVIDE SEALED ENGINEERED FLOOR LAYOUTS FROM MANUFACTURER PRIOR TO FABRICATION OF ELEMENTS.

- 7. ALL BLOCKING IN ENGINEERED FLOOR SYSTEM TO BE FULL DEPTH LVL MATERIAL.
8. SUBSTITUTION OF FLOOR SYSTEM CAN BE MADE WITH THE SUBMISSION OF EQUIVALENCY REPORT FROM ALTERNATE SUPPLIER.
9. ALL WOOD-TO-WOOD CONNECTIONS ARE TO BE BY SIMPSON STRONG TIE OR APPROVED EQUIVALENT. ALL HANGERS TO BE RATED FOR MINIMUM CONNECTION FORCES NOTED ON PLANS.

- 10. EXECUTION:
A. ALL SILL PLATES TO BE STAMPED "KD" WHICH INDICATES KILN DRIED WITH A MOISTURE CONTENT NOT EXCEEDING 13%.
B. ALL WOOD SILL PLATES UNDER BEARING, EXTERIOR WALLS OR SHEARWALLS IN CONTACT WITH CONCRETE OR MASONRY SHALL BE BOLTED TO THE CONCRETE OR MASONRY BELOW WITH 5/8" Ø ANCHORS @ 4'-0" c/c BEGINNING AT 9" MAXIMUM FROM EACH END OF THE PLATES, EXTENDING MINIMUM 6" INTO THE CONCRETE OR MASONRY BELOW.
C. PROVIDE SOLID BLOCKING, INCLUDING SQUASH BLOCKS, BELOW ALL POINT LOADS, EXTENDING DOWN TO THE TOP OF FOUNDATIONS.
D. PROVIDE BRIDGING IN FLOOR AND ROOF ASSEMBLIES AT 8'-0" c/c MAXIMUM UNLESS SPECIFICALLY DETAILED OTHERWISE BY THE ENGINEERED FLOOR SUPPLIER.
E. REFER TO TYPICAL DETAILS FOR STANDARD FRAMING REQUIREMENTS AT WOOD TO STEEL, WOOD TO FOUNDATION AND WOOD TO WOOD FLOOR ASSEMBLIES.
F. PROTECT ALL WOOD PRODUCTS FROM DAMAGE AND STAINING DUE TO WETTING AND MOISTURE.
G. RE-TIGHTEN ALL ANCHORS JUST PRIOR TO COVERING THE WALL FRAMING.

010003 NOTABLE SUBMITTALS

- 1. GENERAL REVIEW BY COMPONENT ENGINEERS
A. COMPONENT ENGINEERS ARE RESPONSIBLE FOR GENERAL REVIEW OF THE CONSTRUCTION FOR THE PORTION OF THE WORK PREPARED UNDER THEIR PROFESSIONAL SEALS. THEY SHALL PROVIDE:
I) REPORTS FOR EACH SITE VISIT
II) A PROJECT COMPLETION NOTICE
A. ENGINEERED COMPONENTS INCLUDE: PRECAST CONCRETE, OPEN WEB STEEL JOISTS, METAL DECK, PRE-ENGINEERED WOOD TRUSSES, DEEP FOUNDATIONS, MISCELLANEOUS METALS, STRUCTURAL GLASS, GLASS CONNECTIONS, CURTAINWALL, HELICAL PEIRS, GEOPIERS, MICROPILES.

010004 SUBMITTALS

- 1. GEOMETRY
2. SUBMIT SURVEY RECORDS CONFIRMING THAT THE BUILT GEOMETRY MATCHES THE DESIGN GEOMETRY.
3. CONCRETE REINFORCEMENT
4. SUBMIT REINFORCING PLACING DRAWINGS AND BAR LISTS FOR REVIEW BY THE CONSULTANT.
5. PROVIDE TEST CYLINDERS IN ACCORDANCE WITH ASTM STANDARDS.
6. STRUCTURAL STEEL
7. SUBMIT DETAILED SHOP DRAWINGS AND DETAILED CONNECTIONS FOR ALL STEEL COMPONENTS, BASED ON SECTION DETAILS AND CONNECTION DETAILS PROVIDED. FOR THE REVIEW OF THE CONSULTANT PRIOR TO ANY FABRICATION.
8. ERECTION AND SETTING DRAWINGS FOR THE REVIEW OF THE CONSULTANT.

010005 DEFERRED SUBMITTALS

- 1. ITEMS NOTED BELOW ARE INDICATED AS DEFERRED SUBMITTALS. THE ITEMS HAVE BEEN SHOWN OR INDICATED ON STRUCTURAL & ARCHITECTURAL DRAWINGS TO CONVEY DESIGN INTENT ONLY. FINAL SIZES, DETAILS, SHOP DRAWINGS AND CALCULATIONS SHALL BE SEALED BY A STRUCTURAL ENGINEER LICENSED IN THE STATE OF UTAH. ALL SUBMITTALS SHALL BE SUPPLIED TO THE BUILDING DEPARTMENT FOR REVIEW AND APPROVAL.
A. CUSTOM STEEL GUARD AT WALKOUT TERRACE
B. HELICAL PIER DESIGN

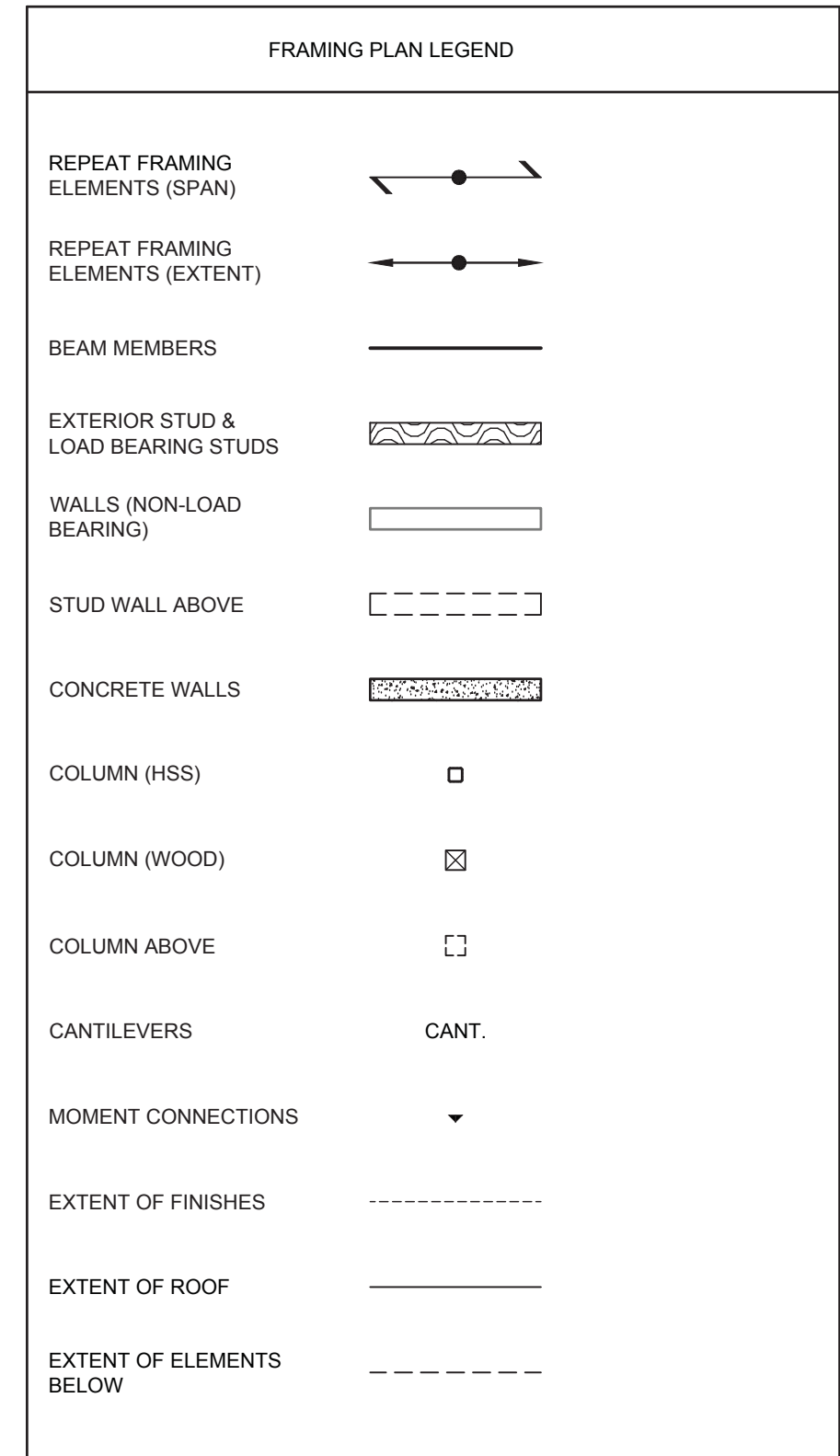


Table with 2 columns: DATE, DESCRIPTION. Rows include 2018.02.01 ISSUED FOR PERMIT, 2017.12.13 ISSUED FOR INTERNAL COORD, 2017.12.02 ISSUED FOR COORDINATION, 2017.11.22 ISSUED C GRADE COSTING, 2017.11.07 INTERNAL COORDINATION.

PROJECT NAME: VILLAGE HOUSE AT LOT 71

PROJECT ADDRESS: VILLAGE HOUSE LOT 71, SUMMIT POWDER MOUNTAIN

Table with 2 columns: DRAWN: AVB, CHECKED: --, SCALE: AS NOTED, PROJECT NUMBER: 170450.

SHEET TITLE: GENERAL NOTES

SEAL:



SCHEDULE OF SPECIAL INSPECTIONS

VERIFICATION AND INSPECTION	CONTINUOUS	PERIODIC	DETAILED INSTRUCTIONS AND FREQUENCIES
REINFORCED CONCRETE (IBC 1705.3 & 1705.12.1)			
REINFORCING STEEL		X	VERIFY PRIOR TO PLACING CONCRETE THAT REINFORCING IS OF SPECIFIED TYPE, GRADE AND SIZE, THAT IT IS FREE OF OIL, DIRT AND RUST, THAT IT IS LOCATED AND SPACED PROPERLY, THAT HOOKS, BENDS, TIES, STIRRUPS, AND SUPPLEMENTAL REINFORCEMENT ARE PLACED CORRECTLY; THAT TAP LENGTHS, STAGGER AND OFFSETS ARE PROVIDED; AND THAT ALL MECHANICAL CONNECTIONS ARE INSTALLED PER THE MANUFACTURER'S INSTRUCTIONS AND/OR EVALUATION REPORT.
ANCHORAGE		X	INSPECTION OF ANCHORS CAST IN CONCRETE.
USE OF REQUIRED MIX DESIGN		X	VERIFY THAT ALL MIXTURES USED COMPLY WITH THE APPROVED CONSTRUCTION DOCUMENTS; ACI 318: Ch. 4, 5.2-5.4; AND IBC 1904.3, 1913.2, 1913.3.
CONCRETE SAMPLING FOR STRENGTH TESTS, SLUMP, AIR CONTENT, AND TEMPERATURE	X		
CONCRETE PLACEMENT	X		
CURING TEMPERATURE AND TECHNIQUES		X	VERIFY THAT AMBIENT TEMPERATURE FOR CONCRETE IS KEPT > 50°F FOR AT LEAST 7 DAYS AFTER PLACEMENT. HIGH EARLY-STRENGTH CONCRETE SHALL BE KEPT > 50°F FOR AT LEAST 3 DAYS. ACCELERATED CURING METHODS MAY BE USED (SEE ACI 318.5.11.3). ALL CONCRETE MATERIALS, REINFORCEMENT, FORMS, FILLERS, AND GROUND SHALL BE FREE FROM FROST. IN HOT WEATHER CONDITIONS ENSURE THAT APPROPRIATE MEASURES ARE TAKEN TO AVOID PLASTIC SHRINKAGE CRACKING AND THAT THE SPECIFIED WATER/CEMENT RATIO IS NOT EXCEEDED.
STRENGTH VERIFICATION		X	VERIFY THAT ADEQUATE STRENGTH HAS BEEN ACHIEVED PRIOR TO THE REMOVAL OF FORMS.
FORMWORK		X	VERIFY THAT FORMS ARE PLACED PLUMB AND CONFORM TO THE SHAPES, LINES, AND DIMENSIONS OF THE MEMBERS AS REQUIRED BY THE APPROVED CONSTRUCTION DOCUMENTS.
STRUCTURAL STEEL - PRIOR TO WELDING (TABLE N5.4-1, AISC 360-10)			
VERIFY WELDING PROCEDURES (WPS) AND CONSUMABLE CERTIFICATES	X		
MATERIAL IDENTIFICATION		X	VERIFY TYPE AND GRADE OF MATERIAL.
WELDER IDENTIFICATION		X	A SYSTEM SHALL BE MAINTAINED BY WHICH A WELDER WHO HAS WELDED A JOINT OR MEMBER CAN BE IDENTIFIED.
FIT-UP GROOVE WELDS		X	VERIFY JOINT PENETRATION, DIMENSIONS, CLEANLINESS, TACKING, AND BACKING.
ACCESS HOLES		X	VERIFY CONFIGURATION AND FINISH.
FIT-UP FILLET WELDS		X	VERIFY ALIGNMENT, GAPS AT ROOT, CLEANLINESS OF STEEL SURFACES, AND TACK WELD QUALITY AND LOCATION.
STRUCTURAL STEEL - DURING WELDING (TABLE N5.4-2, AISC 360-10)			
USE OF QUALIFIED WELDERS		X	VERIFY THAT WELDERS ARE APPROPRIATELY QUALIFIED.
CONTROL AND HANDLING OF WELDING CONSUMABLES		X	VERIFY PACKAGING AND EXPOSURE CONTROL.
CRACKED TACK WELDS		X	VERIFY THAT WELDING DOES NOT OCCUR OVER CRACKED TACK WELDING.
ENVIRONMENTAL CONDITIONS		X	VERIFY THAT WIND SPEED, PRECIPITATION, AND TEMPERATURE ARE WITHIN LIMITS.
WPS FOLLOWED		X	VERIFY ITEMS SUCH AS SETTINGS ON WELDING EQUIPMENT, TRAVEL SPEED, WELDING MATERIALS, SHIELDING GAS TYPE/FLOW RATE, PREHEAT APPLIED, INTERPASS TEMPERATURE MAINTAINED, AND PROPER POSITION.
WPS FOLLOWED		X	VERIFY ITEMS SUCH AS SETTINGS ON WELDING EQUIPMENT, TRAVEL SPEED, WELDING MATERIALS, SHIELDING GAS TYPE/FLOW RATE, PREHEAT APPLIED, INTERPASS TEMPERATURE MAINTAINED, AND PROPER POSITION.
WELDING TECHNIQUES		X	VERIFY INTERPASS AND FINAL CLEANING, EACH PASS IS WITHIN PROFILE LIMITATIONS, AND QUALITY OF EACH PASS.
STRUCTURAL STEEL - AFTER WELDING (TABLE N5.4-3, AISC 360-10)			
WELDS CLEANED		X	VERIFY THAT WELDS HAVE BEEN PROPERLY CLEANED.
SIZE, LENGTH, AND LOCATION OF WELDS	X		
WELDS MEET VISUAL ACCEPTANCE CRITERIA	X		
ARC STRIKES	X		
K-AREA	X		
BACKING AND WELD TABS REMOVED	X		
REPAIR ACTIVITIES	X		
DOCUMENT ACCEPTANCE OR REJECTION OF WELDED JOINT/MEMBER	X		

VERIFICATION AND INSPECTION	CONTINUOUS	PERIODIC	DETAILED INSTRUCTIONS AND FREQUENCIES
NON-DISTRUCTIVE TESTING (SECTION N5.5, AISC 360-10)			
CJP WELDS		X	ULTRASONIC TESTING SHALL BE PERFORMED ON 10% OF CJP GROOVE WELDS IN BUTT, T- AND CORNER JOINTS SUBJECTED TO TRANSVERSELY APPLIED TENSION LOADING IN MATERIALS 5/16" THICK OR GREATER. TESTING RATE MUST BE INCREASED IF >5% OF WELDS TESTED HAVE UNACCEPTABLE DEFECTS.
ACCESS HOLES (FLANGE > 2")	X		
WELD JOINTS SUBJECT TO FATIGUE	X		
OTHER STEEL INSPECTIONS (SECTION N5.7, AISC 360-10; TABLES J8-1 & J10-1, AISC 341-10)			
STRUCTURAL STEEL DETAILS		X	ALL FABRICATED STEEL OR STEEL FRAMES SHALL BE INSPECTED TO VERIFY COMPLIANCE WITH THE DETAILS SHOWN IN THE CONSTRUCTION DOCUMENTS, SUCH AS BRACES, STIFFENERS, MEMBER LOCATIONS, AND PROPER APPLICATION OF JOINT DETAILS AT EACH CONNECTION.
ANCHOR RODS AND OTHER EMBEDMENTS SUPPORTING STRUCTURAL STEEL		X	SHALL BE ON THE PREMISES DURING THE PLACEMENT OF ANCHOR RODS AND OTHER EMBEDMENTS SUPPORTING STRUCTURAL STEEL FOR COMPLIANCE WITH CONSTRUCTION DOCUMENTS. VERIFY THE DIAMETER, GRADE, TYPE, AND LENGTH OF THE ANCHOR ROD OR EMBEDMENT ITEM, AND THE EXTENT OR DEPTH OF EMBEDMENT PRIOR TO PLACEMENT OF CONCRETE.
WOOD CONSTRUCTION (IBC 1705.10.1 & 1705.11.2)			
HIGH-LOAD DIAPHRAGMS		X	VERIFY THICKNESS AND GRADE OF SHEATHING, SIZE OF FRAMING MEMBERS AT PANEL EDGES, NAIL/STAPLE DIAMETERS AND LENGTH, AND THE NUMBER OF FASTENER LINES AND FASTENER SPACING PER APPROVED PLANS. PERFORMED BY CODE INSPECTION FIRM.
STRUCTURAL WOOD		X	WHERE FASTENER SPACING IS < 4" o.c.: VERIFY PROPER NAILING, BOLTING, ANCHORING, AND OTHER FASTENING OF SHEAR WALLS, DIAPHRAGMS, BRACES, AND HOLD-DOWNS. PERFORMED BY CODE INSPECTION FIRM.
SOILS (IBC 1705.6)			
VERIFY SUBGRADE IS ADEQUATE TO ACHIEVE DESIGN BEARING CAPACITY		X	PRIOR TO PLACEMENT OF CONCRETE.
VERIFY EXCAVATIONS EXTEND TO PROPER DEPTH AND MATERIAL		X	PRIOR TO PLACEMENT OF COMPACTED FILL OR CONCRETE.
VERIFY THAT SUBGRADE HAS BEEN APPROPRIATELY PREPARED PRIOR TO PLACING COMPACTED FILL		X	PRIOR TO PLACEMENT OF COMPACTED FILL.
PERFORM CLASSIFICATION AND TESTING OF COMPACTED FILL MATERIALS		X	ALL MATERIALS SHALL BE CHECKED AT EACH LIFT FOR PROPER CLASSIFICATIONS AND GRADATIONS NOT LESS THAN ONCE FOR EACH 10,000 SQ.FT. OF SURFACE AREA.
VERIFY PROPER MATERIALS, DENSITIES, AND LIFT THICKNESSES DURING PLACEMENT AND COMPACTION.	X		ALL MATERIALS SHALL BE CHECKED AT EACH LIFT FOR PROPER CLASSIFICATIONS AND GRADATIONS NOT LESS THAN ONCE FOR EACH 10,000 SQ.FT. OF SURFACE AREA.

- SPECIAL INSPECTORS SHALL BE APPROVED BY THE BUILDING OFFICIAL PRIOR TO PERFORMING ANY DUTIES.
- SPECIAL INSPECTORS SHALL PROVIDE PROOF OF LICENSURE BY THE STATE OF UTAH FOR EACH TYPE OF INSPECTION.
- SPECIAL INSPECTIONS AND TESTING SHALL BE PERFORMED IN ACCORDANCE WITH THE APPROVED PLANS AND SPECIFICATIONS, THIS STATEMENT, AND THE IBC SECTIONS 1704 AND 1705.
- INSPECTION REPORTS WILL BE SUBMITTED TO THE CODE CONSULTANT, THE ARCHITECT, AND THE STATE OF UTAH BUILDING OFFICIAL WITHIN 48 HOURS OF PERFORMING INSPECTIONS.
- A FINAL REPORT DOCUMENTING REQUIRED SPECIAL INSPECTIONS, TESTING AND CORRECTION OF ANY DISCREPANCIES NOTED IN THE INSPECTIONS AND A STATEMENT INDICATING THAT THE STRUCTURE IS IN COMPLIANCE WITH THE APPROVED CONSTRUCTION DOCUMENTS AND APPLICABLE CODES SHALL BE SUBMITTED.

MARK	DATE	DESCRIPTION
	2018.02.01	ISSUED FOR PERMIT
	2017.12.13	ISSUED FOR INTERNAL COORD.
	2017.12.02	ISSUED FOR COORDINATION
	2017.11.22	ISSUED C GRADE COSTING
	2017.11.07	INTERNAL COORDINATION

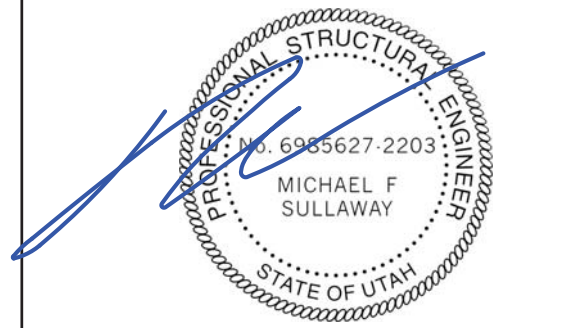
PROJECT NAME:
VILLAGE HOUSE AT LOT 71

PROJECT ADDRESS:
VILLAGE HOUSE LOT 71, SUMMIT POWDER MOUNTAIN

DRAWN: AVB	CHECKED: --
SCALE: AS NOTED	PROJECT NUMBER: 170450

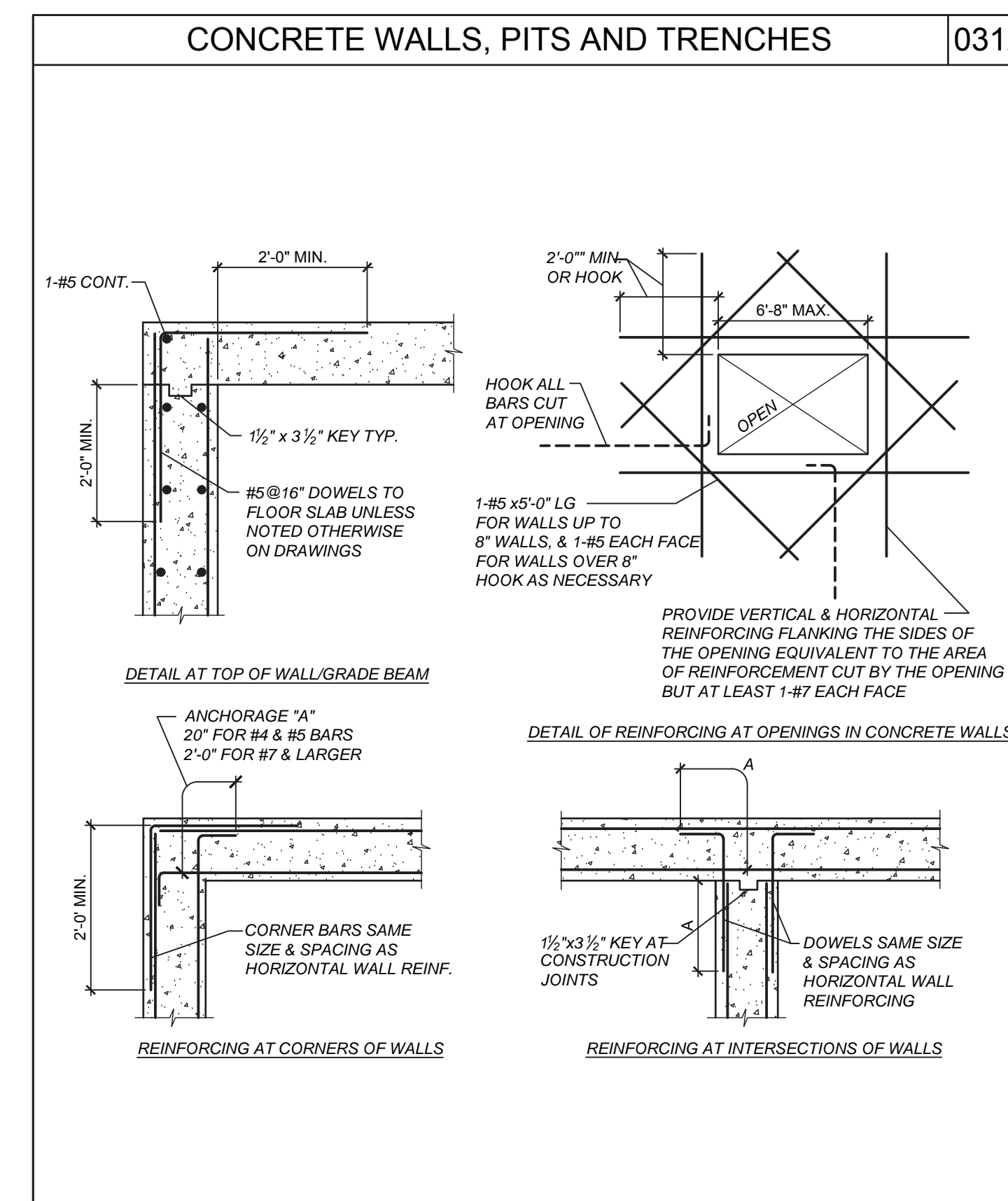
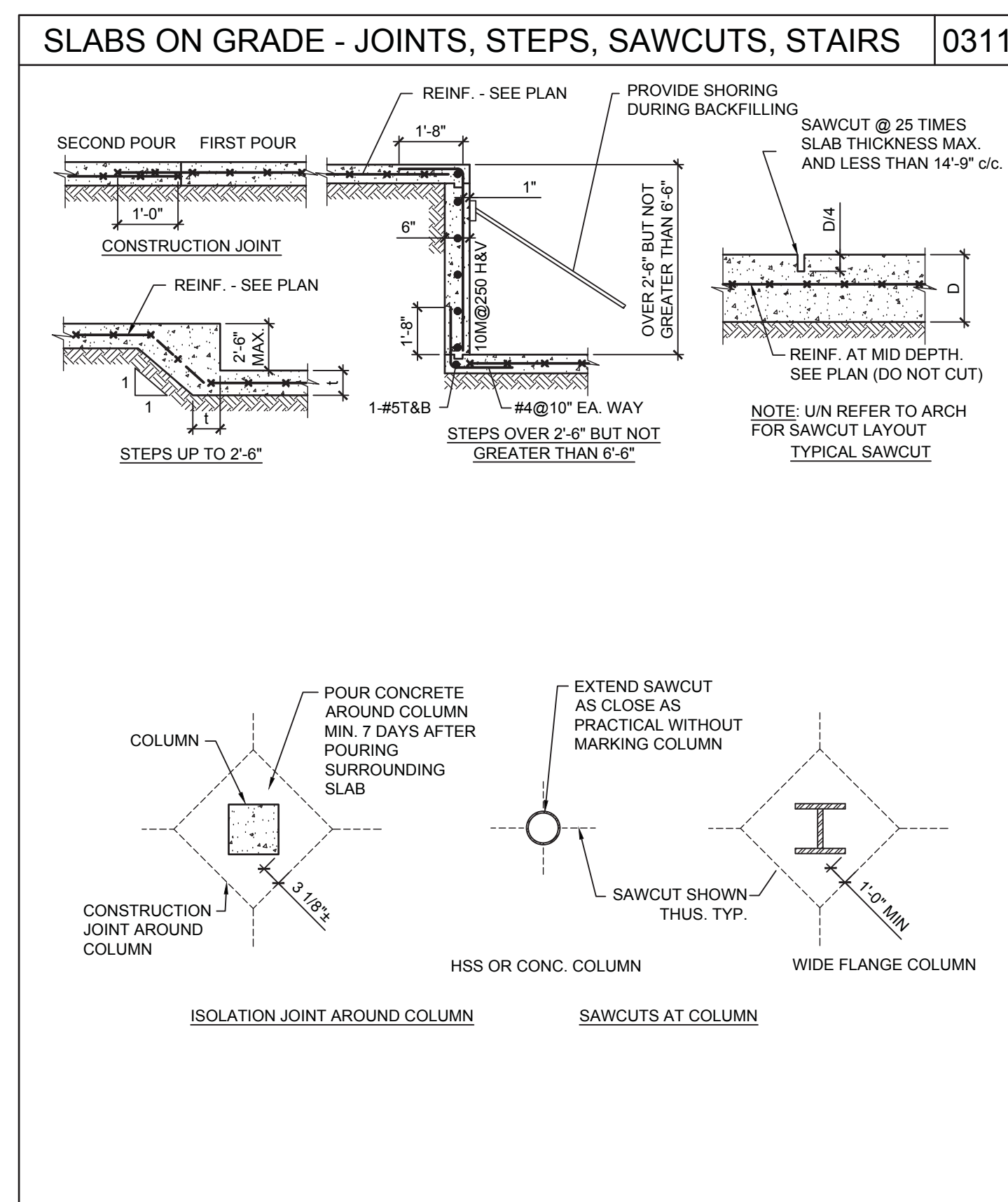
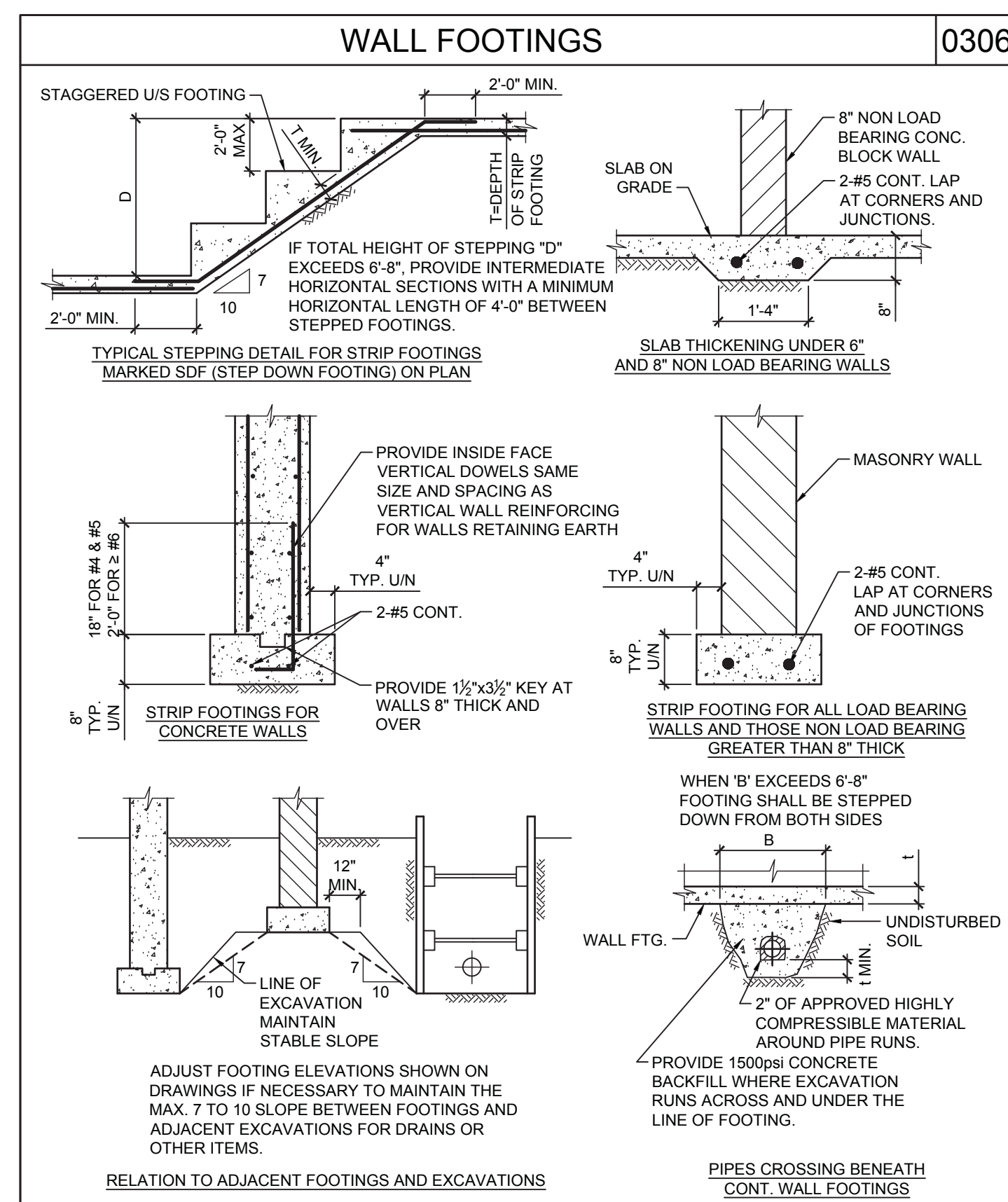
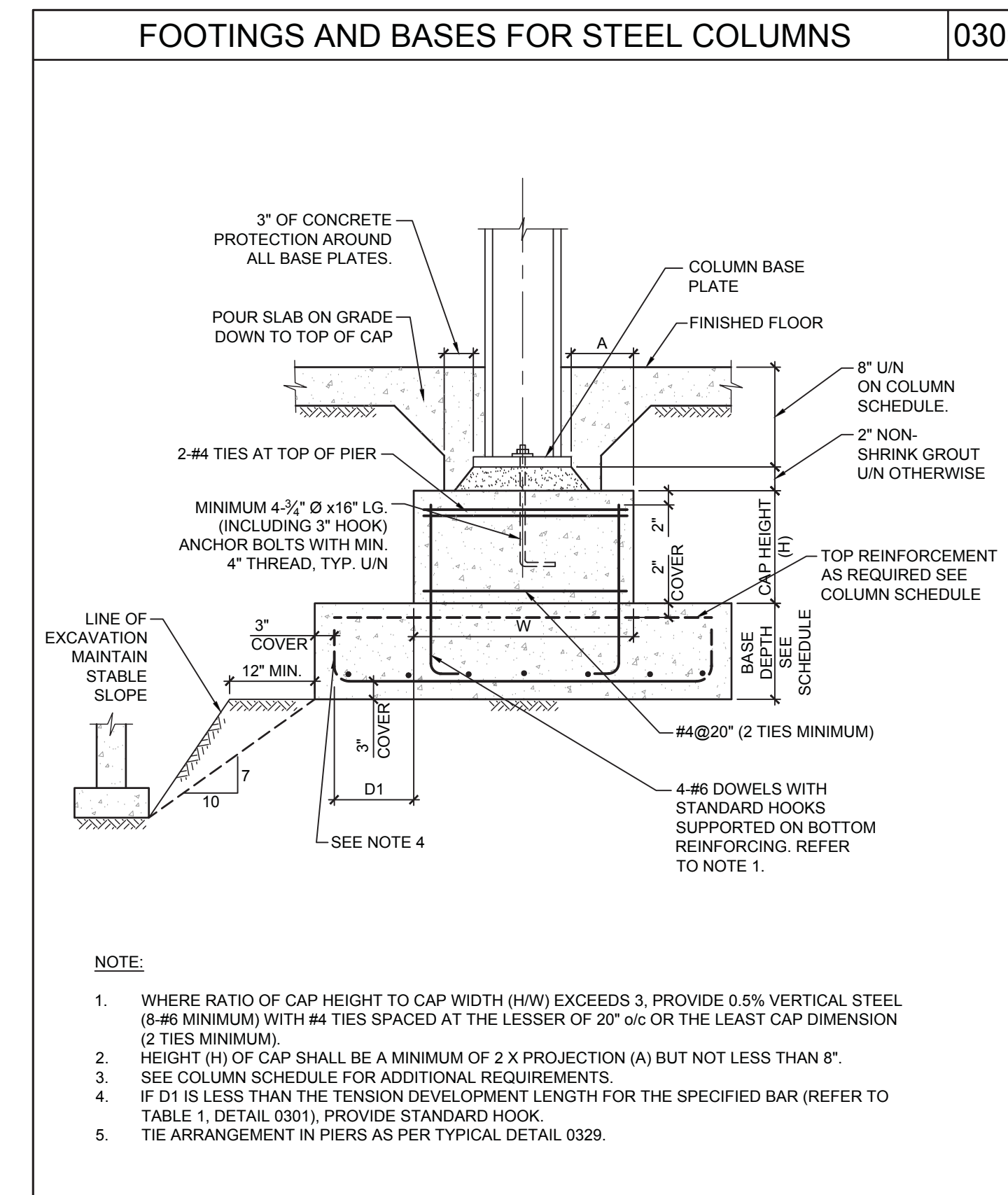
SHEET TITLE:
GENERAL NOTES CONT.'D

SEAL:



ABBREVIATIONS		0001	
A.BOLT	= ANCHOR BOLT	kN	= KILONEWTON
ADJ.	= ADJUSTABLE	kg	= KILOGRAM
ALT.	= ALTERNATE	kN.m	= KILONEWTON METRES
ARCH.	= ARCHITECTURAL	kN/m ²	= KILONEWTON PER SQUARE METRE
		kN/m	= KILONEWTON PER METRE
B	= BOTTOM	L.L.	= LIVE LOAD
BLL	= BOTTOM LOWER LAYER	LL.	= LONG LEG VERTICAL
BUL	= BOTTOM UPPER LAYER	LLH.	= LONG LEG HORIZONTAL
BLDG.	= BUILDING		
BM	= BEAM	MAX.	= MAXIMUM
BR	= BASE OR BEARING PLATE	MECH.	= MECHANICAL
BSMT.	= BASEMENT	MEZZ.	= MEZZANINE
CA	= COLUMN ABOVE	MIN.	= MINIMUM
C/C	= CENTRE TO CENTRE	MISC.	= MISCELLANEOUS
C	= CENTRE LINE	ML	= MIDDLE LAYER
CANT.	= CANTILEVER	mm	= MILLIMETRE
COL.	= COLUMN	MOM.	= MOMENT
CONC.	= CONCRETE	m	= METRIC METRE
CONSTR.	= CONSTRUCTION	MPa	= MEGAPASCAL
CONT.	= CONTINUOUS	MF	= FACTORED MOMENT
c/w	= COMPLETE WITH	N	= NEWTONS
		N.F.	= NEAR FACE
DET.	= DETAIL	N-S	= NORTH-SOUTH
DIAG.	= DIAGONAL	NTS.	= NOT TO SCALE
DIA.	= DIAMETER		
Ø	= DIAMETER, BAR DIAMETER	OWS	= OPEN WEB STEEL JOISTS
Ø	= DIMENSION	OPEN	= OPENING
D.J.	= DOUBLE JOIST	PL	= PLATE
DO.	= DITTO	P.C.	= PRECAST
D.L.	= DEAD LOAD	PROJ.	= PROJECTION
DWG.	= DRAWING	R	= REACTION
DWL	= DOWEL	RAD	= RADIUS
EA	= EACH	REF	= REFERENCE
E.A.F.	= EACH FACE	REIN.	= REINFORCING, REINFORCEMENT
E.A.W.	= EACH WAY	REVD	= REQUIRED
ELEV.	= ELEVATION	REV	= REVISION, REVISED
ELECT.	= ELECTRICAL	r/w	= REINFORCED WITH
ELEV.	= ELEVATOR	SECT.	= SECTION
E-W	= EAST-WEST	SDF	= STEP DOWN FOOTING
EQ	= EQUAL	SL	= SLAB
EXIST.	= EXISTING	SPTS.	= SPECIFICATIONS
EXP.	= EXPANSION JOINT	STD.	= STANDARD
EXT.	= EXTERIOR	SQ.	= SQUARE
		STRUCT.	= STRUCTURAL
F.F.	= FAR FACE	T	= TOP
FDN.	= FOUNDATION	T.J.	= TIE JOIST
FIN.	= FINISHED	TLL	= TOP LOWER LAYER
FL.	= FLOOR	TUL	= TOP UPPER LAYER
FTG.	= FOOTING	TEMP.	= TEMPERATURE
		TYP.	= TYPICAL
GA	= GAUGE	UN	= UNLESS OTHERWISE NOTED
GALV.	= GALVANIZED	US	= UNDERSIDE
GEN.	= GENERAL	VI	= VERTICAL
		V. VERT.	= VERTICAL
H. HOR.	= HORIZONTAL	WWF	= WELDED WIRE FABRIC
HH	= HOOKED EACH END	W	= WITH
INT.	= INTERIOR	WD.	= UNIFORMLY DISTRIBUTED LOADS
JT.	= JOINT	W.L.	= UNIFORMLY DISTRIBUTED LOADS

REINFORCEMENT DEVELOPMENT LENGTHS		0301			
TABLE 1 - TENSION DEVELOPMENT LENGTH (in)					
BAR SIZE	2900psi	3626psi	4352psi	5077psi	5802psi
4	12.6	11.8	11.8	11.8	11.8
5	18.9	16.9	15.4	14.6	13.4
6	25.2	22.8	20.9	19.3	18.1
8	39.8	35.4	32.3	29.9	28.0
9	47.6	42.5	39.0	35.8	33.5
11	55.5	49.6	45.3	41.7	39.4
14	71.7	63.8	58.3	53.9	50.8
18	87.4	78.0	71.3	66.1	61.8
TABLE 2 - TENSION LAP SPLICE (CLASS B) LENGTH (in)					
BAR SIZE	2900psi	3626psi	4352psi	5077psi	5802psi
4	16.5	15.0	13.4	12.4	11.8
5	24.8	22.0	20.1	19.1	17.5
6	33.1	29.7	27.2	25.2	23.6
8	51.8	46.1	42.1	39.0	36.4
9	54.1	55.3	50.8	46.5	43.5
11	72.4	68.6	63.9	59.3	51.2
14					
18	LAP SPLICES NOT PERMITTED				
TABLE 3 - DEVELOPMENT LENGTH (in) FOR STANDARD HOOKS.					
BAR SIZE	2900psi	3626psi	4352psi	5077psi	5802psi
4	6.1	5.9	5.9	5.9	5.9
5	9.4	8.3	7.5	6.9	6.7
6	12.4	11.0	10.2	9.4	8.9
8	15.4	13.8	12.6	11.6	11.0
9	18.5	16.5	15.2	14.2	13.0
11	21.7	19.9	17.7	16.3	15.2
14	38.5	34.4	31.4	29.1	27.2
18	49.6	44.4	40.6	37.5	35.1
TABLE 4 - COMPRESSION DEVELOPMENT LENGTH (in)					
BAR SIZE	f _c =2900psi	f _c =3626psi	f _c =4352psi		
4	8.3	7.9	7.9		
5	12.8	11.4	10.2		
6	16.9	15.0	13.8		
8	21.3	18.9	17.3		
9	25.2	22.8	20.9		
11	29.5	26.4	24.4		
14	38.2	33.9	31.1		
18	46.5	41.7	38.2		
TABLE 5 - COMPRESSION LAP SPLICE LENGTH (in)					
BAR SIZE	400R OR 500R	400W OR 500W			
4	7.1	5.5			
5	10.2	7.1			
6	12.2	8.7			
8	15.7	11.0			
9	20.1	15.7			
11	24.0	18.9			
14	31.1	26.8			
18	40.6	35.4			
NOTE: #14 AND #18 BARS SHALL BE SPLICED WITH MECHANICAL CONNECTORS					
TABLE 6 - STANDARD HOOK DIMENSION FOR BLACK REINFORCING.					
BAR SIZE	90° HOOK (in)	180° HOOK (in)	90° HOOK (in)	180° HOOK (in)	
4	7.1	5.5	7.1	5.1	
5	10.2	7.1	9.8	6.7	
6	12.2	8.7	11.8	7.9	
8	15.7	11.0	15.7	11.0	
9	20.1	15.7	19.3	13.8	
11	24.0	18.9	23.2	16.9	
14	31.1	26.8	30.3	24.4	
18	40.6	35.4	39.8	32.7	
REFER TO REINFORCING STEEL MANUAL OF STANDARD PRACTICE FOR MORE INFORMATION.					



DATE	DESCRIPTION
2018.02.01	ISSUED FOR PERMIT
2017.12.13	ISSUED FOR INTERNAL COORD.
2017.12.02	ISSUED FOR COORDINATION
2017.11.22	ISSUED C GRADE COSTING
2017.11.07	INTERNAL COORDINATION

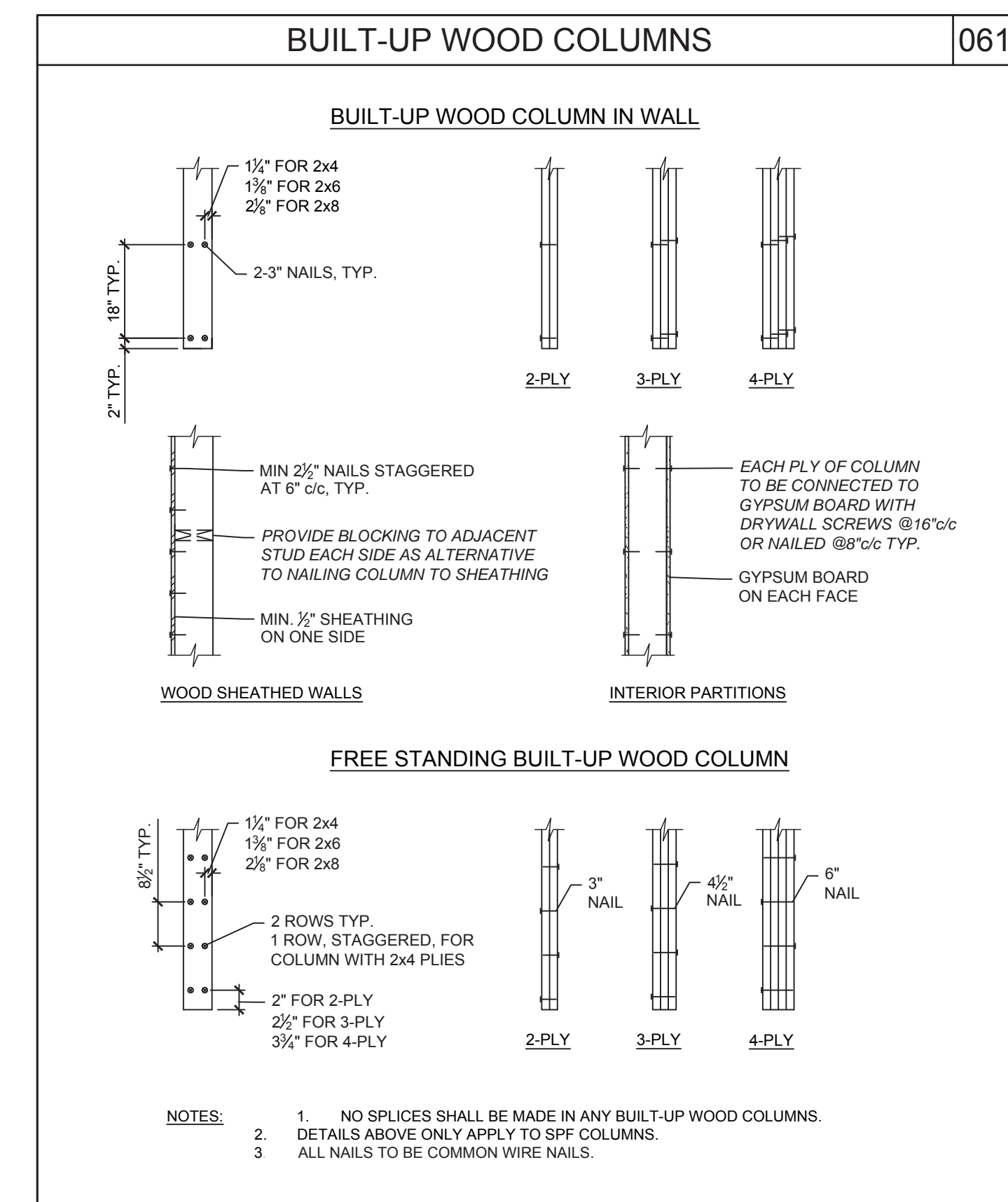
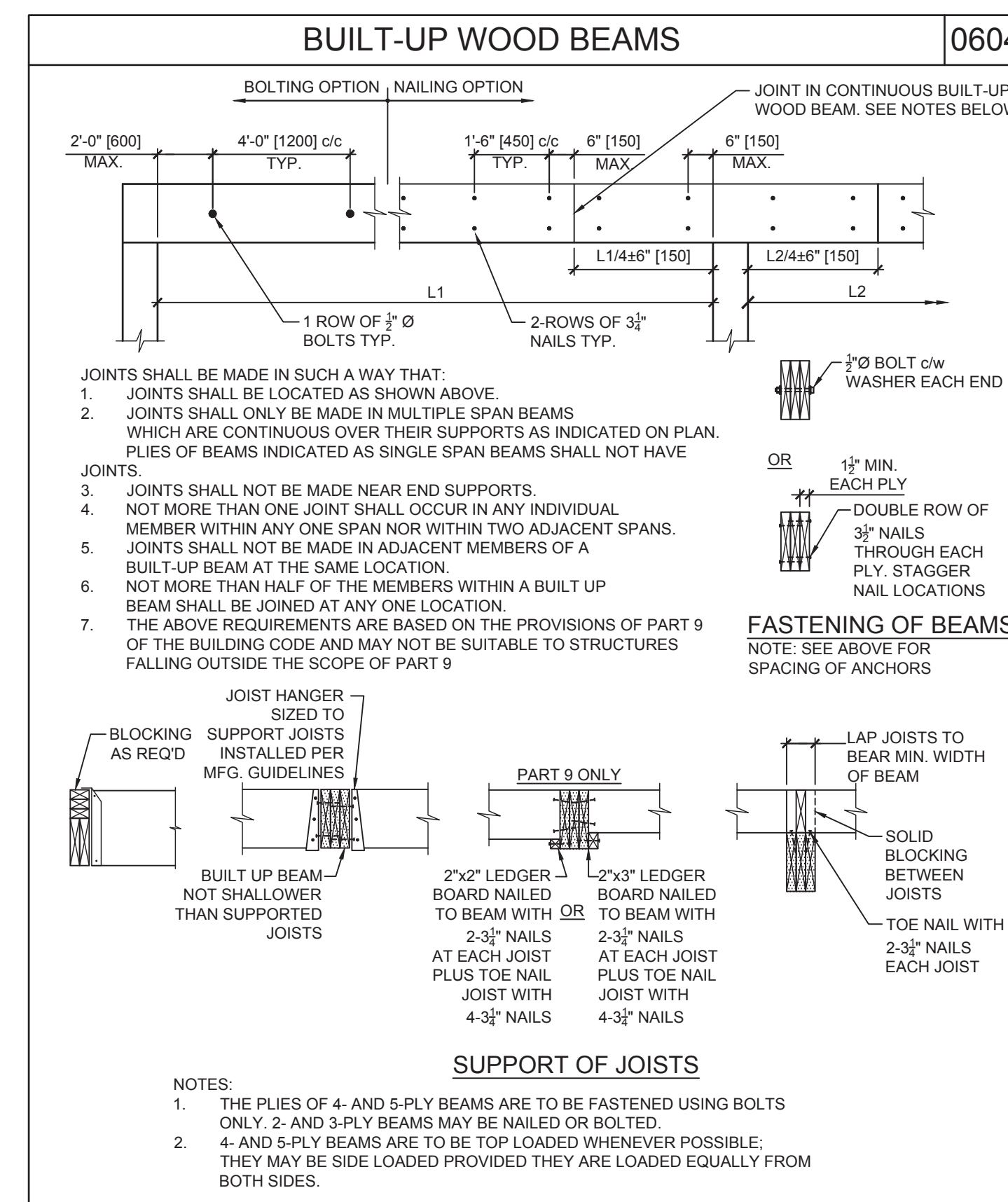
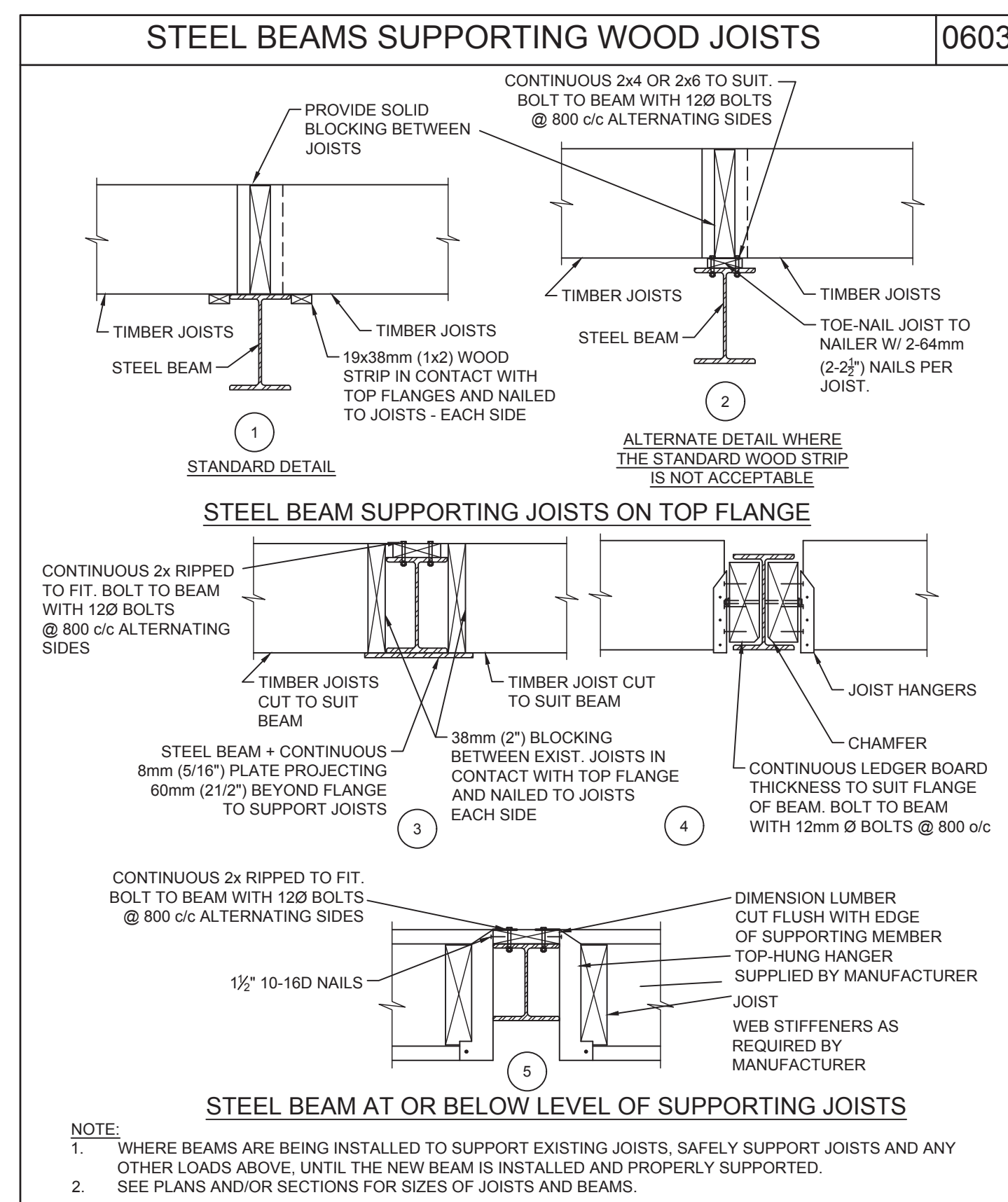
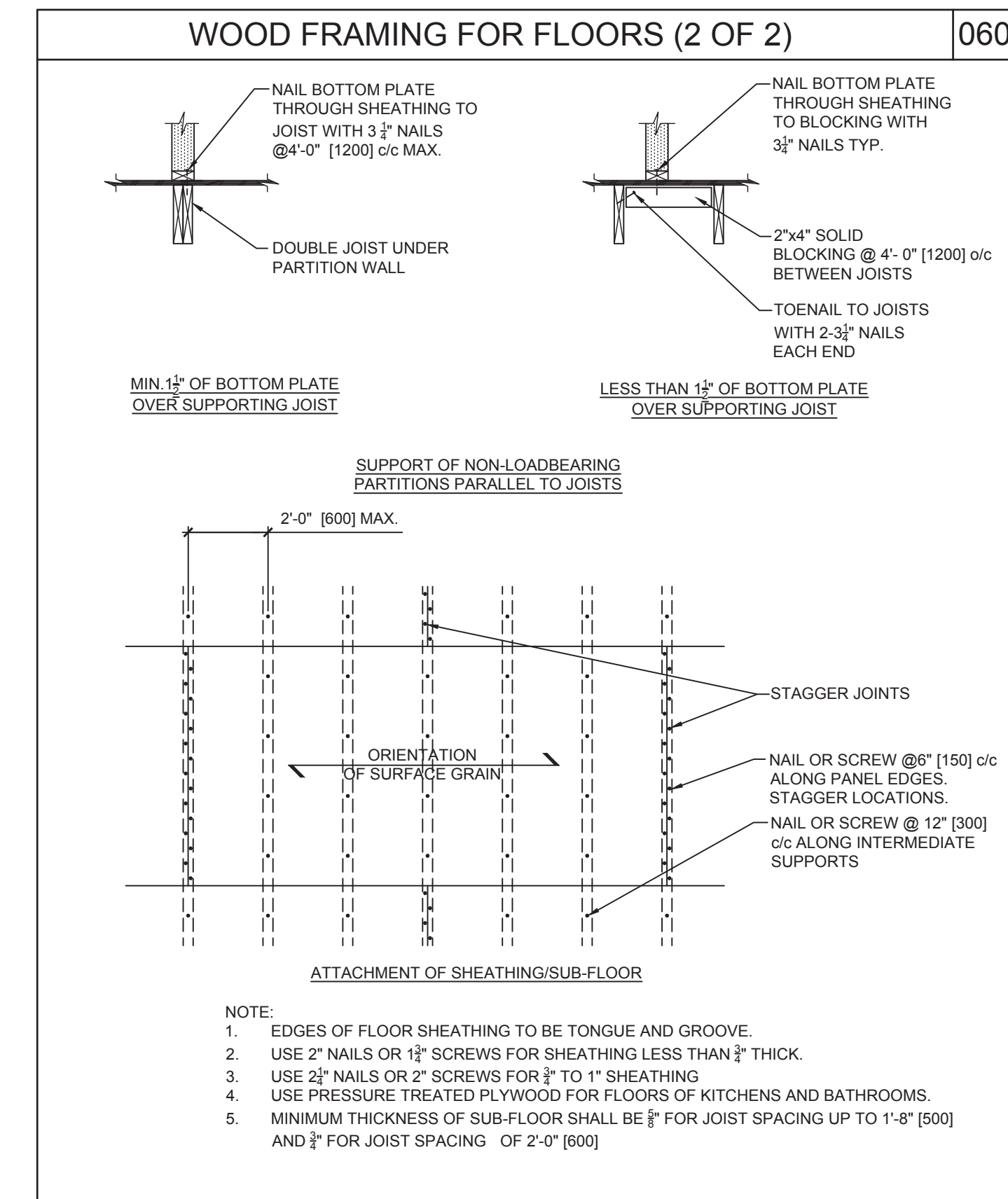
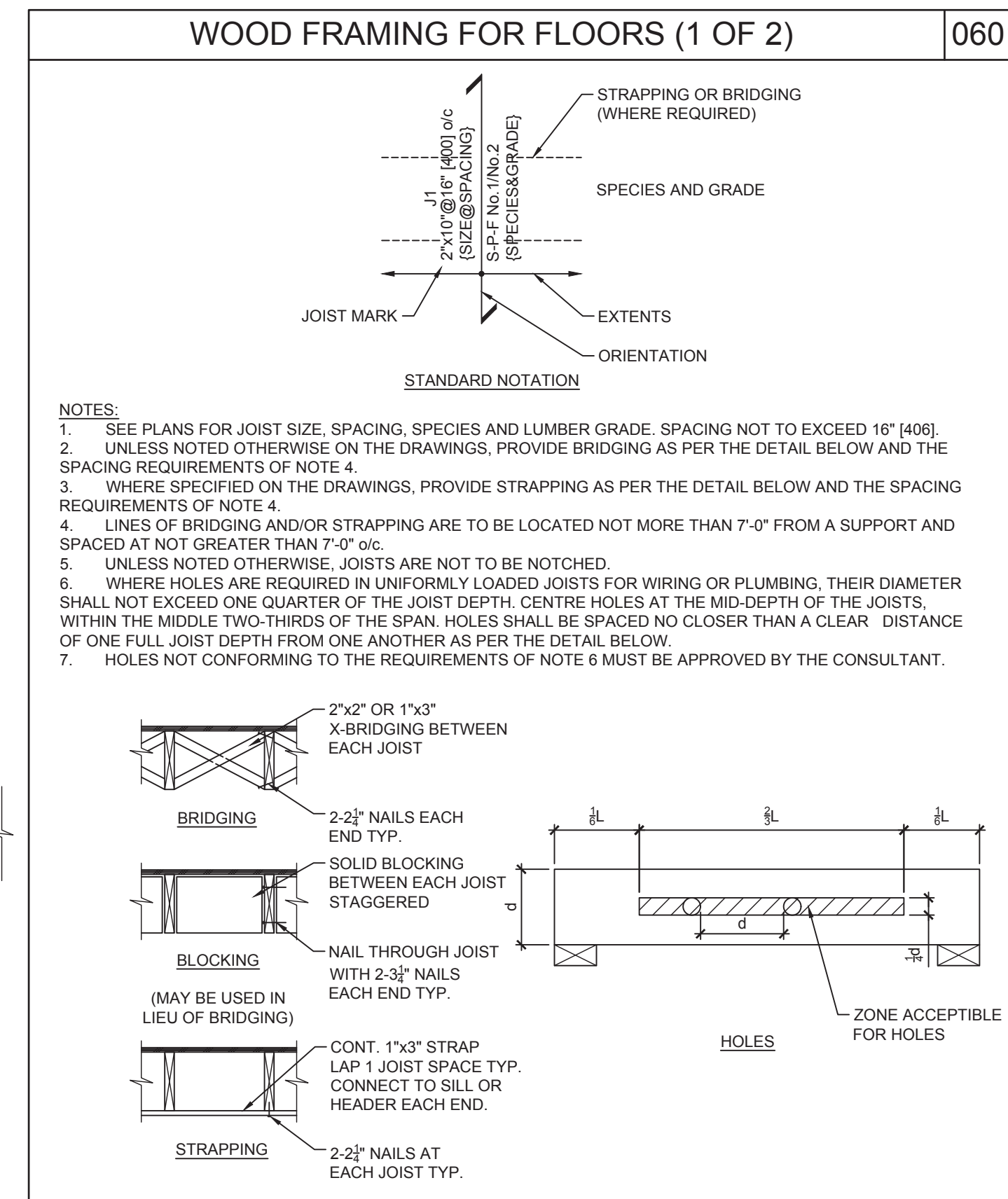
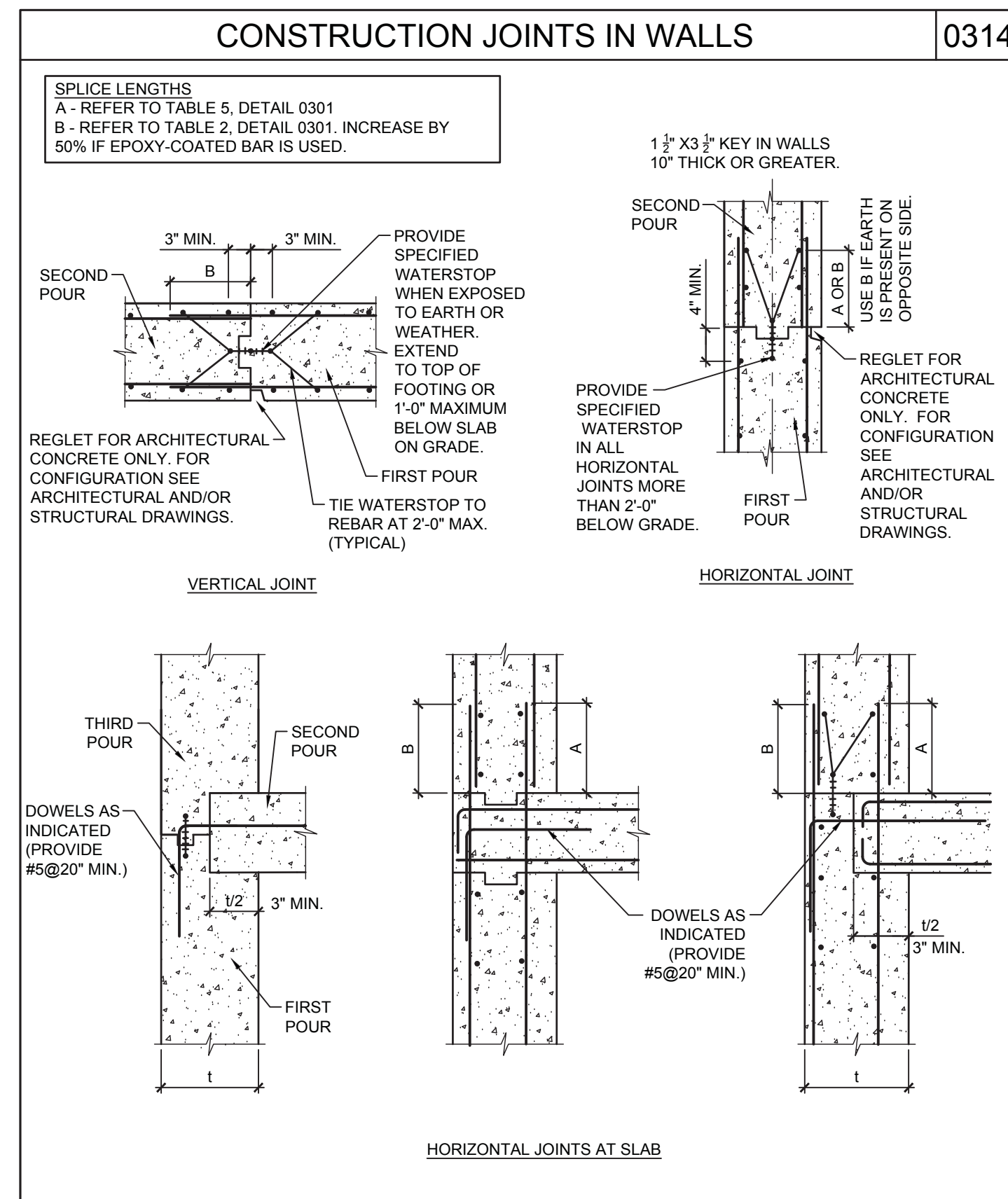
PROJECT NAME:
VILLAGE HOUSE AT LOT 71

PROJECT ADDRESS:
VILLAGE HOUSE LOT 71, SUMMIT POWDER MOUNTAIN

DRAWN: AVB	CHECKED: --
SCALE: AS NOTED	PROJECT NUMBER: 170450

SHEET TITLE:
TYPICAL DETAILS

SEAL:



2018.02.01	ISSUED FOR PERMIT
2017.12.13	ISSUED FOR INTERNAL COORD.
2017.12.02	ISSUED FOR COORDINATION
2017.11.22	ISSUED C GRADE COSTING
2017.11.07	INTERNAL COORDINATION
MARK	DATE DESCRIPTION

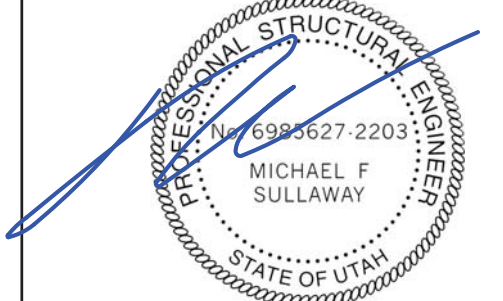
PROJECT NAME:
VILLAGE HOUSE AT LOT 71

PROJECT ADDRESS:
VILLAGE HOUSE LOT 71, SUMMIT POWDER MOUNTAIN

DRAWN: AVB	CHECKED: --
SCALE: AS NOTED	PROJECT NUMBER: 170450

SHEET TITLE:
TYPICAL DETAILS CONT.'D

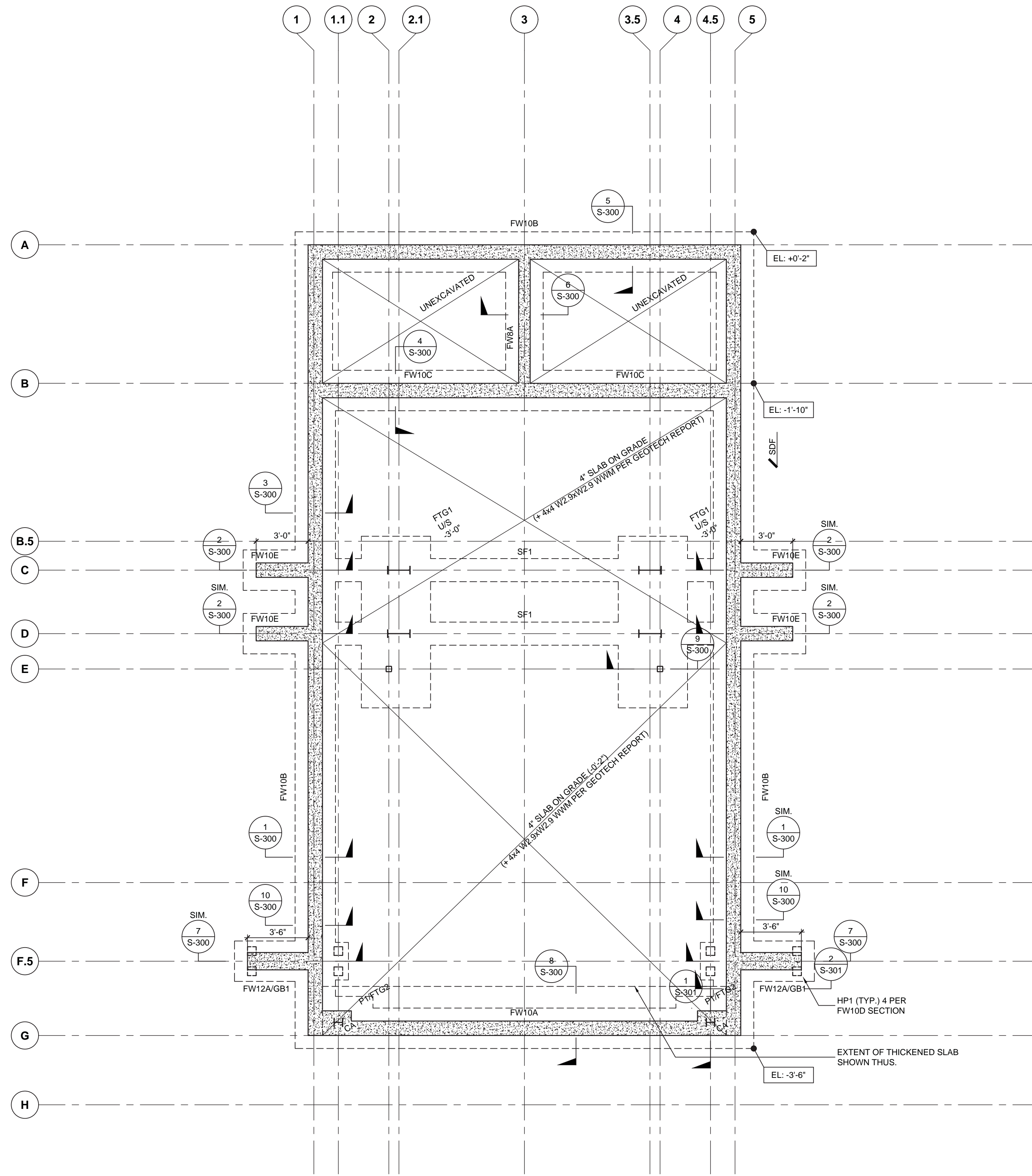
SEAL:



FOUNDATION MEMBER SCHEDULE		
MEMBER MARK	MEMBER DESCRIPTION	REMARKS
FW10A	10" CONCRETE FOUNDATION WALL	V.I.F #5 @ 18" c/c V.O.F #5 @ 18" c/c H.I.F #5 @ 18" c/c H.O.F #5 @ 18" c/c ON 10"x28" CONTINUOUS STRIP FOOTING r/w 2 #5 CONTINUOUS BARS. WALL TO BE COMPLETELY BACKFILLED EACH SIDE.
FW10B	10" CONCRETE FOUNDATION WALL	V.I.F #5 @ 18" c/c V.O.F #5 @ 18" c/c H.I.F #5 @ 18" c/c H.O.F #5 @ 18" c/c ON 10"x28" CONTINUOUS STRIP FOOTING r/w 2 #5 CONTINUOUS BARS.
FW10C	10" CONCRETE FOUNDATION WALL	V.I.F #5 @ 18" c/c V.O.F N/A H.I.F #5 @ 18" c/c H.O.F N/A ON 10"x28" CONTINUOUS STRIP FOOTING r/w 2 #5 CONTINUOUS BARS.
FW10D	10" CONCRETE BUTTRESS WALL	NOT IN USE.
FW10E	10" CONCRETE BUTTRESS WALL	V.I.F #5 @ 12" c/c V.O.F #5 @ 12" c/c HORIZONTAL: #3 TIES @ 10" c/c ON 5'-4" x 24" x 1'-4" PAD FOOTING r/w 4 #6 LONG DIRECTION TOP AND BOTTOM 6 #6 SHORT DIRECTION TOP AND BOTTOM
FW12A	12" CONCRETE BUTTRESS WALL	V.I.F #5 @ 12" c/c V.O.F #5 @ 12" c/c HORIZONTAL: #4 TIES. REFER TO SECTION ON GB1: 7 #6 TOP AND BOTTOM #4 TIES @ 4" c/c 2-HP1 AT EACH END
FW8A	8" CONCRETE FOUNDATION WALL	V #5 @ 16" c/c MIDDLE OF WALL H #5 @ 16" c/c MIDDLE OF WALL ON 10"x24" CONTINUOUS STRIP FOOTING r/w 2 #5 CONTINUOUS BARS.
FTG1	4'-0"x10'-0"x1'-4" CONCRETE PAD FOOTING	r/w 5 #6 BARS LONG DIRECTION EACH FACE 8 #6 BARS SHORT DIRECTION EACH FACE
FTG2	3'-0"x4'-0"x0'-10" CONCRETE PAD FOOTING	r/w 4 #5 BARS LONG DIRECTION BOTTOM 6 #5 BARS SHORT DIRECTION BOTTOM
SF1	20"x10" CONT. STRIP FOOTING	r/w 2 #5 CONTINUOUS
P1	16"x16" CONCRETE PIER (MIN. DIMENSIONS)	r/w 10 #5 VERTICALS AND #4 TIES @ 10" c/c. PROVIDE #5 HOOKED DOWELS TO FOOTING
HP1	HELICAL PILE	EACH PIER RATED FOR 45 KIPS C/T (LFRD)

NOTES:

- AT A MINIMUM PROVIDE DOWELS FROM STRIP FOOTING TO WALLS ABOVE MATCHING VERTICAL BARS FROM WALL ABOVE.
- PROVIDE 1 1/2"x2 1/2" SHEAR KEY IN TOP OF ALL STRIP FOOTINGS.



1 FOUNDATION PLAN
1/4" = 1'-0"

NOTES:

- A GEOTECHNICAL REPORT HAS BEE PREPARED BY IGES INC. "GEOTECHNICAL AND GEOLOGIC HAZARD INVESTIGATION LOT 71R OF SUMMIT EDEN PHASE 1C 8488 E. SPRING PARK ROAD SUMMIT POWDER MOUNTAIN". CONTRACTOR IS TO READ THE REPORT AND BECOME FAMILIAR WITH ITS CONTENTS.
- SHALLOW FOUNDATIONS HAVE BEEN DESIGNED WITH AN ALLOWABLE BEARING CAPACITY OF 2,900psf FOR DEAD AND LIVE LOADS. 1/3 INCREASE FOR SEISMIC AND WIND.
- NO FOOTINGS ARE TO BE CAST WITHOUT PRIOR APPROVAL FROM THE GEOTECHNICAL CONSULTANT.
- ASSUMED SPOT ELEVATIONS OF FOOTINGS ARE GIVEN AS UNDERSIDE OF FOOTING AND ARE RELATIVE FINISHED FLOOR OF (0'-0"). U/S OF FOOTINGS MAY BE REQUIRED TO VARY BASED ON COMMENTS FROM IGES FOLLOWING EXCAVATION.
- REFER TO GENERAL NOTES AND TYPICAL DETAILS FOR ADDITIONAL INFORMATION.

MARK	DATE	DESCRIPTION
	2018.02.01	ISSUED FOR PERMIT
	2017.12.13	ISSUED FOR INTERNAL COORD.
	2017.12.02	ISSUED FOR COORDINATION
	2017.11.22	ISSUED C GRADE COSTING
	2017.11.07	INTERNAL COORDINATION

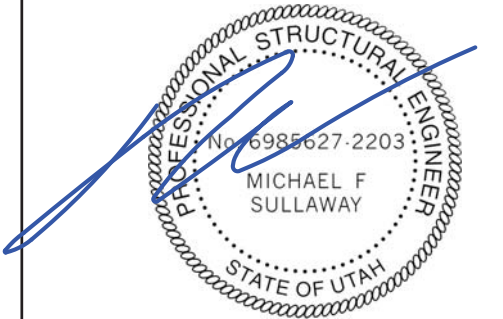
PROJECT NAME:
VILLAGE HOUSE AT LOT 71

PROJECT ADDRESS:
VILLAGE HOUSE LOT 71, SUMMIT POWDER MOUNTAIN

DRAWN: AVB	CHECKED: --
SCALE: AS NOTED	PROJECT NUMBER: 170450

SHEET TITLE:
FOUNDATION PLAN

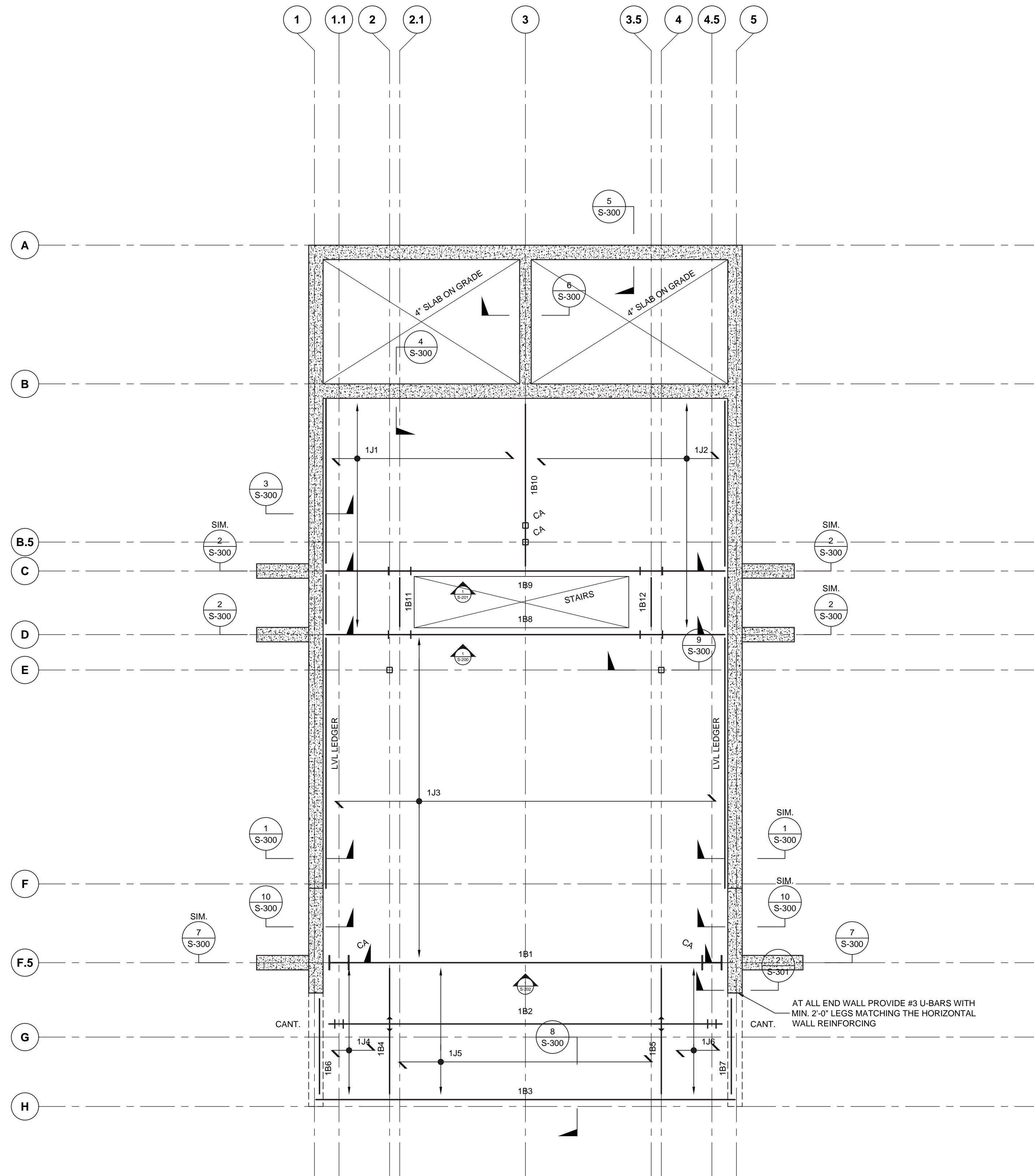
SEAL:



LEVEL 2 MEMBER SCHEDULE				
MEMBER MARK	MEMBER DESCRIPTION	REACTIONS		REMARKS
		LEFT	RIGHT	
1J1	14" REDBUILT RED I-45 @ 16' c/c	1.0 HU416	1.0 HU416	
1J2	14" REDBUILT RED I-45 @ 16' c/c	1.0 HU416	1.0 HU416	
1J3	14" REDBUILT RED I-65 @ 16' c/c	1.5 HU416	1.5 HU416	
1J4	14" REDBUILT RED I-45 @ 16' c/c	1.0 HU416	1.0 HU416	
1J5	14" REDBUILT RED I-45 @ 16' c/c	1.5 HU416	1.5 HU416	
1J6	14" REDBUILT RED I-45 @ 16' c/c	1.0 HU416	1.0 HU416	
1B1 (SFRS)	W12x72	89.0 SEE 7/S-300	89.0 SEE 7/S-300	REFER TO STEEL ELEVATIONS FOR NAILER REQUIREMENTS
1B2	W12x50	22.0 (1)	22.0 (1)	TOP PLATE NAILER + WEB PACK OUT
1B3	W12x30	7.0 (1)	7.0 (1)	TOP PLATE NAILER + WEB PACK OUT
1B4	W12x30	Vi = 7.5 (1) Vt = 19.5 (1) Mt = 33.0 (1)	Vi = 7.5 (1) Vt = 19.5 (1) Mt = 33.0 (1)	TOP PLATE NAILER + WEB PACK OUT
1B5	W12x30	Vi = 7.5 (1) Vt = 19.5 (1) Mt = 33.0 (1)	Vi = 7.5 (1) Vt = 19.5 (1) Mt = 33.0 (1)	TOP PLATE NAILER + WEB PACK OUT
1B6	W12x26	1.5 (1)	1.5 (1)	TOP PLATE NAILER
1B7	W12x26	1.5 (1)	1.5 (1)	TOP PLATE NAILER
1B8 (SFRS)	W12x35	5.0 REFER TO S-105	5.0 REFER TO S-105	REFER TO STEEL ELEVATIONS FOR NAILER REQUIREMENTS
1B9 (SFRS)	W12x35	14.5 REFER TO S-105	14.5 REFER TO S-105	REFER TO STEEL ELEVATIONS FOR NAILER REQUIREMENTS
1B10	W12x26	23.0 (1)	23.0 (1) SIM. 6/S-400	TOP PLATE NAILER
1B11	W12x22	1.0 (8)	1.0 (8)	TOP PLATE NAILER + WEB PACK OUT
1B12	W12x22	1.0 (8)	1.0 (8)	TOP PLATE NAILER + WEB PACK OUT
LVL LEDGER	1 3/4" x 14" LVL	BENT PLATE WITH 3/4" THREADED ROD @ 24" c/c FROM BENT PLATE TO FOUNDATION WALL. FASTEN LEDGER TO PLATE WITH TBS WOOD-TO-STEEL SCREWS @ 8" c/c. REFER TO S/S-300		

NOTES:

- ALL WOOD CONNECTORS ARE TO BE BY SIMPSON STRONG TIE. PROVIDE CONSULTANT WITH FULL SPEC. OF ALL ALTERNATE HANGERS FOR APPROVAL PRIOR TO USE.
- ALL LOADS HAVE BEEN FACTORED IN ACCORDANCE WITH IBC 2015 LOAD CASES (LRFD)
- LEFT AND RIGHT BEAM REACTIONS ORIENTATED WITH THE MEMBER LABEL ON PLAN.
- ALL FASTENERS (i.e. NAILS, SCREWS, ANCHOR BOLTS, ETC.) WHICH ARE TO BE INSTALLED IN PRESERVATIVE TREATED WOOD (i.e. SILL PLATES) SHALL MEET THE REQUIREMENTS OF IBC 2304.9.5.
- FOR STEEL BEAMS, REFER TO S-203 FOR CONNECTION DETAILING



1 GARAGE LEVEL SHOWING LEVEL 2 FRAMING
1/4" = 1'-0"

- MAIN FLOOR DATUM IS LOCATED (8'-11 1/4") ABOVE PROJECT 0'-0"
- TOP OF SHEATHING IS AT (-0'-2") BELOW FINISH
- WHERE CROSSED AND NOTED SHEATHING ELEVATION IS GIVEN RELATIVE TO THE DATUM
- LOADS USED IN DESIGN: DEAD: 40psf (INTERIOR SPACE + 1 1/2" LIGHTWEIGHT GYPCRETE)
SNOW: N/A
LIVE: 40psf
- ALL SHEATHING TO BE 3/4" T&G APPLIED DIRECTLY TO THE JOISTS.
- TYPICAL NAILING SHALL BE 10d NAILS @ 6" c/c @ ALL SUPPORTED EDGES
- OVER SFRS BEAMS NAILING SPACING TO BE 2" ROWS OF 10d BOX NAILS @ 2" c/c TO NAILER PLATE.
- REFER TO GENERAL NOTES AND TYPICAL DETAILS FOR ADDITIONAL INFORMATION.

MARK	DATE	DESCRIPTION
	2018.02.01	ISSUED FOR PERMIT
	2017.12.13	ISSUED FOR INTERNAL COORD.
	2017.12.02	ISSUED FOR COORDINATION
	2017.11.22	ISSUED C GRADE COSTING
	2017.11.07	INTERNAL COORDINATION

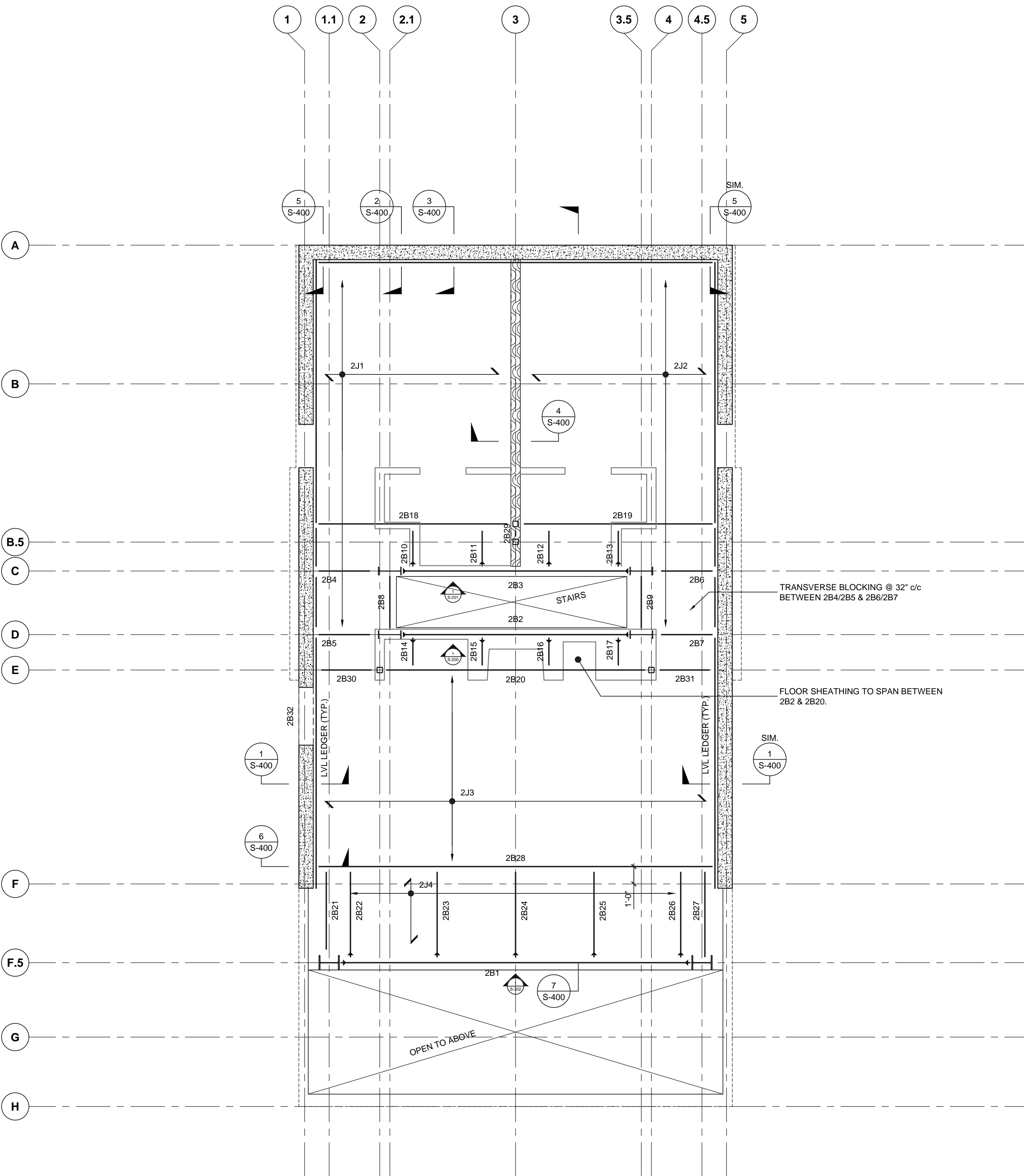
PROJECT NAME:
VILLAGE HOUSE AT LOT 71

PROJECT ADDRESS:
VILLAGE HOUSE LOT 71, SUMMIT POWDER MOUNTAIN

DRAWN: AVB	CHECKED: --
SCALE: AS NOTED	PROJECT NUMBER: 170450

SHEET TITLE:
LEVEL 2 FRAMING PLAN

SEAL:



1 LEVEL 2 SHOWING LEVEL 3 FLOOR FRAMING
S-102 1/4" = 1'-0"

- SECOND FLOOR DATUM IS LOCATED (+18'-4 1/2") ABOVE PROJECT 0'-0"
- TOP OF SHEATHING IS AT (-0'-2") BELOW FINISH
- WHERE CROSSED AND NOTED SHEATHING ELEVATION IS GIVEN RELATIVE TO THE DATUM
- LOADS USED IN DESIGN: DEAD: 40psf (INTERIOR SPACE + 1 1/2" LIGHTWEIGHT GYPCRETE)
SNOW: N/A
LIVE: 40psf
- ALL SHEATHING TO BE 3/4" T&G APPLIED DIRECTLY TO THE JOISTS.
- TYPICAL NAILING SHALL BE 10d NAILS @ 6" c/c @ ALL SUPPORTED EDGES. 12" c/c @ ALL INTERMEDIATE SUPPORT UNLESS OTHERWISE NOTED.
- OVER SMF NAILING SPACING TO BE 2" c/c TO NAILER PLATE.
- REFER TO GENERAL NOTES AND TYPICAL DETAILS FOR ADDITIONAL INFORMATION.

LEVEL 3 MEMBER SCHEDULE				
MEMBER MARK	MEMBER DESCRIPTION	REACTIONS		REMARKS
		LEFT	RIGHT	
2J1	14" REDBUILT RED I-45 @ 16' c/c	1.0 HU416	1.0 HU416	
2J2	14" REDBUILT RED I-45 @ 16' c/c	1.0 HU416	1.0 HU416	
2J3	14" REDBUILT RED I-65 @ 12' c/c	1.5 HU416	1.5 HU416	
2J4	14" REDBUILT RED I-45 @ 16' c/c	1.0 HU416	1.0 HU416	
2B1 (SFRS)	W10x26	Vf = 4.0 Mf = 23.0	Vf = 4.0 Mf = 23.0	RBS SPECIAL MOMENT FRAME REFER TO STEEL ELEVATIONS
2B2 (SFRS)	W14x22	Vf = 3.5 Mf = 18.5	Vf = 3.5 Mf = 18.5	RBS SPECIAL MOMENT FRAME REFER TO STEEL ELEVATIONS
2B3 (SFRS)	W14x22	Vf = 5.5 Mf = 37.0	Vf = 5.5 Mf = 37.0	RBS SPECIAL MOMENT FRAME REFER TO STEEL ELEVATIONS
2B4	W12x22	1.0 SIM. 6/S-400	1.0 SIM. 8	WEB PACK OUT + TOP PLATE NAILER
2B5	W12x22	1.0 SIM. 6/S-400	1.0 SIM. 8	WEB PACK OUT + TOP PLATE NAILER
2B6	W12x22	1.0 SIM. 8	1.0 SIM. 6/S-400	WEB PACK OUT + TOP PLATE NAILER
2B7	W12x22	1.0 SIM. 8	1.0 SIM. 6/S-400	WEB PACK OUT + TOP PLATE NAILER
2B8	W12x22	1.0 SIM. 8	1.0 SIM. 8	WEB PACK OUT + TOP PLATE NAILER
2B9	W12x22	1.0 SIM. 8	1.0 SIM. 8	WEB PACK OUT + TOP PLATE NAILER
2B10	W10x22	Vf = 1.0 Mf = 9.5	1.0	TORSION NODAL BRACE TOP PLATE NAILER
2B11	W10x22	Vf = 1.0 Mf = 9.5	1.0	TORSION NODAL BRACE TOP PLATE NAILER
2B12	W10x22	Vf = 1.0 Mf = 9.5	1.0	TORSION NODAL BRACE TOP PLATE NAILER
2B13	W10x22	Vf = 1.0 Mf = 9.5	1.0	TORSION NODAL BRACE TOP PLATE NAILER
2B14	W10x22	Vf = 1.0 Mf = 9.5	1.0	TORSION NODAL BRACE TOP PLATE NAILER
2B15	W10x22	Vf = 1.0 Mf = 9.5	1.0	TORSION NODAL BRACE TOP PLATE NAILER
2B16	W10x22	Vf = 1.0 Mf = 9.5	1.0	TORSION NODAL BRACE TOP PLATE NAILER
2B17	W10x22	Vf = 1.0 Mf = 9.5	1.0	TORSION NODAL BRACE TOP PLATE NAILER
2B18	W10x22	2.0 SIM. 6/S-400	2.0	
2B19	W10x22	2.0	2.0 SIM. 6/S-400	
2B20	W10x22	2.0	2.0	
2B21	W10x22	1.0 SIM. 8	1.0	
2B22	W10x22	Vf = 1.0 Mf = 9.0	1.0	TORSION NODAL BRACE TOP PLATE NAILER
2B23	W10x22	Vf = 1.0 Mf = 9.0	1.0	TORSION NODAL BRACE TOP PLATE NAILER
2B4	W10x22	Vf = 1.0 Mf = 9.0	1.0	TORSION NODAL BRACE TOP PLATE NAILER
2B25	W10x22	Vf = 1.0 Mf = 9.0	1.0	TORSION NODAL BRACE TOP PLATE NAILER
2B26	W10x22	Vf = 1.0 Mf = 9.0	1.0	TORSION NODAL BRACE TOP PLATE NAILER
2B27	W10x22	1.0 SIM. 8	1.0	
2B28	W10x26	4.5 SIM. 6/S-400	4.5 SIM. 400	
2B29	W10x22	1.0	1.0	
2B30	2 - 1 3/4" x 14" LVL	0.5 HU416	0.5	
2B31	2 - 1 3/4" x 14" LVL	0.5	0.5 HU416	
2B32	10" x 24" CONCRETE BEAM			2 #6 BARS TOP AND BOTTOM #3 STIRRUPS @ 8" c/c
LVL LEDGER	1 3/4" x 14" LVL	BENT PLATE WITH 3/4" THREADED ROD @ 24" c/c FROM BENT PLATE TO FOUNDATION WALL. FASTEN LEDGER TO PLATE WITH TBS WOOD-TO-STEEL SCREWS @ 8" c/c. REFER TO S-300		

NOTES:

- ALL WOOD CONNECTORS ARE TO BE BY SIMPSON STRONG TIE. PROVIDE CONSULTANT WITH FULL SPEC. OF ALL ALTERNATE HANGERS FOR APPROVAL PRIOR TO USE.
- ALL LOADS HAVE BEEN FACTORED IN ACCORDANCE WITH IBC 2015 LOAD CASES (LRFD)
- LEFT AND RIGHT BEAM REACTIONS ORIENTATED WITH THE MEMBER LABEL ON PLAN.
- ALL FASTENERS (i.e. NAILS, SCREWS, ANCHOR BOLTS, ETC.) WHICH ARE TO BE INSTALLED IN PRESERVATIVE TREATED WOOD (i.e. SILL PLATES) SHALL MEET THE REQUIREMENTS OF IBC 2304.9.5.
- FOR STEEL BEAMS, REFER TO S-203 FOR CONNECTION DETAILING

2018.02.01	ISSUED FOR PERMIT
2017.12.13	ISSUED FOR INTERNAL COORD.
2017.12.02	ISSUED FOR COORDINATION
2017.11.22	ISSUED C GRADE COSTING
2017.11.07	INTERNAL COORDINATION

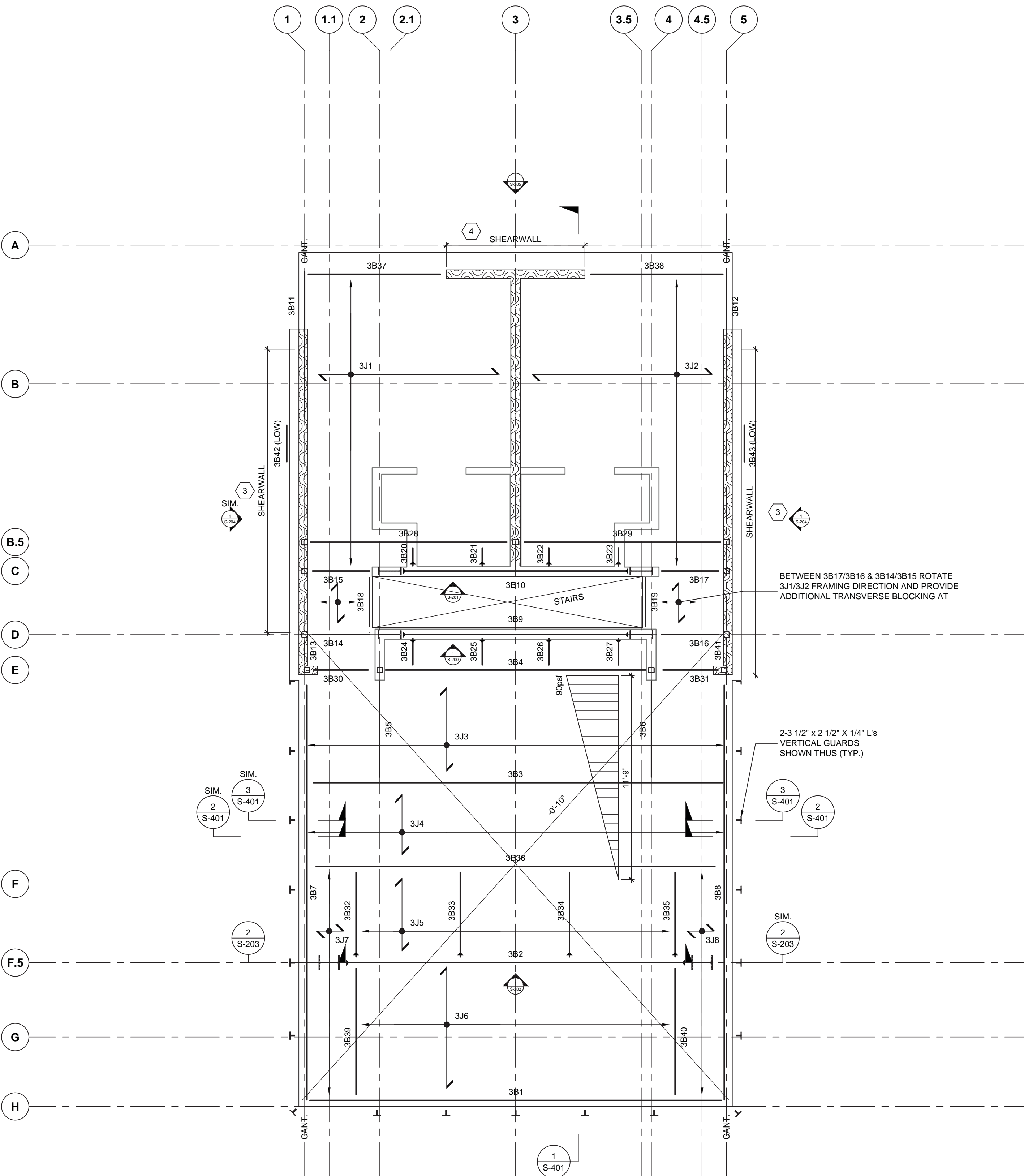
PROJECT NAME:
VILLAGE HOUSE AT LOT 71

PROJECT ADDRESS:
VILLAGE HOUSE LOT 71, SUMMIT POWDER MOUNTAIN

DRAWN: AVB	CHECKED: --
SCALE: AS NOTED	PROJECT NUMBER: 170450

SHEET TITLE:
LEVEL 3 FRAMING PLAN

SEAL:



1 LEVEL 3 SHOWING LEVEL 4 FRAMING
1/4" = 1'-0"

- TERRACE DATUM IS LOCATED (28'-10 1/2") ABOVE PROJECT 0'-0"
- TOP OF SHEATHING IS AT (-0'-2") BELOW THE DATUM.
- WHERE CROSSED AND NOTED SHEATHING ELEVATION IS GIVEN RELATIVE TO THE DATUM
- LOADS USED IN DESIGN: DEAD: 40psf (INTERIOR SPACE + 1 1/2" LIGHTWEIGHT GYPCRETE)
LIVE: 40psf
SNOW: 192psf
- ALL SHEATHING TO BE 3/4" TAG APPLIED DIRECTLY TO THE JOISTS.
- TYPICAL NAILING SHALL BE 10d NAILS @ 6" O/C @ ALL SUPPORTED EDGES AND OVER SHEARWALLS. 12" x 6" @ ALL INTERMEDIATE SUPPORT UNLESS OTHERWISE NOTED.
- OVER SMF NAILING SPACING TO BE 2" O/C TO NAILER PLATE.
- REFER TO GENERAL NOTES AND TYPICAL DETAILS FOR ADDITIONAL INFORMATION.

MEMBER MARK	MEMBER DESCRIPTION	REACTIONS		REMARKS
		LEFT	RIGHT	
3J1	11 7/8" REDBUILT RED I-45 @ 16" c/c	1.0	1.0	PROVIDE HU412 WHERE SUPPORTED BY BEAM FRAMING.
3J2	11 7/8" REDBUILT RED I-45 @ 16" c/c	1.0	1.0	PROVIDE HU412 WHERE SUPPORTED BY BEAM FRAMING.
3J3	11 7/8" REDBUILT RED I-45 @ 16" c/c	2.0	2.0	PROVIDE HU412 WHERE SUPPORTED BY BEAM FRAMING.
3J4	11 7/8" REDBUILT RED I-45 @ 16" c/c	1.5	1.5	PROVIDE HU412 WHERE SUPPORTED BY BEAM FRAMING.
3J5	11 7/8" REDBUILT RED I-45 @ 16" c/c	1.5	1.5	PROVIDE HU412 WHERE SUPPORTED BY BEAM FRAMING.
3J6	11 7/8" REDBUILT RED I-45 @ 16" c/c	2.5	2.5	PROVIDE HU412 WHERE SUPPORTED BY BEAM FRAMING.
3J7	11 7/8" REDBUILT RED I-45 @ 16" c/c	1.0	1.0	PROVIDE HU412 WHERE SUPPORTED BY BEAM FRAMING.
3J8	11 7/8" REDBUILT RED I-45 @ 16" c/c	1.0	1.0	PROVIDE HU412 WHERE SUPPORTED BY BEAM FRAMING.
3B1	W16x36	17.5	17.5	WEB PACK OUT + TOP PLATE NAILER
3B2 (SFRS)	W12x35	Vf = 28.0 Mf = 100.0	Vf = 28.0 Mf = 100.0	RBS SPECIAL MOMENT FRAME REFER TO STEEL ELEVATIONS
3B3	W16x57	30.0	30.0	WEB PACK OUT + TOP PLATE NAILER
3B4	W8x48	13.0	13.0	WEB PACK OUT + TOP PLATE NAILER
3B5	W16x26	1.5	1.5	TOP PLATE NAILER
3B6	W16x26	1.5	1.5	TOP PLATE NAILER
3B7 (SFRS)	W16x67	60.0	19.5	WEB PACK OUT + TOP PLATE NAILER DRAG STRUT TO SHEARWALLS
3B8 (SFRS)	W16x67	60.0	19.5	WEB PACK OUT + TOP PLATE NAILER DRAG STRUT TO SHEARWALLS
3B9 (SFRS)	W14x22	Vf = 2.5 Mf = 14.0	Vf = 2.5 Mf = 14.0	RBS SPECIAL MOMENT FRAME REFER TO STEEL ELEVATIONS
3B10 (SFRS)	W14x22	Vf = 6.0 Mf = 38.0	Vf = 6.0 Mf = 38.0	RBS SPECIAL MOMENT FRAME REFER TO STEEL ELEVATIONS
3B11	3 - 1 3/4" x 11 7/8" LVL	Vf = -5.0 4 1/2" MIN. BEARING	Vf = 14.0 4 1/2" MIN. BEARING	REFER TO SHEARWALL ELEVATIONS FOR STRAP HOLDDOWNS
3B12	3 - 1 3/4" x 11 7/8" LVL	Vf = 14.0 4 1/2" MIN. BEARING	Vf = -5.0 4 1/2" MIN. BEARING	REFER TO SHEARWALL ELEVATIONS FOR STRAP HOLDDOWNS
3B13 (SFRS)	W8x18	1.0	1.0	WEB PACK OUT + TOP PLATE NAILER
3B14	W12x22	1.0	1.0	WEB PACK OUT + TOP PLATE NAILER
3B15	W12x22	1.0	1.0	WEB PACK OUT + TOP PLATE NAILER
3B16	W12x22	1.0	1.0	WEB PACK OUT + TOP PLATE NAILER
3B17	W12x22	1.0	1.0	WEB PACK OUT + TOP PLATE NAILER
3B18	2 - 1 3/4" x 14" LVL	1.0 HU416	1.0 HU416	
3B19	W12x22	1.0	1.0	
3B20	W10x22	Vf = 1.0 Mf = 9.5	1.0	TORSION NODAL BRACE WEB PACK OUT + TOP PLATE NAILER
3B21	W10x22	Vf = 1.0 Mf = 9.5	1.0	TORSION NODAL BRACE WEB PACK OUT + TOP PLATE NAILER
3B22	W10x22	Vf = 1.0 Mf = 9.5	1.0	TORSION NODAL BRACE WEB PACK OUT + TOP PLATE NAILER
3B23	W10x22	Vf = 1.0 Mf = 9.5	1.0	TORSION NODAL BRACE WEB PACK OUT + TOP PLATE NAILER
3B24	W10x22	1.0	1.0	TORSION NODAL BRACE WEB PACK OUT + TOP PLATE NAILER
3B25	W10x22	1.0	1.0	TORSION NODAL BRACE WEB PACK OUT + TOP PLATE NAILER
3B26	W10x22	1.0	1.0	TORSION NODAL BRACE WEB PACK OUT + TOP PLATE NAILER
3B27	W10x22	1.0	1.0	TORSION NODAL BRACE WEB PACK OUT + TOP PLATE NAILER
3B28	W10x22	1.5	1.5	TOP PLATE NAILER
3B29	W10x22	1.5	1.5	TOP PLATE NAILER
3B30	W8x18	3.0	3.0	WEB PACK OUT + TOP PLATE NAILER
3B31	W8x18	3.0	3.0	WEB PACK OUT + TOP PLATE NAILER
3B32	W12x26	Vf = 2.0 Mf = 14.5	2.0	TORSION NODAL BRACE WEB PACK OUT + TOP PLATE NAILER
3B33	W12x26	Vf = 1.5 Mf = 14.5	1.5	TORSION NODAL BRACE TOP PLATE NAILER
3B34	W12x26	Vf = 1.5 Mf = 14.5	1.5	TORSION NODAL BRACE TOP PLATE NAILER
3B35	W12x26	Vf = 2.0 Mf = 14.5	2.0	TORSION NODAL BRACE WEB PACK OUT + TOP PLATE NAILER
3B36	W16x50	24.5	24.5	WEB PACK OUT + TOP PLATE NAILER
3B37	3 - 1 3/4" x 11 7/8" LVL	9.0 HGUS410	9.0 4 1/2" MIN. BEARING	INSTALL DOUBLE LVL WITH HANGER PRIOR TO LAMINATING 3RD PLY
3B38	3 - 1 3/4" x 11 7/8" LVL	9.0 4 1/2" MIN. BEARING	9.0 HGUS410	INSTALL DOUBLE LVL WITH HANGER PRIOR TO LAMINATING 3RD PLY
3B39	2 - 1 3/4" x 11 7/8" LVL	4.0 HU412	4.0 HU412	
3B40	2 - 1 3/4" x 11 7/8" LVL	4.0 HU412	4.0 HU412	
3B41 (SFRS)	W8x18	1.0	1.0	
3B42	2 - 1 3/4" x 11 7/8" LVL	2.0 HUCQ410	2.0 HUCQ410	
3B43	2 - 1 3/4" x 11 7/8" LVL	2.0 HUCQ410	2.0 HUCQ410	

NOTES:

- ALL WOOD CONNECTORS ARE TO BE BY SIMPSON STRONG TIE. PROVIDE CONSULTANT WITH FULL SPEC. OF ALL ALTERNATE HANGERS FOR APPROVAL PRIOR TO USE.
- ALL LOADS HAVE BEEN FACTORED IN ACCORDANCE WITH IBC 2015 LOAD CASES (LRFD)
- LEFT AND RIGHT BEAM REACTIONS ORIENTATED WITH THE MEMBER LABEL ON PLAN.
- ALL FASTENERS (i.e. NAILS, SCREWS, ANCHOR BOLTS, ETC.) WHICH ARE TO BE INSTALLED IN PRESERVATIVE TREATED WOOD (i.e. SILL PLATES) SHALL MEET THE REQUIREMENTS OF IBC 2304.9.5.
- FOR STEEL BEAMS, REFER TO S-203 FOR CONNECTION DETAILING

2018.02.01	ISSUED FOR PERMIT
2017.12.13	ISSUED FOR INTERNAL COORD.
2017.12.02	ISSUED FOR COORDINATION
2017.11.22	ISSUED C GRADE COSTING
2017.11.07	INTERNAL COORDINATION

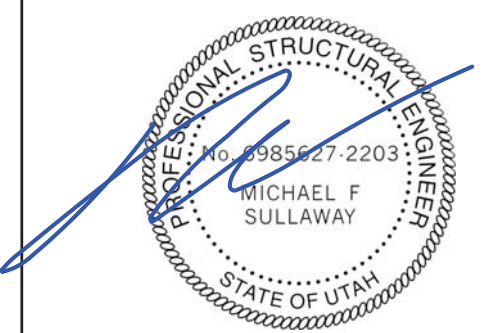
PROJECT NAME:
VILLAGE HOUSE AT LOT 71

PROJECT ADDRESS:
VILLAGE HOUSE LOT 71, SUMMIT POWDER MOUNTAIN

DRAWN: AVB
SCALE: AS NOTED
CHECKED: --
PROJECT NUMBER: 170450

SHEET TITLE:
LEVEL 4 FRAMING PLAN

SEAL:



ROOF MEMBER SCHEDULE				
MEMBER MARK	MEMBER DESCRIPTION	REACTIONS		REMARKS
		LEFT	RIGHT	
RJ1	14" REDBUILT RED I-90 @ 12" c/c	2.5 LSSU410	2.5 LSSU410	SOLID BLOCKING @ 8'-0" c/c MAX
RJ2	14" REDBUILT RED I-45 @ 16" c/c	1.5 LSSU410	1.5 LSSU410	SOLID BLOCKING @ 8'-0" c/c MAX
RB1 (SFRS)	W14x22	Vf=8.0 Mf=28.0	Vf=8.0 Mf=28.0	REFER TO STEEL ELEVATIONS
RB2	W10x26	1.0 (13) 12.5 (13)	1.0 (13) 12.5 (13)	WEB PACK OUT + TOP PLATE NAILER
RB3	W14X22	2.5 (13)	2.5 (13)	WEB PACK OUT + TOP PLATE NAILER
RB4	W14x22	2.5 (13)	2.5 (13)	WEB PACK OUT + TOP PLATE NAILER
RB5	2 - 1 3/4" x 14" LVL	1.0 LSSU410	1.0 MIN 3" BEARING	
RB6	2 - 1 3/4" x 14" LVL	1.0 LSSU410	1.0 MIN 3" BEARING	
RB7	W10x22	Vf= 1.0 Mf= 9.5	1.0 (1)	TORSION NODAL BRACE
RB8	W10x22	Vf= 1.0 Mf= 9.5	1.0 (1)	TORSION NODAL BRACE
RB9	W10x22	Vf= 1.0 Mf= 9.5	1.0 (1)	TORSION NODAL BRACE
RB10	W10x22	Vf= 1.0 Mf= 9.5	1.0 (1)	TORSION NODAL BRACE
RB11	2 - 1 3/4" x 14" LVL	1.5 HU416	1.5 HU416	CUT BOTTOM OF BEAM FLAT AT LOW END, MAX 2" NOTCH.
RB12	2 - 1 3/4" x 14" LVL	1.5 HU416	1.5 HU416	CUT BOTTOM OF BEAM FLAT AT LOW END, MAX 2" NOTCH.
RB13	2 - 1 3/4" x 14" LVL	1.5 HU416	1.5 HU416	CUT BOTTOM OF BEAM FLAT AT LOW END, MAX 2" NOTCH.
RB14	2 - 1 3/4" x 14" LVL	1.5 HU416	1.5 HU416	CUT BOTTOM OF BEAM FLAT AT LOW END, MAX 2" NOTCH.
RB15	2 - 1 3/4" x 14" LVL	1.5 HU416	1.5 HU416	CUT BOTTOM OF BEAM FLAT AT LOW END, MAX 2" NOTCH.
RB16	2 - 1 3/4" x 14" LVL	1.5 HU416	1.5 HU416	CUT BOTTOM OF BEAM FLAT AT LOW END, MAX 2" NOTCH.
RB17	W14x53	30.5 (13)	30.5 (13)	

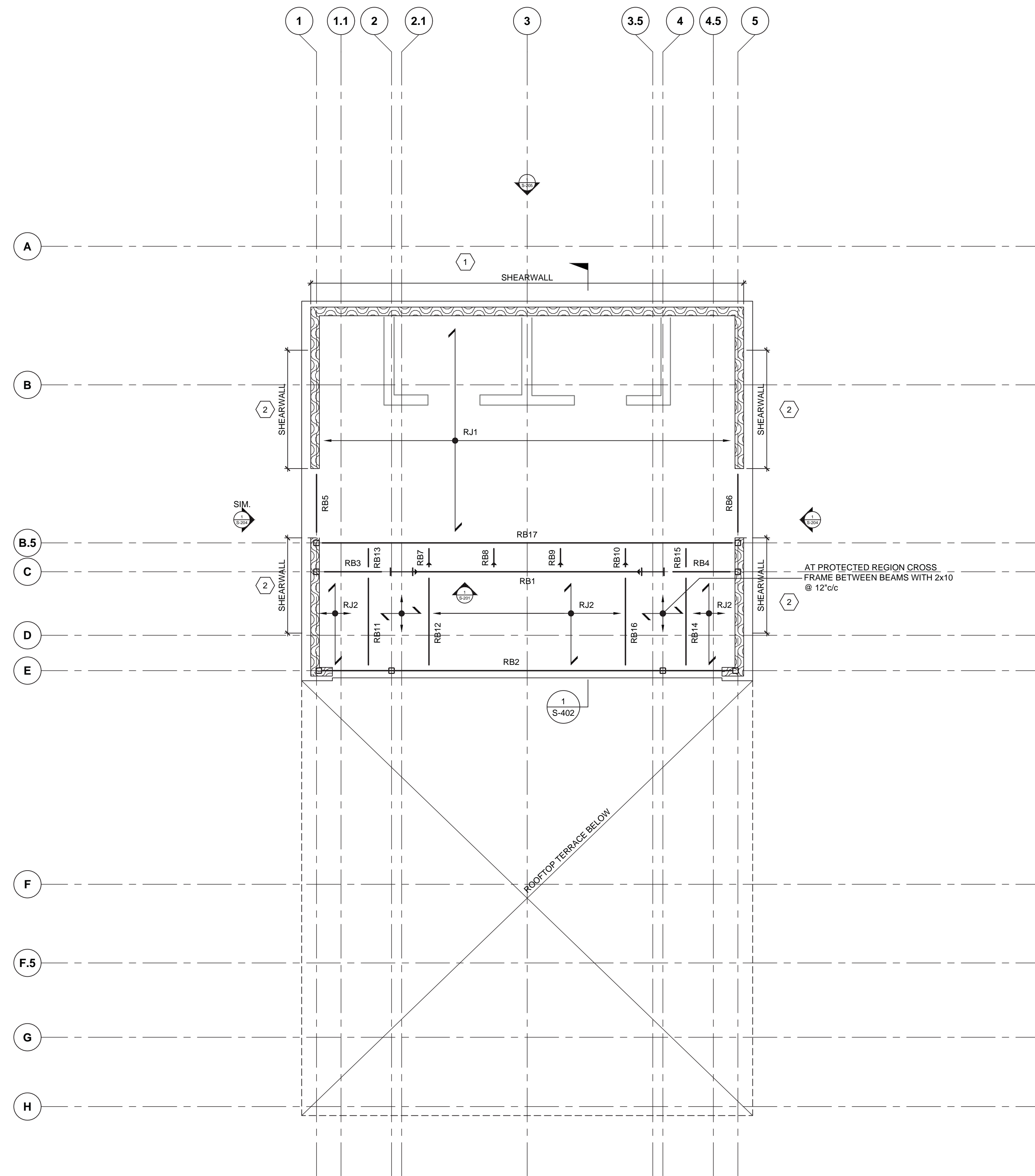
NOTES:

- ALL WOOD CONNECTORS ARE TO BE BY SIMPSON STRONG TIE. PROVIDE CONSULTANT WITH FULL SPEC. OF ALL ALTERNATE HANGERS FOR APPROVAL PRIOR TO USE.
- ALL LOADS HAVE BEEN FACTORED IN ACCORDANCE WITH IBC 2015 LOAD CASES (LRFD)
- LEFT AND RIGHT BEAM REACTIONS ORIENTATED WITH THE MEMBER LABEL ON PLAN.
- ALL FASTENERS (i.e. NAILS, SCREWS, ANCHOR BOLTS, ETC.) WHICH ARE TO BE INSTALLED IN PRESERVATIVE TREATED WOOD (i.e. SILL PLATES) SHALL MEET THE REQUIREMENTS OF IBC 2304.9.5.
- FOR STEEL BEAMS, REFER TO S-203 FOR CONNECTION DETAILING

SHEARWALL SCHEDULE						
MEMBER MARK	PLYWOOD SHEATHING	EDGE NAILING	RIM/BLOCKING TO TOP PLATE	BOTTOM PLATE TO RIM	SILL BOLTING	ASD SHEAR (PLF)
SW1 (1)	15/32" STRUCT I	8d @ 6" c/c	A35 @ 32" c/c	16d @ 6" c/c COMMON	5/8" @ 32" c/c	280
SW2 (2)	15/32" STRUCT I	8d @ 4" c/c	A35 @ 32" c/c	16d @ 6" c/c COMMON	5/8" @ 32" c/c	430
SW3 (3)	15/32" STRUCT I	8d @ 3" c/c	A35 @ 16" c/c	16d @ 6" c/c COMMON	5/8" @ 16" c/c	550
SW4 (4)	15/32" STRUCT I	8d @ 2" c/c	A35 @ 8" c/c	16d @ 6" c/c COMMON	5/8" @ 16" c/c	730

NOTES:

- ALL PANEL EDGES SHALL BE BACKED WITH 2" NOMINAL FRAMING MINIMUM.
- ALL PANEL EDGES RECEIVING EDGE NAILING FROM ABUTTING PANELS SHALL BE 3" NOMINAL MINIMUM OR STAGGER ROWS TO PROVIDE MINIMUM 1/2" EDGE DISTANCE.
- PROVIDE 3"x3"x0.229 WASHERS FOR ALL ANCHOR BOLTS TO STILL PLATES (TYP.). LOCATE ANCHORS, SUCH THAT EDGE OF WASHER IS WITHIN 1/2" OF INSIDE FACE OF SHEATHING.
- AT INTERMEDIATE FRAMING MEMBERS NAIL WALLS @ 12" c/c.
- EDGE NAILS NOTED IN SCHEDULE TO BE STAGGERED AND PROVIDE 1/2" EDGE DISTANCE MINIMUM.
- ALL FASTENERS IN CONTACT WITH PRESSURE TREATED SILL SHALL BE GALVANIZED.
- SEE SHEARWALL ELEVATIONS FOR ADDITIONAL INFORMATION.



1 LEVEL 4 SHOWING UPPER ROOF FRAMING
S-104 1/4" = 1'-0"

- ROOF DATUM VARIES BASED ON ROOF SLOPE. REFER TO ARCHITECTURAL DRAWINGS.
- TOP OF SHEATHING IS AT (-0'-3 1/2") BELOW FINISH
- LOADS USED IN DESIGN: DEAD: 25psf
SNOW: 192psf
LIVE: N/A
- ALL SHEATHING TO BE 3/4" T&G APPLIED DIRECTLY TO THE JOISTS.
- TYPICAL NAILING SHALL BE 10d NAILS @ 6" c/c @ ALL SUPPORTED EDGES AND OVER SHEARWALLS. 12" c/c @ ALL INTERMEDIATE SUPPORT UNLESS OTHERWISE NOTED.
- OVER SMF NAILING SPACING TO BE 2" c/c TO NAILER PLATE.
- REFER TO GENERAL NOTES AND TYPICAL DETAILS FOR ADDITIONAL INFORMATION.

2018.02.01	ISSUED FOR PERMIT
2017.12.13	ISSUED FOR INTERNAL COORD.
2017.12.02	ISSUED FOR COORDINATION
2017.11.22	ISSUED C GRADE COSTING
2017.11.07	INTERNAL COORDINATION

PROJECT NAME:
VILLAGE HOUSE AT LOT 71

PROJECT ADDRESS:
VILLAGE HOUSE LOT 71, SUMMIT POWDER MOUNTAIN

DRAWN: AVB	CHECKED: --
SCALE: AS NOTED	PROJECT NUMBER: 170450

SHEET TITLE:
ROOF FRAMING PLAN

SEAL:



COLUMN SCHEDULE	B.5 - 1	B.5(-1'-5/8") - 3	B.5 - 3	B.5 - 5	C - 1	C - 2.1	C - 3.5	C - 5	D - 1	D - 2.1	D - 3.5	D - 5	E - 1.1	E - 2	E - 4	E - 5	F.5 - 1.1	F.5 - 4.5	G(-0'-9 1/16") - 1.1	G(-0'-9 1/16") - 4.5	
DATA																					
ROOF PEAK (34'-3 1/4")																					
LEVEL 4 (28'-10 1/2")	HSS 4"x4"x 1/2" Cf: 31.0			HSS 4"x4"x 1/2" Cf: 31.0	HSS 4"x4"x 1/2" Cf: 2.5			HSS 4"x4"x 1/2" Cf: 2.5	HSS 4"x4"x 1/2" Cf: 2.5				HSS 4"x4"x 1/2" Cf: 0								
TOP OF CONCRETE WALL (20'-4 1/2")																					
LEVEL 3 (18'-4 1/2")			HSS 4"x4"x 1/2" Cf: 6.0																		
LEVEL 2 (8'-11 1/4")		TRANSFER BEAM HSS 4"x4"x 1/2" Cf: 4.0	TRANSFER BEAM HSS 4"x4"x 1/2" Cf: 6.0			TRANSFER BEAM W16x61 Cf: 35.5 Tf: -27.5 Mf: 100.0 Vf: 14.0	TRANSFER BEAM W16x61 Cf: 35.5 Tf: -27.5 Mf: 100.0 Vf: 14.0			TRANSFER BEAM W16x61 Cf: 12.5 Tf: -7.5 Mf: 44.0 Vf: 7.0	TRANSFER BEAM W16x61 Cf: 12.5 Tf: -7.5 Mf: 44.0 Vf: 7.0						TRANSFER BEAM W14x74 Cf: 93.0 Tf: 0 Mf: 101.5	TRANSFER BEAM W14x74 Cf: 93.0 Tf: 0 Mf: 101.5			
LEVEL 1 (0'-0")																					
BASEPLATE	A			A	A	B	B	A	A	B	B	A	A	A	A	A			F	F	
ADDITIONAL																					

NOTES:
1. ALL FORCES ARE GIVEN IN KIP AND KIP-FT.

BASEPLATE A - 5/8" THICK	BASEPLATE B - 5/8" THICK	BASEPLATE C - 5/8" THICK	BASEPLATE D - 5/8" THICK	BASEPLATE E - 5/8" THICK	BASEPLATE F - 5/8" THICK	BASEPLATE G - 13/16" THICK
2-5/8"Ø HILTI HIT-Z BARS DRILLED AND EPOXIED 6" USING HILTI HIT-HY 200	4-5/8"Ø HILTI HIT-Z BARS DRILLED AND EPOXIED 6" USING HILTI HIT-HY 200	4-3/4"Ø HILTI HEX HEAD HEADED STUD ANCHORS CAST-IN WITH 6" EMBEDMENT	2-5/8"Ø HILTI HEX HEAD CAST IN ANCHORS MIN. 8" EMBEDMENT	8-5/8"Ø HILTI HEX HEAD HEADED STUD ANCHORS WELDED TO BASEPLATE CAST-IN WITH EMBEDMENT AS SHOWN	4-5/8"Ø HILTI HIT-Z BARS DRILLED AND EPOXIED 6" USING HILTI HIT-HY 200	2-5/8"Ø HILTI HEX HEAD CAST IN ANCHORS MIN. 8" EMBEDMENT

2018.02.01	ISSUED FOR PERMIT
2017.12.13	ISSUED FOR INTERNAL COORD.
2017.12.02	ISSUED FOR COORDINATION
2017.11.22	ISSUED C GRADE COSTING
2017.11.07	INTERNAL COORDINATION

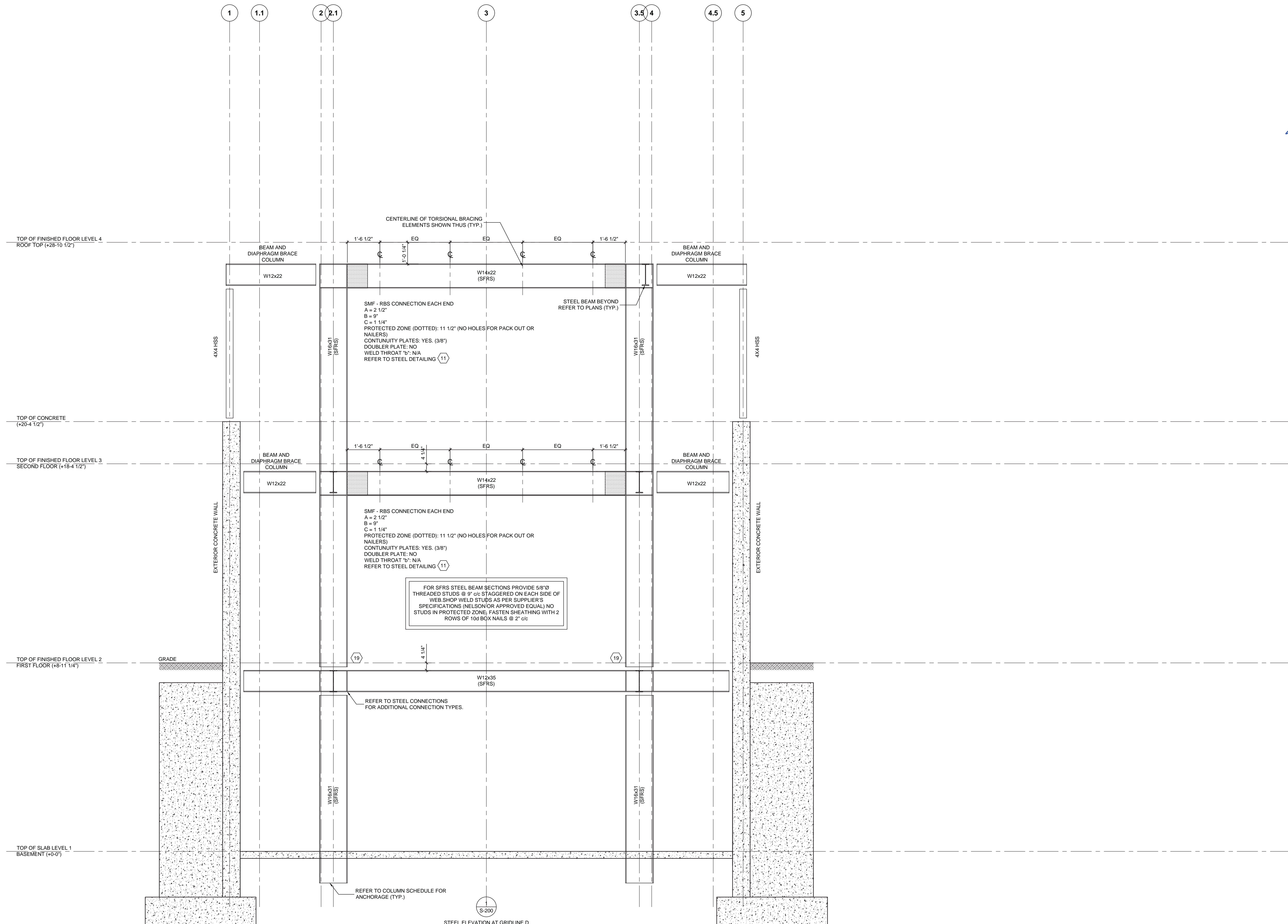
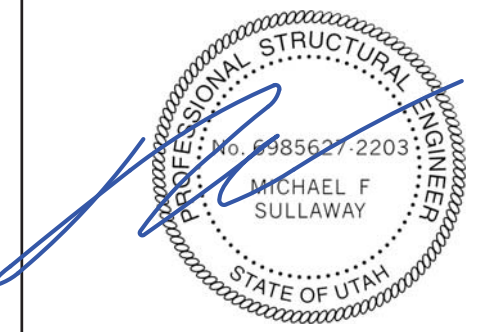
PROJECT NAME:
VILLAGE HOUSE AT LOT 71

PROJECT ADDRESS:
VILLAGE HOUSE LOT 71, SUMMIT POWDER MOUNTAIN

DRAWN: AVB	CHECKED: --
SCALE: AS NOTED	PROJECT NUMBER: 170450

SHEET TITLE:
COLUMN SCHEDULE

SEAL:



MARK	DATE	DESCRIPTION
	2018.02.01	ISSUED FOR PERMIT
	2017.12.13	ISSUED FOR INTERNAL COORD.
	2017.12.02	ISSUED FOR COORDINATION
	2017.11.22	ISSUED C GRADE COSTING
	2017.11.07	INTERNAL COORDINATION

PROJECT NAME:
VILLAGE HOUSE AT LOT 71

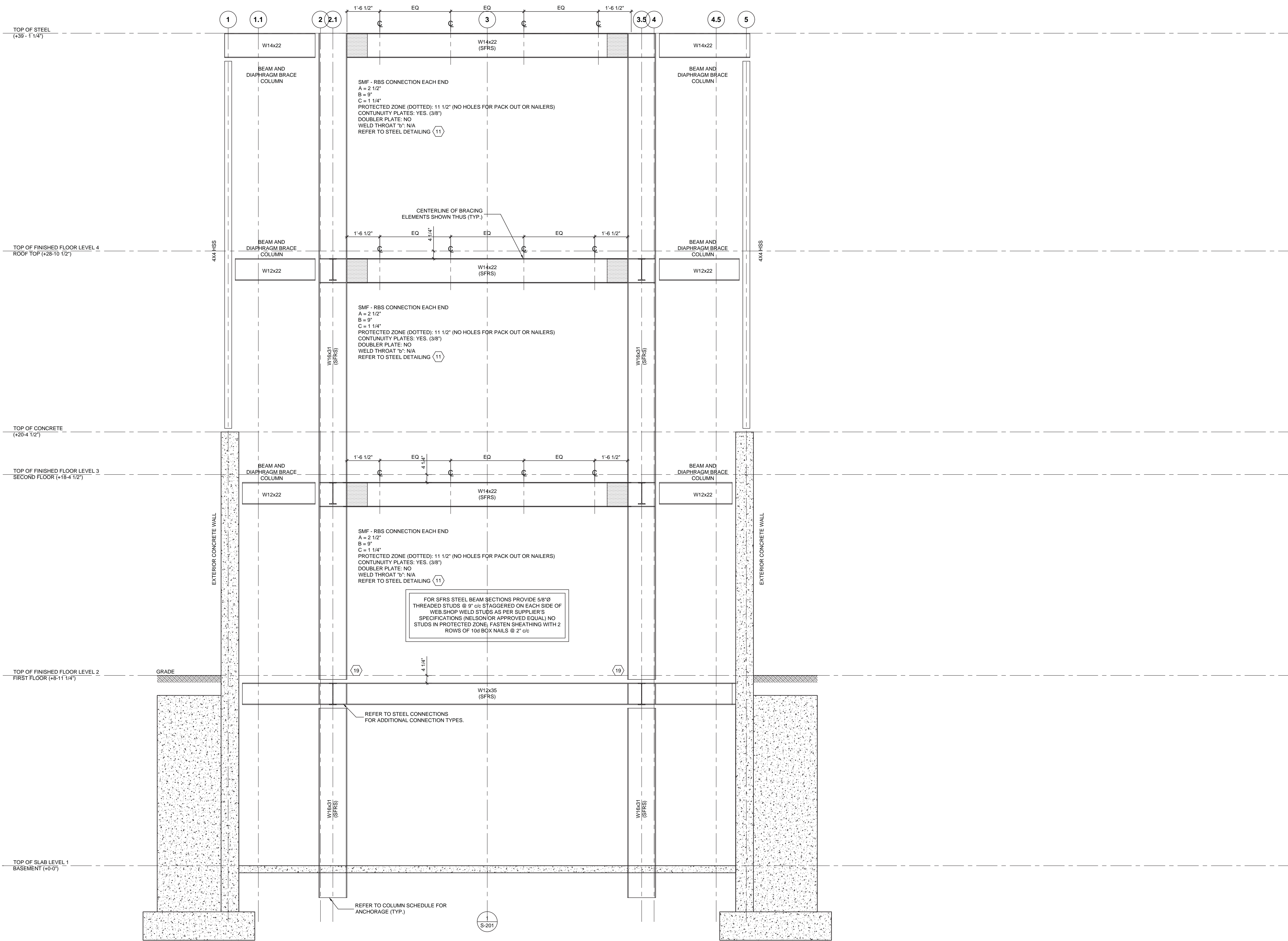
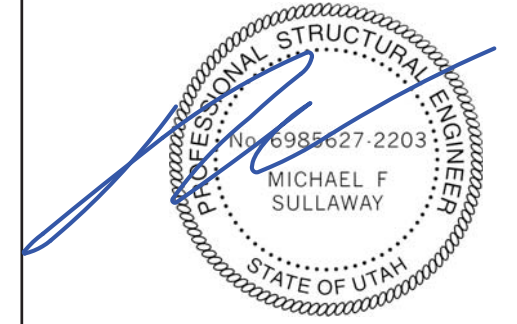
PROJECT ADDRESS:
VILLAGE HOUSE LOT 71, SUMMIT POWDER MOUNTAIN

DRAWN: AVB	CHECKED: --
SCALE: AS NOTED	PROJECT NUMBER: 170450

SHEET TITLE:
STEEL ELEVATIONS

S-200

SEAL:



MARK	DATE	DESCRIPTION
	2018.02.01	ISSUED FOR PERMIT
	2017.12.13	ISSUED FOR INTERNAL COORD.
	2017.12.02	ISSUED FOR COORDINATION
	2017.11.22	ISSUED C GRADE COSTING
	2017.11.07	INTERNAL COORDINATION

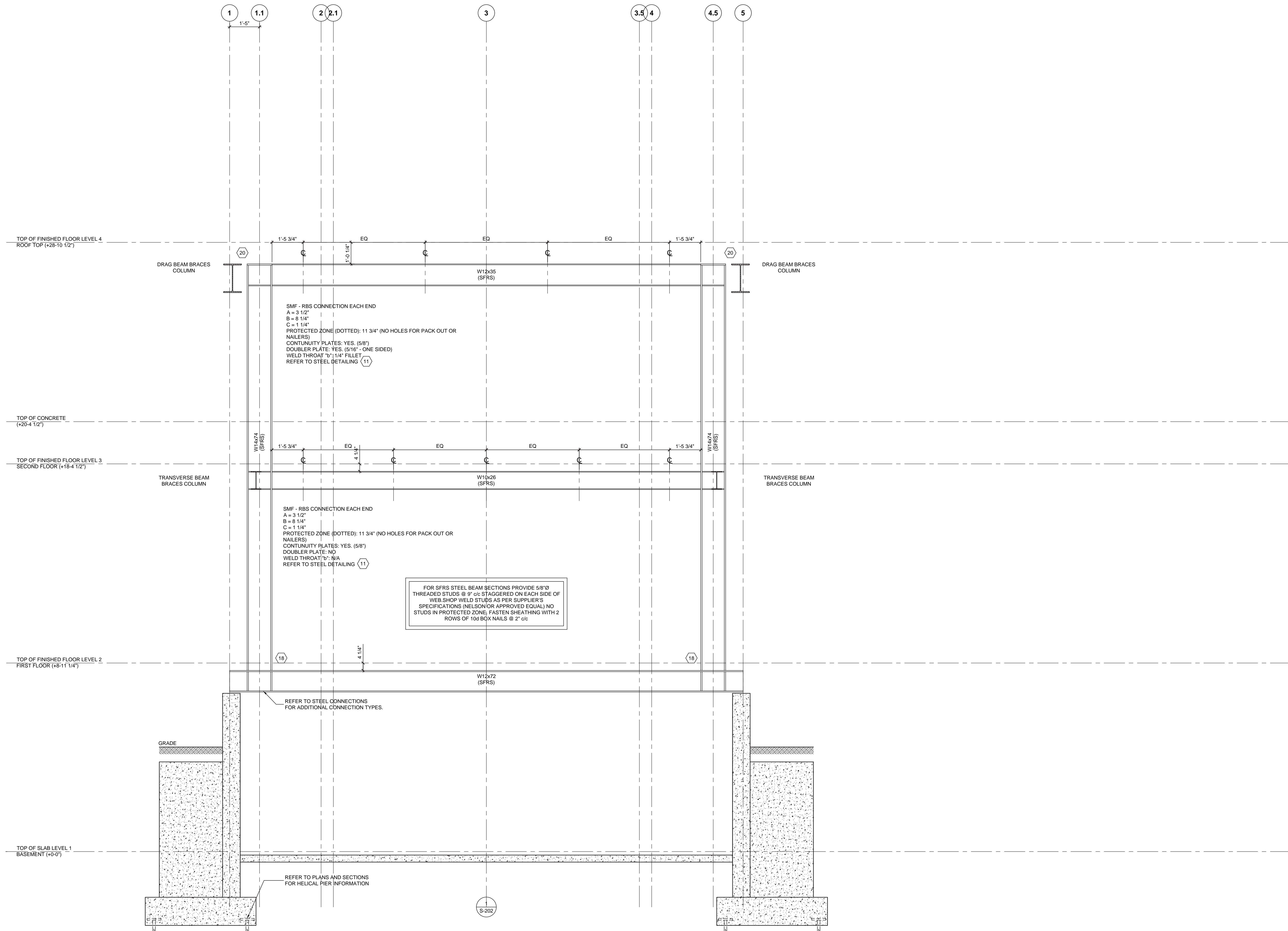
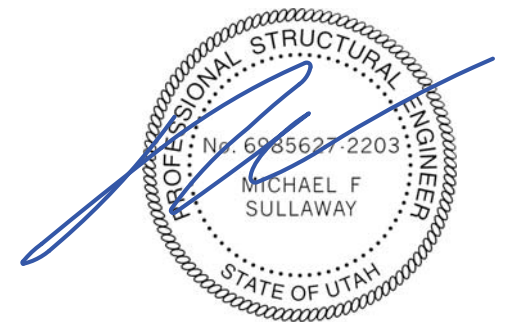
PROJECT NAME:
VILLAGE HOUSE AT LOT 71

PROJECT ADDRESS:
VILLAGE HOUSE LOT 71, SUMMIT POWDER MOUNTAIN

DRAWN: AVB	CHECKED: --
SCALE: AS NOTED	PROJECT NUMBER: 170450

SHEET TITLE:
STEEL ELEVATIONS CONT'D

SEAL:



2018.02.01	ISSUED FOR PERMIT
2017.12.13	ISSUED FOR INTERNAL COORD.
2017.12.02	ISSUED FOR COORDINATION
2017.11.22	ISSUED C GRADE COSTING
2017.11.07	INTERNAL COORDINATION

PROJECT NAME:
VILLAGE HOUSE AT LOT 71

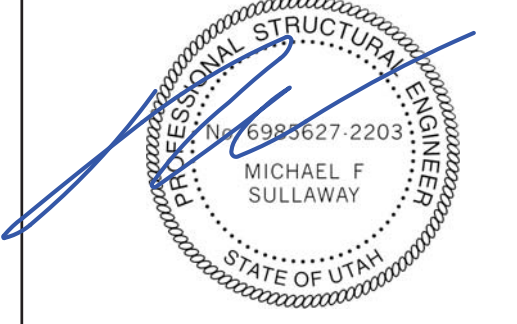
PROJECT ADDRESS:
VILLAGE HOUSE LOT 71, SUMMIT POWDER MOUNTAIN

DRAWN: AVB	CHECKED: --
SCALE: AS NOTED	PROJECT NUMBER: 170450

SHEET TITLE:
STEEL ELEVATIONS CONT'D

S-202

SEAL:



REFER TO DETAIL 5 FOR SHEAR PL AND BOLTS

ONE-SIDED CONNECTION

REFER TO DETAIL 5 FOR SHEAR PL AND BOLTS

TWO-SIDED CONNECTION

REFER TO DETAIL 5 FOR SHEAR PL AND BOLTS

TWO-SIDED CONNECTION

REFER TO DETAIL 5 FOR SHEAR PL AND BOLTS

TWO-SIDED CONNECTION

BEAM SIZE	PLATE THICKNESS	BOLTS DIA.	QTY.	DIM. 'B'	V _f (kips) (MAX)
W8	5/16	3/4	2	25	24
W10	5/16	3/4	2	25	24
W12	5/16	3/4	3	25	41
W14	5/16	3/4	3	25	43
W16	5/16	3/4	4	25	62
W18	5/16	3/4	5	25	81

CONNECTION SCHEDULE NOTES

- ALL HOLE SIZES ARE 1/8" UNLESS NOTED
- BOLTS TO BE ASTM A325N OR A325X
- ALL WELDS TO BE E70XX
- SHEAR PLATES SHALL BE MINIMUM GRADE A36
- REFER TO BEAM SCHEDULE FOR FACTORED DESIGN REACTIONS. THE REACTION FORCES NOTED IN THE RESPECTIVE BEAM SCHEDULES SHALL NOT EXCEED THE CONNECTION CAPACITY NOTED IN THIS TABLE.

REFER TO DETAIL 5 FOR SHEAR PL AND BOLTS

UNEQUAL BEAM AND GIRDER DEPTH

REFER TO DETAIL 5 FOR SHEAR PL AND BOLTS

EQUAL BEAM AND GIRDER DEPTH

REFER TO DETAIL 5 FOR SHEAR PL AND BOLTS

REFER TO DETAIL 5 FOR SHEAR PL AND BOLTS

REFER TO DETAIL 5 FOR SHEAR PL AND BOLTS

REFER TO DETAIL 5 FOR SHEAR PL AND BOLTS

REFER TO STEEL ELEVATION FOR DIMENSIONS A, B, C

WELD THROAT "a" TO BE THICKNESS OF CONTINUITY PLATE, LESS 1/16"

REFER TO STEEL ELEVATIONS FOR WELD THROAT THICKNESS "b" AND DOUBLER PLATE QUANTITY AND THICKNESS

3/8" SHEAR TAB 5/8" BOLTS @ 3" OC (2 MIN) FOR ERECTION ONLY

REFER TO DETAIL 16 FOR WELD SIZE & FOR STIFFENERS, TYP.

REFER TO DETAIL 16 FOR WELD SIZE & FOR STIFFENERS, TYP.

COLUMN SIZE	BEAM FLANGE WIDTH	PLATES	COLUMN SIZE	BEAM FLANGE WIDTH	PLATES
3"x3"	< 4'-0"	1/2" 9" 4" 2X1"	5"x5"	< 4'-0"	1/2" 11" 4" 2X1"
	4'-0" - 6"	1/2" 9" 5" 2X1"		4'-0" - 6"	1/2" 11" 5" 2X1"
	6'-7"	1/2" 9" 6" 3X1"		6'-7"	1/2" 11" 6" 3X1"
	7'-8 1/2"	1/2" 9" 7" 4"		7'-8 1/2"	1/2" 11" 7" 4"
	> 7'-9"	1/2" 9" 8" 5X1"		> 7'-9"	1/2" 11" 8" 5X1"

COL. PLATE SCHEDULE NOTES

- ALL WELDS TO BE E70XX
- PLATES SHALL BE GRADE A36
- MIN. COLUMN HEIGHT: 8'-0"
- MAXIMUM FACTORED COLUMN LOADS. REFER TO PLAN.
- HSS2"x4" = 45 kips HSS2"x6" = 100 kips
- HSS4"x4" = 85 kips HSS4"x6" = 155 kips
- REFER TO DETAIL 16 FOR WELD SIZE & FOR STIFFENERS, TYP.

REFER TO DETAIL 16 FOR WELD SIZE & FOR STIFFENERS, TYP.

REFER TO DETAIL 16 FOR WELD SIZE & FOR STIFFENERS, TYP.

COLUMN SIZE	BEAM FLANGE WIDTH	PLATES	COLUMN SIZE	BEAM FLANGE WIDTH	PLATES
3"x3"	< 4'-0"	1/2" 10" 4" 2X1"	5"x5"	< 4'-0"	1/2" 12" 4" 2X1"
	4'-0" - 6"	1/2" 10" 5" 2X1"		4'-0" - 6"	1/2" 12" 5" 2X1"
	6'-7"	1/2" 10" 6" 3X1"		6'-7"	1/2" 12" 6" 3X1"
	7'-8 1/2"	1/2" 10" 7" 4"		7'-8 1/2"	1/2" 12" 7" 4"
	> 7'-9"	1/2" 10" 8" 5X1"		> 7'-9"	1/2" 12" 8" 5X1"

COL. PLATE SCHEDULE NOTES

- ALL WELDS TO BE E70XX
- PLATES SHALL BE GRADE A36
- MIN. COLUMN HEIGHT: 8'-0"
- MAXIMUM FACTORED COLUMN LOADS. REFER TO PLAN.
- HSS2"x4" = 45 kips HSS2"x6" = 100 kips
- HSS4"x4" = 85 kips HSS4"x6" = 155 kips
- REFER TO DETAIL 16 FOR WELD SIZE & FOR STIFFENERS, TYP.

COLUMN SIZE	BEAM SIZE	PLATES	COLUMN SIZE	BEAM SIZE	PLATES
3"x3"	W8	1/2" 1/2" 1/2"	5"x5"	W8	1/2" 1/2" 1/2"
	W10	1/2" 1/2" 1/2"		W10	1/2" 1/2" 1/2"
	W12	1/2" 1/2" 1/2"		W12	1/2" 1/2" 1/2"
	W14	1/2" 1/2" 1/2"		W14	1/2" 1/2" 1/2"
	W16	1/2" 1/2" 1/2"		W16	1/2" 1/2" 1/2"
	W18	1/2" 1/2" 1/2"		W18	1/2" 1/2" 1/2"

STIFFENER SCHEDULE NOTES

- SECTIONS HEAVIER THAN WHAT IS NOTED IN THE SCHEDULE DO NOT REQUIRE STIFFENERS
- PLATE WIDTH (REFERENCE DIMENSION A) SHALL BE TAKEN AS 1/2" - 2" WHERE 1/2" IS THE WIDTH OF THE BEAM FLANGE
- ALL WELDS TO BE E70XX
- PLATES SHALL BE GRADE A36

REFER TO DETAIL 11 FOR MOMENT CONNECTION

LEG OF WELD "a" TO BE "w" BRACE LESS 1/16"

REFER TO DETAIL 11 FOR MOMENT CONNECTION

REFER TO DETAIL 11 FOR MOMENT CONNECTION

REFER TO DETAIL 11 FOR MOMENT CONNECTION

2018.02.01	ISSUED FOR PERMIT
2017.12.13	ISSUED FOR INTERNAL COORD.
2017.12.02	ISSUED FOR COORDINATION
2017.11.22	ISSUED C GRADE COSTING
2017.11.07	INTERNAL COORDINATION

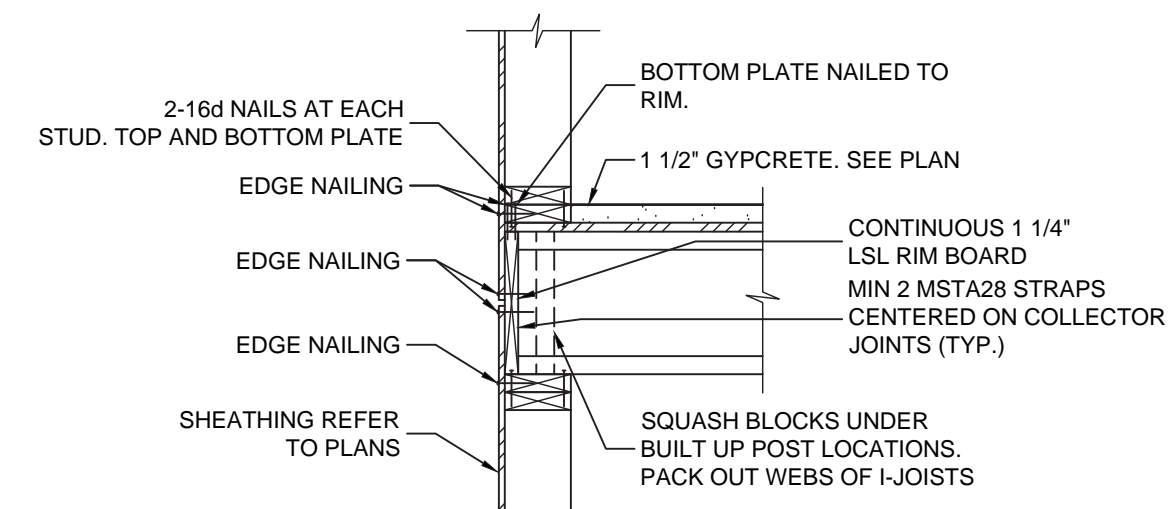
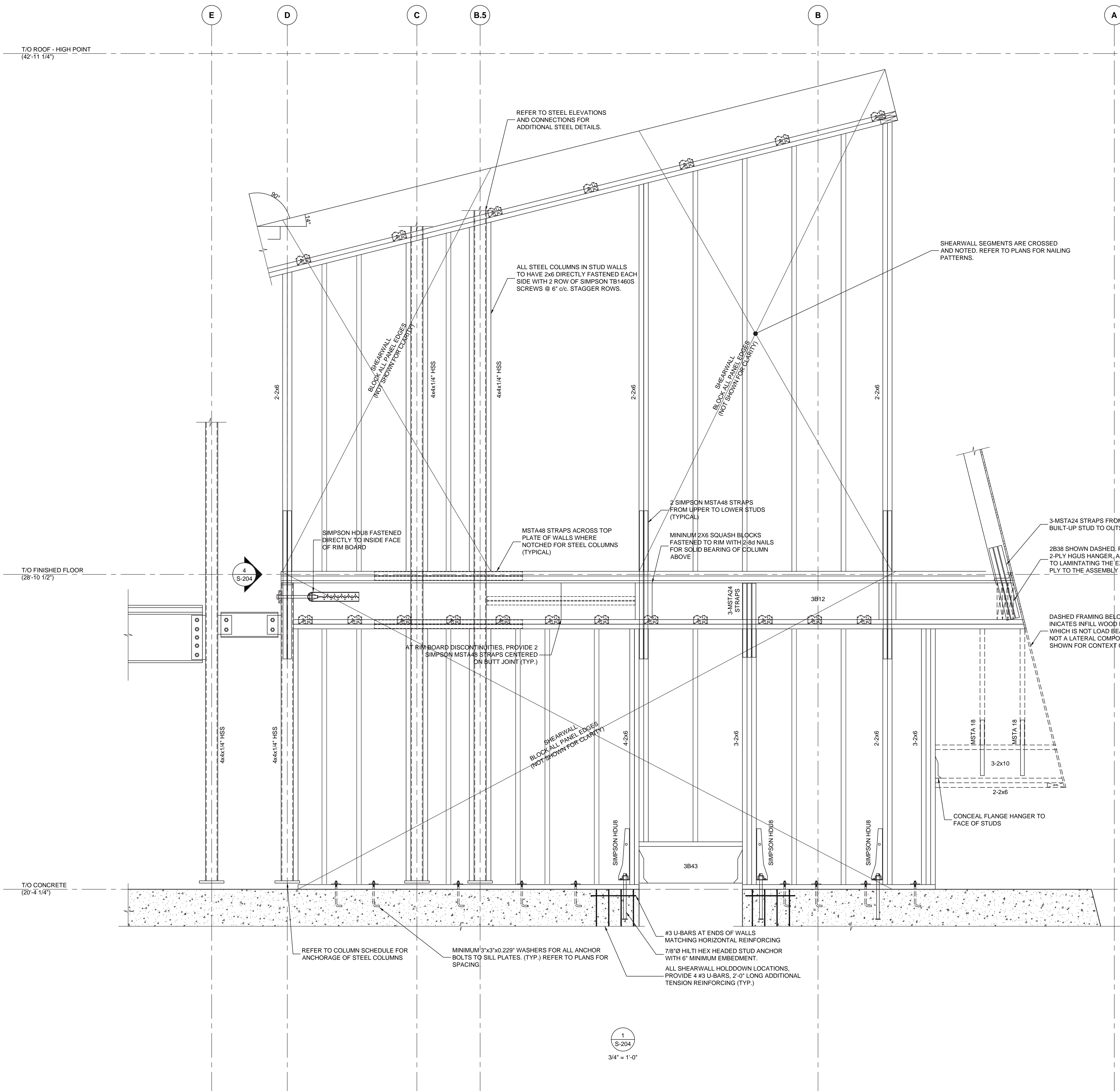
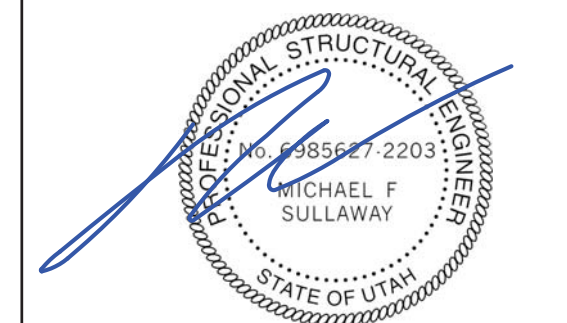
PROJECT NAME:
VILLAGE HOUSE AT LOT 71

PROJECT ADDRESS:
VILLAGE HOUSE LOT 71, SUMMIT POWDER MOUNTAIN

DRAWN: AVB
SCALE: AS NOTED
SHEET TITLE: STEEL CONNECTIONS

CHECKED: --
PROJECT NUMBER: 170450

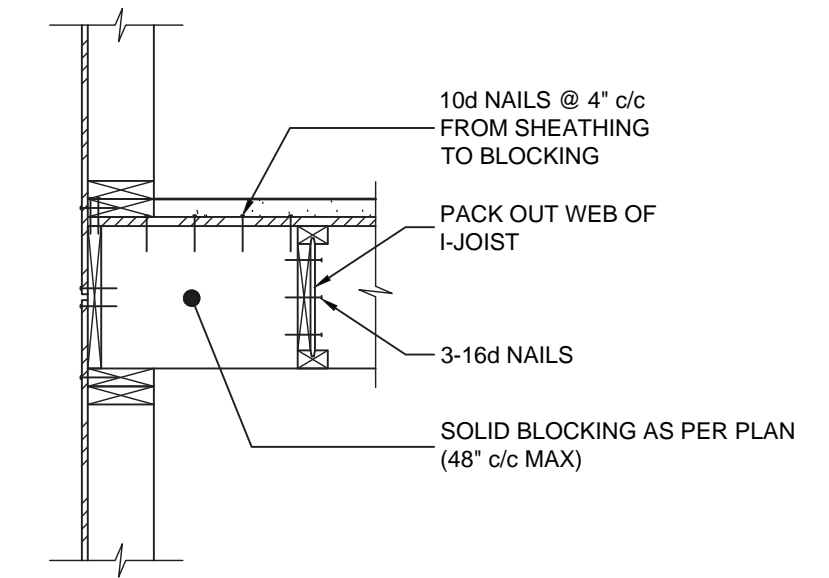
SEAL:



PROVIDE 1/2\"/>

EXTERIOR SHEARWALL - JOISTS PERPENDICULAR

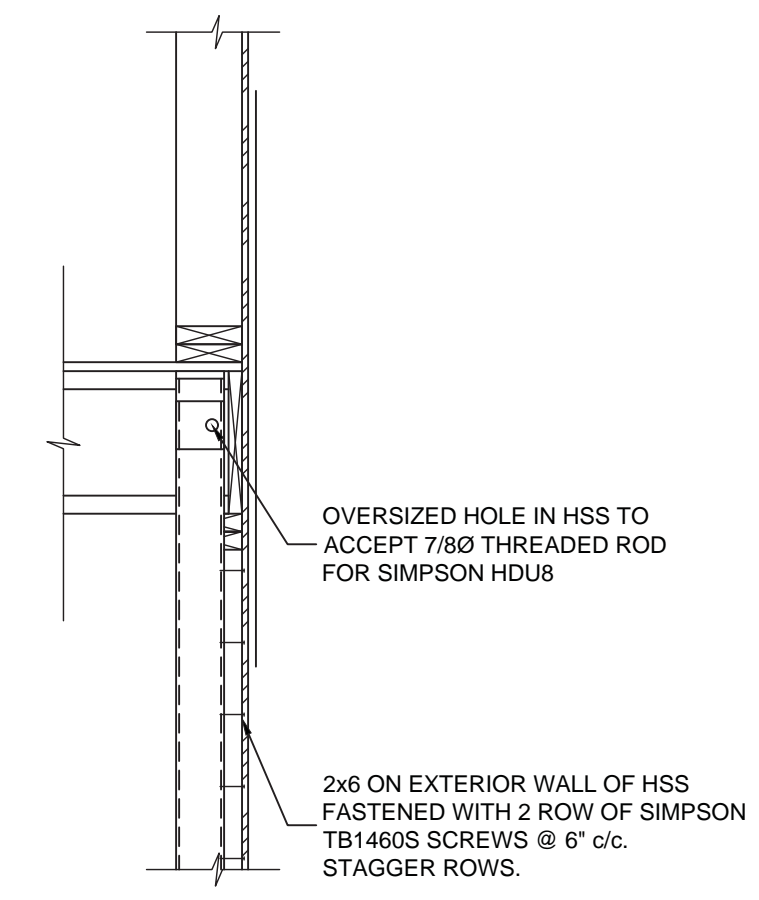
2
S-204
3/4\"/>



SAME AS PERPENDICULAR UNLESS NOTED

EXTERIOR SHEARWALL - JOISTS PARALLEL

3
S-204
3/4\"/>



4
S-204
3/4\"/>

2018.02.01	ISSUED FOR PERMIT
2017.12.13	ISSUED FOR INTERNAL COORD.
2017.12.02	ISSUED FOR COORDINATION
2017.11.22	ISSUED C GRADE COSTING
2017.11.07	INTERNAL COORDINATION

MARK DATE DESCRIPTION
PROJECT NAME:
VILLAGE HOUSE AT LOT 71

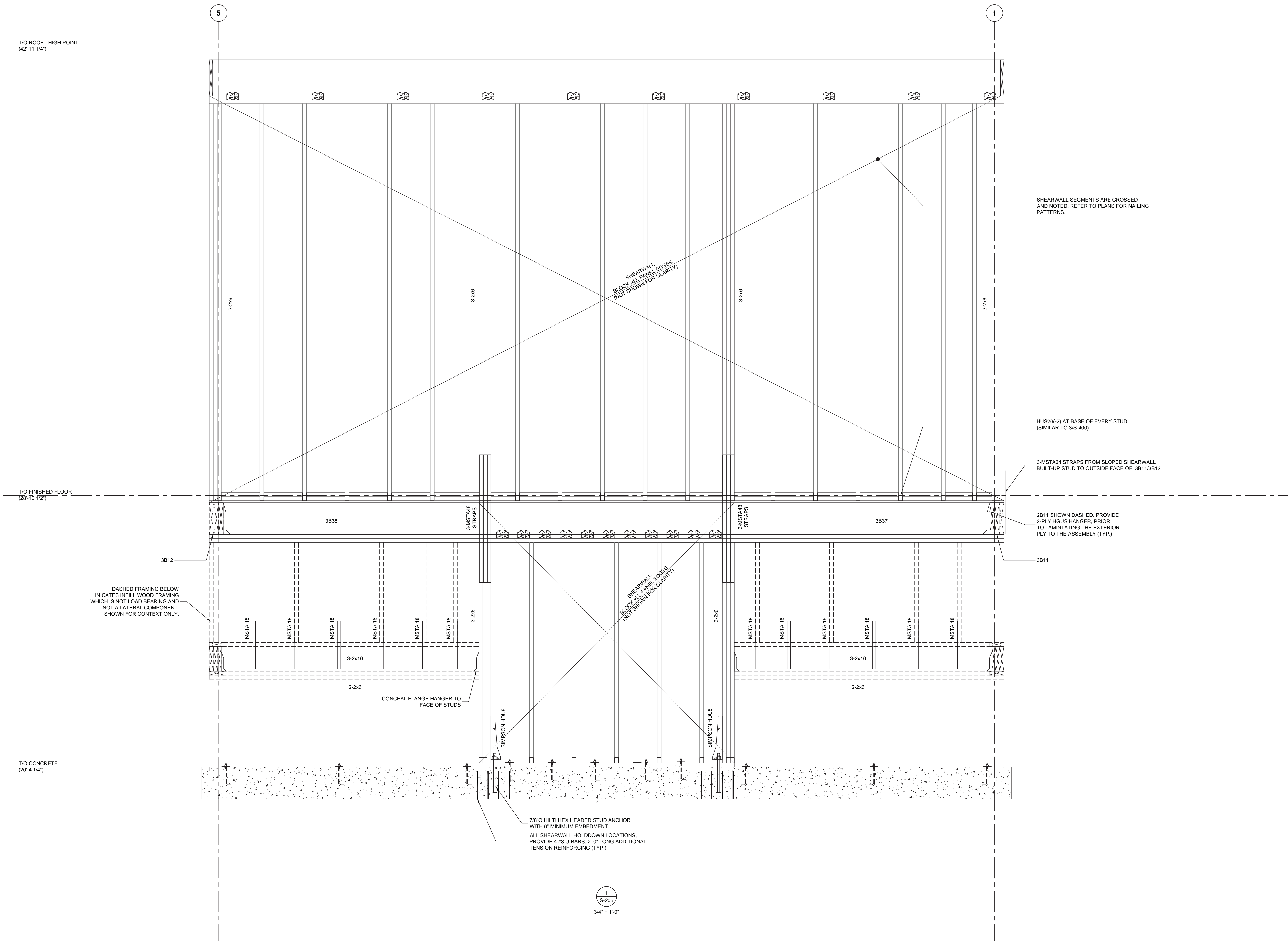
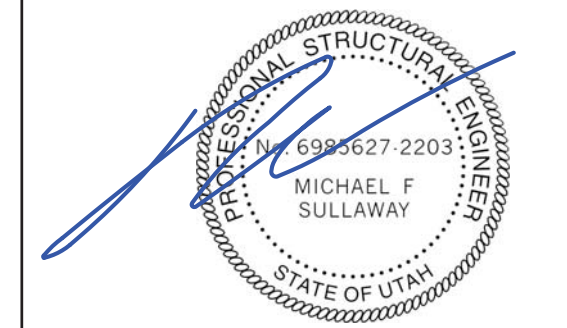
PROJECT ADDRESS:
VILLAGE HOUSE LOT 71, SUMMIT POWDER MOUNTAIN

DRAWN: AVB
SCALE: AS NOTED
CHECKED: --
PROJECT NUMBER: 170450

SHEET TITLE:
WOOD SHEARWALL ELEVATIONS

S-204

SEAL:



MARK	DATE	DESCRIPTION
	2018.02.01	ISSUED FOR PERMIT
	2017.12.13	ISSUED FOR INTERNAL COORD.
	2017.12.02	ISSUED FOR COORDINATION
	2017.11.22	ISSUED C GRADE COSTING
	2017.11.07	INTERNAL COORDINATION

PROJECT NAME:
VILLAGE HOUSE AT LOT 71

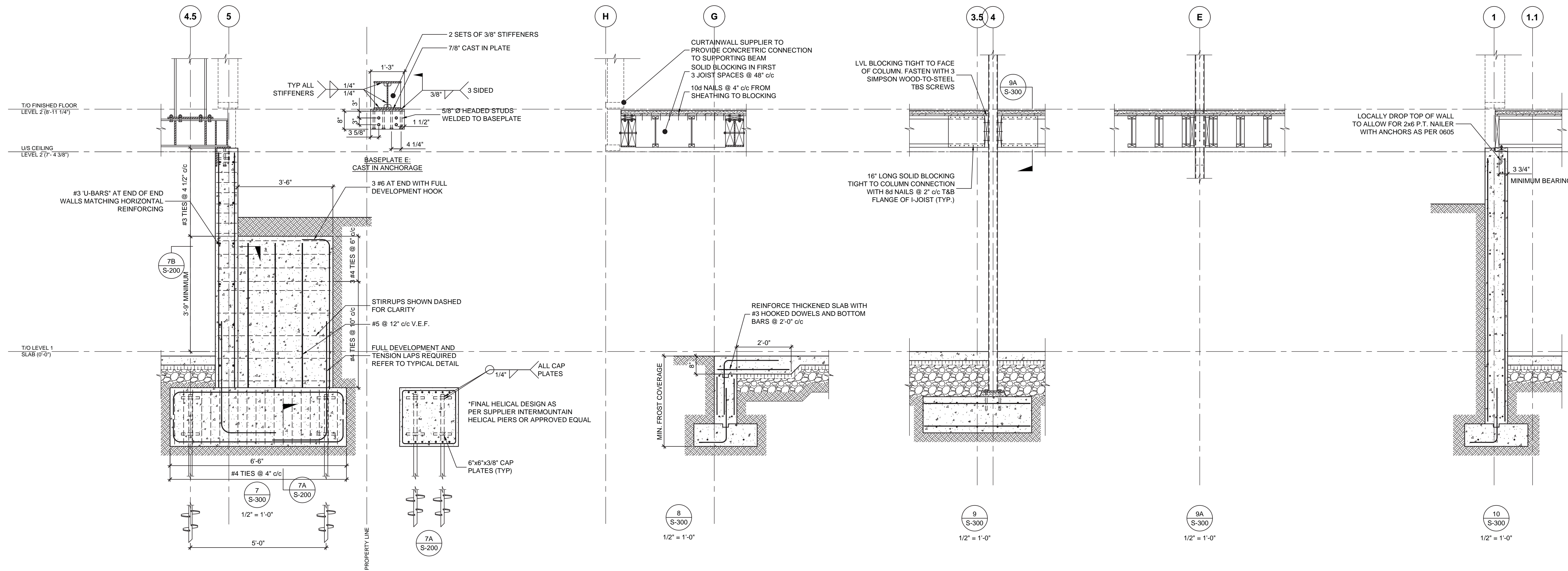
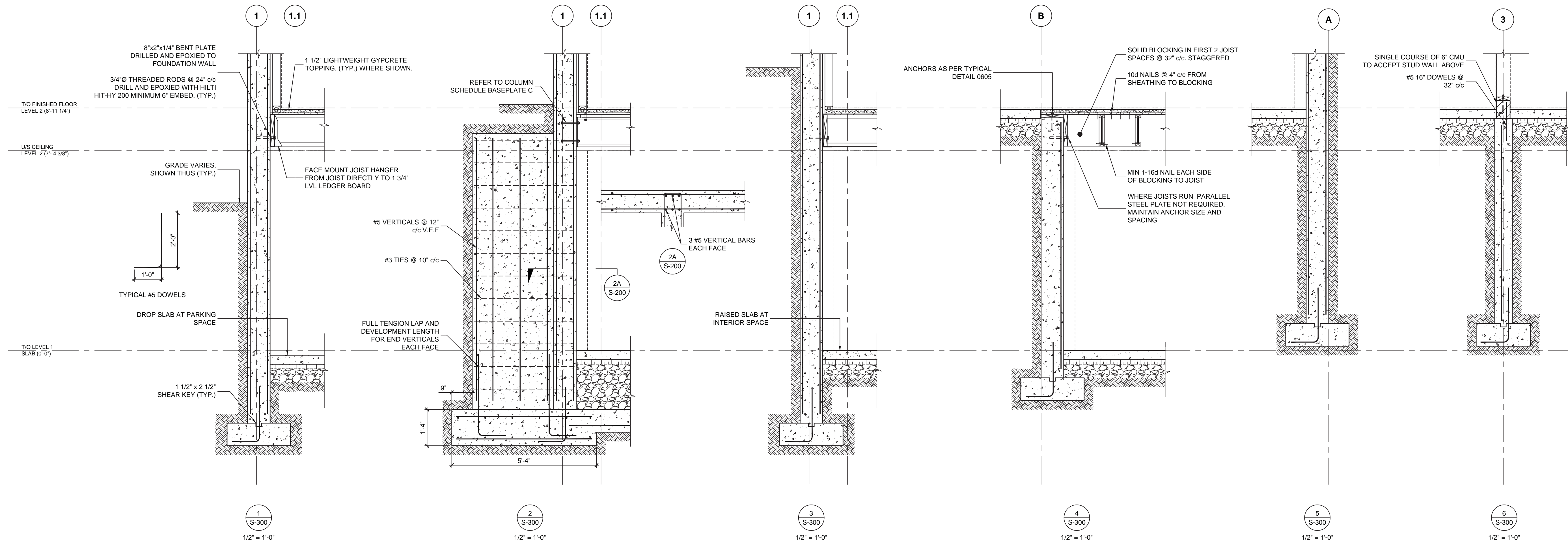
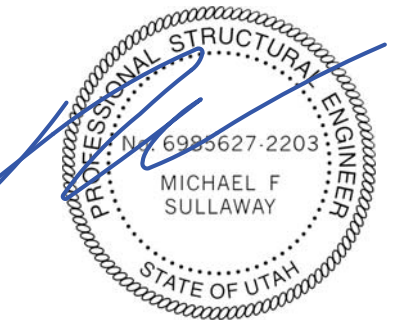
PROJECT ADDRESS:
VILLAGE HOUSE LOT 71, SUMMIT POWDER MOUNTAIN

DRAWN: AVB	CHECKED: --
SCALE: AS NOTED	PROJECT NUMBER: 170450

SHEET TITLE:
WOOD SHEARWALL ELEVATIONS

S-205

SEAL:



2018.02.01	ISSUED FOR PERMIT
2017.12.13	ISSUED FOR INTERNAL COORD.
2017.12.02	ISSUED FOR COORDINATION
2017.11.22	ISSUED C GRADE COSTING
2017.11.07	INTERNAL COORDINATION

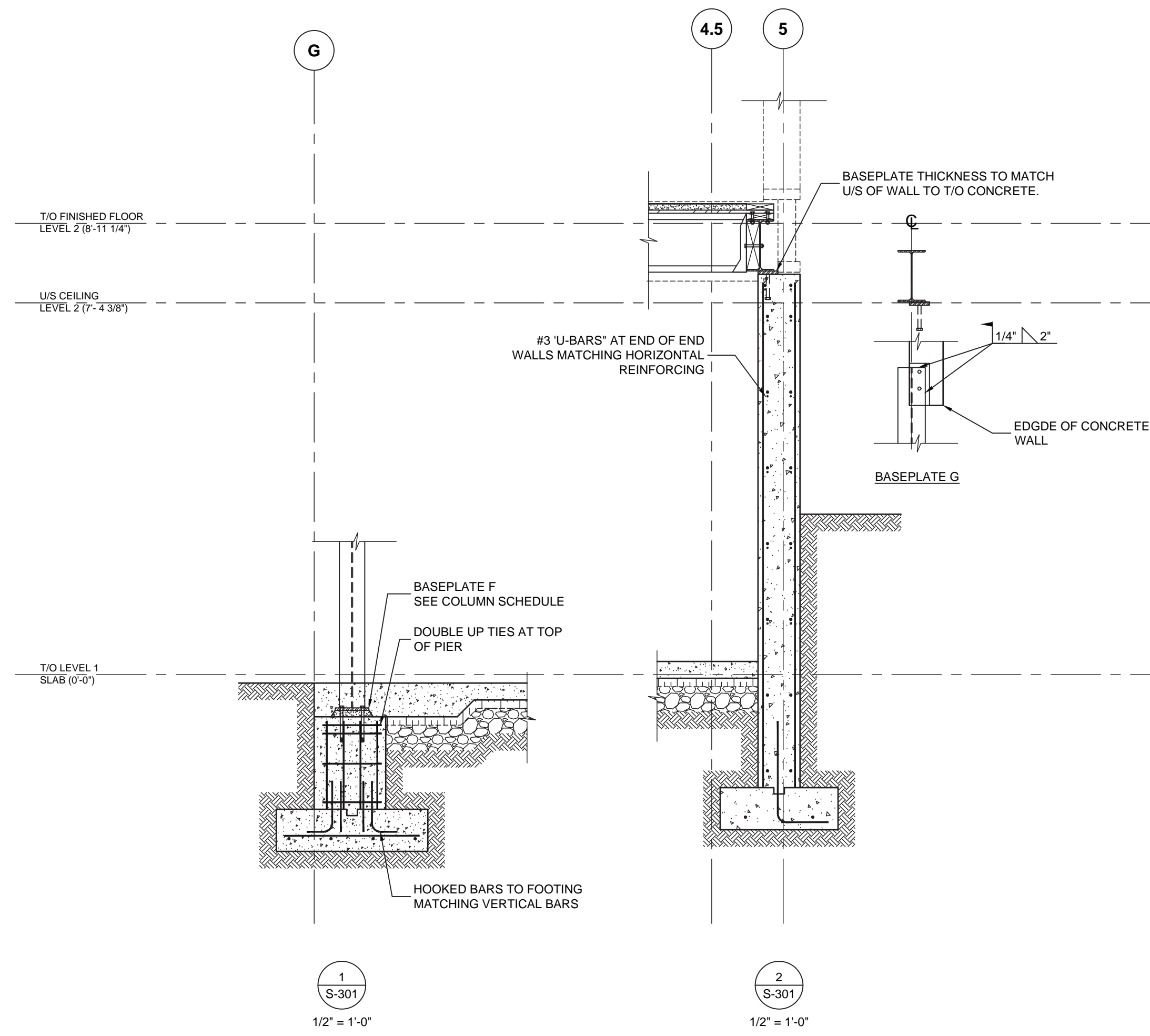
PROJECT NAME:
VILLAGE HOUSE AT LOT 71

PROJECT ADDRESS:
VILLAGE HOUSE LOT 71, SUMMIT POWDER MOUNTAIN

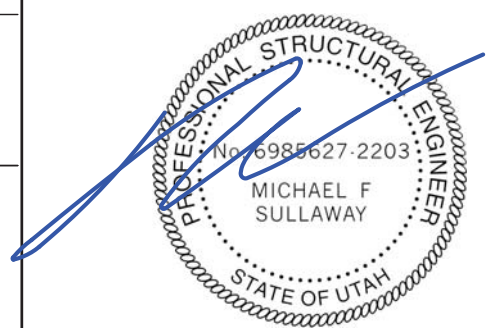
DRAWN: AVB
SCALE: AS NOTED
PROJECT NUMBER: 170450

SHEET TITLE:
FOUNDATION SECTIONS

S-300



SEAL:



2018.02.01	ISSUED FOR PERMIT
2017.12.13	ISSUED FOR INTERNAL COORD.
2017.12.02	ISSUED FOR COORDINATION
2017.11.22	ISSUED C GRADE COSTING
2017.11.07	INTERNAL COORDINATION

MARK DATE DESCRIPTION

PROJECT NAME:
VILLAGE HOUSE AT LOT 71

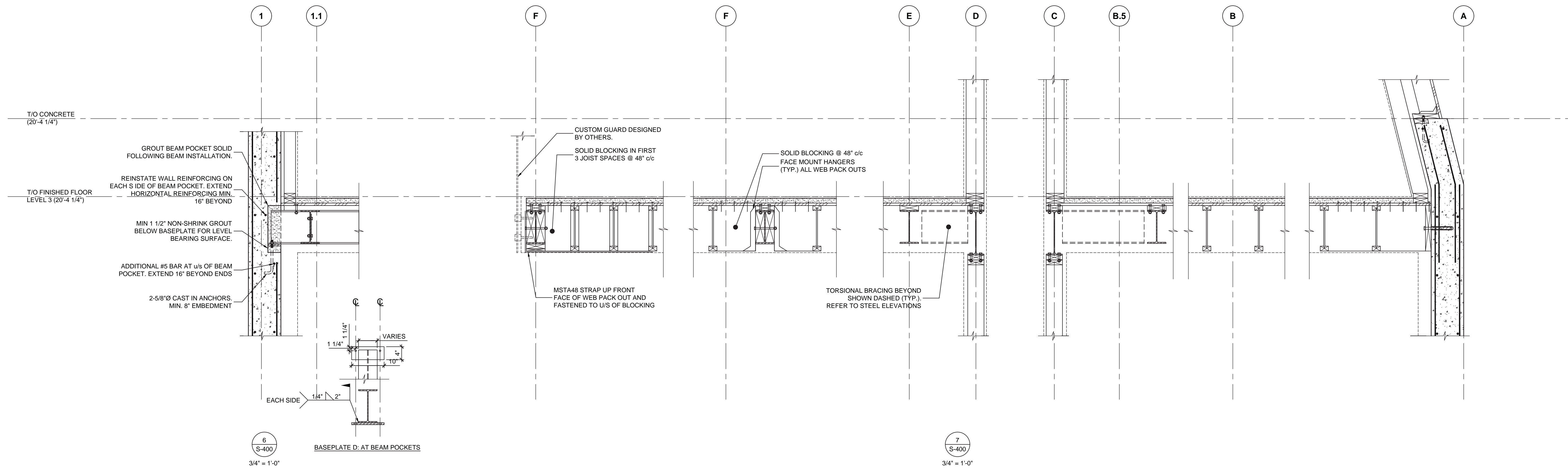
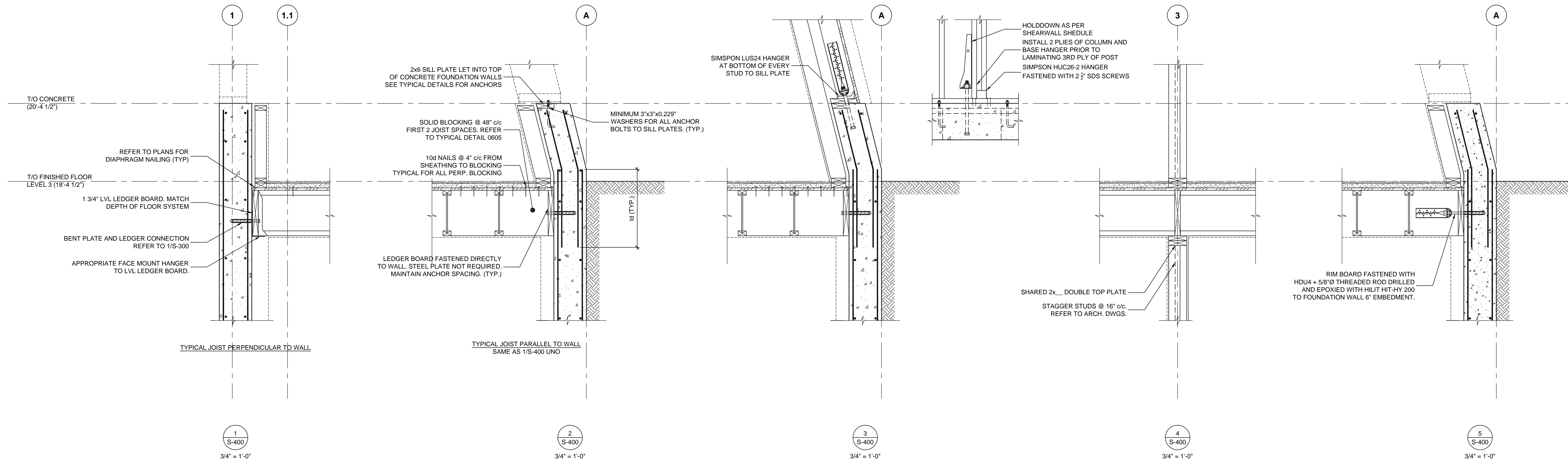
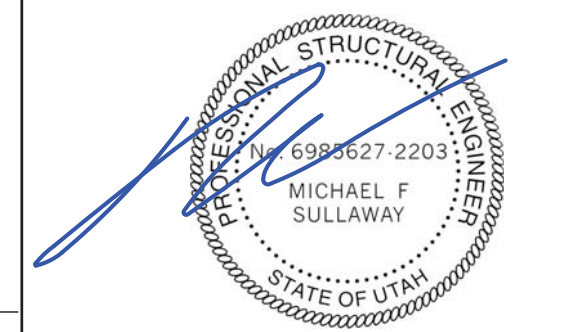
PROJECT ADDRESS:
VILLAGE HOUSE LOT 71, SUMMIT POWDER MOUNTAIN

DRAWN: AVB	CHECKED: --
SCALE: AS NOTED	PROJECT NUMBER: 170450

SHEET TITLE:
FOUNDATION SECTIONS CONT'D

S-301

SEAL:



2018.02.01	ISSUED FOR PERMIT	
2017.12.13	ISSUED FOR INTERNAL COORD.	
2017.12.02	ISSUED FOR COORDINATION	
2017.11.22	ISSUED C GRADE COSTING	
2017.11.07	INTERNAL COORDINATION	
MARK	DATE	DESCRIPTION

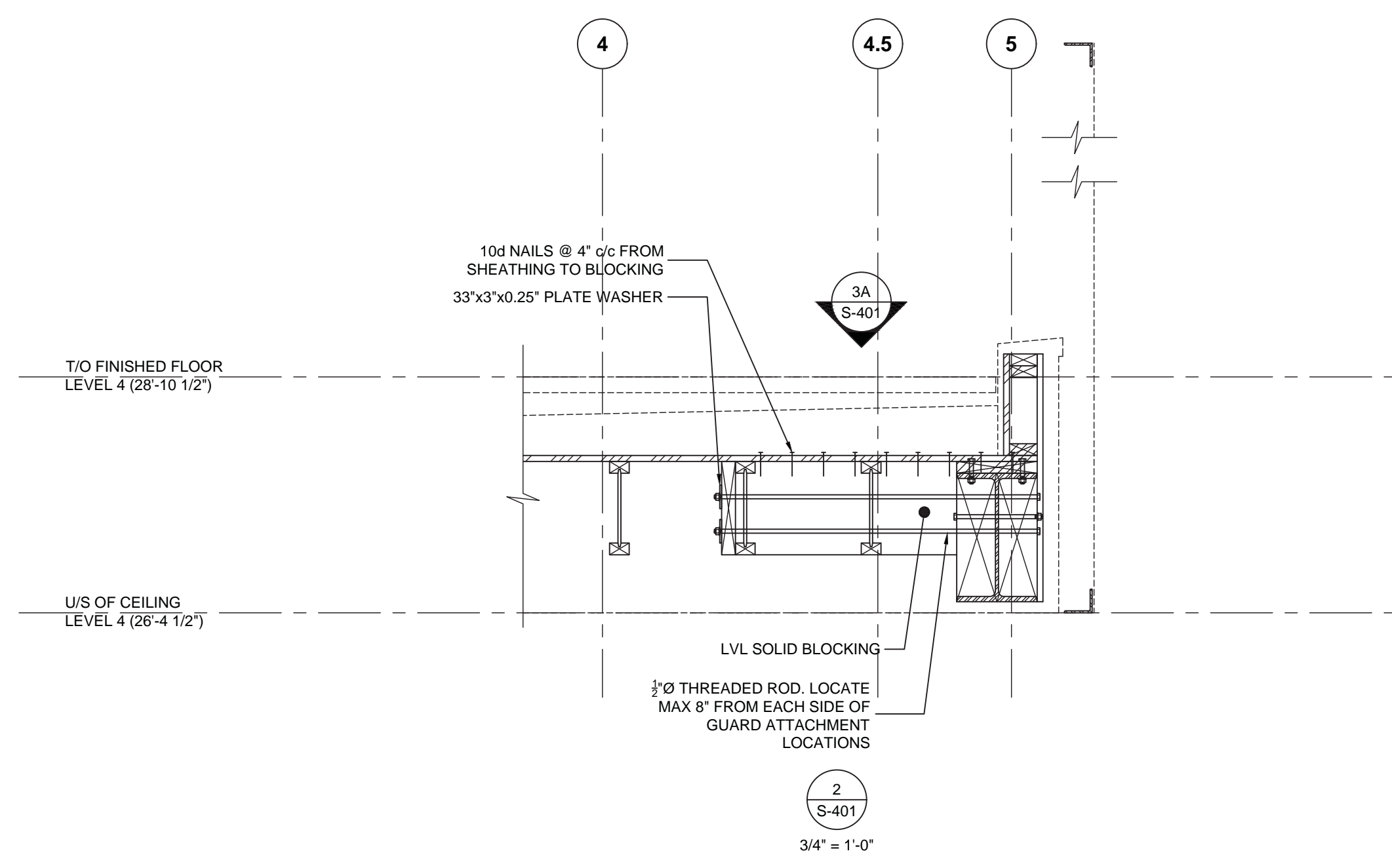
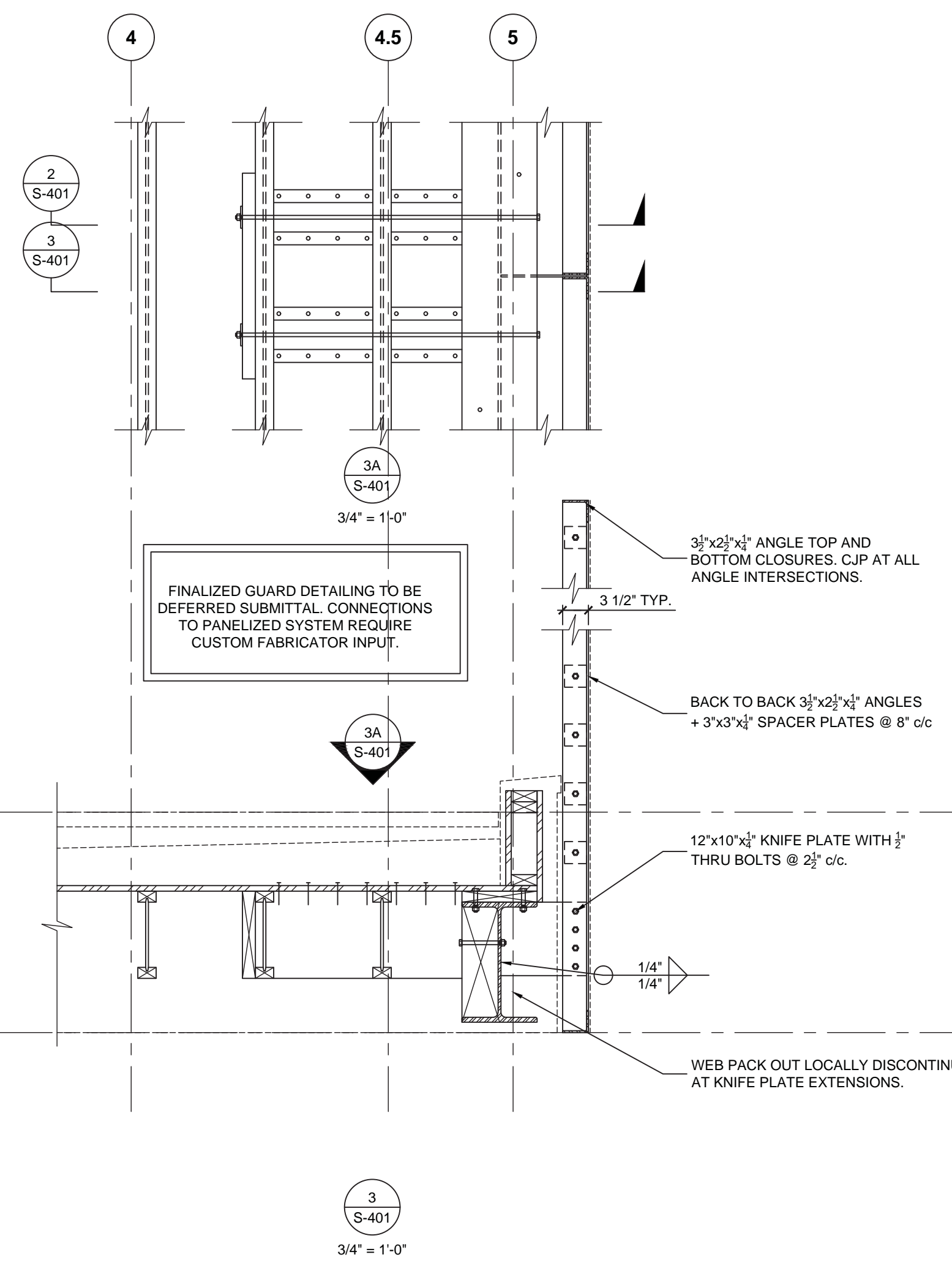
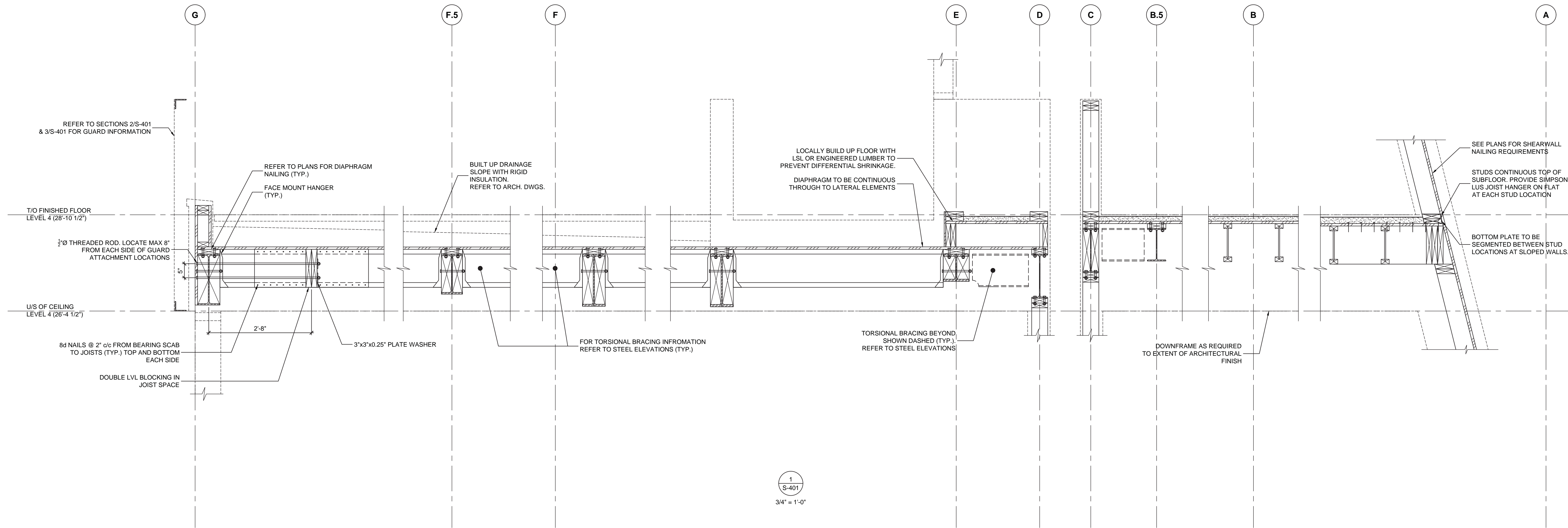
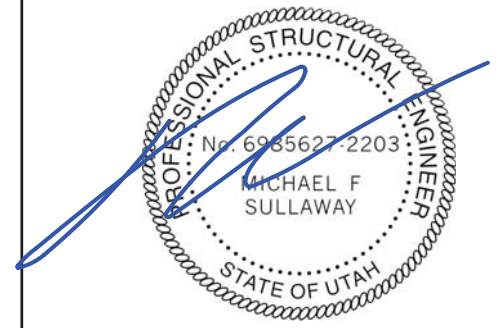
PROJECT NAME:
VILLAGE HOUSE AT LOT 71

PROJECT ADDRESS:
VILLAGE HOUSE LOT 71, SUMMIT POWDER MOUNTAIN

DRAWN: AVB	CHECKED: --
SCALE: AS NOTED	PROJECT NUMBER: 170450

SHEET TITLE:
FRAMING SECTIONS

SEAL:



2018.02.01	ISSUED FOR PERMIT
2017.12.13	ISSUED FOR INTERNAL COORD.
2017.12.02	ISSUED FOR COORDINATION
2017.11.22	ISSUED C GRADE COSTING
2017.11.07	INTERNAL COORDINATION

PROJECT NAME:
VILLAGE HOUSE AT LOT 71

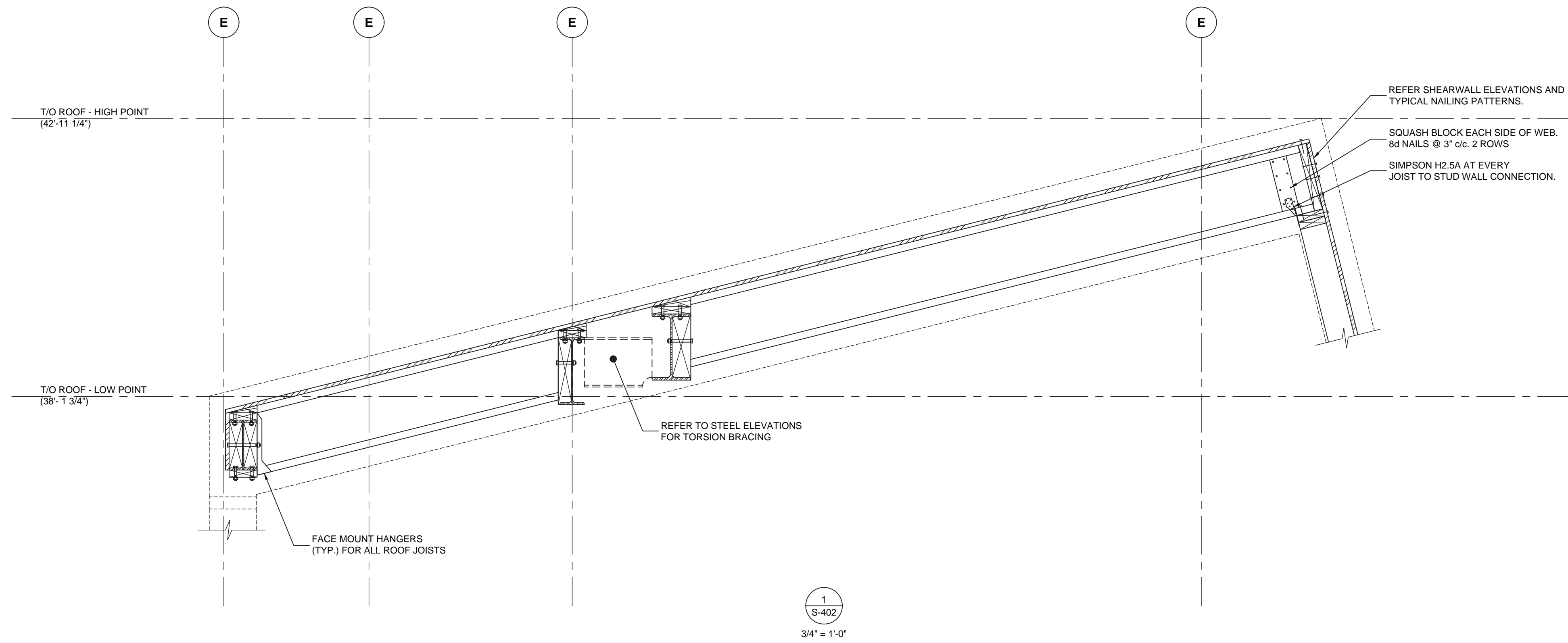
PROJECT ADDRESS:
VILLAGE HOUSE LOT 71, SUMMIT POWDER MOUNTAIN

DRAWN: AVB
SCALE: AS NOTED

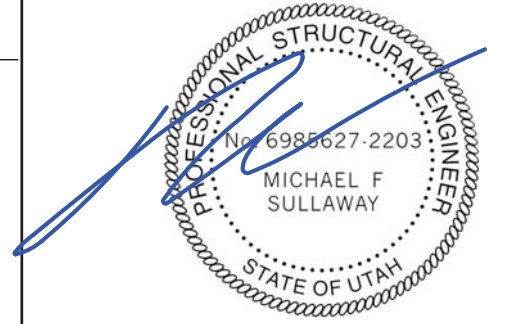
CHECKED: --
PROJECT NUMBER: 170450

SHEET TITLE:
FRAMING SECTIONS CONT'D

S-401



SEAL:



MARK	DATE	DESCRIPTION
	2018.02.01	ISSUED FOR PERMIT
	2017.12.13	ISSUED FOR INTERNAL COORD.
	2017.12.02	ISSUED FOR COORDINATION
	2017.11.22	ISSUED C GRADE COSTING
	2017.11.07	INTERNAL COORDINATION

PROJECT NAME:
VILLAGE HOUSE AT LOT 71

PROJECT ADDRESS:
VILLAGE HOUSE LOT 71, SUMMIT POWDER MOUNTAIN

DRAWN: AVB	CHECKED: --
SCALE: AS NOTED	PROJECT NUMBER: 170450

SHEET TITLE:
FRAMING SECTIONS CONT'D

S-402