

Date: 3/14/2012



Planning Commission Land Use Permit

Page 1 of 2

Printed: 3/14/2012

Permit Number: LUP7-2012

Applicant

Name: Val J and Jacki D Sanders

Address: PO Box 106

Phone: 801-627-2680

Owner

Name: Val J and Jacki D Sanders

Address: PO Box 106

Phone: 801-627-2680

Parcel

Parcel Number: 153160002

Total Parcel Area:

Address: 3071 S 3500 W

Zoning:

(*If Zoned S-1, See Specific Height Requirements)

****See Diagram on Back Side for Setbacks**

Section:

Township:

Range:

Subdivision:

Lot(s):

Proposed Structure: New Outbuilding

Structure Area Used: 9450

Is Structure > 1,000 Sq. Ft.?

*If True, Need Certif. Statement

of Dwelling Units: 1

of Accessory Bldgs: 1

Off-Street Parking Reqd:



Permit Checklist:

Public by/Right of Use Road?

> 200 ft. from Paved Road?

No

< 4218 ft. above Sea Level?

No

Wetlands/Flood Zone?

No

Culvert Required?

No

If Yes, Culvert Size:

***Any Work in the Right of Way requires an Excavation Permit**

Additional Frontage Reqd.?

OR Special Exception?

Case #

Meet Zone Area & Frontage?

True

Hillside Review Reqd.? No

Case #

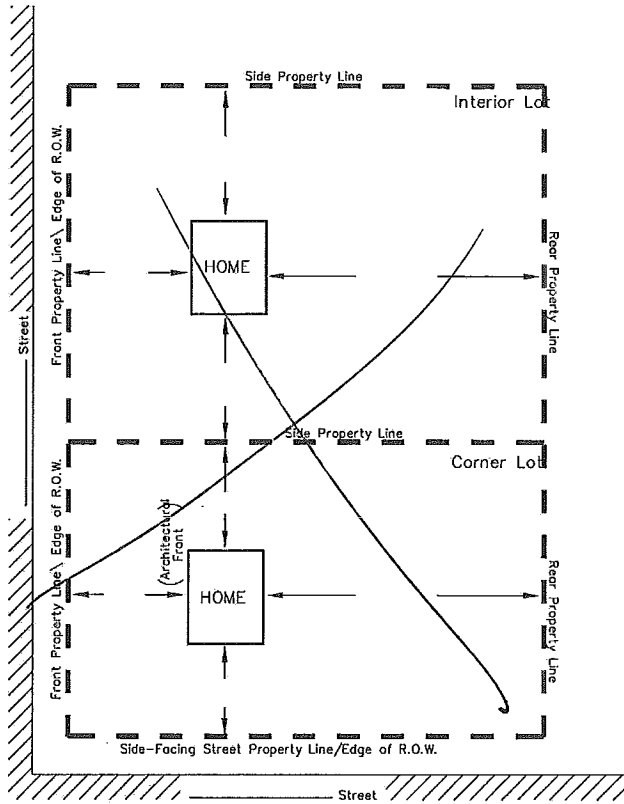
Culinary Water District:

Waste Water System:

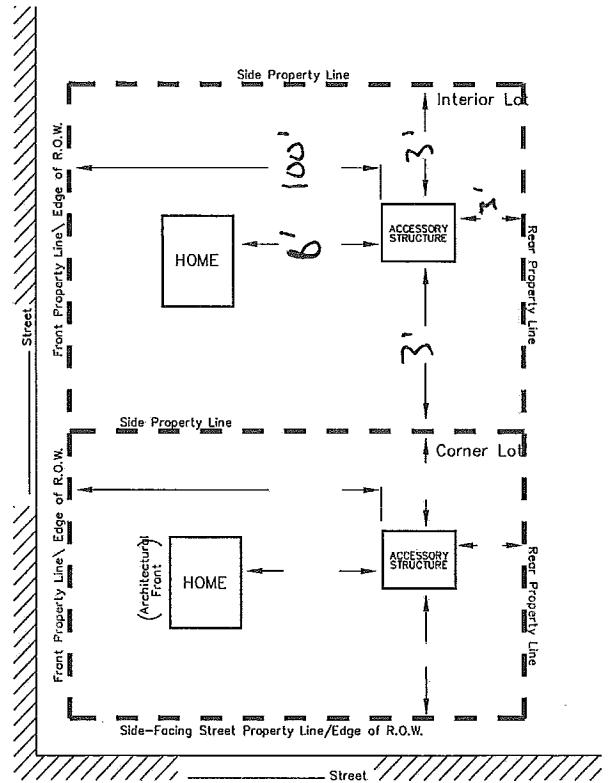
Comments: See DR 2012-02 (<https://miradi.co.weber.ut.us/projects/view/227>) and Recorder's Entry # 2566642. Not to be used for commercial purposes.

Structure Setback Graphic:

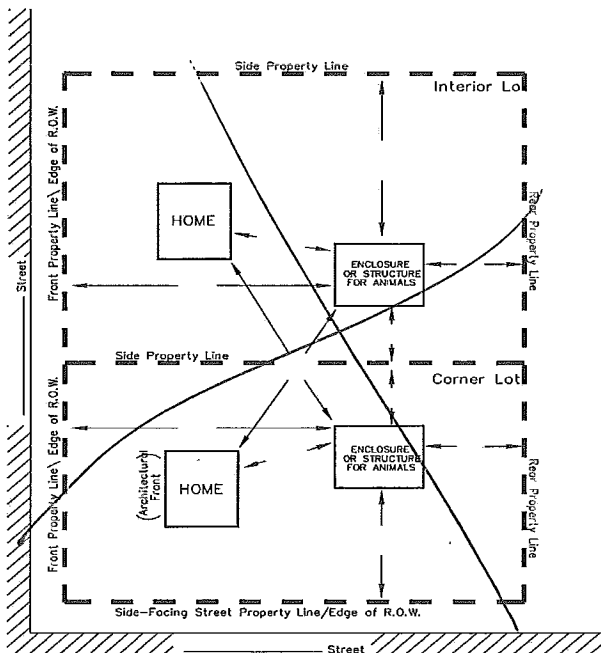
Storage Shed, DetachedGarage,etc



MINIMUM YARD SETBACKS
New Dwelling, Addition, Etc.



MINIMUM YARD SETBACKS
Storage Shed, Detached Garage, Etc.



MINIMUM YARD SETBACKS
Barn, Corral, or Stable

NOTICE FOR APPLICANT (Please Read Before Signing)

Proposals for the installation of an individual water supply and for a sanitary waste disposal system (septic tank) for any structure designed for human occupation must be approved by the Weber County Health Department prior to installation.

[Signature] 3/14/12
 Planning Dept. Signature of Approval Date

This permit becomes null and void if use or construction authorized has not commenced within 180 days or if there is a zone change affecting this property. I hereby certify that I have read and examined this application and know the same to be true and correct. All provisions of laws and ordinances governing this land use will be complied with whether specified herein or not. I make this statement under penalty of perjury. I hereby agree to make the requirements as specified on this permit issued to the owner of land as signed below.

 Contractor/Owner Signature of Approval Date