

Jessica Berna
22-022-0137

Layne & Joann Christensen
22-071-0004

Conilyn P. Judge
22-071-0002

Elizabeth M. & Bradley T. Wilson
22-022-0093

NORDIC VALLEY DRIVE

(A)
Δ = 8°36'47"
R = 975.78'
L = 146.69'
S 78°47'24\"/>

(N 74°29'00\"/>

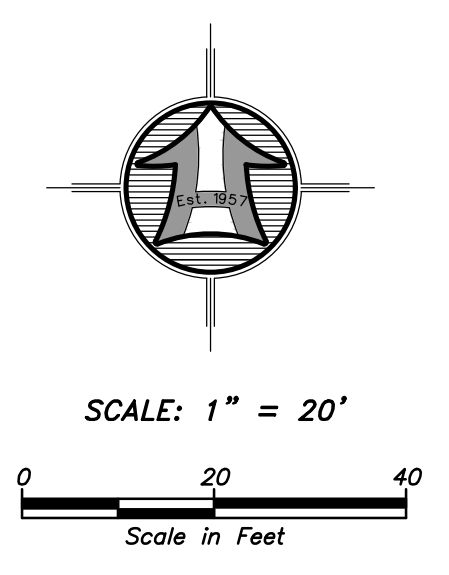
(S 0°33'00\"/>

(S 2°43'09\"/>

(S 73°16'33\"/>

LEGEND

- Subject Property Line
- - - Interior Lot Lines
- Adjoining Property Line
- - - Previous Property Line
- Centerline
- - - Public Utility Easement (PUE)
- - - Ditch
- - - Field Separation Line
- - - Fence Line (Wire)
- - - Fence Line (wood or Vinyl)
- Street Monument
- Found rebar set by others
- Set 5/8"x24" Rebar With Cap
- ◆ Section Corner



Engineer's Notice To Contractors
The existence and location of any underground utility pipes or structures shown on these plans were obtained from available information provided by others. The locations shown are approximate and shall be confirmed in the field by the contractor, so that any necessary adjustment can be made in alignment and/or grade of the proposed improvement. The contractor is required to contact the utility companies and take due precautionary measure to protect any utility lines shown, and any other lines obtained by the contractors research, and others not of record or not shown on these plans.

NOTICE!
EXISTING UTILITIES ARE SHOWN ON PLANS FOR THE CONVENIENCE OF THE CONTRACTOR ONLY. THE CONTRACTOR IS RESPONSIBLE FOR THE PROTECTION OF ALL UTILITIES. THE ENGINEER BEARS NO RESPONSIBILITY FOR UTILITIES NOT SHOWN OR SHOWN INCORRECTLY.

Call Djs BEFORE YOU

1-800-662-4111
UNDERGROUND SERVICE.

Site Plan for
Bill Rules
4033 Nordic Valley Drive
Liberty, UT

A Part of the Southwest Quarter of Section 28
Township 7 North, Range 1 East, S.L.B.&M.

Drawn By: MTH Date: 10/16/17
Designed By:
Checked By:
Approved By:
Scale: 1" = 20'
Drawing File: 17-3-166/16
JOB NUMBER: 17-3-166

HANSEN & ASSOCIATES, INC.
Consulting Engineers and Land Surveyors
538 North Main Street, Brigham, Utah 84302
Visit us at www.haes.net
Brigham City, Ogden, Logan
(435) 723-3491 (801) 399-4905 (435) 752-8272
Celebrating 60 Years of Business

No.	Date	By	Revision

Sheet
1
of
1
Sheets