

TYPICAL STREET SECTION  
Not to scale

Note: These pavement thicknesses are minimums and may be increased by County Engineer when subgrade CBR is less than 10 or when a greater depth is necessary to provide sufficient stability.

LEGEND

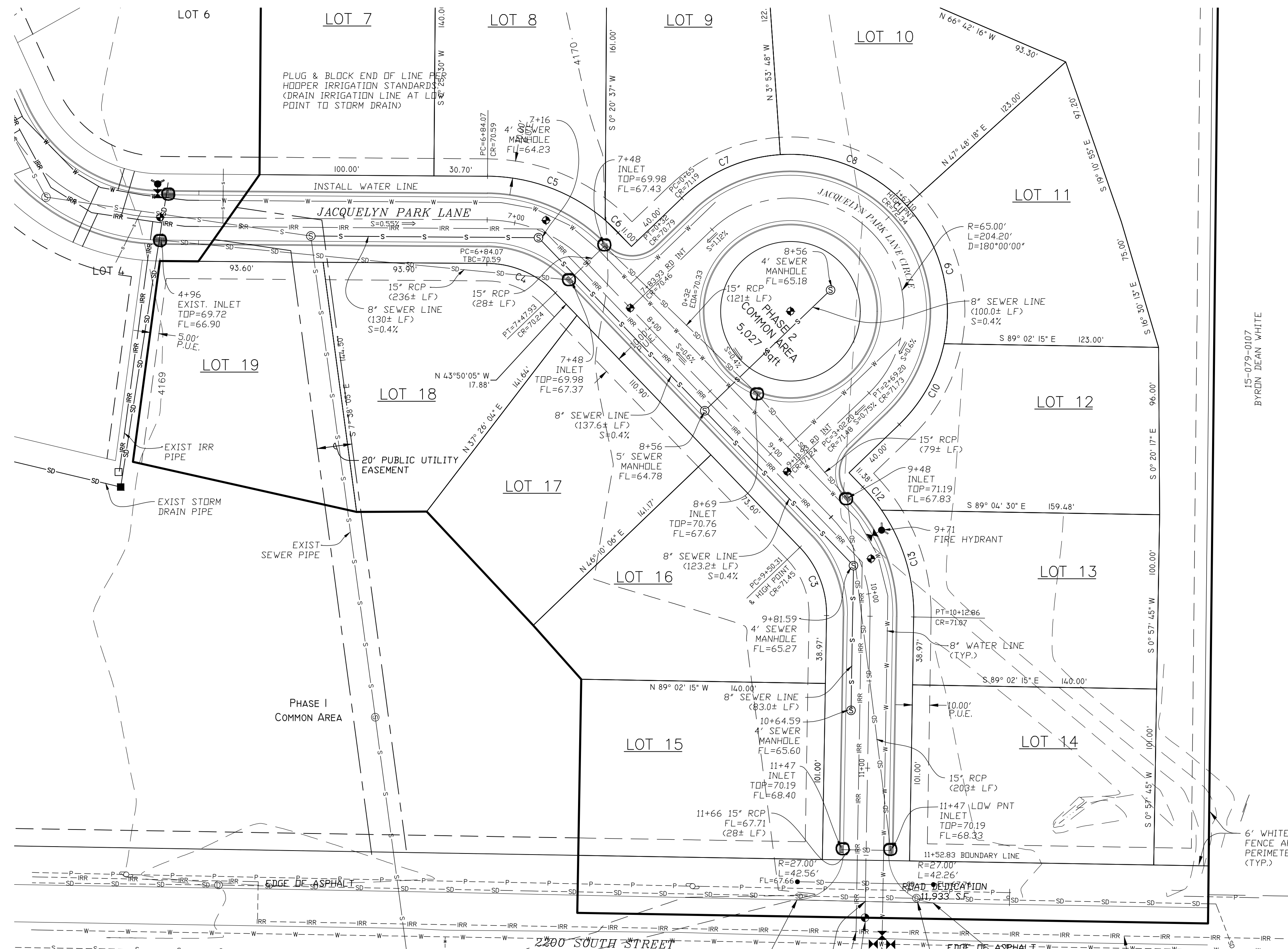
- CENTERLINE
- - - EXISTING DRAINAGE DITCH
- - - PROPOSED DRAINAGE DITCH/SWALE
- - - EXISTING FENCE LINE
- - - PROPOSED FENCE LINE
- - - EXISTING WATER LINE
- - - PROPOSED WATER LINE
- - - EXISTING SANITARY SEWER
- - - PROPOSED SANITARY SEWER
- - - EXISTING STORM DRAIN
- - - PROPOSED STORM DRAIN
- - - EXISTING IRRIGATION LINE
- - - PROPOSED IRRIGATION LINE
- - - EXISTING POWER LINE
- - - EXISTING 1' CONTOUR
- - - EXISTING 5' CONTOUR
- - - EXISTING STORM DRAIN MANHOLE
- - - PROPOSED STORM DRAIN MANHOLE
- - - EXISTING DRAINAGE FLOW
- - - PROPOSED DRAINAGE FLOW
- - - EXISTING SIGN
- - - PROPOSED SIGN
- - - EXISTING SEWER MANHOLE
- - - PROPOSED SEWER MANHOLE
- - - EXISTING FIRE HYDRANT
- - - EXISTING VALVE
- - - PROPOSED FIRE HYDRANT
- - - PROPOSED VALVE
- - - PROPOSED STREET MONUMENT
- - - EXISTING TELEPHONE PEDESTAL
- - - PROPOSED LIGHT POLE (NOT TO EXCEED 15 FT IN HEIGHT)
- - - EXISTING UTILITY POLE
- XXX.X EXISTING GROUND ELEVATION
- XXX.X PROPOSED GROUND ELEVATION
- EDA EDGE OF ASPHALT
- TA TOP OF ASPHALT
- TC TOP OF CURB
- FL FLOW LINE
- TD TOP OF DETENTION
- LF LINEAR FEET
- WESTERN RIVER BIRCH CLUMPS
- DECORATIVE GRASS
- BARBERRY SHRUB (5 GALLON)
- RED-LEAF PLUM SHRUB (5 GALLON)
- SUNRISE FORSYTHIA SHRUB (5 GALLON)
- SCOTCH PINE (2\"/>

GENERAL NOTES

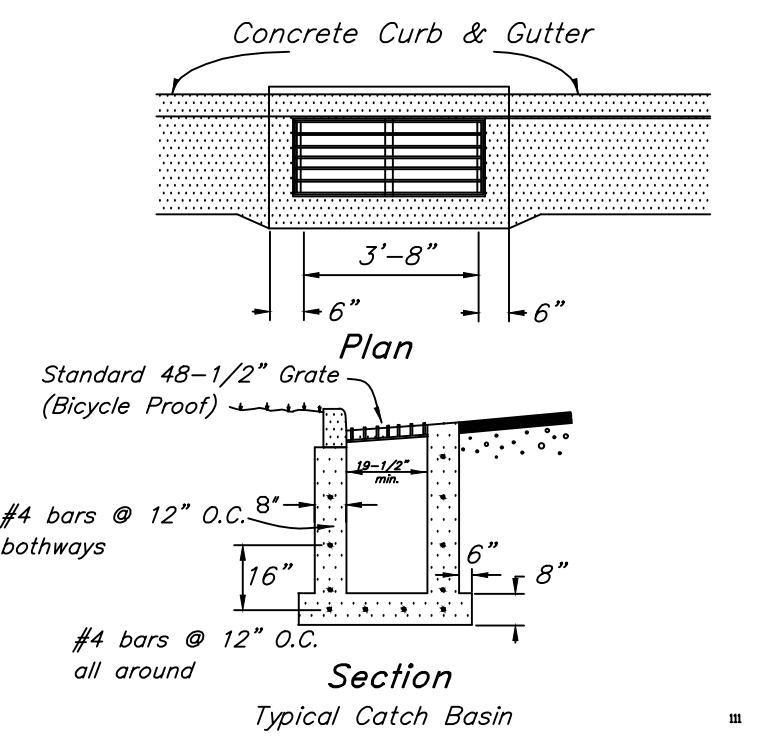
- EXISTING IMPROVEMENTS ARE SHOWN AS ACCURATELY AS POSSIBLE ACCORDING TO AVAILABLE INFORMATION. IT SHALL BE THE SOLE RESPONSIBILITY OF THE CONTRACTOR TO FIELD VERIFY THE LOCATION AND ELEVATION OF ALL UTILITIES, SHOWN OR NOT SHOWN ON THE PLANS.
- ALL CONSTRUCTION SHALL BE IN ACCORDANCE WITH WEBER COUNTY STANDARDS AND SPECIFICATIONS. ANY DEVIATION FROM THOSE STANDARDS SHALL BE APPROVED IN ADVANCE OF CONSTRUCTION BY A REPRESENTATIVE OF WEBER COUNTY.
- ALL IRRIGATION PIPES SHALL BE PVC 900, AND ALL CONSTRUCTION SHALL CONFORM TO HOOPER IRRIGATION COMPANY STANDARDS.

STORM WATER POLLUTION PREVENTION

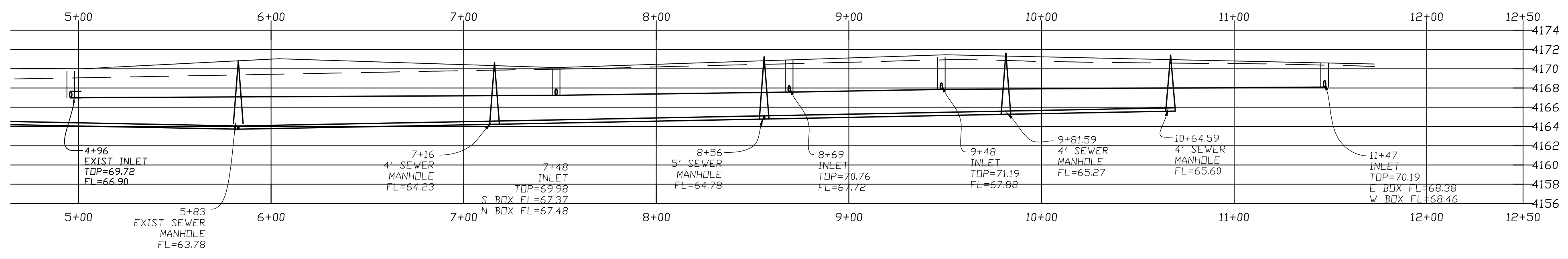
- STORM WATER POLLUTION NOTES: IN MAINTAINING THE QUALITY OF WATER WITHIN THE STATE, THE FOLLOWING PROVISIONS WILL BE REQUIRED, AS A MINIMUM, FOR ANY CONSTRUCTION, CLEARING, GRUBBING OR OTHER DISTURBANCE OF THE NATIVE GROUND. OTHER REQUIREMENTS MEETING THE POLLUTION PREVENTION PLAN MAY BE IMPOSED BY THE GOVERNING AGENCY, AS NEEDED PER SITE CONDITIONS.
- SILT FENCING WILL BE REQUIRED AT ANY DOWNGRADE LOCATION ON THE SITE WHERE IT IS DETERMINED THAT FLOWS FROM THE SITE WOULD IMPACT AN EXISTING DRAINAGE, IRRIGATION OR NEIGHBORING PROPERTY. SUCH FENCING SHALL BE CONSTRUCTED IN ACCORDANCE WITH WEBER COUNTY REQUIREMENTS, AND SHALL INCLUDE A COLLECTION SWALE ON THE UPGRADE SIDE OF THE FENCING FOR COLLECTION OF SEDIMENTS.
- A STAGING AREA FOR CONSTRUCTION EQUIPMENT AND MATERIALS WILL BE REQUIRED AT EVERY SITE. THE STAGING AREA SHALL BE SUFFICIENTLY REMOVED FROM ANY IRRIGATION, DRAINAGE OR ROADWAY AND GRADED TO PREVENT RUNOFF INTO ANY WATERWAY OR EXISTING ROAD.
- A 'CLEANUP' AREA WILL BE REQUIRED AT THE SITE, FOR REMOVAL OF MUD OR OTHER DEBRIS THAT ACCUMULATES ON CONSTRUCTION EQUIPMENT PRIOR TO LEAVING THE SITE. THE CLEANUP AREA SHALL BE GRADED TO PREVENT ANY CONTAMINATION TO ADJACENT PROPERTIES, STREETS OR WATERWAYS BY SILT, MUD OR OTHER POLLUTANTS.
- A FILTERING METHOD (STRAW BALES, FILTERING FABRIC OR AN APPROVED EQUAL) WILL BE REQUIRED IN ANY DRAINAGES THAT MAY BE IMPACTED BY THE CONSTRUCTION. THE FILTERING WILL BE INSTALLED TO INTERCEPT THE FLOWS AWAY FROM THE SITE, AND IN THE VICINITY OF THE SITE WHERE IT IS DETERMINED THAT THE CONSTRUCTION ON THE SITE WOULD DAMAGE OR DEGRADE THE QUALITY OF WATER FLOWS.



15-079-007  
BYRON DEAN WHITE



JACQUELYN PARK LANE



**Landmark Surveying, Inc.**  
A Complete Land Surveying Service  
www.LandmarkSurveyingUtah.com  
4646 South 3500 West - #A-3  
West Haven, UT 84401  
801-731-4075

**CLIENT: Craig Standing**  
Address: XX  
Phone: 801-540-7989

JACQUELYN ESTATES CLUSTER SUBDIVISION PH 2  
N.W. 1/4 OF SECTION 29, T.6N., R.2W., S.L.B.&M.  
WEBER COUNTY, UTAH

DRAWN BY: TDK  
CHECKED BY: TDK  
DATE: 8/11/17  
FILE: 3010 pbs.2  
SHEET

1 of 2