

JOIST HANGER SCHEDULE								
MEMBER SIZE	TOP FLANGE HANGER				FACE MOUNT HANGER			
	PERPENDICULAR CONDITION		SKEWED CONDITION		PERPENDICULAR CONDITION		SKEWED CONDITION	
	TYPE	NAILING REQUIREMENTS	TYPE	NAILING REQUIREMENTS	TYPE	NAILING REQUIREMENTS	TYPE	NAILING REQUIREMENTS
2x8	N/A	N/A	N/A	N/A	LB28	(4)16d FACE (2)10d x 1-1/2 JOIST	N/A	N/A
6x8	N/A	N/A	N/A	N/A	HUC68	(6)16d FACE (4)16d JOIST	N/A	N/A
2x10 @ ROOF EYEBROW	N/A	N/A	N/A	N/A	LSSU210	(10)10d FACE (7)10d x 1-1/2 JOIST	LSSU210	(9)10d FACE (7)10d x 1-1/2 JOIST
3x10 @ ROOF EYEBROW	N/A	N/A	N/A	N/A	LSSUH310	(18)16d FACE (12)10d x 1-1/2 JOIST	LSSUH310	(14)16d FACE (12)10d x 1-1/2 JOIST
(4)2x10	N/A	N/A	N/A	N/A	HUC88	(10)16d FACE (4)16d JOIST	N/A	N/A
4x10	HU410TF	(14)16d TOP (6)10d JOIST	HU410TF	(14)16d TOP (6)10d JOIST	N/A	N/A	N/A	N/A
6x8	HU68TF	(12)16d TOP (4)10d JOIST	N/A	N/A	HUC68 @ POST	(10)16d x 2-1/2 FACE (4)10d JOIST	N/A	N/A
3 1/8x9 GLB @ RF EYEBROW	N/A	N/A	N/A	N/A	LSSU410	(18)16d FACE (12)10d x 1-1/2 JOIST	LSSU410	(14)16d FACE (12)10d x 1-1/2 JOIST
14" RED-I45	ITS1.81/14	(4)10d x 1.5" TOP (2)10d x 1.5" FACE	LBV1.81/14	(6)16d x 2.5" TOP (4)16d x 2.5" FACE (2)10d x 1.5" JOIST	MIU1.81/14	(22)16d FACE (2)10d x 1.5" JOIST	N/A	N/A
(2) 14" RED-I45	N/A	N/A	N/A	N/A	MIU3.56/14	(22)16d FACE (2)10d x 1.5" JOIST	N/A	N/A
3 1/8x13 1/2 GLB	GLT3	(10)NS4A HEADER (6)NS4A JOIST	N/A	N/A	N/A	N/A	N/A	N/A

NOTES:

- PROVIDE WEB STIFFENERS BOTH SIDES OF ALL RED-I JOISTS AT HANGERS.
- PROVIDE PERPENDICULAR OR SKEWED HANGERS AS REQUIRED BY THE CONDITIONS AT EACH SPECIFIC HANGER LOCATION. COORDINATE SKEW ANGLE REQUIRED AT EACH LOCATION WITH THE PLAN DIMENSIONS, GEOMETRY, AND JOIST LAYOUT.
- "TOP" DENOTES NAILING INTO TOP OF SUPPORTING MEMBER THRU HANGER TOP FLANGE.
- "FACE" DENOTES NAILING INTO SIDE OF SUPPORTING MEMBER THRU HANGER SIDE FLANGES.
- "JOIST" DENOTES NAILING INTO SIDES OF SUPPORTED JOIST THRU SIDES OF HANGER.
- "HEADER" DENOTES COMBINATION OF "FACE" AND "TOP" PER MANUFACTURER REQUIREMENTS.
- HANGERS INDICATED ARE TO BE BY SIMPSON STRONG-TIE. ALTERNATE HANGER MANUFACTURER'S WILL BE CONSIDERED UPON SUBMITTAL OF ALTERNATE HANGER MANUFACTURER'S LOAD AND NAILING LITERATURE, ALONG WITH A WRITTEN COMPARISON OF THE PROPOSED HANGER AND NAILING AT EACH LOCATION, AND THE RESULTING PROPOSED HANGER UPLIFT AND DOWNWARD CAPACITY AS COMPARED TO THE CAPACITY OF THE SPECIFIED HANGER AND NAILING. SUBMITTALS THAT DO NOT HAVE ALL OF THE INDICATED INFORMATION WILL BE REJECTED. ALTERNATE MANUFACTURER'S PRODUCTS SHOULD NOT BE USED PRIOR TO RECEIVING ENGINEER APPROVAL OF THE SUBMITTED ALTERNATES.
- SEE DETAIL B/SO.11 FOR TYPICAL DOUBLE JOIST CONSTRUCTION.
- PROVIDE SOLID WOOD SHIM EA. SIDE OF JOIST WHERE HANGER WIDTH IS WIDER THAN JOIST WIDTH WHERE REQUIRED.
- ALL HANGERS TO HAVE SLOPED SEATS AS REQUIRED TO MATCH JOIST SLOPE.

POST SCHEDULE		
MARK	SIZE	BASE CONNECTION
P1	4x4 D.FIR #1	OPTION 1: (4)16d FACE NAILS THRU SILL PLATE (PRIOR TO ERECTING WALL). OPTION 2: SIMPSON "A34" EACH SIDE OF POST. OPTION 3: (2)16d TOENAILS TO SILL PLATE EA. SIDE OF POST.
P2	6x8 D.FIR #1	OPTION 1: (4)16d FACE NAILS THRU SILL PLATE (PRIOR TO ERECTING WALL). OPTION 2: SIMPSON "A34" EACH SIDE OF POST. OPTION 3: (2)16d TOENAILS TO SILL PLATE EA. SIDE OF POST.
P3	8x8 D.FIR #1	OPTION 1: (6)16d FACE NAILS THRU SILL PLATE (PRIOR TO ERECTING WALL). OPTION 2: SIMPSON "A34" EACH SIDE OF POST. OPTION 3: (3)16d TOENAILS TO SILL PLATE EA. SIDE OF POST.
P4	BUILT-UP POST PER SHEARWALL ELEV's	SEE DETAIL 6/S2.12
P5	6x6 D.FIR #1	OPTION 1: (6)16d FACE NAILS THRU SILL PLATE (PRIOR TO ERECTING WALL). OPTION 2: SIMPSON "A34" EACH SIDE OF POST. OPTION 3: (3)16d TOENAILS TO SILL PLATE EA. SIDE OF POST.

NOTES:

- ALL POSTS CONTINUE FULL HEIGHT ABOVE LEVEL WHERE CALLED OUT. SPLICE AT FLOOR LEVELS PER ELEVATIONS AND DETAILS.
- SEE WALL ELEVATIONS FOR POSTS NOT CALLED OUT ON PLAN.
- WHERE 6x8 AND 8x8 POSTS OCCUR IN WALLS, RIP POST WIDTH TO MATCH WALL STUD WIDTH.

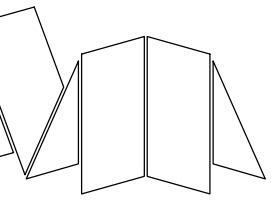
WALL FOOTING SCHEDULE			
MARK	SIZE	REINFORCING	REMARKS
WF1	1'-8" x 12" THICK	(2) #5 LONGIT. CONT.	TYPICAL U.N.O.
WF2	2'-0" x 12" THICK	(2) #5 LONGIT. CONT.	
WF3	2'-6" x 12" THICK	(3) #5 LONGIT. CONT.	
WF4	2'-6" x 12" THICK	(3) #5 LONGIT. CONT. #5 @ 14" O.C. TRANS.	
WF5	3'-0" x 12" THICK	(3) #5 LONGIT. CONT. #5 @ 14" O.C. TRANS.	
WF6	3'-2" x 12" THICK	(3) #5 LONGIT. CONT. #5 @ 14" O.C. TRANS.	
WF7	5'-0" x 12" THICK	(5) #5 LONGIT. CONT. #5 @ 10" O.C. TRANS.	

4

SHEARWALL SCHEDULE		
MARK	SHEATHING & ATTACHMENT	TYPICAL SILL PLATE ATTACHMENT
SW1	1/2" NOMINAL RATED SHEATHING PER G.S.N. ONE SIDE OF WALL WITH 8d NAILS @ 6" O.C. @ PANEL EDGES AND 8d NAILS @ 12" O.C. @ INTERMEDIATE SUPPORTS.	1/2" J-BOLT ANCHORS WITH 1-1/2" HOOK AND MIN. 6" EMBEDMENT, SPACED AT 32" O.C. MAX.
SW2	5/8" NOMINAL RATED SHEATHING PER G.S.N. AT OUTSIDE FACE OF WALL WITH 10d NAILS @ 4" O.C. @ PANEL EDGES AND 10d NAILS @ 12" O.C. @ INTERMEDIATE SUPPORTS.	1/2" J-BOLT ANCHORS WITH 1-1/2" HOOK AND MIN. 6" EMBEDMENT, SPACED AT 16" O.C. MAX.
SW3	5/8" NOMINAL RATED SHEATHING PER G.S.N. BOTH SIDES OF WALL WITH 10d NAILS @ 6" O.C. @ PANEL EDGES AND 10d NAILS @ 12" O.C. @ INTERMEDIATE SUPPORTS.	1/2" J-BOLT ANCHORS WITH 1-1/2" HOOK AND MIN. 6" EMBEDMENT, SPACED AT 16" O.C. MAX.
SW4	5/8" NOMINAL RATED SHEATHING PER G.S.N. BOTH SIDES OF WALL WITH 10d NAILS @ 3" O.C. @ PANEL EDGES AND 10d NAILS @ 12" O.C. @ INTERMEDIATE SUPPORTS.	SEE SHEAR WALL ELEVATIONS
SW5	5/8" NOMINAL RATED SHEATHING PER G.S.N. BOTH SIDES OF WALL WITH 10d NAILS @ 2" O.C. @ PANEL EDGES AND 10d NAILS @ 12" O.C. @ INTERMEDIATE SUPPORTS.	SEE SHEAR WALL ELEVATIONS

SHEARWALL NOTES:

- ALL INTERIOR DEMISING WALLS ARE TO HAVE SHEATHING TYPE "SW1" WITH THE SHEATHING LOCATED ON THE UNIT SIDE OF THE WALL.
- WALLS ON GRIDS "1", "4", "5", "9", "10" AND "13" ARE TO HAVE SHEATHING TYPE "SW3".
- FAR SOUTH WALLS OF ALL UNITS (APPROX. GRID "D") ARE TO HAVE SHEATHING TYPE "SW3".
- SEE WALL ELEVATIONS FOR SHEATHING REQUIREMENTS AT WALLS ON GRIDS "A" AND "C".
- EXTEND SHEATHING NOTED FOR THE FULL LENGTH OF THE WALL SHOWN ON THE PLANS.
- SHEATHING TYPE INDICATED IS TO OCCUR FULL HEIGHT FROM THE BASE OF THE WALL TO THE ROOF OR FLOOR LEVEL AT THE TOP OF THE WALL.
- EDGE NAIL SPACING APPLIES TO FASTENING AT SHEATHING PANEL EDGES AT ALL STUDS, TOP AND BOTTOM PLATES AND BLOCKING.
- ALL PANEL EDGES ARE TO BE BLOCKED AND NAILED AT ALL SHEAR WALLS.
- ALL STUDS, BLOCKING, AND TOP AND BOTTOM PLATES AT WALL TYPES "SW4" AND "SW5" ARE TO BE 3x MATERIAL WITH WIDTH EQUAL TO THE WALL WIDTH AT THE LOCATION NOTED. IN ADDITION, ALL NAILING AT ABUTTING PANEL EDGES SHALL BE STAGGERED.
- SEE WALL ELEVATIONS FOR SHEAR WALL SHEATHING TYPE AND EXTENT AT WALLS NOT INDICATED ON THE PLANS OR IN THESE NOTES.
- SEE ARCHITECTURAL DRAWINGS FOR SHEATHING REQUIREMENTS AT ALL WALLS THAT ARE NOT NOTED AS SHEAR WALLS OR OTHERWISE INDICATED IN THIS SCHEDULE.
- SEE GENERAL STRUCTURAL NOTES FOR ADDITIONAL REQUIREMENTS.



architect
STUDIO MA
130 N Central Avenue No.300
Phoenix, Arizona 85004
T 602 251 3800

sma project no.
16-101

sma project name
POWDERCAT

COPYRIGHT 2017 STUDIO MA
This document is an instrument of service and shall remain the property of the Architect, who shall retain all common law, statutory and other reserved rights, including the copyright thereto.

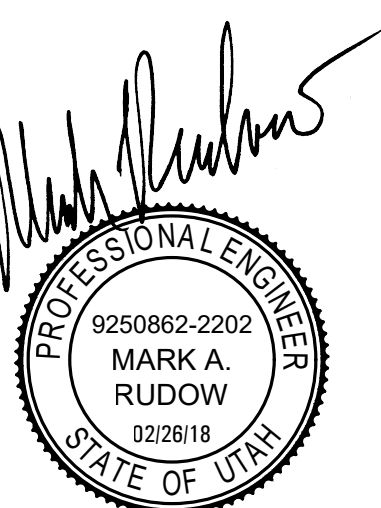
OWNER
brr powdercat th development, llc
11180 sunrise valley drive, ste 300
reston, va 20191
t (703) 289-2125

CIVIL
talisman civil consultants
5217 south state st, ste 200
murray, ut 84107
t (801) 743-1308

STRUCTURAL
rudow+berry, inc.
4032 n miller rd, a100
scottsdale, az 85255
t (480) 946-8171

MECH/PLBG/ELEC
peterson associates consulting engineers, inc.
7201 n dreamy draw dr, ste 200
phoenix, az 85020
t (602) 388-1732

LANDSCAPE
langvardt design group
328 W 200 S
salt lake city, ut 84101
t (801) 583-1295

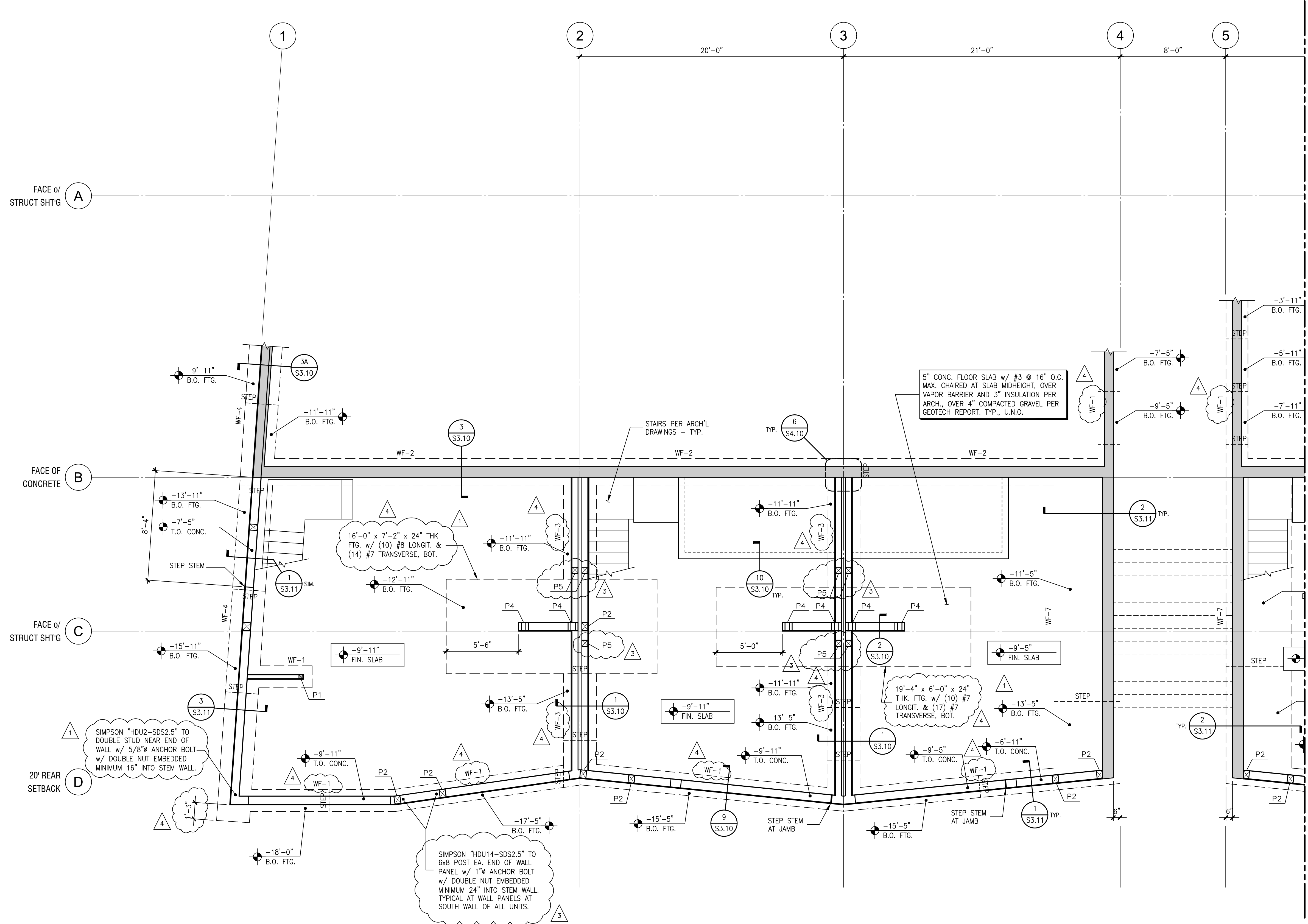


s0.12
SCHEDULES

NO SCALE
scale

4

PERMIT SET
phase / rev
2017.06.01
date



- FOUNDATION PLAN NOTES:**
- SEE SHEETS S0.10 & S0.11 FOR:
 - GENERAL STRUCTURAL NOTES
 - TYPICAL EXCAVATION ADJACENT TO FOOTING
 - TYPICAL SLAB JOINT DETAILS
 - TYPICAL STEPPED FOOTING DETAIL
 - P1 - DENOTES WOOD POST MARK - SEE SCHED. ON SHEET S0.12.
 - WF1 - DENOTES WALL FOOTING MARK - SEE SCHED. ON SHEET S0.12.
 - SW1 - DENOTES SHEARWALL SHEATHING PER SCHED. ON SHEET S0.12.
 - ALL SLABS ON GRADE ARE TO BE JOINED AS SHOWN. PROVIDE (2) #4 x 4'-0" MID-HEIGHT SLAB BARS ADJACENT TO ALL DISCONTINUOUS JOINT LOCATIONS. ALL COLUMN ISOLATION JOINT CORNERS ARE TO BE INTERSECTED BY A SLAB JOINT OR REINFORCED WITH SLAB BARS PER ABOVE.
 - CONTRACTOR TO VERIFY ALL DIMENSIONS AND ELEVATIONS WITH ARCHITECTURAL DRAWINGS PRIOR TO CONSTRUCTION. SEE ARCHITECTURAL FOR ALL DIMENSIONS, SLAB SLOPES & DEPRESSIONS NOT NOTED.
 - SEE ARCH'L DRAWINGS FOR ALL DIMENSIONS NOT INDICATED.
 - FIN. FLR. DATUM: +0'-0" = 8600.5'

architect
STUDIO MA
 130 N Central Avenue No.300
 Phoenix, Arizona 85004
 T 602 251 3800

sma project no.
16-101
 sma project name
POWDERCAT

COPYRIGHT 2017 STUDIO MA
 This document is an instrument of service and shall remain the property of the Architect, who shall retain all common law, statutory and other reserved rights, including the copyright thereto.

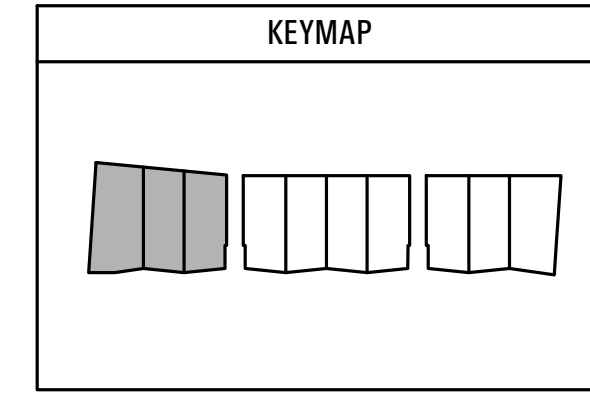
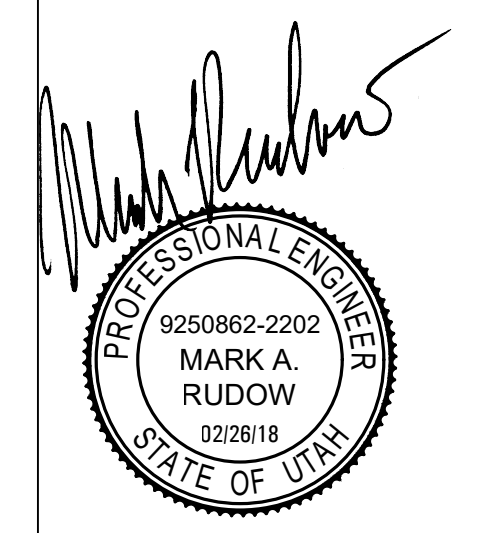
OWNER
 brr powdercat th development, llc
 11180 sunrise valley drive, ste 300
 reston, va 20191
 t (703) 289-2125

CIVIL
 talisman civil consultants
 5217 south state st, ste 200
 murray, ut 84107
 t (801) 743-1308

STRUCTURAL
 rudow+berry, inc.
 4032 n miller rd, a100
 scottsdale, az 85255
 t (480) 946-8171

MECH/PLBG/ELEC
 peterson associates consulting engineers, inc.
 7201 n dreamy draw dr, ste 200
 phoenix, az 85020
 t (602) 388-1732

LANDSCAPE
 langvardt design group
 328 W 200 S
 salt lake city, ut 84101
 t (801) 583-1295

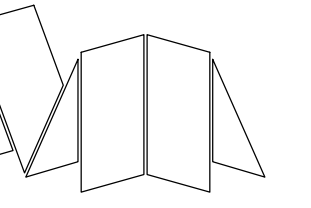


s1.01
FOUNDATION PLAN
LOWER LEVEL

1/4" = 1'-0"
 scale
 PERMIT SET
 phase / rev
 2017.06.01
 date

AutoCAD Version: 2017
 February 26, 2019, 2:21:06 PM
 XREF: XL=FOUNDATION; XR=MAIN; XT=16126

SEE SHEET S1.01 FOR TYPICAL PLAN NOTES



architect
STUDIO MA
 130 N Central Avenue No.300
 Phoenix, Arizona 85004
 T 602 251 3800

sma project no.
16-101

sma project name
POWDERCAT

COPYRIGHT 2017 STUDIO MA
 This document is an instrument of service and shall remain the property of the Architect, who shall retain all common law, statutory and other reserved rights, including the copyright thereto.

OWNER
 brr powdercat th development, llc
 11180 sunrise valley drive, ste 300
 reston, va 20191
 t (703) 289-2125

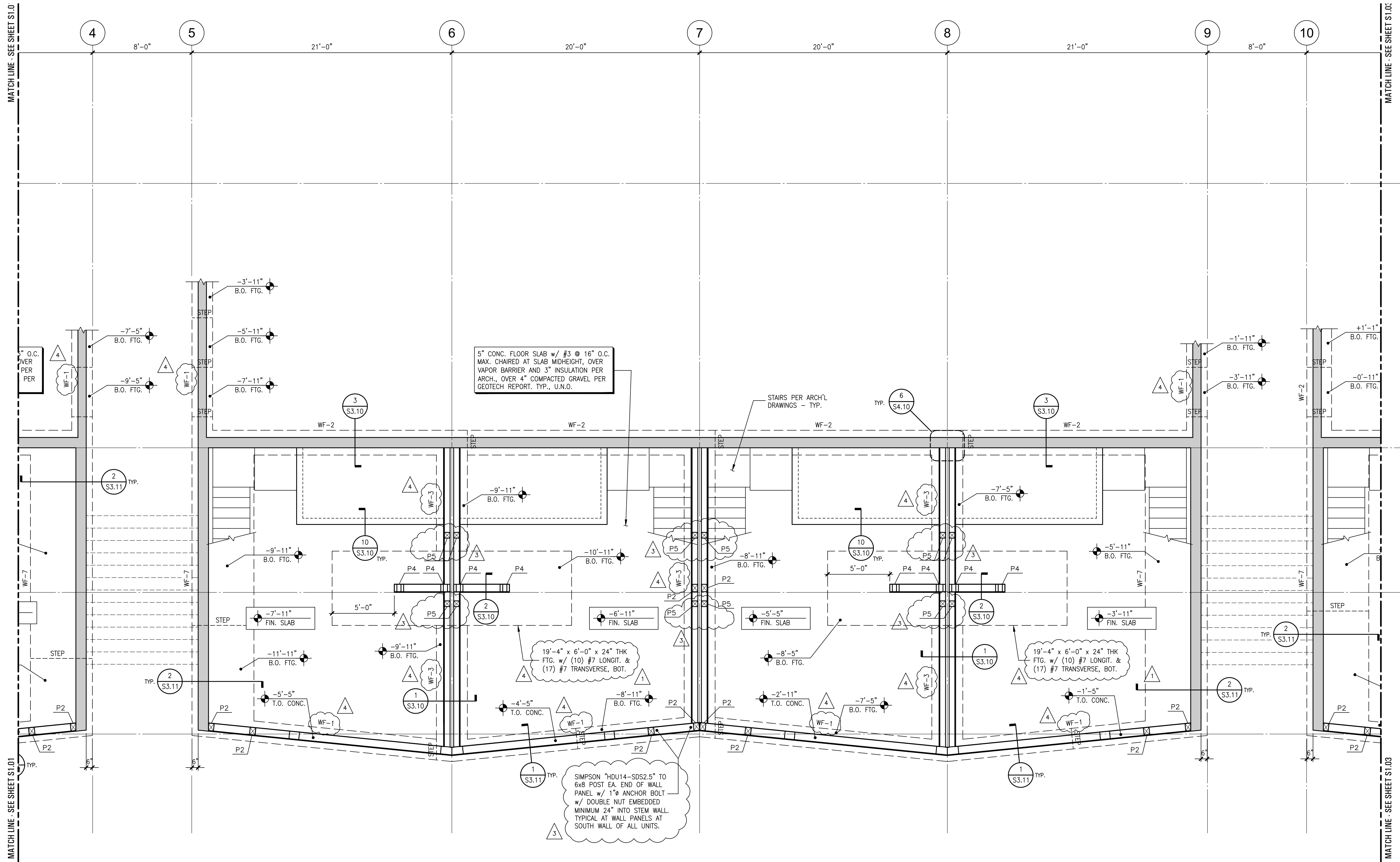
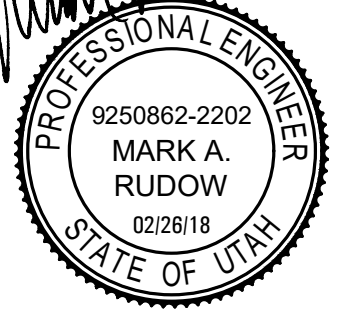
CIVIL
 talisman civil consultants
 5217 south state st, ste 200
 murray, ut 84107
 t (801) 743-1308

STRUCTURAL
 rudow+berry, inc.
 4032 n miller rd. a100
 scottsdale, az 85255
 t (480) 946-8171

MECH/PLBG/ELEC
 peterson associates consulting engineers, inc.
 7201 n dreamy draw dr, ste 200
 phoenix, az 85020
 t (602) 388-1732

LANDSCAPE
 langvardt design group
 328 W 200 S
 salt lake city, ut 84101
 t (801) 583-1295

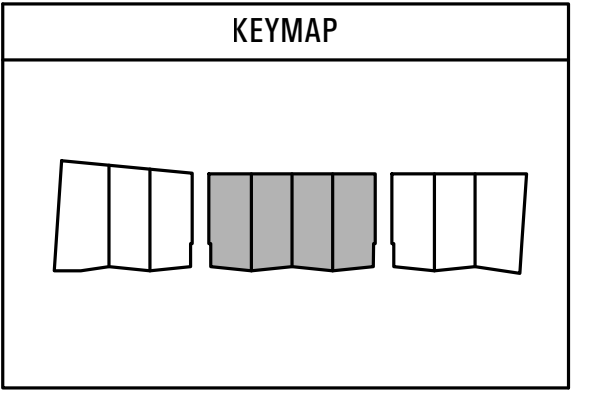
Mark A. Rudow



FACE of STRUCT SHT'G **(A)**

FACE OF CONCRETE **(B)**

FACE of STRUCT SHT'G **(C)**

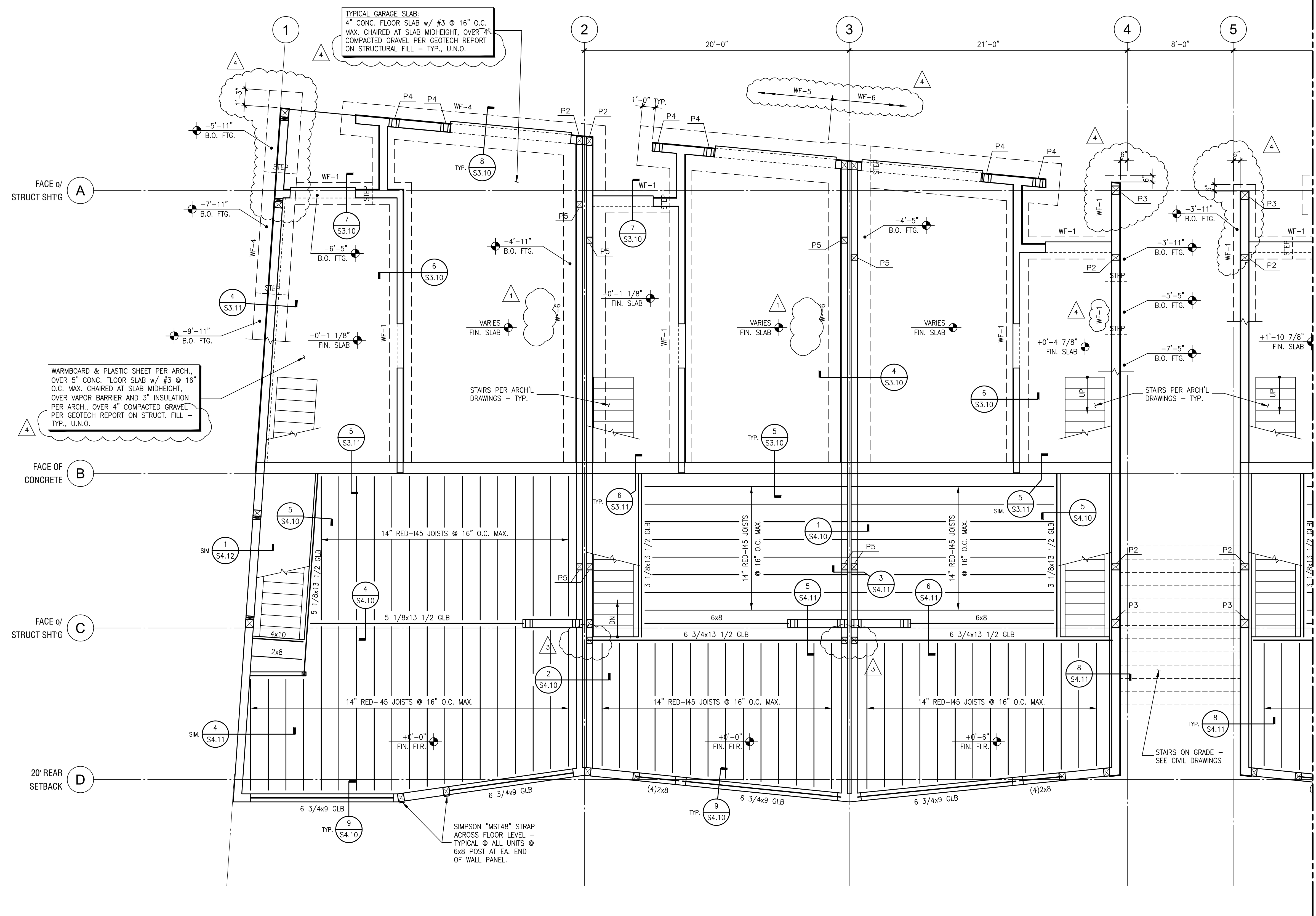


1/4" = 1'-0" scale



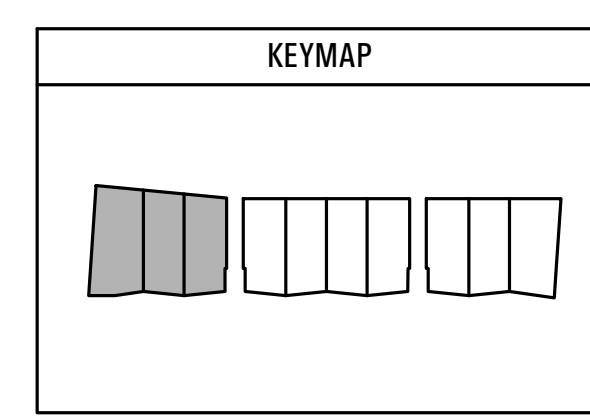
PERMIT SET
 phase / rev
 2017.06.01
 date

AutoCAD Version: 2017
 February 28, 2018, 2:29:41 PM
 XREF: XP=MAIN-16116 X1=48286



- FOUNDATION PLAN NOTES:**
- SEE SHEETS S0.10 & S0.11 FOR:
 - GENERAL STRUCTURAL NOTES
 - TYPICAL EXCAVATION ADJACENT TO FOOTING
 - TYPICAL SLAB JOINT DETAILS
 - TYPICAL STEPPED FOOTING DETAIL
 - P1 - DENOTES WOOD POST MARK - SEE SCHED. ON SHEET S0.12.
 - WF1 - DENOTES WALL FOOTING MARK - SEE SCHED. ON SHEET S0.12.
 - [SW1]** - DENOTES SHEARWALL SHEATHING PER SCHED. ON SHEET S0.12.
 - ALL SLABS ON GRADE ARE TO BE JOINED AS SHOWN. PROVIDE (2) #4 x 4'-0" MID-HEIGHT SLAB BARS ADJACENT TO ALL DISCONTINUOUS JOINT LOCATIONS. ALL COLUMN ISOLATION JOINT CORNERS ARE TO BE INTERSECTED BY A SLAB JOINT OR REINFORCED WITH SLAB BARS PER ABOVE.
 - CONTRACTOR TO VERIFY ALL DIMENSIONS AND ELEVATIONS WITH ARCHITECTURAL DRAWINGS PRIOR TO CONSTRUCTION. SEE ARCHITECTURAL FOR ALL DIMENSIONS, SLAB SLOPES & DEPRESSIONS NOT NOTED.
 - SEE ARCH'L DRAWINGS FOR ALL DIMENSIONS NOT INDICATED.
 - FIN. FLR. DATUM: +0'-0" = 8600.5'

- WOOD FLOOR FRAMING PLAN NOTES:**
- SEE SHEETS S0.10 & S0.11 FOR:
 - GENERAL STRUCTURAL NOTES
 - TYPICAL TOP PLATE SPLICE DETAIL
 - TYPICAL HEADER DETAIL
 - TYPICAL BEAM TO POST CONN.
 - TYPICAL BEAM TO BEAM CONN.
 - P1 - DENOTES WOOD POST MARK - SEE SCHED. ON SHEET S0.12.
DENOTES TYPICAL WALL STUDS @ 16" O.C. ARE TO BE DOUBLED AT FULL LENGTH OF WALL, BETWEEN THE UPPER LEVEL AND ROOF LEVEL. (DOUBLE 2x8'S AT EXTERIOR WALLS, DOUBLE 2x6'S AT INTERIOR WALLS.)
 - [DBL]** - THE UPPER LEVEL AND ROOF LEVEL. (DOUBLE 2x8'S AT EXTERIOR WALLS, DOUBLE 2x6'S AT INTERIOR WALLS.)
 - HANGING CEILING, DUCTWORK OR OTHER ITEMS FROM THE WOOD SHEATHING IS NOT ALLOWED.
 - [H]** - DENOTES WOOD HEADER PER DETAIL 7/S0.11.
 - CONTRACTOR TO VERIFY ALL DIMENSIONS AND ELEVATIONS WITH ARCHITECTURAL DRAWINGS PRIOR TO CONSTRUCTION. SEE ARCHITECTURAL FOR ALL DIMENSIONS, SLAB SLOPES & DEPRESSIONS NOT NOTED.
 - SEE ARCH'L DRAWINGS FOR ALL DIMENSIONS NOT INDICATED.
 - SEE ARCH'L FOR ALL STAIR DIMENSIONS & ELEVATIONS.
 - FIN. FLR. DATUM: +0'-0" = 8600.5'



architect
STUDIO MA
 130 N Central Avenue No.300
 Phoenix, Arizona 85004
 T 602 251 3800

sma project no.
16-101

sma project name
POWDERCAT

COPYRIGHT 2017 STUDIO MA
 This document is an instrument of service and shall remain the property of the Architect, who shall retain all common law, statutory and other reserved rights, including the copyright thereto.

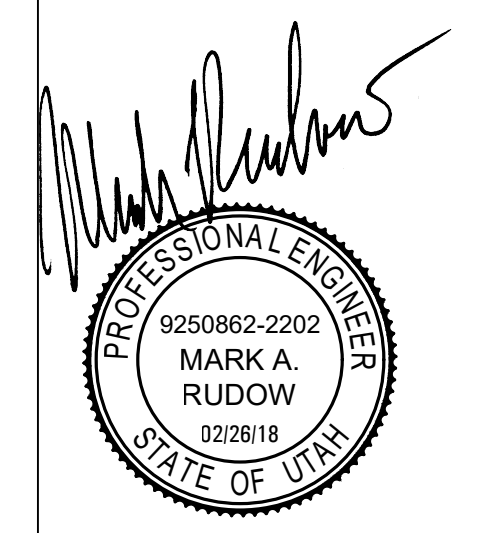
OWNER
 brr powdercat th development, llc
 11180 sunrise valley drive, ste 300
 reston, va 20191
 t (703) 289-2125

CIVIL
 talisman civil consultants
 5217 south state st, ste 200
 murray, ut 84107
 t (801) 743-1308

STRUCTURAL
 rudow+berry, inc.
 4032 n miller rd. a100
 scottsdale, az 85255
 t (480) 946-8171

MECH/PLBG/ELEC
 peterson associates consulting engineers, inc.
 7200 n dreamy draw dr, ste 200
 phoenix, az 85020
 t (602) 388-1732

LANDSCAPE
 langvardt design group
 328 W 200 S
 salt lake city, ut 84101
 t (801) 583-1295



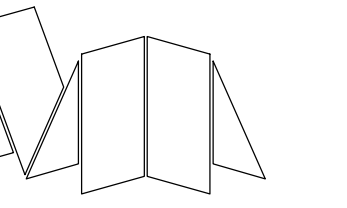
s1.11
 FDN./FLR. FRMG. PLAN
 ENTRY LEVEL

1/4" = 1'-0"
 scale

PERMIT SET
 phase / rev
 2017.06.01
 date

AutoCAD Version: 2017
 February 26, 2018, 2:33:03 PM
 XREF: XREF=1, UNITS= IN=INNOTES OR=MANE=16126 XT=16126

SEE SHEET S1.11 FOR TYPICAL PLAN NOTES



architect
STUDIO MA
 130 N Central Avenue No.300
 Phoenix, Arizona 85004
 T 602 251 3800

sma project no.
16-101

sma project name
POWDERCAT

COPYRIGHT 2017 STUDIO MA
 This document is an instrument of service and shall remain the property of the Architect, who shall retain all common law, statutory and other reserved rights, including the copyright thereto.

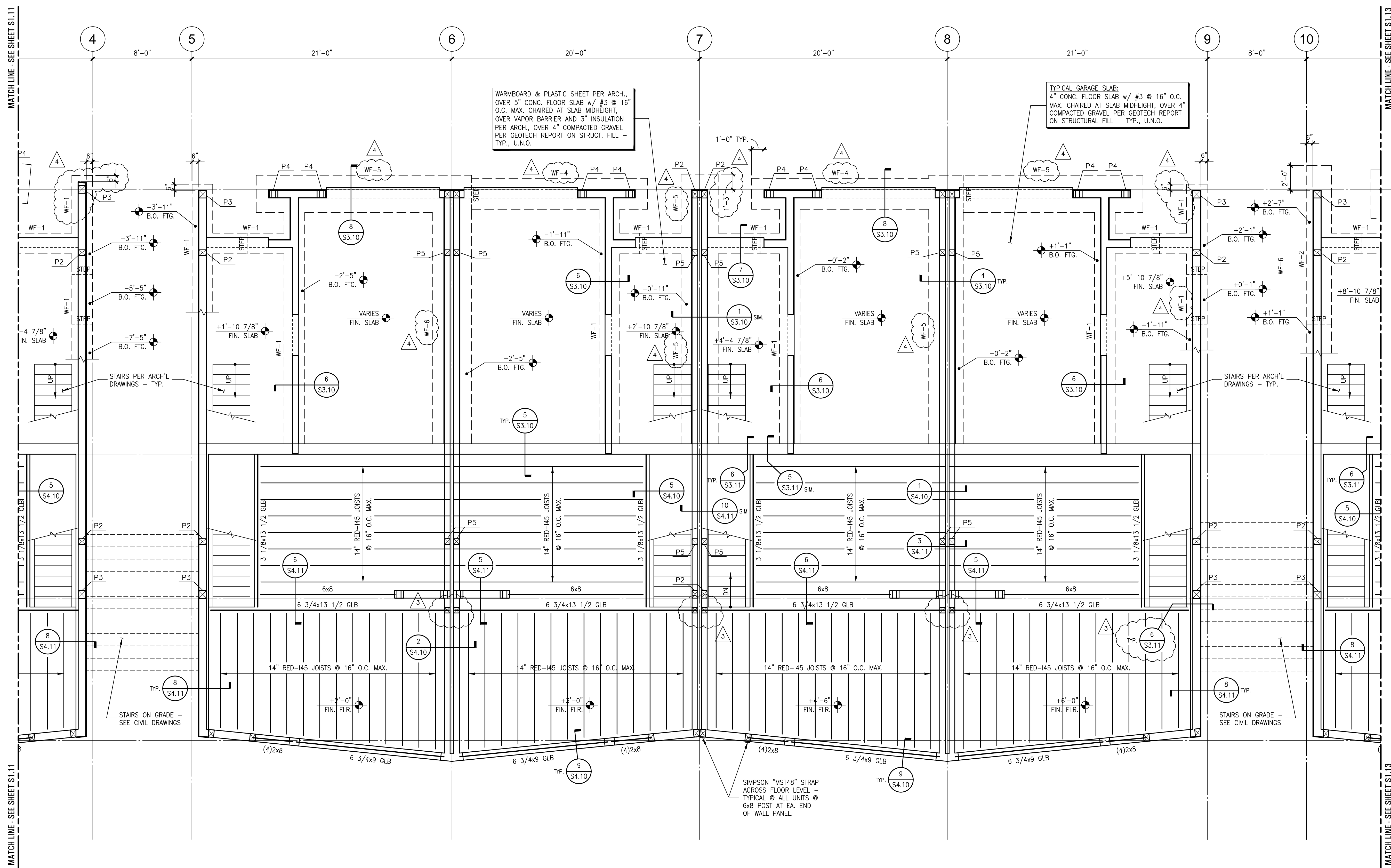
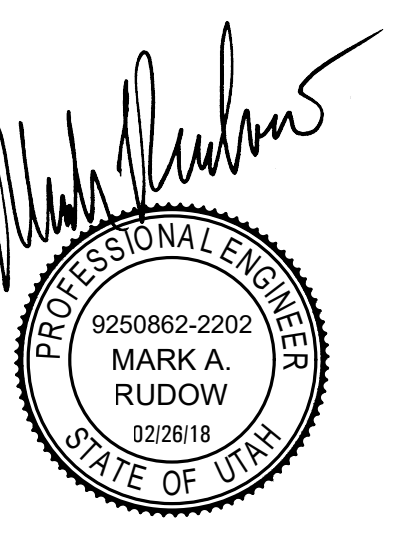
OWNER
 brr powdercat th development, llc
 11180 sunrise valley drive, ste 300
 reston, va 20191
 t (703) 289-2125

CIVIL
 talisman civil consultants
 5217 south state st, ste 200
 murray, ut 84107
 t (801) 743-1308

STRUCTURAL
 rudow+berry, inc.
 4032 n miller rd. a100
 scottsdale, az 85255
 t (480) 946-8171

MECH/PLBG/ELEC
 peterson associates consulting engineers, inc.
 7201 n dreamy draw dr, ste 200
 phoenix, az 85020
 t (602) 388-1732

LANDSCAPE
 langvardt design group
 328 W 200 S
 salt lake city, ut 84101
 t (801) 583-1295

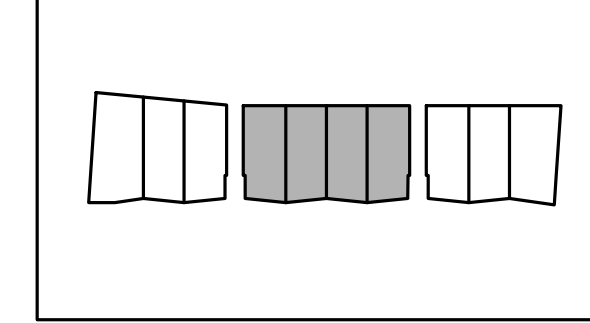


FACE o/ STRUCT SHTG **A**

FACE OF CONCRETE **B**

FACE o/ STRUCT SHTG **C**

KEYMAP

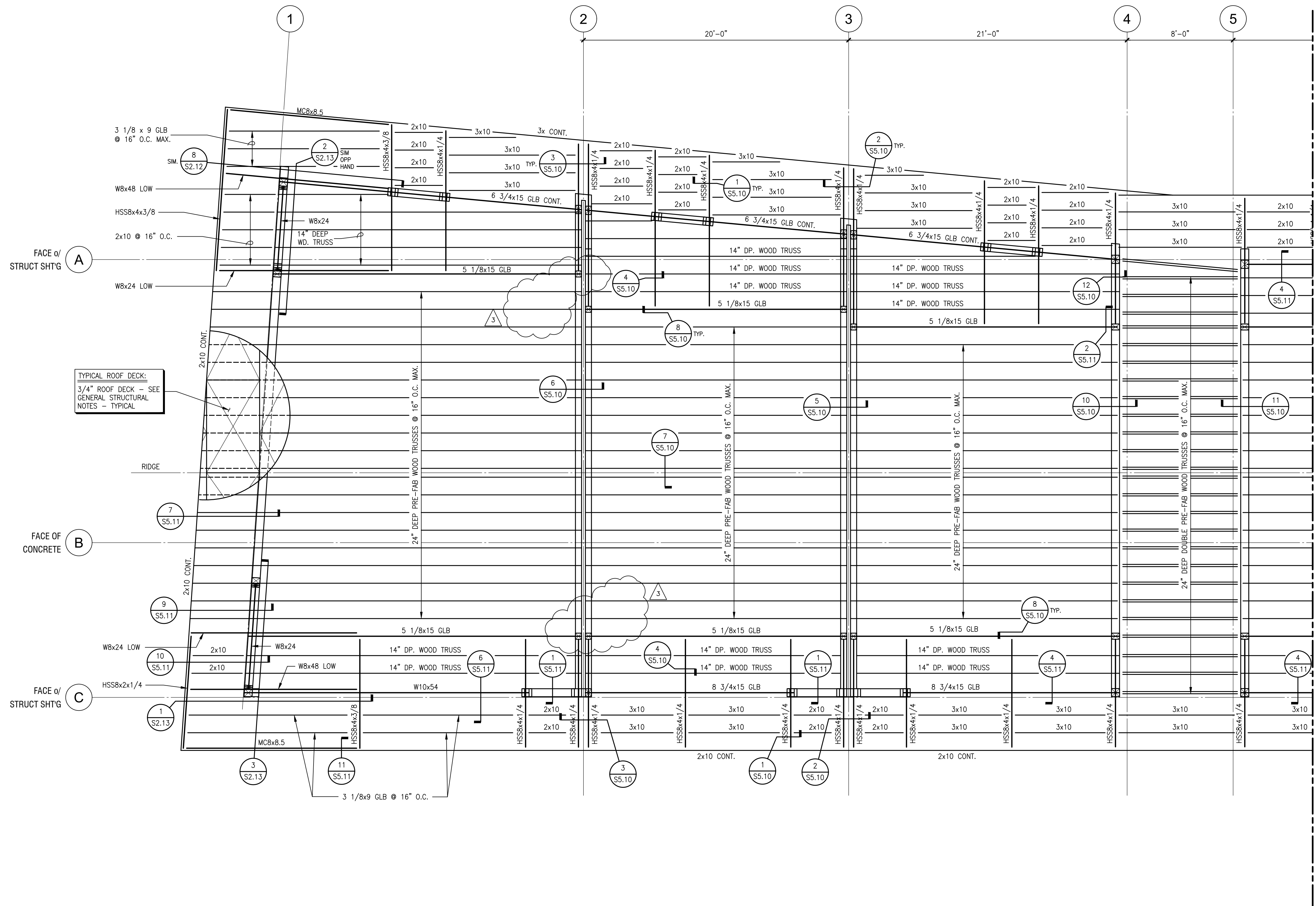


1/4" = 1'-0" scale



PERMIT SET
 phase / rev
 2017.06.01
 date

AutoCAD Version: 2017
 February 26, 2018, 2:42:24 PM
 Xrefs: Xref=Main-16128 Xref=16128



- ROOF FRAMING PLAN NOTES:**
- SEE SHEETS S0.10 & S0.11 FOR:
 - GENERAL STRUCTURAL NOTES
 - TYPICAL TOP PLATE SPLICE DETAIL
 - TYP. MECH'L UNIT SUPPORT FRAMING
 - TYPICAL HEADER DETAIL
 - TYPICAL BEAM TO BEAM CONN.
 - TYPICAL BEAM TO POST CONN.
 - TYPICAL ROOF PLYWOOD LAYOUT.
 - SEE ARCH'L DRAWINGS FOR ALL B.O.D. ROOF ELEVATIONS.
 - DENOTES OPENING IN ROOF DECK, COORDINATED SIZE & LOCATION w/ MECH. DRAWINGS. PROVIDE OPENING FRAMING PER DETAILS ON SHEET S0.11.
 - DENOTES WOOD HEADER PER DETAIL 7/S0.11.
 - ESTABLISH AND VERIFY ALL OPENINGS & INSERTS FOR MECHANICAL, ELECTRICAL & PLUMBING WITH THE APPROPRIATE TRADES, DRAWINGS AND SUBCONTRACTORS PRIOR TO CONSTRUCTION.
 - HANGING CEILING, DUCTWORK OR OTHER ITEMS FROM THE ROOF SHEATHING IS NOT ALLOWED.

architect
STUDIO MA
 130 N Central Avenue No.300
 Phoenix, Arizona 85004
 T 602 251 3800

sma project no.
16-101
 sma project name
POWDERCAT

COPYRIGHT 2017 STUDIO MA
 This document is an instrument of service and shall remain the property of the Architect, who shall retain all common law, statutory and other reserved rights, including the copyright thereto.

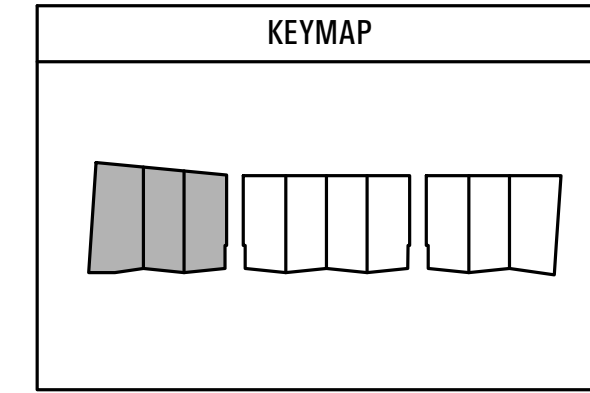
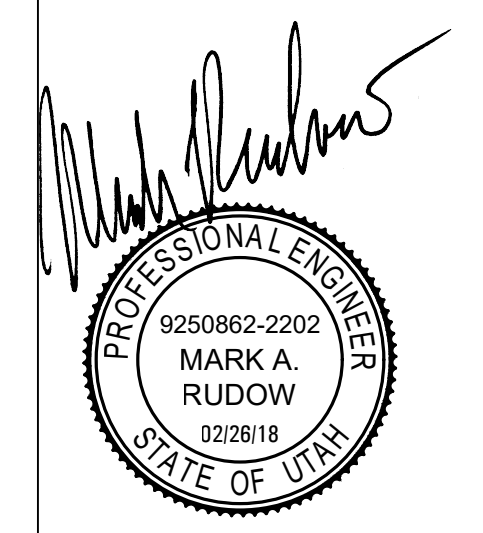
OWNER
 brr powdercat th development, llc
 11180 sunrise valley drive, ste 300
 reston, va 20191
 t (703) 289-2125

CIVIL
 talisman civil consultants
 5217 south state st, ste 200
 murray, ut 84107
 t (801) 743-1308

STRUCTURAL
 rudow+berry, inc.
 4032 n miller rd. a100
 scottsdale, az 85255
 t (480) 946-8171

MECH/PLBG/ELEC
 peterson associates consulting engineers, inc.
 7201 n dreamy draw dr, ste 200
 phoenix, az 85020
 t (602) 388-1732

LANDSCAPE
 langvardt design group
 328 W 200 S
 salt lake city, ut 84101
 t (801) 583-1295



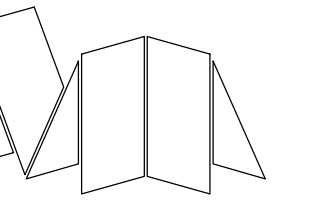
1/4" = 1'-0"
 scale

 PERMIT SET
 phase / rev
 2017.06.01
 date

AutoCAD Version: 2017
 February 26, 2019, 2:02:19 P.M.
 XREF: XL=RFNOTES R0=MANA=16126 XT=16126

s1.31
 ROOF FRAMING PLAN
 ROOF LEVEL

SEE SHEET S1.31 FOR TYPICAL PLAN NOTES



architect
STUDIO MA
 130 N Central Avenue No.300
 Phoenix, Arizona 85004
 T 602 251 3800

sma project no.
16-101

sma project name
POWDERCAT

COPYRIGHT 2017 STUDIO MA
 This document is an instrument of service and shall remain the property of the Architect, who shall retain all common law, statutory and other reserved rights, including the copyright thereto.

OWNER
 brr powdercat th development, llc
 11180 sunrise valley drive, ste 300
 reston, va 20191
 t (703) 289-2125

CIVIL
 talisman civil consultants
 5217 south state st, ste 200
 murray, ut 84107
 t (801) 743-1308

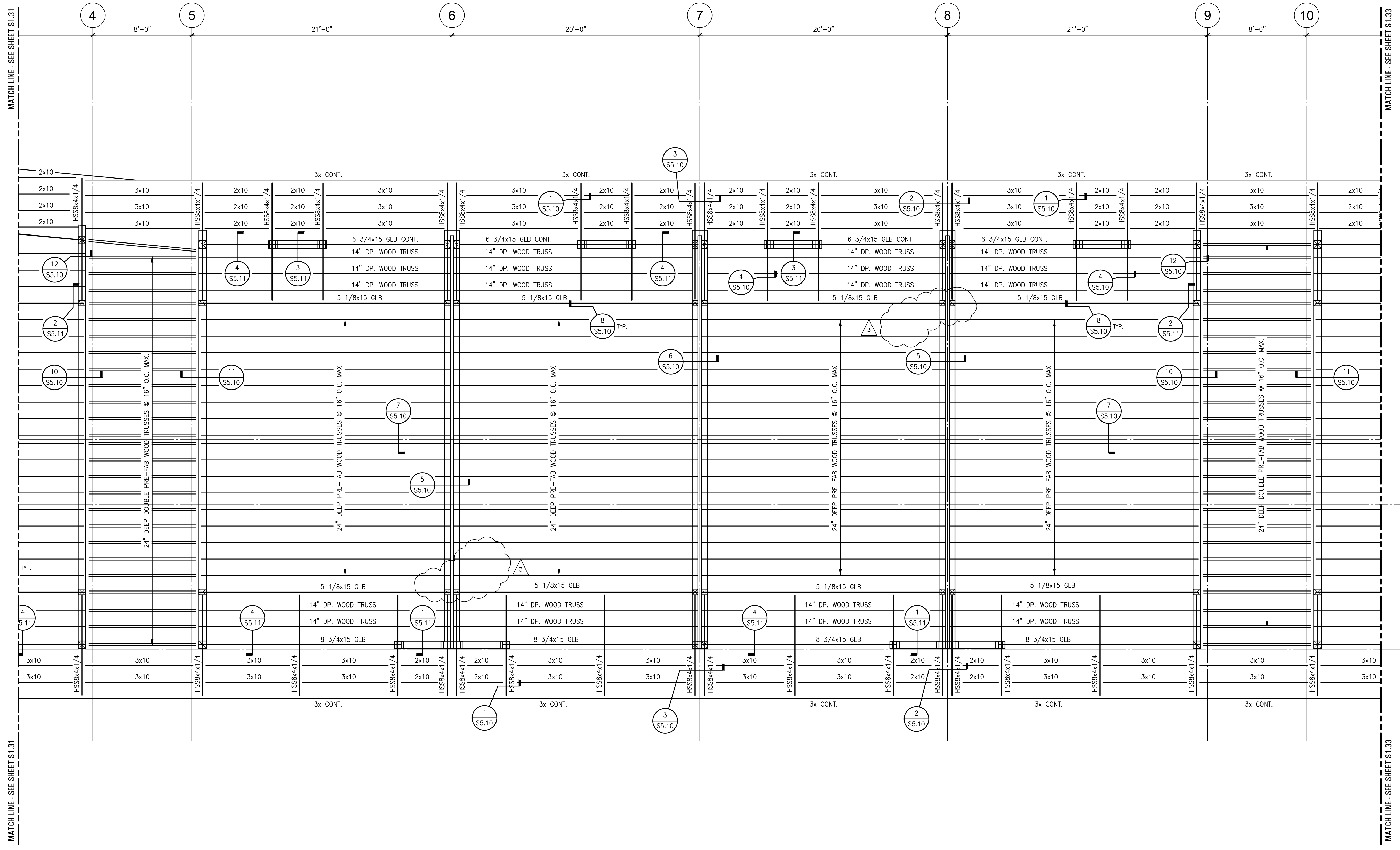
STRUCTURAL
 rudow+berry, inc.
 4032 n miller rd. a100
 scottsdale, az 85255
 t (480) 946-8171

MECH/PLBG/ELEC
 peterson associates consulting engineers, inc.
 7201 n dreamy draw dr, ste 200
 phoenix, az 85020
 t (602) 388-1732

LANDSCAPE
 langvardt design group
 328 W 200 S
 salt lake city, ut 84101
 t (801) 583-1295

Mark A. Rudow

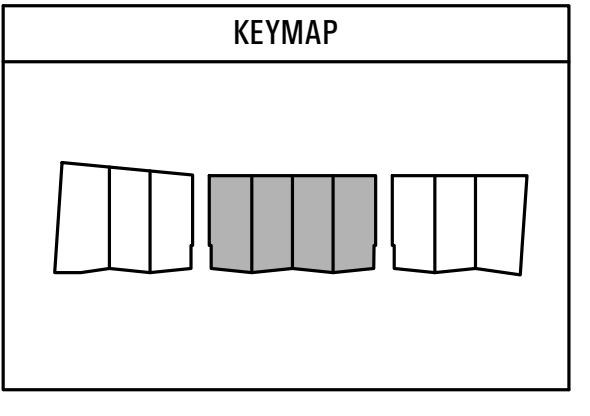
 PROFESSIONAL ENGINEER
 9250862-2202
 MARK A. RUDOW
 02/28/18
 STATE OF UTAH



FACE o/ STRUCT SHTG (A)

FACE OF CONCRETE (B)

FACE o/ STRUCT SHTG (C)



1/4" = 1'-0" scale

PERMIT SET phase / rev

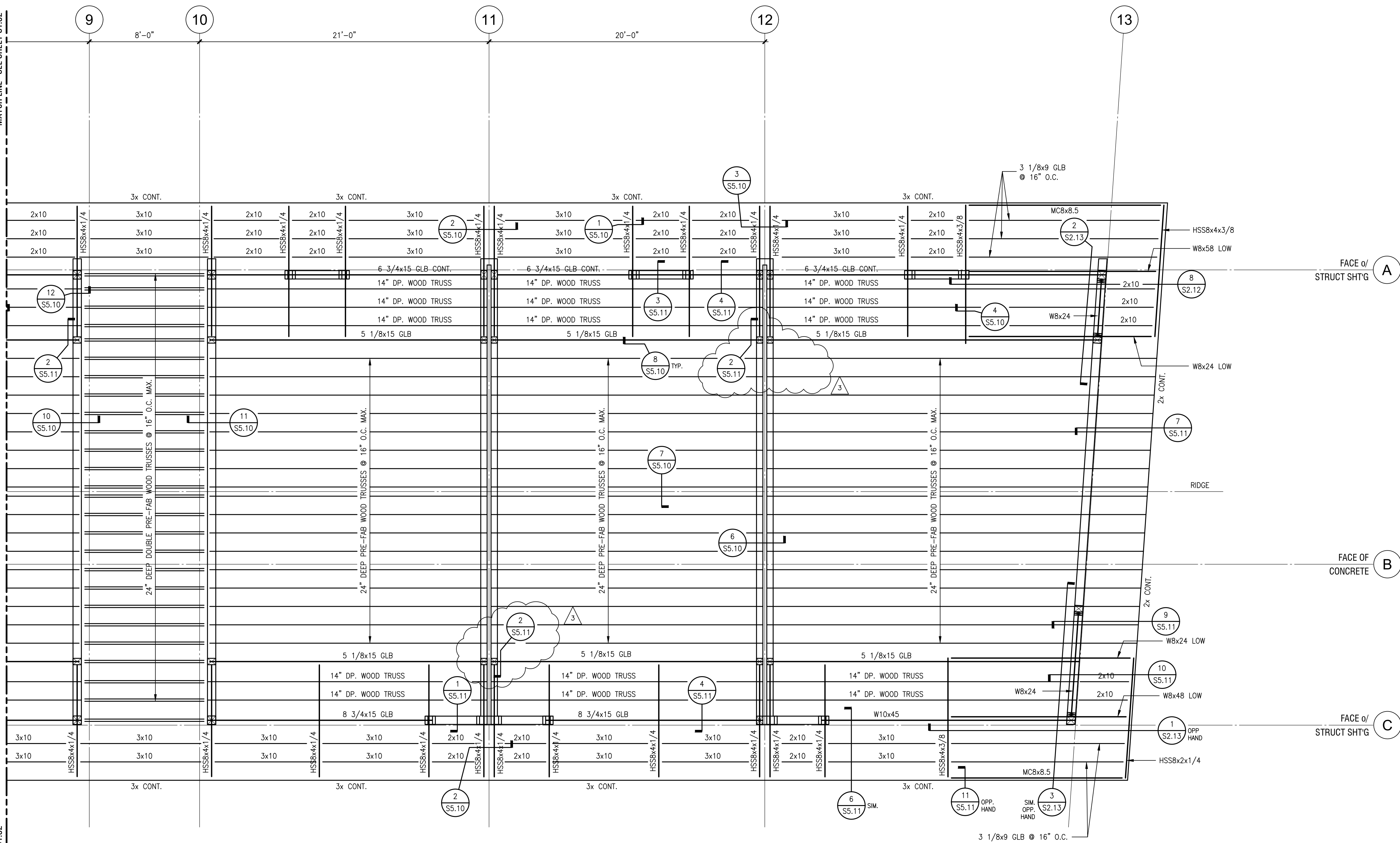
2017.06.01 date

s1.32
 ROOF FRAMING PLAN
 ROOF LEVEL

AutoCAD Version: 2017
 February 26, 2019, 2:04:14 p.m.
 XREF: *R=MAIN-16101.XT=16101.DWG

MATCH LINE - SEE SHEET S1.32

MATCH LINE - SEE SHEET S1.32



- ROOF FRAMING PLAN NOTES:**
- SEE SHEETS S0.10 & S0.11 FOR:
 - GENERAL STRUCTURAL NOTES
 - TYPICAL TOP PLATE SPLICE DETAIL
 - TYP. MECH'L UNIT SUPPORT FRAMING
 - TYPICAL HEADER DETAIL
 - TYPICAL BEAM TO BEAM CONN.
 - TYPICAL BEAM TO POST CONN.
 - TYPICAL ROOF PLYWOOD LAYOUT.
 - SEE ARCH'L DRAWINGS FOR ALL B.O.D. ROOF ELEVATIONS.
 - DENOTES OPENING IN ROOF DECK, COORDINATED SIZE & LOCATION w/ MECH. DRAWINGS. PROVIDE OPENING FRAMING PER DETAILS ON SHEET S0.11.
 - DENOTES WOOD HEADER PER DETAIL 7/S0.11.
 - ESTABLISH AND VERIFY ALL OPENINGS & INSERTS FOR MECHANICAL, ELECTRICAL & PLUMBING WITH THE APPROPRIATE TRADES, DRAWINGS AND SUBCONTRACTORS PRIOR TO CONSTRUCTION.
 - HANGING CEILING, DUCTWORK OR OTHER ITEMS FROM THE ROOF SHEATHING IS NOT ALLOWED.

architect
STUDIO MA
 130 N Central Avenue No.300
 Phoenix, Arizona 85004
 T 602 251 3800

sma project no.
16-101

sma project name
POWDERCAT

COPYRIGHT 2017 STUDIO MA
 This document is an instrument of service and shall remain the property of the Architect, who shall retain all common law, statutory and other reserved rights, including the copyright thereto.

OWNER
 brr powdercat th development, llc
 11180 sunrise valley drive, ste 300
 reston, va 20191
 t (703) 289-2125

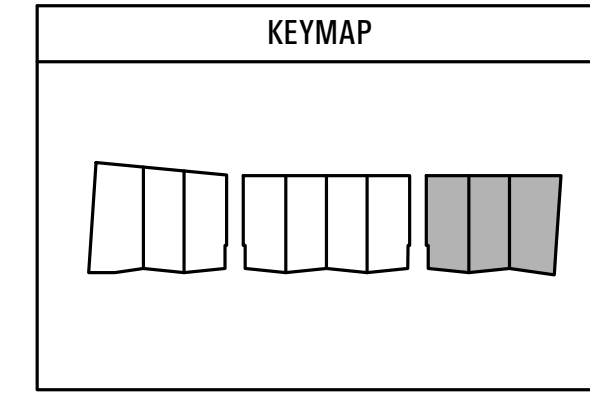
CIVIL
 talisman civil consultants
 5217 south state st, ste 200
 murray, ut 84107
 t (801) 743-1308

STRUCTURAL
 rudow+berry, inc.
 4032 n miller rd. a100
 scottsdale, az 85255
 t (480) 946-8171

MECH/PLBG/ELEC
 peterson associates consulting engineers, inc.
 7201 n dreamy draw dr, ste 200
 phoenix, az 85020
 t (602) 388-1732

LANDSCAPE
 langvardt design group
 328 W 200 S
 salt lake city, ut 84101
 t (801) 583-1295

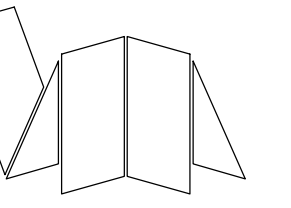
Mark Rudow



1/4" = 1'-0"
 scale

PERMIT SET
 phase / rev
 2017.06.01
 date

AutoCAD Version: 2017
 February 26, 2019, 2:05:48 P.M.
 XREF: XREFNOTES -R-MAN-16126 -T-16126



architect
STUDIO MA
 130 N Central Avenue No.300
 Phoenix, Arizona 85004
 T 602 251 3800

sma project no.
16-101

sma project name
POWDERCAT

COPYRIGHT 2017 STUDIO MA
 This document is an instrument of service and shall remain the property of the Architect, who shall retain all common law, statutory and other reserved rights, including the copyright thereto.

OWNER
 brr powdercat th development, llc
 11180 sunrise valley drive, ste 300
 reston, va 20191
 t (703) 289-2125

CIVIL
 talisman civil consultants
 5217 south state st, ste 200
 murray, ut 84107
 t (801) 743-1308

STRUCTURAL
 rudow+berry, inc.
 4032 n miller rd. a100
 scottsdale, az 85255
 t (480) 946-8171

MECH/PLBG/ELEC
 peterson associates consulting engineers, inc.
 7201 n dreamy draw dr, ste 200
 phoenix, az 85020
 t (602) 388-1732

LANDSCAPE
 langvardt design group
 328 W 200 S
 salt lake city, ut 84101
 t (801) 583-1295

Mark A. Rudow

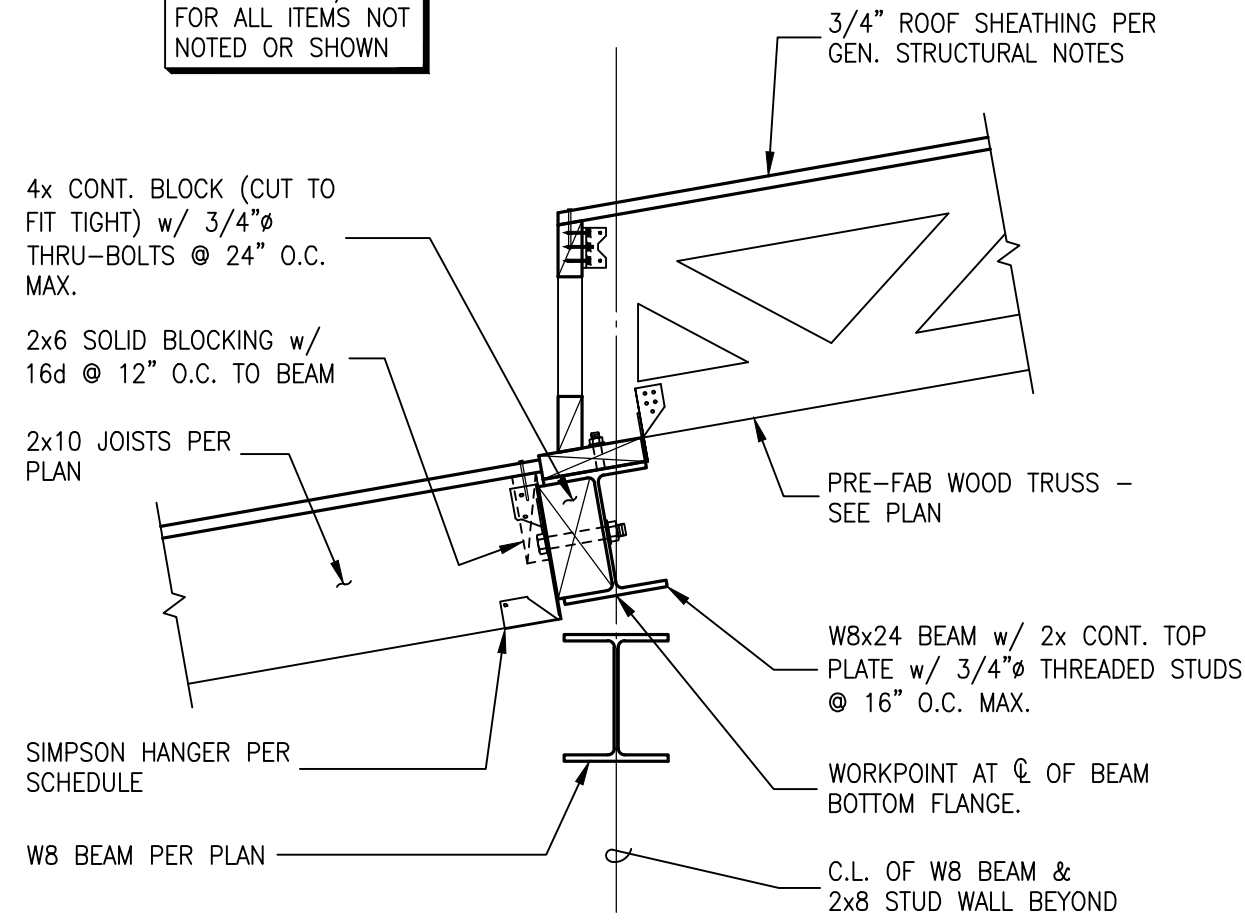


s5.11
ROOF FRAMING
DETAILS

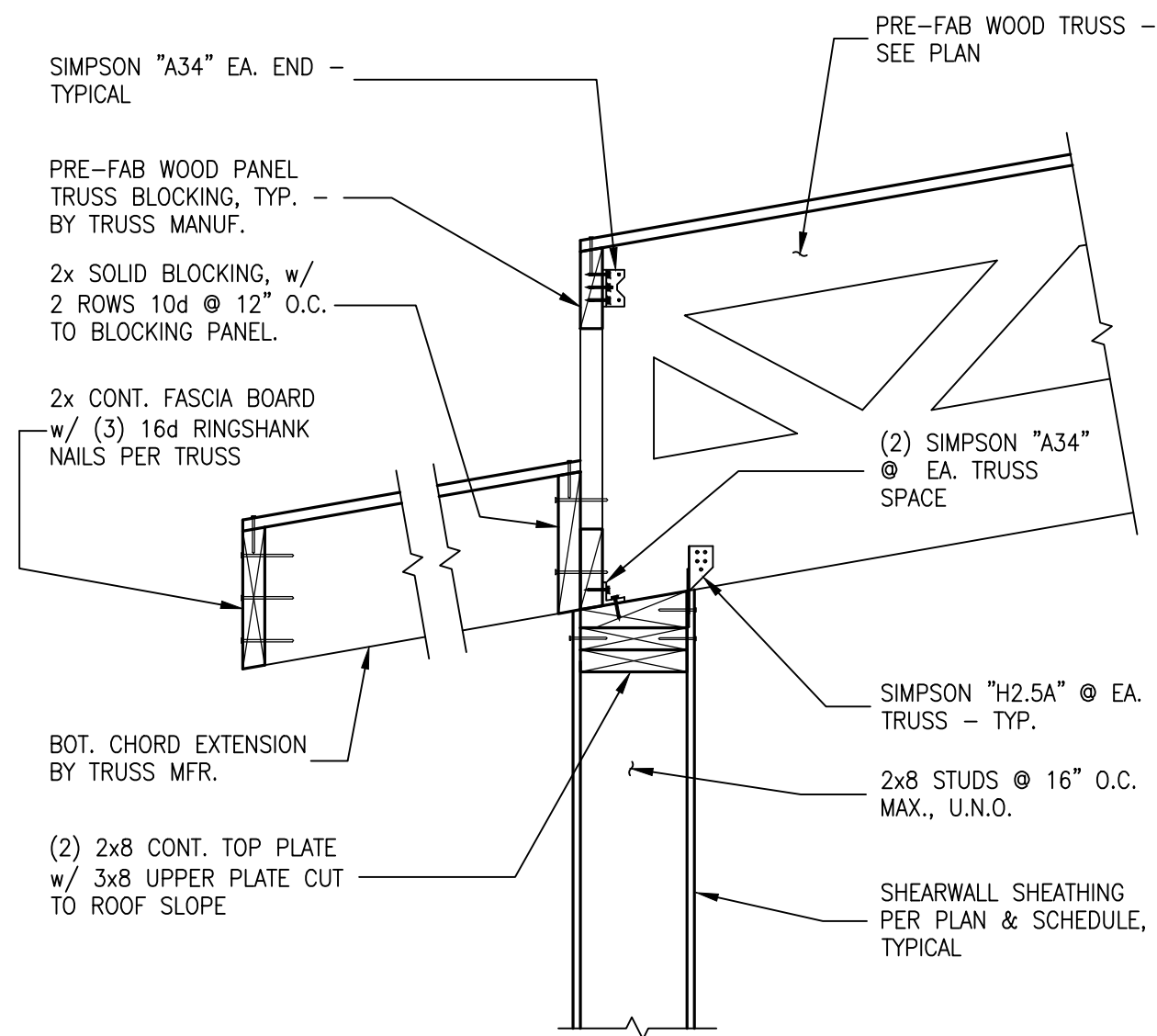
VARIABLE
 scale
 3/8"

PERMIT SET
 phase / rev
 2017.06.01
 date

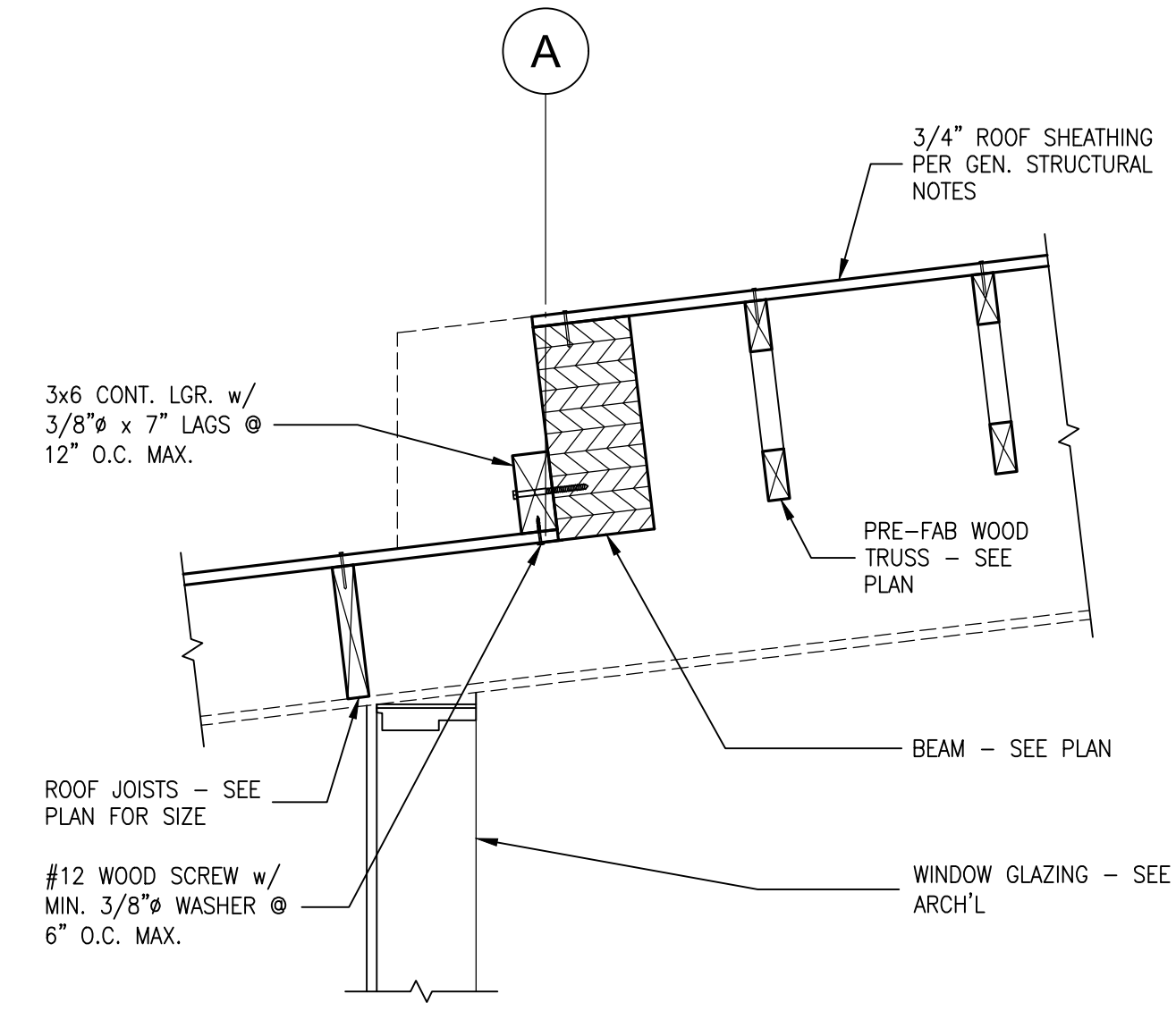
NOTE:
 SEE DETAIL 7/S5.11
 FOR ALL ITEMS NOT
 NOTED OR SHOWN



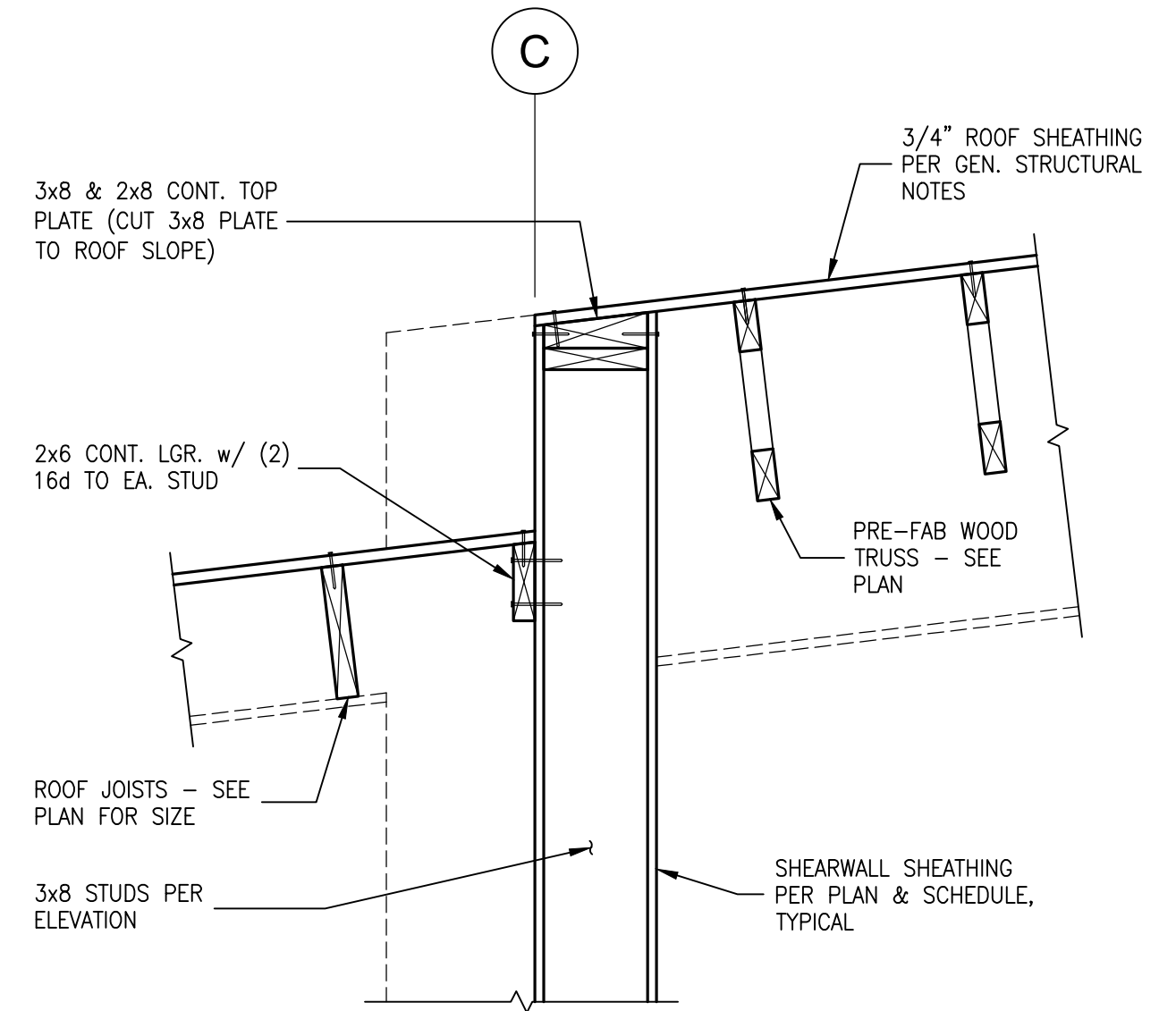
10



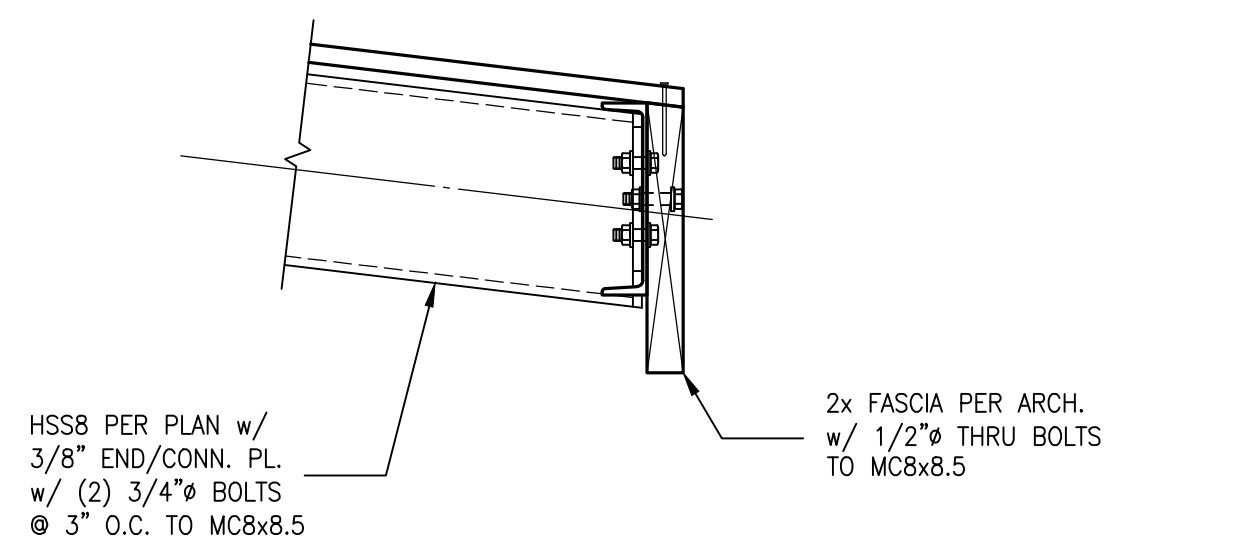
7



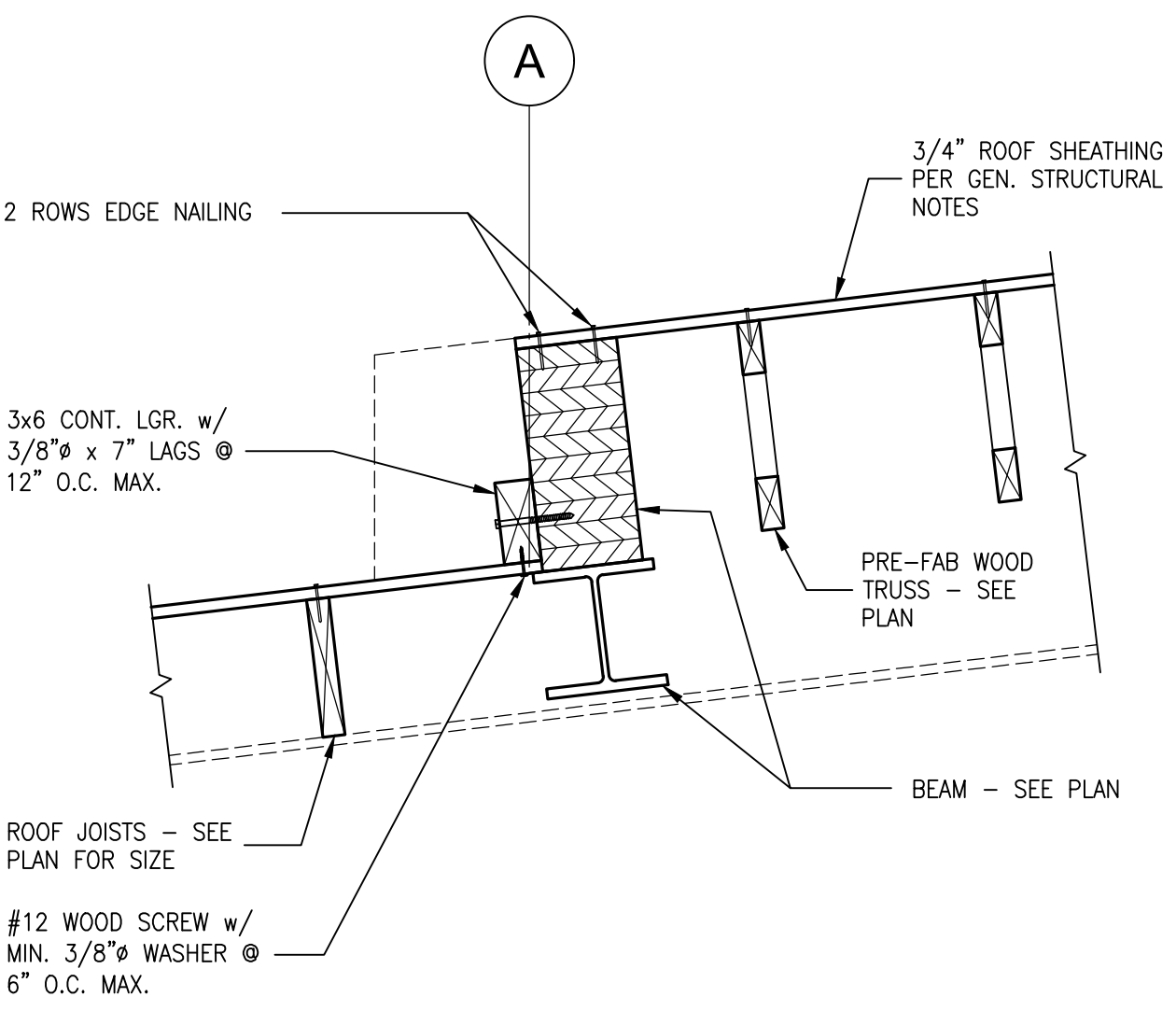
4



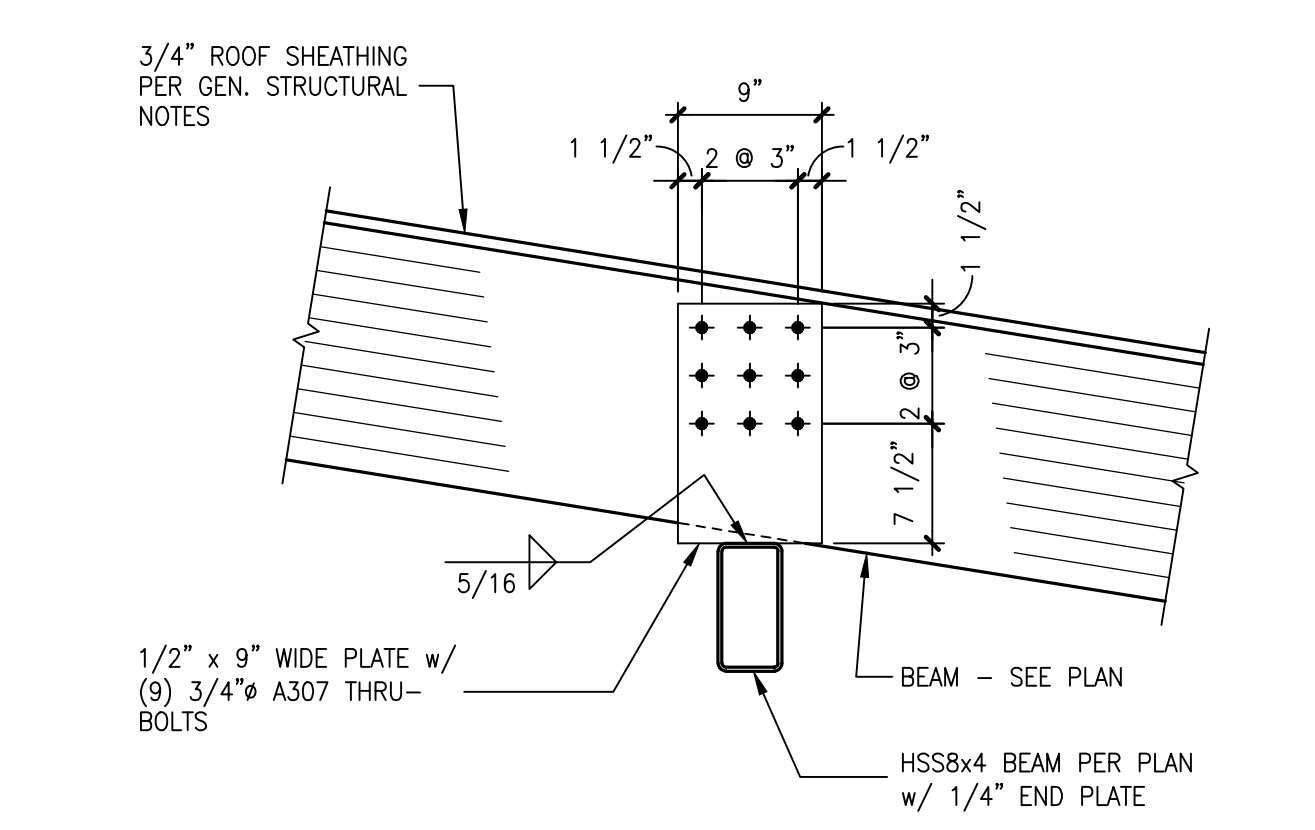
1



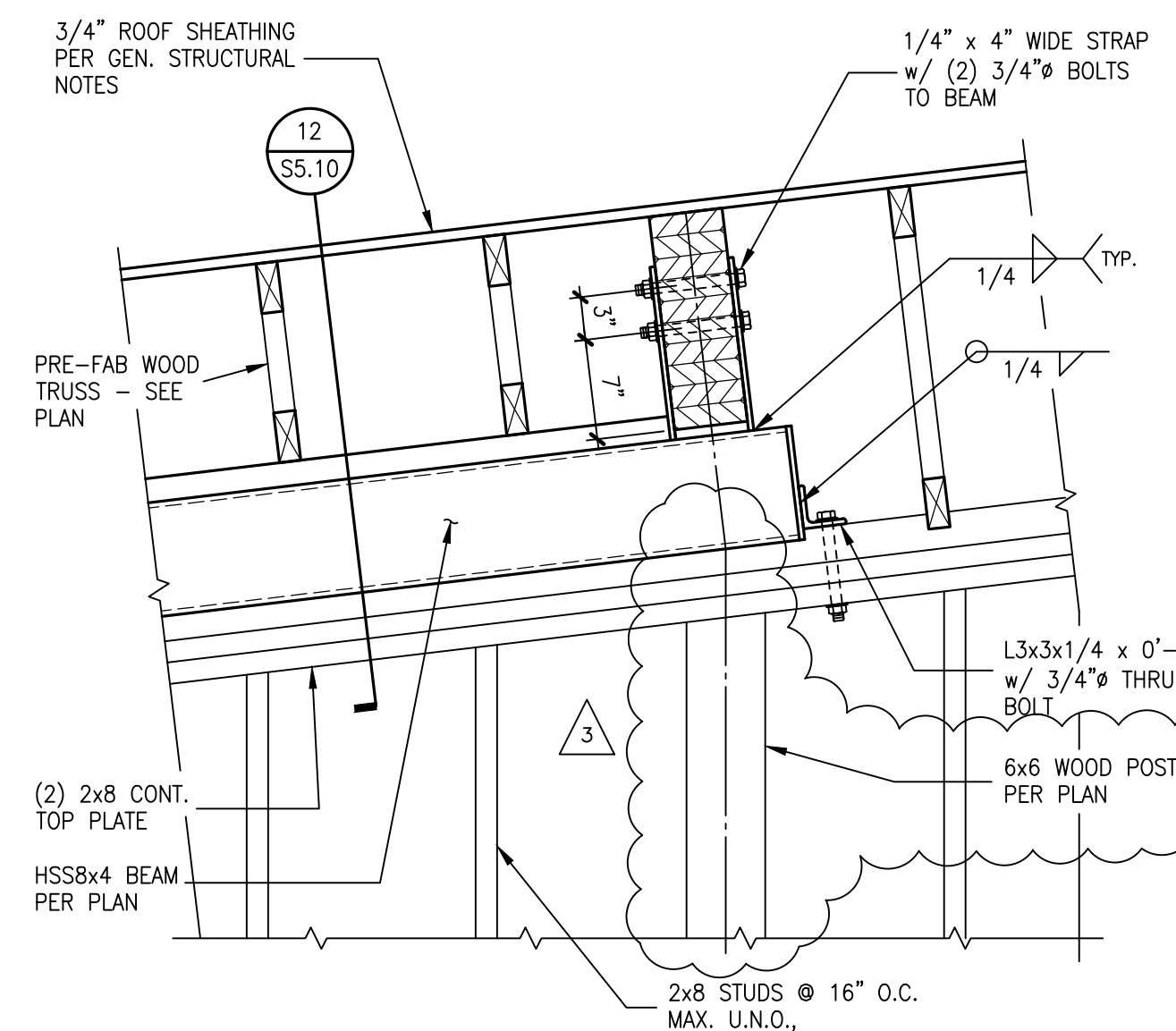
11



8

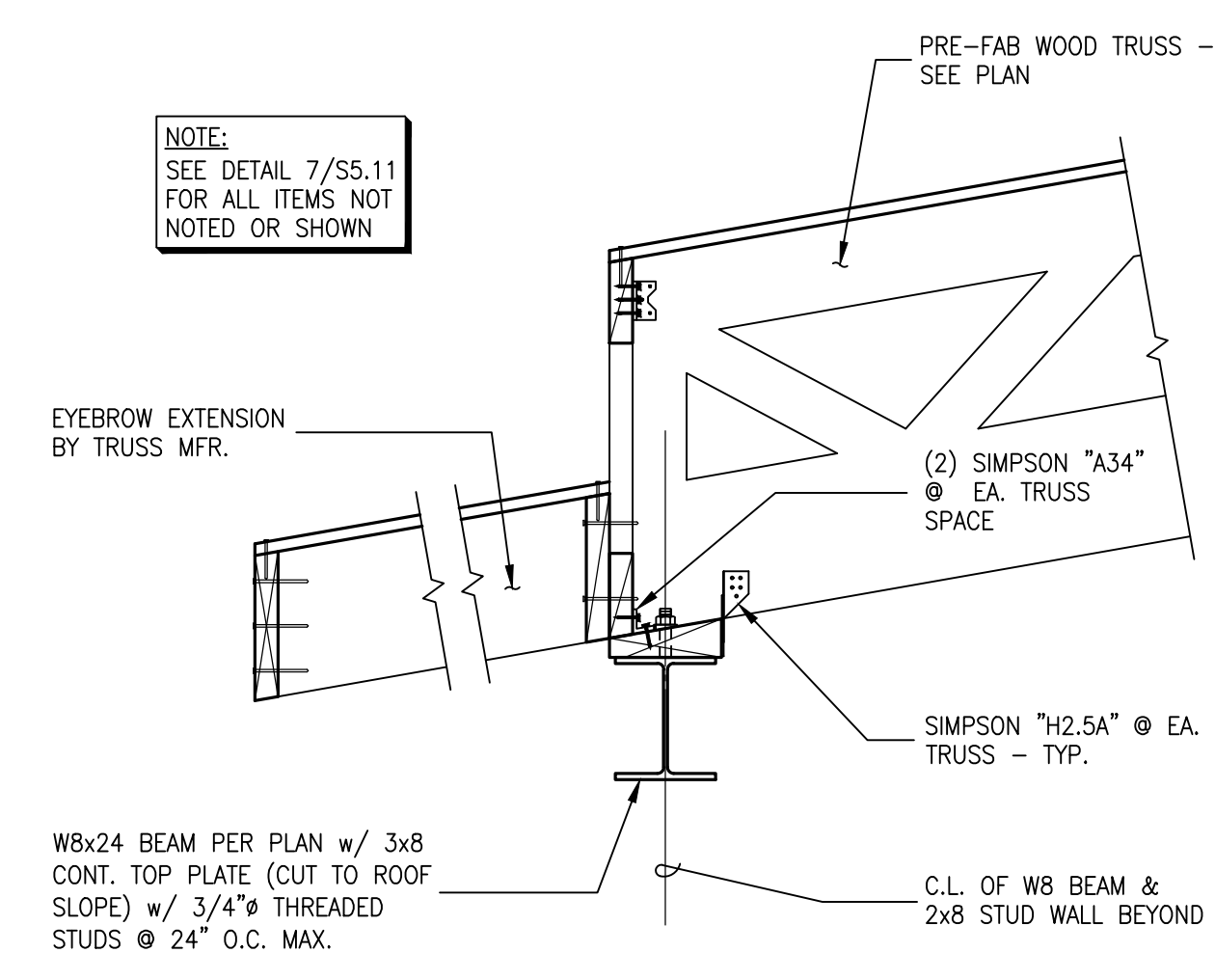


5

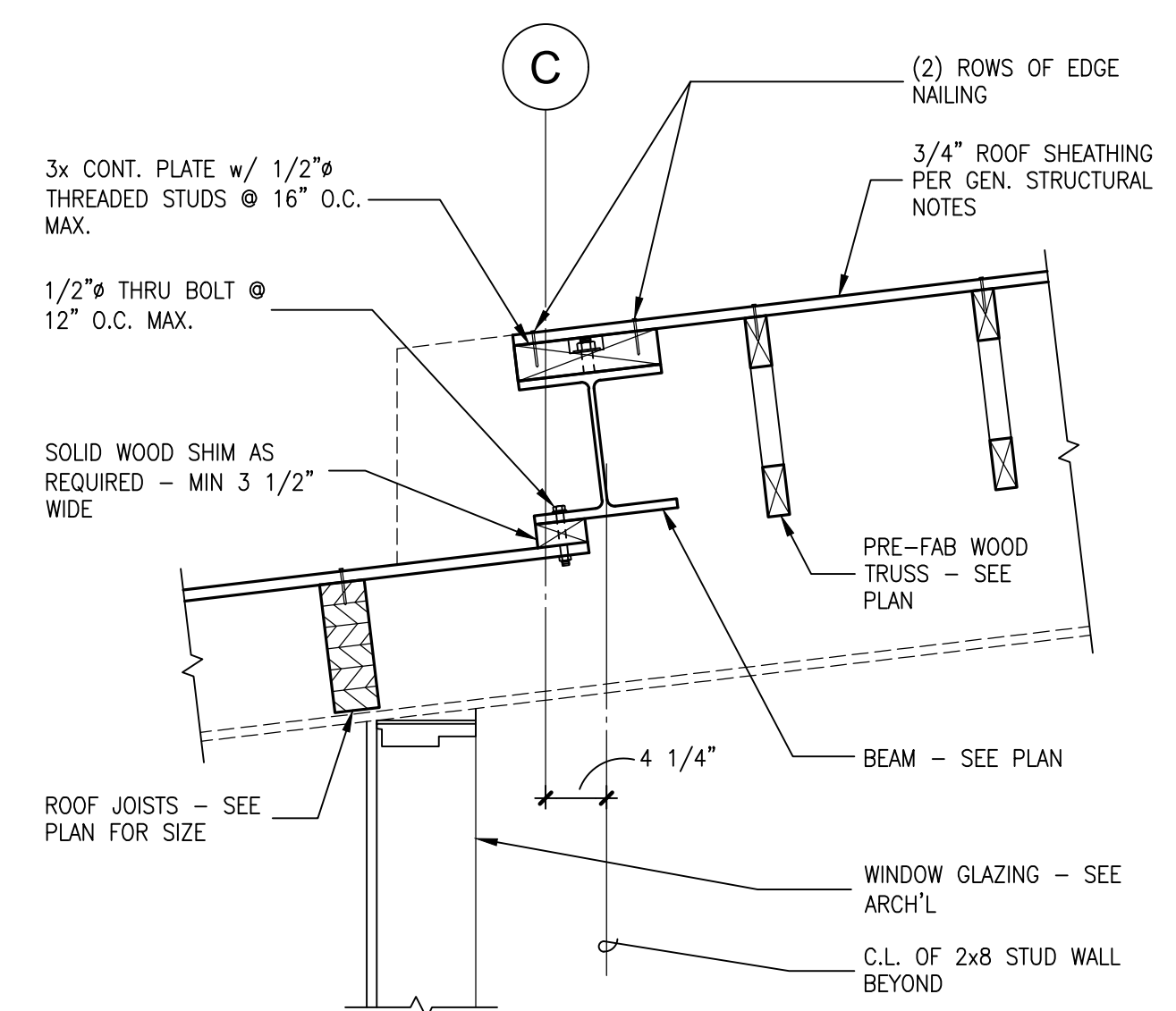


2

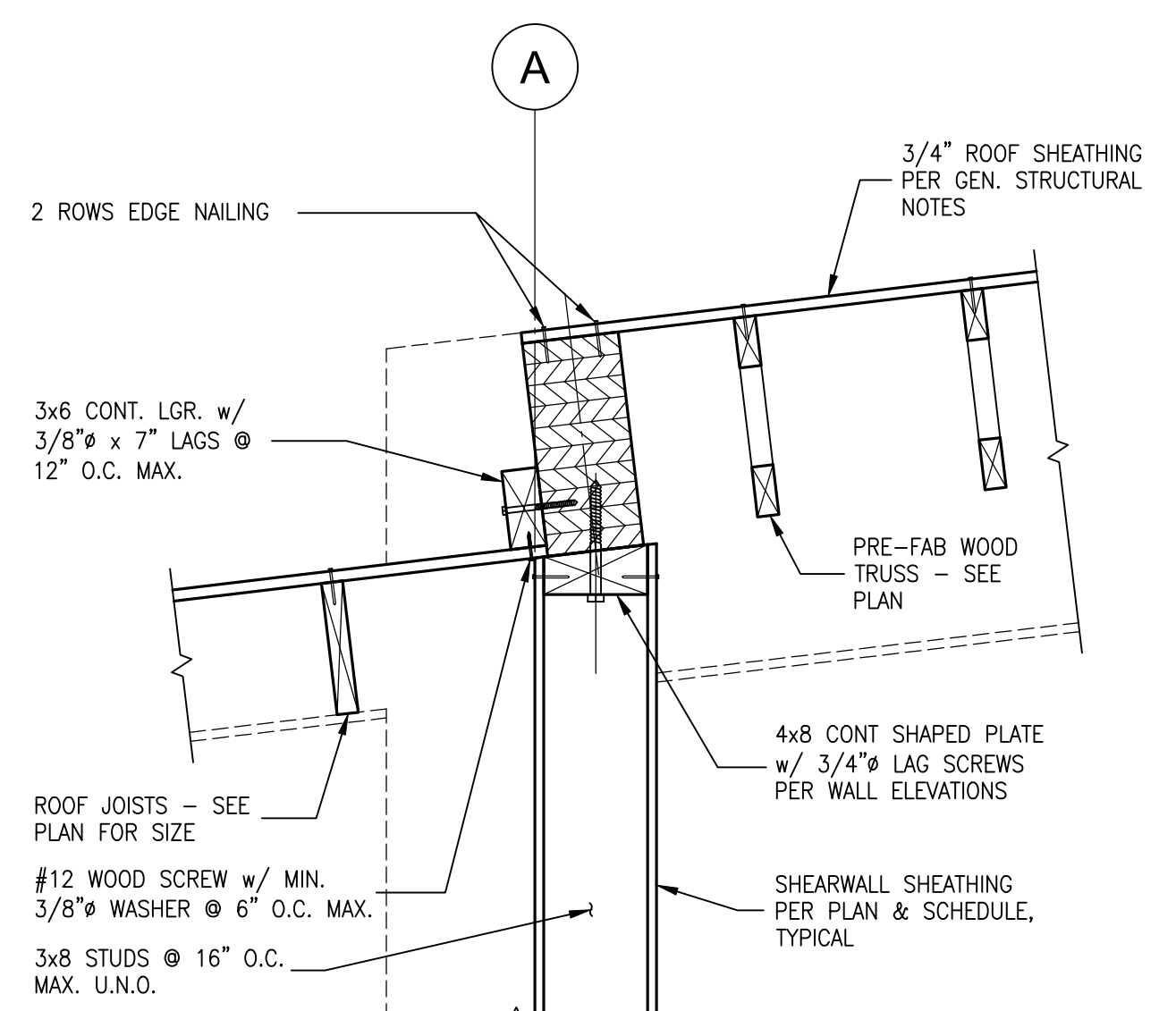
NOTE:
 SEE DETAIL 7/S5.11
 FOR ALL ITEMS NOT
 NOTED OR SHOWN



9



6



3