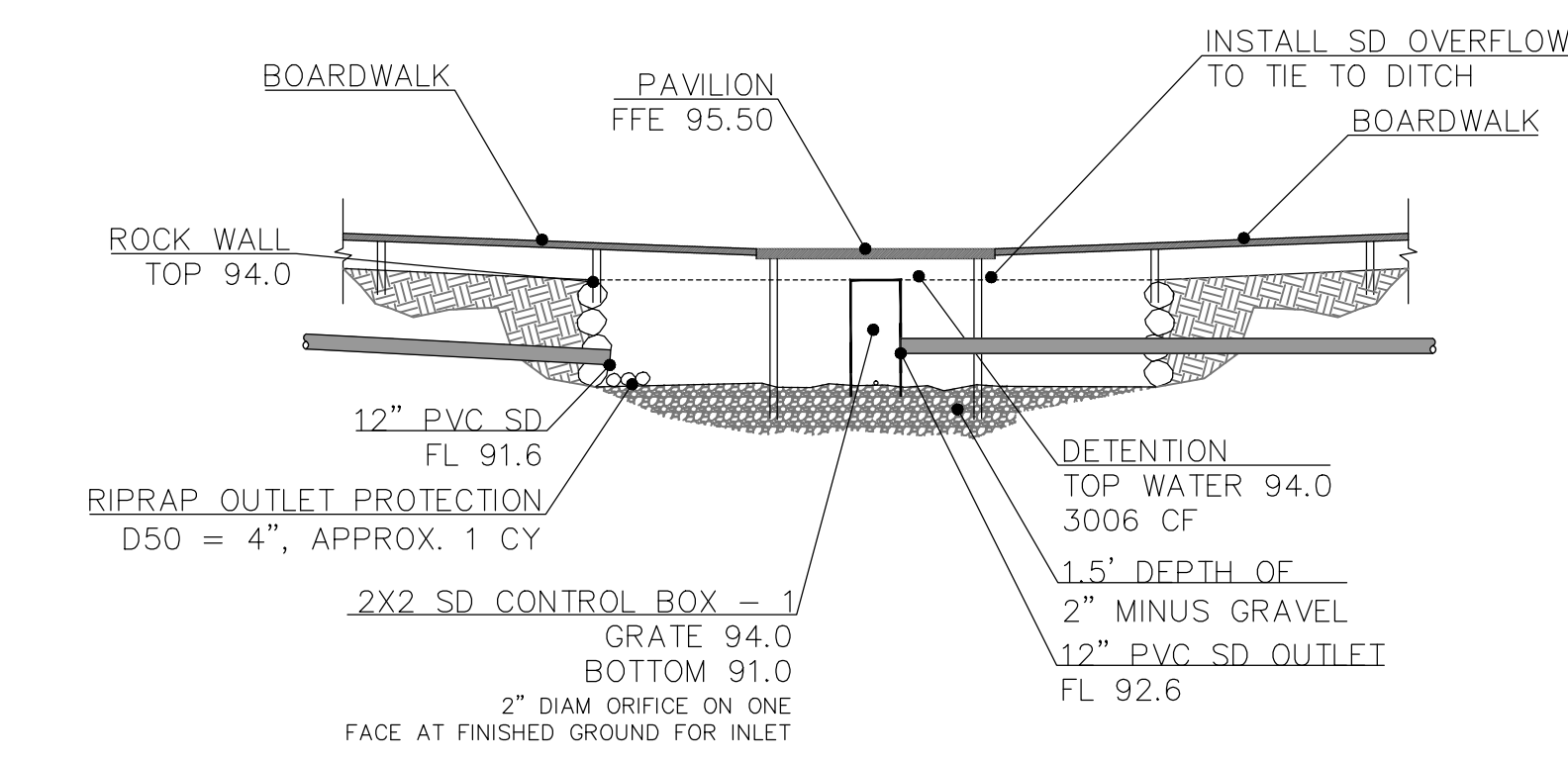


PLAN

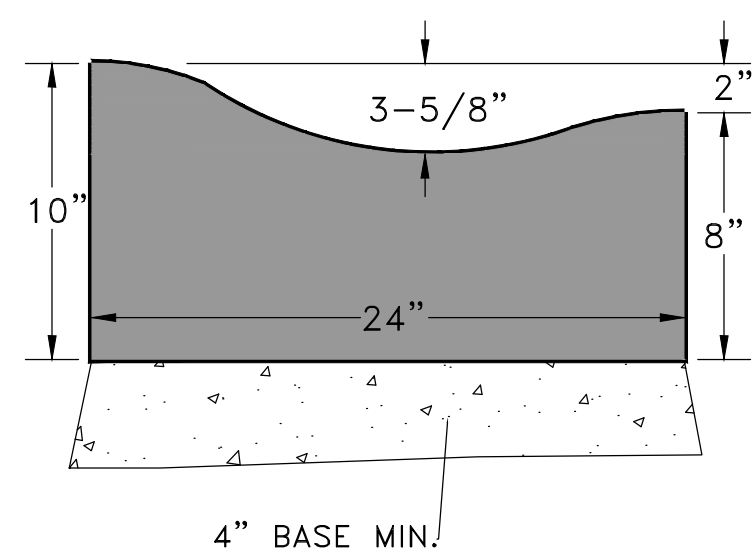


SECTION A-A

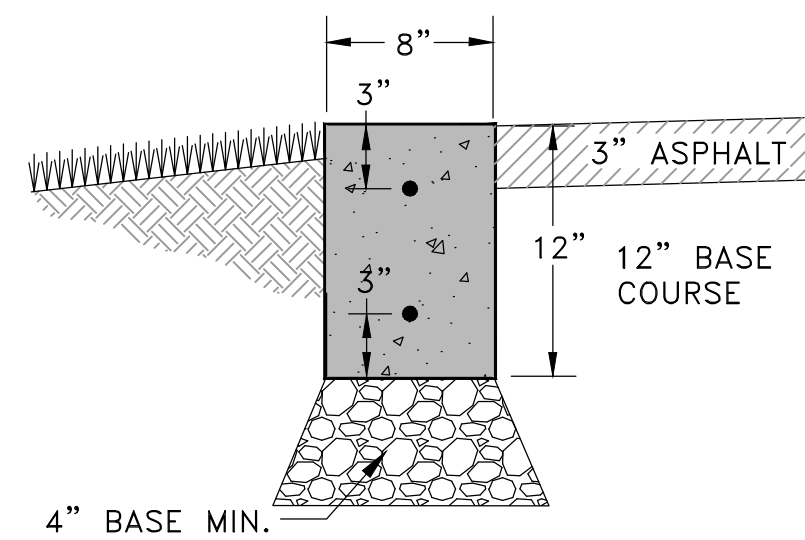
AREA 1 REQUIRED DETENTION, AT 0.02 CFS PER ACRE RELEASE RATE, IS 1,519 CF.
THE AVAILABLE DETENTION IN AREA 1 IS 1650 CF.

THE TOTAL SITE RELEASE RATE = 0.1 CFS PER ACRE OR 0.11 CFS. AREA 1 IS RESTRICTED TO 0.04 CFS PER ACRE RELEASE RATE AND AREA 2 IS RELEASED AT A RATE OF 0.17 CFS PER ACRE WITH A TOTAL COMBINED SITE RELEASE OF 0.11 CFS.

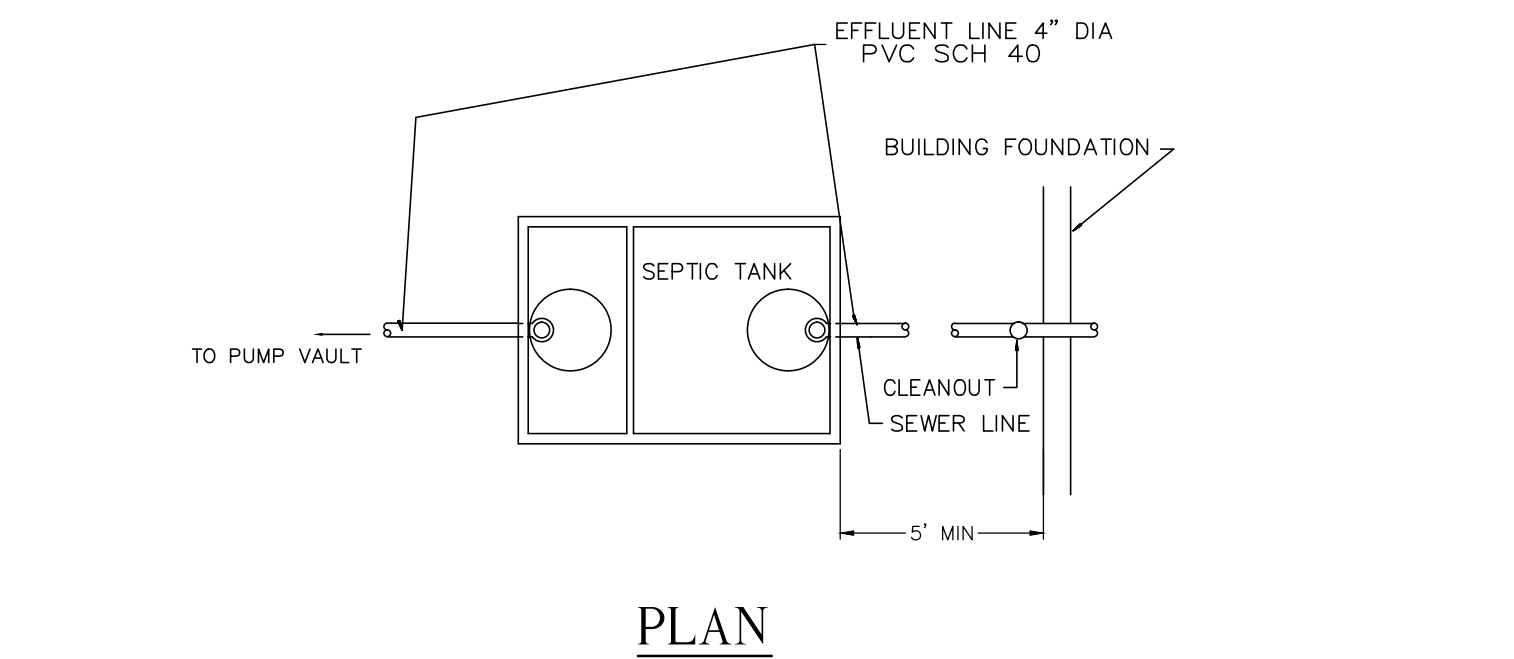
AREA 1 - DETENTION



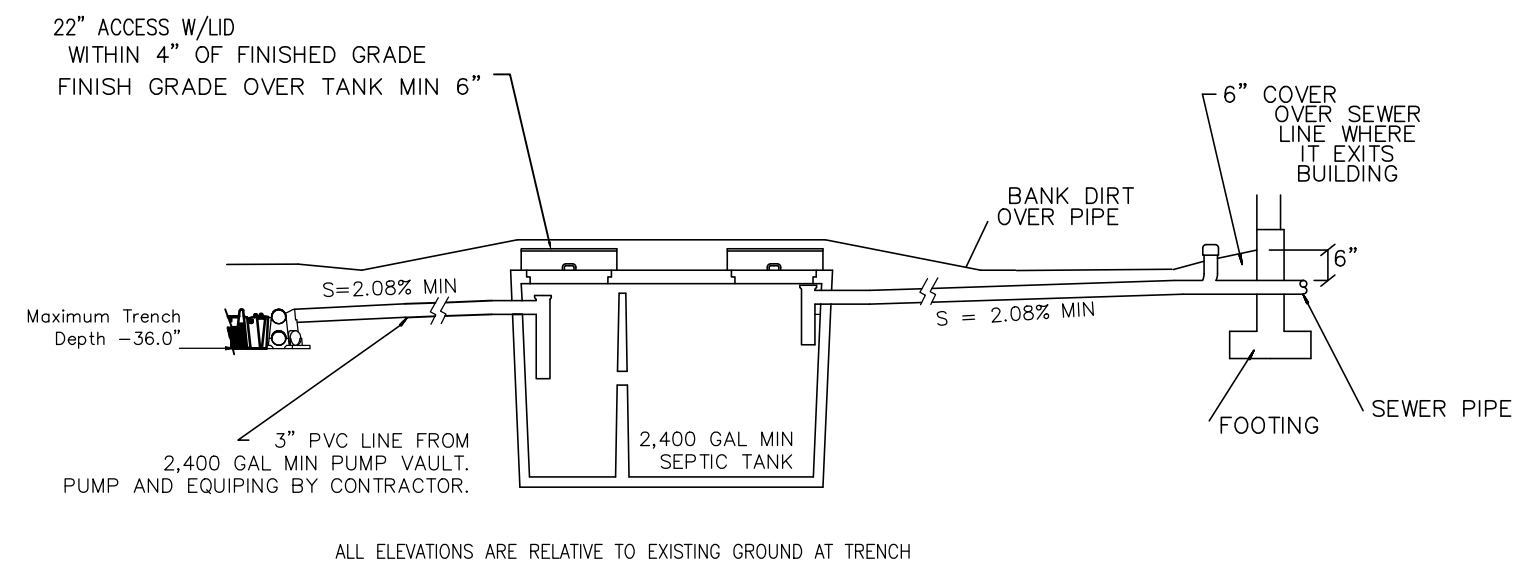
24" ROLLED CURB & GUTTER DETAIL



8" RIBBON CURB DETAIL

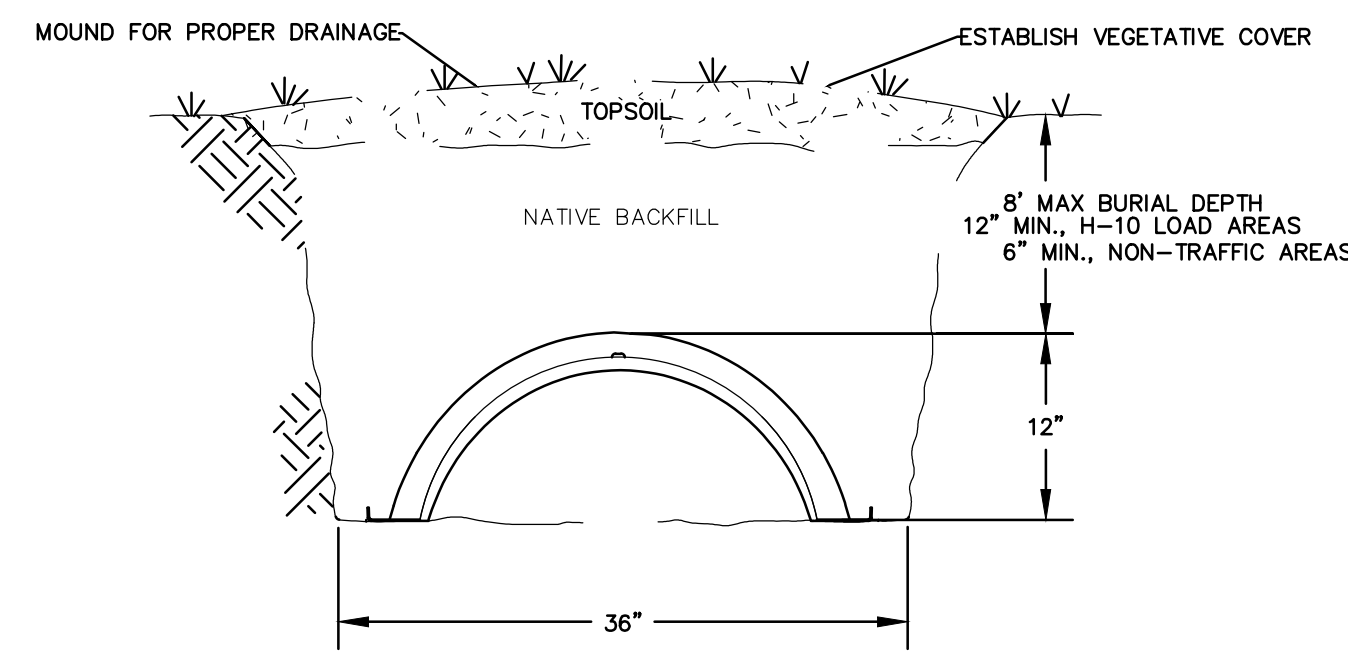


PLAN

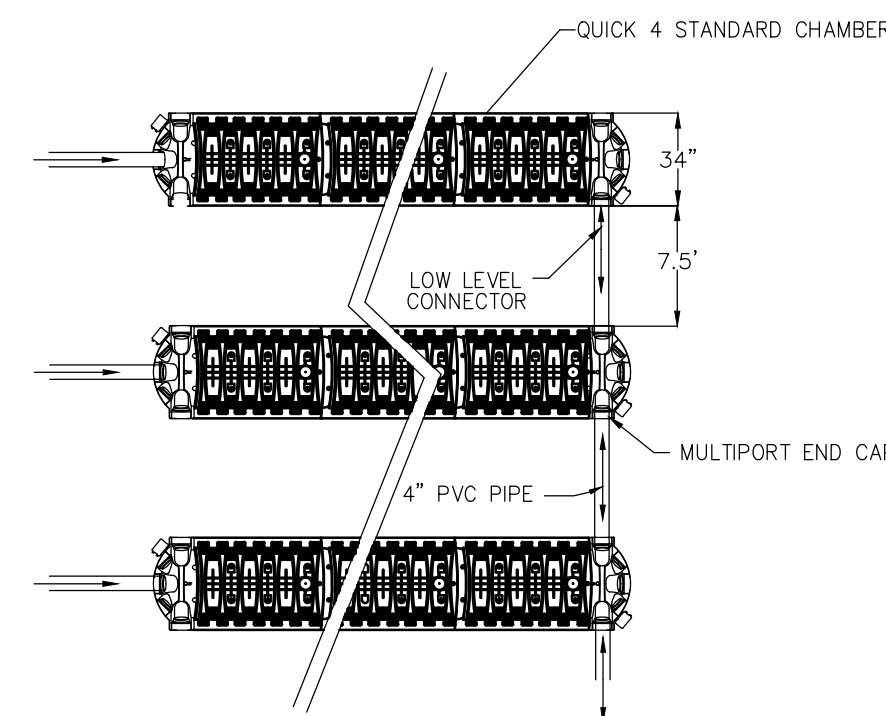


SECTION

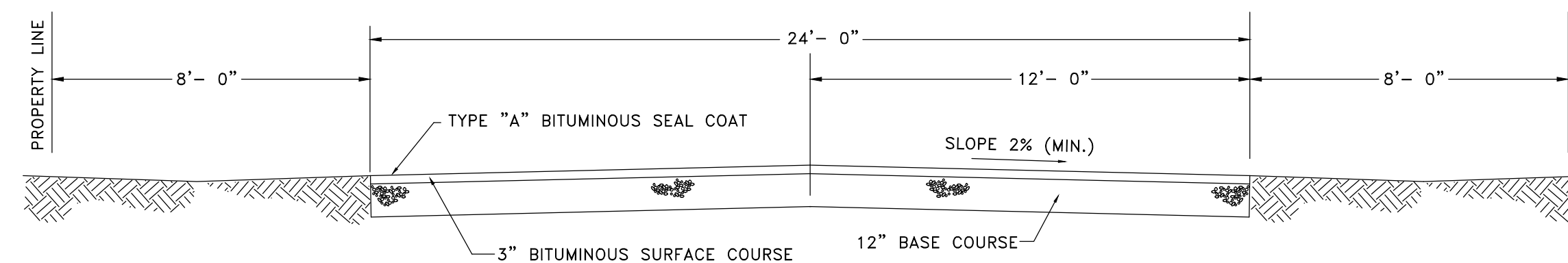
TRENCH DETAIL W/TYPE A CHAMBER SYSTEM (NOT TO SCALE)
INFILTRATOR SYSTEMS INC. QUICK4 STANDARD OR APPROVED EQUAL



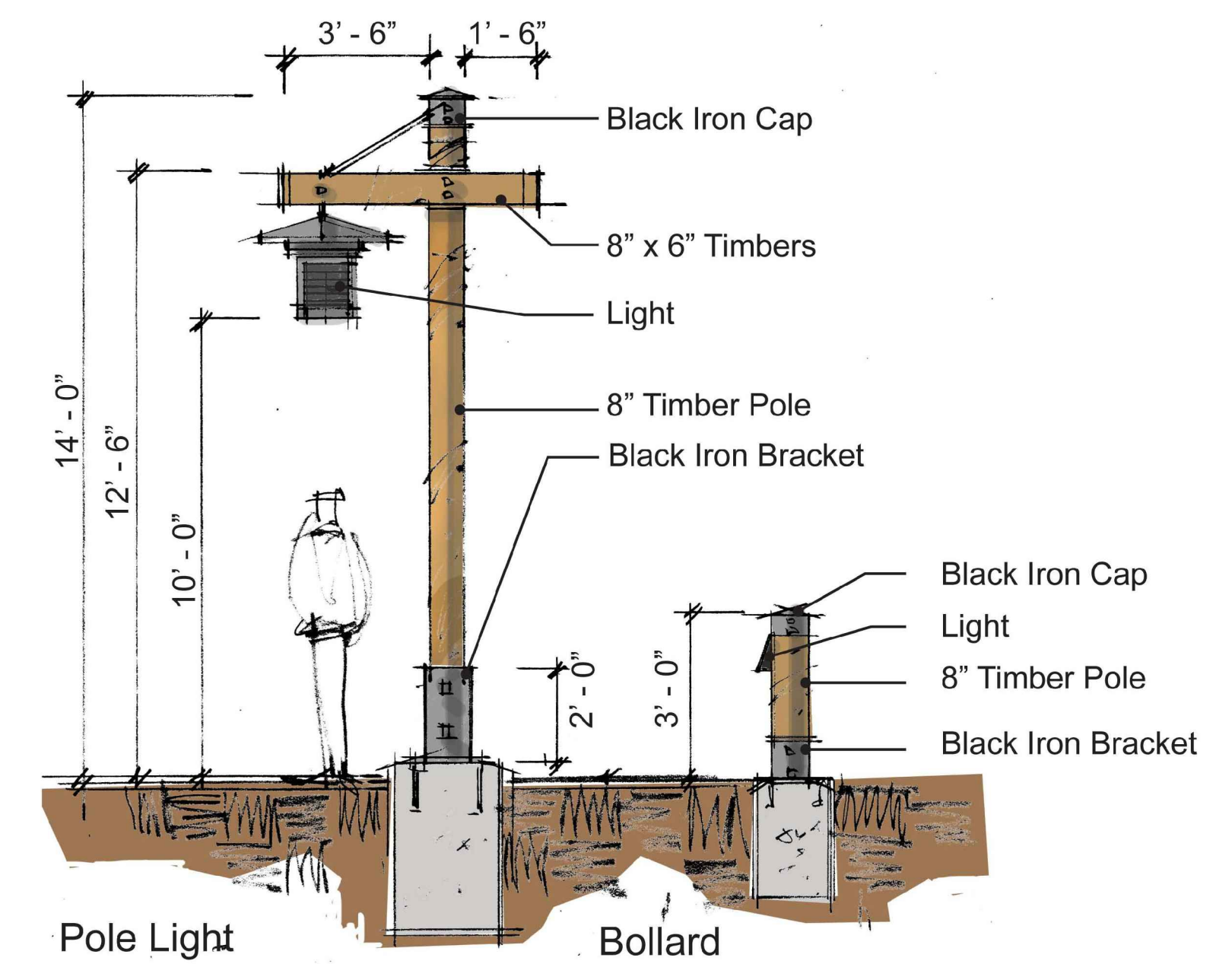
LOW LEVEL CONNECTION TRENCH DETAIL (PLAN VIEW) NOT TO SCALE



SEPTIC TANK & DRAIN FIELD STANDARD DETAILS



TYPICAL ROAD SECTION

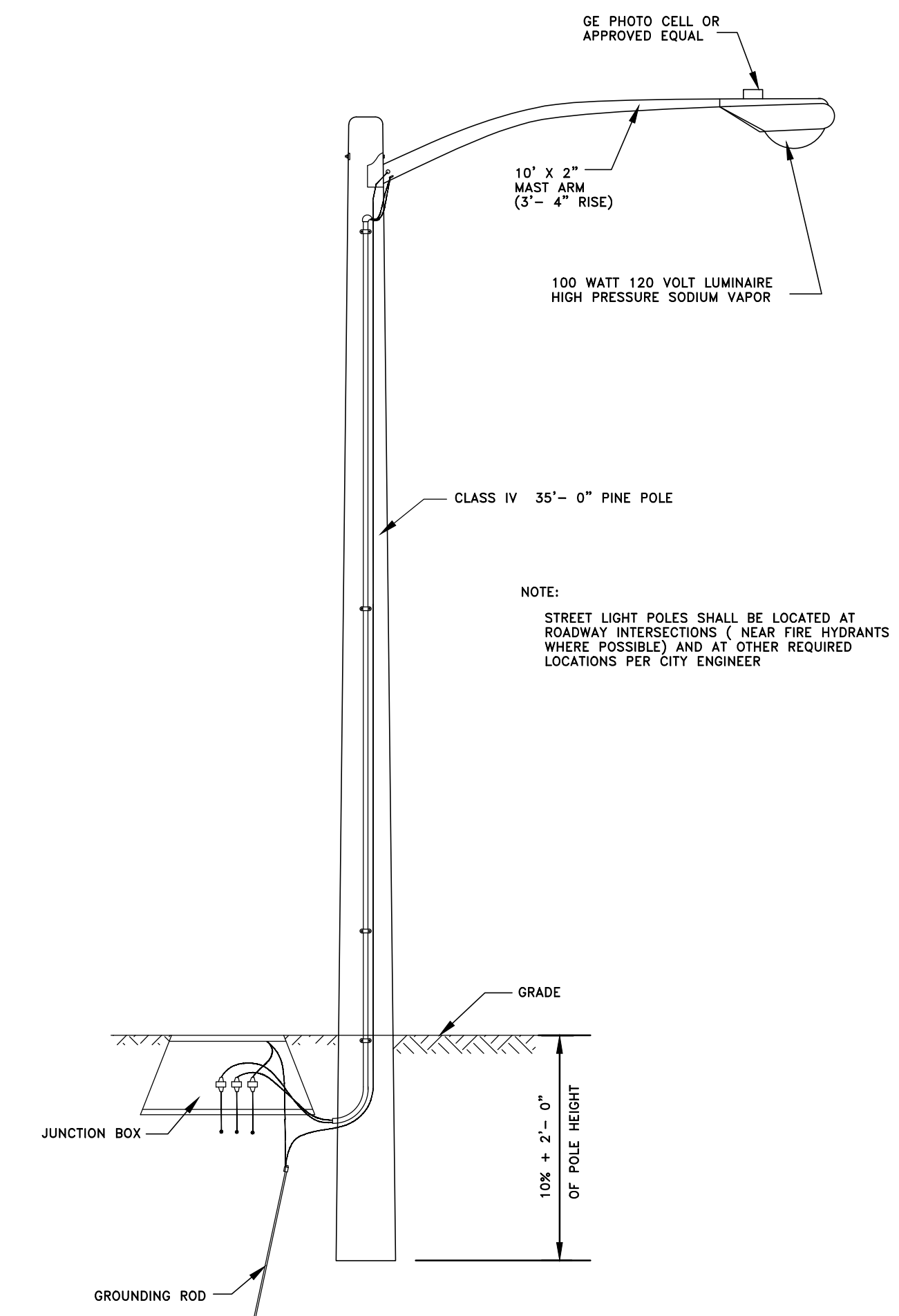
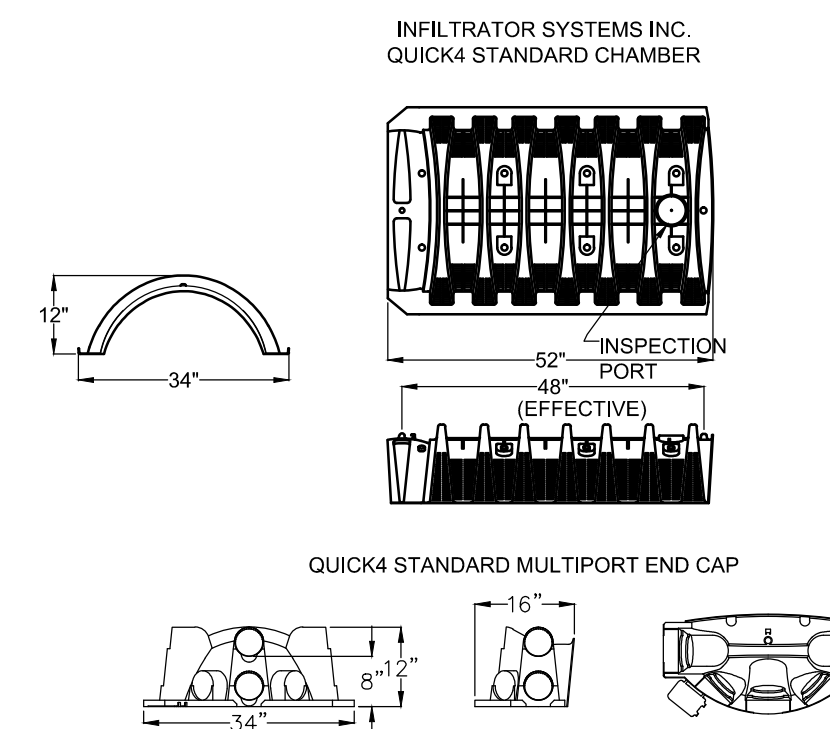


DECORATIVE LIGHT DETAIL

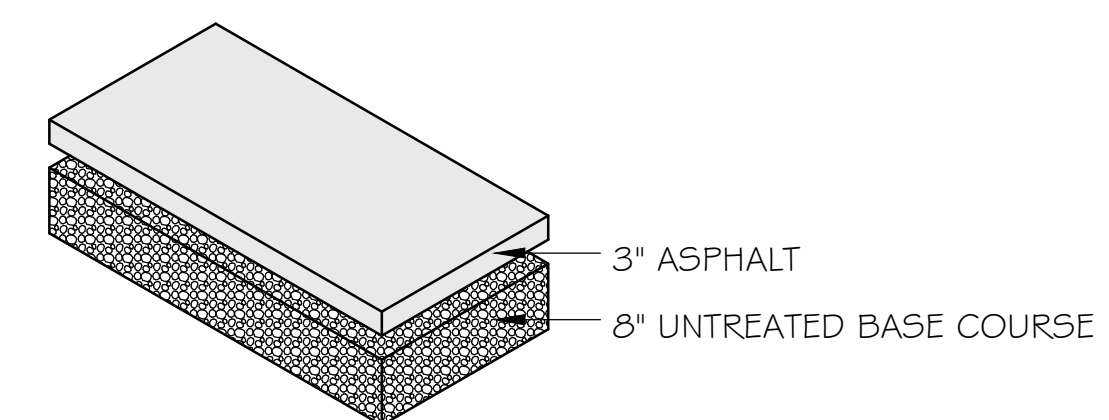
Notes:

1. Install approved septic tank.
2. Inlets and outlets shall meet the material and diameter requirements for building sewers and shall be tee-ed or baffled with the object of diverting incoming flow toward the tank bottom and minimizing as much as possible the discharge of sludge or scum in the effluent.
3. Inlets and outlets should be located at opposite ends of the tank. The invert of flow line of the inlet shall be located at least two inches (preferable three inches) above the invert of the outlet to allow for momentary rise in liquid level during discharge to the tank.
4. An inlet baffle or sanitary tee of wide sweep design shall be provided to divert the incoming sewage downward. This baffle or tee is to penetrate at least six inches below the liquid level, but the penetration is not to be greater than that allowed for the outlet device.
5. Outlet baffles or sanitary tees shall extend below the liquid surface a distance of approx 40 percent of the liquid depth.
6. All inlet and outlet devices shall be permanently fastened in a vertical, rigid position. Inlet and outlet pipe connections to the septic tank shall be sealed with a bonding compound that will adhere to the tank and pipes to for watertight connections, or watertight sealing rings.
7. Adequate access to the tank shall be provided to facilitate inspection and cleaning.

PRODUCT DETAIL EXAMPLE (NOT TO SCALE)



STREET LIGHT POLE DETAIL

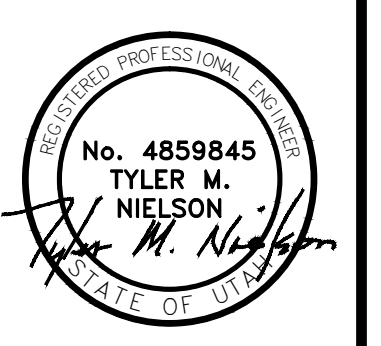


TYPICAL ON-SITE ASPHALT SECTION

NOTE: ALL CONSTRUCTION TO CONFORM TO WEBER COUNTY STANDARDS AND SPECIFICATIONS.

SCALE: NOT TO SCALE
DATE: AUGUST 2012
DESIGN: TMN/SCC
DRAWN: RC/SCC
CHECKED: TMN

REVISIONS	DESCRIPTION
DATE	



WOP WOM LLC
EDEN CENTER
DETAILS
EDEN CITY, WEBER COUNTY, UTAH

Gardner Engineering
PLANNING
CIVIL ENGINEERING
LAND SURVEYING
ALTERNATIVE ENERGY
5875 South Adams Ave. Parkway, Suite 200 • Ogden, UT 84405
• Phone (801) 476-0202 • Fax (801) 476-0066

5
5

DEVELOPER
WOP WOM, LLC.
ERIC SMITH
212 MERCHANT ST. #330
HONOLULU, HI 96813
PHONE: (808) 524-3551
FAX: (808) 524-8803