

# SUMMIT EDEN PHASE IC AMENDMENT 2

## AMENDING LOTS 87, 88, 89A, 89B, 90, 91, 92, 93, 94A, 94B, 95R, PARCELS F and M

THE NORTHEAST 1/4 OF SECTION 8, T. 7N., R. 2E., S18M.  
JANUARY 2016

LEGEND	
	BOUNDARY LINE
	LOT LINE
	SECTION LINE
	QUARTER SECTION LINE
	ADJOINER DEED LINES
	AREA TIE LINES
	NO ACCESS LINE
	STREET MONUMENTS TO BE CONSTRUCTED
	FOUND REBAR WITH PLASTIC CAP STAMPED "NOLTE ASSOC."
	EASEMENT

CURVE TABLE					
CURVE	LENGTH	RADIUS	DELTA	LONG CHORD	LENGTH
C1	236.11'	217.00'	62°52'11"	S 11°09'42" E	226.34'
C2	10.50'	93.00'	6°28'13"	N 85°04'34" W	10.50'
C3	22.33'	18.00'	71°04'31"	N 52°46'24" W	20.92'
C4	22.70'	132.00'	9°51'18"	N 12°18'30" W	22.68'
C5	192.07'	143.00'	76°57'26"	N 45°51'33" W	177.96'
C6	193.20'	125.00'	88°33'19"	N 51°39'30" W	174.53'
C7	25.80'	150.00'	9°51'18"	S 12°18'30" E	25.77'
C8	16.74'	75.00'	12°47'11"	S 66°22'16" W	16.70'
C9	29.35'	75.00'	22°25'32"	N 83°58'37" E	29.17'
C10	19.15'	75.00'	14°37'59"	S 77°29'38" E	19.10'
C11	155.51'	217.00'	41°03'36"	S 63°07'35" E	152.20'

LINE TABLE		
LINE	LENGTH	DIRECTION
L1	0.59'	N 17°14'09" W
L2	12.59'	S 17°14'09" E
L3	18.00'	S 17°14'09" E
L4	14.09'	S 69°45'32" E

WEST QUARTER CORNER SECTION 5, TOWNSHIP 7 NORTH, RANGE 2 EAST SALT LAKE BASE AND MERIDIAN FOUND 1941 GLO BRASS CAP

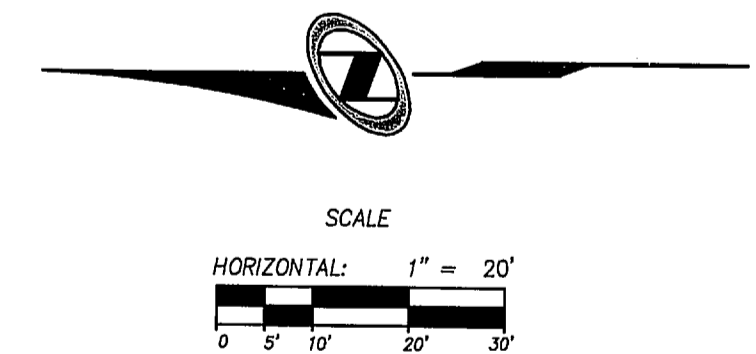
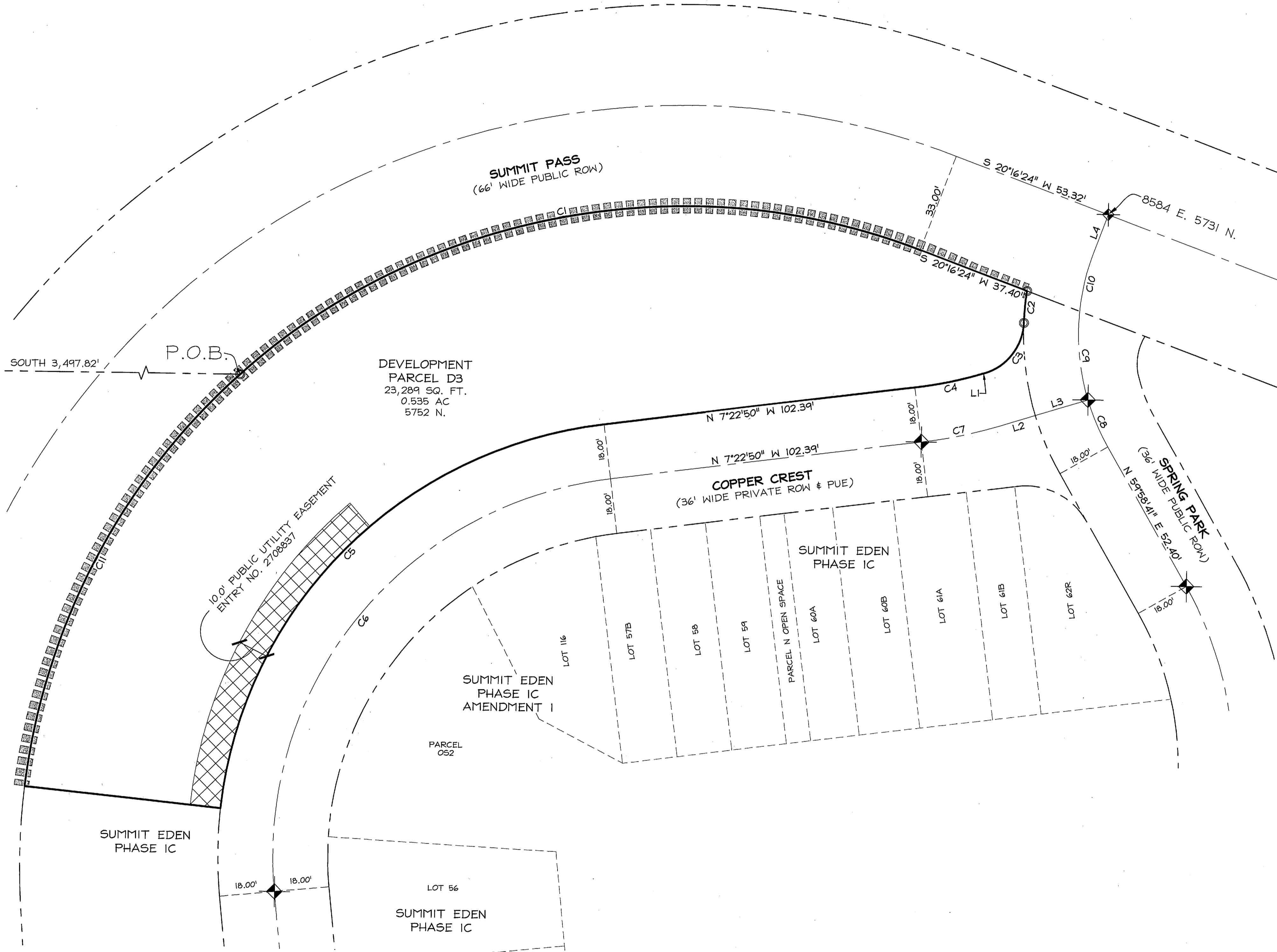
NORTHEAST CORNER SECTION 6, TOWNSHIP 7 NORTH, RANGE 2 EAST SALT LAKE BASE AND MERIDIAN FOUND 1944 GLO BRASS CAP, GOOD CONDITION (CLOSING CORNER 17.68' SOUTH)

NORTHEAST CORNER SECTION 1, TOWNSHIP 7 NORTH, RANGE 1 EAST SALT LAKE BASE AND MERIDIAN FOUND GLO 1944 BRASS CAP, GOOD CONDITION

STATE PLANE GRID PER WEBER COUNTY SURVEY OFFICE  
BASIS OF BEARINGS  
N 89°55'51" W 1381.07'  
(N 89°56'05" W 1380.98' RECORD)

FOUND WEBER COUNTY LINE MONUMENT PER WEBER COUNTY SURVEYOR 2013, GOOD CONDITION

**OWNER**  
SMHG PHASE I, LLC  
3632 N. WOLF CREEK DR.  
EDEN, UT 84310



SEE RECORD OF SURVEY # 539796

Sheet **2** of 2

**N/V5**  
NOLTE VERTICAL FIVE

5217 SOUTH STATE STREET, SUITE 300 MURRAY, UT 84107  
801.743.1300 TEL. 801.743.0300 FAX WWW.NOLTE.COM

RECORDED #  
STATE OF UTAH, COUNTY OF WEBER, RECORDED AND FILED AT THE  
REQUEST OF: SMHG  
ENTRY NO: 2776994  
DATE: 17-FEB-14 TIME: 10:41  
BOOK: 78 PAGE: 77  
FEE \$ \$100.00

LEANN H KILTS  
WEBER COUNTY RECORDER

2014-1-16 NONE AMENDMENT 2 2015-07-27.DWG N:\S\18703\18703\CADD\PHASE 1 PLAT AMENDMENTS\PHASE IC AMENDMENT 2\SURVEY PLATS\FINAL S102