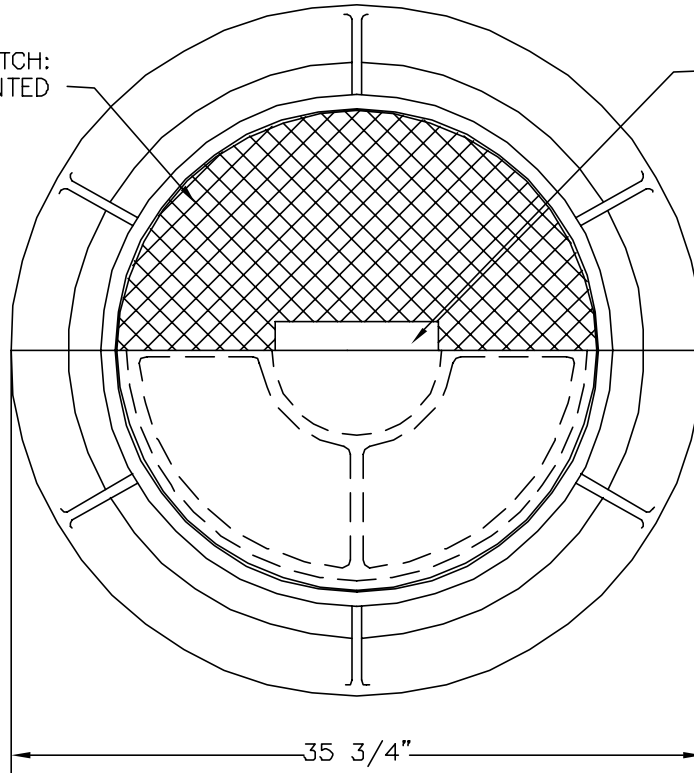
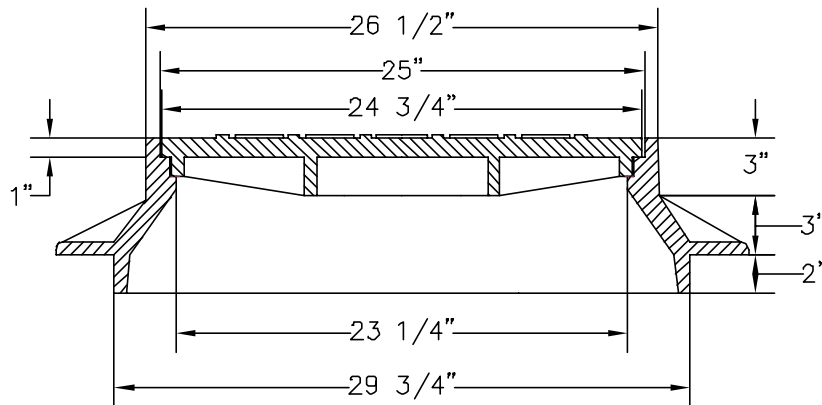


CROSSHATCH:
SOLID OR VENTED



LETTERING AS REQ'D:
 "COMMUNICATIONS"
 "ELECTRIC"
 "IRRIGATION"
 "SEWER"
 "STORM DRAIN"
 "WATER"
 "COTTONWOOD SEWER"
 "NORTH DAVIS SEWER"
 "OGDEN SEWER"
 "OGDEN STORM"
 "SARATOGA SPRINGS SEWER"
 "SARATOGA SPRINGS STORM
 DRAIN"
 "SLSSDI SEWER"
 "SOUTH DAVIS SEWER"
 "SOUTH VALLEY SEWER"
 "ST. GEORGE SEWER"
 "ST. GEORGE STORM DRAIN"
 "TAYLORSVILLE-BENNION"
 "WEST JORDAN CITY SEWER"
 "WEST JORDAN STORM"
 "WEST JORDAN WATER"



NOTES:

OLYMPIC FOUNDRY INC.

REF #: A-1180

MATL: CAST IRON ASTM A48 CL30

RATING: H-20 | PART NO. MHU-1060

APPROX WT: RING-202 LBS, COVER-165 LBS.

REV: A DATE: 1/18/06 NEW BORDER

DOCUMENT APPROVED
BY: DATE:

DWN: CM DATE: 01/18/06

TOLERANCE
XX ± .1
XXX ± .06
XXXX ± .03D
< ± .2 DEG

REV: X DATE: XX/XX/XX DSC:

REV
A

CHKD: KR DATE: 01/18/06

DWG #: MHU-1060, A-1180

SCALE: N/A

SHEET: 1 OF 1