

Street Section (60' R.O.W.)
SCALE: NONE

NOTE: THESE PAVEMENT THICKNESSES SHALL BE CONSIDERED AS MINIMUMS AND MAY BE INCREASED BY THE COUNTY ENGINEER WHEN SUBGRADE C.B.R. IS LESS THAN 10 OR WHEN A GREATER DEPTH IS NECESSARY TO PROVIDE SUFFICIENT STABILITY. DESIGNER MAY SUBMIT AN ALTERNATIVE PAVEMENT DESIGN BASED ON A DETAILED SOILS ANALYSIS FOR

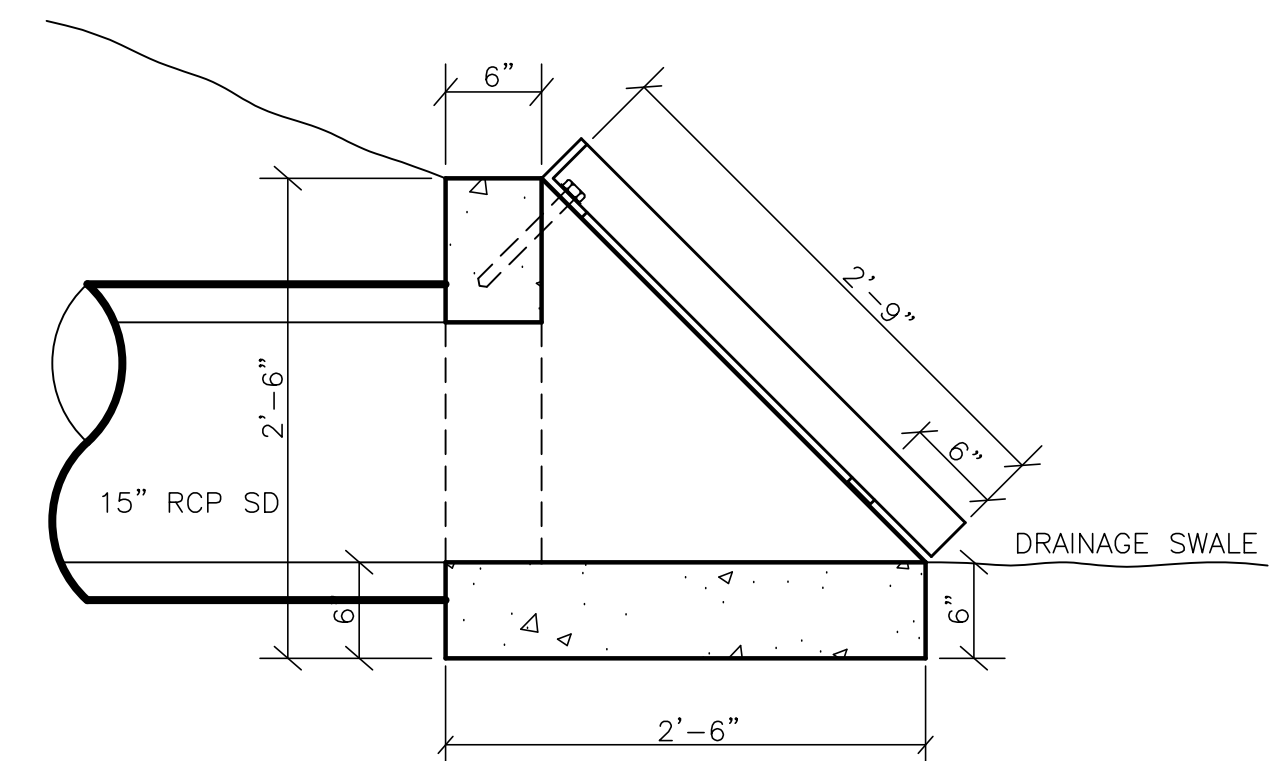
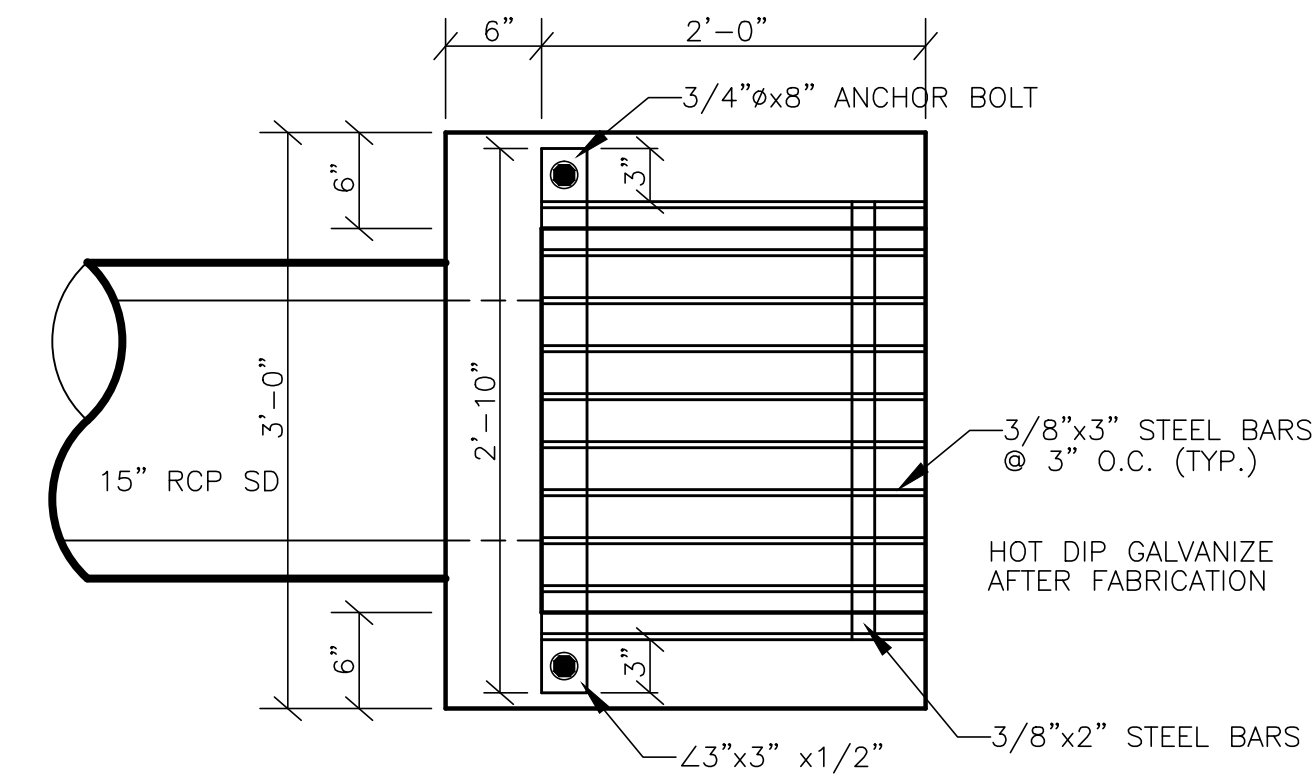
- W— = PROPOSED CULINARY WATER LINE
- EX.W— = EXISTING CULINARY WATER LINE
- SS— = PROPOSED SANITARY SEWER LINE
- EX.SS— = EXISTING SANITARY SEWER LINE
- SD— = PROPOSED STORM DRAIN LINE
- EX.SD— = EXISTING STORM DRAIN LINE
- LD— = PROPOSED LAND DRAIN LINE
- EX.LD— = EXISTING LAND DRAIN LINE
- SW— = PROPOSED SECONDARY WATER LINE
- EX.SW— = EXISTING SECONDARY WATER LINE
- IRR— = PROPOSED IRRIGATION LINE
- EX.IRR— = EXISTING IRRIGATION LINE
- OHP— = EXISTING OVERHEAD POWER LINE
- TEL— = EXISTING TELEPHONE LINE
- GAS— = EXISTING NATURAL GAS LINE
- = EXISTING EDGE OF PAVEMENT
- X X X = FENCE LINE
- — — = MASONRY BLOCK/RETAINING WALL
- — — = DITCH/SWALE FLOWLINE
- = PROPOSED FIRE HYDRANT
- = EXISTING FIRE HYDRANT
- = PROPOSED MANHOLE
- = EXISTING MANHOLE
- = PROPOSED SEWER CLEAN-OUT
- X = PROPOSED GATE VALVE
- X = EXISTING GATE VALVE
- = PROPOSED WATER METER
- = EXISTING WATER METER
- = PROPOSED CATCH BASIN

Legend

- = EXISTING CATCH BASIN
- = EXISTING SPRINKLER
- ⊕ = FLUG W/ 2" BLOW-OFF
- = AIR-VAC ASSEMBLY
- ▼ = PROPOSED REDUCER
- ⊥ = FLUG & BLOCK
- = STREET LIGHT
- ⊥ = SIGN
- BLDG = BUILDING
- BVC = BEGIN VERTICAL CURVE
- C&G = CURB & GUTTER
- CB = CATCH BASIN
- C.F. = CUBIC FEET
- C.F.S. = CUBIC FEET PER SECOND
- CL = CENTERLINE
- DI = DUCTILE IRON
- EP = EDGE OF PAVEMENT
- EVC = END VERTICAL CURVE
- FC = FENCE CORNER
- FF = FINISH FLOOR
- FFE = FINISH FLOOR ELEVATION
- FG = FINISHED GRADE
- FH = FIRE HYDRANT
- FL = FLOW LINE
- GB = GRADE BREAK
- HDPE = HIGH DENSITY POLYETHYLENE PIPE
- INV = INVERT
- IRR = IRRIGATION
- LD = LAND DRAIN
- L.F. = LINEAR FEET
- NG = NATURAL GRADE
- O.C. = ON CENTER
- PC = POINT OF CURVE
- PRC = POINT OF REVERSE CURVE
- PT = POINT OF TANGENT
- PP = POWER/UTILITY POLE
- P.U.E. = PUBLIC UTILITY BASEMENT
- R/C = REBAR & CAP
- RCB = REINFORCED CONCRETE BOX
- RCP = REINFORCED CONCRETE PIPE
- RIM = RIM OF MANHOLE
- R.O.W. = RIGHT-OF-WAY
- SD = STORM DRAIN
- SS = DUCTILE IRON
- SW = SECONDARY WATER
- TBC = TOP BACK OF CURB
- TOE = TOE OF SLOPE
- TOP = TOP OF SLOPE
- TOW = TOP OF WALL
- TSW = TOP OF SIDEWALK
- VPI = VERTICAL POINT OF INTERSECT.
- W = CULINARY WATER
- WM = WATER METER
- = NEW PAVEMENT
- = NEW CONCRETE

General Notes

- ALL CONSTRUCTION ON THIS PROJECT SHALL CONFORM TO THE DEVELOPMENT STANDARDS OF WEBER COUNTY AND THE STANDARD DRAWINGS CONTAINED THEREIN. WEBER COUNTY PUBLIC WORKS REQUIREMENTS SHALL BE MET.
- THE LOCATION OF EXISTING UTILITIES SHOWN ARE APPROXIMATE ONLY AND THE CONTRACTOR SHALL VERIFY THE LOCATION AND ELEVATION OF ALL UTILITIES SHOWN OR NOT SHOWN ON THESE PLANS.
- THE STREET STRUCTURAL CROSS SECTION IS PER WEBER COUNTY DETAILS CONTAINED WITHIN THESE PLANS.
- WATER LINE PIPE SHALL BE PVC C-900 CLASS 200. WASHOUT ASSEMBLIES SHALL CONSIST OF A KUPFERLE FOUNDRY CO. 2" BLOW-OFF HYDRANT (OR COUNTY-APPROVED EQUIV.).
- SECONDARY WATER LINE SHALL BE PVC C-900 CLASS 200. ALL SECONDARY WATER VALVE LIDS SHALL BE STAMPED "IRRIGATION".



15' Inlet w/Grate
SCALE: 1"=1'

Reeve & Associates, Inc.
4155 S. HARRISON BLVD., SUITE 110, OGDEN, UTAH 84403
TEL: (801) 621-3100 FAX: (801) 621-2668 www.reeve-assoc.com
LAND PLANNERS • CIVIL ENGINEERS • LAND SURVEYORS
TRAFFIC ENGINEERS • STRUCTURAL ENGINEERS • LANDSCAPE ARCHITECTS

| REVISIONS | DATE | DESCRIPTION |
|-----------|------|-----------------|
| 4-14-11 | RH | County Comments |
| 6-15-11 | RH | County Comments |
| 9-29-11 | RH | County Comments |
| 6-29-12 | RH | County Comments |

Fenster Farm Subdivision Phase-1
WARREN, WEBER COUNTY, UTAH
Street Cross-Sections/ Master Legend/Notes



Project Info.
Engineer: J. NATE REEVE, P.E.
Drafted: R. HANSEN
Begin Date: MARCH 16, 2011
Name: FENSTER FARM SUBDIVISION PHASE-1
Number: 1714-26

| | |
|----------|----------|
| Sheet | 6 |
| 2 | Sheets |