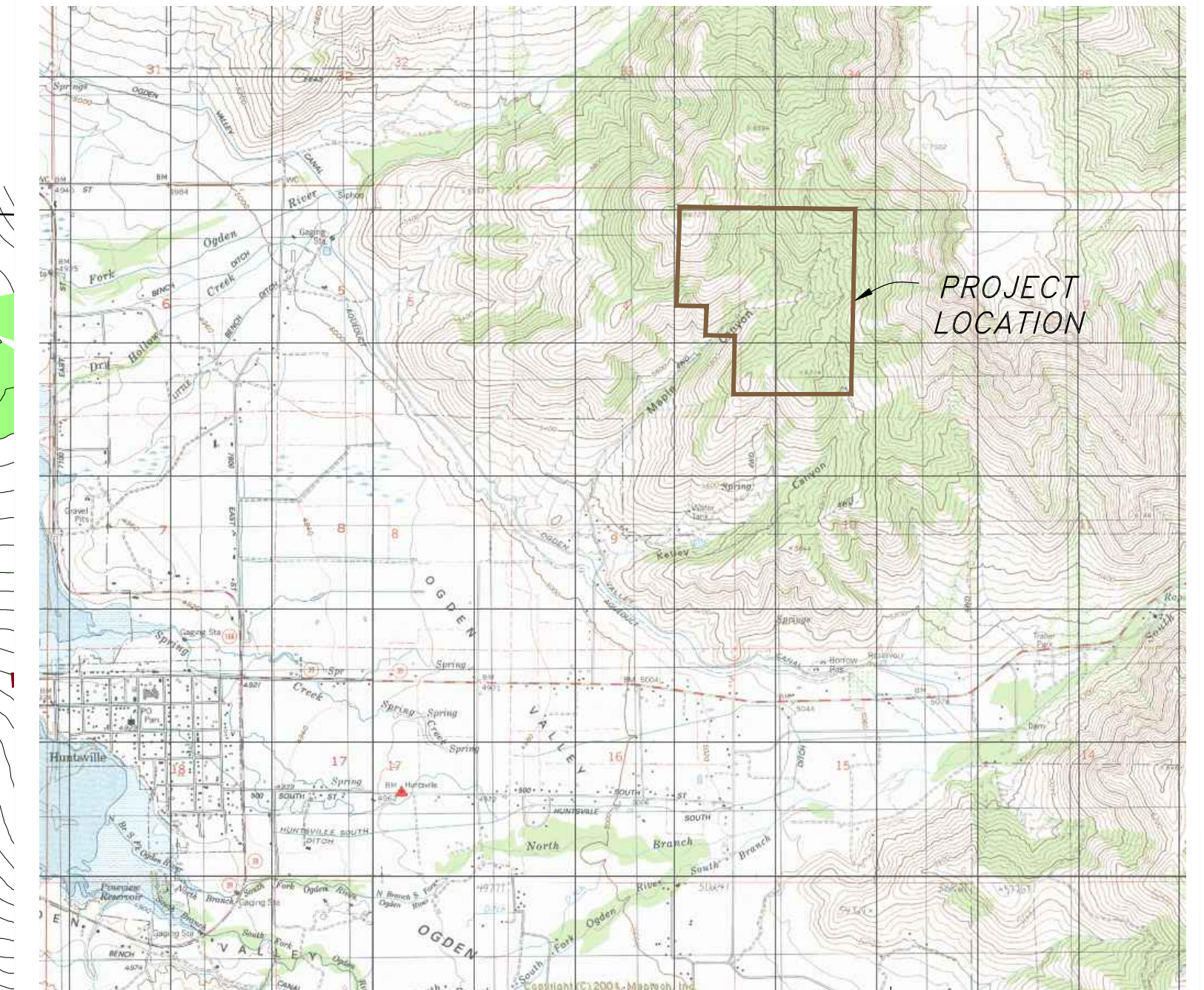


THE SANCTUARY

HUNTSVILLE, WEBER COUNTY, UTAH

MIDDLEFORK RANCH LLC



VICINITY MAP
NOT TO SCALE

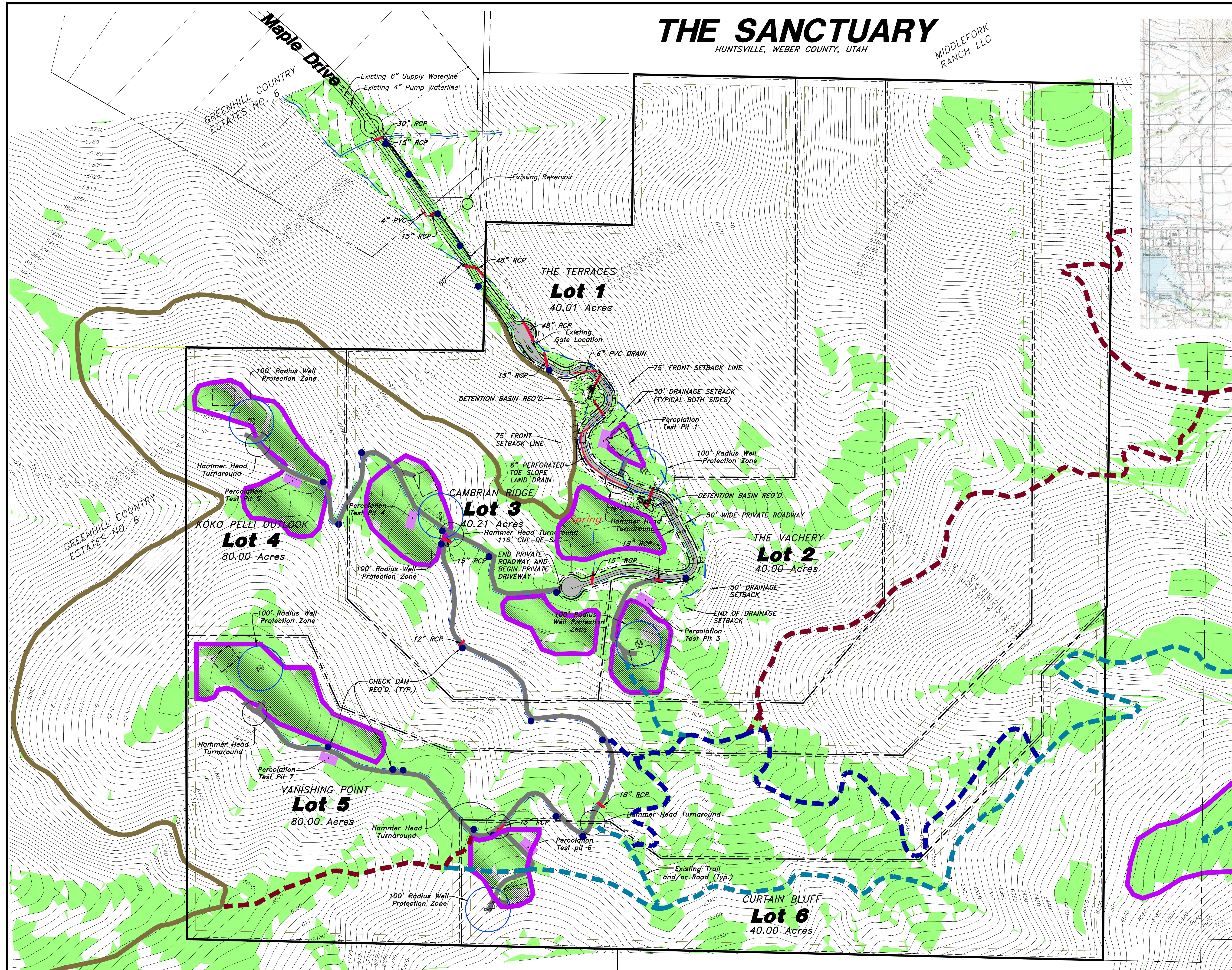
LEGEND:

- 50' Private Roadway
- 50' Private Driveway Easement
- Exist. 12' wide Green Hills Loop Trail
- Exist. Trail or Road
- Winter Habitat Protected Trail (Motorized Vehicles Prohibited from Jan. 1st to Apr. 7th)
- Proposed 12' wide Equestrian/Nordic Trail
- 100' Minimum Building Envelope (75'x100')
- Limited Building Area (Less than 25% slope)
- Area Less than 25% slope
- Building Setbacks: Front = 75' min. Side = 40' min. Rear = 30' min.
- Well Site & 100' Radius Protection Zone
- Septic Site
- Check Dam



Scale: 1" = 200'
0 200 400
Scale in Feet

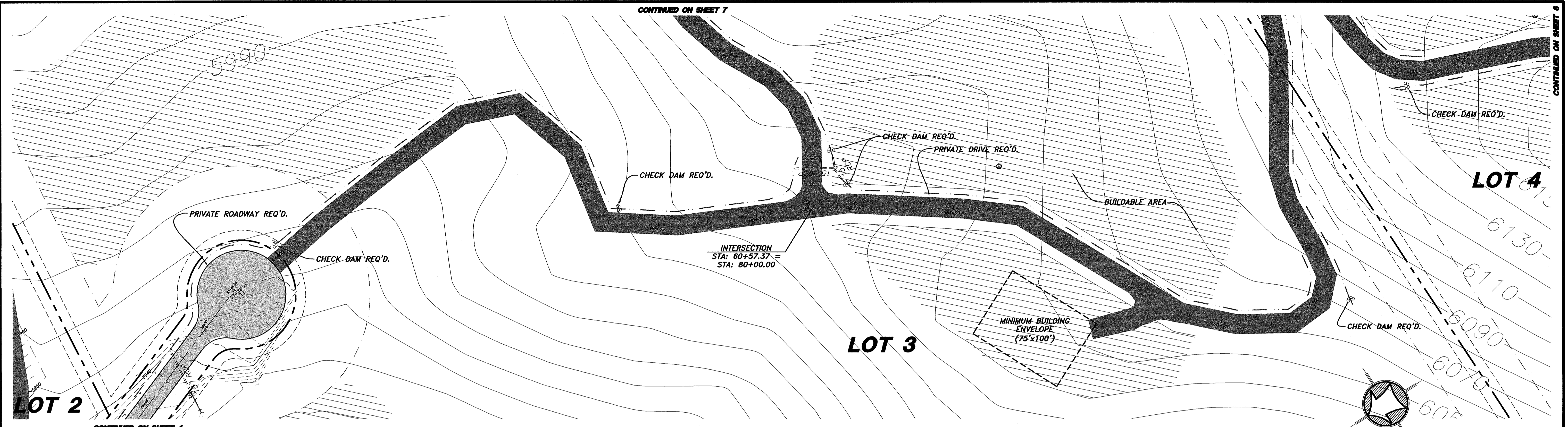
HANSEN & ASSOCIATES, INC.
Consulting Engineers and Land Surveyors
538 North Main Brigham City, Utah 84302
67 East 100 North Logan, Utah 84321
Brigham City Logan
(435) 723-3491 Ogden (435) 752-9197
(435) 723-7663 (801) 399-4905 (435) 752-8272



H:\2007\07-129 Sanctuary Drawings\07-129PP REV 2-8-2013 V12.dwg, 3/11/2013 9:37:34 AM

CONTINUED ON SHEET 7

CONTINUED ON SHEET 9



LOT 2

LOT 3

LOT 4

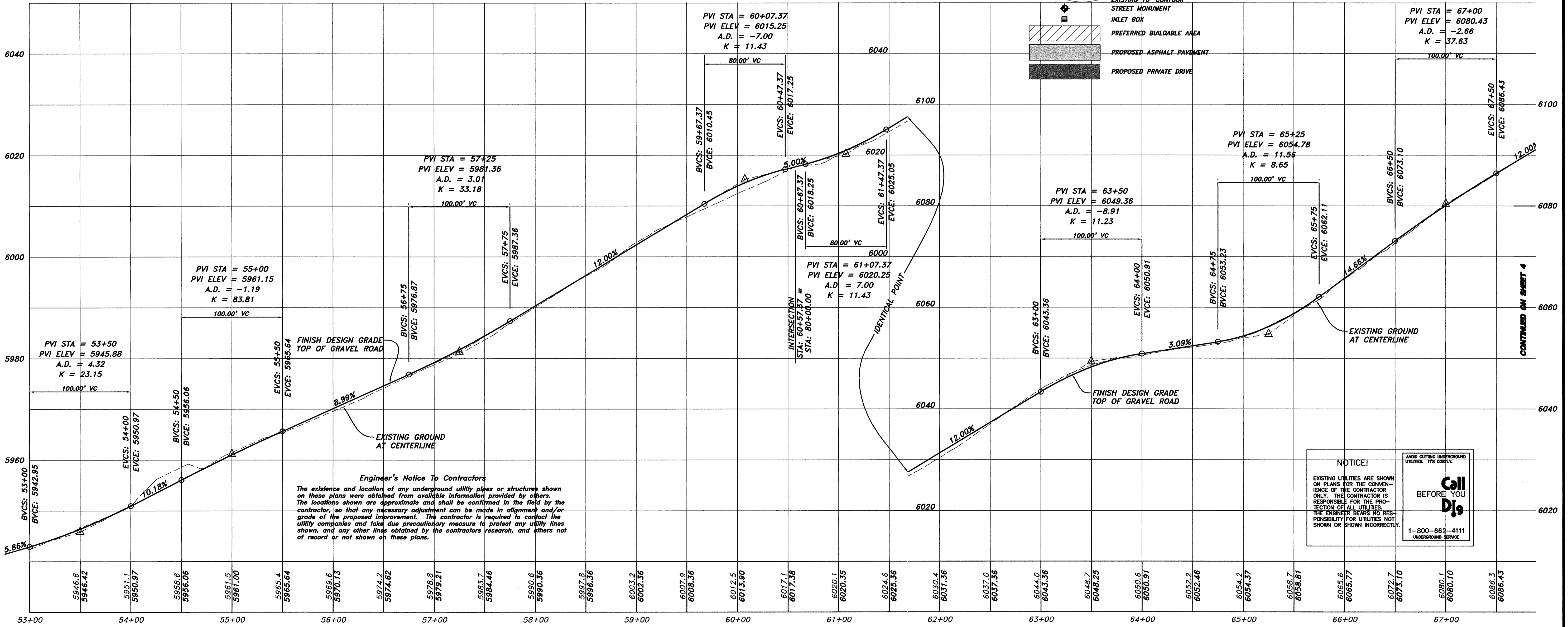
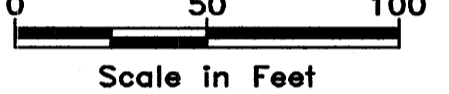
CONTINUED ON SHEET 4

NOTE:
ROUGH GRADING, INSTALLATION OF GRANULAR BORROW, RETAINING WALLS AND STORM DRAIN PIPING LABELED AS EXISTING HAVE BEEN INSTALLED AS PART OF THIS PROJECT.

LEGEND:

- PROPERTY BOUNDARY LINE
- LOT LINE
- CENTERLINE
- EASEMENT
- BUILDING SETBACK
- STORM DRAIN PIPE
- LAND DRAIN PIPE
- EXISTING 10' CONTOUR
- STREET MONUMENT
- INLET BOX
- PREFERRED BUILDABLE AREA
- PROPOSED ASPHALT PAVEMENT
- PROPOSED PRIVATE DRIVE

SCALE: 1" = 50' HORIZ.
1" = 10' VERT.



Engineer's Notice To Contractors
The existence and location of any underground utility pipes or structures shown on these plans were obtained from available information provided by others. The locations shown are approximate and shall be confirmed in the field by the contractor, so that any necessary adjustment can be made in alignment and/or grade of the proposed improvement. The contractor is required to contact the utility companies and take due precautionary measure to protect any utility lines shown, and any other lines obtained by the contractors research, and others not of record or not shown on these plans.

NOTICE!
EXISTING UTILITIES ARE SHOWN ON PLANS FOR THE CONVENIENCE OF THE CONTRACTOR ONLY. THE CONTRACTOR IS RESPONSIBLE FOR THE PROTECTION OF ALL UTILITIES. THE ENGINEER BEARS NO RESPONSIBILITY FOR UTILITIES NOT SHOWN OR SHOWN INCORRECTLY.

Call 811 BEFORE YOU DIG
1-800-862-4111
UNDERGROUND SERVICE

DESIGNED BY: MBL Date: 9/29/2010
 CHECKED BY: MBL
 APPROVED BY: [Signature]
 Scale: 1"=50' HORIZ. 1"=10' VERT.
 Drawing File: 07-128PP.dwg
 JOB NUMBER: 07-129

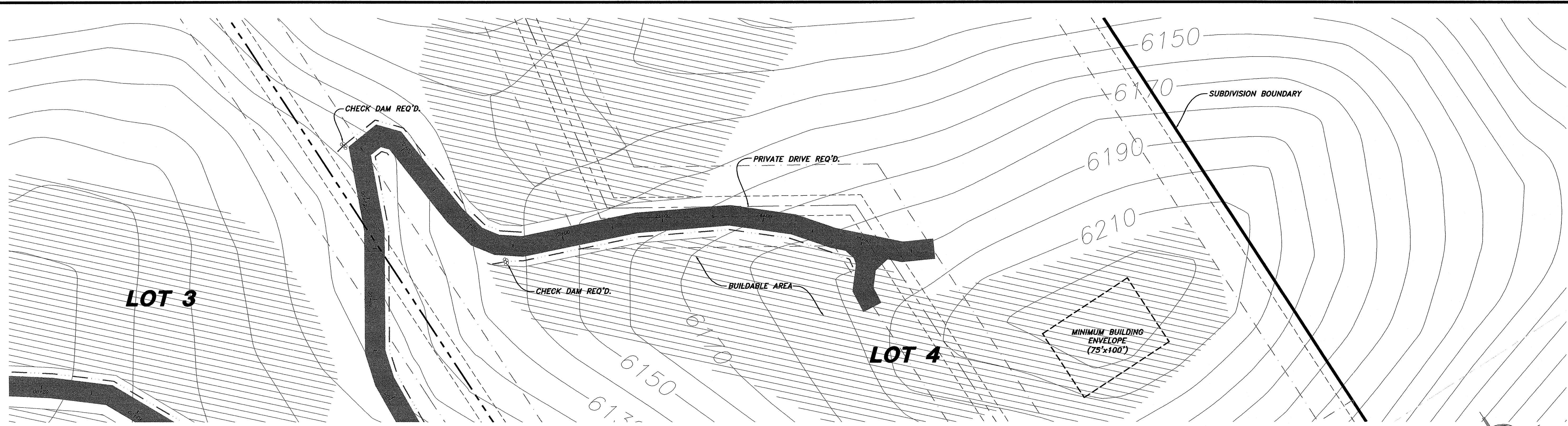
HANSEN & ASSOCIATES, INC.
 Consulting Engineers and Land Surveyors
 538 North Main
 87 East 100 North
 Brigham City, Utah 84302
 Logan, Utah 84321
 Ogden (435) 752-9197
 (435) 723-3491
 (801) 399-4905 (801) 723-3663

PROFESSIONAL ENGINEER
 No. 2768
 MATTIE R. HANSEN
 STATE OF UTAH

PLAN & PROFILE FOR
THE SANCTUARY
 A PART OF SECTION 3 & 4, T6N, R2E, AND
 A PART OF SECTION 34, T7N, R2E, S16&W
 WEBER COUNTY, UTAH

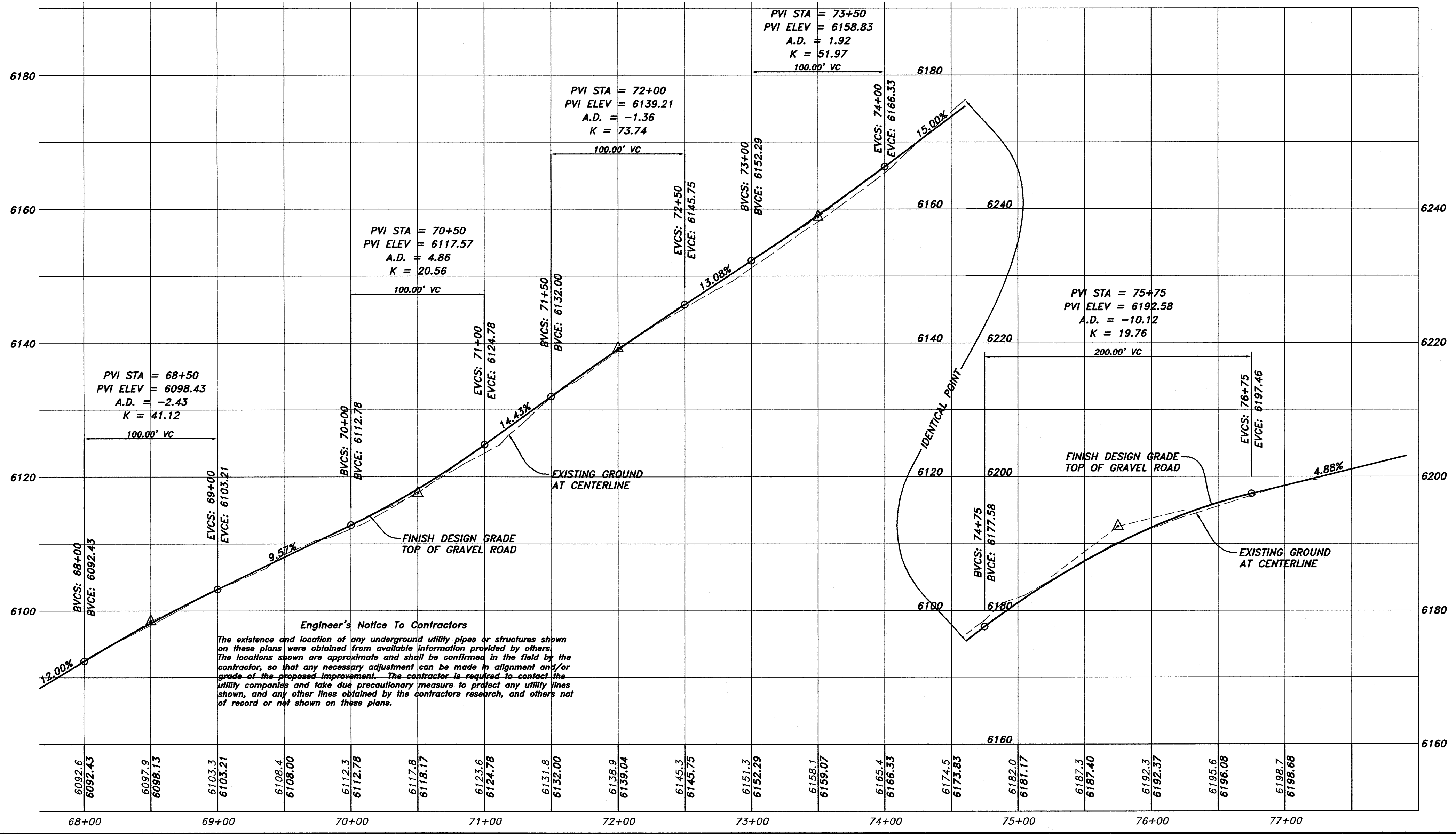
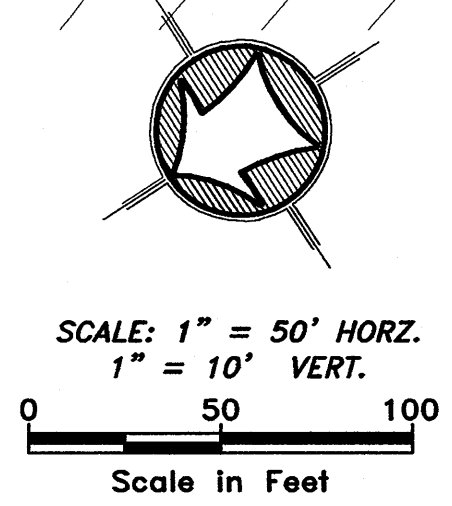
SHEET
5
 OF
10
 SHEETS

N:\2007\07-129 Sanctuary\Drawings\07-128PP REV 10-24-2012 V12.dwg, 11/15/2012 5:09:19 PM



CONTINUED ON SHEET 5

NOTE:
ROUGH GRADING, INSTALLATION OF GRANULAR BORROW, RETAINING WALLS AND STORM DRAIN PIPING LABELED AS EXISTING HAVE BEEN INSTALLED AS PART OF THIS PROJECT.



Engineer's Notice To Contractors
The existence and location of any underground utility pipes or structures shown on these plans were obtained from available information provided by others. The locations shown are approximate and shall be confirmed in the field by the contractor, so that any necessary adjustment can be made in alignment and/or grade of the proposed improvement. The contractor is required to contact the utility companies and take due precautionary measure to protect any utility lines shown, and any other lines obtained by the contractor's research, and others not of record or not shown on these plans.

LEGEND:

- PROPERTY BOUNDARY LINE
- LOT LINE
- CENTERLINE
- EASEMENT
- BUILDING SETBACK
- STORM DRAIN PIPE
- LAND DRAIN PIPE
- EXISTING 10' CONTOUR
- STREET MONUMENT
- INLET BOX
- PREFERRED BUILDABLE AREA
- PROPOSED ASPHALT PAVEMENT
- PROPOSED PRIVATE DRIVE

NOTICE!
EXISTING UTILITIES ARE SHOWN ON PLANS FOR THE CONVENIENCE OF THE CONTRACTOR ONLY. THE CONTRACTOR IS RESPONSIBLE FOR THE PROTECTION OF ALL UTILITIES. THE ENGINEER BEARS NO RESPONSIBILITY FOR UTILITIES NOT SHOWN OR SHOWN INCORRECTLY.

Call Djs
BEFORE YOU
UNDERGROUND SERVICE

1-800-662-4111

Drawn By: MBL Date: 9/29/2010
Designed By: MBL
Checked By: MBL
Approved By: MBL
Scale: 1"=50' HORZ. 1"=10' VERT.
Drawing File: 07-129PR.dwg
JOB NUMBER: 07-129

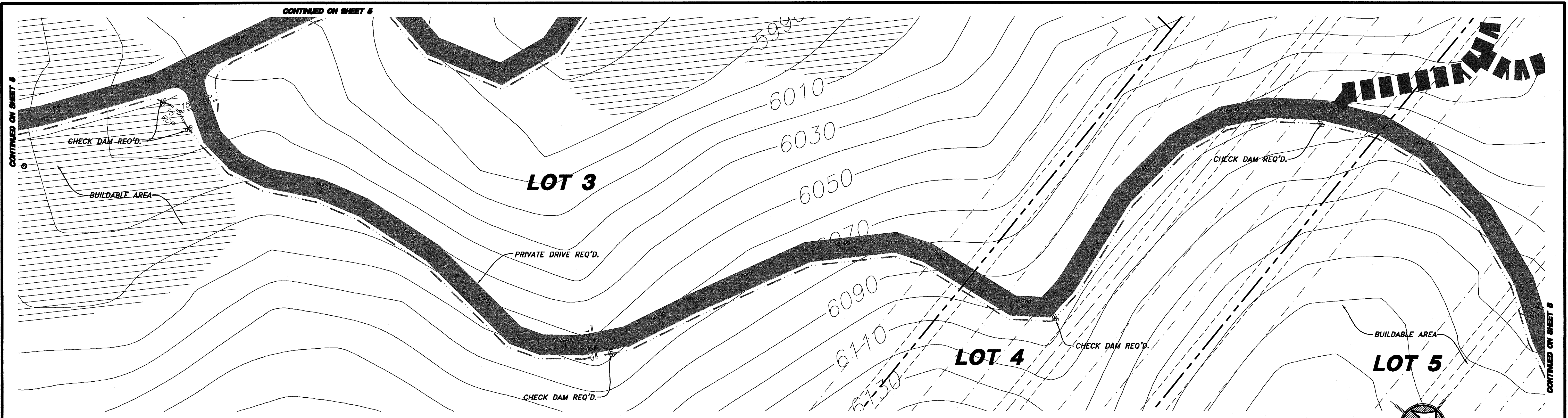
HANSEN & ASSOCIATES, INC.
Consulting Engineers and Land Surveyors
538 North Main
87 East 100 North
Brigham City, Utah 84302
Logan, Utah 84321
Ogden (435) 399-4905
Brigham City (435) 723-3491
Weber County (801) 399-4905 (435) 723-7663

PROFESSIONAL ENGINEER
No. 11719
Date 7/19/2012
MBL
Revised Drawing per W.C. Engineer review

PLAN & PROFILE FOR
THE SANCTUARY
A PART OF SECTION 3 & 4, T6N, R2E, AND
A PART OF SECTION 34, T7N, R2E, S1&B&M
WEBER COUNTY, UTAH

SHEET
6
OF
10
SHEETS

N:\2007\07-129 Sanctuery\Drawings\07-129PR REV 10-24-2012 V12.dwg, 11/15/2012 2:41:55 PM



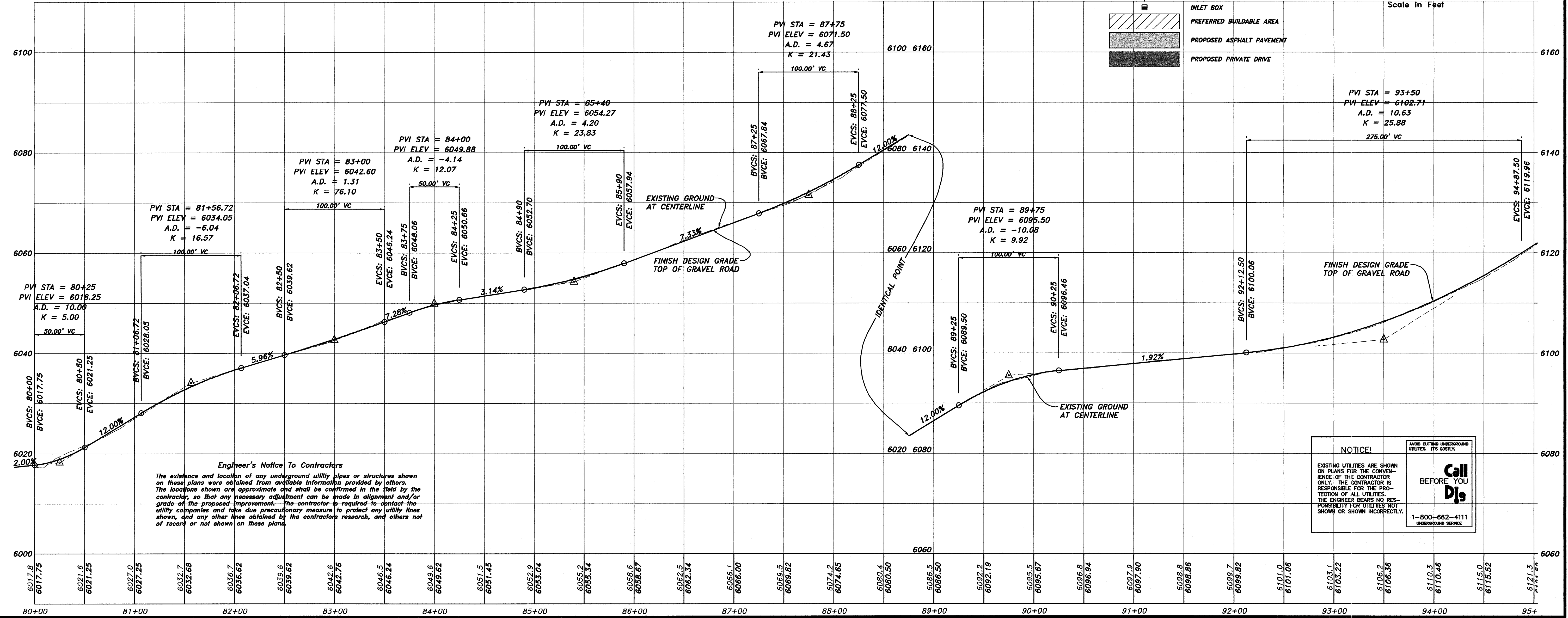
NOTE:
ROUGH GRADING, INSTALLATION OF GRANULAR BORROW, RETAINING WALLS AND STORM DRAIN PIPING LABELED AS EXISTING HAVE BEEN INSTALLED AS PART OF THIS PROJECT.

LEGEND:

- PROPERTY BOUNDARY LINE
- LOT LINE
- CENTERLINE
- EASEMENT
- BUILDING SETBACK
- STORM DRAIN PIPE
- LAND DRAIN PIPE
- EXISTING 10' CONTOUR
- STREET MONUMENT
- INLET BOX
- PREFERRED BUILDABLE AREA
- PROPOSED ASPHALT PAVEMENT
- PROPOSED PRIVATE DRIVE

SCALE: 1" = 50' HORZ.
1" = 10' VERT.

Scale in Feet
0 50 100



Engineer's Notice To Contractors
The existence and location of any underground utility pipes or structures shown on these plans were obtained from available information provided by others. The locations shown are approximate and shall be confirmed in the field by the contractor, so that any necessary adjustment can be made in alignment and/or grade of the proposed improvement. The contractor is required to contact the utility companies and take due precautionary measure to protect any utility lines shown, and any other lines obtained by the contractor's research, and others not of record or not shown on these plans.

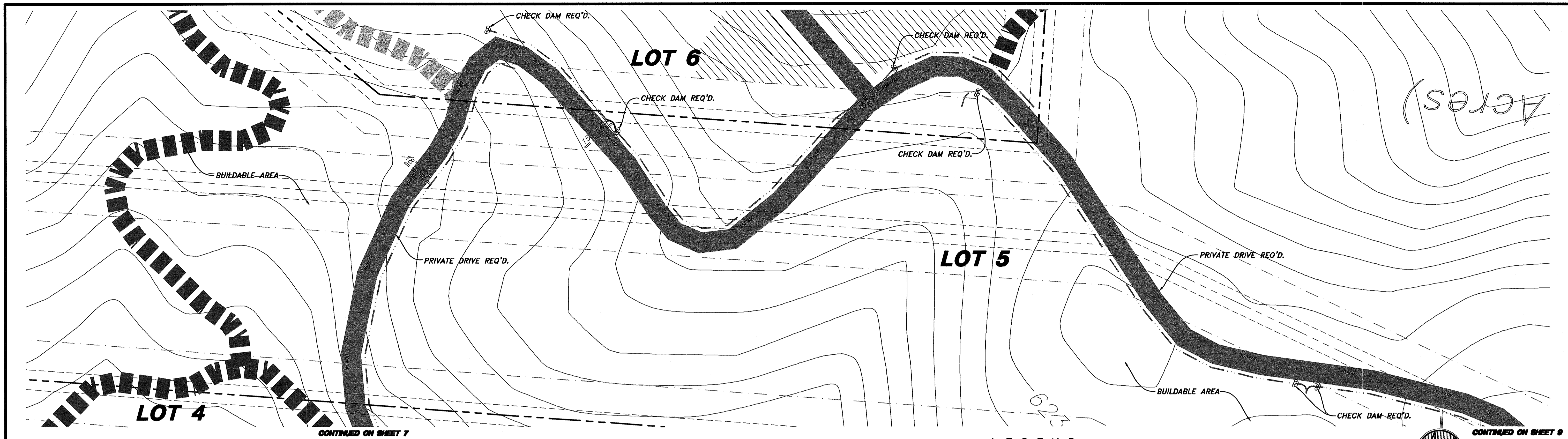
DESIGNED BY: MBI
CHECKED BY: MBI
DATE: 9/29/2010

HANSEN & ASSOCIATES, INC.
Consulting Engineers and Land Surveyors
538 North Main
67 East 100 North
Brigham City, Utah 84302
Logan, Utah 84321
Ogden, Utah 84403
(435) 752-9197
(435) 723-3491
(435) 723-7663
(801) 399-4905

Revised drawing per W.C. Engineer review
Date
By
No.

PLAN & PROFILE FOR
THE SANCTUARY
A PART OF SECTION 3 & 4, T6N, R2E, AND
A PART OF SECTION 34, T7N, R2E, S1E&M
WEBER COUNTY, UTAH

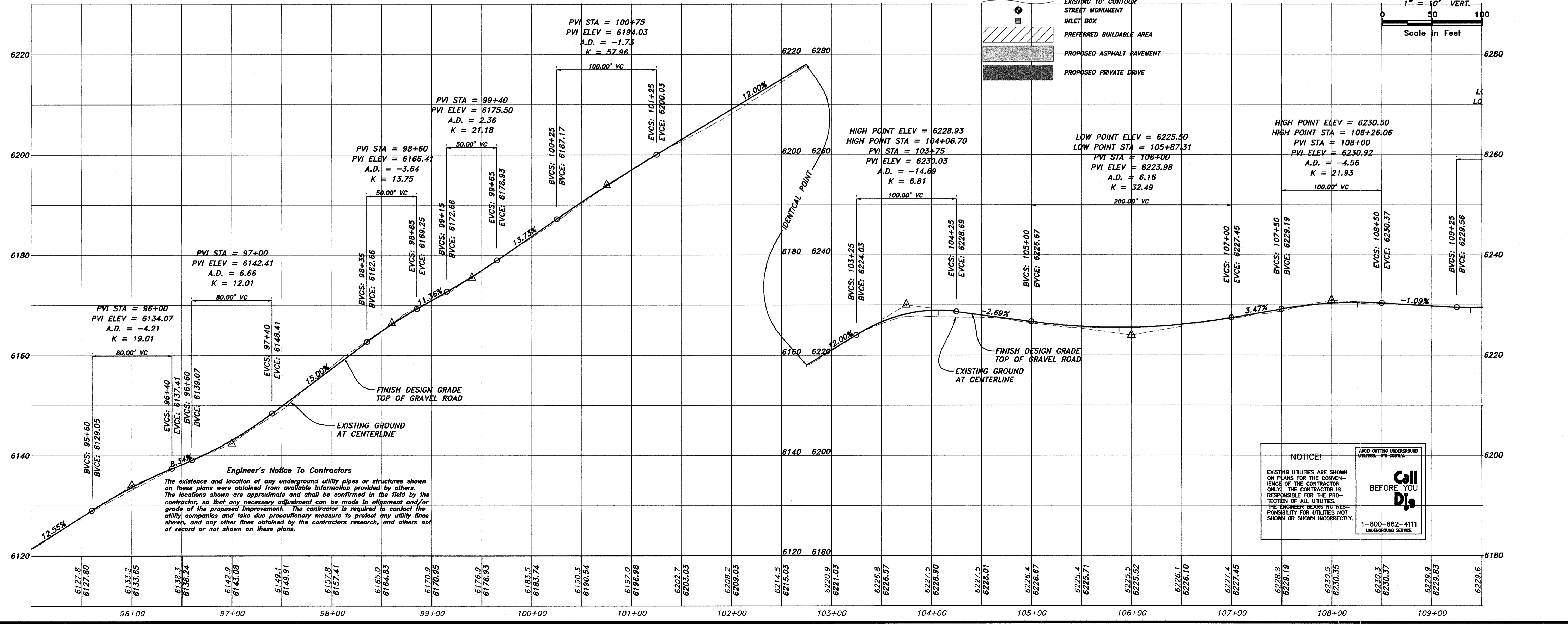
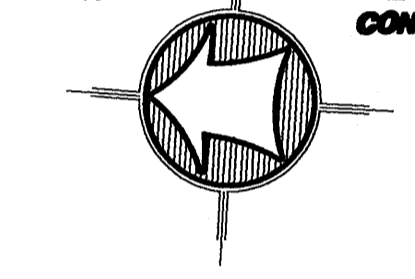
SHEET
7
OF
10
SHEETS



NOTE:
ROUGH GRADING, INSTALLATION OF GRANULAR BORROW, RETAINING WALLS AND STORM DRAIN PIPING LABELED AS EXISTING HAVE BEEN INSTALLED AS PART OF THIS PROJECT.

LEGEND:

- PROPERTY BOUNDARY LINE
- LOT LINE
- CENTERLINE
- - - EASEMENT
- - - BUILDING SETBACK
- STORM DRAIN PIPE
- LAND DRAIN PIPE
- EXISTING 10' CONTOUR
- STREET MONUMENT
- INLET BOX
- PREFERRED BUILDABLE AREA
- PROPOSED ASPHALT PAVEMENT
- PROPOSED PRIVATE DRIVE



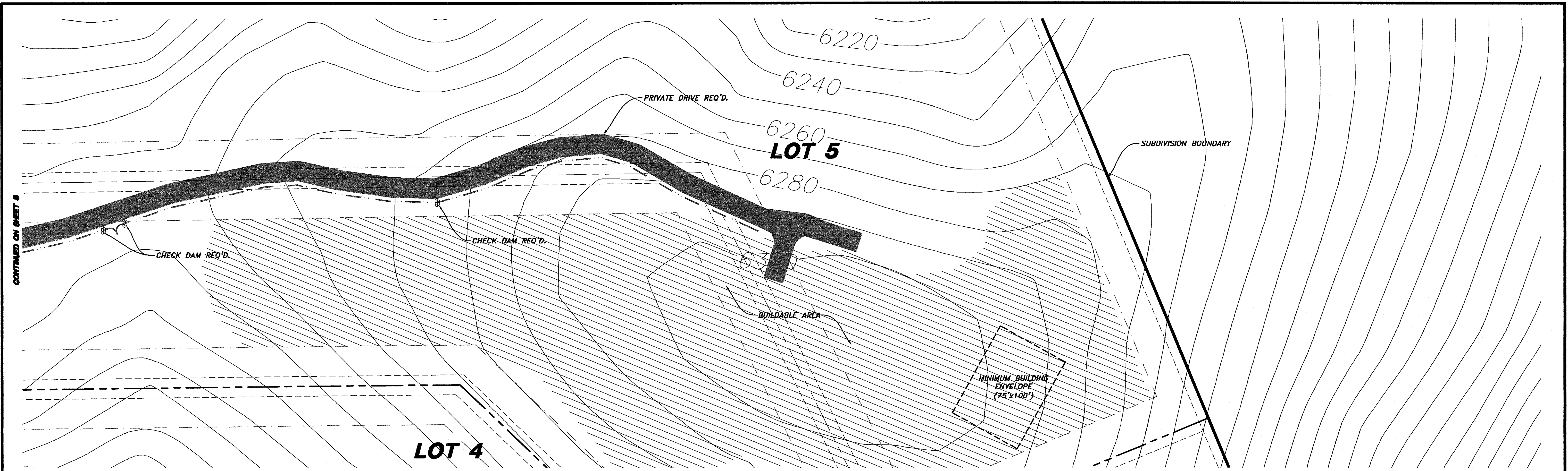
HANSEN & ASSOCIATES, INC.
 Consulting Engineers and Land Surveyors
 538 North Main
 67 East 100 North
 Brigham City, Utah 84302
 Ogden, Utah 84301
 (435) 723-3491
 (435) 723-7663
 (435) 752-9197
 (435) 752-8272

Drawn By: MBI Date: 9/28/2010
 Checked By: MBI
 Approved By: MBI
 Scale: 1"=50' HORZ. 1"=10' VERT.
 Drawing File: 07-128PP.dwg
 JOB NUMBER: 07-128

PLAN & PROFILE FOR
THE SANCTUARY
 A PART OF SECTION 3 & 4, T6N, R2E, AND
 A PART OF SECTION 34, T7N, R2E, S1E&M
 WEBER COUNTY, UTAH

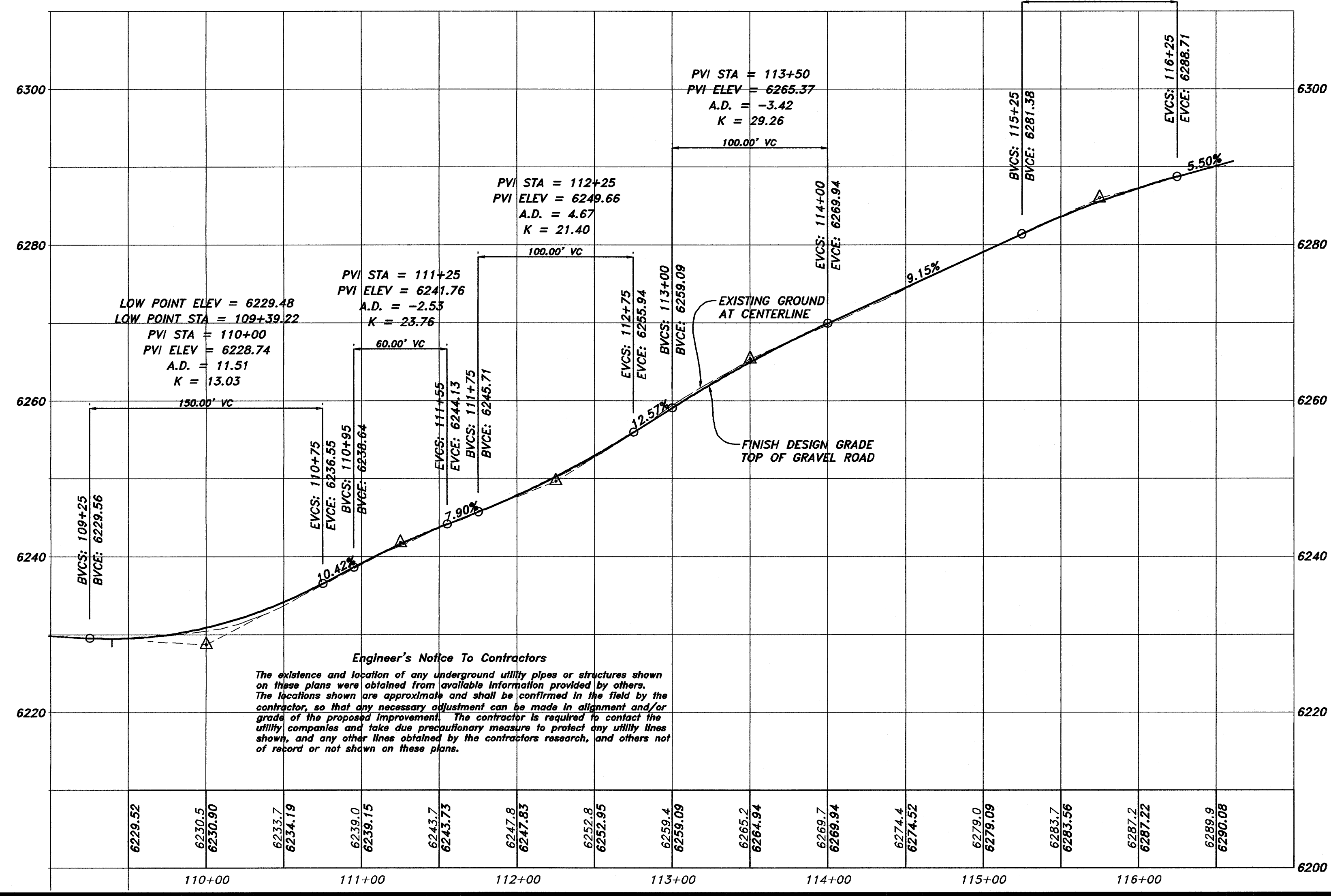
SHEET
8
 OF
10
 SHEETS

N:\2007\07-128 Sanctuary\Drawings\07-128PP.dwg 10-24-2012 11:27:47 AM

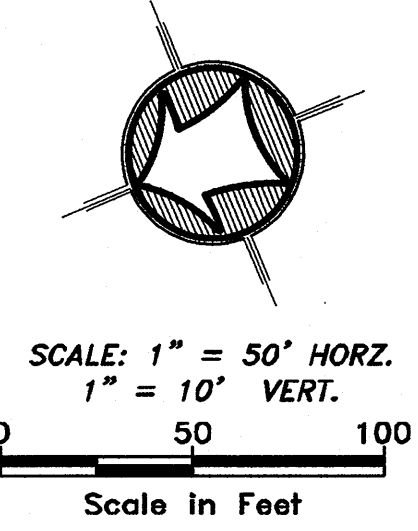


NOTE:
ROUGH GRADING, INSTALLATION OF GRANULAR BORROW, RETAINING WALLS AND STORM DRAIN PIPING LABELED AS EXISTING HAVE BEEN INSTALLED AS PART OF THIS PROJECT.

PVI STA = 115+75
PVI ELEV = 6285.96
A.D. = -3.65
K = 27.38



Engineer's Notice To Contractors
The existence and location of any underground utility pipes or structures shown on these plans were obtained from available information provided by others. The locations shown are approximate and shall be confirmed in the field by the contractor, so that any necessary adjustment can be made in alignment and/or grade of the proposed improvement. The contractor is required to contact the utility companies and take due precautionary measure to protect any utility lines shown, and any other lines obtained by the contractor's research, and others not of record or not shown on these plans.



- LEGEND:**
- PROPERTY BOUNDARY LINE
 - LOT LINE
 - CENTERLINE
 - - - EASEMENT
 - - - BUILDING SETBACK
 - STORM DRAIN PIPE
 - LAND DRAIN PIPE
 - EXISTING 10' CONTOUR
 - STREET MONUMENT
 - INLET BOX
 - ▨ PREFERRED BUILDABLE AREA
 - ▩ PROPOSED ASPHALT PAVEMENT
 - ▬ PROPOSED PRIVATE DRIVE

NOTICE!

EXISTING UTILITIES ARE SHOWN ON PLANS FOR THE CONVENIENCE OF THE CONTRACTOR ONLY. THE CONTRACTOR IS RESPONSIBLE FOR THE PROTECTION OF ALL UTILITIES. THE ENGINEER BEARS NO RESPONSIBILITY FOR UTILITIES NOT SHOWN OR SHOWN INCORRECTLY.

1-800-662-4111
UNDERGROUND SERVICE

Call Before You Dig

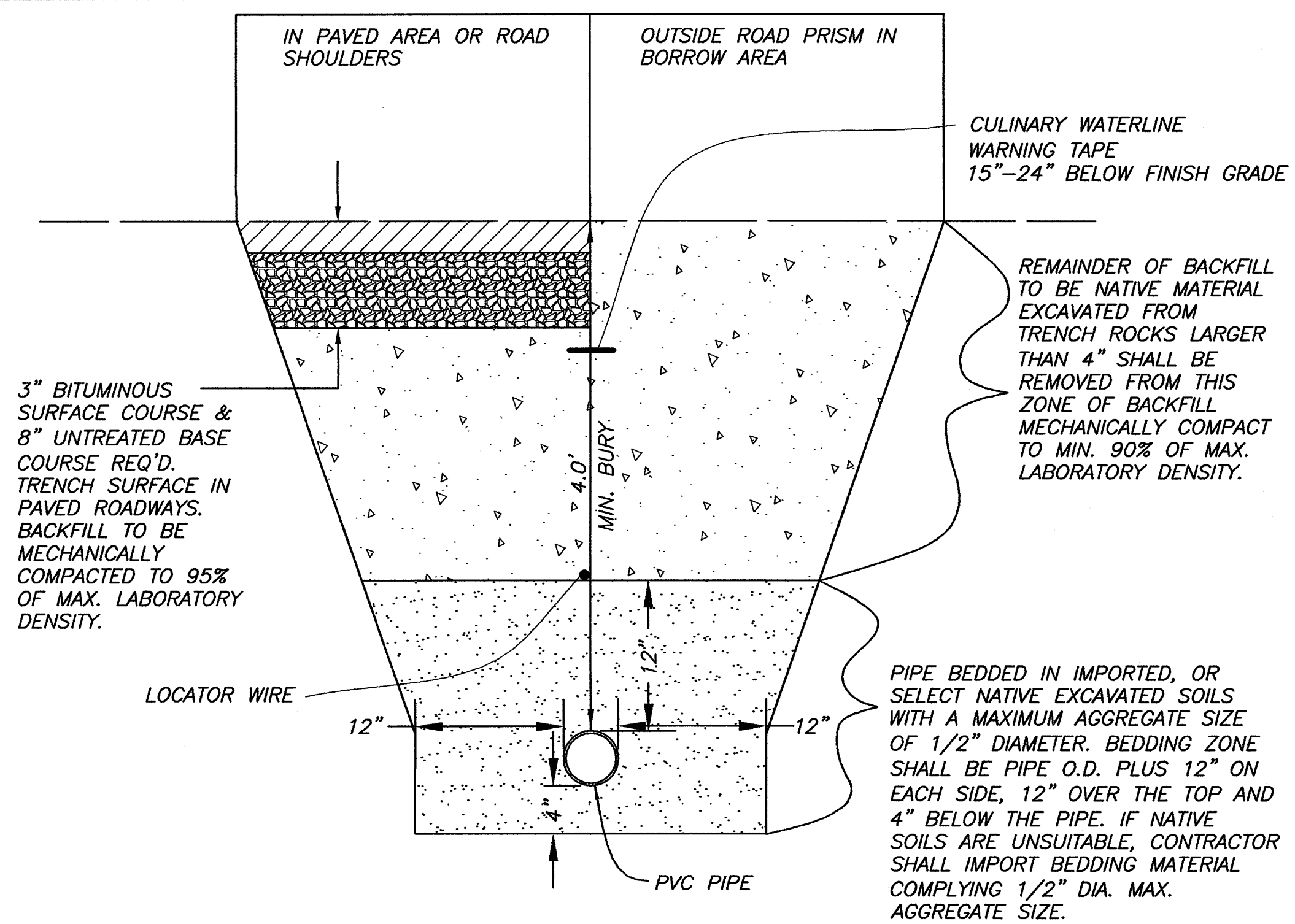
Drawn By: MBI Date: 9/29/2010
 Checked By: MBI
 Approved By: MBI
 Scale: 1"=50' HORZ 1"=10' VERT
 Drawing File: 07-128PP.dwg
 JOB NUMBER: 07-128

HANSEN & ASSOCIATES, INC.
 Consulting Engineers and Land Surveyors
 538 North Main
 67 East 100 North
 Brigham City, Utah 84302
 Logan, Utah 84321
 Ogden (435) 752-9197
 (435) 723-3491
 (801) 399-4905 (435) 752-8272

THE SANCTUARY
 PLAN & PROFILE FOR
 A PART OF SECTION 3 & 4, T6N, R2E, AND
 A PART OF SECTION 34, T7N, R2E, SLE&M
 WEBER COUNTY, UTAH

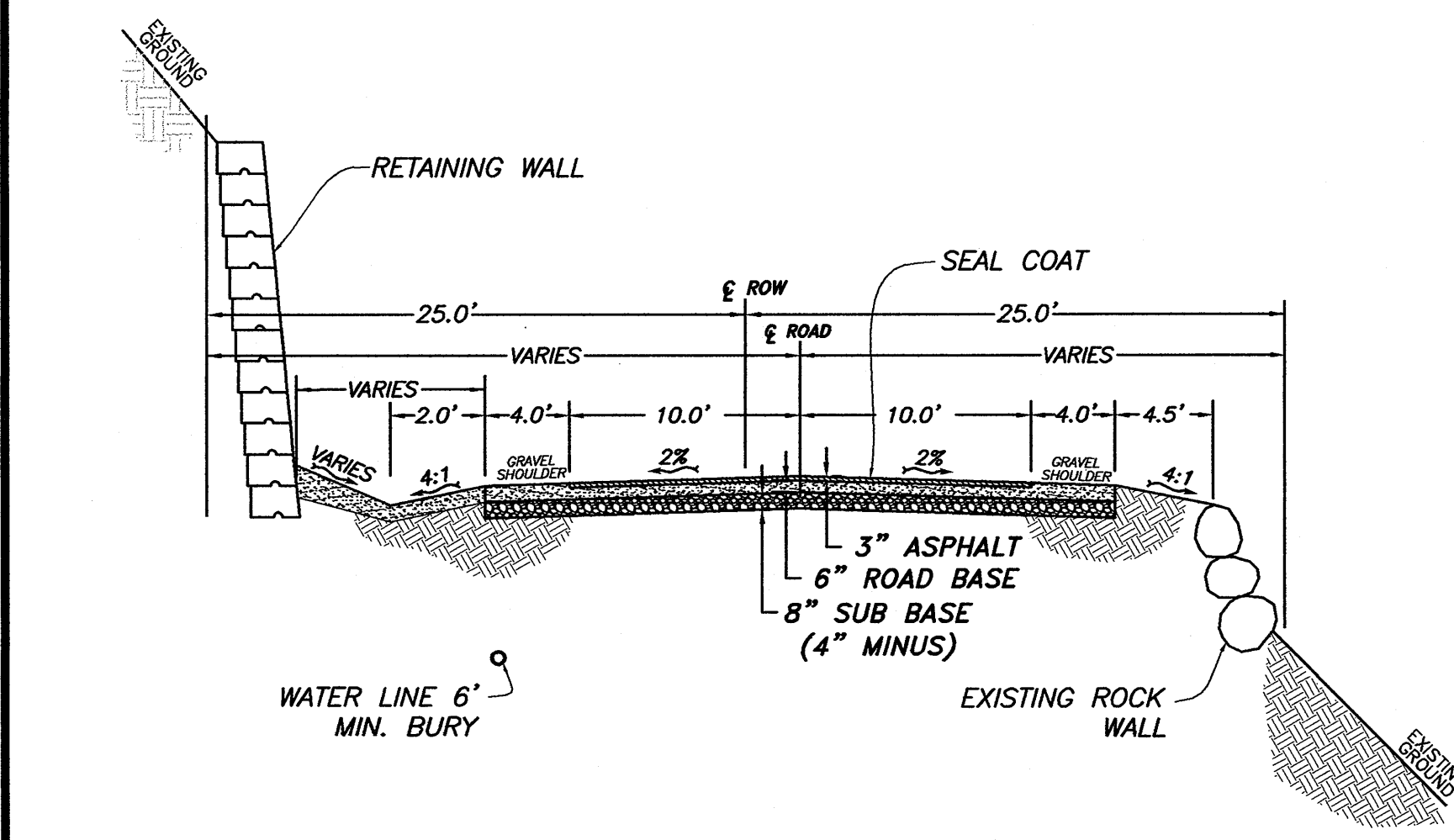
SHEET
9
 OF
10
 SHEETS

N:\2007\07-128_Sanctuary\Drawings\07-128PP.dwg REV 10-24-2012 11:28:20 AM



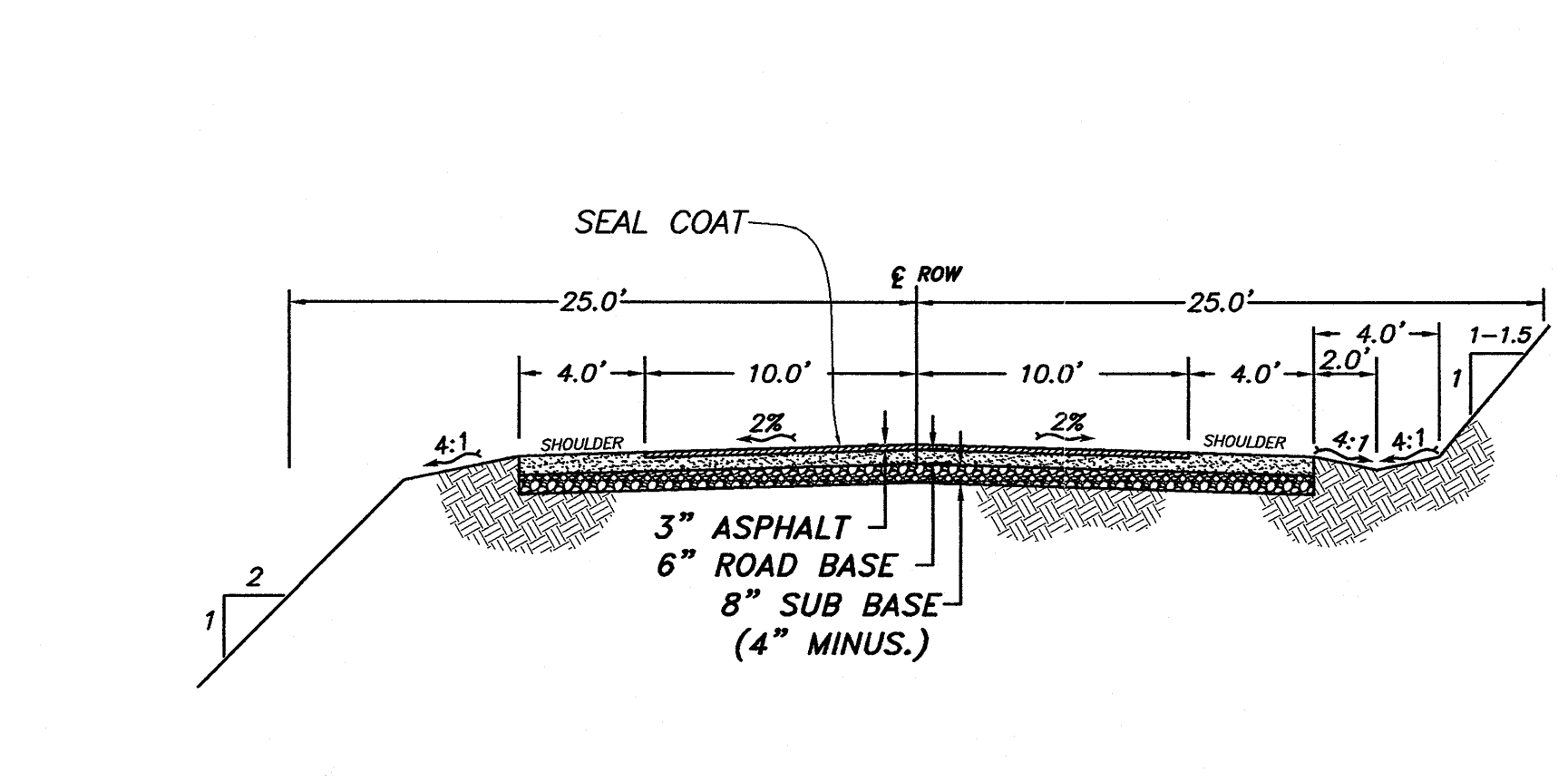
TYPICAL TRENCH SECTION

SCALE: NONE



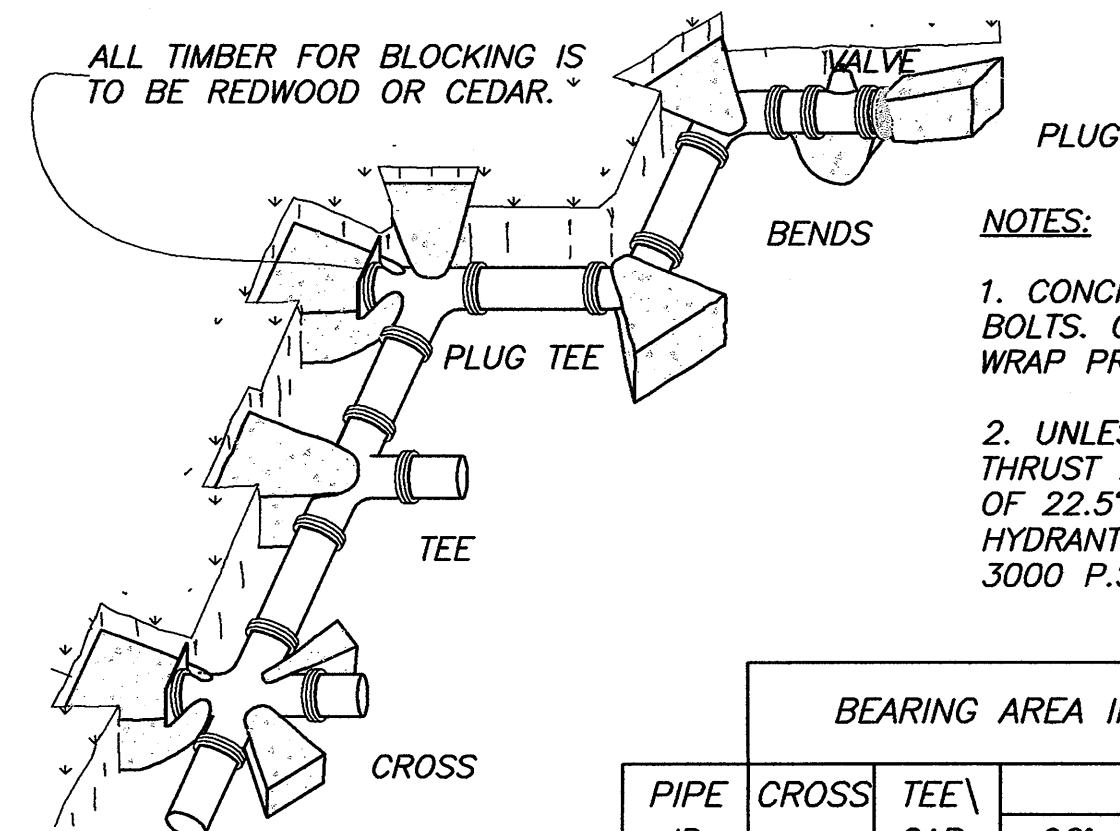
TYPICAL STREET SECTION DETAIL W/Redi-Rock WALL DETAIL

SCALE: NONE



TYPICAL PRIVATE ROADWAY SECTION

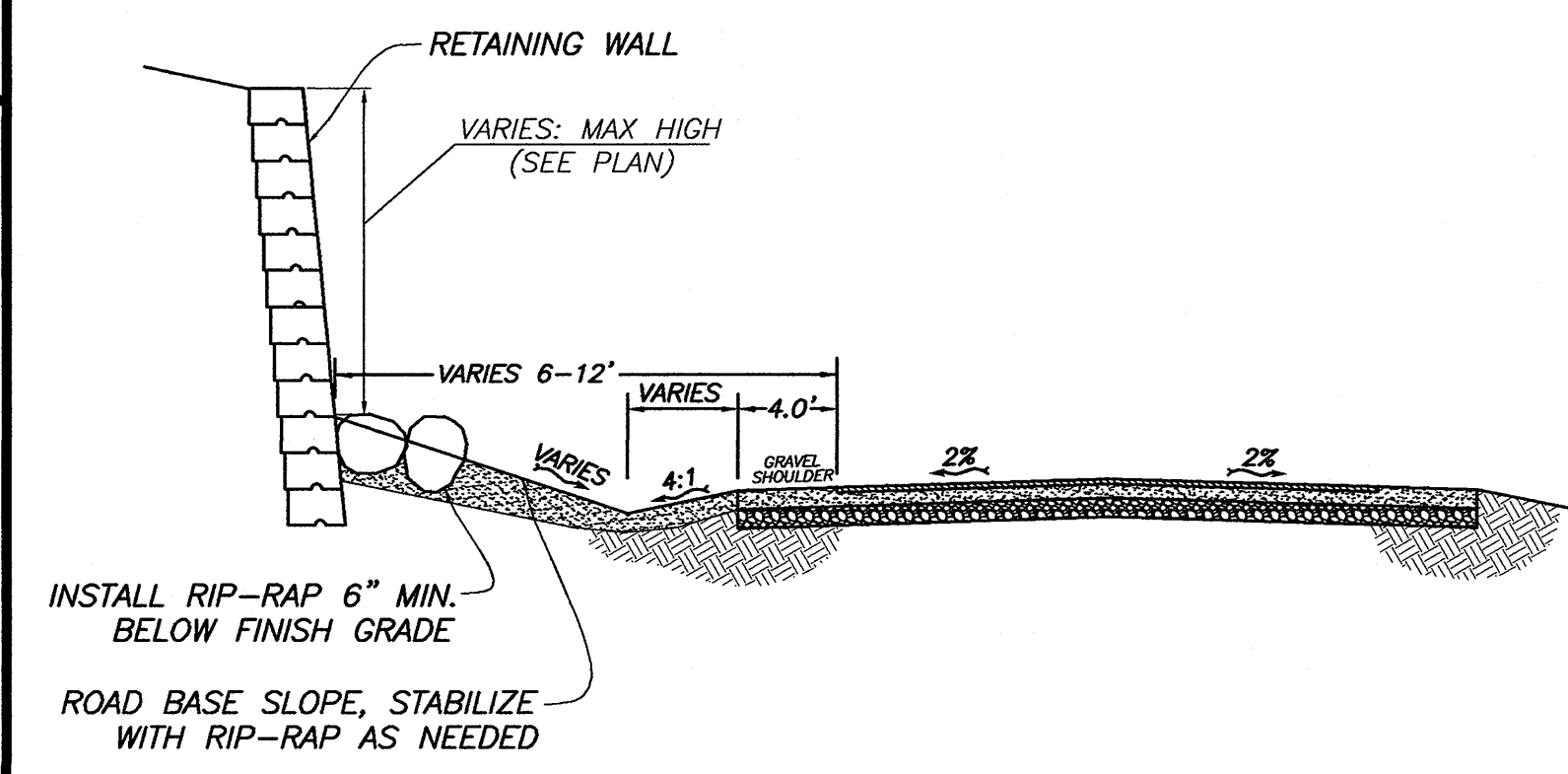
MAXIMUM SLOPE = 12%
SCALE: NONE



THRUST BLOCKING DETAIL

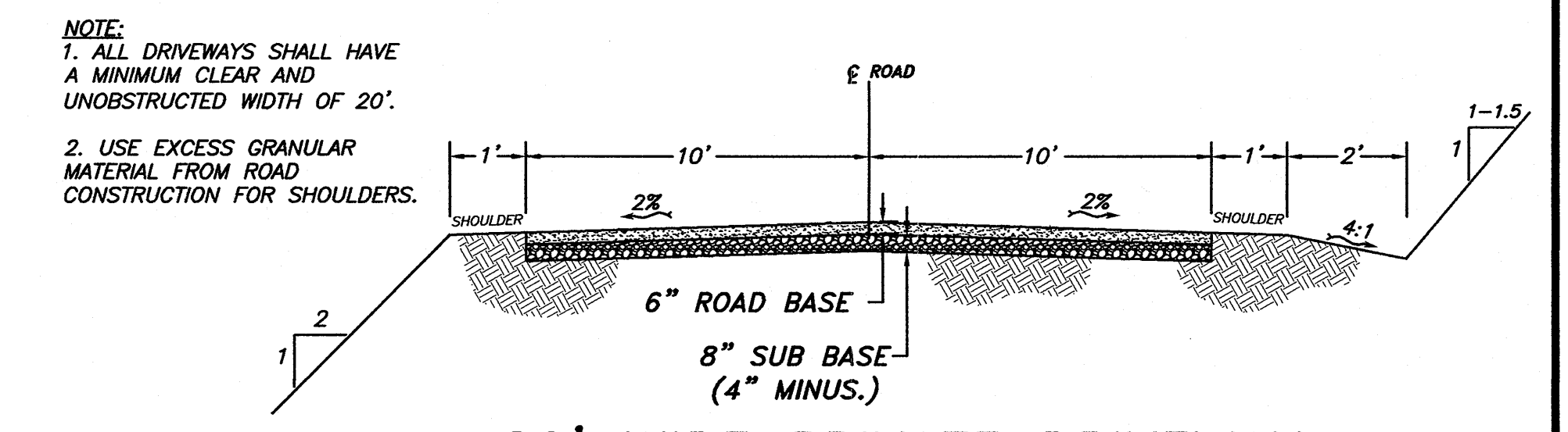
SCALE: NONE

PIPE ID	CROSS	TEE CAP	BEARING AREA IN SQUARE FEET				CONC./CU. YDS.		
			90°	45°	22.5°	11.25°	45°	22.5°	11.25°
4"	2	2	2	1	1	1	1.0	0.5	0.5
6"	2	3	4	2	1	1	1.5	1.0	0.5
8"	3	5	7	4	2	1	2.5	1.5	1.0
10"	4	8	10	6	3	1	4.0	2.5	1.5
12"	5	10	14	8	4	2	5.0	3.0	1.5
16"	10	20	24	12	7	4	8.5	4.5	2.5
18"	12	24	30	16	10	5	11.0	6.0	3.0
20"	14	28	40	20	12	6	14.0	8.0	4.0



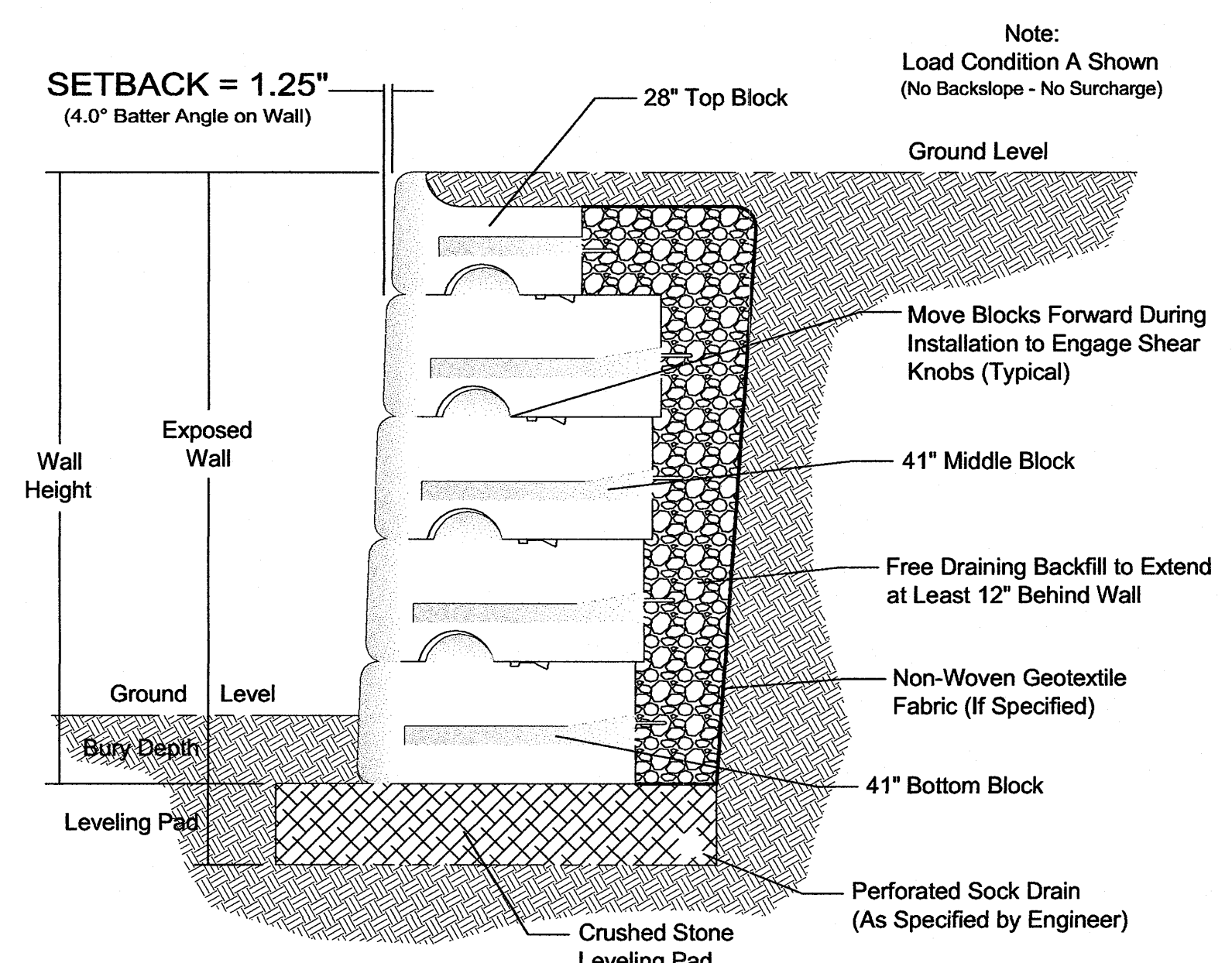
TYPICAL CROSS SECTION RIP-RAP STABILIZED SLOPE DETAIL

SCALE: NONE

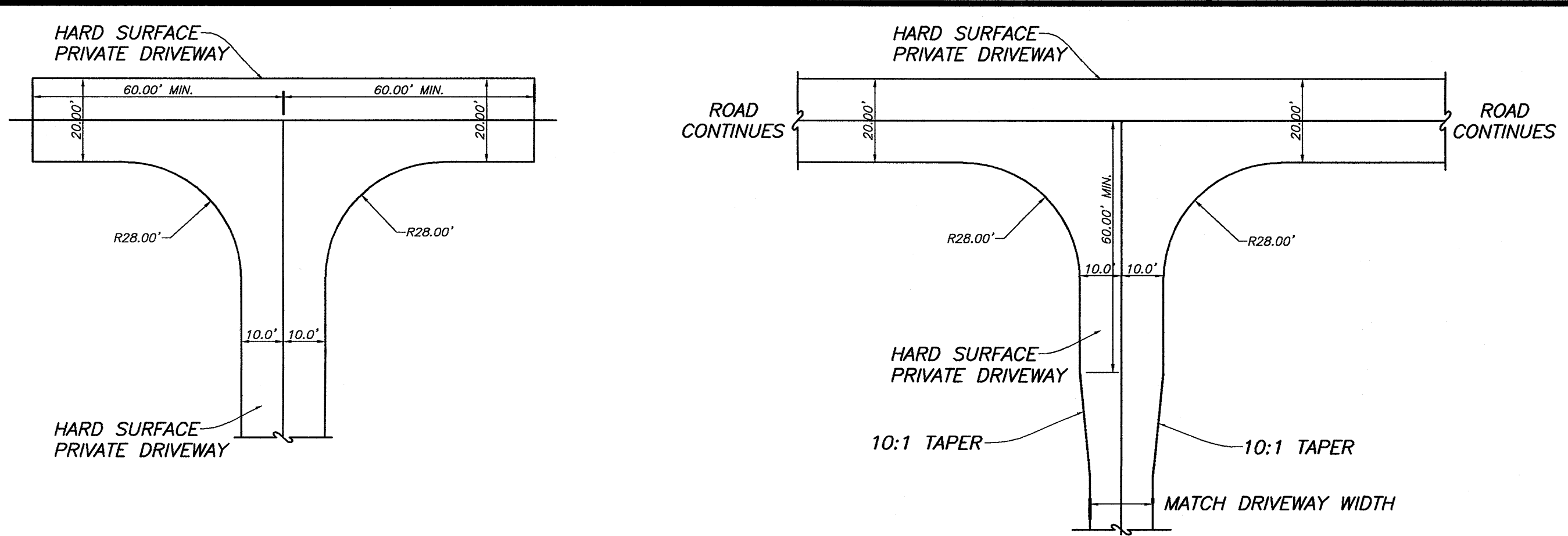


20' WIDE PRIVATE DRIVEWAY TYPICAL STREET SECTION

MAXIMUM SLOPE = 15%
SCALE: NONE



See Redi-Rock.com for Detailed Section Drawings of Each Condition Shown in the Design Charts



DEAD END HAMMER HEAD

NOT TO SCALE

STANDARD ROADWAY HAMMER HEAD

NOT TO SCALE

NOTE: FIRE TRUCK TURN AROUND IN RESIDENTIAL DRIVEWAY/GARAGE AREAS SHALL BE PROVIDED AS SHOWN AND HAVE A MINIMUM HARD SURFACE AREA FOR A VEHICLE TURNING RADIUS OF 28 FEET OF GREATER. IN LIEU OF A CIRCULAR TURN AROUND, AN APPROVED HAMMER HEAD TURN AROUND MAY BE USED.

NOTE: ROUGH GRADING, INSTALLATION OF GRANULAR BORROW, RETAINING WALLS AND STORM DRAIN PIPING LABELED AS EXISTING HAVE BEEN INSTALLED AS PART OF THIS PROJECT.

No.	Date	By	Revision
4.	2/8/2013	MBJ	Removed rock retaining walls as-built.
3.	11/19/12	MBJ	Removed trees from retaining wall planter.
2.	9/17/2012	MBJ	Revised street sections per W.C. Engineer.
1.	7/16/2012	MBJ	Revised drawing per W.C. Engineer review.

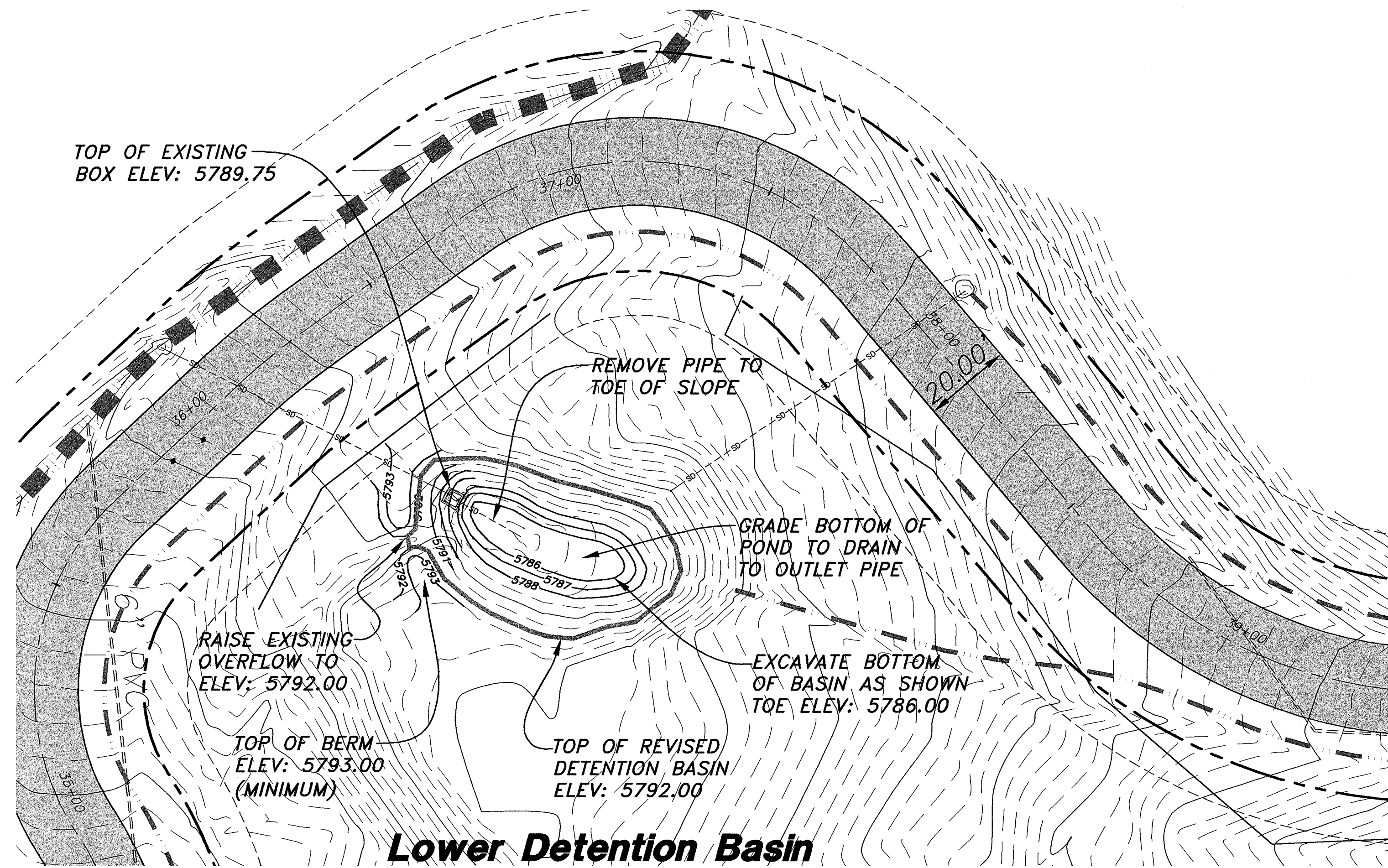
HANSEN & ASSOCIATES, INC.
Consulting Engineers and Land Surveyors
558 North Main
87 East 100 North
Brigham City, Utah 84302
Logan, Utah 84321
Ogden (435) 752-9197
Salt Lake City (801) 399-4905
Provo (435) 723-3491
P.O. Box 129
Logan, UT 84302

Drawn By: MJB Date: 9/28/2010
Designed By: SEM
Checked By: [blank]
Approved By: [blank]
Scale: NTS
Drawing File: 07-129PP.dwg
JOB NUMBER: 07-129

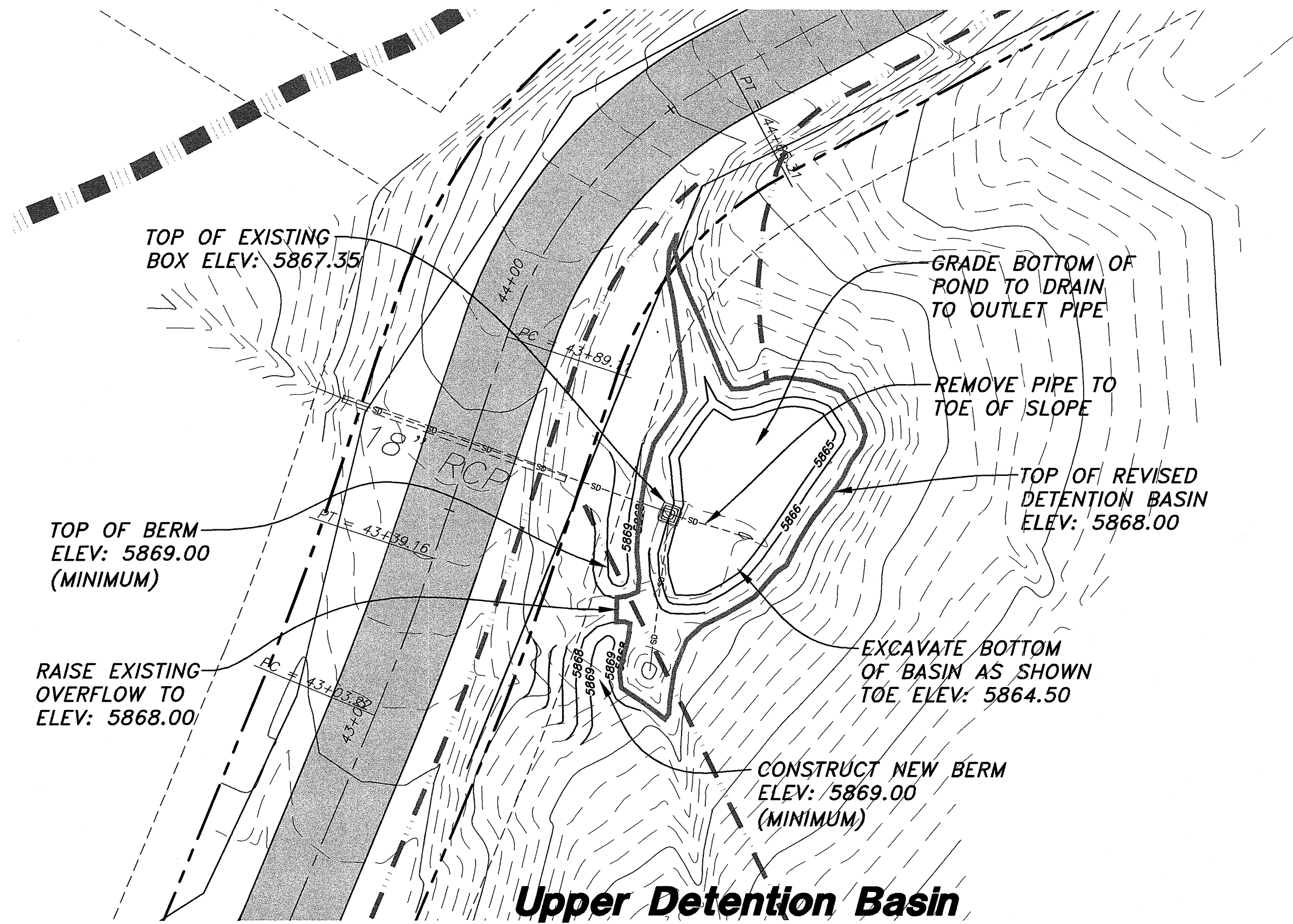
PLAN & PROFILE FOR
THE SANCTUARY
A PART OF SECTION 3 & 4, T6N, R2E, AND
A PART OF SECTION 34, T7N, R2E, SLB&M
WEBER COUNTY, UTAH

SHEET
10
OF
10
SHEETS

N:\2007\07-129 Sanctuary\Drawings\07-129PP REV 2-8-2013 V12.dwg, 2/8/2013 10:40:44 AM



Lower Detention Basin



Upper Detention Basin

NOTE:
 DETENTION BASIN LOCATIONS ARE APPROXIMATE.
 CONTRACTOR TO USE THE EXISTING GROUND
 TOPOGRAPHY AND VEGETATION TO LOCATE THE BASINS
 AND CONSTRUCT USING EXISTING MATERIALS. MAINTAIN
 REQUIRED VOLUME AND MINIMUM 12" OF FREEBOARD.

HANSEN & ASSOCIATES, INC. Consulting Engineers and Land Surveyors 558 North Main Brigham City, Utah 84302 87 East 100 North Brigham City, Utah 84321 (435) 733-3491 (435) 723-7663	Logan, Utah 84321 Ogden, Utah 84303 (435) 752-9197 (435) 752-8272 (801) 399-4905
Drawn By: MJB Designed By: SRM Checked By: Approved By: Scale: NTS Drawing File: 07-128PP.dwg JOB NUMBER: 07-128	Date: 9/28/2010
1. 7/16/2012 MJB / Added As-Built Dates per W.C. Engineer review 2. 9/17/2012 MJB / Revised Drawing per W.C. Engineer review	No. 1 Date By

DETENTION BASIN RE-DESIGN FOR
THE SANCTUARY
 A PART OF SECTION 3 & 4, T6N, R2E, AND
 A PART OF SECTION 34, T7N, R2E, SLB&M
 WEBER COUNTY, UTAH

SHEET	1
OF	1
SHEETS	