

GENERAL NOTES:

1. STRUCTURE HAS BEEN DESIGNED IN ACCORDANCE WITH THE 2015 INTERNATIONAL RESIDENTIAL CODE AND THE 2015 INTERNATIONAL BUILDING CODE.
2. ALL MATERIALS AND CONSTRUCTION SHALL BE IN ACCORDANCE WITH THE ABOVE CODES AT THE TIME OF MANUFACTURE.
3. DRAWINGS SHALL NOT BE SCALED FOR DIMENSIONS.
4. STRUCTURES ARE DESIGNED FOR LOCATIONS THAT HAVE A 3 SECOND WIND GUST OF 115 MPH FOR RISK CATEGORY II STRUCTURES PER ASCE 7-10 FIGURE 26.5-1A. STRUCTURES SHOULD NOT BE USED IN OTHER LOCATIONS.
5. SIDING FASTENERS SHALL NOT BE INSTALLED IN PANEL SIDING GROOVES IN THE FIELD OF THE PANEL OR WHEN THE SIDING GROOVES OCCUR AT CUT EDGES OF THE SIDING PANEL.
6. STRUCTURES ARE DESIGNED FOR LOCATIONS THAT ARE NOT IN FLOOD HAZARD AREAS. STRUCTURES SHOULD NOT BE USED IN OTHER LOCATIONS.
7. STRUCTURES ARE DESIGNED FOR LOCATIONS THAT HAVE A MAXIMUM GROUND SNOW LOAD OF 100 PSF AND A PARTIALLY EXPOSED TERRAIN CATEGORY AND SHOULD NOT BE USED IN OTHER LOCATIONS.
8. STRUCTURES SHOULD HAVE 25 YEAR RATED FIBERGLASS/ ASPHALT SHINGLES OR 29 GA METAL ROOFING OVER WOOD SHEATHING.
9. WOOD FRAMING SHALL COMPLY WITH THE ANSI/AWC "NATIONAL DESIGN SPECIFICATION (NDS) FOR WOOD CONSTRUCTION", 2015.
10. ALL ROOF DECKING IS TO BE 7/16" O.S.B.
11. ALL SIDING IS TO BE 1/2" or 5/8" TREATED T1-11 PLYWOOD.

OLD HICKORY SHEDS, LLC

P.O. BOX 331973
MURFREESBORO, TN 37133

DESIGN CRITERIA:

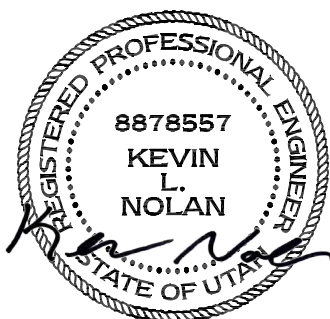
1. DESIGN LOADS ARE IN ACCORDANCE WITH THE INTERNATIONAL BUILDING CODE, 2015 RISK CATEGORY II
 2. LIVE LOADS:
FLOOR: 40 PSF
ROOF: 20 PSF
 3. SNOW LOADS ARE BASED ON THE FOLLOWING:
GROUND SNOW LOAD, $P_g = 100$ PSF
FLAT ROOF SNOW LOAD, $P_f = 84$ PSF
EXPOSURE FACTOR, $C_e = 1.0$
IMPORTANCE FACTOR, $I = 1.0$
THERMAL FACTOR, $C_t = 1.2$
 4. WIND LOADS ARE BASED ON THE FOLLOWING:
DESIGN WIND SPEED: $V = 115$ MPH
RISK CATEGORY II
EXPOSURE CATEGORY B
INTERNAL PRESSURE COEFFICIENT:
 $GC_{pi} = \pm 0.18$
COMPONENTS & CLADDING:
ROOF-ZONE 1 = 10.0, -13.1 PSF
ROOF-ZONE 2 = 10.0, -22.7 PSF
ROOF-ZONE 3 = 10.0, -33.6 PSF
WALL-ZONE 4 = 14.3, -15.5 PSF
WALL-ZONE 5 = 14.3, -19.1 PSF
- NOTE: C&C WIND PRESSURES SHOWN ARE FOR A 10 SQUARE FOOT EFFECTIVE AREA (A_e) AND MAY BE REDUCED FOR LARGER AREAS AS ALLOWED BY CODE.
5. SEISMIC LOADS ARE BASED ON THE FOLLOWING:
RISK CATEGORY II
SITE CLASS D
DESIGN CATEGORY D

PIERS (IF REQUIRED):

1. PIERS ARE NOT REQUIRED WHEN THE SKIDS CAN BE SUPPORTED ON FIRM, LEVEL GROUND.
2. PIERS SHALL TYPICALLY BE 16"x16" CONCRETE BLOCKS, DRY STACKED TO A MAXIMUM HEIGHT OF 3 FEET. TIE BLOCKS BY ALTERNATING THE DIRECTION OF BLOCKS ON EACH ROW. TREATED LUMBER WITH A MINIMUM BEARING AREA OF APPROXIMATELY 256 SQUARE INCHES MAY BE USED FOR PIERS LESS THAN 12" HIGH.
3. OLD HICKORY SHEDS IS NOT RESPONSIBLE FOR THE PREPARATION OF THE PROPOSED SITE OR DETERMINATION OF THE SITE'S SUITABILITY TO SUPPORT THE PROPOSED STRUCTURE. IT IS THE PROPERTY OWNER'S RESPONSIBILITY TO DETERMINE IF SITE CONDITIONS ARE SUITABLE TO SUPPORT THE STRUCTURE.
4. PIERS SHOWN ON SHEET S-1 ARE CONCEPTUAL AND MAY NOT REFLECT ACTUAL CONDITIONS. THE PIER LAYOUT MAY BE ADJUSTED AS NEEDED BASED ON SITE CONDITIONS, PROVIDED THAT THE MAXIMUM SPACING SHOWN IS NOT EXCEEDED.

ITEMS BY OTHERS:

- THE FOLLOWING ITEMS ARE TO BE SUPPLIED AND INSTALLED BY OTHERS. THESE ITEMS MAY BE SUBJECT TO LOCAL JURISDICTION APPROVAL. OLD HICKORY SHEDS IS NOT RESPONSIBLE FOR THESE ITEMS.
1. THE COMPLETE FOUNDATION AND TIE-DOWN SYSTEM
 2. RAMPS, STAIRS, AND GENERAL ACCESS
 3. ELECTRICAL SERVICE HOOKUP



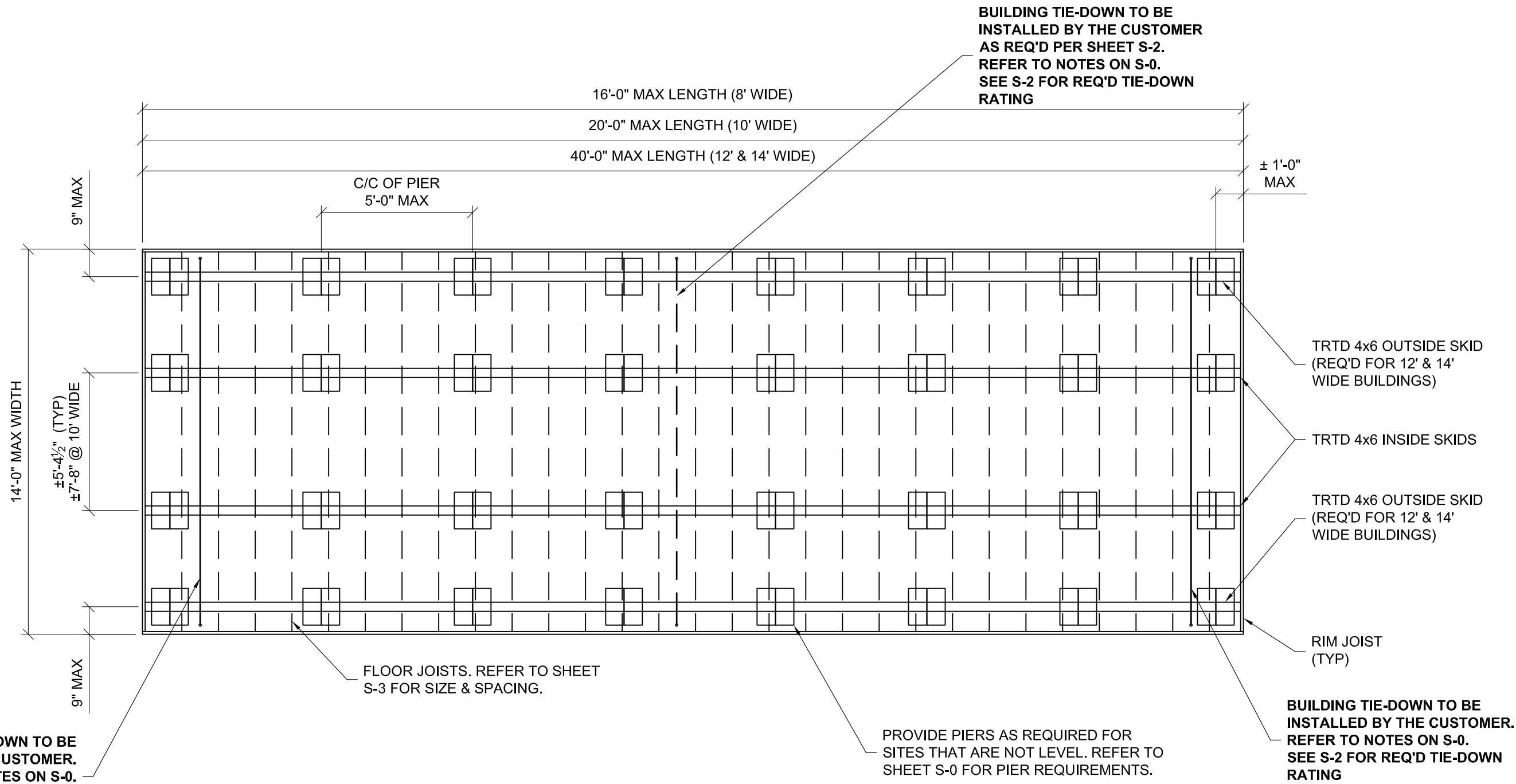
11-28-16

LOFTED BARN--UTAH--SNOW=100PSF--IBC 2015



PROJECT NO:	
DATE:	11-28-2016
DRAWN BY:	KLN
CHECKED BY:	KLN
REVISION:	

SHEET NUMBER	S-0-LB
SCALE: NONE	



FLOOR FRAMING PLAN

LOFTED BARN--UTAH--SNOW=100PSF--IBC 2015



11-28-16



PROJECT NO:	
DATE:	11-28-2016
DRAWN BY:	KLN
CHECKED BY:	KLN
REVISION:	

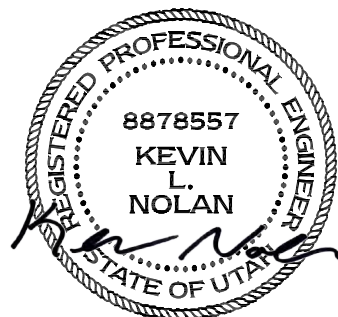
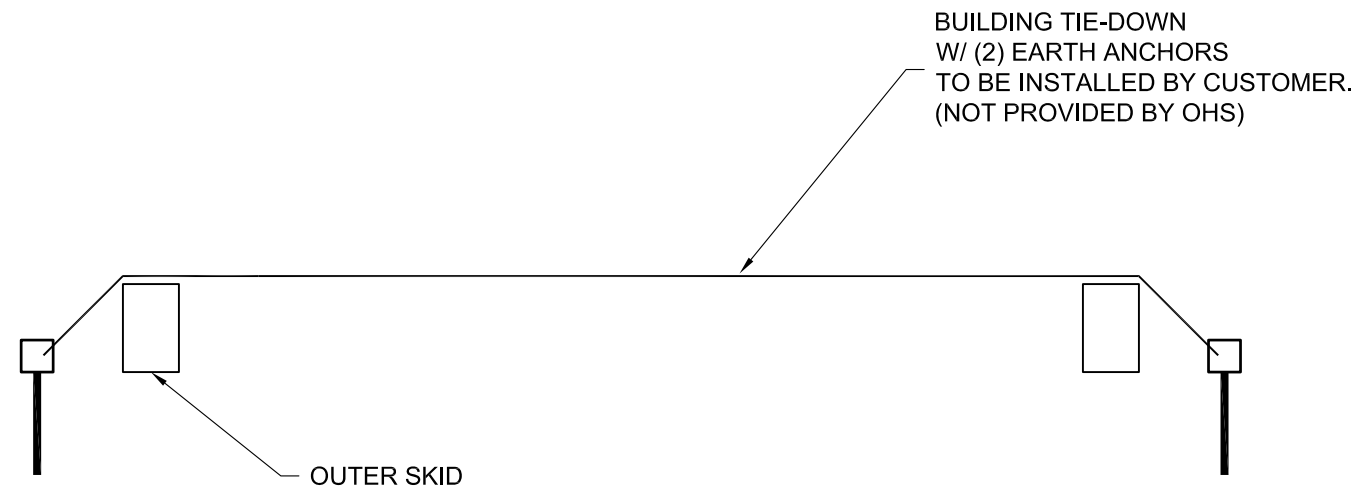
SHEET NUMBER	S-1-LB
SCALE:	NOT TO SCALE

UPLIFT ANCHORAGE SCHEDULE

BLDG LENGTH	8' WIDE BLDGS		10' WIDE BLDGS		12' WIDE BLDGS		14' WIDE BLDGS	
	NUMBER OF TIE-DOWNS	REQ'D ANCHOR CAPACITY	NUMBER OF TIE-DOWNS	REQ'D ANCHOR CAPACITY	NUMBER OF TIE-DOWNS	REQ'D ANCHOR CAPACITY	NUMBER OF TIE-DOWNS	REQ'D ANCHOR CAPACITY
10'-0"	2	550#	2	550#	-	-	-	-
12'-0"	3	450#	3	450#	-	-	-	-
14'-0"	3	500#	3	550#	-	-	-	-
16'-0"	3	600#	3	600#	3	400#	-	-
18'-0"	-	-	4	500#	3	450#	-	-
20'-0"	-	-	4	550#	3	500#	3	450#
22'-0"	-	-	-	-	3	550#	3	500#
24'-0"	-	-	-	-	3	600#	3	550#
26'-0"	-	-	-	-	4	500#	3	600#
28'-0"	-	-	-	-	4	550#	4	500#
30'-0"	-	-	-	-	4	550#	4	500#
32'-0"	-	-	-	-	4	600#	4	550#
34'-0"	-	-	-	-	5	500#	4	600#
36'-0"	-	-	-	-	5	550#	5	500#
38'-0"	-	-	-	-	5	600#	5	550#
40'-0"	-	-	-	-	5	600#	5	550#

NOTES:

- 1) TIE-DOWNS AND EARTH ANCHORS ARE TO BE SUPPLIED AND INSTALLED BY THE CUSTOMER. OLD HICKORY SHEDS IS NOT RESPONSIBLE FOR THE TIE-DOWN SYSTEM. REFER TO NOTE SHEET S-0.
- 2) THE SCHEDULE INDICATES THE RECOMMENDED NUMBER OF BUILDING TIE-DOWNS TO BE INSTALLED BY THE CUSTOMER. EACH TIE-DOWN HAS TWO EARTH ANCHORS. EACH EARTH ANCHOR IS TO BE RATED FOR AT LEAST THE CAPACITY SHOWN IN THE SCHEDULE.
- 3) AT A MINIMUM, PROVIDE A TIE-DOWN NEAR EACH END OF THE BUILDING. REMAINING TIE-DOWNS (IF REQUIRED) SHOULD BE EVENLY SPACED ALONG THE ENTIRE LENGTH OF BUILDING.



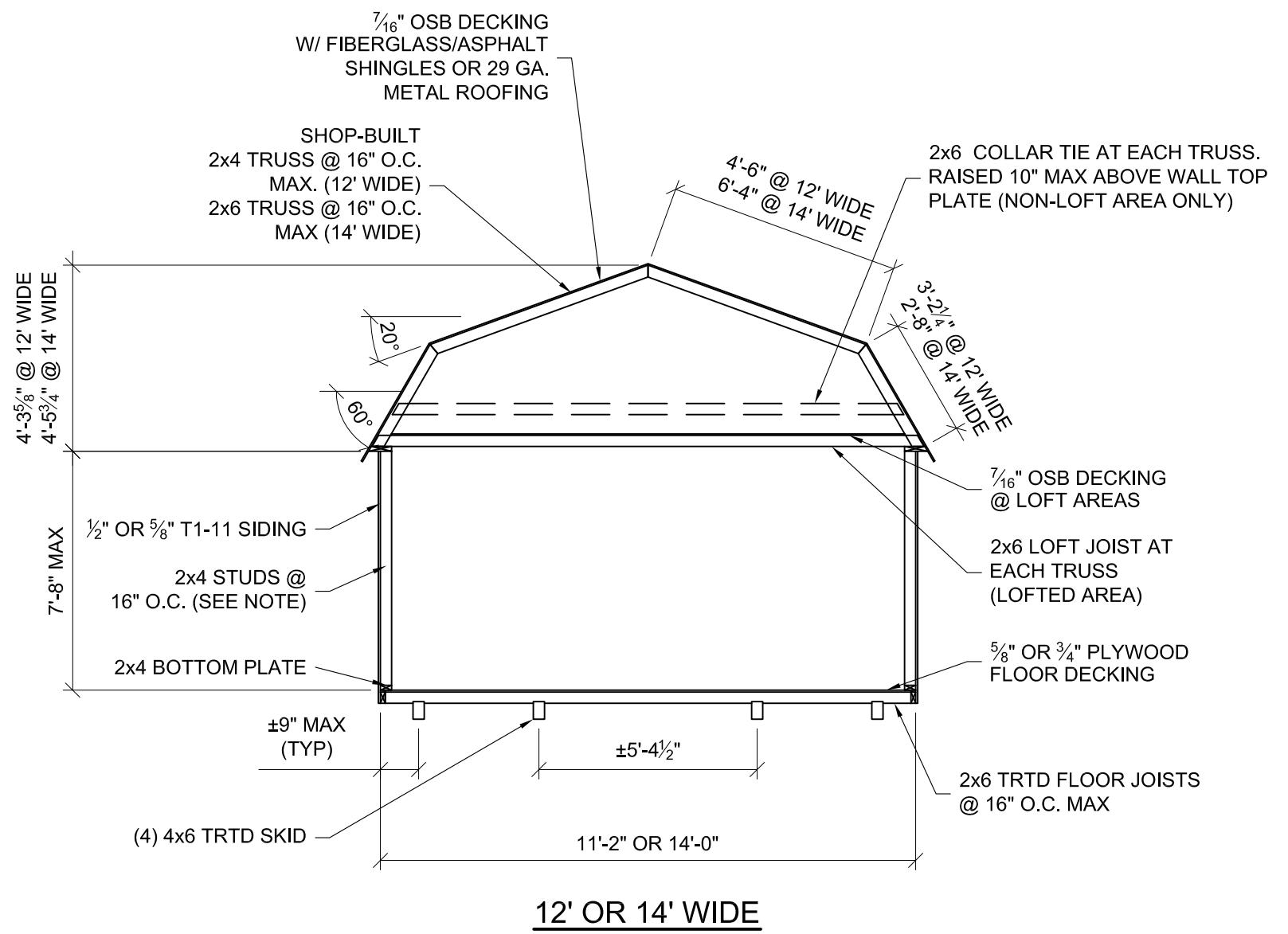
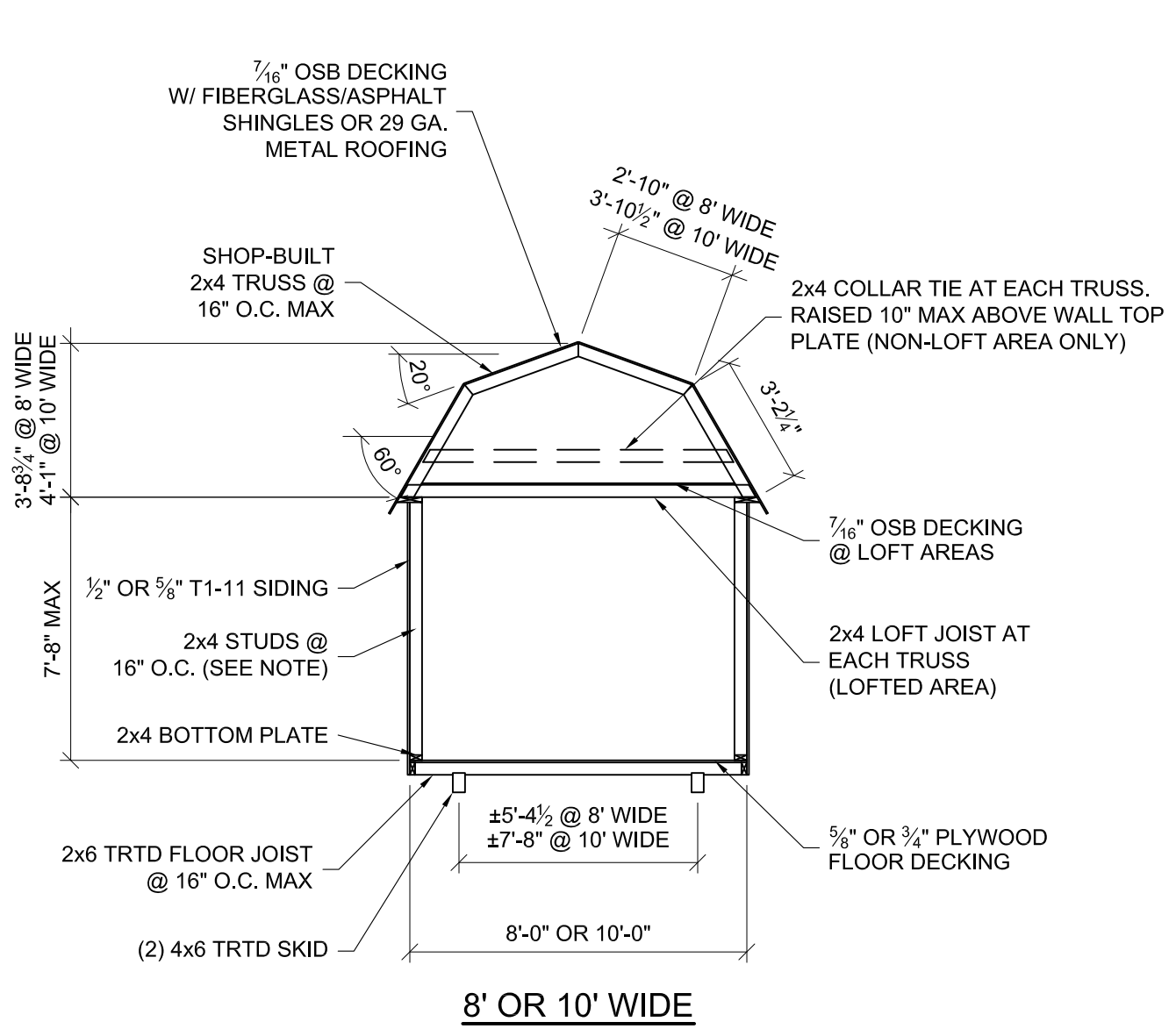
11-28-16

LOFTED BARN--UTAH--SNOW=100PSF--IBC 2015



PROJECT NO:	
DATE:	11-28-2016
DRAWN BY:	KLN
CHECKED BY:	KLN
REVISION:	

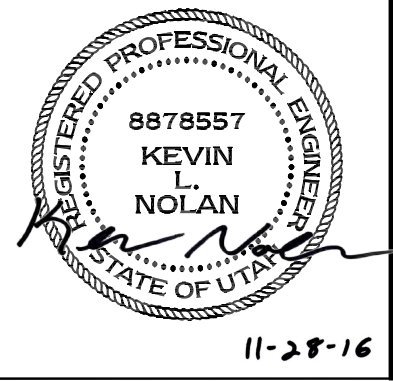
SHEET NUMBER
S-2-LB
SCALE: NOT TO SCALE



BUILDING SECTION

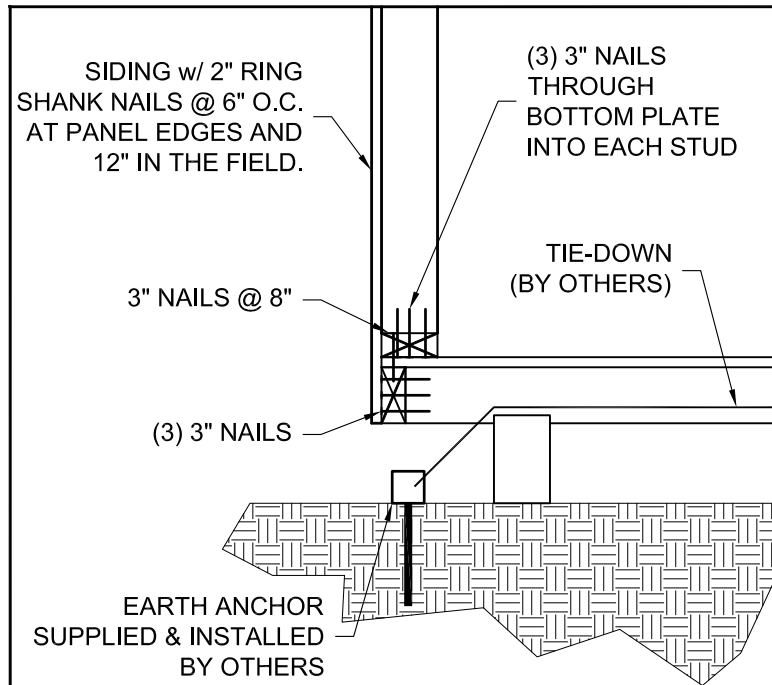
NOTE: WALL STUDS ARE PERMITTED TO BE SPACED AT 24" O.C. PROVIDED A DOUBLE TOP PLATE IS USED ALONG THE SIDE WALLS.

LOFTED BARN--UTAH--SNOW=100PSF--IBC 2015

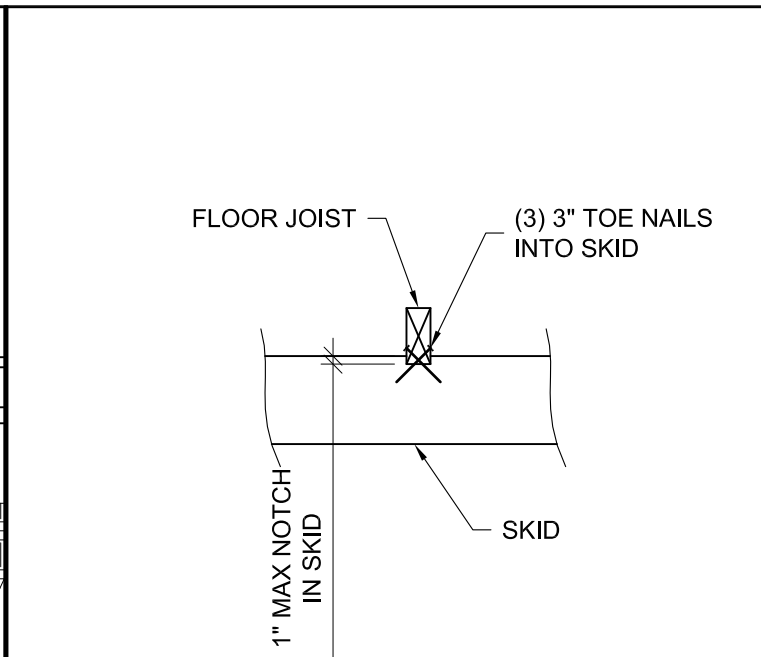


PROJECT NO:	
DATE:	11-28-2016
DRAWN BY:	KLN
CHECKED BY:	KLN
REVISION:	

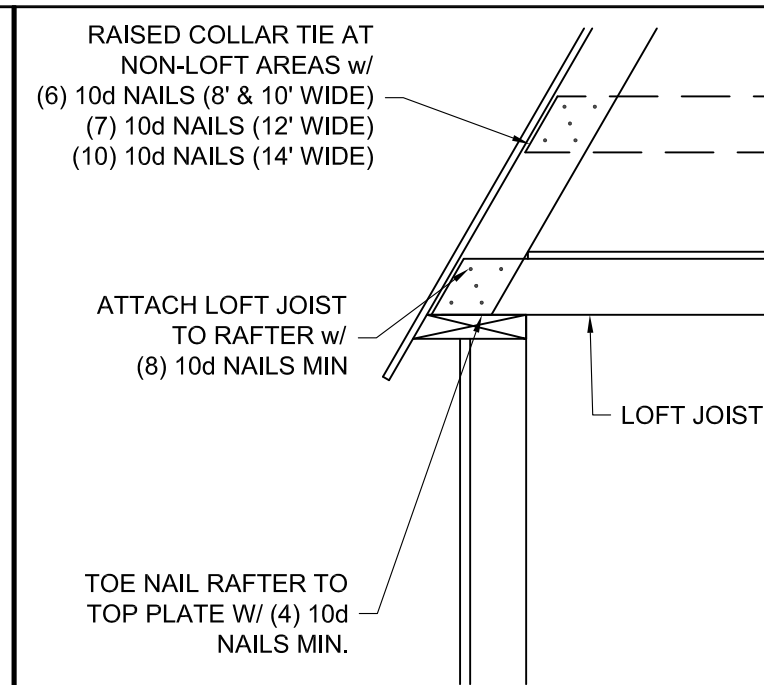
SHEET NUMBER	S-3-LB
SCALE:	NOT TO SCALE



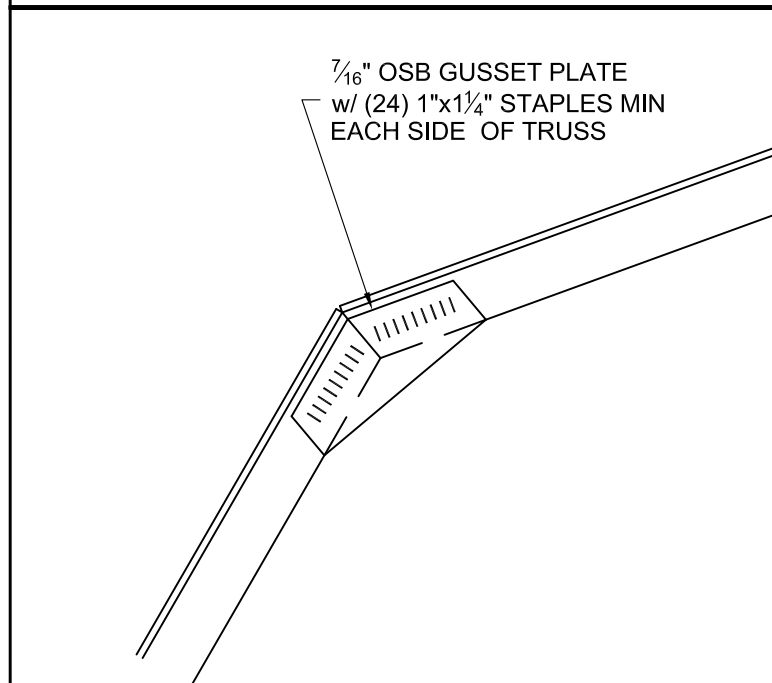
1-TYPICAL DETAIL



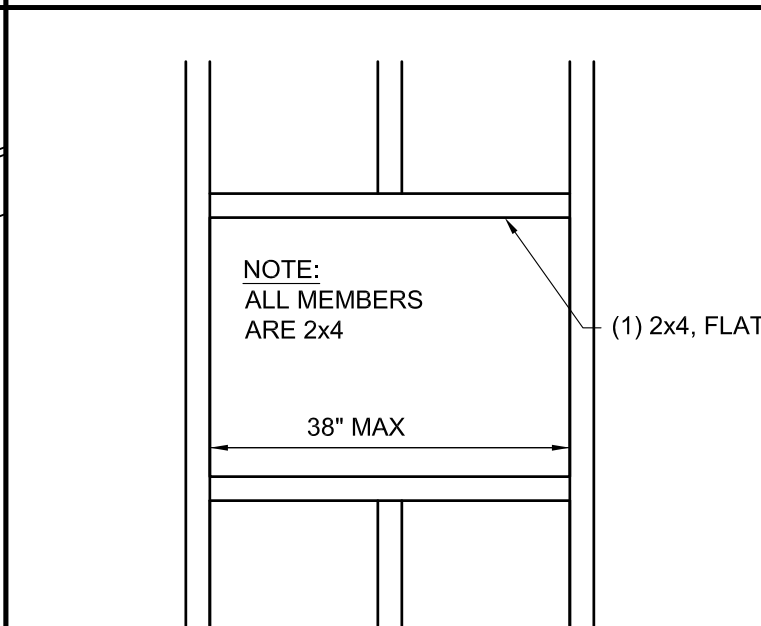
2-FLOOR JST TO SKID DETAIL



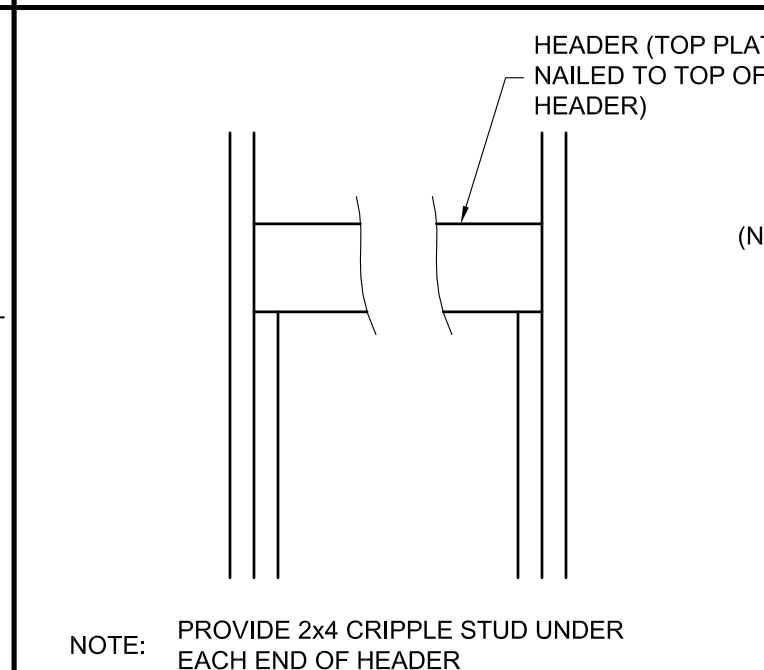
3-LOFT EAVE DETAIL



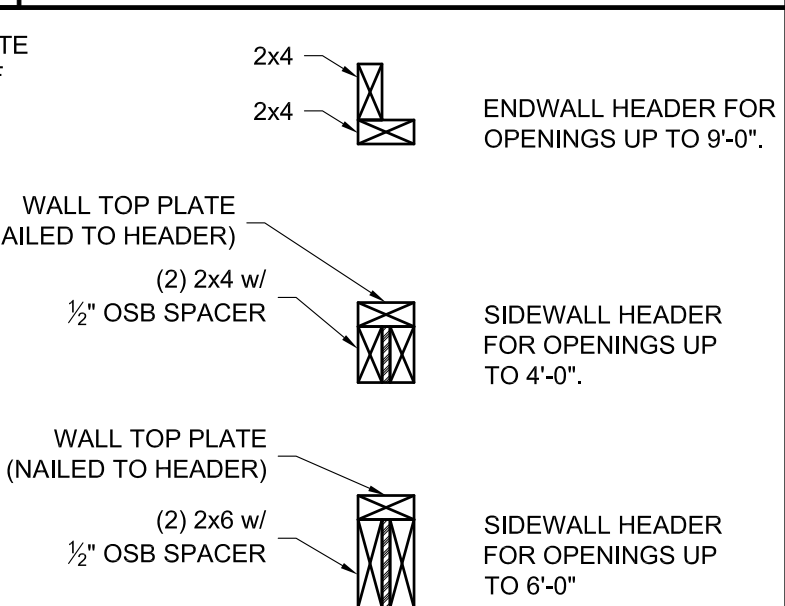
4-RAFTER SPLICE DETAIL



5-TYP ENDWALL WINDOW FRAMING



6-HEADER SCHEDULE



11-28-16

LOFTED BARN--UTAH--SNOW=100PSF--IBC 2015



PROJECT NO:	
DATE:	11-28-2016
DRAWN BY:	KLN
CHECKED BY:	KLN
REVISION:	

SHEET NUMBER	S-4-LB
SCALE:	1"=1'-0"